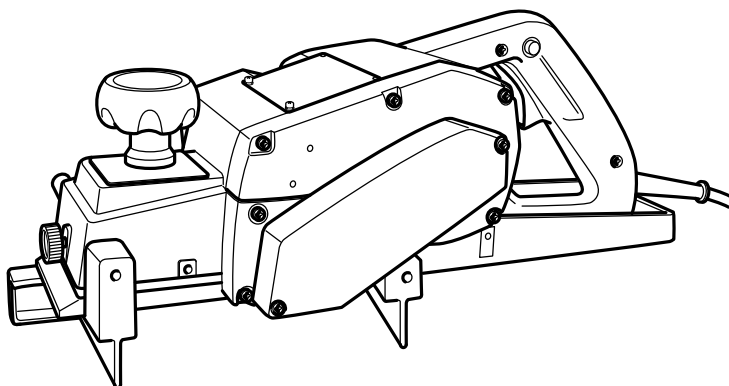
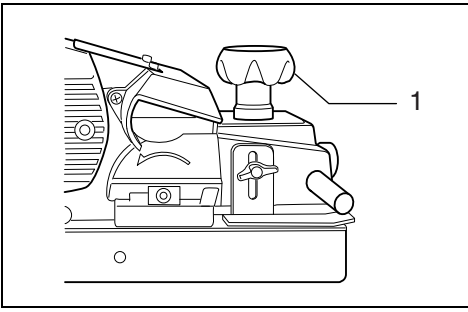




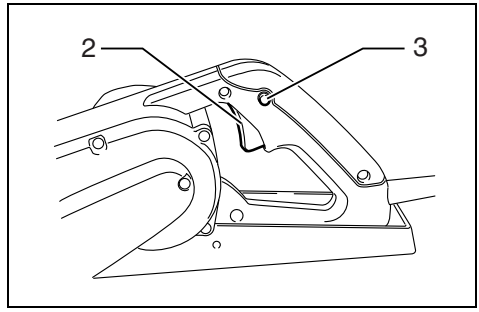
<b>GB</b>	<b>Power Planer</b>	<b>Instruction Manual</b>
<b>F</b>	<b>Rabot</b>	<b>Manuel d'instructions</b>
<b>D</b>	<b>Falzhobel</b>	<b>Betriebsanleitung</b>
<b>I</b>	<b>Pialla</b>	<b>Istruzioni per l'uso</b>
<b>NL</b>	<b>Schaafmachine</b>	<b>Gebruiksaanwijzing</b>
<b>E</b>	<b>Cepillo</b>	<b>Manual de instrucciones</b>
<b>P</b>	<b>Plaina</b>	<b>Manual de instruções</b>
<b>DK</b>	<b>Maskinhøvl</b>	<b>Brugsanvisning</b>
<b>GR</b>	<b>Ηλεκτρική πλάνη</b>	<b>Οδηγίες χρήσεως</b>

# 1100

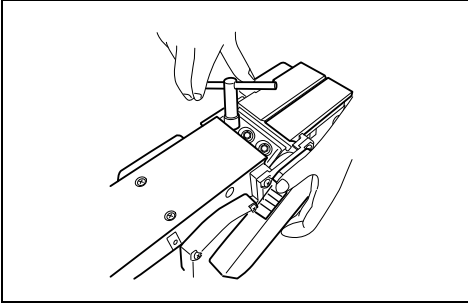




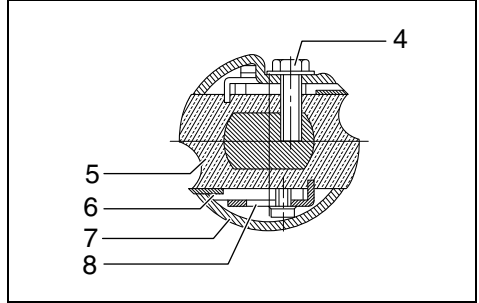
**1** 003586



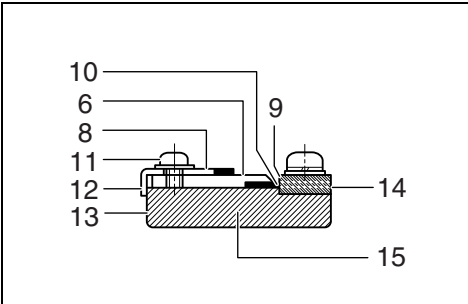
**2** 005985



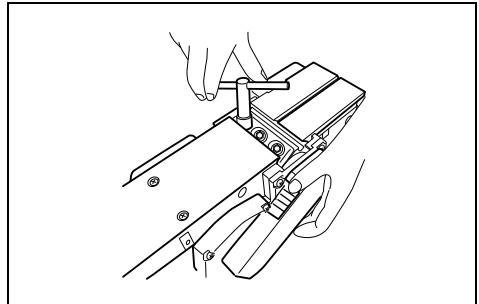
**3** 010666



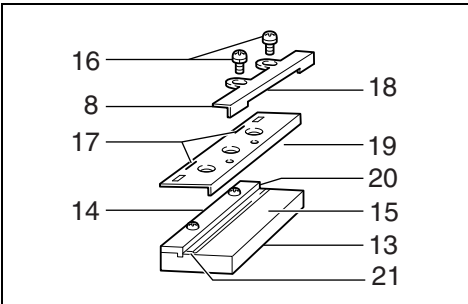
**4** 013185



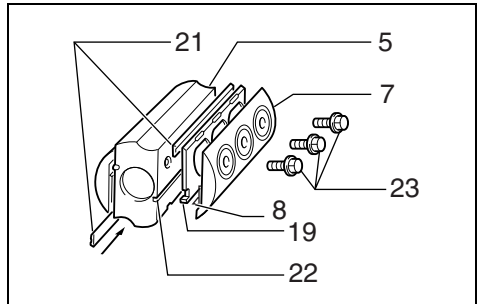
**5** 002556



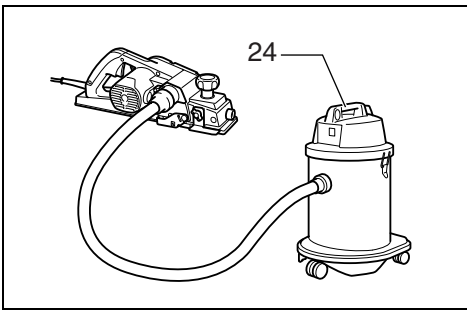
**6** 010666



**7** 002565

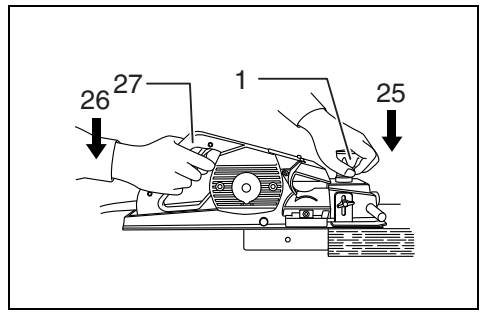


**8** 010705



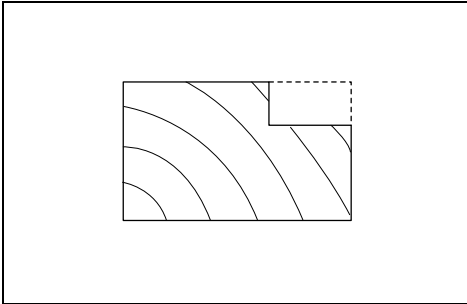
9

005988



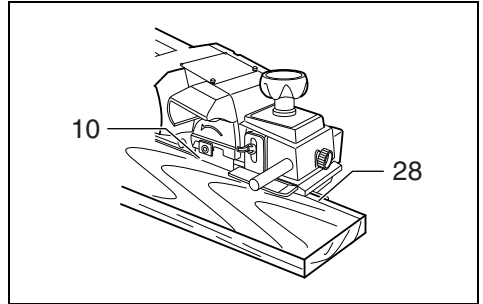
10

013623



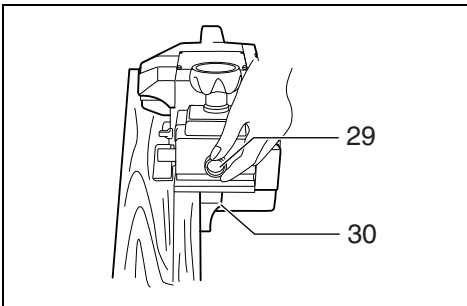
11

002580



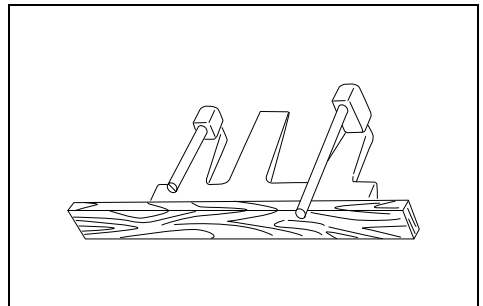
12

003595



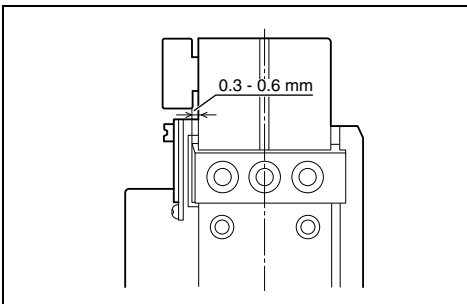
13

003597



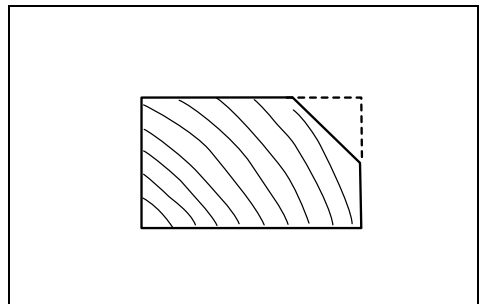
14

010667



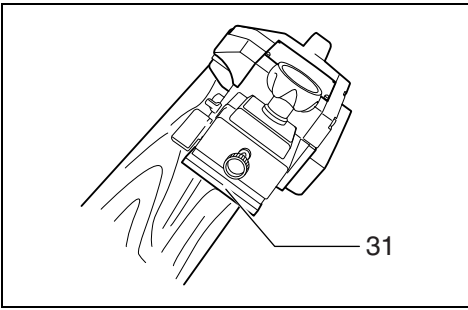
15

004900



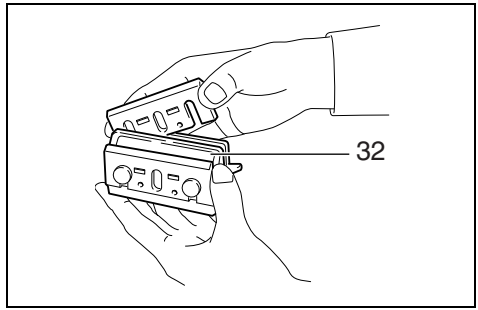
16

003634



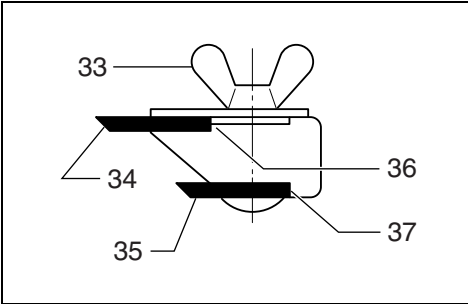
**17**

003600



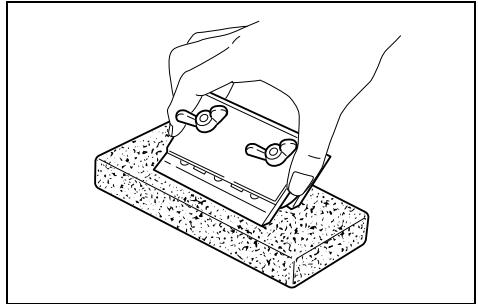
**18**

002588



**19**

002589



**20**

002590

**Explanation of general view**

1 Knob	14 Gauge plate	27 Switch handle
2 Switch trigger	15 Gauge base	28 Cutting line
3 Lock button/Lock-off button	16 Pan head screw	29 Screw
4 Bolts	17 Planer blade locating lugs	30 Edge fence
5 Drum	18 Heel of adjusting plate	31 V groove
6 Planer blade	19 Set plate	32 Sharpening holder
7 Drum plate	20 Inside flank of gauge plate	33 Wing nut
8 Adjusting plate	21 Mini planer blade	34 Blade (A)
9 Inside edge of gauge plate	22 Groove	35 Blade (B)
10 Blade edge	23 Hex. flange head bolt	36 Side (C)
11 Screws	24 Vacuum cleaner	37 Side (D)
12 Heel	25 Start	
13 Back side of gauge base	26 End	

**SPECIFICATIONS**

<b>Model</b>	<b>1100</b>
Planing width .....	82 mm
Planing depth .....	3 mm
Shiplapping depth .....	20 mm
No load speed (min <sup>-1</sup> ) .....	18,000
Overall length .....	415 mm
Net weight .....	5.1 kg
Safety class .....	□/II

- Due to our continuing program of research and development, the specifications herein are subject to change without notice.
- Specifications may differ from country to country.
- Weight according to EPTA-Procedure 01/2014

ENE001-1

**Intended use**

The tool is intended for planing wood.

ENF002-2

**Power supply**

The tool should be connected only to a power supply of the same voltage as indicated on the nameplate, and can only be operated on single-phase AC supply. They are double-insulated and can, therefore, also be used from sockets without earth wire.

GEA010-2

**General Power Tool Safety Warnings**

**⚠ WARNING** Read all safety warnings, instructions, illustrations and specifications provided with this power tool. Failure to follow all instructions listed below may result in electric shock, fire and/or serious injury.

**Save all warnings and instructions for future reference.**

The term "power tool" in the warnings refers to your mains-operated (corded) power tool or battery-operated (cordless) power tool.

GEB167-1

**PLANER SAFETY WARNINGS**

- 1. Wait for the cutter to stop before setting the tool down.** An exposed rotating cutter may engage the surface leading to possible loss of control and serious injury.

- 2. Hold the power tool by insulated gripping surfaces, because the cutter may contact its own cord.** Cutting a "live" wire may make exposed metal parts of the power tool "live" and could give the operator an electric shock.
- 3. Use clamps or another practical way to secure and support the workpiece to a stable platform.** Holding the workpiece by your hand or against the body leaves it unstable and may lead to loss of control.
- 4. Rags, cloth, cord, string and the like should never be left around the work area.**
- 5. Avoid cutting nails. Inspect for and remove all nails from the workpiece before operation.**
- 6. Use only sharp blades. Handle the blades very carefully.**
- 7. Be sure the blade installation bolts are securely tightened before operation.**
- 8. Hold the tool firmly with both hands.**
- 9. Keep hands away from rotating parts.**
- 10. Before using the tool on an actual workpiece, let it run for a while. Watch for vibration or wobbling that could indicate poor installation or a poorly balanced blade.**
- 11. Make sure the blade is not contacting the workpiece before the switch is turned on.**
- 12. Wait until the blade attains full speed before cutting.**
- 13. Always switch off and wait for the blades to come to a complete stop before any adjusting.**
- 14. Never stick your finger into the chip chute. Chute may jam when cutting damp wood. Clean out chips with a stick.**
- 15. Do not leave the tool running. Operate the tool only when hand-held.**
- 16. Always change both blades or covers on the drum, otherwise the resulting imbalance will cause vibration and shorten tool life.**
- 17. Use only Makita blades specified in this manual.**
- 18. Always use the correct dust mask/respirator for the material and application you are working with.**

**SAVE THESE INSTRUCTIONS.**

### **⚠ WARNING:**

**DO NOT let comfort or familiarity with product (gained from repeated use) replace strict adherence to safety rules for the subject product. MISUSE or failure to follow the safety rules stated in this instruction manual may cause serious personal injury.**

## **FUNCTIONAL DESCRIPTION**

### **⚠ CAUTION:**

- Always be sure that the tool is switched off and unplugged before adjusting or checking function on the tool.

### **Adjusting the depth of cut (Fig. 1)**

Depth of cut may be adjusted by simply turning the knob on the front of the tool.

### **Switch action**

### **⚠ CAUTION:**

- Before plugging in the tool, always check to see that the switch trigger actuates properly and returns to the "OFF" position when released.

### **For tool with lock button (Fig. 2)**

To start the tool, simply pull the switch trigger. Release the switch trigger to stop.

For continuous operation, pull the switch trigger and then push in the lock button.

To stop the tool from the locked position, pull the switch trigger fully, then release it.

### **For tool with lock-off button (Fig. 2)**

To prevent the switch trigger from being accidentally pulled, a lock-off button is provided.

To start the tool, depress the lock-off button and pull the switch trigger. Release the switch trigger to stop.

## **ASSEMBLY**

### **⚠ CAUTION:**

- Always be sure that the tool is switched off and unplugged before carrying out any work on the tool.

### **Removing or installing planer blades**

### **⚠ CAUTION:**

- Tighten the blade installation bolts carefully when attaching the blades to the tool. A loose installation bolt can be dangerous. Always check to see they are tightened securely.
- Handle the blades very carefully. Use gloves or rags to protect your fingers or hands when removing or installing the blades.
- Use only the Makita wrench provided to remove or install the blades. Failure to do so may result in over-tightening or insufficient tightening of the installation bolts. This could cause an injury.

### **For tool with standard planer blades (Fig. 3, 4 & 5)**

To remove the blades on the drum, unscrew the three installation bolts with the socket wrench. The drum plate comes off together with the blades.

To install the blades, first clean out all chips or foreign matter adhering to the drum or blades. Use blades of the same dimensions and weight, or drum oscillation/vibration will result, causing poor planing action and, eventually, tool breakdown.

Place the blade on the gauge base so that the blade edge is perfectly flush with the inside edge of the gauge plate. Place the adjusting plate on the blade, then simply press in the heel of the adjusting plate flush with the back side of the gauge base and tighten two screws on the adjusting plate. Now slip the heel of the adjusting plate into the drum groove, then fit the drum plate on it. Tighten all the installation bolts evenly and alternately with the socket wrench.

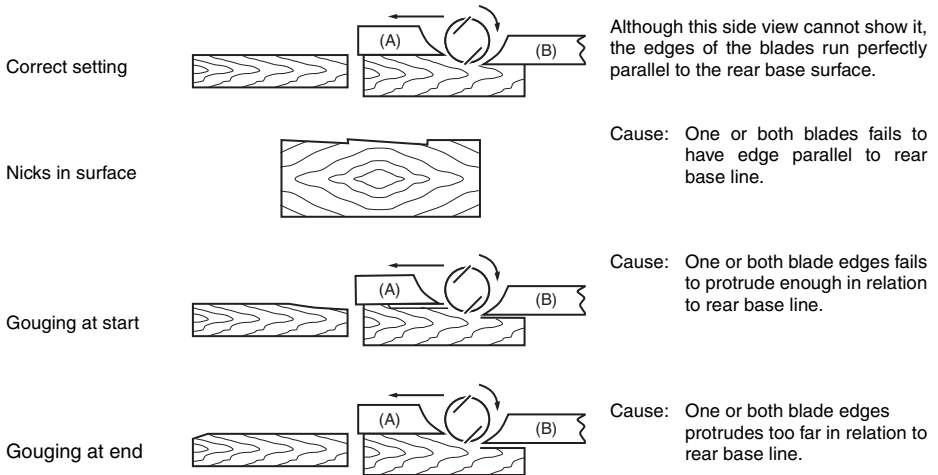
### **For tool with mini planer blades (Fig. 6, 7 & 8)**

1. Remove the existing blade, if the tool has been in use, carefully clean the drum surfaces and the drum plate. To remove the blades on the drum, unscrew the three installation bolts with the socket wrench. The drum plate comes off together with the blades.
2. To install the blades, loosely attach the adjusting plate to the set plate with the pan head screws and set the mini planer blade on the gauge base so that the cutting edge of the blade is perfectly flush with the inside flank of the gauge plate.
3. Set the adjusting plate/set plate on the gauge base so that the planer blade locating lugs on the set plate rest in the mini planer blade groove, then press in the heel of the adjusting plate flush with the back side of the gauge base and tighten the pan head screws.
4. It is important that the blade sits flush with the inside flank of the gauge plate, the planer blade locating lugs sit in the blade groove and the heel of the adjusting plate is flush with the back side of the gauge base. Check this alignment carefully to ensure uniform cutting.
5. Slip the heel of the adjusting plate into the groove of the drum.
6. Set the drum plate over the adjusting plate/set plate and screw in the three hex flange head bolts so that a gap exists between the drum and the set plate to slide the mini planer blade into position. The blade will be positioned by the planer blade locating lugs on the set plate.
7. The blade's lengthwise adjustment will need to be manually positioned so that the blade ends are clear and equidistant from the housing on one side and the metal bracket on the other.
8. Tighten the three hex flange head bolts (with the socket wrench provided) and rotate the drum to check clearances between the blade ends and the tool body.
9. Check the three hex flange head bolts for final tightness.
10. Repeat procedures 1 – 9 for other blade.

## For the correct planer blade setting

Your planing surface will end up rough and uneven, unless the blade is set properly and securely. The blade must be mounted so that the cutting edge is absolutely level, that is, parallel to the surface of the rear base. Refer to some examples below for proper and improper settings.

- (A) Front base (Movable shoe)
- (B) Rear base (Stationary shoe)



EN0004-1

## Connecting a vacuum cleaner (Fig. 9)

### NOTE:

- In some countries, the nozzle may not be included in the tool package as standard accessory.

### For tool with nozzle

Connect a hose of the vacuum cleaner to the nozzle.

### For tool without nozzle

1. Remove the chip cover from the tool.
2. Install the nozzle on the tool using the screws.
3. Connect a hose of the vacuum cleaner to the nozzle.

## Nozzle cleaning

Clean the nozzle regularly.

Use a compressed air to clean the clogged nozzle.

## OPERATION

### ⚠ WARNING:

- To reduce the risk of injury to persons, do not operate without nozzle or chip cover in place.

## Planing operation (Fig. 10)

Hold the tool firmly with one hand on the knob and the other hand on the switch handle when performing the tool.

First, rest the tool front base flat upon the workpiece surface without the blades making any contact. Switch on and wait until the blades attain full speed. Then move the tool gently forward. Apply pressure on the front of tool at the start of planing, and at the back at the end of planing. Planing will be easier if you incline the workpiece in stationary fashion, so that you can plane somewhat downhill.

The speed and depth of cut determine the kind of finish. The power planer keeps cutting at a speed that will not result in jamming by chips. For rough cutting, the depth of cut can be increased, while for a good finish you should reduce the depth of cut and advance the tool more slowly.

## Shiplapping (Rabbeting) (Fig. 11, 12, 13, 14 & 15)

To make a stepped cut as shown in Fig. 11, use the edge fence (guide rule).

Draw a cutting line on the workpiece. Insert the edge fence into the hole in the front of the tool. Align the blade edge with the cutting line. (Fig. 12)

Adjust the edge fence until it comes in contact with the side of the workpiece, then secure it by tightening the screw. (Fig. 13)

When planing, move the tool with the edge fence flush with the side of the workpiece. Otherwise uneven planing may result.

Maximum shiplapping (rabbeting) depth is 20 mm.

You may wish to add to the length of the fence by attaching an extra piece of wood. Convenient holes are provided in the fence for this purpose, and also for attaching an extension guide (optional accessory). (Fig. 14)

### ⚠ CAUTION:

- The blade edge should be made to protrude outside slightly (0.3 mm – 0.6 mm). Otherwise, nicks and generally poor shiplapping results. (Fig. 15)

## Chamfering (Fig. 16 & 17)

To make a chamfering cut as shown in Fig. 16 & 17, align the "V" groove in the front base with the edge of the workpiece and plane it.

## MAINTENANCE

### ⚠ CAUTION:

- Always be sure that the tool is switched off and unplugged before attempting to perform inspection or maintenance.
- Never use gasoline, benzene, thinner, alcohol or the like. Discoloration, deformation or cracks may result.

To maintain product SAFETY and RELIABILITY, repairs, carbon brush inspection and replacement, any other maintenance or adjustment should be performed by Makita Authorized or Factory Service Centers, always using Makita replacement parts.

### Sharpening the planer blades (Fig. 18, 19 & 20)

#### For standard blades only

Always keep your blades sharp for the best performance possible. Use the sharpening holder to remove nicks and produce a fine edge.

First, loosen the two wing nuts on the holder and insert the blades (A) and (B), so that they contact the sides (C) and (D). Then tighten the wing nuts.

Immerse the dressing stone in water for 2 or 3 minutes before sharpening. Hold the holder so that the both blades contact the dressing stone for simultaneous sharpening at the same angle.

## OPTIONAL ACCESSORIES

### ⚠ CAUTION:

- These accessories or attachments are recommended for use with your Makita tool specified in this manual. The use of any other accessories or attachments might present a risk of injury to persons. Only use accessory or attachment for its stated purpose.

If you need any assistance for more details regarding these accessories, ask your local Makita Service Center.

- High-speed steel Planer blade
- Tungsten-carbide Planer blade (For longer blade life)
- Mini planer blade
- Sharpening holder assembly
- Blade gauge
- Set plate set
- Edge fence (Guide rule)
- Dressing stone
- Socket wrench

### NOTE:

- Some items in the list may be included in the tool package as standard accessories. They may differ from country to country.

ENG905-1

## Noise

The typical A-weighted noise level determined according to EN62841-2-14:

- Sound pressure level ( $L_{pA}$ ): 88 dB (A)
- Sound power level ( $L_{WA}$ ): 99 dB (A)
- Uncertainty (K): 3 dB (A)

ENG907-1

### NOTE:

- The declared noise emission value(s) has been measured in accordance with a standard test method and may be used for comparing one tool with another.
- The declared noise emission value(s) may also be used in a preliminary assessment of exposure.

### ⚠ WARNING:

- Wear ear protection.
- The noise emission during actual use of the power tool can differ from the declared value(s) depending on the ways in which the tool is used especially what kind of workpiece is processed.
- Be sure to identify safety measures to protect the operator that are based on an estimation of exposure in the actual conditions of use (taking account of all parts of the operating cycle such as the times when the tool is switched off and when it is running idle in addition to the trigger time).

ENG900-1

## Vibration

The vibration total value (tri-axial vector sum) determined according to EN62841-2-14:

- Work mode: planing softwood
- Vibration emission ( $a_{h1}$ ): 3.0 m/s<sup>2</sup>
- Uncertainty (K): 1.5 m/s<sup>2</sup>

ENG901-2

### NOTE:

- The declared vibration total value(s) has been measured in accordance with a standard test method and may be used for comparing one tool with another.
- The declared vibration total value(s) may also be used in a preliminary assessment of exposure.

### ⚠ WARNING:

- The vibration emission during actual use of the power tool can differ from the declared value(s) depending on the ways in which the tool is used especially what kind of workpiece is processed.
- Be sure to identify safety measures to protect the operator that are based on an estimation of exposure in the actual conditions of use (taking account of all parts of the operating cycle such as the times when the tool is switched off and when it is running idle in addition to the trigger time).

## EC DECLARATION OF CONFORMITY

### For European countries only

The EC declaration of conformity is included as Annex A to this instruction manual.



**Descriptif**

1	Molette	14	Butée	26	Fin
2	Gâchette	15	Socle du calibre	27	Poignée revolver
3	Bouton de blocage/Bouton de sécurité	16	Vis Phillips	28	Tracé de coupe
4	Boulons	17	Ergots de positionnement du tranchant du fer	29	Vis
5	Bloc de coupe	18	Talon de l'équerre	30	Guide parallèle
6	Fer du rabot	19	Plaque de fixation	31	Gorge en V
7	Plaque du bloc de coupe	20	Face interne de la butée	32	Porte-fer d'affûtage
8	Equerre de réglage	21	Tranchant du fer	33	Ecrou à oreilles
9	Rebord intérieur de la butée	22	Rainure	34	Fer (A)
10	Bord du fer	23	Boulons à tête hexagonale épaulée	35	Fer (B)
11	Vis	24	Aspirateur	36	Face (C)
12	Talon	25	Début	37	Face (D)
13	Face arrière du calibre				

**SPÉCIFICATIONS**

GEB167-1

<b>Modèle</b>	<b>1100</b>
Largeur de coupe .....	82 mm
Profondeur de coupe .....	3 mm
Profondeur de feuillure .....	20 mm
Vitesse à vide (min <sup>-1</sup> ) .....	18 000
Longueur totale .....	415 mm
Poids net .....	5,1 kg
Catégorie de sécurité .....	□/II

- Étant donné l'évolution constante de notre programme de recherche et de développement, les spécifications contenues dans ce manuel sont sujettes à modification sans préavis.
- Les spécifications peuvent varier suivant les pays.
- Poids selon la procédure EPTA 01/2014

ENE001-1

**Utilisations**

L'outil est conçu pour le rabotage du bois.

ENF002-2

**Alimentation**

L'outil ne devra être raccordé qu'à une alimentation de la même tension que celle qui figure sur la plaque signalétique, et il ne pourra fonctionner que sur un courant secteur monophasé. Réalisé avec une double isolation, il peut de ce fait être alimenté sans mise à la terre.

GEA010-2

**Consignes de sécurité générales pour outils électriques**

**⚠ AVERTISSEMENT** Veuillez lire les consignes de sécurité, instructions, illustrations et spécifications qui accompagnent cet outil électrique. Le non-respect de toutes les instructions indiquées ci-dessous peut entraîner une électrocution, un incendie et/ou de graves blessures.

**Conservez toutes les mises en garde et instructions pour référence ultérieure.**

Le terme "outil électrique" dans les avertissements fait référence à l'outil électrique alimenté par le secteur (avec cordon d'alimentation) ou à l'outil électrique fonctionnant sur batterie (sans cordon d'alimentation).

**CONSIGNES DE SÉCURITÉ POUR RABOT**

1. **Attendez que l'outil de coupe s'arrête avant de poser l'outil.** Un outil de coupe en rotation exposé peut pénétrer dans la surface, ce qui peut provoquer une perte de maîtrise et de graves blessures.
2. **Tenez l'outil électrique par une surface de prise isolée, étant donné que l'outil de coupe peut entrer en contact avec son cordon.** Couper un câble sous tension risque de mettre à découvert les pièces métalliques de l'outil électrique sous tension et d'électrocuter l'utilisateur.
3. **Utilisez des dispositifs de serrage ou un autre moyen pratique pour fixer et soutenir la pièce sur une plateforme stable.** La pièce sera instable et vous risquez d'en perdre la maîtrise si vous la tenez avec une main ou l'appuyez contre votre corps.
4. **Ne laissez jamais de chiffons, linges, cordons, cordes et objets similaires sur la zone de travail.**
5. **Évitez les clous.** Avant de travailler la pièce, inspectez-la et retirez tous les clous.
6. **N'utilisez que des lames affûtées.** Manipulez les lames avec beaucoup de précaution.
7. **Assurez-vous que les boulons de fixation des lames sont bien serrés avant utilisation.**
8. **Tenez l'outil fermement à deux mains.**
9. **Gardez les mains à l'écart des pièces en rotation.**
10. **Avant d'utiliser l'outil sur la pièce, laissez-le tourner à vide un instant.** Soyez attentif aux vibrations ou sautilllements pouvant indiquer que la lame n'est pas bien installée ou est mal équilibrée.
11. **Assurez-vous que la lame n'entre pas en contact avec la pièce avant de mettre l'outil sous tension.**
12. **Attendez que la lame atteigne sa pleine vitesse avant de procéder à la coupe.**
13. **Avant tout réglage, mettez toujours l'outil hors tension et attendez l'arrêt complet des lames.**
14. **Ne mettez jamais le doigt dans la goulotte à copeaux.** Il se peut qu'elle se bouche lorsque vous coupez du bois humide. Retirez les copeaux avec un bout de bâton.

15. N'abandonnez pas l'outil alors qu'il tourne. Ne faites fonctionner l'outil qu'une fois que vous l'avez bien en main.
16. Changez toujours les deux lames ou couvercles sur le tambour, en même temps, sinon cela entraînera un déséquilibre qui provoquera des vibrations et réduira la durée de service de l'outil.
17. N'utilisez que les lames Makita spécifiées dans ce manuel.
18. Utilisez toujours un masque anti-poussière ou un masque filtrant approprié au matériau et à l'application.

## CONSERVEZ CES INSTRUCTIONS.

### ⚠ AVERTISSEMENT :

NE vous laissez PAS tromper (au fil d'une utilisation répétée) par un sentiment d'aisance et de familiarité avec le produit, en négligeant le respect rigoureux des consignes de sécurité qui accompagnent le produit en question.

La MAUVAISE UTILISATION de l'outil ou l'ignorance des consignes de sécurité indiquées dans ce mode d'emploi peut entraîner de graves blessures.

## DESCRIPTION DU FONCTIONNEMENT

### ⚠ ATTENTION :

Assurez-vous toujours que l'outil est hors tension et débranché avant de l'ajuster ou de vérifier son fonctionnement.

### Réglage de la profondeur de coupe (Fig. 1)

La profondeur de coupe peut se régler en tournant simplement la molette situé sur le devant de l'outil.

### Interrupteur

#### ⚠ ATTENTION :

Avant de brancher l'outil, vérifiez toujours que la gâchette fonctionne correctement et qu'elle revient en position quand vous la relâchez.

### Outil avec bouton de blocage (Fig. 2)

Pour mettre l'outil en marche, tirez simplement sur la gâchette. Relâchez-la pour arrêter l'outil.

Pour un fonctionnement continu, tirez sur la gâchette et appuyez sur le bouton de blocage.

Pour arrêter l'outil en cette position, tirez à fond sur la gâchette puis relâchez-la.

### Outil avec bouton de sécurité (Fig. 2)

Pour éviter que la gâchette ne soit tirée accidentellement, un bouton de sécurité a été prévu.

Pour mettre l'outil en marche, appuyez sur le bouton de sécurité et tirez sur la gâchette. Relâchez-la pour arrêter l'outil.

## ASSEMBLAGE

### ⚠ ATTENTION :

Avant d'effectuer toute intervention sur l'outil, assurez-vous toujours qu'il est hors tension et débranché.

### Retrait ou pose des fers du rabot

#### ⚠ ATTENTION :

Serrez fermement les boulons de montage des fers lorsque vous fixez ces derniers à l'outil. Un boulon de montage mal serré représente un danger. Assurez-vous toujours qu'ils sont serrés à fond.

- Maniez les fers de façon très prudente. Portez des gants ou utilisez des chiffons pour protéger vos doigts ou vos mains lorsque vous retirez ou installez les fers.
- Utilisez exclusivement la clé Makita fournie pour installer ou retirer les fers. Sinon, les boulons de montage risquent d'être trop ou pas assez serrés. Cela peut entraîner une blessure.

### Outil avec fers classiques (Fig. 3, 4 et 5)

Pour retirer les fers du bloc de coupe, dévissez les trois boulons de maintien avec la clé à douille. La plaque du bloc de coupe se détache avec les fers.

Pour installer les fers, commencez par enlever tous les copeaux et autres matières adhérant au bloc de coupe ou aux fers. Utilisez des fers de dimensions et de poids identiques, faute de quoi cela provoquera des vibrations et des oscillations qui entraîneront un rabotage défectueux ou même une panne de l'outil.

Placez le fer sur le calibre de façon que le bord du fer soit bien en appui contre le rebord intérieur de la butée. Placez l'équerre de réglage sur le fer, puis appuyez simplement sur le talon de l'équerre pour qu'elle arrive au ras de la face arrière du calibre et serrez les deux vis de l'équerre. Ensuite, faites glisser le talon de l'équerre dans l'encoche du bloc de coupe, puis fixez la plaque du bloc de coupe dessus. Serrez tous les boulons de maintien de façon uniforme et alternativement avec la clé à douille.

### Outil avec le tranchant du fer (Fig. 6, 7 et 8)

1. Retirer le fer en service, et si l'outil a fonctionné, nettoyez soigneusement les surfaces du bloc de coupe et de la plaque du bloc de coupe. Pour retirer les fers du bloc de coupe dévissez les trois boulons de maintien avec la clé à douille. La plaque du bloc de coupe se défait avec les fers.
2. Pour monter les fers, fixez provisoirement l'équerre de réglage sur la plaque de fixation avec les vis Phillips et fixez les plaquettes sur le calibre de façon que le tranchant du fer soit parfaitement à ras avec la paroi interne de la butée.
3. Positionner équerre et plaquette sur le calibre, de manière que les ergots de positionnement du tranchant du fer se logent dans la rainure, puis pousser le talon de l'équerre contre le côté arrière de l'embase du gabarit, et serrer les vis Phillips.
4. Il est très important que le tranchant soit en contact partiel avec la surface intérieure de la butée du calibre, que les ergots de positionnement du contre-fer soient dans la rainure de la plaquette et que le talon de la plaque de réglage soit en contact parfait avec le côté arrière de l'embase de gabarit. Vérifier ces trois points avec soin, pour assurer une coupe uniforme.
5. Place le talon de la plaque de réglage dans la rainure de coupe.
6. Mettre la plaque du bloc de coupe sur l'équerre de réglage/la plaque de fixation, et visser les trois boulons à tête hexagonale en ménageant un espace entre le bloc et la plaque de fixation pour y glisser le tranchant du fer. Celui-ci sera positionné par les ergots dont le contre-fer est muni.
7. Le positionnement de la plaquette dans le sens de la longueur se fera à la main, de façon que les extrémités de la plaquette soient à égale distance du capot, d'un côté, et du support, de l'autre.

8. Serrer à fond les trois boulons à tête hexagonale (avec la clé à douille fournie) et faire tourner le bloc à la main pour vérifier la garde entre les extrémités de la plaquette et le corps de l'outil.
9. Vérifier encore une fois le serrage à refus des trois boulons à tête hexagonale.
10. Répéter les opérations 1 à 9 pour l'autre plaquette.

### Pour une pose correcte des fers

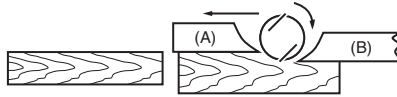
La surface rabotée présentera des aspérités et ne sera pas plane si le fer n'est pas installé de façon convenable et ferme. Il doit être monté de manière que le bord de coupe soit absolument de niveau, c'est à dire parallèle à la surface de la semelle arrière.

Voir ci-dessous quelques exemples de poses correctes et incorrectes.

(A) Socle avant (sabot mobile)

(B) Socle arrière (sabot fixe)

Pose correcte



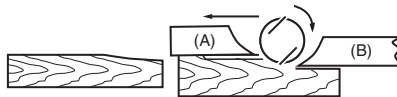
Bien que cette vue latérale ne le figure pas, les bords du fer sont parfaitement parallèles à la surface du socle arrière.

Crantage à la surface



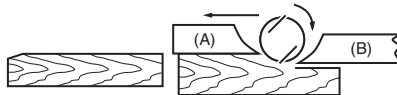
Cause : Un des fers, ou les deux, n'a pas son bord parallèle à la ligne du socle arrière.

Evidage au début



Cause : Un des fers, ou les deux, ne fait pas assez saillir son bord par rapport à la ligne du socle arrière.

Evidage au fin



Cause : Un des fers, ou les deux, saillit trop par rapport au socle arrière.

EN0004-1

### Raccordement à un aspirateur (Fig. 9)

#### NOTE :

- Dans certains pays, il se peut que la buse ne soit pas comprise dans l'emballage de l'outil en tant qu'accessoire standard.

#### Pour les outils pourvus d'une buse

Raccordez le tuyau de l'aspirateur à la buse.

#### Pour les outils sans buse

1. Retirez le couvercle à copeaux de l'outil.
2. Installez la buse sur l'outil à l'aide des vis.
3. Raccordez le tuyau de l'aspirateur à la buse.

#### Nettoyage de la buse

Nettoyez régulièrement la buse.

Utilisez de l'air comprimé pour nettoyer la buse si elle est bouchée.

### UTILISATION

#### ⚠ AVERTISSEMENT :

- Afin de diminuer le risque de blessures corporelles, n'utilisez pas l'outil sans le couvercle à copeaux ou la buse en place.

### Comment raboter (Fig. 10)

Pendant l'utilisation de l'outil, tenez-le fermement avec une main sur le bouton et l'autre sur la poignée revolver. Tout d'abord, faites reposer la semelle avant de l'outil sur la pièce à travailler sans que les fers ne soient au contact. Mettez le contact et attendez que les fers aient atteint leur pleine vitesse. Déplacez ensuite doucement l'outil vers l'avant. Pressez sur l'avant de l'outil en début de rabotage, et sur l'arrière en fin de rabotage. Le rabotage se fera plus aisément si vous fixez la pièce de bois de façon inclinée de manière à raboter de haut en bas. La vitesse et la profondeur de rabotage déterminent la qualité du fini. Le rabot électrique coupe à une vitesse qui ne permet pas l'engorgement par les copeaux. Pour les gros débîts, vous pouvez accroître la profondeur de rabotage, alors que pour un fini régulier, vous devez la réduire et faire avancer l'outil plus lentement.

### Rabotage (feuillure) (Fig. 11, 12, 13, 14 et 15)

Pour un travail de feuillure comme indiqué à la Fig. 11, utilisez le guide parallèle (règle de guidage).

Porter le tracé de découpage sur la pièce de bois. Introduire le guide parallèle dans le trou situé à l'avant de l'outil et prévu à cet effet. Faire coïncider le bord du fer avec le tracé de découpage. (Fig. 12)

Ajuster le guide parallèle jusqu'à l'amener en contact avec le flanc de la pièce de bois et bloquer fermement la vis. (Fig. 13)

Déplacer l'outil de façon que le guide parallèle soit toujours en parfait contact avec le flanc de la pièce travaillée pendant les opérations de rabotage. Tout écart affecterait la qualité du travail.

La profondeur maximum de rabotage (feuillure) est de 20 mm.

Si vous désirez augmenter la portée du guide, en y fixant une pièce de bois supplémentaire, il suffit d'utiliser les trous percés à ces fins car ils peuvent également servir à la fixation d'un prolongateur (accessoire en option). (Fig. 14)

#### **⚠ ATTENTION :**

- Le bord du fer doit dépasser légèrement (0,3 mm à 0,6 mm). Sinon, il y aura des encoches et la finition sera médiocre. (Fig. 15)

#### **Chanfreinage (Fig. 16 et 17)**

Pour abattre un angle de la façon représentée aux Fig. 16 et 17, alignez la gorge en "V" de la semelle sur l'arête de la pièce, et rabotez.

### **ENTRETIEN**

#### **⚠ ATTENTION :**

- Assurez-vous toujours que l'outil est hors tension et hors secteur avant d'effectuer tout travail dessus.
- N'utilisez jamais d'essence, benzine, diluant, alcool ou autre produit similaire. Cela risquerait de provoquer la décoloration, la déformation ou la fissuration de l'outil.

Pour maintenir la SÉCURITÉ et la FIABILITÉ du produit, les réparations, l'inspection et le remplacement des balais en carbone, ainsi que tout autre travail d'entretien ou de réglage doivent être effectués par un centre d'entretien Makita agréé, avec des pièces de rechange Makita.

#### **Affûtage des fers (Fig. 18, 19 et 20)**

##### **Pour fers classiques uniquement**

Gardez toujours vos fers bien affûtés afin d'obtenir une efficacité maximum. Utilisez le porte-fer d'affûtage pour supprimer les crans et avoir le tranchant le plus fin.

Tout d'abord relâchez les deux écrous à oreilles du porte-fer et insérez les fers (A) et (B), de sorte qu'ils soient au contact des faces (C) et (D). Serrez ensuite les écrous.

Immergez dans l'eau la pierre à aiguiser 2 ou 3 minutes avant d'affûter. Tenez le porte-fer de façon que les deux fers soient au contact de la pierre et que l'affûtage se fasse simultanément et selon le même angle.

### **ACCESSOIRES EN OPTION**

#### **⚠ ATTENTION :**

- Les accessoires ou pièces supplémentaires qui suivent sont recommandés pour l'utilisation avec l'outil Makita spécifié dans ce manuel. L'utilisation de tout autre accessoire ou pièce supplémentaire peut comporter un risque de blessure. Utilisez uniquement l'accessoire ou la pièce supplémentaire dans le but spécifié.

Pour obtenir plus de détails sur ces accessoires, contactez votre Centre d'Entretien local Makita.

- Fer de rabot en acier à coupe rapide
- Fer de rabot en carbure de tungstène (Pour une durée de vie plus longue de la lame)
- Tranchant du fer
- Ensemble de support d'affûtage

- Jauge de fer
- Pose de la plaque de fixation
- Guide parallèle (règle de guidage)
- Pierre à aiguiser
- Clé à douille

#### **NOTE :**

- Il se peut que certains éléments de la liste soient compris dans l'emballage de l'outil en tant qu'accessoires standard. Ils peuvent varier d'un pays à l'autre.

ENG905-1

#### **Bruit**

Niveau de bruit pondéré A typique, déterminé selon EN62841-2-14 :

Niveau de pression sonore ( $L_{pA}$ ) : 88 dB (A)

Niveau de puissance sonore ( $L_{WA}$ ) : 99 dB (A)

Incertitude (K) : 3 dB (A)

ENG907-1

#### **NOTE :**

- La ou les valeurs d'émission de bruit déclarées ont été mesurées conformément à la méthode de test standard et peuvent être utilisées pour comparer les outils entre eux.
- La ou les valeurs d'émission de bruit déclarées peuvent aussi être utilisées pour l'évaluation préliminaire de l'exposition.

#### **⚠ AVERTISSEMENT :**

- **Portez un serre-tête antibruit.**
- **L'émission de bruit lors de l'usage réel de l'outil électrique peut être différente de la ou des valeurs déclarées, suivant la façon dont l'outil est utilisé, particulièrement selon le type de pièce usinée.**
- **Les mesures de sécurité à prendre pour protéger l'utilisateur doivent être basées sur une estimation de l'exposition dans des conditions réelles d'utilisation (en tenant compte de toutes les composantes du cycle d'utilisation, comme par exemple le moment de sa mise hors tension, lorsqu'il tourne à vide et le moment de son déclenchement).**

ENG900-1

#### **Vibrations**

Valeur totale de vibrations (somme de vecteur triaxial) déterminée selon EN62841-2-14 :

Mode de travail : rabotage du bois tendre

Émission de vibrations ( $a_{h1}$ ) : 3,0 m/s<sup>2</sup>

Incertitude (K) : 1,5 m/s<sup>2</sup>

ENG901-2

#### **NOTE :**

- La ou les valeurs de vibration totales déclarées ont été mesurées conformément à la méthode de test standard et peuvent être utilisées pour comparer les outils entre eux.
- La ou les valeurs de vibration totales déclarées peuvent aussi être utilisées pour l'évaluation préliminaire de l'exposition.

#### **⚠ AVERTISSEMENT :**

- **L'émission de vibrations lors de l'usage réel de l'outil électrique peut être différente de la ou des valeurs déclarées, suivant la façon dont l'outil est utilisé, particulièrement selon le type de pièce usinée.**

- **Les mesures de sécurité à prendre pour protéger l'utilisateur doivent être basées sur une estimation de l'exposition dans des conditions réelles d'utilisation (en tenant compte de toutes les composantes du cycle d'utilisation, comme par exemple le moment de sa mise hors tension, lorsqu'il tourne à vide et le moment de son déclenchement).**

## **DÉCLARATION DE CONFORMITÉ CE**

### **Pour les pays d'Europe uniquement**

La déclaration de conformité CE est fournie en Annexe A à ce mode d'emploi.

**Übersicht**

1 Tiefeneinstellknopf	14 Anschlagkante	27 Schaltergriff
2 Schalter	15 Einstellehre	28 Schnitlinie
3 Einschaltsperr-/Arretierknopf	16 Justierschraube	29 Feststellschraube
4 Schrauben	17 Erhebung	30 Parallelschlag
5 Messerwelle	18 Justierwinkel	31 V-Nut
6 Hobelmesser	19 Druckplatte	32 Messerhalter
7 Walzenplatte	20 Innerer Anschlag	33 Flügelmutter
8 Justierwinkel	21 HM-Wendemesser	34 Messer (A)
9 Innerer Anschlag	22 Nut	35 Messer (B)
10 Messerschneide	23 Messerklemmschraube	36 Kante (C)
11 Justierschrauben	24 Sauggerät	37 Kante (D)
12 Hinterkante	25 Hobelbeginn	
13 Rückseitiger Anschlag	26 Hobelende	

**TECHNISCHE DATEN**

GEB167-1

<b>Modell</b>	<b>1100</b>
Hobelbreite .....	82 mm
Spanabnahme stufenlos .....	3 mm
Falztiefe .....	20 mm
Leerlaufdrehzahl (min <sup>-1</sup> ) .....	18 000
Gesamtlänge .....	415 mm
Nettogewicht .....	5,1 kg
Sicherheitsklasse .....	□/II

- Wir behalten uns vor, Änderungen im Zuge der Entwicklung und des technischen Fortschritts ohne vorherige Ankündigung vorzunehmen.
- Die technischen Daten können von Land zu Land abweichen.
- Gewicht nach EPTA-Verfahren 01/2014

ENE001-1

**Sicherheitshinweise**

Lesen und beachten Sie diese Hinweise, bevor Sie das Gerät benutzen.

ENF002-2

**Netzanschluss**

Die Maschine darf nur an die auf dem Typenschild angegebene Netzspannung angeschlossen werden und arbeitet nur mit Einphasen-Wechselspannung. Sie ist doppelt schutzisoliert und kann daher auch an Steckdose ohne Erdanschluss betrieben werden.

GEA010-2

**Allgemeine Sicherheitswarnungen für Elektrowerkzeuge**

**⚠️ WARNUNG** Lesen Sie alle mit diesem Elektrowerkzeug gelieferten Sicherheitswarnungen, Anweisungen, Abbildungen und technischen Daten durch. Eine Missachtung der unten aufgeführten Anweisungen kann zu einem elektrischen Schlag, Brand und/oder schweren Verletzungen führen.

**Bewahren Sie alle Warnungen und Anweisungen für spätere Bezugnahme auf.**

Der Ausdruck "Elektrowerkzeug" in den Warnhinweisen bezieht sich auf Ihr mit Netzstrom (mit Kabel) oder Akku (ohne Kabel) betriebenes Elektrowerkzeug.

**SICHERHEITSWARNUNGEN FÜR BALKENHOBEL**

1. **Warten Sie, bis das Messer zum Stillstand kommt, bevor Sie das Werkzeug ablegen.** Das freiliegende Rotationsmesser könnte sonst in die Oberfläche eingreifen, was zu einem möglichen Verlust der Kontrolle und ernsthaften Verletzungen führen kann.
2. **Halten Sie das Elektrowerkzeug an den isolierten Griffflächen, weil das Messer das eigene Kabel berühren kann.** Bei Kontakt mit einem Strom führenden Kabel können die freiliegenden Metallteile des Elektrowerkzeugs ebenfalls Strom führend werden, so dass der Benutzer einen elektrischen Schlag erleiden kann.
3. **Verwenden Sie Klemmen oder eine andere praktische Methode, um das Werkstück auf einer stabilen Unterlage zu sichern und abzustützen.** Wenn Sie das Werkstück nur mit der Hand oder gegen Ihren Körper halten, befindet es sich in einer instabilen Lage, die zum Verlust der Kontrolle führen kann.
4. **Lassen Sie niemals Lappen, Tücher, Kabel, Schnüre und dergleichen im Arbeitsbereich herumliegen.**
5. **Vermeiden Sie das Schneiden von Nägeln.** Untersuchen Sie das Werkstück sorgfältig auf Nägel, und entfernen Sie diese vor der Bearbeitung.
6. **Verwenden Sie nur scharfe Messer.** Behandeln Sie die Messer mit größter Sorgfalt.
7. **Vergewissern Sie sich vor der Arbeit, dass die Messerbefestigungsschrauben sicher festgezogen sind.**
8. **Halten Sie das Werkzeug mit beiden Händen fest.**
9. **Halten Sie Ihre Hände von rotierenden Teilen fern.**
10. **Lassen Sie das Werkzeug vor der eigentlichen Bearbeitung eines Werkstücks eine Weile laufen.** Achten Sie auf Vibrationen oder Taumelbewegungen, die Anzeichen für schlechte Montage oder ein schlecht ausgewuchtetes Messer sein können.
11. **Vergewissern Sie sich vor dem Einschalten des Werkzeugs, dass das Messer nicht das Werkstück berührt.**

12. Warten Sie, bis das Messer die volle Drehzahl erreicht hat, bevor Sie mit dem Schneiden beginnen.
13. Schalten Sie das Werkzeug stets aus, und warten Sie, bis die Messer zum vollständigen Stillstand kommen, bevor Sie Einstellungen vornehmen.
14. Stecken Sie niemals Ihren Finger in den Spanauswurf. Der Spanauswurf kann blockiert werden, wenn feuchtes Holz gehobelt wird. Entfernen Sie Späne mit einem Stock.
15. Lassen Sie das Werkzeug nicht unbeaufsichtigt laufen. Benutzen Sie das Werkzeug nur im handgeführten Einsatz.
16. Wechseln Sie immer beide Messer oder Abdeckungen an der Trommel aus, weil sonst die resultierende Unwucht Vibrationen verursacht und die Lebensdauer des Werkzeugs verkürzen kann.
17. Verwenden Sie nur die in dieser Anleitung angegebenen Makita-Messer.
18. Verwenden Sie stets die korrekte Staubschutz-/Atemmaske für das jeweilige Material und die Anwendung.

## DIESE ANWEISUNGEN AUFBEWAHREN.

### ⚠️ WARNUNG:

Lassen Sie sich NICHT durch Bequemlichkeit oder Vertrautheit mit dem Produkt (durch wiederholten Gebrauch erworben) von der strikten Einhaltung der Sicherheitsregeln für das vorliegende Produkt abhalten.

MISSBRAUCH oder Missachtung der Sicherheitsvorschriften in dieser Anleitung können schwere Verletzungen verursachen.

## FUNKTIONSBESCHREIBUNG

### ⚠️ VORSICHT:

- Vergewissern Sie sich vor jeder Einstellung oder Funktionsprüfung der Maschine stets, dass sie ausgeschaltet und vom Stromnetz getrennt ist.

### Einstellung der Spanabnahme (Abb. 1)

Die Spanabnahme kann durch Drehen des Tiefeneinstellknopfes an der Vorderseite der Maschine eingestellt werden.

### Schalterbedienung

#### ⚠️ VORSICHT:

- Überprüfen Sie vor dem Anschließen der Maschine an das Stromnetz stets, ob der Schalter ordnungsgemäß funktioniert und beim Loslassen in die "OFF"-Stellung zurückkehrt.

### Werkzeug mit Arretierknopf (Abb. 2)

Zum Einschalten der Maschine den Schalter drücken. Zum Ausschalten wieder loslassen. Für Dauerbetrieb den Schalter und den Arretierknopf drücken. Zum Ausschalten den arretierten Schalter nochmals drücken und wieder loslassen.

### Werkzeug mit Einschaltsperr (Abb. 2)

Um ein versehentliches Betätigen des Schalters zu verhindern, ist bei diesem Modell eine Einschaltsperr eingebaut.

Zum Einschalten der Maschine erst die Einschaltsperr und dann den Schalter drücken. Zum Ausschalten wieder loslassen.

## MONTAGE

### ⚠️ VORSICHT:

- Vergewissern Sie sich vor der Ausführung von Arbeiten an der Maschine stets, dass sie ausgeschaltet und vom Stromnetz getrennt ist.

### Montage und Demontage von Hobelmessern

#### ⚠️ VORSICHT:

- Ziehen Sie die Messermontageschrauben sorgfältig an, wenn Sie die Messer an der Maschine anbringen. Eine lose Montageschraube kann gefährlich sein. Vergewissern Sie sich stets, dass sie einwandfrei angezogen sind.
- Behandeln Sie die Messer mit größter Sorgfalt. Schützen Sie Ihre Finger oder Hände beim Demontieren oder Montieren der Messer mit Handschuhen oder Lappen.
- Verwenden Sie nur den mitgelieferten Makita-Inbusschlüssel zum Demontieren oder Montieren der Messer. Anderenfalls besteht die Gefahr, dass die Montageschrauben zu stark oder zu schwach angezogen werden, was zu einer Verletzung führen kann.

### Bestückung mit Hobelmessern (Abb. 3, 4 u. 5)

Zum Ausbau der Hobelmesser lösen Sie mit dem mitgelieferten Montagewerkzeug die drei Messerklemmschrauben der Messerwelle. Die Walzenplatte löst sich zusammen mit den Messern.

Messerwelle und Hobelmesser vor dem Einbau reinigen, um Späne und Fremdkörper zu entfernen. Stets Hobelmesser mit gleicher Größe und gleichem Gewicht verwenden. Unwucht durch ungleiche Hobelmesser beeinträchtigt die Hobelleistung und Lebensdauer der Maschine.

Legen Sie das Messer so auf die Lehrenbasis, dass die Schneide vollkommen an der Innenkante der Lehrenplatte anliegt. Legen Sie die Einstellplatte auf das Messer, drücken Sie dann einfach das Hinterende der Einstellplatte bündig an die Rückseite der Lehrenbasis an, und ziehen Sie die zwei Schrauben an der Einstellplatte an. Schieben Sie nun das Hinterende der Einstellplatte in die Walzennut ein, und bringen Sie dann die Walzenplatte daran an. Ziehen Sie alle Montageschrauben gleichmäßig und abwechselnd mit dem Steckschlüssel fest.

### Bestückung mit HM-Wendmessern (Abb. 6, 7 u. 8)

1. Entfernen Sie das vorhandene Messer, falls die Maschine in Gebrauch war, und reinigen Sie sorgfältig die Walzenoberflächen und die Walzenplatte. Um die Messer von der Walze zu entfernen, lösen Sie die drei Montageschrauben mit dem Steckschlüssel. Die Walzenplatte löst sich zusammen mit den Messern.
2. Zum Einbau der HM-Wendmesser den Justierwinkel mit den Messerklemmschrauben leicht an der Druckplatte vormontieren und das HM-Wendmesser so auf die Einstellehre legen, dass die Schneide des HM-Wendmessers an der Anschlagkante anliegt.

- Den Justierwinkel mit der Druckplatte so auf der Einstelllehre ausrichten, dass die Erhebung der Druckplatte in die Nut des HM-Wendemessers eingreift; dann die Hinterkante des Justierwinkels mit der Rückseite der Einstelllehre abgleichen und die Justierschrauben anziehen.
- Es ist unbedingt erforderlich, dass das HM-Wendemesser an der Anschlagkante bündig anliegt, die Erhebungen in der Messernut liegen und die Hinterkante des Justierwinkels mit der Rückseite der Einstelllehre bündig abschließt. Die Anordnung dieser Teile sorgfältig vornehmen und überprüfen, um gleichmäßiges Hobeln zu gewährleisten.
- Die Hinterkante des Justierwinkels in die Nut in der Messerwelle schieben.
- Setzen Sie die Walzenplatte auf die Einstellplatte/Halteplatte, und schrauben Sie die drei Sechskantschrauben so ein, dass ein Spalt zwischen der Walze und der Halteplatte besteht, um das Mini-Hobelmesser einzuschieben. Das Messer wird durch die Hobelmesser-Haltenasen auf der Halteplatte positioniert.
- Die seitliche Justierung des HM-Wendemessers muss von Hand vorgenommen werden: beide Messerenden sollten den gleichem Abstand zum Gehäuse auf der einen Seite und der Metallklammer auf der anderen Seite haben.
- Die drei Messerklemmschrauben mit dem mitgelieferten Steckschlüssel bzw. Innensechskantschlüssel anziehen und die Messerwelle von Hand drehen, um dem Abstand zwischen HM-Wendemesser und Gehäuse zu überprüfen.
- Die drei Messerklemmschrauben noch einmal auf festen Sitz prüfen.
- Die Punkte 1 – 9 für das andere HM-Wendemesser wiederholen.

### Auswirkungen von Messerfehleinstellungen

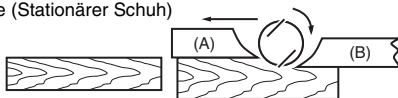
Fehleinstellung der Hobelmesser führt zu ungleichmäßigem und unsauberem Hobelergebnissen. Bei richtiger Einstellung befindet sich das Messer fluchtend mit der hinteren Hobelsohle.

Die folgenden Beispiele veranschaulichen einige richtige und falsche Einstellungen.

(A) Vordere Hobelsohle (Beweglicher Schuh)

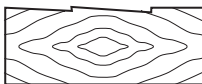
(B) Hintere Hobelsohle (Stationärer Schuh)

Richtige  
Einstellung



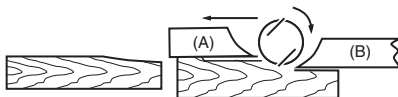
In dieser Seitenansicht nicht zu erkennen, liegen die Messer genau parallel zur hinteren Hobelsohle.

Oberflächenvorsprünge



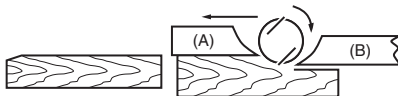
Ursache: Die Schneide eines oder beider Messer ist nicht parallel zur hinteren Basislinie.

Kehlung  
beim Ansetzen



Ursache: Eine oder beide Messerschneiden stehen in Bezug zur hinteren Basislinie nicht weit genug über.

Kehlung  
beim Abheben



Ursache: Eine oder beide Messerschneiden stehen in Bezug zur hinteren Basislinie zu weit über.

EN0004-1

### Anschließen eines Sauggeräts (Abb. 9)

#### HINWEIS:

- In manchen Ländern ist der Absaugstutzen eventuell nicht als Standardzubehör im Werkzeugsatz enthalten.

#### Für Werkzeug mit Absaugstutzen

Schließen Sie einen Schlauch des Sauggeräts an den Absaugstutzen an.

#### Für Werkzeug ohne Absaugstutzen

- Entfernen Sie die Späneabdeckung vom Werkzeug.
- Montieren Sie den Absaugstutzen mit den Schrauben am Werkzeug.

- Schließen Sie einen Schlauch des Sauggeräts an den Absaugstutzen an.

#### Reinigen des Absaugstutzens

Reinigen Sie den Absaugstutzen regelmäßig. Verwenden Sie Druckluft zum Reinigen des verstopften Absaugstutzens.



## BETRIEB

### ⚠️ WARNUNG:

- Um die Verletzungsgefahr von Personen zu verringern, betreiben Sie das Werkzeug niemals, wenn Absaugstützen oder Späneabdeckung nicht angebracht sind.

### Hobelbetrieb (Abb. 10)

Halten Sie die Maschine während der Arbeit mit der einen Hand am Knopf und mit der anderen Hand am Schaltergriff fest.

Setzen Sie zuerst die vordere Hobelsohle auf das Werkstück, ohne dass die Hobelmesser mit dem Werkstück oder etwas anderem in Berührung kommen. Schalten Sie den Hobel ein und warten Sie, bis die Messerwelle die volle Drehzahl erreicht hat. Bewegen Sie dann den Hobel langsam vorwärts. Üben Sie zuerst Druck im Bereich der vorderen Hobelsohle und am Ende des Werkstücks Druck auf die hintere Hobelsohle aus. Sie können sich das Hobeln erleichtern, indem Sie das Werkstück in stationärem Zustand neigen, so dass Sie in Abwärtsrichtung hobeln können.

Die Geschwindigkeit und Tiefe des Schnitts bestimmen die Art der Oberflächenausführung. Der Hobel arbeitet mit einer Geschwindigkeit, die nicht zu einem Spänestau führt. Für Grobschnitt können Sie die Schnitttiefe erhöhen, während Sie für eine hochwertige Ausführung die Schnitttiefe verringern und die Maschine langsamer vorschieben sollten.

### Überfälen (Falzen) (Abb. 11, 12, 13, 14 u. 15)

Zum Falzen wird, wie in **Abb. 11** gezeigt, der Parallelanschlag (Richtlineal) verwendet.

Zeichnen Sie eine Schnittlinie auf dem Werkstück an. Befestigen Sie den Parallelanschlag in der dafür vorgesehenen Bohrung der Maschine. Richten Sie die Messerschneide auf die Schnittlinie aus. (**Abb. 12**)

Den Kantenanschlag einstellen, bis er an der Seite des Werkstücks anliegt, dann durch Anziehen der Schraube sichern. (**Abb. 13**)

Beim Falzen muss die Maschine mit dem Parallelanschlag entlang des Werkstücks geführt werden, um eine gleichmäßige Falz zu erhalten.

Die max. Überfälz(Falz)-Tiefe beträgt 20 mm.

Der Parallelanschlag lässt sich durch eine Holzleiste verlängern. Zur Befestigung dieser Holzleiste dienen die im Parallelanschlag vorhandenen Bohrungen, die auch den Anbau eines verlängerten Anschlags ermöglichen (Sonderzubehör). (**Abb. 14**)

### ⚠️ VORSICHT:

- Die Schneide ist so einzustellen, dass sie leicht übersteht (0,3 mm – 0,6 mm). Anderenfalls entstehen Kerben und allgemein schlechte Falzverbindungs-Ergebnisse. (**Abb. 15**)

### Fasen (Abb. 16 u. 17)

Um eine Fasung wie in **Abb. 16 u. 17** herzustellen, die V-Nut der vorderen Hobelsohle auf die Kante des Werkstücks ausrichten und fasen.

## WARTUNG

### ⚠️ VORSICHT:

- Vergewissern Sie sich vor der Durchführung von Inspektions- oder Wartungsarbeiten stets, dass die Maschine ausgeschaltet und der Akku abgenommen ist.

- Verwenden Sie auf keinen Fall Benzin, Benzol, Verdünnern, Alkohol oder dergleichen. Solche Mittel können Verfärbung, Verformung oder Rissbildung verursachen.

Um die SICHERHEIT und ZUVERLÄSSIGKEIT dieses Produkts aufrechtzuerhalten, sollten Reparaturen, Überprüfung und Austausch der Kohlebürsten und andere Wartungs- oder Einstellarbeiten nur von Makita-Vertragswerkstätten oder Makita-Kundendienstzentren unter ausschließlicher Verwendung von Makita-Originalersatzteilen ausgeführt werden.

### Schärfen der HSS-Hobelmesser

#### (Abb. 18, 19 u. 20)

#### Bestückung mit HSS-Hobelmessern

Halten Sie Ihre Messer immer scharf, um bestmögliche Leistung zu erhalten. Benutzen Sie den Messerhalter beim Schleifen mit Schleifgeräten, um die Schneiden zu schärfen und Beschädigungen auszuschleifen.

Lösen Sie zuerst die beiden Flügelmuttern auf dem Messerhalter und setzen Sie die Messer (A) und (B) so ein, dass Sie an den Kanten (C) und (D) anliegen. Ziehen Sie dann die Flügelmuttern fest.

Wässern Sie den Schleifstein 2 oder 3 Minuten, bevor Sie schleifen. Führen Sie den Messerhalter so, dass beide Messer den Stein berühren, um ein gleichzeitiges Schleifen unter dem gleichen Winkel zu gewährleisten.

## SONDERZUBEHÖR

### ⚠️ VORSICHT:

- Die folgenden Zubehörteile oder Vorrichtungen werden für den Einsatz mit der in dieser Anleitung beschriebenen Makita-Maschine empfohlen. Die Verwendung anderer Zubehörteile oder Vorrichtungen kann eine Verletzungsgefahr darstellen. Verwenden Sie Zubehörteile oder Vorrichtungen nur für ihren vorgesehenen Zweck.

Wenn Sie weitere Einzelheiten bezüglich dieser Zubehörteile benötigen, wenden Sie sich bitte an Ihre Makita-Kundendienststelle.

- Hochdrehzahl-Stahlhobelmesser
- Hartmetall-Hobelmesser (Für längere Messerstandzeit)
- Mini-Hobelmesser
- Messerhalterreinheit
- Messerlehre
- Druckplattensatz
- Parallelanschlag (Richtlineal)
- Abrichtstein
- Steckschlüssel

### HINWEIS:

- Manche Teile in der Liste können als Standardzubehör im Werkzeugsatz enthalten sein. Sie können von Land zu Land unterschiedlich sein.

ENG905-1

### Geräusch

Typischer A-bewerteter Geräuschpegel ermittelt gemäß EN62841-2-14:

Schalldruckpegel ( $L_{pA}$ ): 88 dB (A)

Schalleistungspegel ( $L_{WA}$ ): 99 dB (A)

Ungewissheit (K): 3 dB (A)

**HINWEIS:**

- Der (Die) angegebene(n) Schallemissionswert(e) wurde(n) im Einklang mit der Standardprüfmethode gemessen und kann (können) für den Vergleich zwischen Werkzeugen herangezogen werden.
- Der (Die) angegebene(n) Schallemissionswert(e) kann (können) auch für eine Vorbewertung des Gefährdungsgrads verwendet werden.

**⚠️ WARNUNG:**

- **Einen Gehörschutz tragen.**
- **Die Schallemission während der tatsächlichen Benutzung des Elektrowerkzeugs kann je nach der Benutzungsweise des Werkzeugs, und speziell je nach der Art des bearbeiteten Werkstücks, von dem (den) angegebenen Wert(en) abweichen.**
- **Identifizieren Sie Sicherheitsmaßnahmen zum Schutz des Benutzers anhand einer Schätzung des Gefährdungsgrads unter den tatsächlichen Benutzungsbedingungen (unter Berücksichtigung aller Phasen des Arbeitszyklus, wie z. B. Ausschalt- und Leerlaufzeiten des Werkzeugs zusätzlich zur Betriebszeit).**

ENG900-1

**Vibration**

Vibrationsgesamtwert (Drei-Achsen-Vektorsumme)  
ermittelt gemäß EN62841-2-14:

Arbeitsmodus: Hobeln von Weichholz

Vibrationsemission ( $a_{\text{H}}$ ): 3,0 m/s<sup>2</sup>

Ungewissheit (K): 1,5 m/s<sup>2</sup>

ENG901-2

**HINWEIS:**

- Der (Die) angegebene(n) Vibrationsgesamtwert(e) wurde(n) im Einklang mit der Standardprüfmethode gemessen und kann (können) für den Vergleich zwischen Werkzeugen herangezogen werden.
- Der (Die) angegebene(n) Vibrationsgesamtwert(e) kann (können) auch für eine Vorbewertung des Gefährdungsgrads verwendet werden.

**⚠️ WARNUNG:**

- **Die Vibrationsemission während der tatsächlichen Benutzung des Elektrowerkzeugs kann je nach der Benutzungsweise des Werkzeugs, und speziell je nach der Art des bearbeiteten Werkstücks, von dem (den) angegebenen Emissionswert(en) abweichen.**
- **Identifizieren Sie Sicherheitsmaßnahmen zum Schutz des Benutzers anhand einer Schätzung des Gefährdungsgrads unter den tatsächlichen Benutzungsbedingungen (unter Berücksichtigung aller Phasen des Arbeitszyklus, wie z. B. Ausschalt- und Leerlaufzeiten des Werkzeugs zusätzlich zur Betriebszeit).**

**EG-KONFORMITÄTSERKLÄRUNG****Nur für europäische Länder**

Die EG-Konformitätserklärung ist als Anhang A in dieser Bedienungsanleitung enthalten.

**Visione Generale**

1	Manopola	14	Piastra porta coltelli	27	Manico interruttore
2	Grilletto dell'interruttore	15	Base porta coltelli	28	Linea
3	Bottone di bloccaggio/Bottone di bloccaggio-spegnimento	16	Vite a testa troncoconica	29	Vite
4	Bulloni	17	Fessure di sistemazione del coltelli della piastra	30	Guida laterale
5	Rullo	18	Talloni della piastra regolatore	31	Scanalatura a V
6	Lama piallatrice	19	Piastra di fissaggio	32	Supporto di affilatura
7	Piastra del rullo	20	Fianco inferiore della piastra porta coltelli	33	Dado ad alette
8	Piastra regolatore	21	Lama piccola	34	Lama (A)
9	Bordo interno piastra regolatore	22	Incavo	35	Lama (B)
10	Bordo della lama	23	Bulloni esagonali con bordino	36	Lato (C)
11	Viti	24	Aspirapolvere	37	Lato (D)
12	Tallone	25	Inizio		
13	Lato posteriore della base porta coltelli	26	Fine		

**DATI TECNICI**

GEB167-1

<b>Modello</b>	<b>1100</b>
Larghezza di piallatura .....	82 mm
Spessore di piallatura .....	3 mm
Profondità di battuta .....	20 mm
Velocità a vuoto (min <sup>-1</sup> ).....	18.000
Lunghezza totale .....	415 mm
Peso netto .....	5,1 kg
Classe di sicurezza.....	□/II

- Per il nostro programma di ricerca e sviluppo continui, i dati tecnici sono soggetti a modifiche senza preavviso.
- I dati tecnici potrebbero differire a seconda del paese di destinazione del modello.
- Peso in base alla procedura EPTA 01/2014

ENE001-1

**Utilizzo prefissato**

L'utensile serve a piallare il legno.

ENF002-2

**Alimentazione**

L'utensile deve essere collegato ad una presa di corrente con la stessa tensione indicata sulla targhetta del nome, e può funzionare soltanto con la corrente alternata monofase. Esso ha un doppio isolamento per cui può essere usato con le prese di corrente sprovviste della messa a terra.

GEA010-2

**Avvertenze generali relative alla sicurezza dell'utensile elettrico**

**⚠ AVVERTIMENTO** Leggere tutte le avvertenze di sicurezza, le istruzioni, le illustrazioni e i dati tecnici forniti con il presente utensile elettrico. La mancata osservanza di tutte le istruzioni elencate di seguito potrebbe risultare in scosse elettriche, incendi e/o gravi lesioni personali.

**Conservare tutte le avvertenze e le istruzioni come riferimento futuro.**

Il termine "utensile elettrico" nelle avvertenze si riferisce sia all'utensile elettrico (cablato) nel funzionamento alimentato da rete elettrica che all'utensile elettrico (a batteria) nel funzionamento alimentato a batteria.

**AVVERTENZE DI SICUREZZA RELATIVE ALLA PIALLA**

- 1. Prima di appoggiare l'utensile, attendere che la lama si arresti.** Una lama rotante esposta potrebbe fare presa sulla superficie, portando alla possibile perdita di controllo e a gravi lesioni personali.
- 2. Mantenere l'utensile elettrico per le sue superfici di impugnatura isolate, poiché la lama potrebbe entrare in contatto con il proprio cavo di alimentazione.** L'eventuale taglio di un filo elettrico sotto tensione potrebbe mettere sotto tensione le parti metalliche esposte dell'utensile elettrico, e potrebbe causare una scossa elettrica all'operatore.
- 3. Utilizzare delle morse o altri sistemi pratici per fissare e sostenere un pezzo in lavorazione su una piano stabile.** Un pezzo in lavorazione mantenuto in mano o contro il proprio corpo resta instabile, e potrebbe portare a una perdita di controllo.
- 4. Non lasciare mai stracci, tessuti, cavi, nastri e oggetti simili in prossimità dell'area di lavoro.**
- 5. Evitare di tagliare chiodi. Prima dell'uso, ispezionare il pezzo in lavorazione e rimuovere da quest'ultimo tutti i chiodi.**
- 6. Utilizzare solo lame affilate. Maneggiare le lame con estrema cautela.**
- 7. Prima dell'uso, accertarsi che i bulloni di installazione della lama siano serrati saldamente.**
- 8. Mantenere saldamente l'utensile con entrambe le mani.**
- 9. Tenere le mani lontane dalle parti rotanti.**
- 10. Prima di utilizzare l'utensile sul pezzo in lavorazione effettivo, lasciarlo funzionare a vuoto per un po' di tempo.** Osservare l'eventuale presenza di vibrazioni od oscillazioni che potrebbero indicare un'installazione errata o un bilanciamento inappropriato della lama.
- 11. Prima di attivare l'interruttore, accertarsi che la lama non sia in contatto con il pezzo in lavorazione.**
- 12. Prima di effettuare il taglio, attendere che la lama abbia raggiunto la piena velocità.**
- 13. Prima di effettuare qualsiasi regolazione, spegnere sempre l'utensile e attendere che le lame si siano arrestate completamente.**

14. **Non infilare mai le dita nello scarico dei trucioli.** Lo scarico potrebbe incepparsi quando si taglia del legno umido. Eliminare i trucioli con un bastoncino.
15. **Non lasciare l'utensile mentre è in funzione.** Far funzionare l'utensile solo mentre viene tenuto in mano.
16. **Sostituire sempre entrambe le lame o le coperture del tamburo; in caso contrario, si verifiche- rebbero sbilanciamenti che causerebbero vibrazioni e ridurrebbero la vita utile dell'uten- sile.**
17. **Utilizzare esclusivamente le lame Makita specifi- cate nel presente manuale.**
18. **Utilizzare sempre la mascherina antipolvere o il respiratore appropriati per il materiale e l'appli- cazione con cui si intende lavorare.**

## CONSERVARE LE PRESENTI ISTRUZIONI.

### ⚠ AVVERTIMENTO:

**NON lasciare che la comodità o la familiarità d'uso con il prodotto (acquisita con l'uso ripetuto) sostitui- scano la stretta osservanza delle norme di sicurezza. L'USO IMPROPRIO o la mancata osservanza delle norme di sicurezza riportate nel presente manuale di istruzioni potrebbero causare lesioni personali gravi.**

## DESCRIZIONE DELL'UTILIZZO

### ⚠ ATTENZIONE:

- Accertarsi sempre che l'utensile sia spento e staccato dalla presa di corrente prima di regolarlo o di control- larne le funzioni.

### Regolazione della profondità di taglio (Fig. 1)

La profondità di taglio può essere regolata semplice- mente facendo girare la manopola davanti la pia- lla.

### Avzionamento dell'interruttore

#### ⚠ ATTENZIONE:

- Prima di collegare l'utensile alla presa di corrente, con- trollare sempre che il grilletto dell'interruttore funzioni correttamente e ritorni sulla posizione "OFF" quando viene rilasciato.

### Utensile con bottone di bloccaggio (Fig. 2)

Per avviare l'utensile, schiacciare semplicemente il gril- letto. Rilasciare il grilletto per arrestarlo.

Per il funzionamento continuo, schiacciare il grilletto e spingere poi dentro il bottone di bloccaggio.

Per arrestare l'utensile dalla posizione di bloccaggio, schiacciare completamente il grilletto e rilasciarlo.

### Utensile con bottone di bloccaggio-spegnimento (Fig. 2)

Per evitare do schiacciare inavvertitamente il grilletto, l'utensile è dotato di un bottone di bloccaggio-spegni- mento.

Per avviare l'utensile, premere il bottone di bloccaggio- spegnimento e schiacciare il grilletto. Rilasciare il grilletto per arrestarlo.

## MONTAGGIO

### ⚠ ATTENZIONE:

- Accertarsi sempre che l'utensile sia spento e staccato dalla presa di corrente prima di qualsiasi intervento su di esso.

## Rimozione o installazione lame piallatrice

### ⚠ ATTENZIONE:

- Stringere con cura i bulloni di installazione quando si attaccano le lame all'utensile. Un bullone di installa- zione allentato può essere pericoloso. Accertarsi sem- pre che siano stretti saldamente.
- Maneggiare le lame con molta attenzione. Usare guanti o stracci per proteggere le dita o le mani quando si installano o rimuovono le lame.
- Per rimuovere o installare le lame, usare soltanto la chiave Makita in dotazione. In caso contrario, i bulloni di installazione potrebbero essere stretti eccessiva- mente o insufficientemente. Ciò potrebbe causare lesioni.

### Utensile con lame standard (Fig. 3, 4 e 5)

Per togliere le lame sul rullo, svitare i tre bulloni di instal- lazione con la chiave a bussola. La piastra del rullo viene via assieme alle lame.

Per installare le lame, togliere per prima cosa tutti i fram- menti o sostanze estranee che aderiscono al rullo o alle lame. Usare lame con le stesse dimensioni e peso, per- ché altrimenti si verifica l'oscillazione/vibrazione del rullo che causa il deterioramento delle prestazioni della pialla- trice e un eventuale guasto dell'utensile.

Sistemare la lama sulla base del calibro in modo che il bordo della lama sia perfettamente a filo con il bordo interno della piastra del calibro. Sistemare la piastra regolatore sulla lama e premere poi semplicemente den- tro il tallone della lama regolatore a filo con il lato poste- riore della base del calibro, e stringere poi le due viti sulla piastra regolatore. Inserire ora il tallone della piastra regolatore nella scanalatura del rullo, e montarvi poi sopra la piastra del rullo. Stringere uniformemente e alternativamente tutti i bulloni di installazione con la chiave a bussola.

### Utensile con lame piccole (Fig. 6, 7 e 8)

1. Rimuovere la lama montata, se l'utensile è stato usato, pulire con cura le superfici del rullo e la pia- stra del rullo. Per rimuovere le lame sul rullo, svitare i tre bulloni di installazione con la chiave a bussola. La piastra del rullo viene via assieme alle lame.
2. Per installare le lame, attaccare cancel la piastra regolatore alla piastra di fissaggio con le viti a testa troncoconica e mettere la lama piccola sulla base regolatore in modo che il bordo tagliente della lama sia perfettamente a filo con il fianco interno della pia- stra regolatore.
3. Piazzare la piastra regolatore/piastra di fissaggio sulla base porta coltelli in modo che le fessure di sistemazione del coltello della pialla combacino con le sporgenze sul coltello poi premere i talloni della piastra regolatore finché questi si trovino allo stesso livello della parte posteriore della base porta coltelli quindi stringere forte le viti a testa troncoconica.
4. E'importante che i coltelli siano allo stesso livello con il fianco interno della piastra porta coltelli, le fes- sure di sistemazione del coltello della pialla devono combaciare con le sporgenze del coltello e i talloni della piastra regolatore devono essere allo stesso livello della parte posteriore della base porta coltelli. Per ottenere un taglio uniforme controllare con cura questi allineamenti.
5. Far scivolare il tallone della piastra regolatore nell'incavo del rullo.

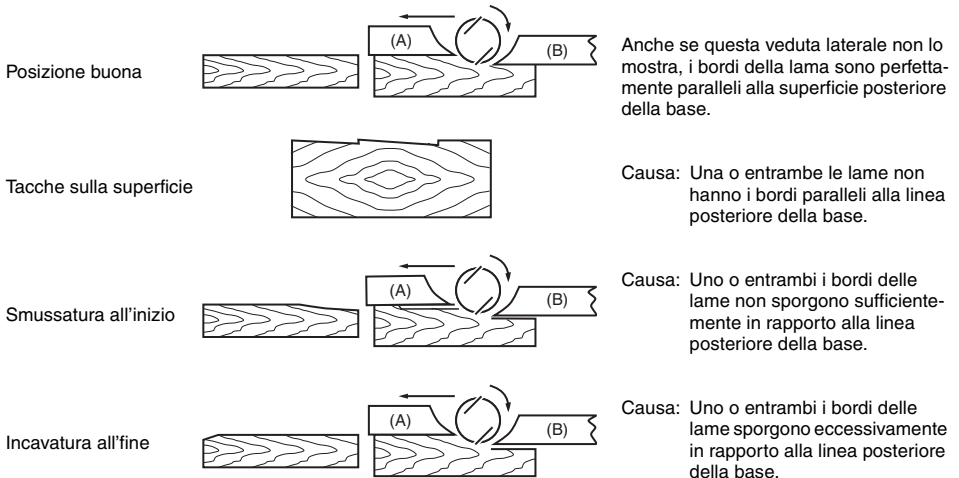
- Sistemare la piastra del rullo sopra la piastra regolatore/piastra di fissaggio, e avvitare i tre bulloni esagonali con bordino in modo che ci sia un gioco tra il rullo e la piastra di fissaggio per spingere la lama della minipialla in posizione. La lama viene posizionata dalle fessure di sistemazione della lama della piastra sulla piastra di fissaggio.
- Bisognerà usare le mani per sistemare bene le lame in tutta la loro lunghezza facendo in modo che le lame siano ben pulite ed equidistanti dal rullo da una parte e dai piani di taglio metallici.
- Stringere i tre bulloni esagonali con bordino (con la chiave in dotazione) e far ruotare il rullo con la mano per controllare le condizioni tra le estremità dei coltelli e il corpo dell'attrezzo.
- Dare un ultimo controllo alla pressione dei tre bulloni esagonali con bordino.
- Ripetere le procedure da 1 a 9 per gli altri coltelli.

### Per la migliore regolazione della lama della pialla

La superficie piallata sarà alla fine non liscia, se la lama non è montata esattamente. La lama deve essere montata in modo che il bordo di taglio sia assolutamente allineato, e cioè parallelo alla superficie della base posteriore.

Qui di seguito sono mostrati alcuni esempi di montaggi buoni o difettosi.

- (A) Base anteriore (Piano mobile)  
(B) Base posteriore (Piano fisso)



EN0004-1

### Collegamento di un aspirapolvere (Fig. 9)

#### NOTA:

- In alcune nazioni, la bocchetta potrebbe non essere in dotazione nell'imballo dell'utensile come accessorio standard.

#### Per utensili dotati di bocchetta

Collegare un tubo flessibile dell'aspirapolvere alla bocchetta.

#### Per utensili privi di bocchetta

- Rimuovere il paratruciolli dall'utensile.
- Installare sull'utensile la bocchetta utilizzando le viti.
- Collegare un tubo flessibile dell'aspirapolvere alla bocchetta.

#### Pulizia della bocchetta

Pulire la bocchetta a intervalli regolari. Utilizzare aria compressa per pulire la bocchetta intasata.

### FUNZIONAMENTO

#### ⚠ AVVERTIMENTO:

- Per ridurre il rischio di lesioni alle persone, non utilizzare senza la bocchetta o il paratruciolli applicati.

#### Funzionamento della piallatrice (Fig. 10)

Per usare l'utensile, tenerlo saldamente con una mano sulla manopola e con l'altra sul manico interruttore.

Prima cosa, appoggiare il piano anteriore dell'utensile sulla superficie del pezzo da lavorare senza che le lame vadano a contatto con nulla. Mettere in moto e aspettare che le lame arrivino alla massima velocità. Quindi muovere la pialla in avanti lentamente. All'inizio della piallatura esercitare pressione sulla parte anteriore dell'utensile, e nella parte posteriore alla fine della medesima. La piallatura riuscirà più facile se inclinate il pezzo da lavorare e lo fissate, in modo che si possa piallare un poco in discesa.

La velocità e profondità di taglio determinano il tipo di finitura. La piallatrice funziona ad una velocità che non permette l'ingolfamento dei trucioli. Per tagli alla buona la profondità di taglio può essere aumentata, mentre per ottenere una bella finitura si richiede una riduzione della profondità di taglio e di velocità di avanzamento.

### Giunti sovrapposti (scanalature) (Fig. 11, 12, 13, 14 e 15)

Per fare un taglio a scalino come mostrato nella Fig. 11, usare la guida laterale (righello guida).

Tracciare una linea di direzione del taglio sul pezzo da lavorare. Inserire la guida laterale nel foro sul davanti dell'utensile. Allineare le estremità delle lame con la linea di direzione del taglio. (Fig. 12)

Regolare la guida laterale finché viene in contatto con il lato del pezzo da lavorare, quindi fermarla fortemente stringendo le viti. (Fig. 13)

Durante la lavorazione di piallatura far avanzare l'utensile con la guida laterale in parallelo con il lato del pezzo da lavorare. Se non si fa così, si otterrà una piallatura irregolare.

La profondità massima del taglio a scalino (scanalature) è del 20 mm.

La lunghezza della guida può essere aumentata attaccando un ulteriore pezzo di legno. A questo scopo, sulla guida si trovano dei comodi fori, che servono anche per attaccare una guida di prolunga (accessorio opzionale). (Fig. 14)

#### ⚠ ATTENZIONE:

- Il bordo della lama deve sporgere leggermente fuori (0,3 mm – 0,6 mm). In caso contrario, si possono verificare intaccature e giunzioni a sovrapposizione generalmente scarse. (Fig. 15)

### Smussature (Fig. 16 e 17)

Per fare un taglio come mostrato nella Fig. 16 e 17, allineare la scanalatura a "V" della base frontale con il bordo del pezzo da lavorare e piallarlo.

## MANUTENZIONE

#### ⚠ ATTENZIONE:

- Prima di eseguire qualsiasi lavoro sulla macchina, accertatevi sempre che sia spenta e staccata dalla presa di corrente.
- Mai usare benzina, benzene, solventi, alcol e altre sostanze simili. Potrebbero causare scolorimenti, deformazioni o crepe.

Per preservare la SICUREZZA e l'AFFIDABILITÀ del prodotto, le riparazioni, l'ispezione e la sostituzione delle spazzole in carbonio e qualsiasi altro intervento di manutenzione o di regolazione devono essere eseguiti da un centro di assistenza autorizzato Makita, utilizzando sempre ricambi Makita.

### Affilatura delle lame della piallatrice (Fig. 18, 19 e 20)

#### Lame standard soltanto

Per delle prestazioni ottimali, mantenere sempre le lame affilate. Usare il supporto di affilatura per togliere le tacche e produrre un bordo affilato.

Allentare per prima cosa i due dadi ad alette sul supporto e inserire le lame (A) e (B) in modo che facciano contatto con i lati (C) e (D). Stringere poi i dadi ad alette.

Prima dell'affilatura, immergere nell'acqua per 2 o 3 minuti la pietra per affilare. Per l'affilatura simultanea allo stesso angolo, tenere il supporto in modo che entrambe le lame facciano contatto con la pietra per affilare.

## ACCESSORI OPZIONALI

#### ⚠ ATTENZIONE:

- Questi accessori o attrezzi sono consigliati per l'uso con l'utensile Makita specificato in questo manuale. L'impiego di altri accessori o attrezzi può costituire un rischio di lesioni alle persone. Usare gli accessori soltanto per il loro scopo prefissato.

Per ottenere maggiori dettagli su questi accessori, rivolgersi a un Centro Assistenza Makita autorizzato.

- Lama di acciaio pialla ad alta velocità
- Lama pialla al carburo di tungsteno (per una vita più lunga della lama)
- Lama piccola
- Gruppo supporto di affilatura
- Calibro lama
- Gruppo piastra di fissaggio
- Guida laterale (righello guida)
- Pietra di affilatura
- Chiave a bussola

#### NOTA:

- Alcuni articoli nella lista potrebbero essere inclusi nell'imballo dell'utensile come accessori standard. Essi potrebbero differire da Paese a Paese.

ENG905-1

## Rumore

Il tipico livello di rumore pesato A determinato secondo EN62841-2-14:

Livello pressione sonora ( $L_{PA}$ ): 88 dB (A)

Livello potenza sonora ( $L_{WA}$ ): 99 dB (A)

Incertezza (K): 3 dB (A)

ENG907-1

#### NOTA:

- Il valore o i valori dichiarati delle emissioni di rumori sono stati misurati in conformità a un metodo standard di verifica, e possono essere utilizzati per confrontare un utensile con un altro.
- Il valore o i valori dichiarati delle emissioni di rumori possono venire utilizzati anche per una valutazione preliminare dell'esposizione.

#### ⚠ AVVERTIMENTO:

- **Indossare protezioni per le orecchie.**
- **L'emissione di rumori durante l'utilizzo effettivo dell'utensile elettrico può variare rispetto al valore o ai valori dichiarati, a seconda dei modi in cui viene utilizzato l'utensile e specialmente a seconda di che tipo di pezzo venga lavorato.**
- **Accertarsi di identificare misure di sicurezza per la protezione dell'operatore che siano basate su una stima dell'esposizione nelle condizioni effettive di utilizzo (tenendo conto di tutte le parti del ciclo operativo, ad esempio del numero di spegnimenti dell'utensile e di quando giri a vuoto, oltre al tempo di attivazione).**

**Vibrazione**

Il valore totale di vibrazione (somma vettore triassiale) determinato secondo EN62841-2-14:

Modalità operativa: piallatura del legno dolce

Emissione di vibrazione ( $a_n$ ): 3,0 m/s<sup>2</sup>

Incertezza (K): 1,5 m/s<sup>2</sup>

ENG901-2

**NOTA:**

- Il valore o i valori complessivi delle vibrazioni dichiarati sono stati misurati in conformità a un metodo standard di verifica, e possono essere utilizzati per confrontare un utensile con un altro.
- Il valore o i valori complessivi delle vibrazioni dichiarati possono venire utilizzati anche per una valutazione preliminare dell'esposizione.

** AVVERTIMENTO:**

- **L'emissione delle vibrazioni durante l'utilizzo effettivo dell'utensile elettrico può variare rispetto al valore o ai valori dichiarati, a seconda dei modi in cui viene utilizzato l'utensile, specialmente a seconda di che tipo di pezzo venga lavorato.**
- **Accertarsi di identificare misure di sicurezza per la protezione dell'operatore che siano basate su una stima dell'esposizione nelle condizioni effettive di utilizzo (tenendo conto di tutte le parti del ciclo operativo, ad esempio del numero di spegnimenti dell'utensile e di quando giri a vuoto, oltre al tempo di attivazione).**

**DICHIARAZIONE DI CONFORMITÀ CE****Solo per i paesi europei**

La dichiarazione di conformità CE è inclusa come Allegato A al presente manuale di istruzioni.

**Verklaring van algemene gegevens**

1	Knop	13	Zijkant van mal	26	Einde
2	Trekkerschakelaar	14	Kaliberplaat	27	Schakelhandgreep
3	Vergrendelknop/Ontgrendelknop	15	Kalibervoet	28	Snijlijn
4	Bouten	16	Kruiskopschroef	29	Schroeven
5	Schaafblok	17	Vastzetnokjes schaafmes	30	Zijkantgeleider
6	Schaafmes	18	Hiel van afstelplaat	31	"V" groef
7	Schaafblokplaat	19	Aanzetplaat	32	Aanscherphouder
8	Afstelplaat	20	Binnenkant van kaliberplaat	33	Vleugelmoer
9	Binnenrand kaliberplaat	21	Mini schaafmes	34	Mes (A)
10	Mesrand	22	Groef	35	Mes (B)
11	Schroeven	23	Zeskante bout	36	Zijkant (C)
12	Hiel	24	Stofzuiger	37	Zijkant (D)
		25	Start		

**TECHNISCHE GEGEVENS**

GEB167-1

<b>Model</b>	<b>1100</b>
Schaafbreedte .....	82 mm
Schaafdiepte .....	3 mm
Sponningdiepte .....	20 mm
Toerental onbelast (min <sup>-1</sup> ) .....	18 000
Totale lengte .....	415 mm
Netto gewicht .....	5,1 kg
Veiligheidsklasse .....	□/II

- In verband met ononderbroken research en ontwikkeling behouden wij ons het recht voor bovenstaande technische gegevens te wijzigen zonder voorafgaande kennisgeving.
- De technische gegevens kunnen van land tot land verschillen.
- Gewicht volgens de EPTA-procedure 01/2014

ENE001-1

**Doeleinden van gebruik**

De machine is bedoeld voor het schaven van hout.

ENF002-2

**Stroomvoorziening**

Het gereedschap mag alleen worden aangesloten op een stroombron van hetzelfde voltage als aangegeven op de naamplaat, en kan alleen op enkel-fase wisselstroom worden gebruikt. Het gereedschap is dubbel-geïsoleerd en kan derhalve ook op een niet-geaard stopcontact worden aangesloten.

GEA010-2

**Algemene veiligheidsaanschuivingen voor elektrisch gereedschap**

**⚠ WAARSCHUWING** Lees alle veiligheidsaanschuivingen, aanwijzingen, afbeeldingen en technische gegevens behorend bij dit elektrische gereedschap aandachtig door. Als u niet alle onderstaande aanwijzingen naleeft, kan dat resulteren in brand, elektrische schokken en/of ernstig letsel.

**Bewaar alle waarschuwingen en instructies om in de toekomst te kunnen raadplegen.**

De term "elektrisch gereedschap" in de veiligheidsvoorschriften duidt op gereedschappen die op stroom van het lichtnet werken (met snoer) of gereedschappen met een accu (snoerloos).

**VEILIGHEIDSWAARSCHUWINGEN SPECIFIEK VOOR EEN ELEKTRISCHE SCHAAF**

- 1. Wacht totdat de schaafmessen stilstaan alvorens het gereedschap neer te leggen.** De blootliggende, ronddraaiende schaafmessen kunnen de ondergrond raken waardoor u de controle over het gereedschap kunt verliezen en ernstig letsel het gevolg kan zijn.
- 2. Houd het elektrisch gereedschap vast bij het geïsoleerde oppervlak omdat de schaafmessen met hun eigen snoer in aanraking kunnen komen.** Wanneer onder spanning staande draden worden geraakt, zullen de niet-geïsoleerde metalen delen van het gereedschap onder spanning komen te staan zodat de gebruiker een elektrische schok kan krijgen.
- 3. Gebruik klemmen of andere bevestigingsmiddelen om het werkstuk op een stabiel platform te bevestigen en te ondersteunen.** Als u het werkstuk in uw hand of tegen uw lichaam geklemd houdt, is het onvoldoende stabiel en kunt u de controle erover verliezen.
- 4. Poetsdoeken, lappen, snoeren, touwen en dergelijke mogen nooit rondslingeren op de werkplek.**
- 5. Voorkom dat u spijkers raakt. Inspecteer het werkstuk op spijkers en verwijder deze zo nodig voordat u ermee begint te werken.**
- 6. Gebruik uitsluitend scherpe schaafmessen. Behandel de schaafmessen voorzichtig.**
- 7. Controleer of de bevestigingsbouten van de schaafmessen stevig vastgedraaid zijn voordat u het gereedschap bedient.**
- 8. Houd het gereedschap met beide handen stevig vast.**
- 9. Houd uw handen uit de buurt van draaiende delen.**
- 10. Laat het gereedschap een tijdje draaien voordat u het op het werkstuk gebruikt. Controleer op trillingen of schommelingen die op onjuiste montage of slecht uitgebalanceerde schaafmessen kunnen wijzen.**
- 11. Zorg dat de schaafmessen het werkstuk niet raken voordat u de schakelaar inknipt.**
- 12. Wacht totdat de schaafmessen op volle snelheid draaien voordat u begint te schaven.**



13. Wacht na het uitschakelen altijd totdat de schaafmessen volledig stilstaan voordat u iets afstelt.
14. Steek nooit uw vinger in de houtsnippers-uitwerpopening. De houtsnippers-uitwerpopening kan verstopt raken bij het schaven van vochtig hout. Verwijder de houtsnippers met een stokje.
15. Laat het gereedschap niet onnodig ingeschakeld. Bedien het gereedschap alleen terwijl u het vasthoudt.
16. Vervang altijd beide schaafmessen of cilinderdekplaten tegelijk omdat anders de resulterende onbalans tot trillingen zal leiden en de levensduur van het gereedschap zal verkorten.
17. Gebruik uitsluitend schaafmessen van Makita die in deze gebruiksaanwijzing worden aangegeven.
18. Draag altijd het stofmasker/ademhalingsapparaat dat geschikt is voor het materiaal en de toepassing waarmee u werkt.

## BEWAAR DEZE VOORSCHRIFTEN.

### ⚠ WAARSCHUWING:

Laat u NIET misleiden door een vals gevoel van comfort en bekendheid met het gereedschap (na veelvuldig gebruik) en neem alle veiligheidsvoorschriften van het betreffende gereedschap altijd strikt in acht. VERKEERD GEBRUIK of het niet naleven van de veiligheidsvoorschriften in deze gebruiksaanwijzing kan leiden tot ernstige verwondingen.

## GEBRUIK VAN DE MACHINE

### ⚠ LET OP:

- Zorg altijd dat de machine is uitgeschakeld en zijn netsnoer uit het stopcontact is verwijderd voordat u functies op de machine gaat afstellen of controleren.

### Instellen van schaafdiepte (Fig. 1)

De schaafdiepte is heel eenvoudig in te stellen door de knop voor op de machine te verdraaien.

### Werking van de trekkerschakelaar

### ⚠ LET OP:

- Alvorens de machine op netstroom aan te sluiten, dient u altijd te controleren of de trekkerschakelaar behoorlijk werkt en bij het loslaten naar de "OFF" positie terugkeert.

### Voor machines met een vergrendelknop (Fig. 2)

Om de machine in te schakelen, drukt u gewoon de trekkerschakelaar in. Laat de schakelaar los om de machine uit te schakelen.

Voor continu gebruik, eerst de trekkerschakelaar en dan de vergrendelknop indrukken.

Om de machine vanuit de vergrendelde stand te stoppen, de trekkerschakelaar helemaal indrukken en deze dan loslaten.

### Voor machines met een ontgrendelknop (Fig. 2)

Een ontgrendelknop is voorzien om te voorkomen dat de trekkerschakelaar per toeval wordt ingedrukt.

Om de machine te starten, druk de ontgrendelknop in en druk dan de trekkerschakelaar in. Laat de schakelaar los om de machine uit te schakelen.

## INEENZETTEN

### ⚠ LET OP:

- Zorg altijd dat de machine is uitgeschakeld en zijn netsnoer uit het stopcontact is verwijderd voordat u enig werk aan de machine uitvoert.

## Verwijderen of installeren van schaafbeitsels

### ⚠ LET OP:

- Trek de bevestigingsbouten van de schaafbeitel goed aan wanneer u beitsels op de machine monteert. Een losse bevestigingsbout kan gevaar opleveren. Controleer altijd of de bouten goed zijn vastgezet.
- Behandel de beitsels uiterst voorzichtig. Gebruik handschoenen of doeken om uw vingers of handen te beschermen wanneer u de beitsels verwijdert of installeert.
- Gebruik voor het verwijderen of installeren van de beitsels uitsluitend de meegeleverde Makita sleutel. Bij gebruik van andere sleutels, kunnen de bevestigingsbouten te veel of te weinig worden aangedraaid. Dit kan verwonding veroorzaken.

### Voor machines met standaard-schaafmessen

#### (Fig. 3, 4 en 5)

Om de messen van het schaafblok te verwijderen, draait u met de soksleutel de drie bevestigingsbouten los. De schaafblokplaat komt tegelijk met de messen los.

Alvorens de nieuwe messen te installeren, verwijder eerst alle schaafrullen of verontreinigingen van het schaafblok of de messen. Gebruik messen van dezelfde afmetingen en hetzelfde gewicht, omdat het schaafblok anders zal slingeren of trillen, zodat de machine niet gelijk zal schaven en eventueel defect kan raken.

Plaats het mes zodanig op de kalibervoet, dat de scherpe kant van het mes volkomen vlak ligt met de binnenrand van de kaliberplaat. Plaats de afstelplaat op het mes, druk dan de hiel van de afstelplaat naar beneden totdat deze vlak ligt met de kalibervoet, en draai de twee schroeven op de afstelplaat vast. Schuif nu de hiel van de afstelplaat in de groef van het schaafblok, en plaats dan de schaafblokplaat erop. Draai alle bevestigingsbouten gelijkmatig en afwisselend vast met behulp van de soksleutel.

### Voor machines met mini-schaafmessen

#### (Fig. 6, 7 en 8)

1. Indien de machine pas is gebruikt, verwijdert u eerst het gebruikte schaafmessen. Maak vervolgens de oppervlakken van het schaafblok en de schaafblokplaat grondig schoon. Om de messen van het schaafblok te verwijderen, draait u met de soksleutel de drie bevestigingsbouten los. De schaafblokplaat komt tegelijk met de messen los.
2. Om de nieuwe messen te installeren, bevestig de afstelplaat losjes op de aanzetplaat met behulp van de kruiskopschroeven en plaats dan het minischaafmes zodanig op de kalibervoet, dat de scherpe kant van het mes volkomen vlak ligt met de binnenrand van de kaliberplaat.
3. Leg de afstelplaat/aanzetplaat zodanig op de mal dat de schaafmessen-positioneringslippen op de aanzetplaat in de gleuf van het minischaafmes vallen, duw daarna de hiel van de afstelplaat strak tegen de achterkant van de mal, en draai tenslotte de bolkop-schroeven vast.

- Het is belangrijk dat het schaafmes gelijk en vlak tegen de binnenkant van de kaliberplaat aanligt, dat de vastzetnokjes in de groef van het schaafmes rusten en dat de zool van de afstelplaat volkomen gelijk is met de zijkant van de mal. Controleer of dit zo is, aangezien de machine anders niet gelijk kan schaven.
- Schuif de zool van de afstelplaat in de groef van het schaafblok.
- Plaats de schaafblokplaat op de afstelplaat/aanzetplaat en draai de drie zeskantflensbouten vast, echter zo dat er een spleet blijft bestaan tussen het schaafblok en de aanzetplaat om het mini-schaafmes op z'n plaats te schuiven. Door de vastzetnokjes zal het mes op de aanzetplaat vastgehouden worden.
- De lengte van het mes dient met de hand zo te worden bijgesteld dat de uiteinden van het mes op gelijke afstand van de behuizing aan de ene kant en de metalen beugel aan de andere kant uitsteken.
- Draai de drie zeskantflensbouten vast (met de bijgeleverde soksleutel) en draai de cilinder rond om de speling te controleren tussen de uiteinden van het mes en de behuizing van het gereedschap.
- Controleer of de drie zeskante bouten goed zijn aangehouden.
- Herhaal de procedure, vanaf stap 1 tot en met 9 voor het monteren van een ander schaafmes.

### Voor de juiste mesinstelling

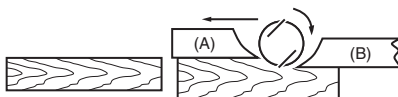
Uw schaafvlak zal ruw en ongelijk worden, indien het mes niet correct is ingesteld. Het mes moet dusdanig gemonteerd worden dat de zijkant absoluut gelijk ligt ofwel parallel met het vlak van de achterzool.

Onderstaand enkele voorbeelden van juiste en onjuiste instellingen.

(A) Voorzool (beweegbaar)

(B) Achterzool (vast)

Correcte instelling



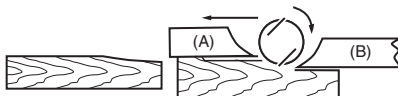
Ofschoon dit zijaanzicht het niet toont, draaien de sijkanten van het schaafbeitelmes perfect parallel met de achterzool.

Happen in het oppervlak



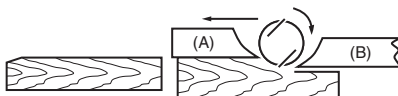
Oorzaak: Eén van beide schaafbeitel-messen staat niet parallel ingesteld met achterzool.

Gutsen bij het begin



Oorzaak: Eén van beide schaafbeitel-messen steekt niet voldoende uit in relatie tot achterzool.

Gutsen het eind



Oorzaak: Eén van beide schaafbeitel-messen steekt te ver uit in relatie tot achterzool.

EN0004-1

### Aansluiten van een stofzuiger (Fig. 9)

#### OPMERKING:

- In sommige landen is het mondstuk mogelijk niet inbegrepen in de doos van het gereedschap als standaard toebehoren.

#### Voor een gereedschap met mondstuk

Sluit de stofzuigerslang aan op het mondstuk.

#### Voor een gereedschap zonder mondstuk

- Verwijder de schaafselafdekking vanaf het gereedschap.
- Monteer het mondstuk op het gereedschap met behulp van de schroeven.
- Sluit de stofzuigerslang aan op het mondstuk.

### Het mondstuk reinigen

Reinig het mondstuk regelmatig.

Gebruik perslucht om een verstopt mondstuk te reinigen.

### BEDIENING

#### ⚠ WAARSCHUWING:

- Om de kans op letsel voor personen te verkleinen, mag u het gereedschap niet bedienen zonder dat het mondstuk of de schaafselafdekking is aangebracht.

#### Schaven (Fig. 10)

Houd het gereedschap tijdens het werk stevig vast met één hand aan de knop en de andere hand aan de schakelhandgreep.

Leg eerst het voorste zoolvlak plat op het oppervlak van het werkstuk, zonder dat de messen nog iets aanraken. Schakel de machine in en wacht totdat de messen op volle snelheid draaien. Hierna beweegt u de machine langzaam vooruit. Oefen druk uit op het voorste gedeelte van de machine als u begint te schaven en op het achterste gedeelte als het einde nadert. Het schaven gaat gemakkelijker als u het werkstuk een beetje schuin houdt, zodat u schaaft met de machine iets naar beneden gericht.

De snelheid waarmee u schaaft en de schaafdiepte bepalen het resultaat. De snelheid van de machine zelf is zodanig dat de spanen nooit klemraken. Voor ruw schaven kunt u de schaafdiepte vermeerderen, terwijl voor een goede afwerking de schaafdiepte verminderd moet worden en de machine langzamer vooruitbewogen dient te worden.

### Rabatten (overlappen) (Fig. 11, 12, 13, 14 en 15)

Gebruik de zijkantgeleider (liniaal) voor zijdelings schaven zoals afgebeeld in Fig. 11.

Breng op het werkstuk de snijlijn aan. Steek de zijkantgeleider in het gaatje aan de voorkant van de machine. Zet het mes op de snijlijn. (Fig. 12)

Stel de zijkantgeleider zodanig in dat deze volledig contact maakt met de zijkant van het werkstuk. Zet de geleider vervolgens vast door middel van de schroef. (Fig. 13)

U dient tijdens het schaven de zijkantgeleider steeds tegen de zijkant van het werkstuk te houden, aangezien anders de snede ongelijkmatig wordt.

De maximumdiepte bij rabatten (overlappen) is 20 mm. Soms is het wenselijk voor betere geleiding van de machine de geleider te verbreden. De geleider is voor dit doel voorzien van gaten, die ook kunnen dienen voor het bevestigen van een verlengstuk (los verkrijgbaar toebehoren). (Fig. 14)

#### ⚠ LET OP:

- De rand van het blad moet iets naar buiten steken (0,3 mm – 0,6 mm). Anders ontstaan inkepingen en een algemeen slechte rabat. (Fig. 15)

### Afschuinen (Fig. 16 en 17)

Voor het maken van sneden zoals afgebeeld in Fig. 16 en 17, zorg ervoor dat de "V" groef in het voorste voetstuk van de machine op de rand van het werkstuk rust.

## ONDERHOUD

#### ⚠ LET OP:

- Zorg er altijd voor dat de machine is uitgeschakeld en de stekker uit het stopcontact is verwijderd alvorens werken aan de machine uit te voeren.
- Gebruik nooit benzine, wasbenzine, thinner, alcohol en dergelijke. Hierdoor kunnen verkleuring, vervormingen en barsten worden veroorzaakt.

Om de VEILIGHEID en BETROUWBAARHEID van het gereedschap te handhaven, dienen alle reparaties, inspectie en vervanging van de koolborstels, en alle andere onderhoudswerkzaamheden of afstellingen te worden uitgevoerd bij een erkend Makita-servicecentrum of Makita-fabrieksservicecentrum, en altijd met gebruik van Makita-vervangingsonderdelen.

## Aanscherpen van de scharfmessen (Fig. 18, 19 en 20)

### Alleen voor standaard-scharfmessen

Houd uw scharfmessen altijd scherp om de best mogelijke resultaten te krijgen. Gebruik de aanscherphouder. Om bramen te verwijderen of de beitels aan te scherpen.

Draai eerst de twee vleugelmoeren op de houder los en steek messen (A) en (B) erin zodat deze met zijanten (C) en (D) in aanraking komen. Draai dan de twee vleugelmoeren vast.

Dompel de wetsteen voor 2 of 3 minuten in water alvorens aan te scherpen. Houd de aanscherphouder zodanig, dat beide messen met de wetsteen in aanraking komen voor gelijktijdig aanscherpen onder dezelfde hoek.

## OPTIONELE ACCESSOIRES

#### ⚠ LET OP:

- Deze accessoires of hulpstukken worden aanbevolen voor gebruik met het Makita machine dat in deze gebruiksaanwijzing is beschreven. Bij gebruik van andere accessoires of hulpstukken bestaat er gevaar voor persoonlijke verwonding. Gebruik de accessoires of hulpstukken uitsluitend voor hun bestemd doel.

Wenst u meer bijzonderheden over deze accessoires, neem dan contact op met het plaatselijke Makita servicecentrum.

- Snelstalen scharfmess
- Hardmetalen scharfmess (voor een langere levensduur van het mes)
- Mini-scharfmess
- Aanscherphouder
- Mesmeter
- Stel aanzetplaten
- Zijkantgeleider (liniaal)
- Wetsteen
- Soksluitel

#### OPMERKING:

- Sommige van de onderdelen in deze lijst kunnen bijgeleverd zijn als standaard-accessoires. Deze accessoires kunnen per land verschillend zijn.

ENG905-1

### Geluidsniveau

De typisch, A-gewogen geluidsniveaus vastgesteld volgens EN62841-2-14:

- Geluidsdrukniveau ( $L_{pA}$ ): 88 dB (A)
- Geluidsenergie-niveau ( $L_{WA}$ ): 99 dB (A)
- Onnauwkeurigheid (K): 3 dB (A)

ENG907-1

#### OPMERKING:

- De opgegeven geluidsemisiewaarde(n) is/zijn gemeenten volgens een standaardtestmethode en kan/kunnen worden gebruikt om dit gereedschap te vergelijken met andere gereedschappen.
- De opgegeven geluidsemisiewaarde(n) kan/kunnen ook worden gebruikt voor een beoordeling vooraf van de blootstelling.

### **⚠ WAARSCHUWING:**

- Draag gehoorbescherming.
- De geluidsemissie tijdens het gebruik van het elektrisch gereedschap in de praktijk kan verschillen van de opgegeven waarde(n) afhankelijk van de manier waarop het gereedschap wordt gebruikt, met name van het soort werkstuk waarmee wordt gewerkt.
- Zorg ervoor dat veiligheidsmaatregelen worden getroffen ter bescherming van de gebruiker die zijn gebaseerd op een schatting van de blootstelling onder praktijkomstandigheden (rekening houdend met alle fasen van de bedrijfscyclus, zoals de tijdsduur gedurende welke het gereedschap is uitgeschakeld en stationair draait, naast de ingeschakelde tijdsduur).

ENG900-1

### **Trilling**

De totaalwaarde van de trillingen (triaxiale vectorsom) vastgesteld volgens EN62841-2-14:

Toepassing: schaven van zachthout

Trillingsemissie ( $a_n$ ): 3,0 m/s<sup>2</sup>

Onnauwkeurigheid (K): 1,5 m/s<sup>2</sup>

ENG901-2

### **OPMERKING:**

- De totale trillingswaarde(n) is/zijn gemeten volgens een standaardtestmethode en kan/kunnen worden gebruikt om dit gereedschap te vergelijken met andere gereedschappen.
- De opgegeven totale trillingswaarde(n) kan/kunnen ook worden gebruikt voor een beoordeling vooraf van de blootstelling.

### **⚠ WAARSCHUWING:**

- De trillingsemissie tijdens het gebruik van het elektrisch gereedschap in de praktijk kan verschillen van de opgegeven waarde(n) afhankelijk van de manier waarop het gereedschap wordt gebruikt, met name van het soort werkstuk waarmee wordt gewerkt.
- Zorg ervoor dat veiligheidsmaatregelen worden getroffen ter bescherming van de gebruiker die zijn gebaseerd op een schatting van de blootstelling onder praktijkomstandigheden (rekening houdend met alle fasen van de bedrijfscyclus, zoals de tijdsduur gedurende welke het gereedschap is uitgeschakeld en stationair draait, naast de ingeschakelde tijdsduur).

## **EG-VERKLARING VAN CONFORMITEIT**

### **Alleen voor Europese landen**

De EG-verklaring van conformiteit is bijgesloten als Aanhangsel A bij deze gebruiksaanwijzing.

**Explicación de los dibujos**

1 Pomo	13 Lado posterior de la base de la placa de montaje	25 Comienzo
2 Gatillo de interruptor	14 Placa de montaje	26 Final
3 Botón de broqueo/Botón de seguridad	15 Base de la placa de montaje	27 Mango del interruptor
4 Pernos	16 Tornillo de cabeza redondeada	28 Línea de corte
5 Tambor	17 Soporte de cuchilla	29 Tornillo
6 Cuchilla	18 Talón de la placa de ajuste	30 Guía lateral
7 Placa del tambor	19 Placa de colocación	31 Ranura "V"
8 Placa de ajuste	20 Flanco interior de la placa de montaje	32 Maestro de afilado
9 Borde interior de la placa de montaje	21 Minicuchilla	33 Tuerca de mariposa
10 Borde de la cuchilla	22 Ranura	34 Cuchilla (A)
11 Tornillos	23 Perno de cabeza hexagonal	35 Cuchilla (B)
12 Talón	24 Aspirador	36 Lado (C)
		37 Lado (D)

**ESPECIFICACIONES**

GEB167-1

<b>Modelo</b>	<b>1100</b>
Anchura de cepillado .....	82 mm
Profundidad de cepillado .....	3 mm
Profundidad de galce .....	20 mm
Velocidad en vacío (min <sup>-1</sup> ) .....	18.000
Longitud total .....	415 mm
Peso neto .....	5,1 kg
Clase de seguridad .....	□/II

- Debido a un programa continuo de investigación y desarrollo, las especificaciones aquí dadas están sujetas a cambios sin previo aviso.
- Las especificaciones pueden ser diferentes de país a país.
- Peso de acuerdo con el procedimiento EPTA 01/2014

ENE001-1

**Uso previsto**

La herramienta ha sido prevista para cepillar madera.

ENF002-2

**Alimentación**

La herramienta ha de conectarse solamente a una fuente de alimentación de la misma tensión que la indicada en la placa de características, y sólo puede funcionar con corriente alterna monofásica. El sistema de doble aislamiento de la herramienta puede, por lo tanto, usarse también en enchufes hembra sin conductor de tierra.

GEA010-2

**Advertencias de seguridad para herramientas eléctricas en general**

**⚠ ADVERTENCIA** Lea todas las advertencias de seguridad, instrucciones, ilustraciones y especificaciones provistas con esta herramienta eléctrica. Si no sigue todas las instrucciones indicadas abajo podrá resultar en una descarga eléctrica, un incendio y/o heridas graves.

**Guarde todas las advertencias e instrucciones para futuras referencias.**

El término "herramienta eléctrica" en las advertencias se refiere a su herramienta eléctrica de funcionamiento con conexión a la red eléctrica (con cable) o herramienta eléctrica de funcionamiento a batería (sin cable).

**ADVERTENCIAS DE SEGURIDAD PARA EL CEPILLO**

1. **Espere hasta que el cortador se detenga antes de dejar la herramienta.** Un cortador expuesto girando puede entrar en contacto con la superficie dando lugar a la pérdida de control y heridas graves.
2. **Sujete la herramienta eléctrica por las superficies de asimiento aisladas, porque el cortador puede entrar en contacto con su propio cable.** Cortar un cable con corriente puede hacer que la corriente circule por las partes metálicas expuestas de la herramienta eléctrica y puede soltar una descarga eléctrica al operario.
3. **Utilice mordazas u otros medios de sujeción prácticos para sujetar y apoyar la pieza de trabajo en una plataforma estable.** Sujetada con su mano o contra el cuerpo, la pieza de trabajo estará inestable y podrá dar lugar a la pérdida del control.
4. **Los trapos, ropa, cables, cuerdas y por el estilo no deberán ser dejados nunca alrededor del área de trabajo.**
5. **Evite cortar clavos. Inspeccione la pieza de trabajo por si tiene clavos y retírelos todos antes de la operación.**
6. **Utilice solamente cuchillas afiladas. Maneje las cuchillas con mucho cuidado.**
7. **Asegúrese de que los pernos de instalación de la cuchilla están apretados firmemente antes de la operación.**
8. **Sujete la herramienta firmemente con ambas manos.**
9. **Mantenga las manos alejadas de las partes giratorias.**
10. **Antes de utilizar la herramienta en un pieza de trabajo definitiva, déjela funcionar durante un rato. Observe por si hay vibración o bamboleo que pueda indicar una mala instalación o un mal equilibrio de la cuchilla.**
11. **Asegúrese de que la cuchilla no está tocando la pieza de trabajo antes de activar el interruptor.**
12. **Espere hasta que la cuchilla alcance plena velocidad antes de cortar.**
13. **Apague siempre la herramienta y espere hasta que las cuchillas se hayan parado completamente antes de hacer cualquier ajuste.**

14. No meta nunca su dedo dentro del conducto de viruta. El conducto puede atascarse cuando se corta madera húmeda. Limpie las virutas con un palo.
15. No deje la herramienta en marcha. Opere la herramienta solamente cuando la tenga en las manos.
16. Cambie siempre ambas cuchillas o cubiertas del tambor, de lo contrario el desequilibrio resultante ocasionará vibración y acortará la vida útil de la herramienta.
17. Utilice solamente cuchillas Makita especificadas en este manual.
18. Utilice siempre la mascarilla contra el polvo/respirador correcto para el material y la aplicación con que esté trabajando.

## GUARDE ESTAS INSTRUCCIONES.

### ⚠️ ADVERTENCIA:

NO deje que la comodidad o familiaridad con el producto (a base de utilizarlo repetidamente) sustituya la estricta observancia de las normas de seguridad para el producto en cuestión.

El MAL USO o el no seguir las normas de seguridad establecidas en este manual de instrucciones podrá ocasionar graves heridas personales.

## DESCRIPCIÓN DEL FUNCIONAMIENTO

### ⚠️ PRECAUCIÓN:

- Asegúrese siempre de que la herramienta esté apagada y desenchufada antes de ajustar o comprobar cualquier función en la herramienta.

### Ajuste de la profundidad de corte (Fig. 1)

La profundidad de corte se puede ajustar simplemente girando el pomo de la parte frontal de la herramienta.

### Acción del interruptor

#### ⚠️ PRECAUCIÓN:

- Antes de conectar la herramienta, verifique siempre que el gatillo de interruptor funcione correctamente y vuelva a la posición "OFF" al dejarlo libre.

### Para máquinas con botón de bloqueo (Fig. 2)

Para arrancar la herramienta, apriete simplemente el gatillo. Déjelo libre el gatillo para detener la herramienta. Para realizar una operación continua, apriete el gatillo y luego presione hacia adentro el botón de bloqueo. Para detener la herramienta estando el botón en la posición de bloqueo, apriete completamente el gatillo y luego déjelo libre.

### Para máquinas con botón de seguridad (Fig. 2)

Para evitar apretar accidentalmente el gatillo se ha suministrado un botón de seguridad. Para arrancar la herramienta, presione el botón de seguridad y apriete el gatillo. Deje libre el gatillo para detener la herramienta.

## MONTAJE

### ⚠️ PRECAUCIÓN:

- Asegúrese siempre de que la herramienta esté apagada y desenchufada antes de realizar cualquier trabajo bajo en la herramienta.

## Desmontaje o instalación de las cuchillas del cepillo

### ⚠️ PRECAUCIÓN:

- Apriete los pernos de instalación de la cuchilla con cuidado cuando coloque las cuchillas en la herramienta. Un perno de instalación flojo puede ser peligroso. Compruebe siempre para cerciorarse de que están apretados firmemente.
- Maneje las cuchillas con mucho cuidado. Póngase guantes o utilice trapos para proteger sus dedos o manos cuando desmonte o instale las cuchillas.
- Utilice solamente la llave Makita provista para desmontar o instalar las cuchillas. De lo contrario, podrá producirse recalentamiento o un apretado insuficiente de los pernos de instalación. Esto podría ocasionar una herida.

### Para herramientas con cuchillas estándar de cepilladora (Fig. 3, 4 y 5)

Para extraer las cuchillas del tambor, desenrosque los tres pernos de instalación con una llave para tuercas. La placa del tambor se extrae junto con las cuchillas.

Para instalar las cuchillas, limpie primero todas las virutas o materiales extraños adheridos al tambor o a las cuchillas. Utilice cuchillas de las mismas dimensiones y peso, o se producirán oscilaciones/vibraciones, provocando una acción de cepillado imperfecta y, eventualmente, la rotura de la herramienta.

Ponga la cuchilla sobre la base de la placa de montaje de forma que el borde de corte de la cuchilla quede perfectamente en el mismo plano que el flanco interior de la placa de montaje. Ponga la placa de ajuste sobre la cuchilla, luego presione simplemente hacia dentro el talón de la placa de ajuste para ponerlo en el mismo plano que la parte posterior de la base de montaje y apriete los dos tornillos de la placa de ajuste. A continuación deslice el talón de la placa de ajuste hacia el interior de la ranura del tambor, y luego encaje la placa del tambor sobre ella. Apriete todos los pernos de instalación de manera uniforme y alternativa con la llave de tuercas.

### Para herramientas con minicuchillas de cepilladora (Fig. 6, 7 y 8)

1. Extraiga la cuchilla instalada, si la herramienta ha sido utilizada, y limpie cuidadosamente las superficies del tambor y la placa del tambor. Para extraer las cuchillas del tambor, desenrosque los tres pernos de instalación con la llave de tuercas. La placa del tambor se extrae junto con las cuchillas.
2. Para instalar las cuchillas, coloque, sin apretar, la placa de ajuste en la placa de colocación con los tornillos de cabeza redondeada, y ponga la minicuchilla de cepilladora en la base de la placa de montaje de forma que el borde de corte de la cuchilla quede perfectamente en el mismo plano que el flanco interior de la placa de montaje.
3. Coloque la placa de ajuste/la placa de colocación en la base de la placa de montaje de manera que el soporte de cuchilla de la cuchilla de la cepilladora de la placa de colocación descansen en la ranura de la minicuchilla de la cepilladora, luego presione en el talón de la placa de ajuste empotrándolo en el lado posterior de la base de la placa de montaje y apriete los tornillos de cabeza redondeada.

- Es importante que la cuchilla quede bien empotrada con el flanco interior de la placa de montaje, que las soportes de cuchilla de la cuchilla de la cepilladora se asienten en la ranura de la cuchilla y el talón de la placa de ajuste se empotre en el lado posterior de la placa de montaje. Verifique esta alineación cuidadosamente para asegurar un corte uniforme.
- Deslice el talón de la placa de ajuste por la ranura del tambor.
- Coloque la placa del tambor encima de la placa de ajuste/placa de colocación y rosque los tres pernos de cabeza hexagonal de manera que quede una rendija entre el tambor y la placa de colocación para deslizar la minicuchilla a su posición. La cuchilla será mantenida en posición mediante los soportes de cuchilla en la placa de colocación.
- El ajuste longitudinal de la cuchilla deberá posicionarse manualmente de manera que los extremos estén libres y equidistantes de la cubierta por un lado y de la ménsula metálica por el otro.
- Ajuste los tres pernos de cabeza hexagonal (con la llave de tuercas suministrada) y gire el tambor con la mano para comprobar si existen holguras entre los extremos de la cuchilla y el cuerpo de la herramienta.
- Verifique los tres pernos de cabeza hexagonal para un ajuste final.
- Repita los procedimientos del 1 al 9 para la otra cuchilla.

### Para el ajuste correcto de la cuchilla de cepilladora

Su superficie de cepillado quedará tosca y desnivelada, a no ser que la cuchilla sea ajustada adecuada y fuertemente. La cuchilla debe montarse de tal manera que el borde cortante esté absolutamente nivelado, es decir, paralelo a la superficie de la base trasera.

Debajo hay algunos ejemplos de ajustes buenos y malos.

- (A) Base frontal (zapata móvil)
- (B) Base trasera (zapata estacionaria)

Ajuste correcto		Aun cuando esta vista lateral no deje verlo, los bordes de las cuchillas corren perfectamente paralelos a la superficie de la base trasera.
Superficie con muescas		Causa: Una o ambas cuchillas no tiene el borde paralelo a la línea de la base trasera.
Escopleado al principio		Causa: Uno o ambos bordes de la cuchilla no sobresale suficientemente en relación a la línea de la base trasera.
Escopleado al fin		Causa: Uno o ambos bordes de la cuchilla sobresale demasiado en relación a la base trasera.

EN0004-1

### Conexión de un aspirador (Fig. 9)

#### NOTA:

- En algunos países, la boquilla puede no estar incluida en el paquete de la herramienta como accesorio estándar.

#### Para herramienta con boquilla

Conecte una manguera del aspirador a la boquilla.

#### Para herramienta sin boquilla

- Retire la cubierta contra virutas de la herramienta.
- Instale la boquilla en la herramienta utilizando los tornillos.
- Conecte una manguera del aspirador a la boquilla.

### Limpieza de la boquilla

Limpie la boquilla regularmente.

Utilice aire comprimido para limpiar la boquilla obstruida.

### OPERACIÓN

#### ⚠ ADVERTENCIA:

- Para reducir el riesgo de causar heridas a personas, no utilice sin haber instalado la boquilla o la cubierta contra virutas.

## Operación de cepillado (Fig. 10)

Sujete la herramienta firmemente con una mano en el pomo y la otra mano en el mango del interruptor cuando utilice la herramienta.

Primeramente, ponga la herramienta descansando sobre su base sobre la pieza de trabajo sin que las cuchillas hagan contacto con ella. Conecte la herramienta y espere a que las cuchillas alcancen su velocidad máxima. Luego mueva la herramienta con cuidado hacia adelante. Aplique presión sobre la parte frontal de la herramienta al comienzo del cepillado. El cepillado resultará más fácil si la pieza de trabajo es afianzada firmemente, de manera que se pueda cepillar hacia abajo.

La velocidad y la profundidad de corte determinan el tipo de acabado. La fuerza motriz de la cepilladora corta a una velocidad a la que no se producirán atascos por las virutas. Para un corte tosco se debe incrementar la profundidad de corte, mientras que para un buen acabado se debe reducir la profundidad de corte y avanzar la herramienta más lentamente.

## Rebaje a media madera (ranurado) (Fig. 11, 12, 13, 14 y 15)

Para hacer un corte escalonado como se muestra en la Fig. 11, use la guía lateral (Regla guía).

Dibuje una línea de corte en la pieza de trabajo. Inserte la guía lateral en el orificio en la parte frontal de la herramienta. Alinee el filo de la cuchilla con la línea de corte. (Fig. 12)

Ajuste la guía lateral hasta que contacte con el lado de la pieza de trabajo, luego asegúrelo apretando el tornillo-pomo. (Fig. 13)

Cuando esté cepillando, mueva la herramienta con la guía lateral acoplado al lado de la pieza de trabajo. De otra manera, resultará un cepillado desigual.

La profundidad máxima del rebaje a media madera (ranurado) es de 20 mm.

Quizás quiera añadir un pedazo adicional de madera extendiendo así la longitud de la guía lateral. Encontrará unos orificios en la guía lateral que le resultarán muy convenientes para este propósito, y también para acoplar una guía de extensión (accesorio opcional). (Fig. 14)

### ⚠ PRECAUCIÓN:

- El borde de la cuchilla sólo deberá sobresalir ligeramente (0,3 mm – 0,6 mm). De lo contrario, se producirán muescas y operaciones de rebaje de malos resultados en general. (Fig. 15)

## Biselado (Fig. 16 y 17)

Para hacer un corte como el que se muestra en las Fig. 16 y 17, alinee la ranura en "V" de la base delantera con el borde de la pieza de trabajo y cepíllela.

## MANTENIMIENTO

### ⚠ PRECAUCIÓN:

- Asegúrese siempre de que la herramienta esté desconectada y desenchufada antes de realizar ninguna reparación en ella.
- No utilice nunca gasolina, bencina, disolvente, alcohol o similares. Podría producir descoloración, deformación o grietas.

Para mantener la SEGURIDAD y FIABILIDAD del producto, las reparaciones, la inspección y el reemplazo de la escobilla de carbón, y cualquier otra tarea de mantenimiento o ajuste deberán ser realizados en centros de servicio autorizados o de fábrica de Makita, empleando siempre repuestos Makita.

## Afilado de las cuchillas de la cepilladora (Fig. 18, 19 y 20)

### Para cuchillas estándar solamente

Mantenga siempre afiladas las cuchillas para conseguir el mejor resultado posible. Utilice el maestro de afilado para evitar las mellas y conseguir un buen filo.

Primero, afloje las dos tuercas de mariposa del soporte e inserte las cuchillas (A) y (B) de manera que toquen los lados (C) y (D). Luego apriete las tuercas de mariposa.

Sumerja la piedra afiladora en agua durante unos 2 ó 3 minutos antes del afilado. Sostenga el soporte de manera que ambas cuchillas toquen la piedra afilador para realizar un afilado simultáneo al mismo ángulo.

## ACCESORIOS OPCIONALES

### ⚠ PRECAUCIÓN:

- Estos accesorios o aditamentos están recomendados para su uso con la herramienta Makita especificada en este manual. El uso de cualquier otro accesorio o aditamento puede suponer un riesgo de lesiones personales. Utilice el accesorio o aditamento exclusivamente para su uso declarado.

Si necesita información más detallada sobre estos accesorios, consulte con su centro local de servicio de Makita.

- Cuchilla de acero de alta velocidad
- Cuchilla de carburo de tungsteno (Para mayor duración de la cuchilla)
- Minicuchilla
- Conjunto de maestro de afilado
- Calibrador de cuchilla
- Juego de placa de colocación
- Guía lateral (Regla guía)
- Piedra de asentar
- Llave de tuercas

### NOTA:

- Algunos elementos de la lista podrán estar incluidos en el paquete de la herramienta como accesorios estándar. Pueden variar de un país a otro.

ENG905-1

## Ruido

El nivel de ruido A-ponderado típico determinado de acuerdo con la norma EN62841-2-14:

Nivel de presión sonora ( $L_{pA}$ ): 88 dB (A)

Nivel de potencia sonora ( $L_{WA}$ ): 99 dB (A)

Error (K): 3 dB (A)

ENG907-1

### NOTA:

- El valor (o los valores) de emisión de ruido declarado ha sido medido de acuerdo con un método de prueba estándar y se puede utilizar para comparar una herramienta con otra.
- El valor (o valores) de emisión de ruido declarado también se puede utilizar en una valoración preliminar de exposición.



### **ADVERTENCIA:**

- Póngase protectores para oídos.
- La emisión de ruido durante la utilización real de la herramienta eléctrica puede variar del valor (o los valores) de emisión declarado dependiendo de las formas en las que la herramienta sea utilizada, especialmente qué tipo de pieza de trabajo se procesa.
- Asegúrese de identificar medidas de seguridad para proteger al operario que estén basadas en una estimación de la exposición en las condiciones reales de utilización (teniendo en cuenta todas las partes del ciclo operativo como las veces cuando la herramienta está apagada y cuando está funcionando en vacío además del tiempo de gatillo).

ENG900-1

### **Vibración**

El valor total de la vibración (suma de vectores triaxiales) determinado de acuerdo con la norma EN62841-2-14:

Modo tarea: cepillado de madera blanda

Emisión de vibración ( $a_h$ ): 3,0 m/s<sup>2</sup>

Error (K): 1,5 m/s<sup>2</sup>

ENG901-2

### **NOTA:**

- El valor (o los valores) total de emisión de vibración declarado ha sido medido de acuerdo con un método de prueba estándar y se puede utilizar para comparar una herramienta con otra.
- El valor (o los valores) total de emisión de vibración declarado también se puede utilizar en una valoración preliminar de exposición.

### **ADVERTENCIA:**

- La emisión de vibración durante la utilización real de la herramienta eléctrica puede variar del valor (o los valores) de emisión declarado dependiendo de las formas en las que la herramienta sea utilizada, especialmente qué tipo de pieza de trabajo se procesa.
- Asegúrese de identificar medidas de seguridad para proteger al operario que estén basadas en una estimación de la exposición en las condiciones reales de utilización (teniendo en cuenta todas las partes del ciclo operativo como las veces cuando la herramienta está apagada y cuando está funcionando en vacío además del tiempo de gatillo).

## **DECLARACIÓN CE DE CONFORMIDAD**

### **Sólo para países europeos**

La declaración CE de conformidad está incluida como Anexo A de este manual de instrucciones.

**Explicação geral**

1 Botão	13 Lado posterior da base do afinador	24 Aspirador
2 Gatilho do interruptor	14 Placa do afinador	25 Começo
3 Botão de bloqueio/desbloqueio	15 Base do afinador	26 Fim
4 Pernos	16 Parafuso philips	27 Pega de ligar
5 Tambor	17 Alojamentos para a mini-lâmina	28 Linha de corte
6 Lâmina	18 Talão da placa de ajuste	29 Parafuso
7 Placa do tambor	19 Placa de suporte da lâmina	30 Guia paralela
8 Placa de ajuste	20 Face interior da placa do afinador	31 Ranhura "V"
9 Face interior da placa do afinador	21 Mini-lâmina	32 Suporte para afiar
10 Aresta da lâmina	22 Ranhura	33 Porca de orelhas
11 Parafusos	23 Perno com cabeça hexagonal	34 Lâmina (A)
12 Talão		35 Lâmina (B)
		36 Lado (C)
		37 Lado (D)

**ESPECIFICAÇÕES**

GEB167-1

<b>Modelo</b>	<b>1100</b>
Largura da lâmina .....	82 mm
Profundidade de corte .....	3 mm
Desbaste .....	20 mm
Velocidade em vazio (min <sup>-1</sup> ) .....	18.000
Comprimento total .....	415 mm
Peso líquido .....	5,1 kg
Classe de segurança.....	□/II

- Devido ao nosso programa contínuo de pesquisa e desenvolvimento, as características indicadas neste documento estão sujeitas a alterações sem aviso prévio.
- As especificações podem diferir de país para país.
- Peso de acordo com o Procedimento 01/2014 da EPTA (European Power Tool Association)

ENE001-1

**Utilização a que se destina**

A ferramenta foi concebida para plainar madeira.

ENF002-2

**Alimentação**

A ferramenta só deve ser ligada a uma fonte de alimentação com a mesma voltagem da indicada na placa de características, e só funciona com alimentação de corrente alterna monofásica. Tem um sistema de isolamento duplo e pode, por isso, utilizar tomadas sem ligação à terra.

GEA010-2

**Avisos gerais de segurança para ferramentas eléctricas**

**⚠ AVISO Leia todos os avisos de segurança, instruções, ilustrações e especificações fornecidos com esta ferramenta eléctrica.** O não cumprimento de todas as instruções indicadas em baixo pode resultar em choque eléctrico, incêndio e/ou ferimentos graves.

**Guarde todos os avisos e instruções para futuras referências.**

O termo "ferramenta eléctrica" nos avisos refere-se às ferramentas eléctricas ligadas à corrente eléctrica (com cabo) ou às ferramentas eléctricas operadas por meio de bateria (sem cabo).

**AVISOS DE SEGURANÇA DA PLAINA**

1. **Aguarde que o cortador pare antes de colocar a ferramenta em baixo.** Um cortador rotativo exposto pode prender na superfície levando a possível perda de controlo e a ferimentos graves.
2. **Segure a ferramenta eléctrica pelas superfícies de agarramento isoladas, porque o cortador pode entrar em contacto com o seu próprio cabo.** Cortar um fio sob tensão poderá colocar peças metálicas expostas da ferramenta eléctrica sob tensão e pode causar um choque eléctrico no operador.
3. **Utilize braçadeiras ou outra forma prática de fixar e suportar a peça de trabalho numa plataforma estável.** Segurar a peça de trabalho com a mão ou contra o corpo deixa-a instável e pode levar a perda de controlo.
4. **Os trapos, panos, cabos, cordas e outros semelhantes não devem ser deixados junto da área de trabalho.**
5. **Evite cortar pregos.** Inspeccione e remova todos os pregos da peça de trabalho antes da operação.
6. **Utilize apenas lâminas afiadas.** Manuseie as lâminas com extremo cuidado.
7. **Certifique-se de que os pernos de instalação da lâmina estão bem apertados antes da operação.**
8. **Segure a ferramenta firmemente com as duas mãos.**
9. **Mantenha as mãos afastadas das peças rotativas.**
10. **Antes de utilizar a ferramenta numa peça de trabalho real, deixe-a a funcionar durante algum tempo.** Verifique se existem vibrações ou movimentos irregulares que possam indicar má instalação ou uma lâmina mal equilibrada.
11. **Certifique-se de que a lâmina não está em contacto com a peça de trabalho antes de o interruptor ser ligado.**
12. **Aguarde até a lâmina atingir a velocidade máxima antes de cortar.**
13. **Desligue sempre e espere que as lâminas parem completamente antes de ajustar.**
14. **Nunca leve o seu dedo até ao separador de aparas.** O separador pode encravar quando cortar madeira húmida. Limpe as aparas com um pau.

15. Não deixe a ferramenta a funcionar. Opere a ferramenta apenas quando a tiver nas mãos.
16. Mude sempre as duas lâminas ou tampas no tambor, caso contrário o desequilíbrio resultante provocará vibrações e uma menor vida útil da ferramenta.
17. Utilize apenas lâminas Makita especificadas neste manual.
18. Utilize sempre a máscara contra o pó/respirador correto relativamente ao material e à aplicação em que está a trabalhar.

## GUARDE ESTAS INSTRUÇÕES.

### ⚠ AVISO:

**NÃO permita que o conforto ou a familiaridade com o produto (adquirido com o uso repetido) substitua a adesão estrita às regras de segurança da ferramenta. A MÁ INTERPRETAÇÃO ou o não seguimento das regras de segurança estabelecidas neste manual de instruções pode causar danos pessoais graves.**

## INSTRUÇÕES DE FUNCIONAMENTO

### ⚠ PRECAUÇÃO:

- Certifique-se sempre de que a ferramenta está desligada e a ficha retirada da tomada antes de regular ou verificar as funções da ferramenta.

### Regulação da profundidade de corte (Fig. 1)

Para regular a profundidade de corte basta rodar o botão existente na parte frontal da ferramenta.

### Interruptor

#### PRECAUÇÃO:

- Antes de ligar a ferramenta verifique sempre se o gatilho funciona correctamente e volta para a posição "OFF" quando libertado.

### Para ferramenta com botão de bloqueio (Fig. 2)

Para ligar a ferramenta, carregue no gatilho. Liberte-o para parar.

Para operação contínua, carregue no gatilho e em seguida empurre o botão de bloqueio.

Para parar a ferramenta a partir da posição de bloqueio carregue completamente no gatilho e em seguida liberte-o.

### Para ferramenta com botão de desbloqueio (Fig. 2)

Para evitar que carregue acidentalmente no gatilho existe um botão de desbloqueio.

Para ligar a ferramenta, pressione o botão de desbloqueio e carregue no gatilho. Liberte-o para parar.

## CONJUNTO

### ⚠ PRECAUÇÃO:

- Certifique-se sempre de que a ferramenta está desligada e a ficha retirada da tomada antes de executar qualquer trabalho na ferramenta.

### Retirar ou instalar as lâminas da plaina

#### ⚠ PRECAUÇÃO:

- Aperte cuidadosamente os pernos de instalação da lâmina quando prende a lâmina à ferramenta. Um perno de instalação solto pode ser perigoso. Verifique sempre que estão instalados seguramente.
- Pegue nas lâminas com cuidado. Use luvas ou um bocado de pano para proteger os seus dedos e mãos quando retira ou instala as lâminas.

- Só utilize a chave da Makita fornecida para retirar ou instalar as lâminas. Se assim não for pode resultar em aperto excessivo ou insuficiente dos pernos de instalação. Pode causar danos.

### Para a ferramenta com lâminas planas (HSS)

#### (Fig. 3, 4 e 5)

Para retirar as lâminas do tambor, desaperte os três pernos de instalação com a chave de tubo. A placa do tambor solta-se juntamente com as lâminas.

Para colocar as lâminas, limpe primeiro as aparas ou partículas que tenham aderido às lâminas ou ao tambor. Utilize lâminas com as mesmas dimensões e peso a fim de evitar vibrações/oscilações que poderão provocar um corte imperfeito e possíveis avarias da ferramenta.

Coloque a lâmina na base do afinador de modo que a aresta de corte da lâmina se ajuste à face interior da placa do afinador. Coloque a placa de ajuste sobre a lâmina, pressione o talão da placa de ajuste no lado posterior da base do afinador e aperte os dois parafusos na placa de ajuste. Em seguida deslize o talão da placa de ajuste para a ranhura no tambor e coloque a placa do tambor. Aperte todos os pernos de instalação igual e alternadamente com a chave de tubo.

### Para a ferramenta com mini-lâminas de plaina

#### (Fig. 6, 7 e 8)

1. Retire a lâmina existente, se a ferramenta foi utilizada, e limpe cuidadosamente as superfícies do tambor e a placa do tambor. Para retirar as lâminas do tambor, desaperte os três parafusos de instalação com a chave de tubo. A placa do tambor solta-se juntamente com as lâminas.
2. Para colocar as lâminas, instale sem apertar a placa de ajuste na placa de suporte com os parafusos philips e coloque a mini-lâmina de plaina na base do afinador, de modo que a aresta de corte coincida perfeitamente com a face interior da placa do afinador.
3. Coloque o conjunto placa de ajuste + placa de suporte da mini-lâmina na base do afinador de maneira que os alojamentos para a mini-lâmina na placa de suporte se introduzam na ranhura da mini-lâmina. Seguidamente carregue no talão da placa de ajuste, introduzindo-o no lado posterior da base do afinador, apertando os parafusos philips.
4. É importante que:
  - a) A lâmina fique bem encostada com a face interior da placa do afinador.
  - b) Que os alojamentos para a mini-lâmina se introduzam na ranhura da lâmina.
  - c) Que o talão da placa de ajuste fique encostado no lado posterior da base do afinador.
 Verifique com cuidado se procedeu em conformidade, a fim de garantir um corte uniforme.
5. Deslize o talão da placa de ajuste pela ranhura do tambor.
6. Coloque a placa do tambor sobre a placa de ajuste/placa de suporte e aperte os três pernos de cabeça hexagonal de modo que fique espaço entre o tambor e a placa de suporte para deslizar a mini-lâmina até ao seu lugar. Os alojamentos para a mini-lâmina mantê-la-ão segura na placa de suporte.
7. O ajuste do comprimento da lâmina deverá ser feito manualmente, de maneira que as extremidades fiquem livres e à mesma distância quer da placa do tambor quer da base metálica.

8. Aperte os três pernos de cabeça hexagonal (com a chave de tubo incluída) e rode o tambor com a mão para verificar se existem folgas entre as extremidades da lâmina e a carcaça da ferramenta.
9. Verifique se os três pernos de cabeça hexagonal estão bem apertados.
10. Repita os procedimentos indicados nos números 1 a 9 para colocar a outra lâmina.

### Regulação correcta da lâmina de corte

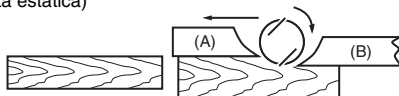
Se a lâmina não ficar apertada e regulada de maneira adequada, a superfície de trabalho ficará imperfeita e desnivelada. A lâmina deve ser colocada de modo que a sua extremidade de corte fique absolutamente nivelada, isto é, paralela à superfície da base traseira.

A seguir poderá observar alguns exemplos de regulações bem e mal feitas.

(A) Base frontal (sapata móvel)

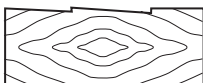
(B) Base traseira (sapata estática)

Regulação correcta



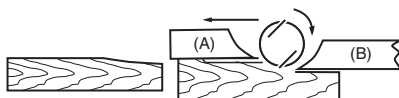
Embora esta perspectiva lateral não mostre, as extremidades das lâminas deslizam perfeitamente paralelas à superfície da base traseira.

Superfície com desníveis



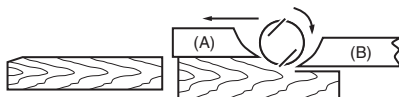
Causa: Uma ou ambas as lâminas não têm as extremidades paralelas à linha da base traseira.

Inclinação no princípio da peça



Causa: Uma ou ambas as extremidades da lâmina não sobressaem suficientemente em relação à linha da base traseira.

Inclinação na saída



Causa: Uma ou ambas as extremidades da lâmina sobressaem demasiado em relação à base traseira.

EN0004-1

### Ligação a um aspirador (Fig. 9)

#### NOTA:

- Em alguns países, o bocal pode não estar incluído na embalagem da ferramenta como acessório padrão.

#### Para ferramentas com bocal

Ligue uma mangueira do aspirador ao bocal.

#### Para ferramentas sem bocal

1. Retire a tampa para as aparas da ferramenta.
2. Instale o bocal na ferramenta utilizando os parafusos.
3. Ligue uma mangueira do aspirador ao bocal.

#### Limpeza do bocal

Limpe o bocal regularmente.

Utilize ar comprimido para limpar o bocal entupido.

### OPERAÇÃO

#### ⚠ AVISO:

- **Para reduzir o risco de ferimentos em pessoas, não trabalhe se o bocal ou a tampa para as aparas não estiverem instalados.**

#### Corte (Fig. 10)

Ao utilizar a ferramenta, agarre-a firmemente com uma mão no botão e a outra na pega de ligar.

Comece por colocar a ferramenta com a base sobre a superfície de trabalho, sem que as lâminas lhe toquem. Ligue a ferramenta e aguarde que as lâminas atinjam a sua velocidade máxima. Movimente a ferramenta com cuidado, para a frente. No início do corte faça pressão na parte dianteira da ferramenta. Facilitará o corte se a superfície de trabalho estiver bem segura, permitindo cortar até abaixo.

A velocidade e a profundidade de corte são determinantes para o tipo de acabamento. A força motriz da plaina corta a uma velocidade que não origina acumulação de aparas. Se desejar um corte rudimentar deverá aumentar a profundidade de corte, enquanto que para um acabamento perfeito deverá reduzir a profundidade de corte e movimentar a ferramenta lentamente.

## Corte escalonado – Rebaixo (encaixe)

(Fig. 11, 12, 13, 14 e 15)

Para fazer um corte escalonado como indicado na Fig. 11, utilize uma guia paralela (Regua guia).

Desenhe uma linha de corte na superfície de trabalho. Introduza a guia paralela no orifício existente na parte frontal da ferramenta. Alinhe a aresta de corte da lâmina com a linha de corte. (Fig. 12)

Regule a guia paralela até tocar no bordo da superfície de trabalho e segure-a apertando o parafuso. (Fig. 13)

Quando estiver a cortar com uma plaina que tenha uma guia paralela acoplada, movimente-a pelo bordo da superfície de trabalho. Caso contrário, o corte será irregular.

A profundidade máxima de corte escalonado é de 20 mm.

Poderá aumentar o comprimento da guia paralela colocando uma régua de madeira adicional. Existem uns orifícios na guia paralela para esse fim e também para colocar uma extensão de guia (acessório opcional). (Fig. 14)

### PRECAUÇÃO:

- A aresta de corte da lâmina deve ficar ligeiramente saliente (0,3 mm – 0,6 mm). Se assim não for não execute o corte. (Fig. 15)

## Chanfro (Fig. 16 e 17)

Para fazer um corte como o indicado nas Fig. 16 e 17, alinhe a ranhura “V” da base frontal com o bordo da superfície de trabalho e aplaine.

## MANUTENÇÃO

### ⚠ PRECAUÇÃO:

- Certifique-se sempre de que a ferramenta está desligada e a ficha retirada da tomada antes de efectuar qualquer inspecção e manutenção.
- Nunca utilize gasolina, benzina, diluente, álcool ou produtos semelhantes. Pode ocorrer a descoloração, deformação ou rachaduras.

Para manter a SEGURANÇA e a FIABILIDADE do produto, as reparações, a inspecção e substituição das escovas de carvão e qualquer outra manutenção ou ajuste devem ser levados a cabo pelos centros de assistência autorizados ou pelos centros de assistência de fábrica Makita, utilizando sempre peças de substituição Makita.

## Afiar as lâminas de corte (Fig. 18, 19 e 20)

### Só para lâminas planas (HSS)

Para obter os melhores resultados de trabalho mantenha sempre as lâminas bem afiadas. Utilize o suporte para afiar para evitar estragos e conseguir um bom fim.

Em primeiro lugar, desaperte as duas porcas de orelhas e introduza as lâminas (A) e (B) de maneira que toquem os lados (C) e (D). Seguidamente, aperte as porcas de orelhas.

Introduza a pedra de amolar na água durante cerca de 2 ou 3 minutos. Segure o suporte de maneira que ambas as lâminas toquem na pedra de amolar, a fim de que sejam afiadas em simultâneo e no mesmo ângulo.

## ACESSÓRIOS OPCIONAIS

### ⚠ PRECAUÇÃO:

- Estes acessórios ou peças são recomendados para utilização com a ferramenta Makita especificada neste manual. A utilização de outros acessórios ou peças pode ser perigosa para as pessoas. Utilize apenas acessórios ou peças para os fins indicados.

Se precisar de ajuda para obter mais informações relativos a estes acessórios, entre em contacto com o centro de assistência Makita local.

- Lâmina de aço de alta velocidade
- Lâmina de carboneto de tungsténio (para maior duração)
- Mini-lâmina
- Conjunto do suporte para afiar
- Afiador da lâmina
- Placa do suporte da lâmina
- Guia paralela (Régua guia)
- Pedra para afiar
- Chave de tubo

### NOTA:

- Alguns itens da lista podem estar incluídos na embalagem da ferramenta como acessórios padrão. Eles podem variar de país para país.

ENG905-1

## Ruído

A característica do nível de ruído A determinado de acordo com EN62841-2-14:

Nível de pressão sonora ( $L_{pA}$ ): 88 dB (A)  
Nível de potência sonora ( $L_{WA}$ ): 99 dB (A)  
Variabilidade (K): 3 dB (A)

ENG907-1

### NOTA:

- O(s) valor(es) da emissão de ruído indicado(s) foi medido de acordo com um método de teste padrão e pode ser utilizado para comparar duas ferramentas.
- O(s) valor(es) da emissão de ruído indicado(s) pode também ser utilizado na avaliação preliminar da exposição.

### ⚠ AVISO:

- **Utilize protectores auriculares.**
- **A emissão de ruído durante a utilização real da ferramenta eléctrica pode diferir do(s) valor(es) indicado(s), dependendo das formas como a ferramenta é utilizada, especialmente o tipo de peça de trabalho que é processada.**
- **Certifique-se de identificar as medidas de segurança para protecção do operador que sejam baseadas em uma estimativa de exposição em condições reais de utilização (considerando todas as partes do ciclo de operação, tal como quando a ferramenta está desligada e quando está a funcionar em marcha lenta além do tempo de accionamento).**

ENG900-1

## Vibração

Valor total da vibração (soma vectorial tri-axial) determinado de acordo com EN62841-2-14:

Modo de funcionamento: aplainamento de madeira macia  
Emissão de vibração ( $a_{hv}$ ): 3,0 m/s<sup>2</sup>  
Variabilidade (K): 1,5 m/s<sup>2</sup>

**NOTA:**

- O(s) valor(es) total(ais) de vibração indicado(s) foi medido de acordo com um método de teste padrão e pode ser utilizado para comparar duas ferramentas.
- O(s) valor(es) total(ais) de vibração indicado(s) pode também ser utilizado na avaliação preliminar da exposição.

**AVISO:**

- **A emissão de vibração durante a utilização real da ferramenta eléctrica pode diferir do(s) valor(es) indicado(s), dependendo das formas como a ferramenta é utilizada, especialmente o tipo de peça de trabalho que é processada.**
- **Certifique-se de identificar as medidas de segurança para protecção do operador que sejam baseadas em uma estimativa de exposição em condições reais de utilização (considerando todas as partes do ciclo de operação, tal como quando a ferramenta está desligada e quando está a funcionar em marcha lenta além do tempo de accionamento).**

**DECLARAÇÃO DE CONFORMIDADE CE****Apenas para países europeus**

A declaração de conformidade da CE está incluída no Anexo A deste manual de instruções.

**Illustrationsoversigt**

1 Dybdeindstillingsgreb	14 Anslag	27 Afbryder
2 Afbryder	15 Indstillingslære	28 Låseknop
3 Låseknop/Startspærre	16 Justérskruer	29 Låseskrue
4 Bolte	17 Forhøjninger	30 Parallelanslag
5 Kutter	18 Justérvinkelens bagkant	31 V-not
6 Høvljern	19 Trykplade	32 Knivholder
7 Klæmplate	20 Indvendigt anslag	33 Vingemøtrik
8 Justérvinkel	21 HM-Vendejern	34 Høvljern (A)
9 Indvendigt anslag	22 Not	35 Høvljern (B)
10 Knivæg	23 Klemkrue	36 Anslagskant (C)
11 Justérskruer	24 Støvsuger	37 Anslagskant (D)
12 Bagkant	25 Tryk ved emnets forkant (start)	
13 Bagside af indstillingslære	26 Tryk ved emnets bagkant (slut)	

**SPECIFIKATIONER**

<b>Model</b>	<b>1100</b>
Høvlebredde .....	82 mm
Høvedybde .....	3 mm
Falsdybde .....	20 mm
Omdrejninger (min <sup>-1</sup> ) .....	18 000
Længde .....	415 mm
Vægt .....	5,1 kg
Sikkerhedsklasse.....	□/II

- På grund af vores kontinuerlige forskningsprogrammer og udvikling, kan hosstående specifikationer blive ændret uden varsel.
- Tekniske data kan variere fra land til land.
- Vægt i henhold til EPTA-Procedure 01/2014

ENE001-1

**Tilslået anvendelse**

Denne maskine er beregnet til høvling af træ.

ENF002-2

**Netsspænding**

Maskinen må kun tilsluttes en strømforsyning med samme spænding som angivet på typeskiltet og kan kun anvendes på enfaset vekselstrømforsyning. De er dobbeltisolerede og kan derfor også tilsluttes kontakter uden jordledning.

GEA010-2

**Almindelige sikkerhedsregler for el-værktøj**

**⚠ ADVARSEL** Læs alle de sikkerhedsadvarsler, instruktioner, illustrationer og specifikationer, der følger med denne maskine. Forsømmelse af at overholde alle nedenstående instruktioner kan medføre elektrisk stød, brand og/eller alvorlig personskade.

**Gem alle advarsler og instruktioner til fremtidig reference.**

Ordet "el-værktøj" i advarselerne henviser til det netforsynde (netledning) el-værktøj eller batteriforsynde (akku) el-værktøj.

GEB167-1

**SIKERHEDSADVARSLER FOR HØVLEMASKINE**

1. **Vent, til skærehovedet er stoppet, før du sætter maskinen fra dig.** Et blottet roterende skærehoved kan gribe fat i overfladen og forårsage risiko for tab af kontrollen og alvorlig personskade.

2. **Hold maskinen i de isolerede gribeblader, da skærehovedet kan komme i kontakt med sin egen ledning.** Hvis der skæres i en strømførende ledning, kan udsatte metaldele på maskinen også blive strømførende, hvorved operatøren kan få elektrisk stød.
3. **Brug skruetvinger eller en anden praktisk måde til at fastgøre og understøtte arbejdsemnet til en stabil platform.** Hvis arbejdsemnet holdes i hånden eller mod kroppen, bliver det ustabil, hvilket kan medføre, at du mister kontrollen.
4. **Klude, tøj, ledninger, snore og lignende må aldrig ligge og flyde i arbejdsområdet.**
5. **Undgå at skære i søm. Se efter og fjern alle søm fra arbejdsemnet, før arbejdet påbegyndes.**
6. **Brug kun skarpe blade. Håndter bladene yderst forsigtigt.**
7. **Sørg for, at boltene til montering af bladet er strammet forsvarligt før brugen.**
8. **Hold godt fast i maskinen med begge hænder.**
9. **Hold hænderne på afstand af roterende dele.**
10. **Lad maskinen køre et stykke tid, før den anvendes på et egentligt arbejdsemne. Se efter vibration eller rysten, der kan tyde på forkert montering eller et dårligt afbalanceret blad.**
11. **Kontroller, at bladet ikke er i kontakt med arbejdsemnet, før der tændes ved afbryderen.**
12. **Vent, til bladet når fuld hastighed, før der skæres.**
13. **Sluk altid, og vent, til bladene er helt stoppet, før der udføres nogen form for justering.**
14. **Stik aldrig fingeren ind i spånrenden. Renden kan blive tilstoppet, når der skæres i fugtigt træ. Fjern spånerne med en pind.**
15. **Lad ikke maskinen ligge og køre. Brug kun maskinen, når den holdes i hænderne.**
16. **Skift altid begge blade eller dæksler på tromlen, da den deraf følgende ubalance ellers kan forårsage vibration og forkorte maskinens levetid.**
17. **Brug kun de Makita blade, der er angivet i denne manual.**
18. **Anvend altid korrekt støvmaske/åndedrætsværn til det materiale og den anvendelse, du arbejder med.**

**GEM DENNE BRUGSANVISNING.**

## ADVARSEL:

LAD IKKE bekvemmelighed eller kendskab til produktet (opnået gennem gentagen brug) forhindre, at sikkerhedsforskrifterne for produktet nøje overholdes.

MISBRUG eller forsømmelse af at følge de i denne brugsvejledning givne sikkerhedsforskrifter kan føre til, at De kommer alvorligt til skade.

## FUNKTIONSBESKRIVELSER

### FORSIGTIG:

- Kontrollér altid, at maskinen er slået fra, og netstikket er taget ud af stikkontakten, før De justerer eller kontrollerer denne maskines funktioner.

### Dybdeindstilling (Fig. 1)

Dybdeindstilling foretages ved at dreje på dybdeindstillingsgrebet Forrest på maskinen.

### Betjening af afbryder

#### FORSIGTIG:

- Før maskinen tilsluttes, skal De altid kontrollere, at afbryderen fungerer korrekt og returnerer til "OFF"-positionen, når den slippes.

### Maskine med låseknop (Fig. 2)

Tryk på afbryderen for at starte, slip afbryderen for at stoppe.

Ved vedvarende arbejde trykkes først på afbryderen, dernæst på låseknappen.

For at stoppe fra denne låste position trykkes kort på afbryderen, hvorefter den slippes.

### Maskine med startspærre (Fig. 2)

For at undgå utilsigtet start er denne model udstyret med en startspærre.

For at starte trykkes der først på startspærreknappen og derefter på afbryderen mens startspærreknappen holdes inde. For at stoppe slippes afbryderen.

## SAMLING

### FORSIGTIG:

- Kontrollér altid, at maskinen er slået fra og netstikket er taget ud af stikkontakten, før De udfører noget arbejde på maskinen.

### Montering og afmontering af høvljern

#### FORSIGTIG:

- Stram klemskrueerne omhyggeligt til, når der sættes høvljern i maskinen. En løs klemkrue kan være farlig. Kontrollér altid, at skrueerne er forsvarligt strammet til.
- Omgå høvljernet med stor forsigtighed. Beryt handsker eller klude til at beskytte Deres fingre og hænder, når De monterer eller afmonterer høvljernet.
- Anvend kun den unbrakonøgle, der leveres af Makita, til montering eller afmontering af høvljernet. Overholdes dette ikke, kan det resultere i for kraftig tilspænding eller utilstrækkelig tilspænding af klemskrueerne. Det kan medføre tilskadestof.

### For maskine med standardjern (Fig. 3, 4 og 5)

For at afmontere høvljernet skrues de tre klemskrue af med det medfølgende værktøj. Klempladen tages af sammen med høvljernet.

Kutteren, høvljernet og klemplader rengøres grundigt. Brug altid høvljernet med samme størrelse og vægt. Ubalance medfører vibrationer og påvirker høvlkvaliteten og maskinens levetid.

Anbring høvljernet på indstillingslæren, således at knivvæggen ligger nøjagtigt mod den indvendige kant på anslaget. Anbring justervinklen på høvljernet og tryk derefter ganske enkelt sålen på justervinklen præcist ind mod bagsiden af indstillingslæren og stram de to skrue på justervinklen. Lad derefter sålen på justervinklen glide ind i noten på kutteren og anbring derefter klempladen oven på den. Stram alle monteringsboltene lige meget og skiftevis med topnøglen.

### For maskine med HM-vendejern (Fig. 6, 7 og 8)

1. Fjern det eksisterende høvljern, hvis maskinen har været i brug, og rengør omhyggeligt kutterens overflader og klempladen. Høvljernene på kutteren fjernes ved at man løsner de tre monteringsbolte med topnøglen. Klempladen går af sammen med høvljernene.
2. Høvljernene monteres ved at man løseligt monterer justervinklen på trykpladen med panhovedskrueerne, idet HM-vendejernet sættes på indstillingslæren, således at kanten på høvljernet er præcis på linje med indersiden på anslaget.
3. Anbring justervinklen/trykpladen på indstillingslæren, således at høvljernet lokaliseringslapper på trykpladen går ind i HM-vendejernets rille, og tryk derefter på sålen på justervinklen, så den er på linje med bagsiden af indstillingslæren, og stram derefter panhovedskrueerne.
4. Det er absolut nødvendigt, at HM-vendejernet ligger mod det indvendige anslag, at forhøjningerne på trykpladen passer nøjagtigt i fordybningen på HM-vendejernet, og at justervinklen flugter med indstillingslærens bagerste anslagkant. Kun når alle tre betingelser er opfyldt, sikres korrekt montering og et godt høvlresultat.
5. Sæt trykpladen med justervinklens bagkant i noten på kutteren.
6. Anbring klempladen over justervinklen/trykpladen og skru de tre sekskantede flangehovedbolte i, så der er et mellemrum mellem kutteren og trykpladen, hvor mini-høvljernet kan sættes i stilling. Høvljernet vil blive placeret i stilling ved hjælp af høvljernet lokaliseringslapper på trykpladen.
7. Høvljernet sideværts justering foretages manuelt så enderne stikker lige meget ud fra huset på den ene side, og metalbeslaget på den anden side.
8. Stram de tre sekskantede flangehovedbolte (ved hjælp af den medfølgende topnøgle) og drej kutteren for at kontrollere mellemrummene mellem enderne af høvljernene og maskinkroppen.
9. Kontrollér, at klemskrueerne er ordentligt fastspændt.
10. Gentag pkt. 1 – 9 for det andet HM-vendejern.



## Korrekt indstilling af høvljern

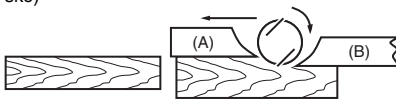
Fejlmonterede høvljern medfører oprifter og kutterslag. Ved korrekt monterede høvljern skal knivæggen være absolut parallel med den bageste høvlsål.

Følgende eksempler viser nogle resultater af korrekt og forkert monterede høvljern.

(A) Forreste høvlsål (mobil sko)

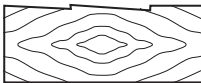
(B) Bageste høvlsål (stationær sko)

Korrekt indstilling



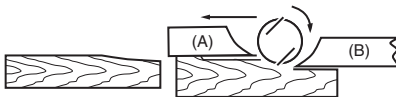
Selvom dette billede (set fra siden) ikke viser det, er høvljernerne monteret absolut parallelt med bageste høvlsål.

Kutterslag



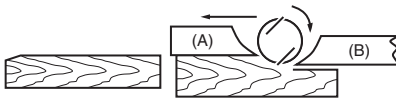
Årsag: Et eller begge høvljern er ikke parallel med den bageste høvlsål.

Hulning ved forkant



Årsag: Et eller begge høvljern er ikke langt nok fremme i forhold til bageste høvlsål.

Hulning ved bagkant



Årsag: Et eller begge høvljern er for langt fremme i forhold til bageste høvlsål.

EN0004-1

## Tilslutning af en støvsuger (Fig. 9)

### BEMÆRK:

- I nogle lande er dysen muligvis ikke inkluderet i værktøjspakken som standardtilbehør.

### For maskiner med dyse

Slut en støvsugerslange til dysen.

### For maskiner uden dyse

1. Fjern spåndækslet fra maskinen.
2. Monter dysen på maskinen ved hjælp af skrueerne.
3. Slut en støvsugerslange til dysen.

### Rengøring af dyse

Rengør dysen regelmæssigt.

Brug komprimeret luft til at rengøre den tilstoppede dyse.

## ANVENDELSE

### ⚠ ADVARSEL:

- Udstyret må ikke betjenes uden at dysen eller spåndækslet er på plads for at reducere risikoen for personskade.

### Høvling (Fig. 10)

Hold altid godt fast i maskinen med den ene hånd på dybdeindstillingsgrebet og den anden hånd på afbryderen, når maskinen anvendes.

Sæt først den forreste høvlsål på emnet, så høvljernerne ikke berører emnet eller noget andet. Start maskinen og vent til den er nået op på fulde omdrejninger. Skub høvlen langsomt fremad, mens der i starten ved emnets forkant trykkes ned på den forreste høvlsål, senere ved emnets bagkant flyttes trykket til bageste høvlsål. Høvlingen kan gøres lettere ved at fastgøre emnet skråt, så der høvles nedad. Overfladekvaliteten afhænger af fremføringshastigheden og spåndybden.

Fremføringshastigheden og spåndybden bestemmer resultatet. Disse to størrelser skal afpasses så spåndukastet ikke tilstoppes af spåner. Ved grov høvling kan spåndybden øges. Ved fin høvling skal fremføringshastigheden og spåndybden mindskes.

### Profilhøvling (falsning) (Fig. 11, 12, 13, 14 og 15)

Ved falshøvling (se Fig. 11) bruges parallelanslaget (guideanslaget).

Tegn en snitlinie på emnet. Monter parallelanslaget i hullet foran på maskinen. Ret høvljernet kant ind efter snitlinien, tryk parallelanslaget ind mod emnets side og fastgør det med låseskruen. (Fig. 12)

Parallelanslaget kan forlænges med et stykke træ. Anslaget har huller til dette formål. (Fig. 13)

Ved falshøvling skal maskinen føres med parallelanslaget mod emnets side, ellers bliver resultatet en ujævn fals.

Maks. dybde for profilhøvling (falsning) er 20 mm.

Det kan muligvis være ønskeligt at øge længden af anslaget ved at tilføje et ekstra stykke træ. Anslaget er udstyret med bekvemme huller til dette formål, som også tjener til montering af et forlængerstyr (ekstraudstyr). (Fig. 14)

### FORSIGTIG:

- Høvlens knivæg skal stikke en smule frem (0,3 mm – 0,6 mm). Hvis den ikke gør det, kan resultatet blive furer og generelt dårlige falsningsresultater. (Fig. 15)

### Affasning (Fig. 16 og 17)

For at lave en fas, som vist på Fig. 16 og 17, rettes V-noten på den forreste høvlsål ind med emnets kant og der fases.

**FORSIGTIG:**

- Før der udføres noget arbejde på selve maskinen skal De sikre Dem, at maskinen er slukket og netstikket er trukket ud.
- Anvend aldrig benzin, rensebenzin, fortynder, alkohol og lignende. Resultatet kan blive misfarvning, deformation eller revner.

Før at opretholde produktets SIKKERHED og PÅLIDELIGHED må reparation, inspektion og udskiftning af kulbørster samt al anden vedligeholdelse eller justering kun udføres af et autoriseret Makita servicecenter eller fabrikksservicecenter med anvendelse af Makita reservedele.

**Slibning af HSS-høvleren (Fig. 18, 19 og 20)****Gælder kun maskine med standardjern**

Hold altid høvljernen skarpe for at opnå det bedst mulige resultat. Brug knivholderen, når der fjernes hak i æggen, eller når æggen skal slibes skarp.

Løsn de to vingemøtrikker på knivholderen og sæt høvljernerne (A) og (B) ind, så de ligger imod anslagskanterne (C) og (D). Spænd vingemøtrikkerne.

Nedsæk slibestenen i vand to til tre minutter før høvljernerne skal slibes. Hold klingeholderen, så begge høvljerner er i samtidig kontakt med slibestenen, således at de slibes samtidigt og i samme vinkel.

**EKSTRAUDSTYR****⚠️ FORSIGTIG:**

- Det følgende tilbehør og ekstraudstyr er anbefalet til brug med Deres Makita maskine, der er beskrevet i denne brugsanvisning. Anvendelse af andet tilbehør eller ekstraudstyr kan udgøre en risiko for personskade. Anvend kun tilbehør og ekstraudstyr til det beskrevne formål.

Hvis De har behov for yderligere detaljer om dette tilbehør, bedes De kontakte Deres lokale Makita Servicecenter.

- Højhastigheds stål-høvleren
- Høvleren med hårdmetalskær (længere levetid)
- HM-vendjern
- Knivholderenhed
- Høvlermåler
- Indstillingspladeindstilling
- Parallellanslag (guideanslag)
- Smøresten
- Topnøgle

**BEMÆRK:**

- Nogle ting på denne liste kan være inkluderet i værktøjspakken som standardtilbehør. Det kan være forskelligt fra land til land.

ENG905-1

**Lyd**

Det typiske A-vægtede støjniveau bestemte i overensstemmelse med EN62841-2-14:

- Lydtryksniveau ( $L_{pA}$ ): 88 dB (A)
- Lydeffektniveau ( $L_{WA}$ ): 99 dB (A)
- Usikkerhed (K): 3 dB (A)

**BEMÆRK:**

- De(n) angivne støjemissionsværdi(er) er målt i overensstemmelse med en standardtestmetode og kan anvendes til at sammenligne en maskine med en anden.
- De(n) angivne støjemissionsværdi(er) kan også anvendes i en præliminær eksponeringsvurdering.

**⚠️ ADVARSEL:**

- **Bær høreværn.**
- **Støjemissionen under den faktiske anvendelse af maskinen kan være forskellig fra de(n) angivne værdi(er), afhængigt af den måde hvorpå maskinen anvendes, især den type arbejdsemne der behandles.**
- **Sørg for at identificere de sikkerhedsforskrifter til beskyttelse af operatøren, som er baseret på en vurdering af eksponering under de faktiske brugsforhold (med hensyntagen til alle dele i brugscyklussen, f.eks. de gange, hvor maskinen er slukket, og når den kører i tomgang i tilgift til afbrydertiden).**

ENG900-1

**Vibration**

Vibrations totalværdi (tre-aksial vektorsum) bestemt i overensstemmelse med EN62841-2-14:

- Arbejdsindstilling: høvling af blødt træ
- Vibrationsafgivelse ( $a_{h1}$ ): 3,0 m/s<sup>2</sup>
- Usikkerhed (K): 1,5 m/s<sup>2</sup>

ENG901-2

**BEMÆRK:**

- De(n) angivne totalværdi(er) for vibration er målt i overensstemmelse med en standardtestmetode og kan anvendes til at sammenligne en maskine med en anden.
- De(n) angivne totalværdi(er) for vibration kan også anvendes i en præliminær eksponeringsvurdering.

**⚠️ ADVARSEL:**

- **Vibrationsemissionen under den faktiske anvendelse af maskinen kan være forskellig fra de(n) angivne værdi(er), afhængigt af den måde hvorpå maskinen anvendes, især den type arbejdsemne der behandles.**
- **Sørg for at identificere de sikkerhedsforskrifter til beskyttelse af operatøren, som er baseret på en vurdering af eksponering under de faktiske brugsforhold (med hensyntagen til alle dele i brugscyklussen, f.eks. de gange, hvor maskinen er slukket, og når den kører i tomgang i tilgift til afbrydertiden).**

**EF-KONFORMITETSERKLÆRING****Kun for lande i Europa**

EF-konformitetserklæringen er inkluderet som Tillæg A til denne instruktionsvejledning.

**Περιγραφή γενικής άποψης**

1	Πόμολο	13	Πίσω πλευρά βάσης μετρητή	24	Ηλεκτρική σκούπα
2	Σκανδάλη διακόπτης	14	Πλάκα μετρητή	25	Αρχή
3	Κουμπί ασφάλισης/Κουμπί απασφάλισης	15	Βάση μετρητή	26	Τέλος
4	Μπουλόνια	16	Θολοκέφαλη βίδα	27	Λαβή διακόπτη
5	Τύμπανο	17	Υποδοχές εντοπιμού λάμας πλάνης	28	Γραμμή κοπής
6	Λάμα πλάνης	18	Τακούνι πλάκας ρύθμισης	29	Βίδα
7	Πλάκα τυμπάνου	19	Πλάκα προσαρμογής	30	Οδηγός ακμής
8	Πλάκα ρύθμισης	20	Εσωτερική πλευρά πλάκας μετρητή	31	Αυλάκωση “V”
9	Εσωτερική ακμή πλάκας μετρητή	21	Μίνι λάμα πλάνης	32	Θήκη ακονισμού
10	Κόψη λάμας	22	Αυλάκωση	33	Βίδα πεταλούδα
11	Βίδες	23	Εξαγωνικό φλανζοκέφαλο μπουλόνι	34	Λάμα (A)
12	Τακούνι			35	Λάμα (B)
				36	Πλευρά (C)
				37	Πλευρά (D)

**ΤΕΧΝΙΚΑ ΧΑΡΑΚΤΗΡΙΣΤΙΚΑ**

<b>Μοντέλο</b>	<b>1100</b>
Πλάτος πλάνισης .....	82 χιλ
Βάθος πλάνισης .....	3 χιλ
Βάθος εντομής .....	20 χιλ
Ταχύτητα χωρίς φορτίο (λεπ <sup>-1</sup> ) .....	18.000
Ολικό μήκος .....	415 χιλ
Καθαρό βάρος .....	5,1 Χγρ
Κατηγορία ασφάλειας .....	□/II

- Λόγω του συνεχιζόμενου προγράμματος έρευνας και ανάπτυξης, οι παρούσες προδιαγραφές υπόκεινται σε αλλαγή χωρίς προειδοποίηση.
- Τα τεχνικά χαρακτηριστικά μπορεί να διαφέρουν από χώρα σε χώρα.
- Βάρος σύμφωνα με διαδικασία ΕΡΤΑ 01/2014

ENE001-1

**Προοριζόμενη χρήση**

Αυτό το εργαλείο προορίζεται για πλάνισμα ξύλου.

ENF002-2

**Ρευματοδότηση**

Το μηχάνημα πρέπει να συνδέεται μόνο σε παροχή ρεύματος της ίδιας τάσης με αυτή που αναφέρεται στην πινακίδα κατασκευαστού και μπορεί να λειτουργήσει μόνο με εναλλασσόμενο μονοφασικό ρεύμα. Τα μηχανήματα αυτά έχουν διπλή μόνωση και κατά συνέπεια, μπορούν να συνδεθούν σε ακροδέκτες χωρίς σύρμα γείωσης.

GEA010-2

**Γενικές προειδοποιήσεις ασφαλείας για το ηλεκτρικό εργαλείο**

**⚠️ ΠΡΟΕΙΔΟΠΟΙΗΣΗ** Διαβάστε όλες τις προειδοποιήσεις ασφαλείας, οδηγίες, εικονογραφίες και προδιαγραφές που παρέχονται με αυτό το ηλεκτρικό εργαλείο. Η μη τήρηση όλων των οδηγιών που αναγράφονται κατωτέρω μπορεί να καταλήξει σε ηλεκτροπληξία, πυρκαγιά ή/και σοβαρό τραυματισμό.

**Φυλάξτε όλες τις προειδοποιήσεις και τις οδηγίες για μελλοντική παραπομπή.**

Στις προειδοποιήσεις, ο όρος “ηλεκτρικό εργαλείο” αναφέρεται σε ηλεκτρικό εργαλείο που τροφοδοτείται από την κύρια παροχή ηλεκτρικού ρεύματος (με ηλεκτρικό καλώδιο) ή σε ηλεκτρικό εργαλείο που τροφοδοτείται από μπαταρία (χωρίς ηλεκτρικό καλώδιο).

GEB167-1

**ΠΡΟΕΙΔΟΠΟΙΗΣΕΙΣ ΑΣΦΑΛΕΙΑΣ ΓΙΑ ΤΗΝ ΠΛΑΝΗ**

1. **Περιμένετε να σταματήσει ο κόπτης πριν αφήσετε κάτω το εργαλείο.** Αν ο κόπτης είναι εκτεθειμένος μπορεί να πιαστεί στην επιφάνεια με αποτέλεσμα πιθανή απώλεια του ελέγχου και σοβαρό τραυματισμό.
2. **Κρατάτε το ηλεκτρικό εργαλείο από τις μονωμένες επιφάνειες λαβής επειδή ο κόπτης μπορεί να έρθει σε επαφή με το δικό του καλώδιο.** Σε περίπτωση που κοπεί ένα ηλεκτροφόρο καλώδιο, ενδέχεται τα εκτεθειμένα μεταλλικά εξαρτήματα του ηλεκτρικού εργαλείου να καταστούν τα ίδια ηλεκτροφόρα και να προκαλέσουν ηλεκτροπληξία στον χειριστή.
3. **Να χρησιμοποιείτε σφιγκτήρες ή κάποιο άλλο πρακτικό μέσο για να ασφαλίσετε και να στηρίξετε το τεμάχιο εργασίας σε μια σταθερή πλατφόρμα.** Αν κρατάτε το τεμάχιο εργασίας με το χέρι σας ή επάνω στο σώμα σας, αυτό θα είναι ασταθές και μπορεί να χυθεί στον έλεγχο.
4. **Δεν πρέπει να αφήνετε ποτέ κουρέλια, πανιά, νήματα, σκονιά και παρόμοια αντικείμενα γύρω από την περιοχή εργασίας.**
5. **Να αποφεύγετε την κοπή καρφιών.** Πριν από τη λειτουργία, να ελέγχετε αν υπάρχουν καρφιά στο τεμάχιο εργασίας και να τα αφαιρείτε όλα αν υπάρχουν.
6. **Να χρησιμοποιείτε μόνο αιχμηρές λάμες.** Να χειρίζεστε τις λάμες πολύ προσεκτικά.
7. **Βεβαιωθείτε ότι τα μπουλόνια τοποθέτησης λάμας είναι καλά σφιγμένα πριν από τη λειτουργία.**
8. **Κρατήστε το εργαλείο σταθερά με τα δύο χέρια.**
9. **Μην πλησιάζετε τα χέρια σας σε περιστρεφόμενα μέρη.**

10. Πριν από τη χρήση του εργαλείου πάνω σε πραγματικό τεμάχιο εργασίας, αφήστε το σε λειτουργία για λίγο. Να προσέχετε για δονήσεις ή κινήσεις που θα μπορούσαν να υποδειξουν κακή τοποθέτηση ή κακή ισορρόπηση της λάμας.
11. Να βεβαιώνετε ότι η λάμα δεν ακουμπάει το τεμάχιο εργασίας πριν ενεργοποιείτε το διακόπτη λειτουργίας.
12. Περιμένετε έως ότου η λάμα φτάσει στην πλήρη ταχύτητά της πριν κόψετε.
13. Πριν από οποιαδήποτε ρύθμιση, πάντοτε να σβήνετε το εργαλείο και να περιμένετε να σταματήσουν να κινούνται εντελώς οι λάμες.
14. Μην βάζετε ποτέ το δάκτυλό σας κοντά στο στόμιο θραυσμάτων. Το στόμιο μπορεί να φράξει όταν κόβετε νωπό ξύλο. Καθαρίστε τα θραύσματα με μια ξύλινη ράβδο.
15. Μην αφήνετε το εργαλείο σε λειτουργία. Να χειρίζεστε το εργαλείο μόνο όταν το κρατάτε με τα χέρια σας.
16. Να αλλάζετε πάντα και τις δύο λάμες ή καλύμνα στο τύμπανο, διαφορετικά η προκύπτουσα αστάθεια θα προκαλέσει δόνηση και συντόμευση της ζωής του εργαλείου.
17. Να χρησιμοποιείτε μόνο λάμες της Makita που υποδεικνύονται σε αυτό το εγχειρίδιο.
18. Να χρησιμοποιείτε πάντοτε προσώπια κατά της σκόνης ή αναπνευστήρα που είναι κατάλληλος για το υλικό και την εφαρμογή σας.

## ΦΥΛΑΞΤΕ ΤΙΣ ΟΔΗΓΙΕΣ ΑΥΤΕΣ.

### ⚠️ ΠΡΟΕΙΔΟΠΟΙΗΣΗ:

ΜΗΝ επιτρέψετε στην άνεση ή στην εξοικειώσή σας με το προϊόν (που αποκτήθηκε από επανειλημμένη χρήση) να αντικαταστήσει την αυστηρή τήρηση των κανόνων ασφαλείας του παρόντος εργαλείου.

Η ΛΑΝΘΑΣΜΕΝΗ ΧΡΗΣΗ ή η αμέλεια να ακολουθήσετε τους κανόνες ασφαλείας που διατυπώνονται στο παρόν εγχειρίδιο οδηγιών μπορεί να προκαλέσει σοβαρό προσωπικό τραυματισμό.

## ΠΕΡΙΓΡΑΦΗ ΛΕΙΤΟΥΡΓΙΑΣ

### ⚠️ ΠΡΟΣΟΧΗ:

• Πάντοτε βεβαιώνετε ότι το εργαλείο είναι σβηστό και αποσυνδεδεμένο από το ρεύμα πριν από ρύθμιση ή έλεγχο κάποιας λειτουργίας στο εργαλείο.

### Ρύθμιση βάθους κοπής (Εικ. 1)

Βάθος κοπής μπορεί να ρυθμιστεί απλά γυρίζοντας το πόμολο στο εμπρόσθιο μέρος του μηχανήματος.

### Λειτουργία διακόπτη

#### ΠΡΟΣΟΧΗ:

• Πριν συνδέσετε το μηχάνημα στο ρεύμα, πάντοτε ελέγχετε να δείτε ότι η σκανδάλη διακόπτης ενεργοποιεί κανονικά και επιστρέφει στη θέση "OFF" όταν ελευθερώνεται.

### Για μηχάνημα με κουμπί ασφάλισης (Εικ. 2)

Για να ενεργοποιήσετε το εργαλείο, απλά τραβήξτε τη σκανδάλη ενεργοποίησης. Για διακοπή της λειτουργίας, ελευθερώστε τη σκανδάλη ενεργοποίησης.

Για συνεχή λειτουργία, τραβήξτε τη σκανδάλη ενεργοποίησης και στη συνέχεια πιέστε προς τα μέσα το κουμπί ασφάλισης.

Για να απενεργοποιήσετε το εργαλείο από τη θέση ασφαλείας, τραβήξτε πλήρως τη σκανδάλη ενεργοποίησης, στη συνέχεια ελευθερώστε την.

### Για μηχάνημα με κουμπί απασφάλισης (Εικ. 2)

Για να προληφθεί τυχαίο τράβηγμα της σκανδάλης, ένα κουμπί απασφάλισης έχει προβλεφθεί.

Για να ξεκινήσει το μηχάνημα, πατήστε το κουμπί απασφάλισης και τραβήξτε τη σκανδάλη. Για να σταματήσει αφήστε τη σκανδάλη.

## ΣΥΝΑΡΜΟΛΟΓΗΣΗ

### ΠΡΟΣΟΧΗ:

• Πάντοτε βεβαιώνετε ότι το εργαλείο είναι σβηστό και αποσυνδεδεμένο πριν εκτελέσετε οποιαδήποτε εργασία στο εργαλείο.

### Αφαίρεση η τοποθέτηση λαμών πλανίσματος

#### ΠΡΟΣΟΧΗ:

• Σφίχτε τα μπουλόνια εγκατάστασης λαμών προσεκτικά όταν προσαρμόζετε τις λάμες στο εργαλείο. Ένα χαλαρό μπουλόνι εγκατάστασης μπορεί να είναι επικίνδυνο. Πάντοτε ελέγχετε να δείτε ότι είναι σφισμένα με ασφάλεια.

• Χειρίζεστε τις λάμες πολύ προσεκτικά. Χρησιμοποιείτε γάντια ή κουρέλια για να προστατεύετε τα δάχτυλά σας ή τα χέρια σας όταν αφαιρείτε ή τοποθετείτε τις λάμες.

• Χρησιμοποιείτε μόνο το παρεχόμενο κλειδί της Makita για να αφαιρέσετε ή τοποθετήσετε τις λάμες. Αμέλεια να το κάνετε μπορεί να έχει ως αποτέλεσμα υπερβολικό ή ανεπαρκές σφίξιμο των μπουλονιών εγκατάστασης. Αυτό θα μπορούσε να προκαλέσει τραυματισμό.

### Για μηχάνημα με τυποποιημένες λάμες πλάνης

#### (Εικ. 3, 4 και 5)

Για να αφαιρέσετε τις λάμες στο τύμπανο, ξεβιδώστε τα τρία μπουλόνια τοποθέτησης με το κοίλο κλειδί. Η πλάκα τυμπάνου βγαίνει έξω μαζί με τις λάμες.

Για να τοποθετήσετε τις λάμες, πρώτα καθαρίστε όλα τα τεμαχίδια ξένων υλικών που έχουν επικαθίσει στο τύμπανο και στις λάμες. Χρησιμοποιείτε λάμες των ίδιων διαστάσεων και βάρους, διαφορετικά θα προκληθεί ταλάντωση/δόνηση τυμπάνου, με αποτέλεσμα κακή απόδοση πλανίσματος και τελικά ζημιά στο μηχάνημα.

Τοποθετήστε τη λάμα στη βάση του μετρητή έτσι ώστε η ακμή της λάμας να ευθυγραμμίζεται απόλυτα με την εσωτερική ακμή της πλάκας του μετρητή. Τοποθετήστε την πλάκα ρύθμισης στη λάμα, μετά απλά πιέστε στο τακούι της πλάκας ρύθμισης σε ευθυγράμμιση με τη πίσω πλευρά της βάσης μετρητή και σφίξτε τις δύο βίδες στη πλάκα ρύθμισης. Τώρα σύρετε το τακούι της πλάκας ρύθμισης μέσα στην αυλάκωση του τυμπάνου και εφαρμόστε την πλάκα τυμπάνου από πάνω. Σφίξτε όλα τα μπουλόνια τοποθέτησης ισοδύναμα και εναλλακτικά με το κοίλο κλειδί.

**Για μηχανήμα με μίνι λάμες πλάνης (Εικ. 6, 7 και 8)**

1. Αφαιρέστε την υπάρχουσα λάμα, εάν το μηχανήμα ήταν σε χρήση, καθαρίστε προσεκτικά τις επιφάνειες τυμπάνου και την πλάκα τυμπάνου. Για να αφαιρέσετε τις λάμες στο τύμπανο, ξεβιδώστε τα τρία μπουλόνια τοποθέτησης με το κοίλο κλειδί. Η πλάκα τυμπάνου βγαίνει έξω μαζί με τις λάμες.
2. Για να τοποθετήσετε τις λάμες, βάλτε χαλαρά τη πλάκα ρύθμισης στη πλάκα προσαρμογής με τις θολοκέφαλες βίδες και βάλτε τη μίνι λάμα πλάνης στη βάση του μετρητή έτσι ώστε η κόψη της λάμας να είναι απόλυτα ευθυγραμμισμένη με την εσωτερική πλευρά της πλάκας μετρητή.
3. Βάλτε τη πλάκα ρύθμισης/πλάκα προσαρμογής στη βάση του μετρητή έτσι ώστε οι υποδοχές εντοπισμού λαμών πλάνης στη πλάκα προσαρμογής να βρίσκονται στην αυλάκωση της μίνι λάμας πλάνης, μετά πιέστε μέσα το τακούι της πλάκας προσαρμογής να ευθυγραμμιστεί με τη πίσω πλευρά στη βάση του μετρητή και σφίχτε τις θολοκέφαλες βίδες.
4. Είναι σημαντικό να είναι η λάμα ευθυγραμμισμένη με την εσωτερική πλευρά της πλάκας μετρητή, οι υποδοχές εντοπισμού λαμών πλάνης να βρίσκονται στην αυλάκωση λάμας, και το τακούι της πλάκας ρύθμισης να είναι ευθυγραμμισμένο με τη πίσω πλευρά της βάσης μετρητή. Ελέγξτε αυτή την ευθυγράμμιση προσεκτικά για να εξασφαλίσετε ομοιόμορφη κοπή.

5. Σύρετε το τακούι της πλάκας ρύθμισης μέσα στην αυλάκωση του τυμπάνου.
6. Βάλτε την πλάκα τυμπάνου πάνω από την πλάκα ρύθμισης/πλάκα προσαρμογής και βιδώστε τα τρία εξαγωνικά φλαντζοκέφαλα μπουλόνια έτσι ώστε να υπάρχει ένα διάστημα μεταξύ του τυμπάνου και της πλάκας προσαρμογής για να σύρεται η μίνι λάμα πλάνης στη θέση της. Η λάμα θα τοποθετηθεί από τις υποδοχές εντοπισμού λάμας πλάνης στην πλάκα προσαρμογής.
7. Η κατά μήκος ρύθμιση της λάμας θα χρειαστεί να γίνει χειροκίνητα έτσι ώστε τα άκρα της λάμας να είναι καθαρά και ισαπέχοντα από το περιβλήμα, από τη μια πλευρά, και από το μεταλλικό υποστήριγμα, από την άλλη πλευρά.
8. Σφίχτε τα τρία εξαγων φλαντζοκέφαλα μπουλόνια (με το παρεχόμενο κοίλο κλειδί) και περιστρέψτε με το χέρι το τύμπανο να ελέγξετε τα διαστήματα μεταξύ των άκρων της λάμας και του σώματος του μηχανήματος.
9. Ελέγξτε τα τρία εξαγωνο φλαντζοκέφαλα μπουλόνια ως προς το τελικό σφίξιμο.
10. Επαναλάβετε τη διαδικασία 1 – 9 για την άλλη λάμα.

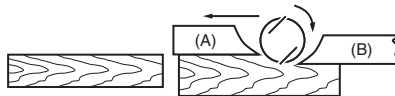
**Για τη σωστή ρύθμιση λάμας πλάνης**

Η επιφάνεια πλάνης θα καταλήξει τραχειά και ανώμαλη, εκτός αν η λάμα ρυθμιστεί κατάλληλα και στερεά. Η λάμα πρέπει να τοποθετηθεί έτσι ώστε η κόψη να είναι απόλυτα επίπεδη, δηλαδή, παράλληλη προς την επιφάνεια της πίσω βάσης.

Παρακάτω είναι μερικά παραδείγματα σωστών και μη σωστών ρυθμίσεων.

- (Α) Εμπρόσθια βάση (Κινητό πέγμα)
- (Β) Πίσω βάση (Στατικό πέγμα)

Σωστή ρύθμιση



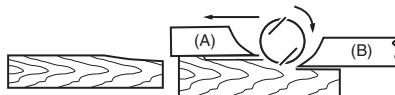
Αν και αυτή η πλευρική άποψη δεν μπορεί να το δείξει, οι κόψεις των λαμών είναι απόλυτα παράλληλες προς την επιφάνεια της πίσω βάσης.

Χαραγές στην επιφάνεια



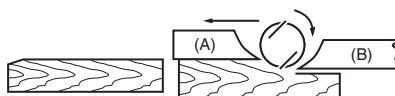
Αιτία: Μια ή και οι δύο λάμες δεν έχουν κόψη παράλληλη προς τη γραμμή της πίσω βάσης.

Κοίλωμα στην αρχή



Αιτία: Μια ή και οι δύο κόψεις λαμών δεν προεξέχουν αρκετά σε σχέση με τη γραμμή της πίσω βάσης.

Κοίλωμα στο τέλος



Αιτία: Μια ή και οι δύο κόψεις λαμών προεξέχουν πάρα πολύ σε σχέση με τη γραμμή της πίσω βάσης.

EN0004-1

## Σύνδεση με ηλεκτρική σκούπα (Εικ. 9)

### ΠΑΡΑΤΗΡΗΣΗ:

- Σε μερικές χώρες, το ακροφύσιο μπορεί να μην συμπεριλαμβάνεται στη συσκευασία εργαλείου ως στάνταρ εξάρτημα.

### Για εργαλείο με ακροφύσιο

Συνδέστε τον εύκαμπτο σωλήνα της ηλεκτρικής σκούπας στο ακροφύσιο.

### Για εργαλείο χωρίς ακροφύσιο

1. Αφαιρέστε το κάλυμμα θραυσμάτων από το εργαλείο.
2. Τοποθετήστε το ακροφύσιο στο εργαλείο χρησιμοποιώντας τις βίδες.
3. Συνδέστε τον εύκαμπτο σωλήνα της ηλεκτρικής σκούπας στο ακροφύσιο.

### Καθαρισμός ακροφυσίου

Να καθαρίζετε το ακροφύσιο τακτικά.

Χρησιμοποιήστε πεπιεσμένο αέρα για να καθαρίσετε το φραγμένο ακροφύσιο.

## ΛΕΙΤΟΥΡΓΙΑ

### ⚠️ ΠΡΟΕΙΔΟΠΟΙΗΣΗ:

- Για να μειώσετε τον κίνδυνο πρόκλησης τραυματισμού σε άτομα, μη θέτετε σε λειτουργία χωρίς το ακροφύσιο ή το κάλυμμα θραυσμάτων να βρισκται στη θέση του.

### Λειτουργία πλάνισης (Εικ. 10)

Όταν χειρίζεστε το εργαλείο, να το κρατάτε σταθερά με το ένα χέρι στο πόμολο και το άλλο χέρι στη λαβή διακόπτη.

Πρώτα, ακουμπήστε την εμπρόσθια βάση της μηχανής οριζόντια επάνω στο αντικείμενο εργασίας χωρίς να βρισκονται οι λάμες σε επαφή. Ανάψτε το και περιμένετε να αποκτήσει πλήρη ταχύτητα. Μετά κινήστε το μηχάνημα απαλά προς τα εμπρός. Εφαρμόστε πίεση στο εμπρόσθιο μέρος του μηχανήματος στην αρχή της πλάνισης και στο πίσω μέρος, στο τέλος της πλάνισης. Η πλάνιση θα είναι ευκολότερη αν δώσετε κλίση στο αντικείμενο εργασίας σε ακίνητη θέση, έτσι ώστε η πλάνιση να γίνεται προς τα κάτω.

Η ταχύτητα και το βάθος κοπής προσδιορίζουν το είδος φινιρίσματος. Η ηλεκτρική πλάνη κόβει σε μια ταχύτητα που δεν θα έχει σαν αποτέλεσμα βούλωμα από τα ροκανίδια. Για χοντρό κόψιμο, το βάθος κοπής μπορεί να αυξηθεί, ενώ για ένα καλό φινιρίσμα θα πρέπει να μειώσετε το βάθος και να προωθήτε το μηχάνημα πιο αργά.

### Εντομή (σανίδες ενωμένες μεταξύ τους μέσω γκινισιάς) (Εικ. 11, 12, 13, 14 και 15)

Για να κάνετε κλιμακωτή κοπή όπως φαίνεται στην Εικ. 11, χρησιμοποιήστε τον οδηγό ακμής (Οδηγός).

Σύρετε μία γραμμή κοπής στο αντικείμενο εργασίας. Βάλτε τον οδηγό ακμής στην τρύπα στο εμπρόσθιο μέρος του μηχανήματος. Ευθυγραμμίστε τη κόψη της λάμας με τη γραμμή κοπής. (Εικ. 12)  
Ρυθμίστε τον οδηγό ακμής μέχρι να έρθει σε επαφή με την πλευρά του αντικειμένου εργασίας, μετά στερεώστε το σφίγγοντας τη βίδα. (Εικ. 13)

Κατά την πλάνιση, μετακινείτε το μηχάνημα με τον οδηγό ακμής ευθυγραμμισμένο με την πλευρά του αντικειμένου εργασίας. Διαφορετικά το αποτέλεσμα θα είναι ανώμαλη πλάνιση.

Το μέγιστο βάθος εντομής (σανίδες ενωμένες μεταξύ τους μέσω γκινισιάς) είναι 20 χιλ.

Μπορεί να επιθυμείτε να επιμηκύνετε το μήκος του οδηγού ακμής προσαρμόζοντας ένα επί πλέον κομμάτι ξύλου. Βολικές τρύπες έχουν προβλεφθεί στον οδηγό για το σκοπό αυτό, και επίσης για προσαρμογή ενός οδηγού επέκτασης (προαιρετικό εξάρτημα). (Εικ. 14)

### ⚠️ ΠΡΟΣΟΧΗ:

- Η άκρη της λάμας πρέπει να προεξέχει ελαφρά, προς τα έξω (0,3 χιλ – 0,6 χιλ). Διαφορετικά, το αποτέλεσμα θα είναι εγχοπές και γενικά κακές συνδέσεις. (Εικ. 15)

### Λοξότμηση (Εικ. 16 και 17)

Για να κάνετε μια κοπή όπως φαίνεται στην Εικ. 16 και 17, ευθυγραμμίστε την αυλάκωση “V” στην εμπρόσθια βάση με την ακμή του αντικειμένου εργασίας και πλανίστε.

## ΣΥΝΤΗΡΗΣΗ

### ⚠️ ΠΡΟΣΟΧΗ:

- Πριν την εκτέλεση εργασιών με τη μηχανή σβήνομε πάντα τη μηχανή και βγάζουμε τη πρίζα.
- Μην χρησιμοποιείτε ποτέ βενζίνη, πετρελαϊκό αιθέρα, διαλυτικό, αλκοόλη ή παρόμοιες ουσίες. Ενδέχεται να προκληθεί αποχρωματισμός παραμόρφωση ή ρωγμές.

Για να διατηρήσετε την ΑΣΦΑΛΕΙΑ και ΑΞΙΟΠΙΣΤΙΑ του προϊόντος, οι επισκευές, έλεγχος και αντικατάσταση καρβουνακιού, καθώς και οποιαδήποτε άλλη εργασία συντήρησης ή ρύθμισης πρέπει να εκτελούνται από εξουσιοδοτημένα ή εργοστασιακά κέντρα εξυπηρέτησης της Makita, πάντα χρησιμοποιώντας ανταλλακτικά της Makita.

### Ακονισμός λαμών πλάνης (Εικ. 18, 19 και 20)

#### Μόνο για κανονικές λάμες

Πάντοτε κρατάτε τις λάμες σας ακονισμένες για την καλύτερη δυνατή απόδοση. Χρησιμοποιήστε την ακονιστική θήκη για να αφαιρέσετε χαραγές και για να πετύχετε μια τέλεια κόψη.

Πρώτα, λασκάρτε τις δύο βίδες πεταλούδες στη θήκη και βάλτε τις λάμες (A) και (B), έτσι ώστε να εφάπτονται στις πλευρές (C) και (D). Μετά σφίχτε τις βίδες πεταλούδες.

Βυθίστε την ακονόπετρα στο νερό για 2 ή 3 λεπτά πριν το ακόνισμα. Κρατάτε τη θήκη έτσι ώστε και οι δύο λάμες να είναι σε επαφή με την ακονόπετρα για ταυτόχρονο ακόνισμα υπό την ίδια γωνία.

## ΠΡΟΑΙΡΕΤΙΚΑ ΕΞΑΡΤΗΜΑΤΑ

### ⚠️ ΠΡΟΣΟΧΗ:

- Αυτά τα παρελκόμενα ή προσαρτήματα συνιστώνται για χρήση με το εργαλείο της Makita που περιγράφεται στο παρόν εγχειρίδιο. Η χρήση οποιουδήποτε άλλου παρελκόμενου ή προσαρτήματος ενέχει κίνδυνο τραυματισμού ατόμων. Το παρελκόμενο ή προσάρτημα να χρησιμοποιείται μόνο για την προοριζόμενη χρήση του.

Εάν χρειάζεστε βοήθεια ή περισσότερες λεπτομέρειες σε σχέση με αυτά τα ανταλλακτικά, ρωτήστε το τοπικό σας κέντρο εξυπηρέτησης της Makita.

- Λάμα πλάνης από ατσάλι υψηλής ταχύτητας
- Λάμα πλάνης από καρβίδιο βολφραμίου. (Για μακρύτερη ζωή λάμας)
- Μίνι λάμα πλάνης
- Σύνολο θήκης ακονίσματος
- Μετρητής λάμας
- Σύνολο πλάκας ρύθμισης
- Οδηγό ακμής (Οδηγός)
- Πέτρα ακονίσματος
- Κοίλο κλειδί

#### ΠΑΡΑΤΗΡΗΣΗ:

- Μερικά στοιχεία στη λίστα μπορεί να συμπεριλαμβάνονται στη συσκευασία εργαλείου ως στάνταρ εξαρτήματα. Μπορεί να διαφέρουν ανάλογα με τη χώρα.

ENG905-1

#### Θορύβος

Το τυπικό A επίπεδο μετρημένου θορύβου καθορίζεται σύμφωνα με το EN62841-2-14:

- Στάθμη πίεσης ήχου ( $L_{pA}$ ): 88 dB (A)
- Στάθμη δύναμης ήχου ( $L_{WA}$ ): 99 dB (A)
- Αβεβαιότητα (K): 3 dB (A)

ENG907-1

#### ΠΑΡΑΤΗΡΗΣΗ:

- Η δηλωμένη τιμή(ές) εκπομπής θορύβου έχει μετρηθεί σύμφωνα με την πρότυπη μέθοδο δοκιμής και μπορεί να χρησιμοποιηθεί για τη σύγκριση ενός εργαλείου με κάποιο άλλο.
- Η δηλωμένη τιμή(ές) εκπομπής θορύβου μπορεί να χρησιμοποιηθεί και στην προκαταρκτική αξιολόγηση της έκθεσης.

#### ⚠ ΠΡΟΕΙΔΟΠΟΙΗΣΗ:

- **Να φοράτε ωτοασπίδες.**
- Η εκπομπή θορύβου κατά τη χρήση του ηλεκτρικού εργαλείου σε πραγματικές συνθήκες μπορεί να διαφέρει από τη δηλωμένη τιμή(ές) ανάλογα με τους τρόπους χρήσης του εργαλείου, ιδιαίτερα το είδος του τεμαχίου εργασίας που υπόκειται επεξεργασία.
- Φροντίστε να λάβετε τα κατάλληλα μέτρα προστασίας του χειριστή βάσει ενός υπολογισμού της έκθεσης σε πραγματικές συνθήκες χρήσης (λαμβάνοντας υπόψη όλες τις συνιστώσες του κύκλου λειτουργίας όπως τους χρόνους που το εργαλείο είναι εκτός λειτουργίας και όταν βρίσκεται σε αδρανή λειτουργία πέραν του χρόνου ενεργοποίησης).

ENG900-1

#### Κραδασμός

Η ολική τιμή δόνησης (άθροισμα τρι-αξονικού διανύσματος) καθορίζεται σύμφωνα με το EN62841-2-14:

- Είδος εργασίας: πλάνισμα μαλακού ξύλου
- Εκπομπή δόνησης ( $a_{h1}$ ): 3,0 m/s<sup>2</sup>
- Αβεβαιότητα (K): 1,5 m/s<sup>2</sup>

#### ΠΑΡΑΤΗΡΗΣΗ:

- Η δηλωμένη τιμή(ές) συνολικών κραδασμών έχει μετρηθεί σύμφωνα με την πρότυπη μέθοδο δοκιμής και μπορεί να χρησιμοποιηθεί για τη σύγκριση ενός εργαλείου με κάποιο άλλο.
- Η δηλωμένη τιμή(ές) συνολικών κραδασμών μπορεί να χρησιμοποιηθεί και στην προκαταρκτική αξιολόγηση της έκθεσης.

#### ⚠ ΠΡΟΕΙΔΟΠΟΙΗΣΗ:

- Η εκπομπή κραδασμών κατά τη χρήση του ηλεκτρικού εργαλείου σε πραγματικές συνθήκες μπορεί να διαφέρει από τη δηλωμένη τιμή(ές) εκπομπής ανάλογα με τους τρόπους χρήσης του εργαλείου, ιδιαίτερα το είδος του τεμαχίου εργασίας που υπόκειται επεξεργασία.
- Φροντίστε να λάβετε τα κατάλληλα μέτρα προστασίας του χειριστή βάσει ενός υπολογισμού της έκθεσης σε πραγματικές συνθήκες χρήσης (λαμβάνοντας υπόψη όλες τις συνιστώσες του κύκλου λειτουργίας όπως τους χρόνους που το εργαλείο είναι εκτός λειτουργίας και όταν βρίσκεται σε αδρανή λειτουργία πέραν του χρόνου ενεργοποίησης).

#### ΔΗΛΩΣΗ ΣΥΜΜΟΡΦΩΣΗΣ ΕΚ

Πα τις ευρωπαϊκές χώρες μόνο

Η δήλωση συμμόρφωσης ΕΚ περιλαμβάνεται ως Παράρτημα Α σε αυτό το εγχειρίδιο οδηγιών.

**Makita Europe N.V.** Jan-Baptist Vinkstraat 2,  
3070 Kortenberg, Belgium

**Makita Corporation** 3-11-8, Sumiyoshi-cho,  
Anjo, Aichi 446-8502 Japan