

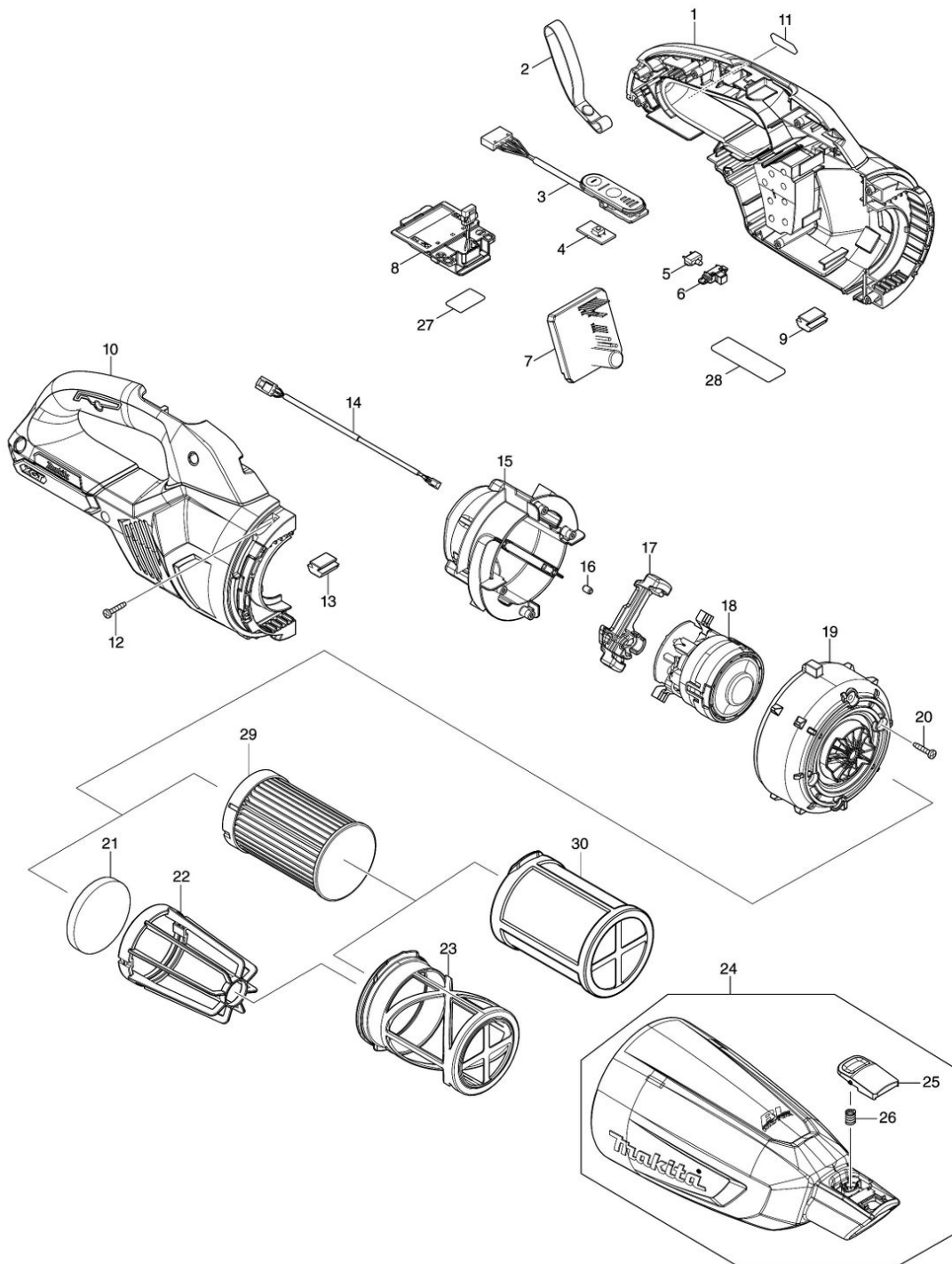
Partdrawing for CL001GZ20 - Steelstofzuiger



6/7/2021

MAKITA SERVICE INFORMATION

Model No.CL001G CORDLESS CLEANER



| Nr. | Part nr. | Name |
|--------|----------|-----------------------------------|
| 001A | 183T18-7 | Motorhuisset trp-blw CL001G |
| 001B | 183T42-0 | Motorhuisset BLW CL001G |
| 001C | 183T43-8 | Motorhuisset BLK CL001G |
| 001C10 | 263005-3 | Rubber Pen 6 |
| 001C20 | 422714-5 | Buffer CL001G |
| 003 | 141B54-1 | Circuit indicatie CL001G |
| 003C10 | 8031J2-9 | Label A/U CL001G |
| 004 | 620E74-1 | Schakelaar CL001G |
| 005 | 620E82-2 | Licht circuit DCL281F A |
| 006 | 459478-8 | Kijkvenster DCL281F |
| 007 | 620E90-3 | Toerenregeling CL001G |
| 007C10 | 688163-8 | Lijn Filter Bfs441 |
| 008 | 632P65-6 | Controleunit GA-40V serie |
| 009 | 422460-0 | Rubberen plaat DCL281 |
| 010A | 183T18-7 | Motorhuisset trp-blw CL001G |
| 010B | 183T42-0 | Motorhuisset BLW CL001G |
| 010C | 183T43-8 | Motorhuisset BLK CL001G |
| 010C10 | 263005-3 | Rubber Pen 6 |
| 010C20 | 422714-5 | Buffer CL001G |
| 011 | 8005T5-8 | Label XGT logo |
| 012 | 266429-2 | Tapschroef 3X16 P |
| 013 | 422460-0 | Rubberen plaat DCL281 |
| 014 | 632S32-9 | Draadboom CL001G |
| 015 | 141E55-7 | Motordeksel R CL001G |
| 016 | 263002-9 | Rubber Pen 4 6413 A |
| 017 | 422723-4 | Motordekselrubber CL001G |
| 018 | 629A46-9 | Motor CL001G |
| 019 | 413645-9 | Motordeksel F CL001G |
| 020 | 266429-2 | Tapschroef 3X16 P |
| 021 | 422268-2 | Sponsrubber |
| 022 | 458467-0 | Filterhouder DCL/CL-series A |
| 023 | 199966-0 | Linnen stoffilter steelstofzuiger |
| 024 | 136449-9 | Voorhuis trp-blw CL001G |
| 024C10 | 266326-2 | Tap Schroef 4X18Mm |
| 024C20 | 941051-3 | Sluitring M4 |
| 024C30 | 424208-6 | Klepventiel CI140 |
| 025 | 458939-5 | Schakelknop A DCL281F |
| 026 | 232485-4 | Drukveer 5 |
| 027 | 811M37-8 | Label serienr CL001G |
| 028 | 811M30-2 | Naamplaat CL001G |