

ACCESSOIRES / ACCESSORIES

PULSA

27E/27P

TOOL SCHEMATIC AND PARTS

20 Pin Magazine
Code 019418



30 Pin Magazine
Code 019419



Single Shot Cover Guard
Code 019523



Magnetic Washer Pin Guide P27P
Code 019891



Flat Magnetic Pin Guide P27E
Code 019546



Battery
Code 019336



Battery charger + cable
Code 019649 (EU)
Code 019482 (UK)
Cable
Code 018885 (EU)
Code 018886 (UK)



E-Lift Pole Tool 178cm, P27E
Code 018820
Adaptator E-Lift Pole P27E
Code 019415



E-Lift Tube Extension 75cm, P27E
Code 018849



Tool cleaner 300ml
Code 115251



Lubricating oil
Code 401482

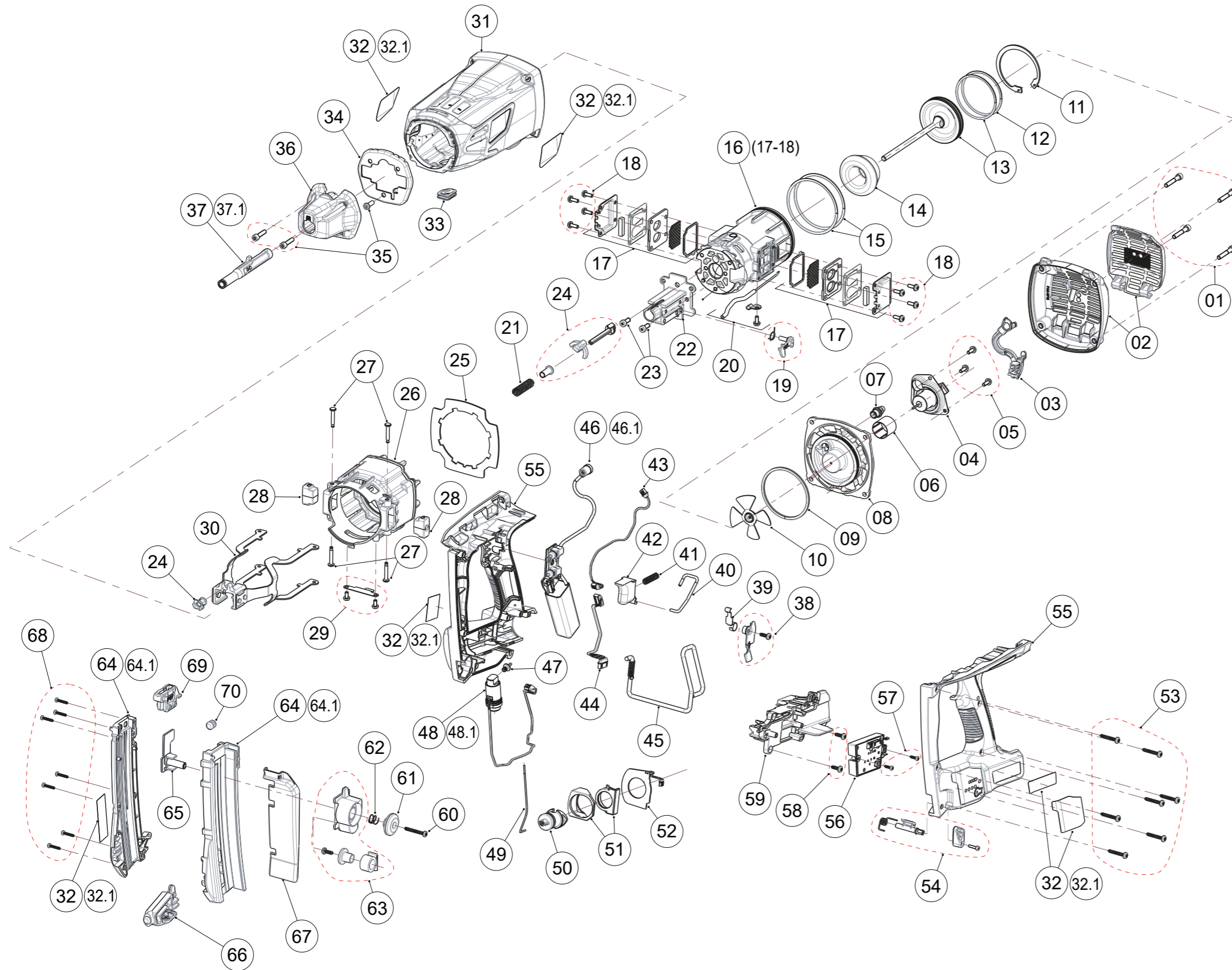


Cleaning Kit
Code 013690



IMPORTANT!
DO NOT DESTROY
Always refer to operating and safety instructions (#019344 & #014749) for detailed information on this tool. It is the customer's responsibility to have all operators and service personnel read and understand this information.





| REP | CODE | DESIGNATION | DESCRIPTION |
|------|--------|-------------------------------------|---|
| 01 | 019354 | Ens. 4 vis CHC M5-30 capot arrière | 4 CHC M5-30 screws assy |
| 02 | 019452 | Ens. capot arrière | Rear cap assy |
| 03 | 019453 | Guide fil bougie | Wire guide |
| 04 | 018416 | Ens. moteur électrique avec support | Fan motor assy |
| 05 | 018415 | Ens. 3 vis moteur torx 8-32x7/16 | 3 Motor screws torx 8-32x7/16 assy |
| 06 | 321590 | Gaine moteur | Motor sleeve |
| 07 | 013731 | Ens. bougie | Spark plug assy |
| 08 | 019454 | Culasse | Cylinder head |
| 09 | 018435 | Ens. 2 segments culasse | 2 Cylinder head metal ring assy |
| 10 | 321660 | Ventilateur | Fan blade |
| 11 | 019455 | Circlip piston | Stop retaining ring |
| 12 | 019456 | Ens. 2 segments piston | 2 Metal piston metal assy |
| 13 | 019457 | Ens. masselotte | Piston assy |
| 14 | 018434 | Amortisseur piston | Bumper |
| 15 | 019458 | Ens. 2 segments cylindre | 2 Metal sleeve metal ring assy |
| 16 | 019459 | Ens. cylindre | Cylinder assy |
| 17 | 019509 | Ens. 2 échappements | 2 Exhaust assy |
| 18 | 019460 | Ens. 8 vis échappement | 8 exhaust screws assy |
| 19 | 019461 | Ens. levier anti tir à vide | Lockout bracket follower assy |
| 20 | 019511 | Ens. tube injection | Injection pipe assy |
| 21 | 019512 | Ens. ressort chambre combustion | Combustion chamber spring assy |
| 22 | 019462 | Support guide tampon | Pin guide support |
| 23 | 019463 | Ens. 2 vis support guide tampon | 2 Pin guide support screws assy |
| 24 | 019513 | Ens. axe réglage DOD | DOD adjustemnt axis assy |
| 25 | 019464 | Membrane étanchéité | Air dam membrane |
| 26 | 019465 | Ens. chambre de combustion | Combustion chamber assy |
| 27 | 018475 | Ens. 4 axe chambre | 4 Combustion chamber stop pin assy |
| 28 | 019466 | Ens. 2 amortisseurs chambre | 2 Combustion chamber bumper assy |
| 29 | 019467 | Ens. butée verrou chambre | Combustion chamber lockout assy |
| 30 | 019468 | Cage | Upper probe |
| 31 | 019469 | Carter | Housing body |
| 32 | 019514 | Ens. kit étiquette P27P | Label kit P27P assy |
| 32-1 | 019515 | Ens. kit étiquette P27E | Label kit P27E assy |
| 33 | 019470 | Pare chaleur | Electrovalve heat protection |
| 34 | 019471 | Insert déflecteur | Deflector insert |
| 35 | 019472 | Ens. 3 vis déflecteur | 3 Deflector insert screws assy |
| 36 | 019473 | Déflecteur | Deflector |
| 37 | 019474 | Guide tampon plaquiste | Drywall nose piece |
| 37-1 | 019475 | Guide tampon électricien | Electrician nose piece |
| 38 | 019516 | Ens. support levier contacteur | Contact level plate assy |
| 39 | 019476 | Levier contacteur mise en appui | Contact level |
| 40 | 019477 | Verrou de chambre | Combustion chamber lock bar |
| 41 | 019517 | Ressort détente | Trigger spring |
| 42 | 019518 | Détente | Trigger |
| 43 | 019478 | Faisceau électrique moteur | Electric motor wires |
| 44 | 018454 | Faisceau électrique platine LED | Wire plate LED |
| 45 | 019479 | Ens. crochet ceinture | Belt hook assy |
| 46 | 018446 | MEFI P800 E/P | MEFI P800 E/P |
| 46-1 | 018497 | MEFI P800 E/P "Orange" | MEFI P800 E/P "Orange" |
| 47 | 013739 | Ens. raccord électrovanne | Electrovalve plug connection |
| 48 | 018453 | Electrovanne | Electrovalve |
| 48-1 | 018496 | Electrovanne "Orange" | "Orange" Electrovalve |
| 49 | 018470 | Ens. tube intermédiaire | Intermediary pipe assy |
| 50 | 018472 | Ens. raccord cartouche | Fuel cell connection assy |
| 51 | 018476 | Ens. bouton éjection cartouche | Fuel cell ejection button assy |
| 52 | 018463 | Antenne RFID | Antenna |
| 53 | 019480 | Ens. 7 vis poignée | 7 handle screws assy |
| 54 | 018442 | Ens. verrou magasin | Lock magasin assy |
| 55 | 019501 | Ens. poignée D & G | Right & left handle assy |
| 56 | 018448 | Platine LED | LED plate |
| 57 | 018480 | Ens. 2 vis platine LED | 2 LED plate screws assy |
| 58 | 018479 | Ens. 2 vis support cartouche | 2 Fuel cell support assy |
| 59 | 019502 | Support cartouche | Fuel cell support |
| 60 | 019519 | Vis bouton poussoir magasin | Button carrier screw |
| 61 | 019521 | Bouton poussoir magasin | Button carrier |
| 62 | 018461 | Ressort bouton poussoir magasin | Button carrier spring |
| 63 | 019503 | Ens. manette magasin | Magazine carrier assy |
| 64 | 019504 | Ens. flasque magasin D & G | Right & Left magazine flange assy |
| 64.1 | 019522 | Ens. flasque magasin D & G 30 clous | 30 Pins Right & Left magazine flange assy |
| 65 | 019505 | Poussoir magasin | Follower |
| 66 | 019506 | Talon magasin | Magazine heel |
| 67 | 019507 | Bavette magasin | Magazine protective cap |
| 68 | 018471 | Ens. 7 vis magasin | 7 magazine screws assy |
| 69 | 019508 | Bloc connexion | Shear bloc |
| 70 | 018449 | Butée élastomère magasin | Rubber magazine stop |