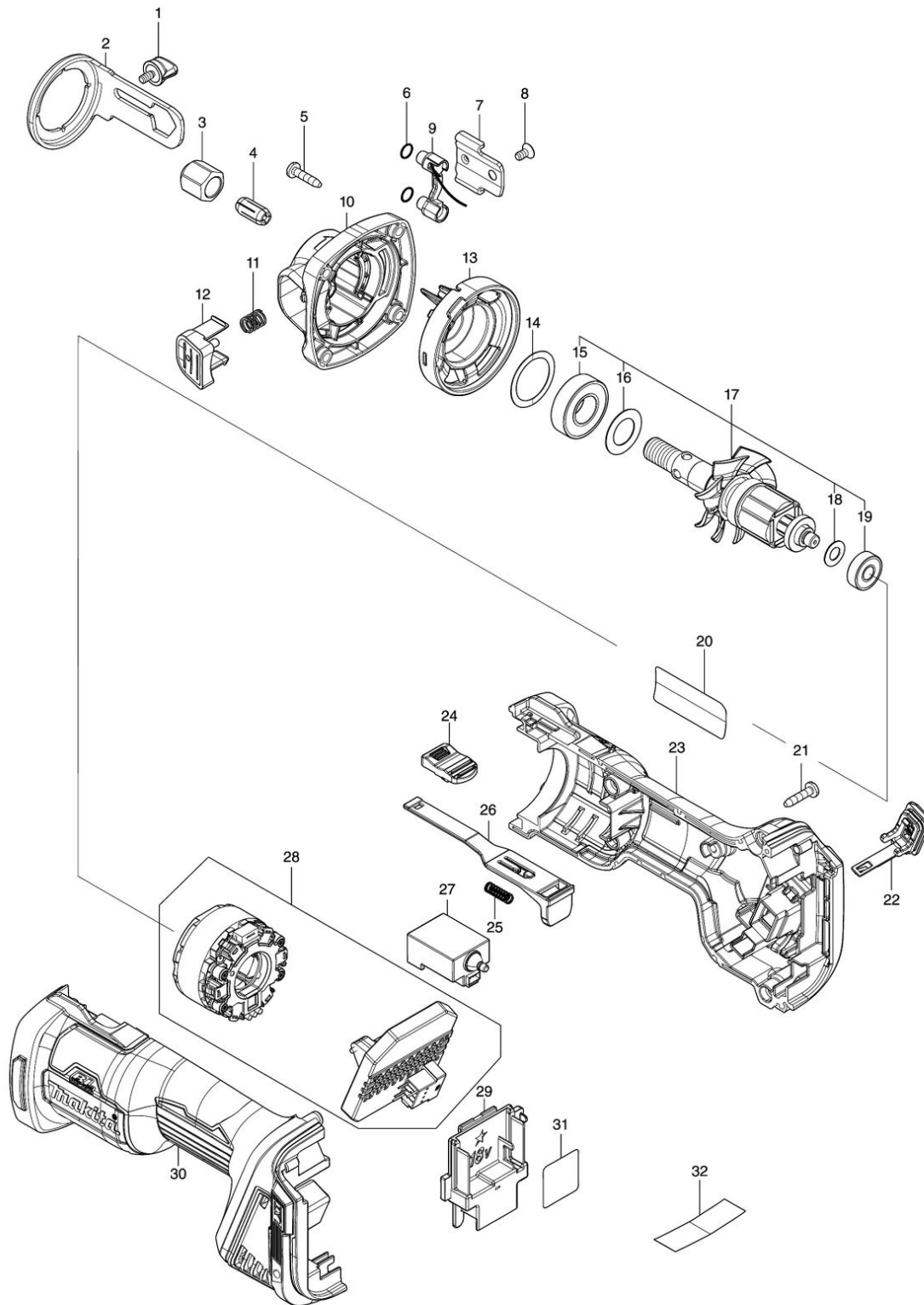


# Partdrawing for DCO181Z - Gipsfrees



Model No.DCO181 CORDLESS CUT-OUT TOOL



| Nr.    | Part nr. | Name                          |
|--------|----------|-------------------------------|
| 001    | 266898-7 | Vleugelbout M4X8 DCO18        |
| 002    | 346796-2 | Zoolplaat DCO180              |
| 003    | 763258-9 | Spantang DCO181               |
| 004    | 763677-9 | Spantang 1/8" gipsfrees       |
| 005    | 266326-2 | Tap Schroef 4X18Mm            |
| 006    | 213048-5 | O-Ring 6 9562Cv               |
| 007    | 346795-4 | Zaagvoet Geleider DCO180      |
| 008    | 265085-5 | Met.Schr. Vk M4X8Mm           |
| 009    | 620D25-8 | Ledcircuit DCO181             |
| 010    | 140V89-9 | Lagerhuiskap DCO181           |
| 011    | 234332-5 | Drukveer 7 DCO180             |
| 012    | 412727-4 | Asblokkering DCO181           |
| 013    | 412702-0 | Lagerhuis DCO181              |
| 014    | 267785-3 | Veerring 23                   |
| 015    | 211236-8 | Kogellager 6002Ddw A          |
| 016    | 267164-5 | Platte Ring 15 Bo6031         |
| 017    | 519636-9 | Anker DCO181                  |
| 018    | 253186-1 | Sluitring 7 Bhr242 A          |
| 019    | 210017-7 | Kogellager 607Lib P           |
| 021    | 266326-2 | Tap Schroef 4X18Mm            |
| 022    | 140G30-2 | Afdekkap DSP601/DHR400 A      |
| 022C10 | 213218-6 | O-Ring 16 Hk1820              |
| 023    | 183R26-6 | Behuizing DCO181              |
| 023C10 | 263005-3 | Rubber Pen 6                  |
| 023C20 | 252126-6 | Borgmoer M4X7Mm Mt070         |
| 024    | 455447-7 | Schakelknop Dga504            |
| 025    | 233121-5 | Drukveer 4                    |
| 026    | 412233-9 | Schakelaarhendel GA-40V serie |
| 027    | 651445-1 | Schakelaar GA-40V serie       |
| 028    | 629A08-7 | Veld DCO181                   |
| 029    | 643874-2 | Aansluitunit Dhp483           |
| 030    | 183R26-6 | Behuizing DCO181              |
| 030C10 | 263005-3 | Rubber Pen 6                  |
| 030C20 | 252126-6 | Borgmoer M4X7Mm Mt070         |
| 20     | 857P76-2 | Naamplaat DCO181              |
| 31     | 857P84-3 | Label serienr DCO181          |