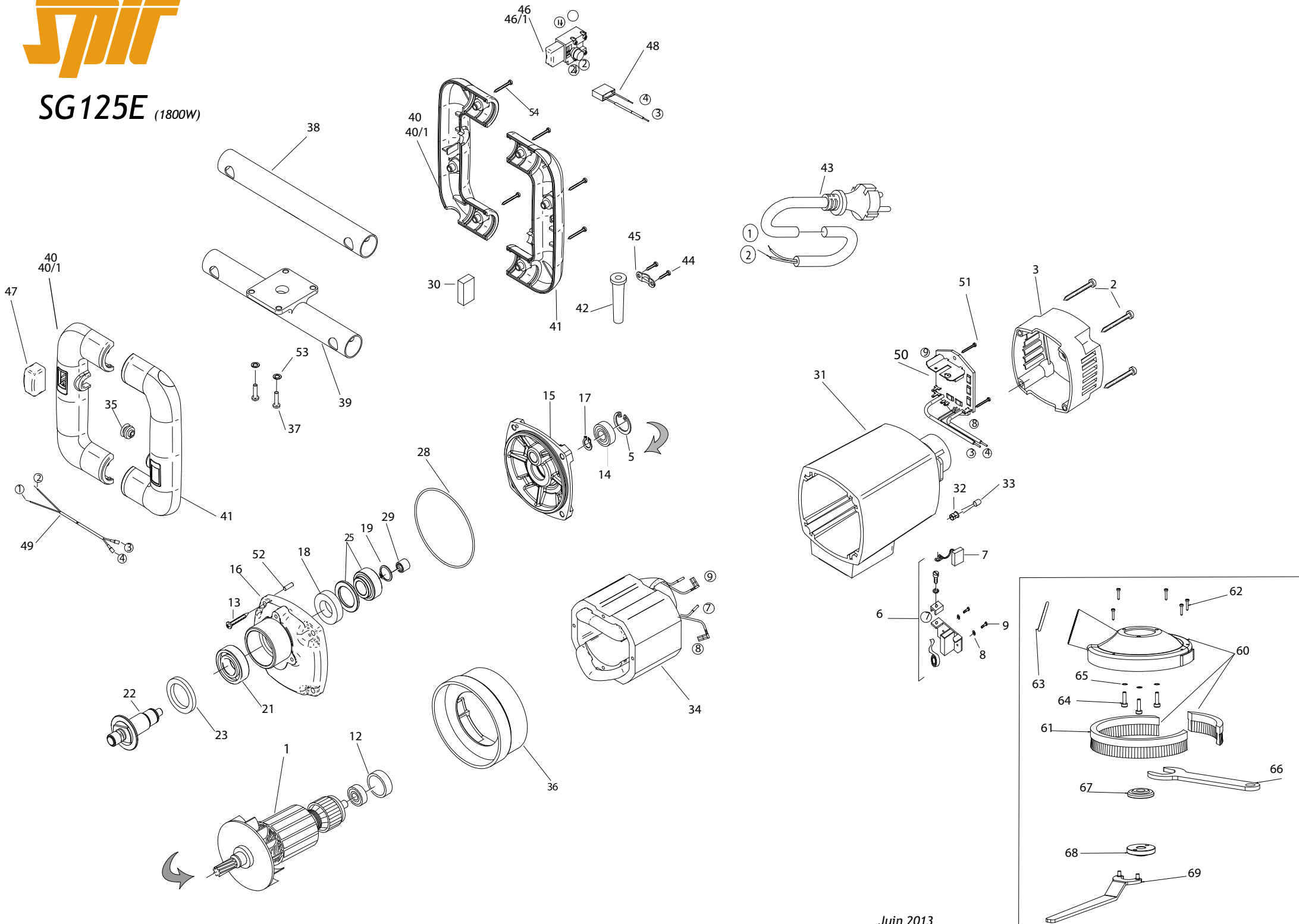


SPIT

SG125E (1800W)





Spare parts list SPIT SG125E

Sp.	Code	Désignation	Description
1	624967	ENS. INDUIT 230V	ARMATURE SET 230V
1/1	624939	ENS. INDUIT 110V	ARMATURE SET 110V
2	620822	VIS COUVERCLE CARTER	HOUSING COVER SCREW
3	623116	COUVERCLE CARTER	HOUSING COVER
5	623127	CIRCLIP	SAFETY RING
6	623109	PORTE BALAIS	CARBON BRUSHES HOLDER
7	643070	PAIRE DE BALAIS	CARBON BRUSHES SET
8	623106	RONDELLE RESSORT	WASHER SPRING
9	623505	VIS ZM 4X12	SCREW ZM 4X12
12	623102	JOINT D'INDUIT	O-RING ARMATURE
13	623119	VIS DE CARTER AVANT	HOUSING SCREW
14	624950	ROULEMENT D'INDUIT	ARMATURE BALL BEARING
15	624966	CARTER INTERMEDIAIRE	INTERMEDIATE HOUSING
16	624965	CARTER AVANT	FRONT HOUSING
17	620837	CIRCLIP DE CALAGE	LOCKING WASHER
18	643440	ROULEMENT D AXE	NEEDLE BEARING
19	624964	CIRCLIP	SAFETY RING
21	643450	ROULEMENT	BALL BEARING
22	624963	PORTE OUTIL	TOOL HOLDER
23	624962	JOINT DE PORTE OUTIL	TOOL HOLDER RING
25	624961	ROUE DENTEE	GEAR WHEEL
28	624959	JOINT DE CARTER PAPIER	HOUSING PAPER SEAL
	623518	JOINT DE CARTER NOIR (CAOUTCHOU)	BLACK HOUSING SEAL
29	620847	ROULEMENT AIGUILLES	NEEDLE BEARING
30	623203	CALE MOUSSE	PACKING PIECE
31	624958	CARTER MOTEUR	HOUSING MOTOR
32	623525	SUPPORT VOYANT	LED HOLDER
33	623473	VOYANT LUMINEUX	LED
34	624957	ENS. STATOR 230V	STATOR 230V
34/1	624938	ENS. STATOR 110V	STATOR 110V
35	623479	BOUTON BLOCAGE	BLOCK BUTTOM
36	623503	DEFLECTEUR D AIR	AIR GUIDING
37	620857	VIS TORX 5X20	SCREW 5X20
38	624955	TUBE POIGNEE SUPERIEURE	TOP HANDLE TUBE
39	624954	TUBE POIGNEE INFERIEURE	BACK HANDLE TUBE
40	620854	KIT POIGNEE D (Fab. avant juin 2008)	R. HANDLE KIT (Made before June 2008)
40/1	620886	KIT POIGNEE D (Fab après juin 2008)	R. HANDLE KIT (Made after June 2008)
41	620853	KIT POIGNEE GAUCHE	LEFT HANDLE KIT
42	620857	PROTEGE CABLE	GROMMET
43	624801	CABLE D'ALIMENTATION 230V	POWER CORD 230V
43/1	624937	CABLE D'ALIMENTATION 110V	POWER CORD 110V
44	620859	VIS SERRE CABLE	CABLE COLLAR SCREW
45	623215	SERRE CABLE	CABLE COLLAR
46	620861	INTERRUPTEUR (Fab. avant juin 2008)	SWITCH ON/OFF (Made before June 2008)
46/1	620885	INTERRUPTEUR (Fab après juin 2008)	SWITCH ON/OFF (Made after June 2008)
47	620862	PROTEGE INTERRUPTEUR	SWITCH PROTECTION
48	624948	ANTIPARASITE	CONDENSATOR
49	624953	FIL DE STATOR	STATOR WIRE
50	624952	PLATINE ELECTRONIQUE 230V	ELECTRONIC PLATE 230V
50/1	624936	PLATINE ELECTRONIQUE 110V	ELECTRONIC PLATE 110V
51-62	620874	VIS	SCREW
53/65	620877	RONDELLE RESSORT	SPRING WASHER
52	620838	GOUPILLE	NOTCHED PIN
54	620868	VIS POIGNEE	HANDLE SCREW
60	620872	CAPOT DE PROTECTION	PROTECTIVE CAP
61	620873	KIT BROSSE	BRUSH SET
63	620875	JOINT CAPOT DE PROTECTION	O-RING PROTECTIVE CAP
64	620876	VIS DU CAPOT DE PROTECTION	SCREW PROTECTIVE CAP
66	620878	CLE PLATE	SPLIT KEY
67	620879	FLASQUE INTERIEURE	INNER FLANGE
68	620880	FLASQUE EXTERIEURE	OUTER FLANGE
69	620881	CLE DE FLASQUE	KEY FLANGE