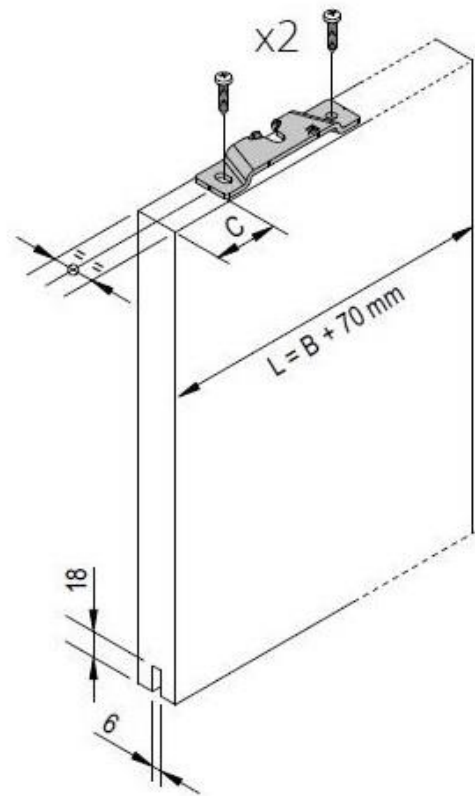
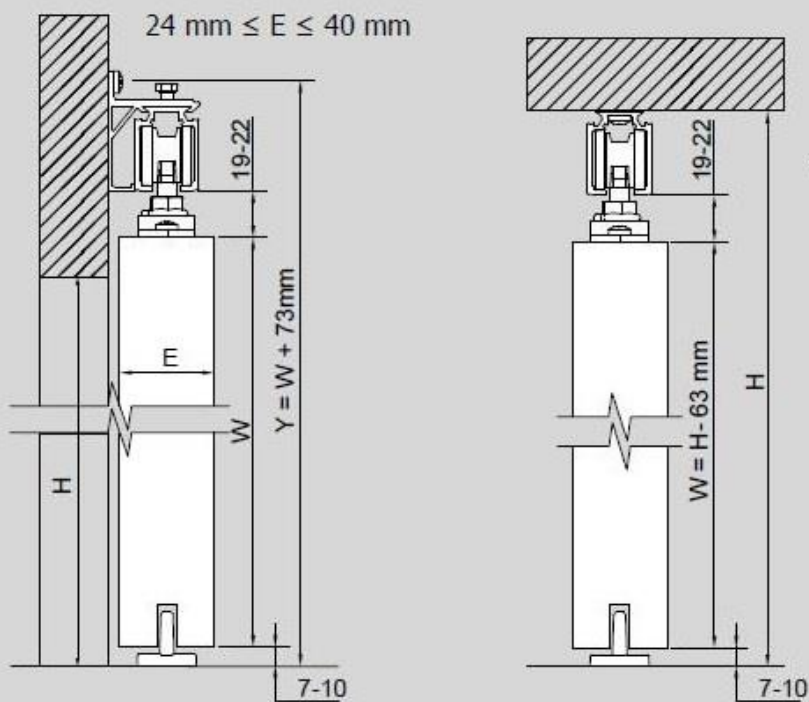
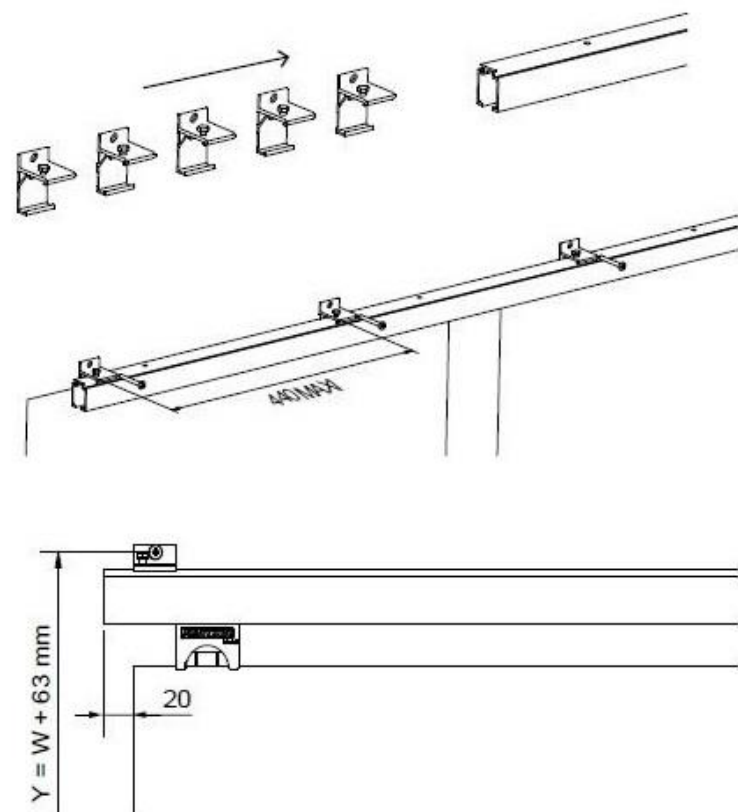
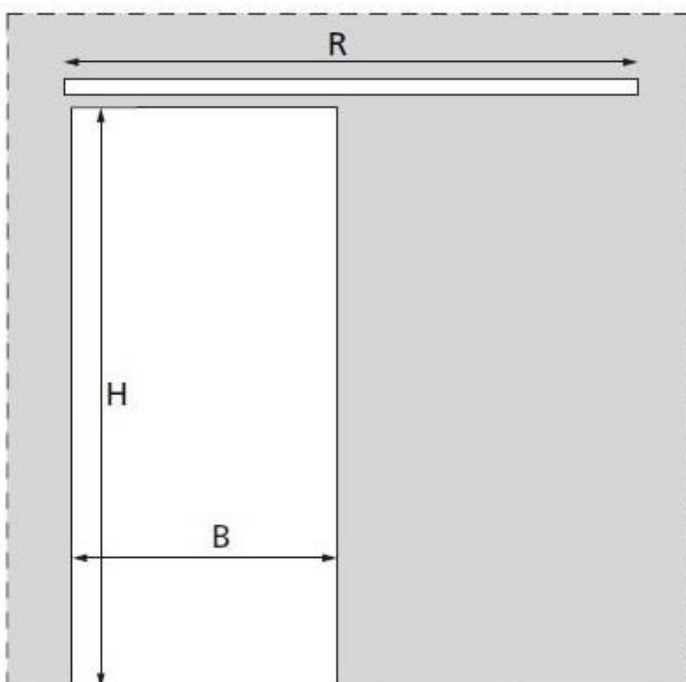


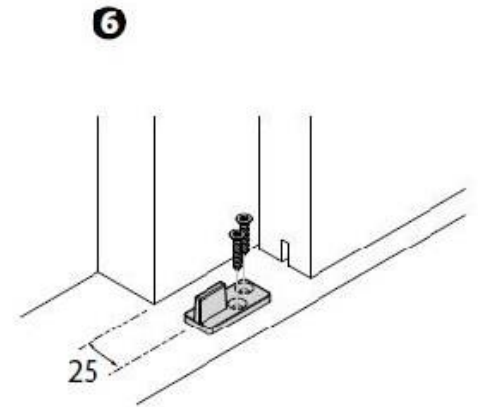
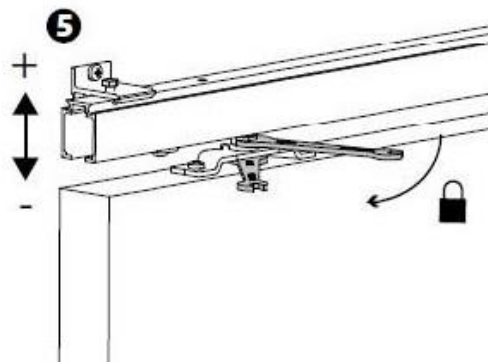
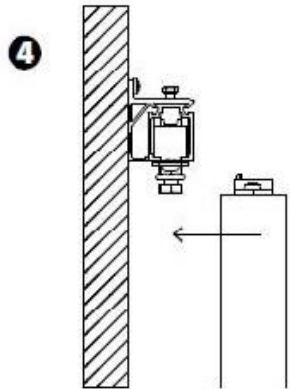
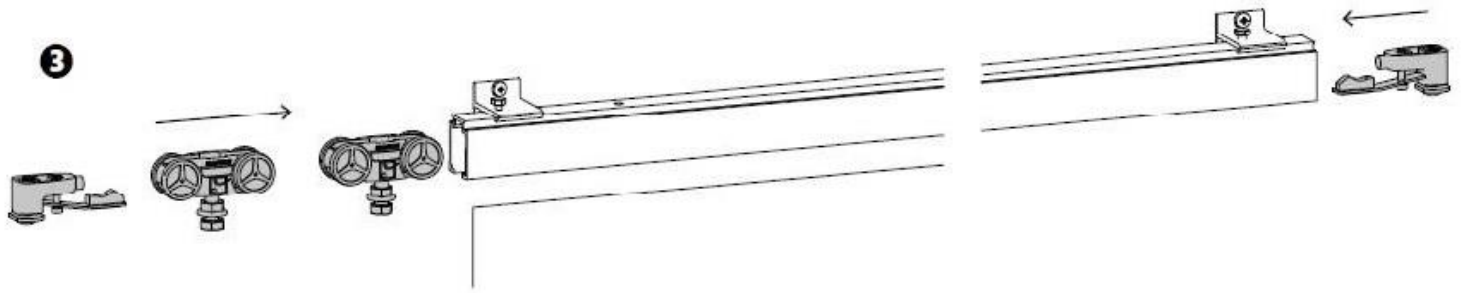
Montage handleiding Ultralux Evo 20-80



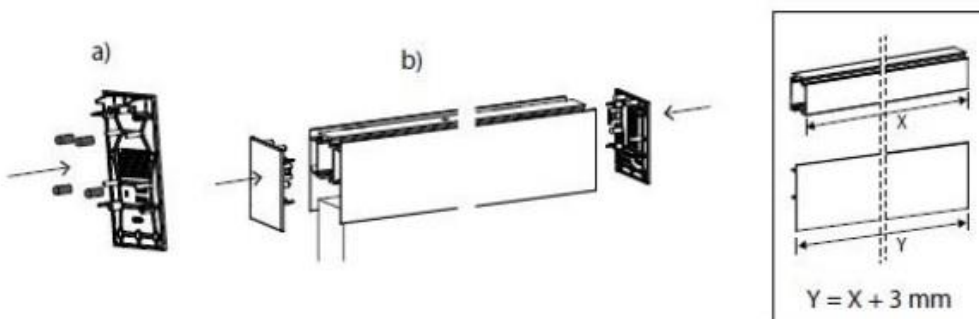
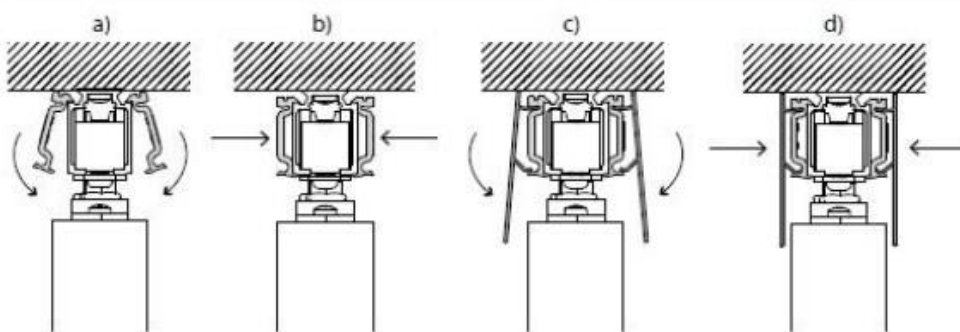
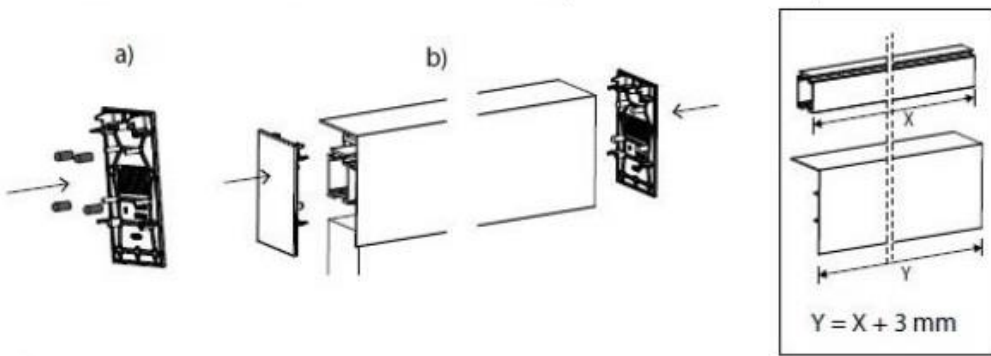
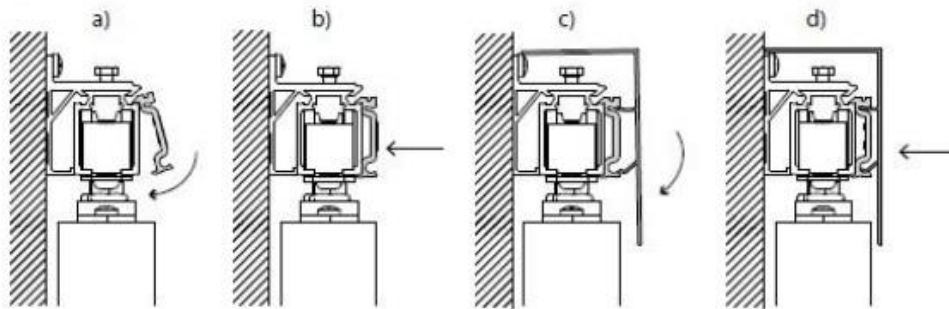
Rail / set	B (mm)	L (mm)	R (mm)
Ultralux Evo 20-80/195	$655 < B < 925$	$730 < L < 1000$	$R = (2 \times L) - 50$
Ultralux Evo 20-80/300	$925 < B < 1445$	$1000 < L < 1520$	
Ultralux Evo 80/600	$1455 \leq B < 2945$	$1520 < L < 3020$	

Butée / Stop / Stopper	C (mm)
Standaard Railstop 14898	30
Softstop 40/80	75
Softclose demper Ultralux Evo	10

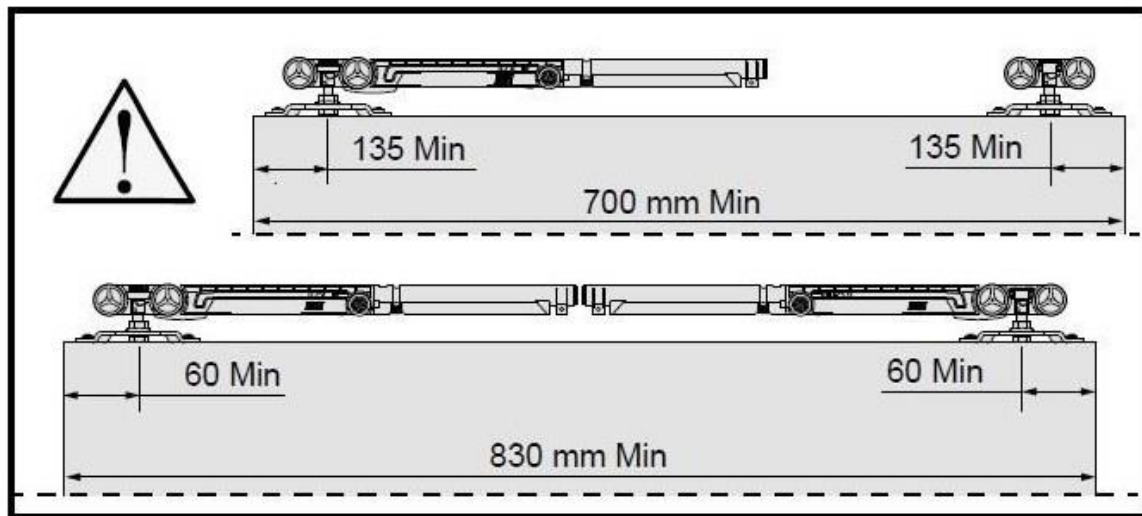




OPTIONS :



Montage handleiding Softclose demper Ultralux Evo 80



Poids de la porte Gewicht der Tür Weight of the door
10-20 kg + 21-80 kg
Temperature d'utilisation Betriebstemperatur Operating temperature
10°C--> 50°C
Temperature de stockage Lagertemperatur Storage temperature
-20°C--> 80°C

DEMPER DIENT OPGESPANNEN IN DE RAIL GEPLAATST TE WORDEN

