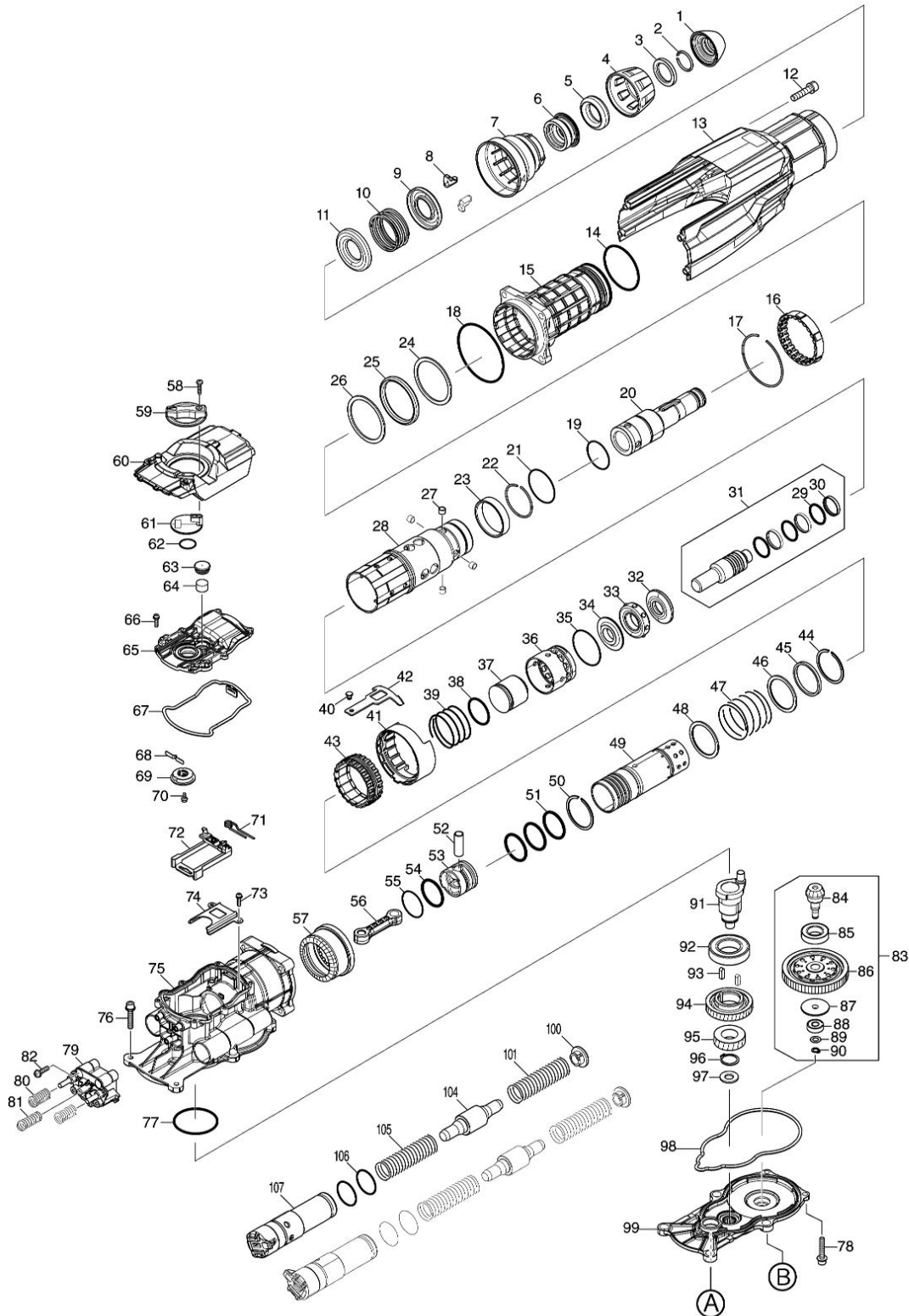


Model No.HR006G 52MM CORDLESS ROTARY HAMMER



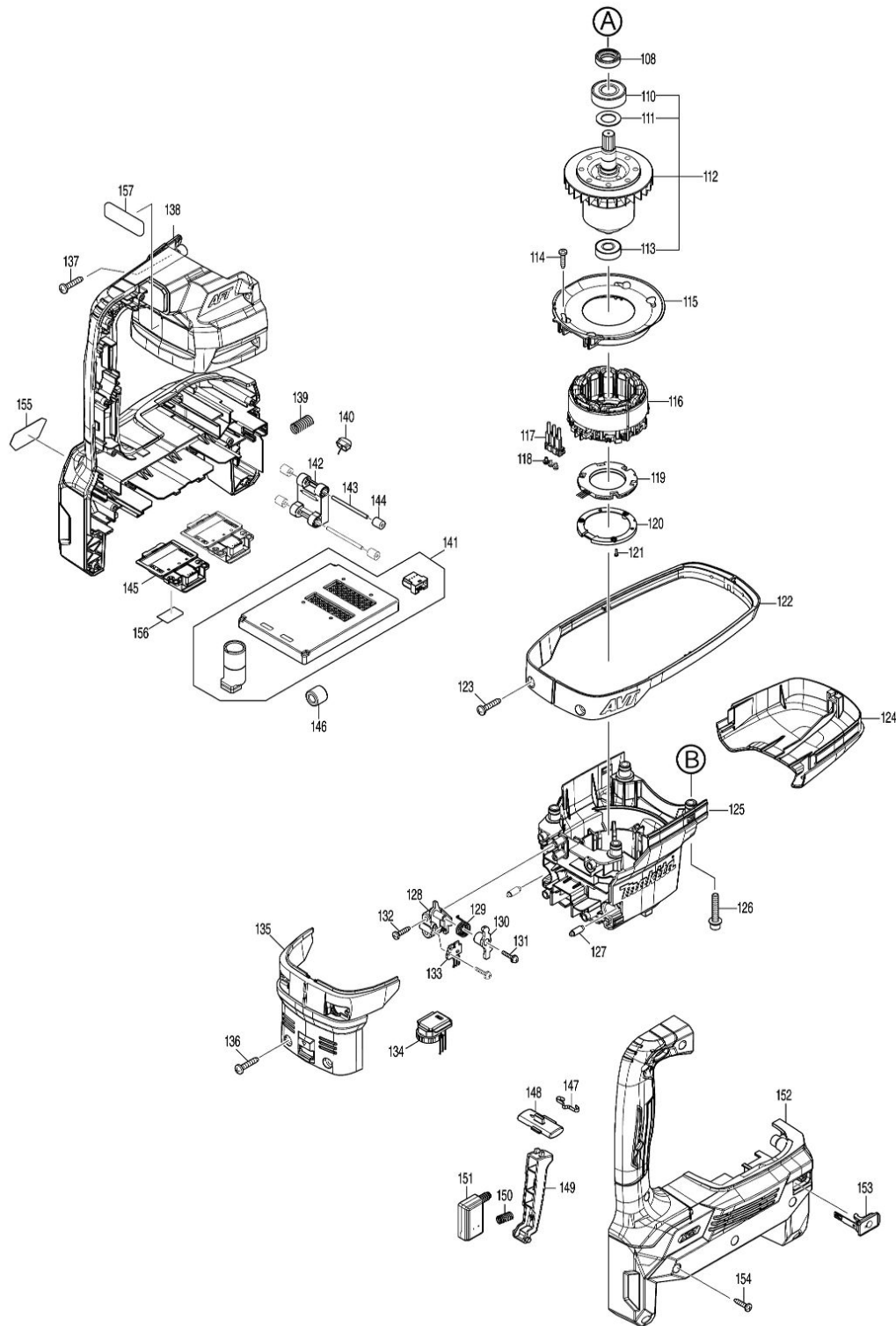
| Nr.    | Part nr. | Name                        |
|--------|----------|-----------------------------|
| 001    | 286292-7 | Beitelhouderkap Hr4013C     |
| 002    | 233948-3 | Borgring 25 Hr5210C         |
| 003    | 257367-9 | Ring 28 Hr5212C             |
| 004    | 454767-6 | Beitelblokkeerkap Hr5202C   |
| 005    | 262172-1 | Rubber Ring 29 Hr5202C      |
| 006    | 327868-2 | Ontgrendelring HR006G       |
| 007    | 454768-4 | Ontgrendelkap Hr5202C       |
| 008    | 310178-4 | Gereedschapklem Hr5210C     |
| 009    | 346751-4 | Veergeleider Hr5202C        |
| 010    | 234317-1 | Drukveer 49 Hr5202C         |
| 011    | 346751-4 | Veergeleider Hr5202C        |
| 012    | 922456-6 | Inbusbout Hr5210C           |
| 013    | 140Y01-7 | Huisdeksel HR006G           |
| 013C10 | 810100-6 | Waarschuwingslabel Hr4010C  |
| 014    | 213664-3 | O-Ring 60 Hr5212C A         |
| 015    | 142408-3 | Cilinder Compleet Hr5202C   |
| 015C10 | 213663-5 | O-Ring 55                   |
| 015C20 | 213778-8 | O-Ring 42 Hr5212C           |
| 015C30 | 214603-6 | Glijlager 49 Hr5212C        |
| 015C40 | 259056-2 | Veerring 54 Hr5212C         |
| 016    | 454769-2 | Blokkeerbus Hr5212C         |
| 017    | 259057-0 | Veerring 74 Hr5202C         |
| 018    | 213766-5 | O-Ring 78 Hr5210C           |
| 019    | 213789-3 | O-Ring 38 Hr5212C           |
| 020    | 327735-1 | Boorhouder A HR006G         |
| 021    | 213779-6 | O-Ring 45 Hr5202C           |
| 022    | 231989-3 | Borgring 46 Hm1202C         |
| 023    | 257353-0 | Ring 49 Hr5212C             |
| 024    | 267477-4 | Sluitring 60Mm Hr5212C      |
| 025    | 262171-3 | Rubber Ring 60 Hr5202C      |
| 026    | 267477-4 | Sluitring 60Mm Hr5212C      |
| 027    | 268308-0 | Pen 9Mm Hr5212C             |
| 028    | 326362-1 | Boor/Beitelhouder B Hr5202C |
| 029    | 213394-6 | O Ring 23 Hr5001C           |
| 030    | 213431-6 | Fluoride Ring 28 Hr5001C    |
| 031    | 136413-0 | Slagbout HR006G             |
| 032    | 324756-4 | Ring 20 Hr5210C             |
| 033    | 424000-0 | Rubber Ring Hr5210C         |
| 034    | 327734-3 | Kraagrevet HR006G           |
| 035    | 213783-5 | O-Ring 48 HR5212C           |
| 036    | 413263-3 | Geleidebus HR006G           |
| 037    | 327731-9 | Slaghamer HR006G            |
| 038    | 213781-9 | O-Ring 33 HR5212C           |
| 039    | 234318-9 | Drukveer 45 Hr5202C         |
| 040    | 256548-2 | Platpin 6Mm Hr4013C         |
| 041    | 454779-9 | Geleidering Hr5202C         |

| Nr.   | Part nr. | Name                       |
|-------|----------|----------------------------|
| 042   | 346749-1 | Verbindingsplaat Hr5202C   |
| 043   | 313272-1 | Geleidebus Hr5202C         |
| 044   | 257994-2 | Borgring Wr-44 Hr5202C     |
| 045   | 257355-6 | Ring 44 Hr5212C            |
| 046   | 267478-2 | Sluitring 44 Hr5212C       |
| 047   | 234319-7 | Drukveer 46 Hr5202C        |
| 048   | 267478-2 | Sluitring 44 Hr5212C       |
| 049   | 327730-1 | Cylinder 40 HR006G         |
| 050   | 257994-2 | Borgring Wr-44 Hr5202C     |
| 051   | 213460-9 | O-Ring 35                  |
| 052   | 257820-5 | Bus 9 Hr5202C              |
| 053   | 312A68-3 | Zuiger HR006G              |
| 054   | 213782-7 | O-Ring 30 HR5212C          |
| 055   | 213460-9 | O-Ring 35                  |
| 056   | 413261-7 | Drijfstand HR006G          |
| 057   | 227625-7 | Tandwiel 33 Hr5212C        |
| 058   | 265995-6 | Tapschroef 4X18 P          |
| 059   | 454326-6 | Verstelknop Hr4013C        |
| 060   | 312A70-6 | Krukashuiskap HR006G       |
| 061   | 454345-2 | Krukasgeleider Hr4013C     |
| 062   | 213262-3 | O-Ring 18                  |
| 063   | 424607-2 | Filterkap Hr5202C          |
| 064   | 443129-3 | Filter Hk1820              |
| 065   | 454764-2 | Oliedeksel Hr5202C         |
| 066   | 911526-6 | Schroef 4X16 A             |
| 067   | 424608-0 | Afdichtring B Hr5202C      |
| 067-1 | 422787-8 | Pakkingring B HR006G       |
| 068   | 232280-2 | Bladveer Hr4013C           |
| 069   | 413827-3 | Verbindingsring HR006G     |
| 070   | 911511-9 | Kruiskopschroef M4X10      |
| 071   | 233611-8 | Torsieveer 7 Hr5202C       |
| 072   | 454778-1 | Verbindinggeleider Hr5202C |
| 073   | 911526-6 | Schroef 4X16 A             |
| 074   | 346748-3 | Geleiderail Hr5202C        |
| 075   | 140Y00-9 | Krukashuis HR006G          |
| 076   | 922359-4 | Inbusbout M6X35Mm          |
| 077   | 213662-7 | O-Ring 55 Hm1810           |
| 078   | 922359-4 | Inbusbout M6X35Mm          |
| 079   | 413264-1 | Veerbasis HR006G           |
| 080   | 232662-8 | Compressieveer 12 HR006G   |
| 081   | 232664-4 | Compressieveer 10 HR006G   |
| 082   | 911233-1 | Kruiskopschroef 5X20       |
| 083   | 127823-2 | Koppelbegrenzer HR006G     |
| 084   | 227628-1 | Tandwiel 10 Hr5212C        |
| 085   | 210256-9 | Kogellager 6904LLB HR006G  |
| 086   | 142410-6 | Koppelbegrenzer Hr5212C P  |

| Nr.   | Part nr. | Name                         |
|-------|----------|------------------------------|
| 087   | 324727-1 | Kraagrevet 8Mm               |
| 088   | 210005-4 | Kogellager 608Ddw A          |
| 089   | 253215-0 | Sluitring 8X14X0,5 Mm        |
| 090   | 961004-6 | Borgring S-8                 |
| 091   | 327729-6 | Krukas HR006G                |
| 092   | 210255-1 | Kogellager 6006LLB HR006G    |
| 093   | 254229-2 | Krukasspie Hr4000C           |
| 094   | 227788-9 | Tandwiel 46 Hr5212C          |
| 095   | 227336-4 | Tandwiel 26 Hr5212C          |
| 096   | 961102-6 | Borgring S-22                |
| 097   | 253843-1 | Sluitring 12                 |
| 098   | 424609-8 | Afdichtring A Hr5212C        |
| 098-1 | 422786-0 | Pakkingring A HR006G         |
| 099   | 142409-1 | Tandwielhuis Hr5212C         |
| 100   | 454774-9 | Plaat Tbv Veer Hr5202C       |
| 101   | 233497-0 | Drukveer 15 Hr5210C          |
| 104   | 326375-2 | Balansgewicht Hr5212C        |
| 105   | 233497-0 | Drukveer 15 Hr5210C          |
| 106   | 213953-6 | O-Ring 24 Hr2430             |
| 107   | 141E52-3 | Houder cpl HR006G            |
| 108   | 213231-4 | Keerring 10 Hr4500C          |
| 110   | 211228-7 | Kogellager 6202Lib A         |
| 111   | 267215-4 | Sluitring 15 Btw200          |
| 112   | 519652-1 | Anker assy HR006G            |
| 113   | 211289-7 | Kogellager 6000Ddw Hm1213C A |
| 114   | 265995-6 | Tapschroef 4X18 P            |
| 115   | 413260-9 | Tussenplaat HR006G           |
| 116   | 629A27-3 | Veld HR006G                  |
| 117   | 632R89-4 | Draadboom HR006G             |
| 118   | 652031-1 | Schroef M3X6                 |
| 119   | 620E26-2 | Controller B HR006G          |
| 120   | 687B69-9 | Stopper DHR400               |
| 121   | 266490-9 | Parker Pt2X6                 |
| 122   | 454780-4 | Afschermplaat Hr5212C        |
| 123   | 266041-8 | Tapschroef 5X25 A            |
| 124   | 454763-4 | Tandwielhuisdeksel Hr5212C   |
| 125   | 413256-0 | Motorhuis HR006G             |
| 126   | 922359-4 | Inbusbout M6X35Mm            |
| 126-1 | 922359-4 | Inbusbout M6X35Mm            |
| 127   | 256380-4 | Kraagpen 4-6 DHR400          |
| 128   | 412985-2 | Basisplaat HM001G            |
| 129   | 232643-2 | Torsieveer 13 HR005G         |
| 130   | 140W48-9 | Hendel cpl HM1511            |
| 131   | 263046-9 | Tapschroef 3x14mm HR005G     |
| 132   | 265995-6 | Tapschroef 4X18 P            |
| 133   | 620E28-8 | Circuit sensor HR006G        |

| <b>Nr.</b> | <b>Part nr.</b> | <b>Name</b>                  |
|------------|-----------------|------------------------------|
| 134        | 620E29-6        | Circuitknop HR006G           |
| 135        | 140X97-2        | Motorhuiskap HR006G          |
| 135C10     | 422660-2        | Tussenplaat HM002G           |
| 136        | 266041-8        | Tapschroef 5X25 A            |
| 137        | 266041-8        | Tapschroef 5X25 A            |
| 138        | 183S32-7        | Behuizingset HR006G          |
| 138C10     | 263005-3        | Rubber Pen 6                 |
| 138C20     | 347755-9        | Glijrail HM002G              |
| 138C30     | 422646-6        | Kap 10 HR005G                |
| 138C40     | 347782-6        | Plaat HM002G                 |
| 139        | 232663-6        | Compressieveer 8 HR006G      |
| 140        | 620E27-0        | Circuit led HR006G           |
| 141        | 620E25-4        | Controller HR006G            |
| 142        | 620E30-1        | Versnellingsmeter HR006G     |
| 143        | 256886-2        | As 3mm HR001G                |
| 144        | 422472-3        | Demper HR001G                |
| 145        | 632R98-3        | Aansluitunit HR006G          |
| 146        | 688163-8        | Lijn Filter Bfs441           |
| 147        | 232152-1        | Bladveer 6832                |
| 148        | 412953-5        | Trekblokkeerring HR005G      |
| 149        | 458097-7        | Schakelaarhandel DHR400      |
| 150        | 232418-9        | Drukveer 5                   |
| 151        | 651083-9        | Schakelaar C3Xa-1Pspm Dsp600 |
| 152        | 183S32-7        | Behuizingset HR006G          |
| 152C10     | 263005-3        | Rubber Pen 6                 |
| 152C20     | 347755-9        | Glijrail HM002G              |
| 152C30     | 422646-6        | Kap 10 HR005G                |
| 152C40     | 347782-6        | Plaat HM002G                 |
| 153        | 140F99-0        | Afdekkap DGA701              |
| 153C10     | 213218-6        | O-Ring 16 Hk1820             |
| 153C20     | 818H07-8        | Label DGA701                 |
| 154        | 265995-6        | Tapschroef 4X18 P            |
| 155        | 8029M5-9        | Label XGT HM002G             |
| 156        | 811996-8        | Label sernr HR006G           |
| 157        | 811990-0        | Naamplaat HR006G             |

Model No.HR006G 52MM CORDLESS ROTARY HAMMER



| Nr.    | Part nr. | Name                        |
|--------|----------|-----------------------------|
| 001    | 286292-7 | Beitelhouderkap Hr4013C     |
| 002    | 233948-3 | Borgring 25 Hr5210C         |
| 003    | 257367-9 | Ring 28 Hr5212C             |
| 004    | 454767-6 | Beitelblokkeerkap Hr5202C   |
| 005    | 262172-1 | Rubber Ring 29 Hr5202C      |
| 006    | 327868-2 | Ontgrendelring HR006G       |
| 007    | 454768-4 | Ontgrendelkap Hr5202C       |
| 008    | 310178-4 | Gereedschapklem Hr5210C     |
| 009    | 346751-4 | Veergeleider Hr5202C        |
| 010    | 234317-1 | Drukveer 49 Hr5202C         |
| 011    | 346751-4 | Veergeleider Hr5202C        |
| 012    | 922456-6 | Inbusbout Hr5210C           |
| 013    | 140Y01-7 | Huisdeksel HR006G           |
| 013C10 | 810100-6 | Waarschuwingslabel Hr4010C  |
| 014    | 213664-3 | O-Ring 60 Hr5212C A         |
| 015    | 142408-3 | Cilinder Compleet Hr5202C   |
| 015C10 | 213663-5 | O-Ring 55                   |
| 015C20 | 213778-8 | O-Ring 42 Hr5212C           |
| 015C30 | 214603-6 | Glijlager 49 Hr5212C        |
| 015C40 | 259056-2 | Veerring 54 Hr5212C         |
| 016    | 454769-2 | Blokkeerbus Hr5212C         |
| 017    | 259057-0 | Veerring 74 Hr5202C         |
| 018    | 213766-5 | O-Ring 78 Hr5210C           |
| 019    | 213789-3 | O-Ring 38 Hr5212C           |
| 020    | 327735-1 | Boorhouder A HR006G         |
| 021    | 213779-6 | O-Ring 45 Hr5202C           |
| 022    | 231989-3 | Borgring 46 Hm1202C         |
| 023    | 257353-0 | Ring 49 Hr5212C             |
| 024    | 267477-4 | Sluitring 60Mm Hr5212C      |
| 025    | 262171-3 | Rubber Ring 60 Hr5202C      |
| 026    | 267477-4 | Sluitring 60Mm Hr5212C      |
| 027    | 268308-0 | Pen 9Mm Hr5212C             |
| 028    | 326362-1 | Boor/Beitelhouder B Hr5202C |
| 029    | 213394-6 | O Ring 23 Hr5001C           |
| 030    | 213431-6 | Fluoride Ring 28 Hr5001C    |
| 031    | 136413-0 | Slagbout HR006G             |
| 032    | 324756-4 | Ring 20 Hr5210C             |
| 033    | 424000-0 | Rubber Ring Hr5210C         |
| 034    | 327734-3 | Kraagrevet HR006G           |
| 035    | 213783-5 | O-Ring 48 HR5212C           |
| 036    | 413263-3 | Geleidebus HR006G           |
| 037    | 327731-9 | Slaghamer HR006G            |
| 038    | 213781-9 | O-Ring 33 HR5212C           |
| 039    | 234318-9 | Drukveer 45 Hr5202C         |
| 040    | 256548-2 | Platpin 6Mm Hr4013C         |
| 041    | 454779-9 | Geleidering Hr5202C         |

| Nr.   | Part nr. | Name                       |
|-------|----------|----------------------------|
| 042   | 346749-1 | Verbindingsplaat Hr5202C   |
| 043   | 313272-1 | Geleidebus Hr5202C         |
| 044   | 257994-2 | Borgring Wr-44 Hr5202C     |
| 045   | 257355-6 | Ring 44 Hr5212C            |
| 046   | 267478-2 | Sluitring 44 Hr5212C       |
| 047   | 234319-7 | Drukveer 46 Hr5202C        |
| 048   | 267478-2 | Sluitring 44 Hr5212C       |
| 049   | 327730-1 | Cylinder 40 HR006G         |
| 050   | 257994-2 | Borgring Wr-44 Hr5202C     |
| 051   | 213460-9 | O-Ring 35                  |
| 052   | 257820-5 | Bus 9 Hr5202C              |
| 053   | 312A68-3 | Zuiger HR006G              |
| 054   | 213782-7 | O-Ring 30 HR5212C          |
| 055   | 213460-9 | O-Ring 35                  |
| 056   | 413261-7 | Drijfstand HR006G          |
| 057   | 227625-7 | Tandwiel 33 Hr5212C        |
| 058   | 265995-6 | Tapschroef 4X18 P          |
| 059   | 454326-6 | Verstelknop Hr4013C        |
| 060   | 312A70-6 | Krukashuiskap HR006G       |
| 061   | 454345-2 | Krukasgeleider Hr4013C     |
| 062   | 213262-3 | O-Ring 18                  |
| 063   | 424607-2 | Filterkap Hr5202C          |
| 064   | 443129-3 | Filter Hk1820              |
| 065   | 454764-2 | Oliedeksel Hr5202C         |
| 066   | 911526-6 | Schroef 4X16 A             |
| 067   | 424608-0 | Afdichtring B Hr5202C      |
| 067-1 | 422787-8 | Pakkingring B HR006G       |
| 068   | 232280-2 | Bladveer Hr4013C           |
| 069   | 413827-3 | Verbindingsring HR006G     |
| 070   | 911511-9 | Kruiskopschroef M4X10      |
| 071   | 233611-8 | Torsieveer 7 Hr5202C       |
| 072   | 454778-1 | Verbindinggeleider Hr5202C |
| 073   | 911526-6 | Schroef 4X16 A             |
| 074   | 346748-3 | Geleiderail Hr5202C        |
| 075   | 140Y00-9 | Krukashuis HR006G          |
| 076   | 922359-4 | Inbusbout M6X35Mm          |
| 077   | 213662-7 | O-Ring 55 Hm1810           |
| 078   | 922359-4 | Inbusbout M6X35Mm          |
| 079   | 413264-1 | Veerbasis HR006G           |
| 080   | 232662-8 | Compressieveer 12 HR006G   |
| 081   | 232664-4 | Compressieveer 10 HR006G   |
| 082   | 911233-1 | Kruiskopschroef 5X20       |
| 083   | 127823-2 | Koppelbegrenzer HR006G     |
| 084   | 227628-1 | Tandwiel 10 Hr5212C        |
| 085   | 210256-9 | Kogellager 6904LLB HR006G  |
| 086   | 142410-6 | Koppelbegrenzer Hr5212C P  |



| Nr.   | Part nr. | Name                         |
|-------|----------|------------------------------|
| 087   | 324727-1 | Kraagrevet 8Mm               |
| 088   | 210005-4 | Kogellager 608Ddw A          |
| 089   | 253215-0 | Sluitring 8X14X0,5 Mm        |
| 090   | 961004-6 | Borgring S-8                 |
| 091   | 327729-6 | Krukas HR006G                |
| 092   | 210255-1 | Kogellager 6006LLB HR006G    |
| 093   | 254229-2 | Krukasspie Hr4000C           |
| 094   | 227788-9 | Tandwiel 46 Hr5212C          |
| 095   | 227336-4 | Tandwiel 26 Hr5212C          |
| 096   | 961102-6 | Borgring S-22                |
| 097   | 253843-1 | Sluitring 12                 |
| 098   | 424609-8 | Afdichtring A Hr5212C        |
| 098-1 | 422786-0 | Pakkingring A HR006G         |
| 099   | 142409-1 | Tandwielhuis Hr5212C         |
| 100   | 454774-9 | Plaat Tbv Veer Hr5202C       |
| 101   | 233497-0 | Drukveer 15 Hr5210C          |
| 104   | 326375-2 | Balansgewicht Hr5212C        |
| 105   | 233497-0 | Drukveer 15 Hr5210C          |
| 106   | 213953-6 | O-Ring 24 Hr2430             |
| 107   | 141E52-3 | Houder cpl HR006G            |
| 108   | 213231-4 | Keerring 10 Hr4500C          |
| 110   | 211228-7 | Kogellager 6202Lib A         |
| 111   | 267215-4 | Sluitring 15 Btw200          |
| 112   | 519652-1 | Anker assy HR006G            |
| 113   | 211289-7 | Kogellager 6000Ddw Hm1213C A |
| 114   | 265995-6 | Tapschroef 4X18 P            |
| 115   | 413260-9 | Tussenplaat HR006G           |
| 116   | 629A27-3 | Veld HR006G                  |
| 117   | 632R89-4 | Draadboom HR006G             |
| 118   | 652031-1 | Schroef M3X6                 |
| 119   | 620E26-2 | Controller B HR006G          |
| 120   | 687B69-9 | Stopper DHR400               |
| 121   | 266490-9 | Parker Pt2X6                 |
| 122   | 454780-4 | Afschermplaat Hr5212C        |
| 123   | 266041-8 | Tapschroef 5X25 A            |
| 124   | 454763-4 | Tandwielhuisdeksel Hr5212C   |
| 125   | 413256-0 | Motorhuis HR006G             |
| 126   | 922359-4 | Inbusbout M6X35Mm            |
| 126-1 | 922359-4 | Inbusbout M6X35Mm            |
| 127   | 256380-4 | Kraagpen 4-6 DHR400          |
| 128   | 412985-2 | Basisplaat HM001G            |
| 129   | 232643-2 | Torsieveer 13 HR005G         |
| 130   | 140W48-9 | Hendel cpl HM1511            |
| 131   | 263046-9 | Tapschroef 3x14mm HR005G     |
| 132   | 265995-6 | Tapschroef 4X18 P            |
| 133   | 620E28-8 | Circuit sensor HR006G        |

| <b>Nr.</b> | <b>Part nr.</b> | <b>Name</b>                  |
|------------|-----------------|------------------------------|
| 134        | 620E29-6        | Circuitknop HR006G           |
| 135        | 140X97-2        | Motorhuiskap HR006G          |
| 135C10     | 422660-2        | Tussenplaat HM002G           |
| 136        | 266041-8        | Tapschroef 5X25 A            |
| 137        | 266041-8        | Tapschroef 5X25 A            |
| 138        | 183S32-7        | Behuizingset HR006G          |
| 138C10     | 263005-3        | Rubber Pen 6                 |
| 138C20     | 347755-9        | Glijrail HM002G              |
| 138C30     | 422646-6        | Kap 10 HR005G                |
| 138C40     | 347782-6        | Plaat HM002G                 |
| 139        | 232663-6        | Compressieveer 8 HR006G      |
| 140        | 620E27-0        | Circuit led HR006G           |
| 141        | 620E25-4        | Controller HR006G            |
| 142        | 620E30-1        | Versnellingsmeter HR006G     |
| 143        | 256886-2        | As 3mm HR001G                |
| 144        | 422472-3        | Demper HR001G                |
| 145        | 632R98-3        | Aansluitunit HR006G          |
| 146        | 688163-8        | Lijn Filter Bfs441           |
| 147        | 232152-1        | Bladveer 6832                |
| 148        | 412953-5        | Trekblokkeerring HR005G      |
| 149        | 458097-7        | Schakelaarhandel DHR400      |
| 150        | 232418-9        | Drukveer 5                   |
| 151        | 651083-9        | Schakelaar C3Xa-1Pspm Dsp600 |
| 152        | 183S32-7        | Behuizingset HR006G          |
| 152C10     | 263005-3        | Rubber Pen 6                 |
| 152C20     | 347755-9        | Glijrail HM002G              |
| 152C30     | 422646-6        | Kap 10 HR005G                |
| 152C40     | 347782-6        | Plaat HM002G                 |
| 153        | 140F99-0        | Afdekkap DGA701              |
| 153C10     | 213218-6        | O-Ring 16 Hk1820             |
| 153C20     | 818H07-8        | Label DGA701                 |
| 154        | 265995-6        | Tapschroef 4X18 P            |
| 155        | 8029M5-9        | Label XGT HM002G             |
| 156        | 811996-8        | Label sernr HR006G           |
| 157        | 811990-0        | Naamplaat HR006G             |