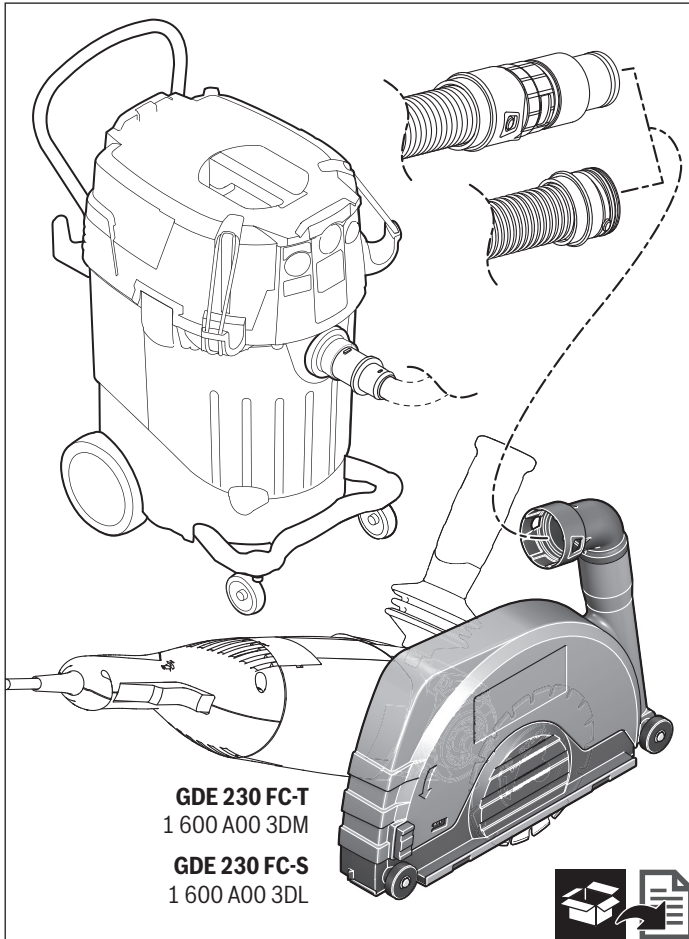


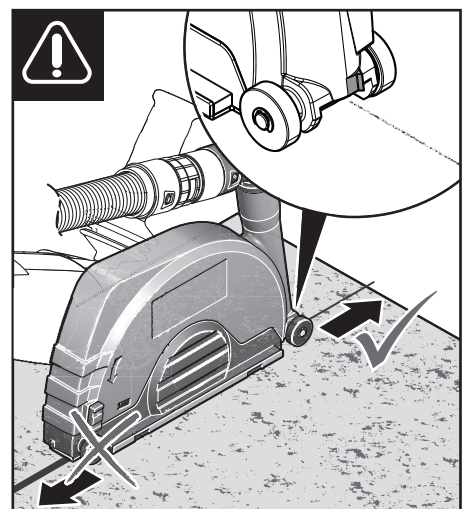
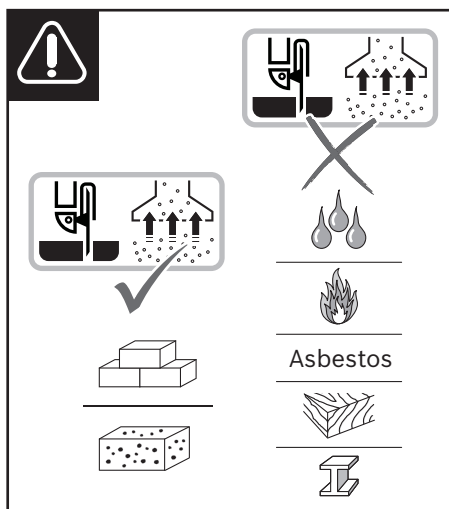
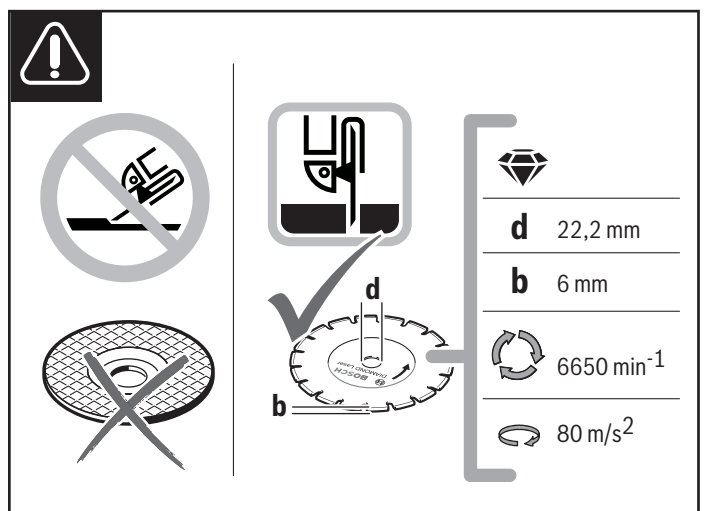
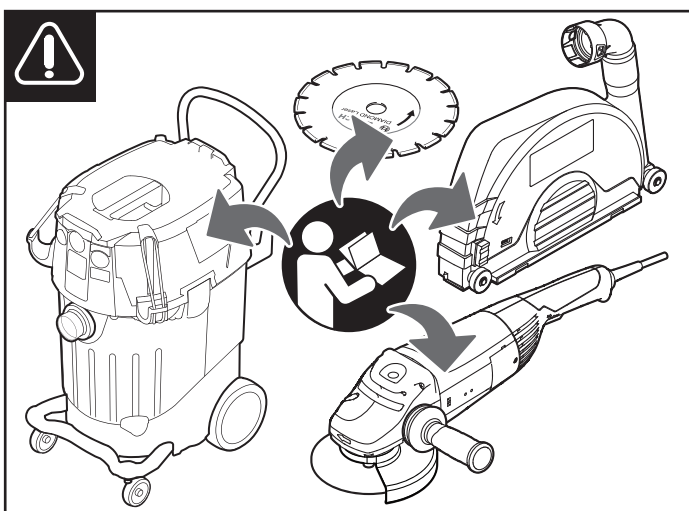
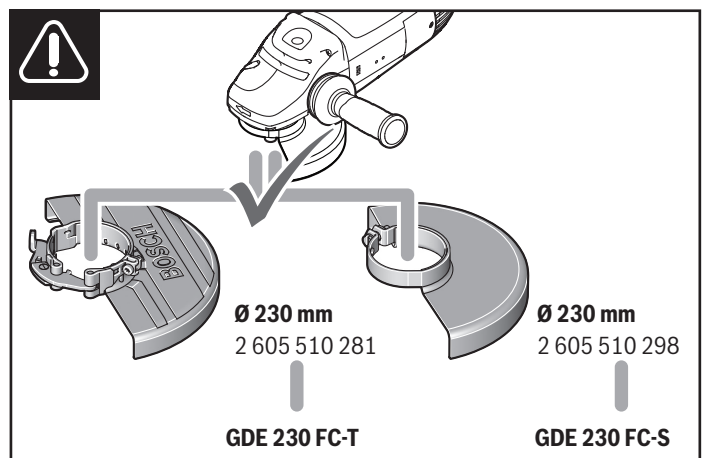
# GDE 230 Professional

FC-T|FC-S

**Robert Bosch Power Tools GmbH**  
 70538 Stuttgart  
 GERMANY  
[www.bosch-pt.com](http://www.bosch-pt.com)  
 1 609 92A 3AF (2014.09) PS / 2



	GDE 230 FC-T	GDE 230 FC-S
$\varnothing$	mm	230
max.	mm	60
	2 605 510 281	2 605 510 298
	kg	2,1



2 |

