

FITTING INSTRUCTIONS - NOTICE DE POSE - MONTAGE HANDLEIDING - MONTAGEANLEITUNG ISTRUZIONI DI MONTAGGIO - INSTUCCIONES DE MONTAJE

Warranty. This product is covered by a 10 year manufacturer's warranty. Please see the P C Henderson website for terms and conditions.

WATCH THE INSTALLATION VIDEO

Visit: www.pchenderson.com/bifold-installation

Or scan the QR code using your phone

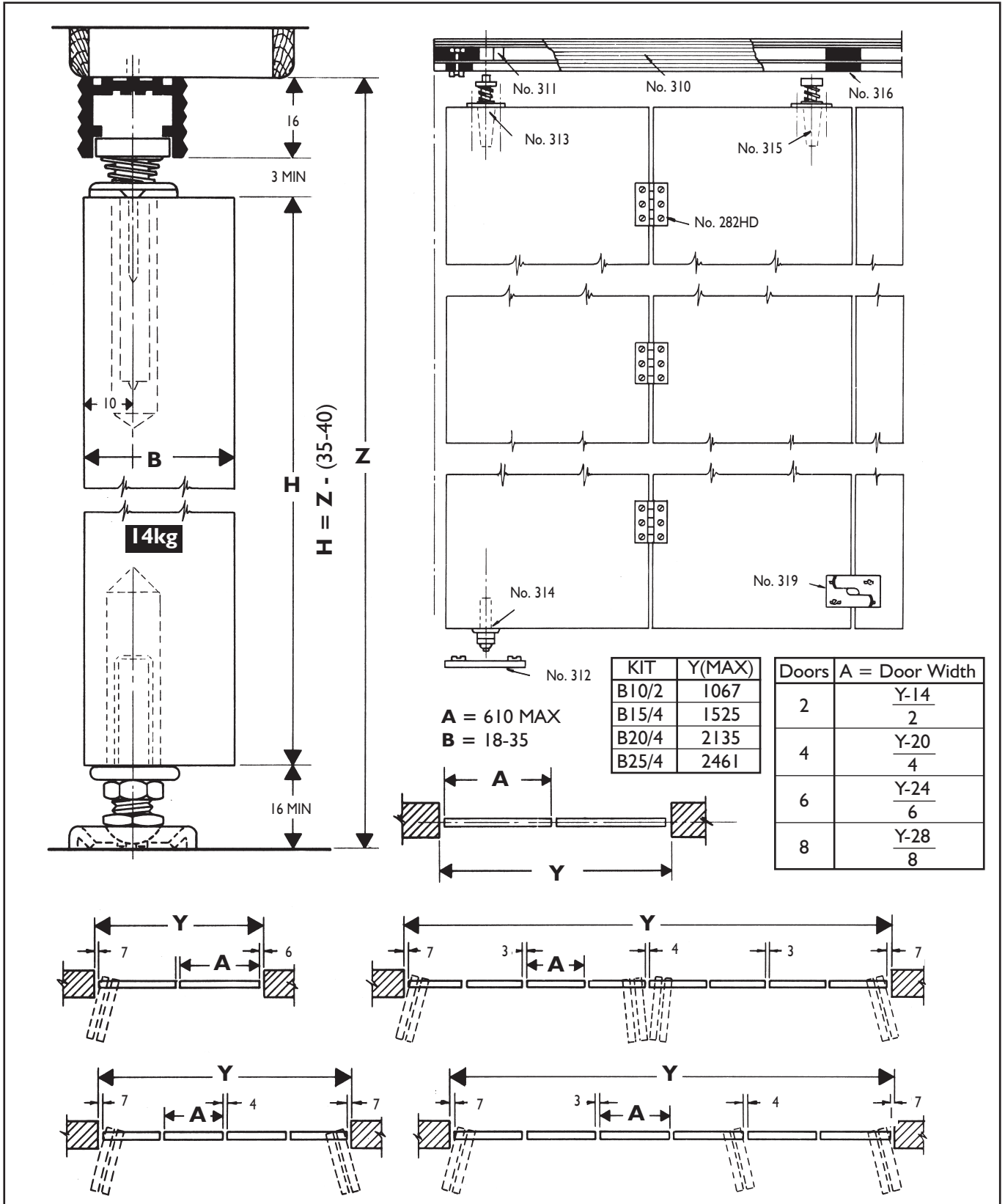


Diagram 1.

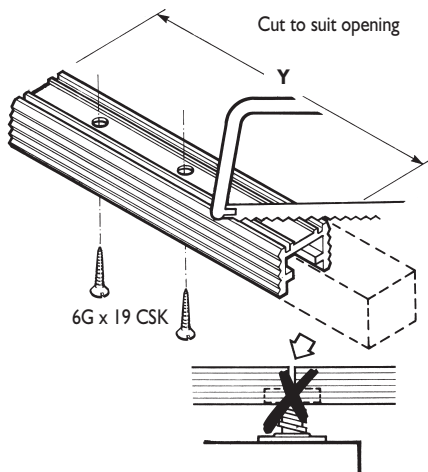


Diagram 2.

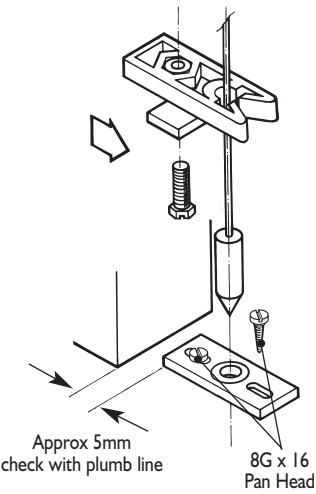


Diagram 3.

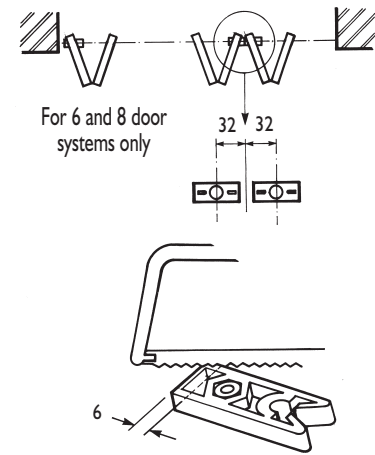


Diagram 4.

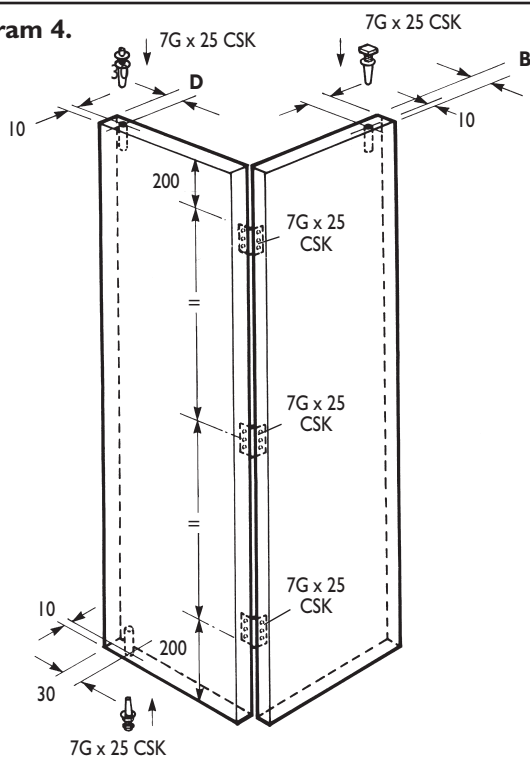
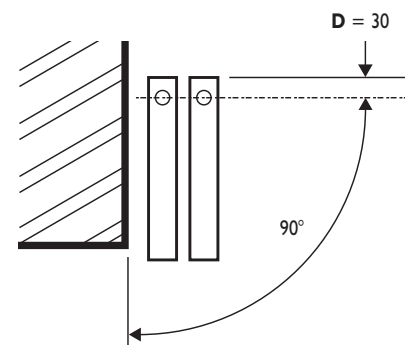


Diagram 5.

Layout 1

When the doors are required to stack perpendicular to the opening



Layout 2

When the doors are required to stack at an angle to the opening use the table to calculate the position of the sliding guide on the second door.

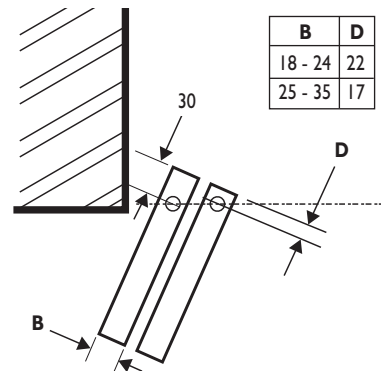


Diagram 6.



Diagram 7.

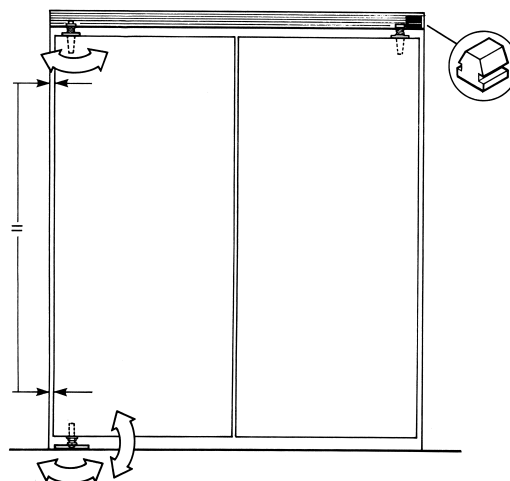


Diagram 8.

