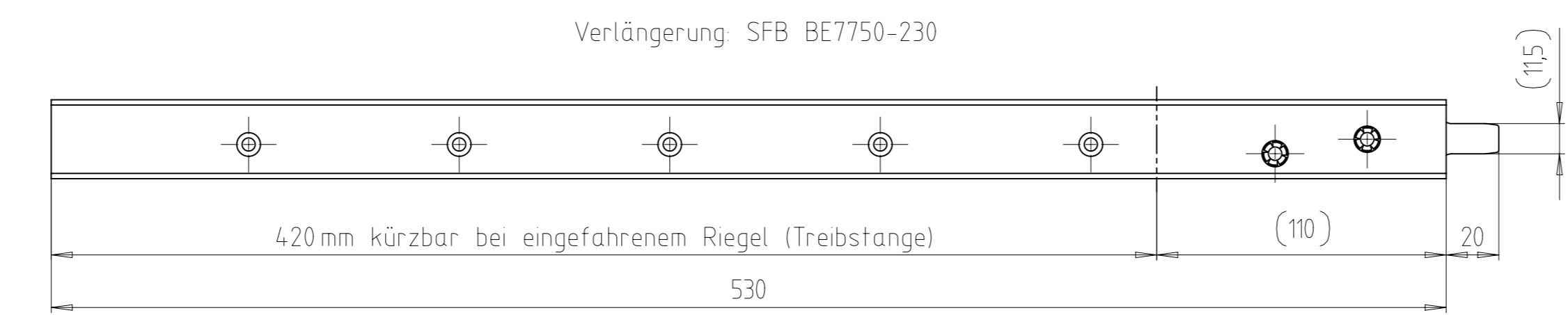
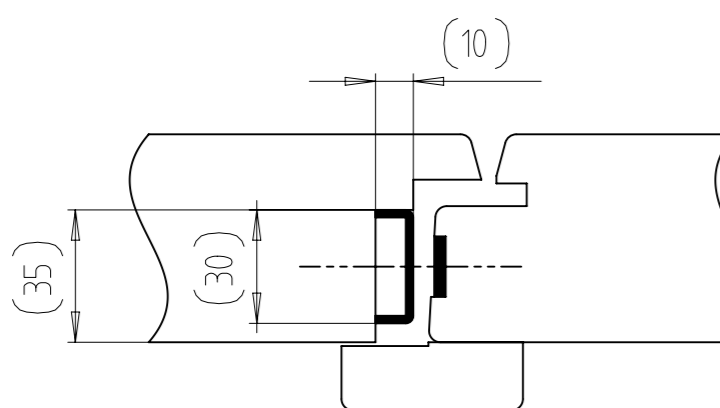
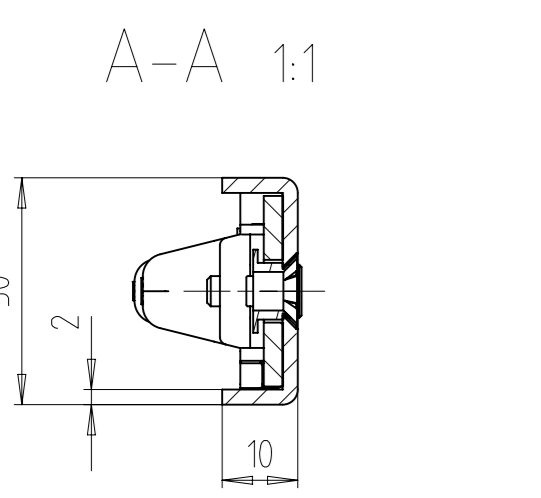
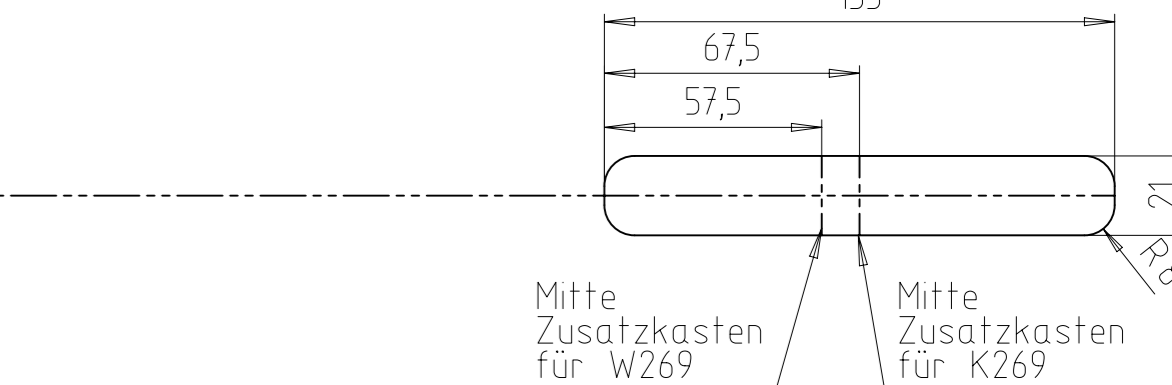
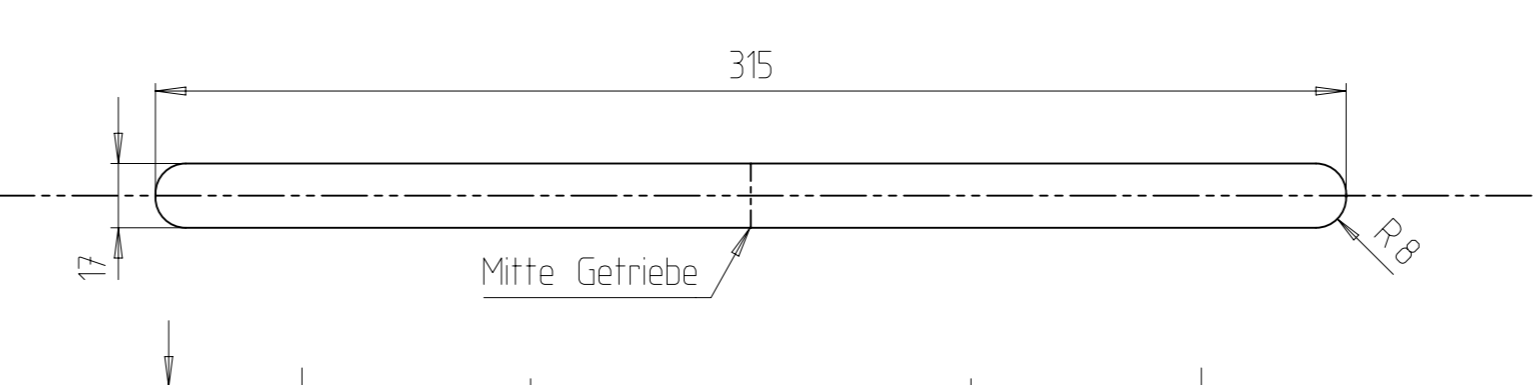
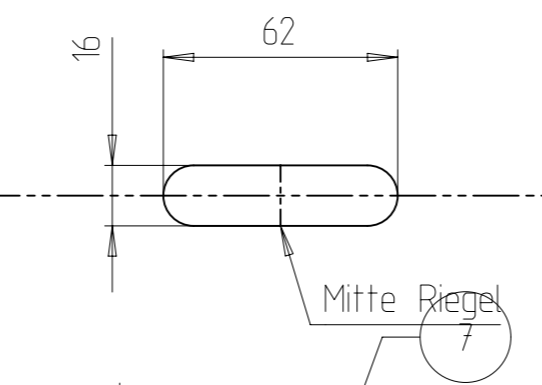
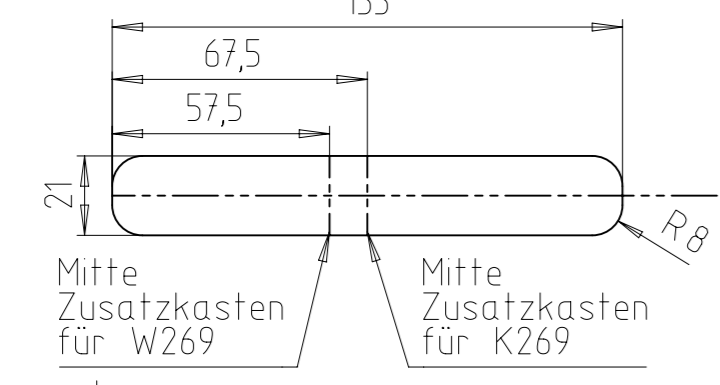
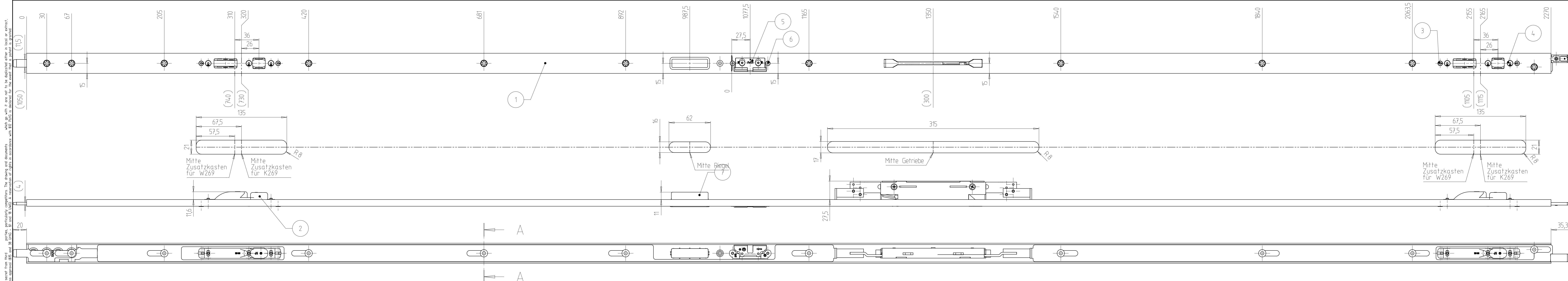


The Drawing and its contents are to be kept secret from third parties, particularly competitors. The drawing and documents which go with it are not to be duplicated either in local or extract, or used in other documents without express approval. ISO and 3D CAD software are reserved. A reservation of rights in accordance with §12 PatG is granted for the event that a patent is granted.



Frästiefe = angegebene Tiefe + min 1 mm
 Fräser \varnothing 16 mm
 Anlaufing \varnothing 27 mm

wie gezeichnet DIN links
 spiegelbildlich DIN rechts

Tolerierung nach ISO 8015

Senkausführung siehe WN-0001

Pos. 3 in Pos. 2 eingelegt
 Pos. 1 und 2 mit Pos. 4 verschraubt
 Pos. 1 und 5 mit Pos. 6 verschraubt
 Pos. 7 in Pos. 1 geklipst

7	Hinterfuetterung	1	9.806.00080	000	
6	Torx - Schraube M4x6	2	9.741.14.817	000	
5	AT-Stueck kpl.	1	7.803.16209	000	
4	Senkschraube DIN 7991-M4x12	6	9.999.03359	000	
3	Rd...Excenter	4	9.714.00090	000	
2	Schliesskasten komplett	2	7.880.00052	000	
1	Stulpflügelbeschlag	1	7.883.27481	000	

Qty.	Type of Modification	Zeichnung angepasst	ANT	Drawn	Approved	Date
1			EK1-1905701	M. M.-Bachem	P. Thode	19.03.2021
Volume /mm³	Weight/g	Material-No.	Item-No.	Tool-No.		
370235	2877,300		SFB B590-230E8QH K269			
Scale	Tolerance	Part-Description				
1 : 2	ISO 2768 mK	Stulpflügelbeschlag				
Drawn	Date	Document No.	Doc. Part No.	Revision	Status	
M. Müller-Bachem	01.03.2019	7.883.25562	000	02	15	
Appr.	Date	Replacement for :	Test procedure	Size		
S. Baumeister	13.03.2020	Replaced by :		U		

