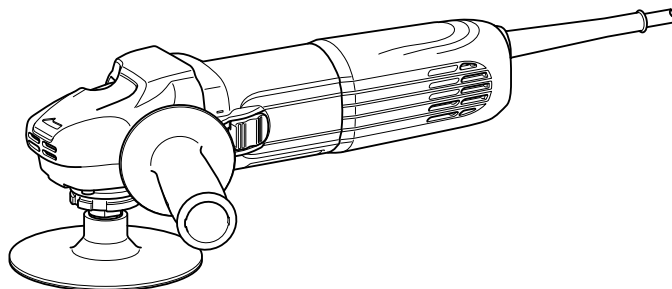
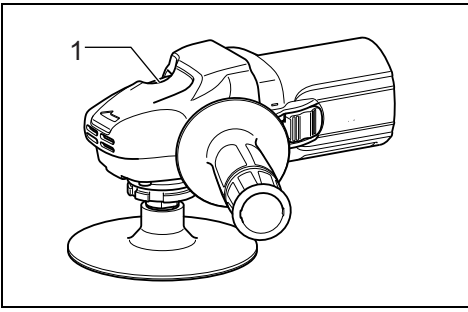




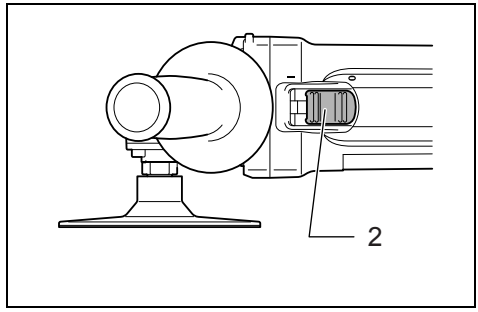
GB	Angle Sander	Instruction Manual
F	Ponceuse	Manuel d'instructions
D	Rotationsschleifer	Betriebsanleitung
I	Levigatrice angolare	Istruzioni per l'uso
NL	Haakse schuurmachine	Gebruiksaanwijzing
E	Pulidora Angular	Manual de instrucciones
P	Lixadeira Angular	Manual de instruções
DK	Vinkelpolerer	Brugsanvisning
GR	Γωνιακός λειαντής	Οδηγίες χρήσεως
TR	Açılı Zımparalama	Kullanma kılavuzu

SA5040C

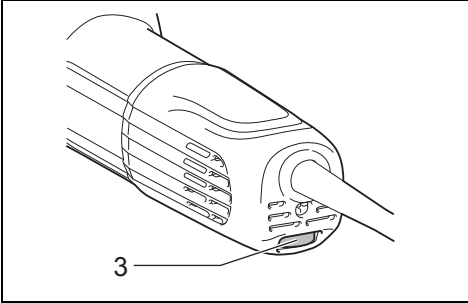




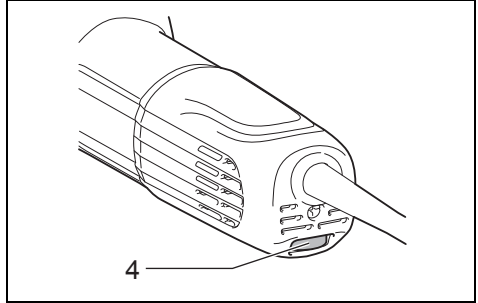
1 012943



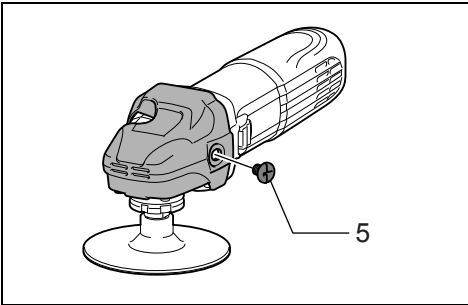
2 012944



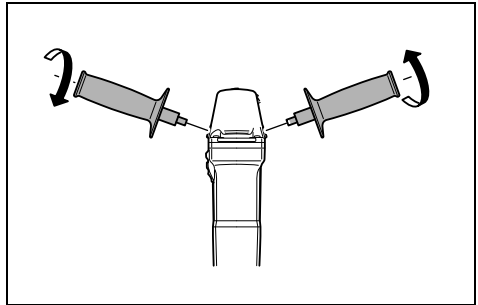
3 012729



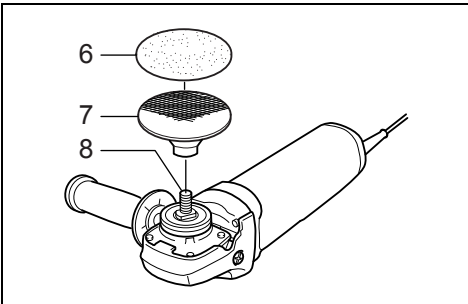
4 012747



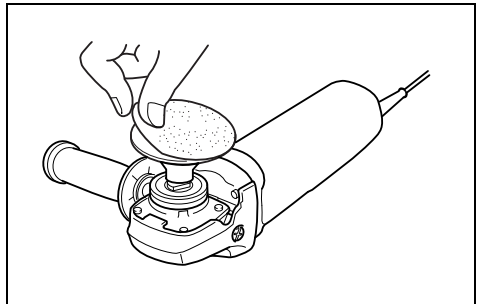
5 012908



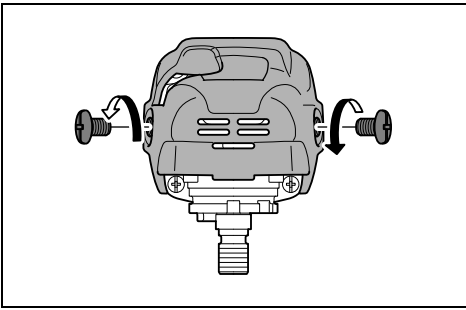
6 012911



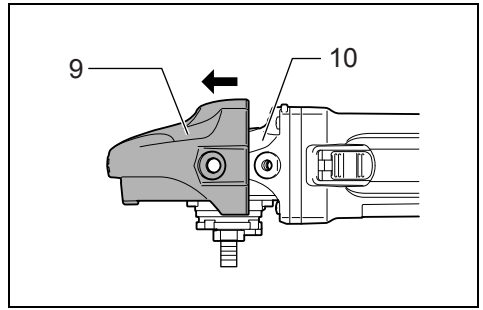
7 012909



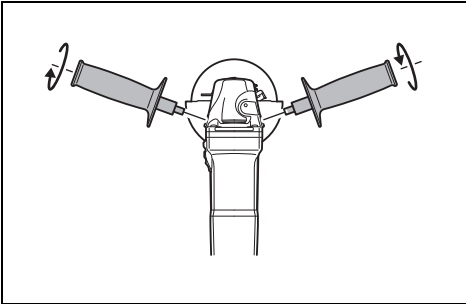
8 012910



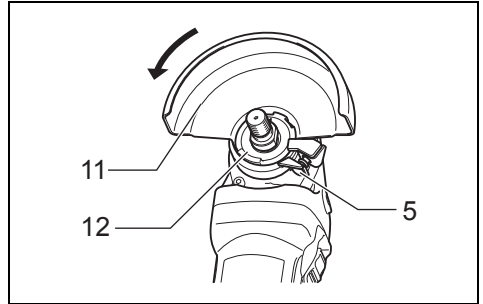
9 012906



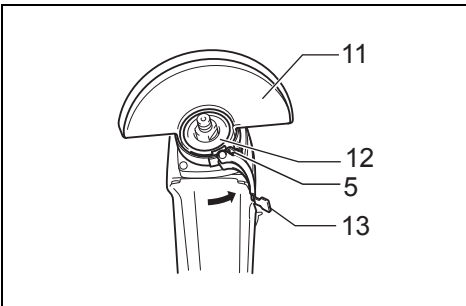
10 012907



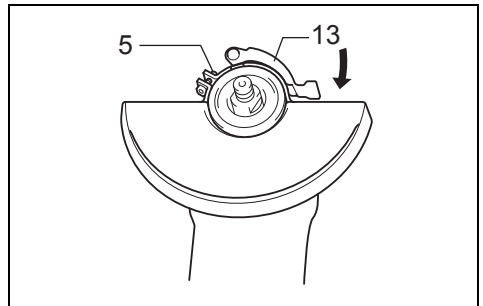
11 012724



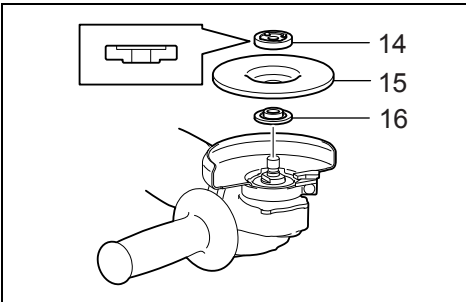
12 012733



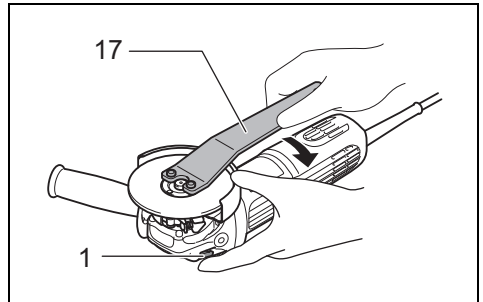
13 009430



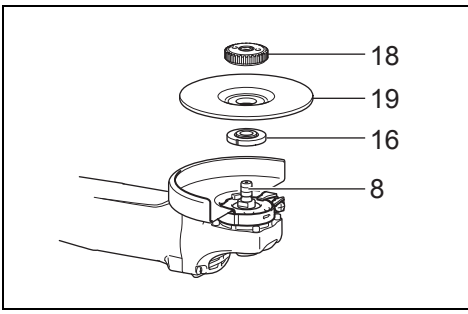
14 009431



15 012988

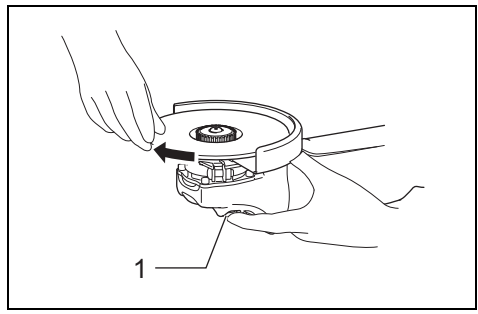


16 012727



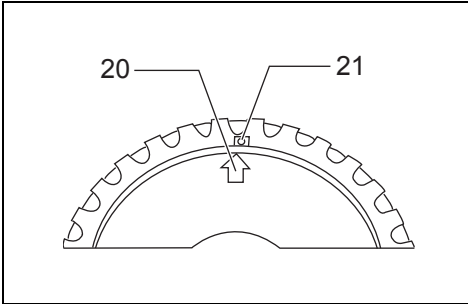
17

012772



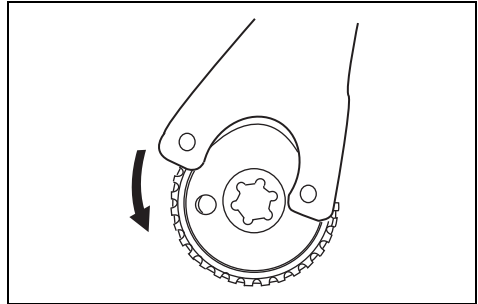
18

012773



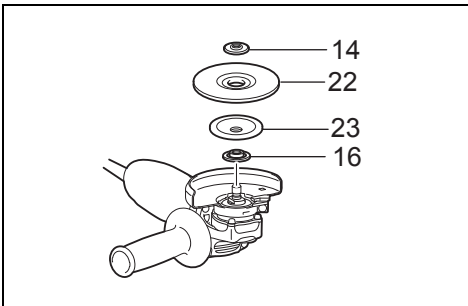
19

010846



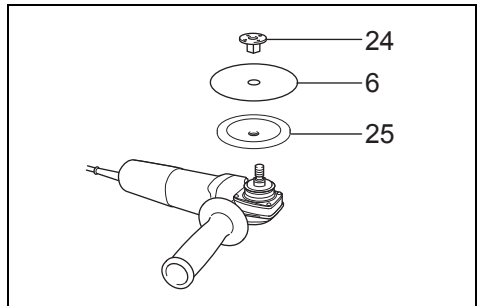
20

010863



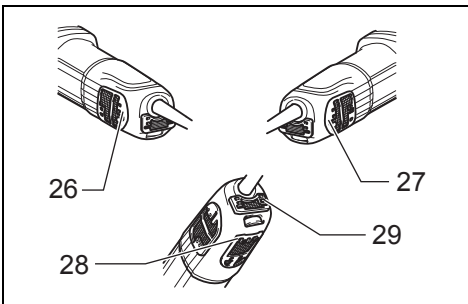
21

012740



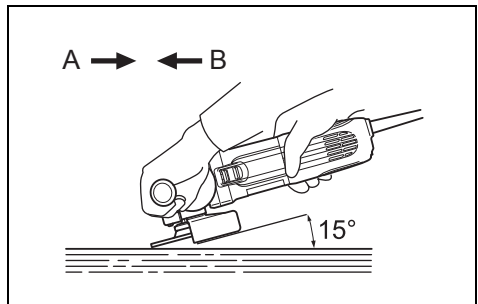
22

012742



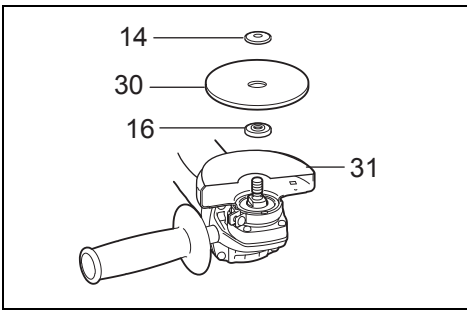
23

012731



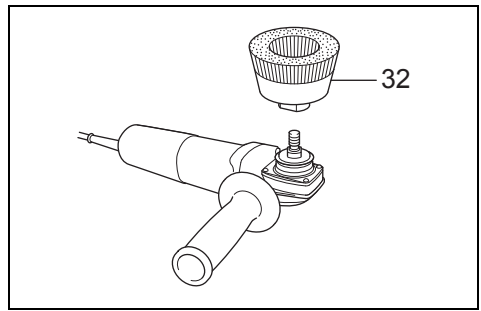
24

012730



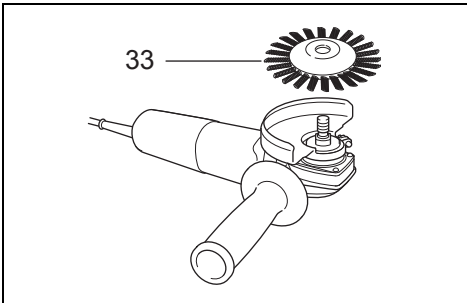
25

010855



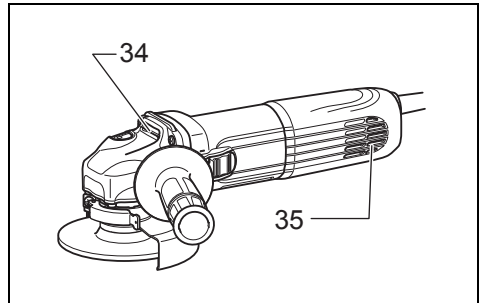
26

012743



27

012744



28

012732

Explanation of general view

1 Shaft lock	13 Lever	26 Marking A
2 Slide switch	14 Lock nut	27 Marking B
3 Indication lamp (speed adjusting dial)	15 Depressed center wheel	28 Marking C
4 Speed adjusting dial	16 Inner flange	29 Marking D
5 Screw	17 Lock nut wrench	30 Abrasive cut-off wheel/diamond wheel
6 Abrasive disc	18 Ezynut	31 Wheel guard for abrasive cut-off wheel/diamond wheel
7 Pad	19 Abrasive wheel	32 Wire cup brush
8 Spindle	20 Arrow	33 Wire wheel brush
9 Head cover	21 Notch	34 Exhaust vent
10 Gear housing	22 Flex wheel	35 Inhalation vent
11 Wheel guard	23 Plastic pad	
12 Bearing box	24 Sanding lock nut	
	25 Rubber pad	

SPECIFICATIONS

Model	SA5040C
Abrasive disc diameter	125 mm
Wheel diameter	115 mm or 125 mm (Depending on the optional wheel guard)
Max. wheel thickness	6.4 mm
Spindle thread	M14
Rated speed (n) / No load speed (n ₀)	7,800 min ⁻¹
Overall length	315 mm
Net weight	2.2 kg
Safety class	II/III

- Due to our continuing program of research and development, the specifications herein are subject to change without notice.
- Specifications may differ from country to country.
- Weight according to EPTA-Procedure 01/2003

GEB097-3

ENE094-1

Intended use

The tool is intended for grinding, sanding and cutting of metal and stone materials without the use of water. For grinding and cutting-off, the correct wheel guards must be mounted.

ENF002-2

Power supply

The tool should be connected only to a power supply of the same voltage as indicated on the nameplate, and can only be operated on single-phase AC supply. They are double-insulated and can, therefore, also be used from sockets without earth wire.

GEA010-1

General Power Tool Safety Warnings

⚠ WARNING Read all safety warnings and all instructions. Failure to follow the warnings and instructions may result in electric shock, fire and/or serious injury.

Save all warnings and instructions for future reference.

SANDER/GRINDER SAFETY WARNINGS

Safety Warnings Common for Grinding, Sanding, Wire Brushing, or Abrasive Cutting-Off Operations:

- 1. This power tool is intended to function as a grinder, sander, wire brush or cut-off tool. Read all safety warnings, instructions, illustrations and specifications provided with this power tool.** Failure to follow all instructions listed below may result in electric shock, fire and/or serious injury.
- 2. Operations such as polishing are not recommended to be performed with this power tool.** Operations for which the power tool was not designed may create a hazard and cause personal injury.
- 3. Do not use accessories which are not specifically designed and recommended by the tool manufacturer.** Just because the accessory can be attached to your power tool, it does not assure safe operation.
- 4. The rated speed of the accessory must be at least equal to the maximum speed marked on the power tool.** Accessories running faster than their rated speed can break and fly apart.
- 5. The outside diameter and the thickness of your accessory must be within the capacity rating of your power tool.** Incorrectly sized accessories cannot be adequately guarded or controlled.

6. **Threaded mounting of accessories must match the grinder spindle thread. For accessories mounted by flanges, the arbour hole of the accessory must fit the locating diameter of the flange.** Accessories that do not match the mounting hardware of the power tool will run out of balance, vibrate excessively and may cause loss of control.
7. **Do not use a damaged accessory. Before each use inspect the accessory such as abrasive wheels for chips and cracks, backing pad for cracks, tear or excess wear, wire brush for loose or cracked wires. If power tool or accessory is dropped, inspect for damage or install an undamaged accessory. After inspecting and installing an accessory, position yourself and bystanders away from the plane of the rotating accessory and run the power tool at maximum no-load speed for one minute.** Damaged accessories will normally break apart during this test time.
8. **Wear personal protective equipment. Depending on application, use face shield, safety goggles or safety glasses. As appropriate, wear dust mask, hearing protectors, gloves and workshop apron capable of stopping small abrasive or workpiece fragments.** The eye protection must be capable of stopping flying debris generated by various operations. The dust mask or respirator must be capable of filtering particles generated by your operation. Prolonged exposure to high intensity noise may cause hearing loss.
9. **Keep bystanders a safe distance away from work area. Anyone entering the work area must wear personal protective equipment.** Fragments of workpiece or of a broken accessory may fly away and cause injury beyond immediate area of operation.
10. **Hold the power tool by insulated gripping surfaces only, when performing an operation where the cutting accessory may contact hidden wiring or its own cord.** Cutting accessory contacting a "live" wire may make exposed metal parts of the power tool "live" and could give the operator an electric shock.
11. **Position the cord clear of the spinning accessory.** If you lose control, the cord may be cut or snagged and your hand or arm may be pulled into the spinning accessory.
12. **Never lay the power tool down until the accessory has come to a complete stop.** The spinning accessory may grab the surface and pull the power tool out of your control.
13. **Do not run the power tool while carrying it at your side.** Accidental contact with the spinning accessory could snag your clothing, pulling the accessory into your body.
14. **Regularly clean the power tool's air vents.** The motor's fan will draw the dust inside the housing and excessive accumulation of powdered metal may cause electrical hazards.
15. **Do not operate the power tool near flammable materials.** Sparks could ignite these materials.
16. **Do not use accessories that require liquid coolants.** Using water or other liquid coolants may result in electrocution or shock.

Kickback and Related Warnings

Kickback is a sudden reaction to a pinched or snagged rotating wheel, backing pad, brush or any other accessory. Pinching or snagging causes rapid stalling of the rotating accessory which in turn causes the uncontrolled power tool to be forced in the direction opposite of the accessory's rotation at the point of the binding.

For example, if an abrasive wheel is snagged or pinched by the workpiece, the edge of the wheel that is entering into the pinch point can dig into the surface of the material causing the wheel to climb out or kick out. The wheel may either jump toward or away from the operator, depending on direction of the wheel's movement at the point of pinching. Abrasive wheels may also break under these conditions.

Kickback is the result of power tool misuse and/or incorrect operating procedures or conditions and can be avoided by taking proper precautions as given below.

- a) **Maintain a firm grip on the power tool and position your body and arm to allow you to resist kickback forces. Always use auxiliary handle, if provided, for maximum control over kickback or torque reaction during start-up.** The operator can control torque reactions or kickback forces, if proper precautions are taken.
- b) **Never place your hand near the rotating accessory.** Accessory may kickback over your hand.
- c) **Do not position your body in the area where power tool will move if kickback occurs.** Kickback will propel the tool in direction opposite to the wheel's movement at the point of snagging.
- d) **Use special care when working corners, sharp edges etc. Avoid bouncing and snagging the accessory.** Corners, sharp edges or bouncing have a tendency to snag the rotating accessory and cause loss of control or kickback.
- e) **Do not attach a saw chain woodcarving blade or toothed saw blade.** Such blades create frequent kickback and loss of control.

Safety Warnings Specific for Grinding and Abrasive Cutting-Off Operations:

- a) **Use only wheel types that are recommended for your power tool and the specific guard designed for the selected wheel.** Wheels for which the power tool was not designed cannot be adequately guarded and are unsafe.
- b) **The grinding surface of centre depressed wheels must be mounted below the plane of the guard lip.** An improperly mounted wheel that projects through the plane of the guard lip cannot be adequately protected.
- c) **The guard must be securely attached to the power tool and positioned for maximum safety, so the least amount of wheel is exposed towards the operator.** The guard helps to protect the operator from broken wheel fragments, accidental contact with wheel and sparks that could ignite clothing.
- d) **Wheels must be used only for recommended applications. For example: do not grind with the side of cut-off wheel.** Abrasive cut-off wheels are intended for peripheral grinding, side forces applied to these wheels may cause them to shatter.

- e) **Always use undamaged wheel flanges that are of correct size and shape for your selected wheel.** Proper wheel flanges support the wheel thus reducing the possibility of wheel breakage. Flanges for cut-off wheels may be different from grinding wheel flanges.
- f) **Do not use worn down wheels from larger power tools.** Wheel intended for larger power tool is not suitable for the higher speed of a smaller tool and may burst.
- b) **If the use of a guard is recommended for wire brushing, do not allow interference of the wire wheel or brush with the guard.** Wire wheel or brush may expand in diameter due to work load and centrifugal forces.

Additional safety warnings:

17. **When using depressed centre grinding wheels, be sure to use only fiberglass-reinforced wheels.**
18. **NEVER USE Stone Cup type wheels with this grinder.** This grinder is not designed for these types of wheels and the use of such a product may result in serious personal injury.
19. **Be careful not to damage the spindle, the flange (especially the installing surface) or the lock nut. Damage to these parts could result in wheel breakage.**
20. **Make sure the wheel is not contacting the workpiece before the switch is turned on.**
21. **Before using the tool on an actual workpiece, let it run for a while. Watch for vibration or wobbling that could indicate poor installation or a poorly balanced wheel.**
22. **Use the specified surface of the wheel to perform the grinding.**
23. **Do not leave the tool running. Operate the tool only when hand-held.**
24. **Do not touch the workpiece immediately after operation; it may be extremely hot and could burn your skin.**
25. **Observe the instructions of the manufacturer for correct mounting and use of wheels. Handle and store wheels with care.**
26. **Do not use separate reducing bushings or adaptors to adapt large hole abrasive wheels.**
27. **Use only flanges specified for this tool.**
28. **For tools intended to be fitted with threaded hole wheel, ensure that the thread in the wheel is long enough to accept the spindle length.**
29. **Check that the workpiece is properly supported.**
30. **Pay attention that the wheel continues to rotate after the tool is switched off.**
31. **If working place is extremely hot and humid, or badly polluted by conductive dust, use a short-circuit breaker (30 mA) to assure operator safety.**
32. **Do not use the tool on any materials containing asbestos.**
33. **When use cut-off wheel, always work with the dust collecting wheel guard required by domestic regulation.**
34. **Cutting discs must not be subjected to any lateral pressure.**
35. **Do not use cloth work gloves during operation.** Fibers from cloth gloves may enter the tool, which causes tool breakage.

SAVE THESE INSTRUCTIONS.

⚠ WARNING:

DO NOT let comfort or familiarity with product (gained from repeated use) replace strict adherence to safety rules for the subject product. **MISUSE** or failure to follow the safety rules stated in this instruction manual may cause serious personal injury.

FUNCTIONAL DESCRIPTION

⚠ CAUTION:

- Always be sure that the tool is switched off and unplugged before adjusting or checking function on the tool.

Additional Safety Warnings Specific for Abrasive Cutting-Off Operations:

- a) **Do not “jam” the cut-off wheel or apply excessive pressure. Do not attempt to make an excessive depth of cut.** Overstressing the wheel increases the loading and susceptibility to twisting or binding of the wheel in the cut and the possibility of kickback or wheel breakage.
- b) **Do not position your body in line with and behind the rotating wheel.** When the wheel, at the point of operation, is moving away from your body, the possible kickback may propel the spinning wheel and the power tool directly at you.
- c) **When wheel is binding or when interrupting a cut for any reason, switch off the power tool and hold the power tool motionless until the wheel comes to a complete stop. Never attempt to remove the cut-off wheel from the cut while the wheel is in motion otherwise kickback may occur.** Investigate and take corrective action to eliminate the cause of wheel binding
- d) **Do not restart the cutting operation in the workpiece. Let the wheel reach full speed and carefully re-enter the cut.** The wheel may bind, walk up or kickback if the power tool is restarted in the workpiece.
- e) **Support panels or any oversized workpiece to minimize the risk of wheel pinching and kickback.** Large workpieces tend to sag under their own weight. Supports must be placed under the workpiece near the line of cut and near the edge of the workpiece on both sides of the wheel.
- f) **Use extra caution when making a “pocket cut” into existing walls or other blind areas.** The protruding wheel may cut gas or water pipes, electrical wiring or objects that can cause kickback.

Safety Warnings Specific for Sanding Operations:

- a) **Do not use excessively oversized sanding disc paper. Follow manufacturers recommendations, when selecting sanding paper.** Larger sanding paper extending beyond the sanding pad presents a laceration hazard and may cause snagging, tearing of the disc or kickback.

Safety Warnings Specific for Wire Brushing Operations:

- a) **Be aware that wire bristles are thrown by the brush even during ordinary operation. Do not overstress the wires by applying excessive load to the brush.** The wire bristles can easily penetrate light clothing and/or skin.

Shaft lock (Fig. 1)

CAUTION:

- Never actuate the shaft lock when the spindle is moving. The tool may be damaged.

Press the shaft lock to prevent spindle rotation when installing or removing accessories.

Switch action (Fig. 2)

CAUTION:

- Before plugging in the tool, always check to see that the slide switch actuates properly and returns to the "OFF" position when the rear of the slide switch is depressed.
- Switch can be locked in "ON" position for ease of operator comfort during extended use. Apply caution when locking tool in "ON" position and maintain firm grasp on tool.

To start the tool, slide the slide switch toward the "I (ON)" position by pushing the rear of the slide switch. For continuous operation, press the front of the slide switch to lock it.

To stop the tool, press the rear of the slide switch, then slide it toward the "O (OFF)" position.

Indication lamp (Fig. 3)

The indication lamp lights up green when the tool is plugged. If the indication lamp does not light up, the mains cord or the controller may be defective. The indication lamp is lit but the tool does not start even if the tool is switched on, the carbon brushes may be worn out, or the controller, the motor or the ON/OFF switch may be defective.

Unintentional restart proof

The tool does not start with the switch being lock-on even when the tool is plugged.

At this time, the indication lamp flickers red and shows the unintentional restart proof device is on function.

To cancel the unintentional restart proof, return the slide switch to "O (OFF)" position.

Speed adjusting dial (Fig. 4)

The rotating speed can be changed by turning the speed adjusting dial to a given number setting from 1 to 5.

Higher speed is obtained when the dial is turned in the direction of number 5. And lower speed is obtained when it is turned in the direction of number 1.

Refer to the below table for the relationship between the number settings on the dial and the approximate rotating speed.

Number	min ⁻¹ (R.P.M.)
1	2,000
2	3,000
3	4,000
4	5,500
5	7,800

012757

CAUTION:

- If the tool is operated continuously at low speeds for a long time, the motor will get overloaded and heated up.
- The speed adjusting dial can be turned only as far as 5 and back to 1. Do not force it past 5 or 1, or the speed adjusting function may no longer work.

Electronic function

The tools equipped with electronic function are easy to operate because of the following features.

Constant speed control

Constant speed control provides fine finish by keeping the rotating speed constant under the loaded condition.

Soft start feature

Soft start feature suppresses starting shock.

Overload protector

When the load on the tool exceeds admissible levels, power to the motor is reduced to protect the motor from overheating. When the load returns to admissible levels, the tool will operate as normal.

ASSEMBLY

CAUTION:

- Always be sure that the tool is switched off and unplugged before carrying out any work on the tool.

Installing side grip (handle) (Fig. 5 & 6)

CAUTION:

- Always be sure that the side grip is installed securely before operation.

Remove one of the screws which secure the head cover. Then, screw the side grip into the screw hole.

Installing pad and abrasive disc (Fig. 7 & 8)

Remove all dirt or foreign matter from the pad.

Screw the pad onto the spindle with pressing the shaft lock.

Attach the abrasive disc on the center of the pad. Pay attention that the pad is placed inside of the edge of the abrasive disc.

To remove the abrasive disc, peel off its edge from the pad.

WHEN USING AS A GRINDER (Fig. 9, 10 & 11)

When using the tool as a grinder, remove the head cover and install the side grip and an optional wheel guard.

Loosen the screws and remove the head cover.

Screw the side grip securely on the position of the tool as shown in the figure.

CAUTION:

- Always be sure that the side grip is installed securely before operation.

Installing or removing wheel guard (For depressed center wheel, flap disc, flex wheel, wire wheel brush / abrasive cut-off wheel, diamond wheel) (optional accessory) (Fig. 12, 13 & 14)

WARNING:

- When using a depressed center wheel, flap disc, flex wheel or wire wheel brush, the wheel guard must be fitted on the tool so that the closed side of the guard always points toward the operator.
- When using an abrasive cut-off / diamond wheel, be sure to use only the special wheel guard designed for use with cut-off wheels. (In some European countries, when using a diamond wheel, the ordinary guard can be used. Follow the regulations in your country.)

For tool with locking screw type wheel guard

Mount the wheel guard with the protrusions on the wheel guard band aligned with the notches on the bearing box. Then rotate the wheel guard around 180° counterclockwise. Be sure to tighten the screw securely. To remove wheel guard, follow the installation procedure in reverse.

For tool with clamp lever type wheel guard

Pull the lever in the direction of the arrow after loosening the screw. Mount the wheel guard with the protrusions on the wheel guard band aligned with the notches on the bearing box. Then rotate the wheel guard around 180°.

Tighten the wheel guard with fastening the screw after pulling lever in the direction of the arrow. The setting angle of the wheel guard can be adjusted with the lever. To remove wheel guard, follow the installation procedure in reverse.

Installing or removing depressed center wheel or flap disc (optional accessory) (Fig. 15 & 16)

⚠ WARNING:

- When using a depressed center wheel or flap disc, the wheel guard must be fitted on the tool so that the closed side of the guard always points toward the operator.

Mount the inner flange onto the spindle. Fit the wheel/disc on the inner flange and screw the lock nut onto the spindle.

To tighten the lock nut, press the shaft lock firmly so that the spindle cannot revolve, then use the lock nut wrench and securely tighten clockwise.

To remove the wheel, follow the installation procedure in reverse.

Super flange (optional accessory)

Models with the letter F are standard-equipped with Super flange. Only 1/3 of efforts needed to undo lock nut, compared with conventional type.

⚠ CAUTION:

- Do not use super flange for models equipped with the mechanical brake. Otherwise it may loosen when the brake is activated.

Installing or removing Ezynut (optional accessory) (Fig. 17, 18, 19 & 20)

⚠ CAUTION:

- Do not use Ezynut with Super Flange or angle grinder with "F" on the end of the model No. Those flanges are so thick that the entire thread cannot be retained by the spindle.

Mount inner flange, abrasive wheel and Ezynut onto the spindle so that Makita Logo on Ezynut faces outside.

Press shaft lock firmly and tighten Ezynut by turning the abrasive wheel clockwise as far as it turns.

Turn the outside ring of Ezynut counterclockwise to loosen.

NOTE:

- Ezynut can be loosened by hand as long as the arrow points the notch. Otherwise a lock nut wrench is required to loosen it. Insert one pin of the wrench into a hole and turn Ezynut counterclockwise.

Installing or removing flex wheel (optional accessory) (Fig. 21)

⚠ WARNING:

- Always use supplied guard when flex wheel is on tool. Wheel can shatter during use and guard helps to reduce chances of personal injury.

Follow instructions for depressed center wheel but also use plastic pad over wheel. See order of assembly on accessories page in this manual.

Installing or removing abrasive disc (optional accessory) (Fig. 22)

NOTE:

- Use sander accessories specified in this manual. These must be purchased separately.

Mount the rubber pad onto the spindle. Fit the disc on the rubber pad and screw the sanding lock nut onto the spindle. To tighten the sanding lock nut, press the shaft lock firmly so that the spindle cannot revolve, then use the lock nut wrench and securely tighten clockwise. To remove the disc, follow the installation procedure in reverse.

Installing or removing dust cover attachment (optional accessory) (Fig. 23)

⚠ WARNING:

- **Always be sure that the tool is switched off and unplugged before installing or removing the dust cover attachment.** Failure to do so causes damage to the tool or a personal injury.

There are four pieces of dust cover attachment and each is used in one of different positions.

Set the dust cover attachment so that the marking (A, B, C or D) places as shown. Snap its pins in the vents. Dust cover attachment can be removed by hand.

NOTE:

- Clean out the dust cover attachment when it is clogged with dust or foreign matters. Continuing operation with a clogged dust cover attachment will damage the tool.

OPERATION

⚠ WARNING:

- It should never be necessary to force the tool. The weight of the tool applies adequate pressure. Forcing and excessive pressure could cause dangerous wheel breakage.
- ALWAYS replace wheel if tool is dropped while grinding.
- NEVER bang or hit grinding disc or wheel onto work.
- Avoid bouncing and snagging the wheel, especially when working corners, sharp edges etc. This can cause loss of control and kickback.
- NEVER use tool with wood cutting blades and other saw blades. Such blades when used on a grinder frequently kick and cause loss of control leading to personal injury.

⚠ CAUTION:

- Never switch on the tool when it is in contact with the workpiece, it may cause an injury to operator.
- Always wear safety goggles or a face shield during operation.
- After operation, always switch off the tool and wait until the wheel has come to a complete stop before putting the tool down.

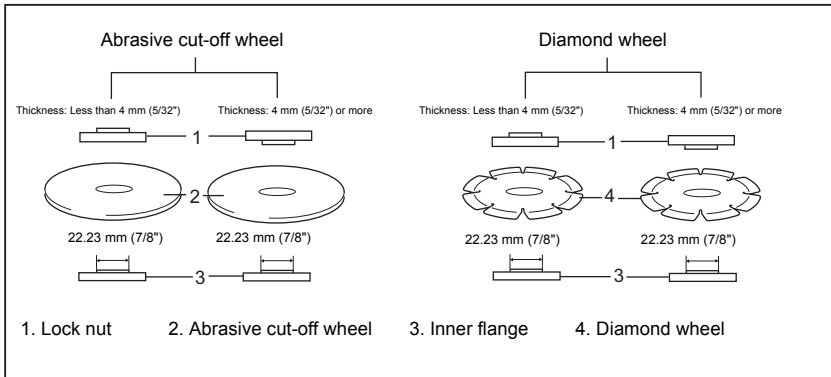
Grinding and sanding operation (Fig. 24)

ALWAYS hold the tool firmly with one hand on housing and the other on the side handle. Do not touch the metal parts. Turn the tool on and then apply the wheel or disc to the workpiece.

In general, keep the edge of the wheel or disc at an angle of about 15° to the workpiece surface.

During the break-in period with a new wheel, do not work the grinder in the B direction or it will cut into the workpiece. Once the edge of the wheel has been rounded off by use, the wheel may be worked in both A and B direction.

Refer to the table below.



011644

⚠ WARNING:

- When using an abrasive cut-off / diamond wheel, be sure to use only the special wheel guard designed for use with cut-off wheels. (In some European countries, when using a diamond wheel, the ordinary guard can be used. Follow the regulations in your country.)
- NEVER use cut-off wheel for side grinding.
- Do not "jam" the wheel or apply excessive pressure. Do not attempt to make an excessive depth of cut. Overstressing the wheel increases the loading and susceptibility to twisting or binding of the wheel in the cut and the possibility of kickback, wheel breakage and overheating of the motor may occur.
- Do not start the cutting operation in the workpiece. Let the wheel reach full speed and carefully enter into the cut moving the tool forward over the workpiece surface. The wheel may bind, walk up or kickback if the power tool is started in the workpiece.
- During cutting operations, never change the angle of the wheel. Placing side pressure on the cut-off wheel (as in grinding) will cause the wheel to crack and break, causing serious personal injury.
- A diamond wheel shall be operated perpendicular to the material being cut.

Operation with wire cup brush (optional accessory) (Fig. 26)

⚠ CAUTION:

- Check operation of brush by running tool with no load, insuring that no one is in front of or in line with brush.
- Do not use brush that is damaged, or which is out of balance. Use of damaged brush could increase potential for injury from contact with broken brush wires.

Operation with abrasive cut-off / diamond wheel (optional accessory) (Fig. 25)

The direction for mounting the lock nut and the inner flange varies by wheel thickness.

Unplug tool and place it upside down allowing easy access to spindle. Remove any accessories on spindle. Thread wire cup brush onto spindle and tighten with supplied wrench. When using brush, avoid applying too much pressure which causes over bending of wires, leading to premature breakage.

Operation with wire wheel brush (optional accessory) (Fig. 27)

⚠ CAUTION:

- Check operation of wire wheel brush by running tool with no load, insuring that no one is in front of or in line with the wire wheel brush.
- Do not use wire wheel brush that is damaged, or which is out of balance. Use of damaged wire wheel brush could increase potential for injury from contact with broken wires.
- ALWAYS use guard with wire wheel brushes, assuring diameter of wheel fits inside guard. Wheel can shatter during use and guard helps to reduce chances of personal injury.

Unplug tool and place it upside down allowing easy access to spindle. Remove any accessories on spindle. Thread wire wheel brush onto spindle and tighten with the wrenches.

When using wire wheel brush, avoid applying too much pressure which causes over bending of wires, leading to premature breakage.

MAINTENANCE

CAUTION:

- Always be sure that the tool is switched off and unplugged before attempting to perform inspection or maintenance.
- Never use gasoline, benzene, thinner, alcohol or the like. Discoloration, deformation or cracks may result.

The tool and its air vents have to be kept clean. Regularly clean the tool's air vents or whenever the vents start to become obstructed. **(Fig. 28)**

To maintain product SAFETY and RELIABILITY, repairs, carbon brush inspection and replacement, any other maintenance or adjustment should be performed by Makita Authorized Service Centers, always using Makita replacement parts.

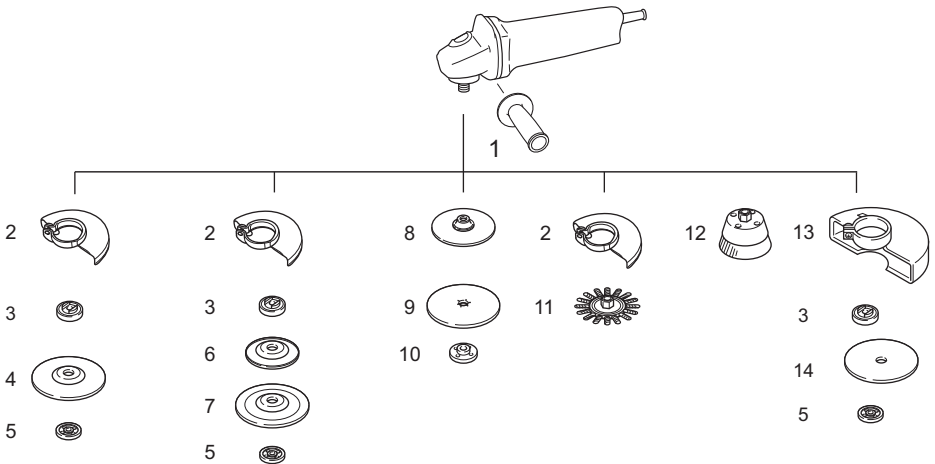
OPTIONAL ACCESSORIES

CAUTION:

- These accessories or attachments are recommended for use with your Makita tool specified in this manual. The use of any other accessories or attachments might present a risk of injury to persons. Only use accessory or attachment for its stated purpose.

If you need any assistance for more details regarding these accessories, ask your local Makita Service Center.

- Abrasive disc
- Dust cover attachment



	115 mm (4-1/2") model	125 mm (5") model
1	Grip 36	
2	Wheel Guard (for grinding wheel)	
3	Inner flange 42 Super flange 47 *1	
4	Depressed center wheel/Flap disc	
5	Lock nut 14-45 Ezy nut *2	
6	Plastic pad	
7	Flex wheel	
8	Rubber pad 100	Rubber pad 115
9	Abrasive disc	
10	Sanding lock nut 14-48	
11	Wire wheel brush	
12	Wire cup brush	
13	Wheel Guard (for cut-off wheel) *3	
14	Abrasive cut-off wheel/Diamond wheel	
-	Lock nut wrench 35	

Note:

*1 Do not use Super flange with a grinder equipped with a brake function.

*2 Do not use Super flange and Ezynut together.

*3 In some European countries, when using a diamond wheel, the ordinary guard can be used instead of the special guard covering the both side of the wheel. Follow the regulations in your country.

012987

NOTE:

- Some items in the list may be included in the tool package as standard accessories. They may differ from country to country.

Noise

The typical A-weighted noise level determined according to EN60745:

Sound pressure level (L_{pA}): 84 dB (A)

Sound power level (L_{WA}): 95 dB (A)

Uncertainty (K): 3 dB (A)

Wear ear protection

ENG900-1

Vibration

The vibration total value (tri-axial vector sum) determined according to EN60745:

Work mode: disc sanding with anti vibration side grip

Vibration emission ($a_{h,DS}$): 2.5 m/s² or less

Uncertainty (K): 1.5 m/s²

Work mode: disc sanding with normal side grip

Vibration emission ($a_{h,DS}$): 2.5 m/s² or less

Uncertainty (K): 1.5 m/s²

Work mode: surface grinding with anti vibration side grip

Vibration emission ($a_{h,AG}$): 4.0 m/s²

Uncertainty (K): 1.5 m/s²

Work mode: surface grinding with normal side grip

Vibration emission ($a_{h,AG}$): 5.0 m/s²

Uncertainty (K): 1.5 m/s²

ENG902-1

- The declared vibration emission value has been measured in accordance with the standard test method and may be used for comparing one tool with another.
- The declared vibration emission value may also be used in a preliminary assessment of exposure.
- The declared vibration emission value is used for main applications of the power tool. However if the power tool is used for other applications, the vibration emission value may be different.

⚠ WARNING:

- The vibration emission during actual use of the power tool can differ from the declared emission value depending on the ways in which the tool is used.
- Be sure to identify safety measures to protect the operator that are based on an estimation of exposure in the actual conditions of use (taking account of all parts of the operating cycle such as the times when the tool is switched off and when it is running idle in addition to the trigger time).

For European countries only**EC Declaration of Conformity****Makita declares that the following Machine(s):**

Designation of Machine:

Angle Sander

Model No./ Type: SA5040C

Conforms to the following European Directives:

2006/42/EC

They are manufactured in accordance with the following standard or standardized documents:

EN60745

The technical file in accordance with 2006/42/EC is available from:

Makita, Jan-Baptist Vinkstraat 2, 3070, Belgium

1.2.2016



Yasushi Fukaya

Director

Makita, Jan-Baptist Vinkstraat 2, 3070, Belgium

Descriptif

1 Verrouillage de l'arbre	13 Levier	26 Repère A
2 Interrupteur à glissière	14 Contre-écrou	27 Repère B
3 Témoin indicateur (bague de réglage de la vitesse)	15 Meule à moyeu déporté	28 Repère C
4 Cadran de réglage de la vitesse	16 Flasque intérieur	29 Repère D
5 Vis	17 Clé à contre-écrou	30 Meule à tronçonner abrasive / Meule diamantée
6 Disque abrasif	18 Écrou Ezynut	31 Carter de meule pour meule à tronçonner abrasive / meule diamantée
7 Coussinet	19 Meule abrasive	32 Brosse métallique à coupelle
8 Axe	20 Flèche	33 Brosse métallique circulaire
9 Couvercle supérieur	21 Encoche	34 Orifice de sortie d'air
10 Carter de roulement	22 Meule flexible	35 Orifice d'entrée d'air
11 Carter de meule	23 Coussinet de plastique	
12 Boîtier d'engrenage	24 Contre-écrou de ponçage	
	25 Coussinet de caoutchouc	

SPÉCIFICATIONS

Modèle	SA5040C
Diamètre du disque abrasif	125 mm
Diamètre de meule	115 mm ou 125 mm (En fonction du carter de meule en option)
Épaisseur max. de la meule	6,4 mm
Filetage de l'axe	M14
Vitesse nominale (n) / Vitesse à vide (n ₀)	7 800 min ⁻¹
Longueur totale	315 mm
Poids net	2,2 kg
Catégorie de sécurité	II/III

GEB097-3

- Étant donné l'évolution constante de notre programme de recherche et de développement, les spécifications contenues dans ce manuel sont sujettes à modification sans préavis.
- Les spécifications peuvent varier suivant les pays.
- Poids selon la procédure EPTA 01/2003

ENE094-1

Utilisation prévue

L'outil est conçu pour le meulage, le ponçage et la coupe de matériaux en métal ou en pierre sans utiliser d'eau. Pour le meulage et la coupe, les carters de meule corrects doivent être installés.

ENF002-2

Alimentation

L'outil ne devra être raccordé qu'à une alimentation de la même tension que celle qui figure sur la plaque signalétique, et il ne pourra fonctionner que sur un courant secteur monophasé. Réalisé avec une double isolation, il peut de ce fait être alimenté sans mise à la terre.

GEA010-1

Consignes de sécurité générales pour outils électriques

⚠ AVERTISSEMENT Veuillez lire toutes les mises en garde et toutes les instructions. Il y a un risque de choc électrique, d'incendie et/ou de blessure grave si les mises en garde et les instructions ne sont pas respectées.

Conservez toutes les mises en garde et instructions pour référence ultérieure.

CONSIGNES DE SÉCURITÉ POUR PONCEUSE/MEULEUSE

Consignes de sécurité communes aux travaux de meulage, ponçage, brossage métallique et tronçonnage abrasif :

1. **Cet outil électrique est conçu pour être utilisé en tant que meuleuse, ponceuse, broche métallique ou outil de tronçonnage. Veuillez lire les consignes de sécurité, instructions, illustrations et spécifications qui accompagnent cet outil électrique.** Il y a un risque de choc électrique, d'incendie et/ou de blessure grave si les instructions ci-dessous ne sont pas toutes respectées.
2. **Il est recommandé de ne pas effectuer de travaux de polissage avec cet outil électrique.** Il y a un risque de danger et de blessure si l'outil électrique est utilisé pour exécuter des travaux pour lesquels il n'a pas été conçu.
3. **N'utilisez pas d'accessoires non spécifiquement conçus et recommandés par le fabricant de l'outil.** Même s'il est possible de fixer un accessoire à l'outil électrique, cela ne garantit pas qu'il fonctionnera de manière sûre.
4. **La vitesse nominale de l'accessoire doit être au moins égale à la vitesse maximale indiquée sur l'outil électrique.** Les accessoires utilisés à une vitesse supérieure à leur vitesse nominale peuvent se casser et voler en éclats.

5. **Le diamètre extérieur et l'épaisseur de l'accessoire ne doivent pas dépasser la capacité nominale de l'outil électrique.** La maîtrise et la protection des accessoires de format incorrect ne peuvent être garantis.
 6. **Le filetage des accessoires à monter doit correspondre à celui de l'axe de la meuleuse. Pour les accessoires montés à l'aide de flasques, la taille de l'alésage de l'accessoire doit correspondre au diamètre du flasque.** Les accessoires qui ne sont pas bien adaptés à la taille de la pièce où ils sont montés sur l'outil électrique se déséquilibreront, vibreront trop et pourront entraîner une perte de maîtrise de l'outil.
 7. **N'utilisez jamais un accessoire endommagé. Avant chaque utilisation, assurez-vous que la meule abrasive est exempte de copeaux et fissures, que la semelle n'est pas fissurée, déchirée ou trop usée, ou que la brosse métallique est exempte de fils métalliques lâches ou cassés. Si vous échappez l'outil électrique ou un accessoire, assurez-vous qu'il n'est pas endommagé et remplacez-le en cas de dommage. Après avoir vérifié et installé un accessoire, assurez-vous que personne, y compris vous-même, ne se trouve au même niveau que l'accessoire rotatif, et faites tourner l'outil électrique à vitesse maximale, sans charge, pendant une minute.** Normalement l'accessoire se cassera lors de ce test s'il est endommagé.
 8. **Portez des dispositifs de protection personnelle. Suivant le type de travail à effectuer, utilisez un écran facial, des lunettes étanches ou des lunettes de sécurité. Selon le cas, portez un masque antipoussières, des protecteurs d'oreilles, des gants ou un tablier de travail assurant une protection contre les petits éclats de disque abrasif ou de pièce.** La protection des yeux doit pouvoir arrêter les débris éjectés lors des divers travaux. Le masque antipoussières ou le masque filtrant doit pouvoir filtrer les particules générées lors des travaux. L'exposition prolongée à un bruit d'intensité élevée peut entraîner la surdité.
 9. **Assurez-vous que les curieux demeurent à une distance sûre de la zone de travail. Toute personne pénétrant dans la zone de travail doit porter des dispositifs de protection personnelle.** Des fragments de pièce ou un accessoire cassé peuvent être éjectés et blesser les personnes présentes dans la zone de travail.
 10. **Saisissez l'outil électrique uniquement par ses surfaces de poigne isolées lorsque vous effectuez des travaux au cours desquels l'accessoire tranchant peut entrer en contact avec des fils cachés ou avec le cordon d'alimentation de l'outil.** Le contact de l'accessoire tranchant avec un fil sous tension peut également mettre sous tension les parties métalliques exposées de l'outil électrique, causant ainsi un choc électrique chez l'utilisateur.
 11. **Placez le cordon à l'écart de l'accessoire tournant.** Si vous perdez la maîtrise de l'outil, vous risquez de couper ou d'accrocher le cordon, et l'accessoire tournant risque de vous happer une main ou un bras.
 12. **Ne déposez jamais l'outil électrique avant que l'accessoire n'ait complètement cessé de tourner.** L'accessoire tournant risquerait d'accrocher la surface et d'entraîner une perte de maîtrise de l'outil électrique.
 13. **Ne laissez pas tourner l'outil électrique lorsque vous le transportez.** L'accessoire tournant risquerait d'entrer accidentellement en contact avec vos vêtements et d'être ensuite attiré vers votre corps.
 14. **Nettoyez régulièrement les orifices de ventilation de l'outil électrique.** Le ventilateur du moteur attire la poussière à l'intérieur du carter et l'accumulation excessive de poudre métallique peut causer un danger électrique.
 15. **N'utilisez pas l'outil électrique près des matériaux inflammables.** Les étincelles peuvent allumer ces matériaux.
 16. **N'utilisez pas d'accessoires pour lesquels l'utilisation d'un liquide de refroidissement est nécessaire.** L'utilisation d'eau ou d'un liquide de refroidissement comporte un risque d'électrocution ou de choc électrique.
- Mises en garde concernant les chocs en retour**
- Le choc en retour est une réaction soudaine qui survient lorsque la meule, la semelle, la brosse ou un autre accessoire en rotation se coince ou accroche. Lorsque l'accessoire en rotation se coince ou accroche, il s'arrête soudainement et l'utilisateur perd alors la maîtrise de l'outil électrique projeté dans le sens contraire de sa rotation au point où il se coince dans la pièce.
- Par exemple, si une meule abrasive accroche ou se coince dans la pièce, son tranchant risque d'y creuser la surface du matériau, avec pour conséquence que la meule remontera ou bondira. La meule risque alors de bondir vers l'utilisateur ou en sens opposé, suivant son sens de déplacement au point où elle se coince dans la pièce. Dans de telles situations, la meule abrasive risque aussi de casser.
- Le choc en retour est le résultat d'une mauvaise utilisation de l'outil électrique et/ou de procédures ou conditions inadéquates de travail. Il peut être évité en prenant les mesures appropriées, tel qu'indiqué ci-dessous.
- a) **Maintenez une poigne ferme sur l'outil électrique, et placez corps et bras de façon à assurer une bonne résistance aux forces de choc en retour. Utilisez toujours la poignée auxiliaire lorsque cette dernière est disponible, pour assurer une maîtrise maximale de l'outil en cas de choc en retour ou de réaction de couple au moment du démarrage.** L'utilisateur peut maîtriser l'effet de la réaction de couple ou du choc en retour s'il prend les précautions nécessaires.
 - b) **Ne placez jamais la main près d'un accessoire en rotation.** L'accessoire risquerait de passer sur la main en cas de choc en retour.
 - c) **Ne vous placez pas dans la zone vers laquelle l'outil électrique se déplacera en cas de choc en retour.** Le choc en retour projettera l'outil dans le sens opposé au mouvement de la meule au point où elle accroche dans la pièce.

- d) **Soyez tout particulièrement prudent lorsque vous travaillez dans les coins, sur des bords tranchants, etc. Évitez de laisser l'accessoire bondir ou accrocher.** L'accessoire en rotation a tendance à accrocher, entraînant une perte de maîtrise ou un choc en retour, au contact des coins et des bords tranchants, ou lorsqu'il bondit.
- e) **Ne fixez pas une lame de tronçonneuse ou une lame dentée.** De telles lames causent fréquemment des chocs en retour et des pertes de maîtrise.
- b) **Ne vous placez pas directement derrière ou devant la meule en rotation.** Lorsque la meule, au point d'opération, s'éloigne de votre corps, un choc en retour peut projeter la meule en rotation et l'outil électrique directement vers vous.
- c) **Lorsque la meule se coince ou lorsque vous interrompez la coupe pour une raison quelconque, mettez l'outil électrique hors tension et gardez-le immobile jusqu'à ce que la meule cesse complètement de tourner. Ne tentez jamais de retirer la meule tronçonneuse de la ligne de coupe alors que la meule tourne encore, car il y a risque de choc en retour.** Identifiez la cause du coincement de la meule et éliminez-la.

Consignes de sécurité spécifiques aux opérations de meulage et de tronçonnage abrasif :

- a) **Utilisez exclusivement les types de meule recommandés pour votre outil électrique, et le carter de meule conçu spécifiquement pour la meule sélectionnée.** L'utilisation de meules non conçues pour l'outil électrique est dangereuse car le carter de meule ne peut pas assurer une protection adéquate.
- b) **La face de meulage des meules à moyeu déporté doit être montée sous le plan de la lèvre du carter de meule.** Si la meule n'est pas bien montée et dépasse le plan de la lèvre du carter de meule, celui-ci ne pourra pas assurer une protection adéquate.
- c) **Le carter de meule doit être solidement fixé à l'outil électrique et placé de façon à assurer une sécurité maximale en ne laissant qu'une partie minimale de la meule exposée du côté de l'utilisateur.** Le carter de meule contribue à protéger l'utilisateur contre les fragments de meule cassée, contre le contact accidentel avec la meule et contre les étincelles qui pourraient enflammer ses vêtements.
- d) **Les meules doivent être utilisées exclusivement pour les applications recommandées. Par exemple : une meule tronçonneuse ne doit pas être utilisée pour le meulage latéral.** Les meules tronçonneuses abrasives étant conçues pour le meulage périphérique, elles risquent de voler en éclats si on leur applique une force latérale.
- e) **Utilisez toujours des flasques de meule en bon état, dont la taille et la forme correspondent à la meule sélectionnée.** Des flasques de meule adéquats soutiennent la meule et réduisent ainsi les risques de rupture de la meule. Les flasques de meule tronçonneuse peuvent être différents des flasques de meule ordinaire.
- f) **N'utilisez pas les meules usées d'outils électriques plus gros.** Une meule conçue pour un outil électrique plus gros ne convient pas à l'utilisation à vitesse plus élevée sur un outil plus petit. Elle risquerait de voler en éclats.
- d) **Ne reprenez pas la coupe en laissant la meule telle quelle dans la pièce. Attendez que la meule ait atteint sa pleine vitesse avant de la réintroduire soigneusement dans la ligne de coupe.** Si vous redémarrez l'outil électrique alors qu'il se trouve encore dans la pièce à travailler, la meule risquera de se coincer, de remonter hors de la ligne de coupe ou de provoquer un choc en retour.
- e) **Soutenez les panneaux ou pièces trop grandes pour minimiser les risques que la meule ne se coince et ne cause un choc en retour.** Les grandes pièces ont tendance à s'affaisser sous leur propre poids. Des supports doivent être installés sous la pièce près de la ligne de coupe et près des bords de la pièce, des deux côtés de la meule.
- f) **Soyez extrêmement prudent lorsque vous effectuez une coupe en cul-de-sac dans un mur ou toute autre surface derrière laquelle peuvent se trouver des objets cachés.** La meule risquerait de couper des tuyaux de gaz ou d'eau, des fils électriques ou des objets pouvant causer un choc en retour.

Consignes de sécurité spécifiques aux travaux de ponçage :

- a) **N'utilisez pas du papier de ponçage de trop grande taille. Suivez les recommandations du fabricant pour choisir le papier de ponçage.** Il y a un risque de laceration si le papier de ponçage dépasse de la semelle, et le disque risque alors d'accrocher, de s'user plus vite ou de provoquer un choc en retour.

Consignes de sécurité spécifiques aux travaux de brossage métallique :

- a) **N'oubliez pas que des fils métalliques se détachent de la brosse même lors des travaux ordinaires. Ne soumettez pas les fils métalliques à une surcharge en appliquant une pression excessive sur la brosse.** Les fils métalliques pénètrent facilement dans les vêtements légers et/ou dans la peau.
- b) **Si l'utilisation d'un carter de meule est recommandée pour le brossage métallique, assurez-vous que la meule ou brosse métallique ne bloque pas le carter de meule.** Selon la charge de travail et l'intensité de la force centrifuge, le diamètre de la meule ou brosse métallique peut augmenter.

Consignes de sécurité supplémentaires et spécifiques aux travaux de tronçonnage abrasif :

- a) **Évitez de "bloquer" la meule tronçonneuse ou de lui appliquer une pression excessive. N'essayez pas de faire une coupe de profondeur excessive.** Il y a un risque de torsion ou de coincement de la meule dans la ligne de coupe si elle est soumise à une surcharge. Elle risque alors d'effectuer un choc en retour ou de casser.

Consignes de sécurité supplémentaires :

17. Lors de l'utilisation des meules à moyeu déporté, assurez-vous d'utiliser exclusivement des meules renforcées de fibre de verre.
18. **NE JAMAIS UTILISER une meule boisseau pour pierre avec cette meuleuse.** Cette meuleuse n'est pas conçue pour ces types de meule, et leur utilisation peut entraîner une grave blessure.
19. Prenez garde d'endommager l'axe, le flasque (tout particulièrement la surface par laquelle il s'installe) ou le contre-écrou. La meule risque de casser si ces pièces sont endommagées.
20. Assurez-vous que la meule n'entre pas en contact avec la pièce avant de mettre l'outil sous tension.
21. Avant d'utiliser l'outil sur la pièce à travailler, faites-le tourner un instant à vide. Soyez attentif à toute vibration ou sautellement pouvant indiquer que la meule n'est pas bien posée ou qu'elle est mal équilibrée.
22. Utilisez la face spécifiée de la meule pour meuler.
23. Ne laissez pas tourner l'outil après l'utilisation. Ne faites fonctionner l'outil qu'une fois que vous l'avez bien en main.
24. Ne touchez pas la pièce immédiatement après avoir terminé le travail ; elle peut être très chaude et vous brûler la peau.
25. Suivez les instructions du fabricant pour un montage adéquat et une utilisation appropriée des meules. Manipulez et rangez les meules soigneusement.
26. N'utilisez pas de bagues de réduction ou d'adaptateurs pour les meules de ponçage dont le trou central est grand.
27. N'utilisez que les flasques spécifiés pour cet outil.
28. Dans le cas des outils conçus pour les meules à trou fileté, assurez-vous que la longueur du filetage de la meule correspond à celle de l'axe.
29. Vérifiez que la pièce à travailler est adéquatement supportée.
30. N'oubliez pas que la meule continue de tourner une fois l'outil éteint.
31. Si le lieu de travail est extrêmement chaud et humide, ou fortement pollué de poussières conductrices, utilisez un disjoncteur (30 mA) pour assurer la sécurité de l'utilisateur.
32. N'utilisez l'outil avec aucun matériau contenant de l'amiante.
33. Lorsque vous utilisez une meule tronçonneuse, travaillez toujours avec le carter de collecte des poussières exigé par la réglementation locale.
34. Aucune pression latérale ne doit être appliquée sur le disque pendant la coupe.
35. N'utilisez pas de gants de travail en tissu pendant la tâche. Les fibres des gants en tissu peuvent pénétrer dans l'outil et le casser.

CONSERVEZ CES INSTRUCTIONS.

⚠ AVERTISSEMENT :

NE vous laissez PAS tromper (au fil d'une utilisation répétée) par un sentiment d'aisance et de familiarité avec le produit, en négligeant le respect rigoureux des consignes de sécurité qui accompagnent le produit en question. La MAUVAISE UTILISATION de l'outil ou l'ignorance des consignes de sécurité indiquées dans ce manuel d'instructions peut entraîner une blessure grave.

DESCRIPTION DU FONCTIONNEMENT

⚠ ATTENTION :

- Assurez-vous toujours que l'outil est hors tension et débranché avant de l'ajuster ou de vérifier son fonctionnement.

Verrouillage de l'arbre (Fig. 1)

⚠ ATTENTION :

- N'activez jamais le verrouillage de l'arbre pendant que l'axe tourne. Vous risqueriez d'abîmer l'outil.

Avant de poser ou de retirer des accessoires, appuyez sur le verrouillage de l'arbre pour empêcher l'arbre de tourner.

Interrupteur (Fig. 2)

⚠ ATTENTION :

- Avant de brancher l'outil, vérifiez toujours que l'interrupteur à glissière fonctionne correctement et revient sur la position d'arrêt (OFF) lorsque vous enfoncez l'arrière de l'interrupteur à glissière.
- Vous pouvez verrouiller l'interrupteur sur la position de marche (ON) pour plus de confort en cas d'utilisation prolongée. Soyez prudent lorsque vous verrouillez l'outil sur la position de marche (ON), et gardez une prise ferme sur l'outil.

Pour faire démarrer l'outil, faites glisser l'interrupteur à glissière vers la position "I (ON)" en poussant l'arrière de l'interrupteur à glissière. Pour un fonctionnement continu, appuyez sur l'avant de l'interrupteur à glissière pour le verrouiller.

Pour arrêter l'outil, appuyez sur l'arrière de l'interrupteur à glissière, puis faites-le glisser vers la position "O (OFF)".

Témoin indicateur (Fig. 3)

Le témoin indicateur s'allume en vert lorsque l'outil est branché. Si le voyant indicateur ne s'allume pas, il se peut que le cordon d'alimentation ou le contrôleur soit défectueux. Si le témoin indicateur s'allume mais que l'outil ne démarre pas même s'il est sous tension, il se peut que les charbons soient usés, ou que le contrôleur, le moteur ou l'interrupteur de marche/arrêt soit défectueux.

Protection contre le redémarrage accidentel

Même branché, l'outil ne démarre pas si l'interrupteur est verrouillé.

Le voyant indicateur clignote alors en rouge, ce qui signifie que le dispositif de protection contre le redémarrage accidentel est activé.

Pour désactiver la protection contre le redémarrage accidentel, remettez l'interrupteur à glissière sur la position "O (OFF)".

Bague de réglage de la vitesse (Fig. 4)

Vous pouvez modifier la vitesse de rotation en tournant le cadran de réglage de la vitesse sur un numéro de 1 à 5.

La vitesse augmente lorsque vous tournez le cadran vers le numéro 5. La vitesse diminue lorsque vous le tournez vers le numéro 1.

Reportez-vous au tableau ci-dessous, qui indique la relation entre les numéros de réglage du cadran et la vitesse de rotation approximative.

Numéro	min ⁻¹ (R.P.M.)
1	2 000
2	3 000
3	4 000
4	5 500
5	7 800

012757

⚠ ATTENTION :

- Si l'outil est utilisé à basses vitesses de manière continue, le moteur sera surchargé et chauffera.
- Le cadran de réglage de la vitesse ne peut être tourné que sur la plage de 1 à 5. Ne le forcez pas à l'extérieur de cette plage de 1 à 5, autrement le dispositif de réglage de la vitesse risque de ne plus fonctionner.

Dispositif électronique

Les outils dotés d'un dispositif électronique sont d'utilisation facile, grâce aux fonctions suivantes.

Commande de vitesse constante

La commande de vitesse constante permet d'obtenir une belle finition, en maintenant la vitesse de rotation constante lorsque l'outil est soumis à une charge.

Fonction de démarrage en douceur

La fonction de démarrage en douceur supprime le choc de démarrage.

Protection contre la surcharge

Lorsque la charge à laquelle l'outil est soumis dépasse le niveau acceptable, l'alimentation du moteur est réduite pour éviter qu'il ne surchauffe. Lorsque la charge revient à un niveau acceptable, l'outil reprend son fonctionnement normal.

ASSEMBLAGE

⚠ ATTENTION :

- Avant d'effectuer toute intervention sur l'outil, assurez-vous toujours qu'il est hors tension et débranché.

Pose de la poignée latérale (poignée) (Fig. 5 et 6)

⚠ ATTENTION :

- Avant l'utilisation, assurez-vous toujours que la poignée latérale est fermement posée.

Retirez une des vis qui retiennent le couvercle supérieur. Ensuite, vissez la poignée latérale dans l'orifice fileté.

Pose du coussinet et du disque abrasif (Fig. 7 et 8)

Enlevez toute saleté et tout corps étranger sur le coussinet.

Vissez le coussinet sur l'arbre tout en appuyant sur le verrouillage de l'arbre.

Fixez le disque abrasif au centre du coussinet. Veillez à ce que le coussinet ne dépasse les bords du disque abrasif.

Pour retirer le disque abrasif, détachez-le du coussinet par les bords.

QUAND L'OUTIL EST UTILISÉ COMME MEULEUSE (Fig. 9, 10 et 11)

Pour utiliser l'outil comme meuleuse, retirez le couvercle supérieur et posez la poignée latérale et un carter de meule en option.

Desserrez les vis et retirez le couvercle supérieur.

Vissez fermement la poignée latérale sur la position de l'outil indiquée sur la figure.

⚠ ATTENTION :

- Avant l'utilisation, assurez-vous toujours que la poignée latérale est fermement posée.

Pose ou retrait du carter de meule (pour meule à moyeu déporté, disque à lamelles, meule flexible, brosse métallique circulaire / meule à tronçonner abrasive, meule diamantée) (accessoire en option) (Fig. 12, 13 et 14)

⚠ AVERTISSEMENT :

- Pendant l'utilisation d'une meule à moyeu déporté, d'un disque à lamelles, d'une meule flexible ou d'une brosse métallique circulaire, le carter de meule doit être posé sur l'outil de manière à toujours se refermer du côté de l'utilisateur.
- Pendant l'utilisation d'une meule à tronçonner abrasive / meule diamantée, vous devez utiliser exclusivement le carter de meule spécialement conçu pour les meules à tronçonner. (Dans certains pays d'Europe, il est possible d'utiliser le carter ordinaire avec une meule diamantée. Respectez la réglementation en vigueur dans votre pays.)

Pour outil avec carter de meule à vis de verrouillage

Montez le carter de meule en alignant les parties saillantes de la bande du carter de meule sur les entailles du boîtier de roulement. Faites ensuite pivoter le carter de meule de 180° dans le sens contraire des aiguilles d'une montre. Vous devez serrer fermement la vis.

Pour retirer le carter de meule, effectuez la procédure de pose à l'inverse.

Pour outil avec carter de meule à levier de serrage

Après avoir desserré la vis, tirez sur le levier dans le sens de la flèche. Montez le carter de meule en alignant les parties saillantes de la bande du carter de meule sur les entailles du boîtier de roulement. Faites ensuite pivoter le carter de meule de 180°.

Serrez le carter de meule à l'aide de la vis de serrage après avoir tiré sur le levier dans le sens de la flèche. Le levier permet d'ajuster l'angle de pose du carter de meule.

Pour retirer le carter de meule, effectuez la procédure de pose à l'inverse.

Pose ou retrait de la meule à moyeu déporté ou du disque à lamelles (accessoire en option) (Fig. 15 et 16)

⚠ AVERTISSEMENT :

- Pour l'utilisation d'une meule à moyeu déporté ou d'un disque à lamelles, le carter de meule doit être posé sur l'outil de manière à toujours se refermer du côté de l'utilisateur.

Montez le flasque intérieur sur l'axe. Placez le disque ou la meule sur le flasque intérieur, et vissez le contre-écrou sur l'axe.

Pour serrer le contre-écrou, appuyez fermement sur le verrouillage de l'arbre pour empêcher l'axe de tourner, et serrez fermement à l'aide de la clé à contre-écrou en tournant dans le sens des aiguilles d'une montre.

Pour retirer la meule, effectuez la procédure de pose à l'inverse.

Super flasque (accessoire en option)

Les modèles qui contiennent la lettre F sont dotés du super flasque. En comparaison du type classique, ces modèles ne requièrent que le 1/3 de l'effort pour desserrer le contre-écrou.

⚠ ATTENTION :

- N'utilisez pas le super flasque sur les modèles dotés d'un frein mécanique. Autrement le super flasque risque de se desserrer lors de l'activation du frein.

Pose ou retrait de l'écrou Ezynut (accessoire en option) (Fig. 17, 18, 19 et 20)

⚠ ATTENTION :

- N'utilisez pas l'écrou Ezynut avec un super flasque ou sur une meuleuse d'angle dont le numéro de modèle se termine par "F". Ces flasques sont si épais que l'axe ne peut pas retenir tout le filetage.

Montez le flasque intérieur, la meule abrasive et l'écrou Ezynut sur l'axe, en plaçant le logo Makita de l'écrou Ezynut vers l'extérieur.

Appuyez fermement sur le verrouillage de l'arbre et serrez l'écrou Ezynut en tournant le plus possible la meule abrasive dans le sens des aiguilles d'une montre. Tournez la bague extérieure de l'écrou Ezynut dans le sens contraire des aiguilles d'une montre pour desserrer.

NOTE :

- Il est possible de desserrer l'écrou Ezynut avec la main si la flèche pointe vers l'entaille. Autrement il faut utiliser une clé à contre-écrou pour le desserrer. Insérez une broche de la clé dans un orifice et tournez l'écrou Ezynut dans le sens contraire des aiguilles d'une montre.

Pose ou retrait de la meule flexible (accessoire en option) (Fig. 21)

⚠ AVERTISSEMENT :

- Lorsque la meule flexible est posée sur l'outil, utilisez toujours le carter fourni. La meule peut se briser en éclats pendant l'utilisation ; le cas échéant, le carter contribue à réduire les risques de blessure.

Suivez les instructions pour la meule à moyeu déporté, et posez le coussinet de plastique sur la meule. Pour l'ordre d'assemblage, reportez-vous à la page des accessoires dans le présent manuel.

Pose ou retrait du disque abrasif (accessoire en option) (Fig. 22)

NOTE :

- Utilisez les accessoires de ponceuse spécifiés dans ce manuel. Ils sont vendus séparément.

Montez le coussinet de caoutchouc sur l'axe. Placez le disque sur le coussinet de caoutchouc et vissez le contre-écrou de ponçage sur l'axe. Pour serrer le contre-écrou de ponçage, appuyez fermement sur le verrouillage de l'arbre pour empêcher l'axe de tourner, et serrez fermement à l'aide de la clé à contre-écrou en tournant dans le sens des aiguilles d'une montre.

Pour retirer le disque, effectuez la procédure de pose à l'inverse.

Pose ou retrait de la fixation de couvercle à poussières (accessoire en option) (Fig. 23)

⚠ AVERTISSEMENT :

- **Avant de poser ou de retirer la fixation de couvercle à poussières, assurez-vous toujours que l'outil est hors tension et débranché.** Autrement il y a risque de dommages à l'outil ou de blessure.

La fixation de couvercle à poussières se compose de quatre pièces, chacune étant utilisée sur une des différentes positions.

Posez la fixation de couvercle à poussières de sorte que le repère (A, B, C ou D) soit placé tel qu'illustré. Fixez ses broches dans les orifices d'aération.

La fixation de couvercle à poussières peut être retirée avec la main.

NOTE :

- Nettoyez la fixation de couvercle à poussières lorsqu'elle est bouchée par les poussières ou par des corps étrangers. Si vous poursuivez votre travail alors que la fixation de couvercle à poussières est bouchée, vous endommagerez l'outil.

UTILISATION

⚠ AVERTISSEMENT :

- Il n'est jamais nécessaire de forcer l'outil. Le poids de l'outil suffit pour appliquer une pression adéquate. En forçant l'outil ou en appliquant une pression excessive, vous risquez de provoquer un dangereux éclatement de la meule.
- Remplacez TOUJOURS la meule si vous échappez l'outil en meulant.
- Ne JAMAIS frapper ou heurter le disque ou la meule contre la pièce à travailler.
- Évitez de laisser la meule sautiller ou accrocher, tout spécialement lorsque vous travaillez dans des coins, sur des angles vifs, etc. Il y a risque de perte de contrôle de l'outil et de choc en retour.
- Ne JAMAIS utiliser l'outil avec des lames à bois et autres lames de scie. Utilisées sur une meuleuse, ces lames reculent souvent et causent une perte de contrôle, ce qui comporte un risque de blessure.

⚠ ATTENTION :

- Ne faites jamais démarrer l'outil alors qu'il touche la pièce à travailler ; il y a risque de blessure chez l'utilisateur.
- Portez toujours des lunettes à coques ou un écran facial pendant l'utilisation.
- Une fois le travail terminé, mettez toujours l'outil hors tension et attendez l'arrêt complet de la meule avant de déposer l'outil.

Meulage et ponçage (Fig. 24)

Tenez TOUJOURS l'outil fermement, avec une main sur le carter de l'outil et l'autre main sur la poignée latérale. Ne touchez pas les parties métalliques. Faites démarrer l'outil, puis appliquez la meule ou le disque sur la pièce à travailler.

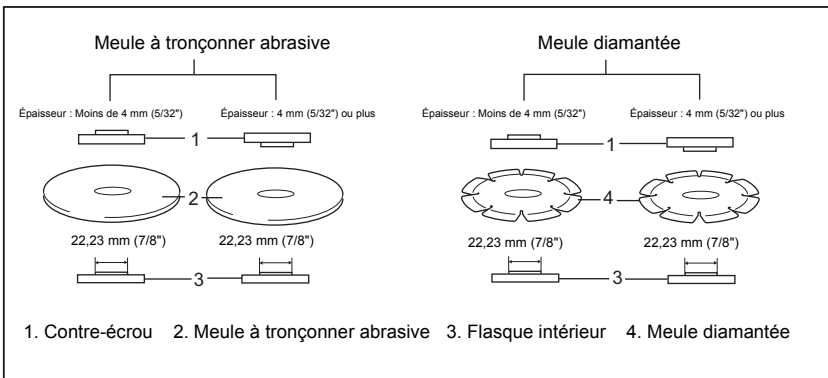
En général, gardez le bord de la meule ou du disque sur un angle d'environ 15° par rapport à la surface de la pièce à travailler.

Pendant la période de rodage d'une meule neuve, ne faites pas avancer la meuleuse dans le sens B, sinon elle coupera la pièce à travailler. Une fois le bord de la meule rodé, la meule peut être utilisée dans les sens A et B.

Utilisation avec une meule à tronçonner abrasive / meule diamantée (accessoire en option) (Fig. 25)

Le sens de montage du contre-écrou et du flasque intérieur varie suivant l'épaisseur de la meule.

Reportez-vous au tableau ci-dessous.



011644

⚠ AVERTISSEMENT :

- Pendant l'utilisation d'une meule à tronçonner abrasive / meule diamantée, vous devez utiliser exclusivement le carter de meule spécialement conçu pour les meules à tronçonner. (Dans certains pays d'Europe, il est possible d'utiliser le carter ordinaire avec une meule diamantée. Respectez la réglementation en vigueur dans votre pays.)
- Ne JAMAIS utiliser une meule à tronçonner pour faire du meulage latéral.

- Évitez de "coincer" la meule ou d'appliquer une pression excessive. N'essayez pas de couper trop profondément. Un travail trop intense augmente la charge de l'outil, peut forcer la meule à se tordre ou à coincer dans la pièce, ce qui comporte un risque de choc en retour, d'éclatement de la meule ou de surchauffe du moteur.
- Ne commencez pas la coupe avec l'outil engagé dans la pièce à travailler. Attendez que la meule ait atteint sa pleine vitesse, puis faites pénétrer l'outil prudemment dans la ligne de coupe en le faisant avancer à la surface de la pièce à travailler. La meule peut se coincer, remonter hors de la ligne de coupe ou effectuer un choc en retour si vous faites démarrer l'outil électrique alors qu'il est engagé dans la pièce à travailler.

- Ne modifiez jamais l'angle de la meule pendant l'exécution de la coupe. L'application d'une pression latérale sur la meule à tronçonner (comme pour le meulage) causera la fissuration et l'éclatement de la meule, ce qui comporte un risque de blessure grave.
- Une meule diamantée doit être utilisée perpendiculairement au matériau à couper.

Utilisation avec la brosse métallique à coupelle (accessoire en option) (Fig. 26)

ATTENTION :

- Vérifiez le fonctionnement de la brosse en faisant tourner l'outil à vide, après vous être assuré que personne ne se trouve devant ou dans la trajectoire de la brosse.
- N'utilisez pas la brosse si elle est abîmée ou déséquilibrée. L'utilisation d'une brosse abîmée augmente le risque de blessure au contact des fils métalliques cassés de la brosse.

Débranchez l'outil et retournez-le pour accéder facilement à l'axe. Retirez tout accessoire présent sur l'axe. Vissez la brosse métallique à coupelle sur l'axe et serrez-la à l'aide de la clé fournie. Lors de l'utilisation de la brosse, évitez d'appliquer une pression excessive pour éviter de trop courber les fils et de causer ainsi leur usure prématurée.

Utilisation avec une brosse métallique circulaire (accessoire en option) (Fig. 27)

ATTENTION :

- Vérifiez le fonctionnement de la brosse métallique circulaire en faisant tourner l'outil à vide, après vous être assuré que personne ne se trouve devant ou dans la trajectoire de la brosse métallique circulaire.
- N'utilisez pas la brosse métallique circulaire si elle est abîmée ou déséquilibrée. L'utilisation d'une brosse métallique circulaire abîmée augmente le risque de blessure au contact des fils métalliques cassés de la brosse.
- Utilisez TOUJOURS le carter avec les brosses métalliques circulaires, en vous assurant que le diamètre de la meule est inférieur à celui du carter. La meule peut se briser en éclats pendant l'utilisation ; le cas échéant, le carter contribue à réduire les risques de blessure.

Débranchez l'outil et retournez-le pour accéder facilement à l'axe. Retirez tout accessoire présent sur l'axe. Vissez la brosse métallique circulaire sur l'arbre et serrez-la à l'aide des clés.

Lors de l'utilisation de la brosse métallique circulaire, évitez d'appliquer une pression excessive pour éviter de trop courber les fils et de causer ainsi leur usure prématurée.

ENTRETIEN

ATTENTION :

- Assurez-vous toujours que l'outil est hors tension et débranché avant d'y effectuer tout travail d'inspection ou d'entretien.
- N'utilisez jamais d'essence, benzine, diluant, alcool ou autre produit similaire. Cela risquerait de provoquer la décoloration, la déformation ou la fissuration de l'outil.

L'outil et ses orifices d'aération doivent être gardés propres. Nettoyez régulièrement les orifices d'aération de l'outil, ainsi que chaque fois qu'ils commencent à se boucher. (Fig. 28)

Pour maintenir la SÉCURITÉ et la FIABILITÉ du produit, les réparations, l'inspection et le remplacement des charbons, et tout autre travail d'entretien ou de réglage doivent être effectués dans un centre de service Makita agréé, exclusivement avec des pièces de rechange Makita.

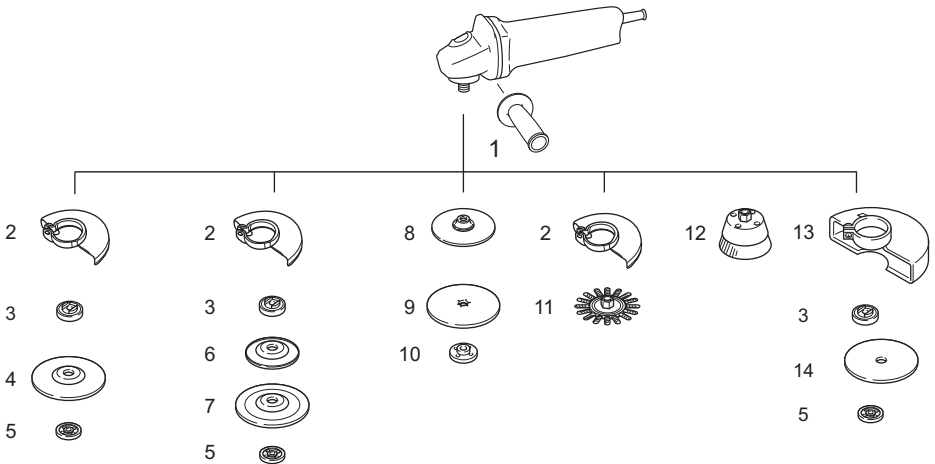
ACCESSOIRES EN OPTION

ATTENTION :

- Ces accessoires ou pièces complémentaires sont recommandés pour l'utilisation avec l'outil Makita spécifié dans ce mode d'emploi. L'utilisation de tout autre accessoire ou pièce complémentaire peut comporter un risque de blessure. N'utilisez les accessoires ou pièces qu'aux fins auxquelles ils ont été conçus.

Si vous désirez obtenir plus de détails concernant ces accessoires, veuillez contacter le centre de service après-vente Makita le plus près.

- Disque abrasif
- Fixation de couvercle à poussières



	Modèle 115 mm (4-1/2")	Modèle 125 mm (5")
1	Poignée 36	
2	Carter de meule (pour meule)	
3	Flasque intérieur 42 Super flasque 47 *1	
4	Meule à moyeu déporté / Disque à lamelles	
5	Contre-écrou 14-45 Écrou Ezynut *2	
6	Coussinet de plastique	
7	Meule flexible	
8	Coussinet de caoutchouc 100	Coussinet de caoutchouc 115
9	Disque abrasif	
10	Contre-écrou de ponçage 14-48	
11	Brosse métallique circulaire	
12	Brosse métallique à coupelle	
13	Carter de meule (pour meule à tronçonner) *3	
14	Meule à tronçonner abrasive / Meule diamantée	
-	Clé à contre-écrou 35	

Note :

*1 N'utilisez pas le super flasque avec une meuleuse dotée d'un dispositif de freinage.

*2 N'utilisez pas ensemble le super flasque et l'écrou Ezynut.

*3 Dans certains pays d'Europe, avec une meule diamantée il est possible d'utiliser le carter ordinaire au lieu du carter spécial qui recouvre les deux côtés de la meule. Respectez la réglementation en vigueur dans votre pays.

012987

NOTE :

- Il se peut que certains éléments de la liste soient compris dans l'emballage de l'outil en tant qu'accessoires standard. Ils peuvent varier d'un pays à l'autre.

Bruit

Niveau de bruit pondéré A typique, déterminé selon EN60745 :

Niveau de pression sonore (L_{pA}) : 84 dB (A)

Niveau de puissance sonore (L_{WA}) : 95 dB (A)

Incertitude (K) : 3 dB (A)

Porter des protecteurs anti-bruit

ENG900-1

Vibrations

Valeur totale de vibrations (somme de vecteur triaxial) déterminée selon EN60745 :

Mode de travail : ponçage au disque avec poignée latérale antivibrations

Émission de vibrations ($a_{h, DS}$) : 2,5 m/s² ou moins

Incertitude (K) : 1,5 m/s²

Mode de travail : ponçage au disque avec poignée latérale ordinaire

Émission de vibrations ($a_{h, DS}$) : 2,5 m/s² ou moins

Incertitude (K) : 1,5 m/s²

Mode de travail : meulage de surface avec poignée latérale antivibrations

Émission de vibrations ($a_{h, AG}$) : 4,0 m/s²

Incertitude (K) : 1,5 m/s²

Mode de travail : meulage de surface avec poignée latérale ordinaire

Émission de vibrations ($a_{h, AG}$) : 5,0 m/s²

Incertitude (K) : 1,5 m/s²

ENG902-1

- La valeur d'émission de vibrations déclarée a été mesurée conformément à la méthode de test standard et peut être utilisée pour comparer les outils entre eux.
- La valeur d'émission de vibrations déclarée peut aussi être utilisée pour l'évaluation préliminaire de l'exposition.
- La valeur d'émission de vibrations déclarée s'applique aux principales utilisations de l'outil électrique. Il se peut toutefois que la valeur d'émission de vibrations soit différente pour d'autres utilisations de l'outil électrique.

 AVERTISSEMENT :

- L'émission de vibrations lors de l'usage réel de l'outil électrique peut être différente de la valeur d'émission déclarée, suivant la façon dont l'outil est utilisé.
- Les mesures de sécurité à prendre pour protéger l'utilisateur doivent être basées sur une estimation de l'exposition dans des conditions réelles d'utilisation (en tenant compte de toutes les composantes du cycle d'utilisation, comme par exemple le moment de sa mise hors tension, lorsqu'il tourne à vide et le moment de son déclenchement).

Pour les pays d'Europe uniquement**Déclaration de conformité CE**

Makita déclare que la (les) machine(s) suivante(s) :

Désignation de la machine :

Ponceuse

N° de modèle / Type : SA5040C

sont conformes aux directives européennes suivantes :

2006/42/CE

et sont fabriquées conformément aux normes ou aux documents normalisés suivants :

EN60745

La documentation technique conforme à la norme 2006/42/CE est disponible auprès de :

Makita, Jan-Baptist Vinkstraat 2, 3070, Belgique

1.2.2016



Yasushi Fukaya
Directeur

Makita, Jan-Baptist Vinkstraat 2, 3070, Belgique

Übersicht

1 Spindelarretierung	14 Sicherungsmutter	27 Markierung B
2 Schiebeschalter	15 Gekröpfte Trennschleifscheibe	28 Markierung C
3 Anzeigelampe (Drehzahl-Stellrad)	16 Innenflansch	29 Markierung D
4 Drehzahl-Stellrad	17 Sicherungsmutterschlüssel	30 Trennschleifscheibe/ Diamantscheibe
5 Schraube	18 Ezynut	31 Schutzhaube für Trennschleifscheibe/ Diamantscheibe
6 Schleifpapier	19 Schleifscheibe	32 Topfdrahtbürste
7 Schleifteller	20 Pfeil	33 Rotordrahtbürste
8 Spindel	21 Kerbe	34 Auslassöffnung
9 Kopfabdeckung	22 Flexscheibe	35 Einlassöffnung
10 Getriebegehäuse	23 Kunststoffscheibe	
11 Schutzhaube	24 Schleifscheiben- Sicherungsmutter	
12 Lagergehäuse	25 Gummiteiler	
13 Hebel	26 Markierung A	

TECHNISCHE DATEN

Modell	SA5040C
Schleifscheibendurchmesser	125 mm
Scheibendurchmesser	115 mm oder 125 mm (abhängig von der optionalen Schutzhaube)
Max. Scheibendicke	6,4 mm
Spindelgewinde	M14
Nenn Drehzahl (n) / Leerlaufdrehzahl (n ₀)	7 800 min ⁻¹
Gesamtlänge	315 mm
Nettogewicht	2,2 kg
Sicherheitsklasse	□/II

GEB097-3

- Wir behalten uns vor, Änderungen im Zuge der Entwicklung und des technischen Fortschritts ohne vorherige Ankündigung vorzunehmen.
- Die technischen Daten können von Land zu Land abweichen.
- Gewicht nach EPTA-Verfahren 01/2003

ENE094-1

Vorgesehene Verwendung

Das Werkzeug ist für das Schleifen, Schmirlen und Schneiden von Metall- und Steinmaterial ohne den Gebrauch von Wasser vorgesehen. Für Schleifen und Trennschleifen müssen die korrekten Schutzhauben montiert werden.

ENF002-2

Netzanschluss

Die Maschine darf nur an die auf dem Typenschild angegebene Netzspannung angeschlossen werden und arbeitet nur mit Einphasen-Wechselspannung. Sie ist doppelt schutzisoliert und kann daher auch an Steckdose ohne Erdanschluss betrieben werden.

GEA010-1

Allgemeine Sicherheitswarnungen für Elektrowerkzeuge

⚠️ WARNUNG Lesen Sie alle Sicherheitswarnungen und Anweisungen durch. Eine Missachtung der unten aufgeführten Warnungen und Anweisungen kann zu einem elektrischen Schlag, Brand und/oder schweren Verletzungen führen.

Bewahren Sie alle Warnungen und Anweisungen für spätere Bezugnahme auf.

SICHERHEITSWARNUNGEN FÜR ROTATIONSSCHLEIFER/WINKELSCHLEIFER

Allgemeine Sicherheitswarnungen für Schleif-, Schmirlgel-, Drahtbürsten- oder Trennschleifbetrieb:

1. **Dieses Elektrowerkzeug ist für Schleifen, Schmirlen, Drahtbürsten oder Trennschleifen vorgesehen. Lesen Sie alle mit diesem Elektrowerkzeug gelieferten Sicherheitswarnungen, Anweisungen, Abbildungen und technischen Daten durch.** Eine Missachtung der unten aufgeführten Anweisungen kann zu einem elektrischen Schlag, Brand und/oder schweren Verletzungen führen.
2. **Arbeiten, wie Polieren, sind mit diesem Elektrowerkzeug nicht zu empfehlen.** Benutzungsweisen, für die das Elektrowerkzeug nicht ausgelegt ist, können Gefahren erzeugen und Verletzungen verursachen.
3. **Verwenden Sie kein Zubehör, das nicht speziell vom Werkzeughersteller vorgesehen ist und empfohlen wird.** Die bloße Tatsache, dass ein Zubehörteil an Ihrem Elektrowerkzeug angebracht werden kann, gewährleistet noch keinen sicheren Betrieb.

4. Die Nenndrehzahl des Zubehörs muss mindestens der am Elektrowerkzeug angegebenen Maximaldrehzahl entsprechen. Zubehöreile, die schneller als ihre Nenndrehzahl rotieren, können bersten und auseinander fliegen.
 5. Außendurchmesser und Dicke des Zubehörs müssen innerhalb der Kapazitätsgrenzen Ihres Elektrowerkzeugs liegen. Zubehöreile der falschen Größe können nicht angemessen geschützt oder kontrolliert werden.
 6. Die Gewindehalterung von Zubehöreilen muss genau dem Gewinde der Schleifmaschinen spindle entsprechen. Bei Zubehöreilen, die durch Flansche montiert werden, muss die Spindelbohrung dem Positionierdurchmesser des Flansches angepasst sein. Zubehöreile, die nicht genau auf den Montageflansch des Elektrowerkzeugs passen, laufen unruhig, vibrieren übermäßig und können einen Verlust der Kontrolle verursachen.
 7. Verwenden Sie keine beschädigten Zubehöreile. Überprüfen Sie die Zubehöreile vor jedem Gebrauch: z. B. Schleifscheiben auf Abspaltungen und Risse, Schleifeller auf Risse, Brüche oder übermäßigen Verschleiß, Drahtbürsten auf lose oder rissige Drähte. Falls das Elektrowerkzeug oder das Zubehöreil herunterfällt, überprüfen Sie es auf Beschädigung, oder montieren Sie ein unbeschädigtes Zubehöreil. Achten Sie nach der Überprüfung und Installation eines Zubehörs darauf, dass Sie selbst und Umstehende nicht in der Rotationsebene des Zubehörs stehen, und lassen Sie das Elektrowerkzeug eine Minute lang mit maximaler Leerlaufdrehzahl laufen. Ein beschädigtes Zubehöreil bricht normalerweise während dieses Probelaufs auseinander.
 8. Tragen Sie Schutzausrüstung. Benutzen Sie je nach der Arbeit einen Gesichtsschutz bzw. eine Sicherheits- oder Schutzbrille. Tragen Sie bei Bedarf eine Staubmaske, Ohrenschützer, Handschuhe und eine Arbeitsschürze, die in der Lage ist, kleine Schleifpartikel oder Werkstücksplitter abzuwehren. Der Augenschutz muss in der Lage sein, den bei verschiedenen Arbeiten anfallenden Flugstaub abzuwehren. Die Staubmaske oder Atemschutzmaske muss in der Lage sein, durch die Arbeit erzeugte Partikel herauszufiltern. Lang anhaltende Lärmbelastung kann zu Gehörschäden führen.
 9. Halten Sie Umstehende in sicherem Abstand vom Arbeitsbereich. Jeder, der den Arbeitsbereich betritt, muss Schutzausrüstung tragen. Bruchstücke des Werkstücks oder eines beschädigten Zubehörs können weggeschleudert werden und Verletzungen über den unmittelbaren Arbeitsbereich hinaus verursachen.
 10. Halten Sie das Elektrowerkzeug nur an den isolierten Griffflächen, wenn Sie Arbeiten ausführen, bei denen die Gefahr besteht, dass verborgene Kabel oder das eigene Kabel kontaktiert werden. Bei Kontakt mit einem Strom führenden Kabel können die freiliegenden Metallteile des Elektrowerkzeugs ebenfalls Strom führend werden, so dass der Benutzer einen elektrischen Schlag erleiden kann.
 11. Halten Sie das Kabel vom rotierenden Zubehöreil fern. Falls Sie die Kontrolle verlieren, kann das Kabel durchgetrieben oder erfasst werden, so dass Ihre Hand oder Ihr Arm in das rotierende Zubehöreil hineingezogen wird.
 12. Legen Sie das Elektrowerkzeug erst ab, nachdem das Zubehöreil zum vollständigen Stillstand gekommen ist. Anderenfalls kann das rotierende Zubehöreil die Oberfläche erfassen und das Elektrowerkzeug aus Ihren Händen reißen.
 13. Lassen Sie das Elektrowerkzeug nicht laufen, während Sie es an Ihrer Seite tragen. Das rotierende Zubehöreil könnte sonst bei versehentlichem Kontakt Ihre Kleidung erfassen und auf Ihren Körper zu gezogen werden.
 14. Reinigen Sie die Ventilationsöffnungen des Elektrowerkzeugs regelmäßig. Der Lüfter des Motors saugt Staub in das Gehäuse an, und starke Ablagerungen von Metallstaub können elektrische Gefahren verursachen.
 15. Betreiben Sie das Elektrowerkzeug nicht in der Nähe von brennbaren Materialien. Funken könnten diese Materialien entzünden.
 16. Verwenden Sie keine Zubehöreile, die Kühlfüssigkeiten erfordern. Die Verwendung von Wasser oder anderen Kühlfüssigkeiten kann zu einem Stromschlag führen.
- Warnungen vor Rückschlag und damit zusammenhängenden Gefahren**
- Ein Rückschlag ist eine plötzliche Reaktion auf Klemmen oder Hängenbleiben der Schleifscheibe, des Schleifellers, der Drahtbürste oder eines anderen Zubehörs. Klemmen oder Hängenbleiben verursacht sofortiges Stocken des rotierenden Zubehörs, was wiederum dazu führt, dass das außer Kontrolle geratene Elektrowerkzeug am Stockpunkt in die entgegengesetzte Drehrichtung des Zubehörs geschleudert wird.
- Wenn beispielsweise eine Schleifscheibe vom Werkstück erfasst oder eingeklemmt wird, kann sich die in den Klemmpunkt eindringende Schleifscheibenkante in die Materialoberfläche bohren, so dass sie herausspringt oder zurückschlägt. Je nach der Drehrichtung der Schleifscheibe am Klemmpunkt kann die Schleifscheibe auf die Bedienungsperson zu oder von ihr weg springen. Schleifscheiben können unter solchen Bedingungen auch brechen.
- Rückschlag ist das Resultat falscher Handhabung des Elektrowerkzeugs und/oder falscher Arbeitsverfahren oder -bedingungen und kann durch Anwendung der nachstehenden Vorsichtsmaßnahmen vermieden werden.
- a) Halten Sie das Elektrowerkzeug mit festem Griff, und positionieren Sie Ihren Körper und Arm so, dass Sie die Rückschlagkräfte auffangen können. Benutzen Sie stets den Zusatzgriff, wenn vorhanden, um maximale Kontrolle über Rückschlag oder Drehbewegungen während des Anlaufs zu haben. Drehbewegungen oder Rückschlagkräfte können kontrolliert werden, wenn entsprechende Vorkehrungen getroffen werden.
 - b) Halten Sie Ihre Hand niemals in die Nähe des rotierenden Zubehörs. Bei einem Rückschlag könnte das Zubehöreil Ihre Hand verletzen.

- c) **Stellen Sie sich nicht in den Bereich, in den das Elektrowerkzeug bei Auftreten eines Rückschlags geschleudert wird.** Der Rückschlag schleudert die Maschine am Stockpunkt in die entgegengesetzte Drehrichtung der Schleifscheibe.
- d) **Lassen Sie beim Bearbeiten von Ecken und scharfen Kanten usw. besondere Vorsicht walten. Vermeiden Sie Anstoßen und Verhaken des Zubehörs.** Ecken, scharfe Kanten oder Anstoßen führen leicht zu Hängenbleiben des rotierenden Zubehörs und verursachen Verlust der Kontrolle oder Rückschlag.
- e) **Montieren Sie keine Sägeketten, Holzfräsen oder gezahnte Sägeblätter.** Solche Zubehörs verursachen häufige Rückschläge und Verlust der Kontrolle.

Sicherheitswarnungen speziell für Schleif- und Trennschleifbetrieb:

- a) **Verwenden Sie nur Schleifscheiben, die für Ihr Elektrowerkzeug empfohlen werden, und die für die ausgewählte Schleifscheibe vorgesehene Schutzhaube.** Schleifscheiben, die nicht für das Elektrowerkzeug geeignet sind, können nicht angemessen abgeschirmt werden und sind unsicher.
- b) **Die Schleiffläche von gekrümmten Trennschleifscheiben muss unterhalb der Ebene der Schutzlippe montiert werden.** Eine falsch montierte Schleifscheibe, die über die Ebene der Schutzlippe hinausragt, kann nicht angemessen geschützt werden.
- c) **Die Schutzhaube muss sicher am Elektrowerkzeug befestigt und für maximale Sicherheit positioniert werden, um den auf die Bedienungsperson gerichteten Schleifscheibenbetrag minimal zu halten.** Die Schutzhaube schützt den Bediener vor Schleifscheiben-Bruchstücken, versehentlichem Kontakt mit der Schleifscheibe und Funken, welche die Kleidung in Brand setzen könnten.
- d) **Schleifscheiben dürfen nur für empfohlene Anwendungen eingesetzt werden. Zum Beispiel: Nicht mit der Seite einer Trennscheibe schleifen.** Trennscheiben sind für Periphereschleifen vorgesehen. Falls seitliche Kräfte auf diese Scheiben einwirken, können sie zerbrechen.
- e) **Verwenden Sie stets unbeschädigte Scheibenflansche der korrekten Größe und Form für die ausgewählte Schleifscheibe.** Korrekte Scheibenflansche stützen die Schleifscheibe und reduzieren somit die Möglichkeit eines Scheibenbruchs. Flansche für Trennscheiben können sich von solchen für Schleifscheiben unterscheiden.
- f) **Verwenden Sie keine abgenutzten Schleifscheiben von größeren Elektrowerkzeugen.** Schleifscheiben für größere Elektrowerkzeuge eignen sich nicht für die höhere Drehzahl einer kleineren Maschine und können bersten.

Zusätzliche Sicherheitswarnungen speziell für Trennschleifbetrieb:

- a) **Vermeiden Sie "Verkanten" der Trennscheibe oder die Ausübung übermäßigen Drucks. Versuchen Sie nicht, übermäßig tiefe Schnitte zu machen.** Überbeanspruchung der Schleifscheibe erhöht die Belastung und die Empfänglichkeit für Verdrehen oder Klemmen der Schleifscheibe im Schnitt sowie die Möglichkeit von Rückschlag oder Scheibenbruch.
- b) **Stellen Sie sich nicht so, dass sich Ihr Körper in einer Linie mit der rotierenden Schleifscheibe oder hinter dieser befindet.** Wenn sich die Schleifscheibe am Arbeitspunkt von Ihrem Körper weg bewegt, kann ein möglicher Rückschlag die rotierende Schleifscheibe und das Elektrowerkzeug direkt auf Sie zu schleudern.
- c) **Falls die Schleifscheibe klemmt oder der Schnitt aus irgendeinem Grund unterbrochen wird, schalten Sie das Elektrowerkzeug aus und halten Sie es bewegungslos im Werkstück, bis die Schleifscheibe zum völligen Stillstand kommt. Versuchen Sie auf keinen Fall, die rotierende Trennscheibe aus dem Schnitt zu entfernen, weil sonst ein Rückschlag auftreten kann.** Nehmen Sie eine Überprüfung vor, und treffen Sie Abhilfemaßnahmen, um die Ursache von Schleifscheiben-Klemmen zu beseitigen.
- d) **Setzen Sie den Schnittbetrieb nicht mit im Werkstück sitzender Trennscheibe fort. Führen Sie die Trennscheibe vorsichtig in den Schnitt ein, nachdem sie die volle Drehzahl erreicht hat.** Wird das Elektrowerkzeug mit im Werkstück sitzender Trennscheibe eingeschaltet, kann die Trennscheibe klemmen, hochsteigen oder zurückschlagen.
- e) **Stützen Sie Platten oder andere übergroße Werkstücke ab, um die Gefahr von Klemmen oder Rückschlag der Trennscheibe zu minimieren.** Große Werkstücke neigen dazu, unter ihrem Eigengewicht durchzuhängen. Die Stützen müssen beidseitig der Trennscheibe nahe der Schnittlinie und in der Nähe der Werkstückkante unter das Werkstück platziert werden.
- f) **Lassen Sie besondere Vorsicht walten, wenn Sie einen "Taschenschnitt" in bestehende Wände oder andere Blindflächen durchführen.** Die vorstehende Trennscheibe kann Gas- oder Wasserleitungen, Stromkabel oder Objekte durchschneiden, die Rückschlag verursachen können.

Sicherheitswarnungen speziell für Schmirgelbetrieb:

- a) **Verwenden Sie keine übergroßen Schleifpapierscheiben. Befolgen Sie die Herstellerempfehlungen bei der Wahl des Schleifpapiers.** Größeres Schleifpapier, das über den Schleifteller hinausragt, stellt eine Gefahr für Schnittwunden dar und kann Hängenbleiben oder Zerreißen der Schleifscheibe oder Rückschlag verursachen.

Sicherheitswarnungen speziell für Drahtbürstenbetrieb:

- a) **Beachten Sie, dass Drahtborsten auch bei normalem Betrieb von der Drahtbürste herausgeschleudert werden. Überbeanspruchen Sie die Drähte nicht durch Ausübung übermäßigen Drucks auf die Drahtbürste.** Die Drahtborsten können ohne weiteres leichte Kleidung und/oder Haut durchdringen.
- b) **Wenn der Einsatz einer Schutzhaube für Drahtbürsten empfohlen wird, achten Sie darauf, dass die Drahtscheibe oder die Bürste nicht mit der Schutzhaube in Berührung kommt.** Der Durchmesser der Drahtscheibe oder Bürste kann sich aufgrund der Arbeitslast und der Fliehkräfte vergrößern.

Zusätzliche Sicherheitswarnungen:

17. **Verwenden Sie nur glasfaserverstärkte Scheiben als gekröpfte Trennschleifscheiben.**
18. **Verwenden Sie NIEMALS Stein-Topschleifscheiben mit dieser Schleifmaschine.** Diese Schleifmaschine ist nicht für derartige Schleifscheiben ausgelegt, und der Gebrauch eines solchen Produkts kann zu schweren Personenverletzungen führen.
19. **Achten Sie sorgfältig darauf, dass Spindel, Flansch (insbesondere die Ansatzfläche) und Sicherungsmutter nicht beschädigt werden.** Eine Beschädigung dieser Teile kann zu einem Scheibenbruch führen.
20. **Vergewissern Sie sich vor dem Einschalten der Maschine, dass die Schleifscheibe nicht das Werkstück berührt.**
21. **Lassen Sie die Maschine vor der eigentlichen Bearbeitung eines Werkstücks eine Weile laufen.** Achten Sie auf Vibrationen oder Taumelbewegungen, die Anzeichen für schlechte Montage oder eine schlecht ausgewuchtete Schleifscheibe sein können.
22. **Verwenden Sie nur die vorgeschriebene Fläche der Schleifscheibe für Schleifarbeiten.**
23. **Lassen Sie die Maschine nicht unbeaufsichtigt laufen.** Benutzen Sie die Maschine nur mit Handhaltung.
24. **Vermeiden Sie eine Berührung des Werkstücks unmittelbar nach der Bearbeitung, weil es dann noch sehr heiß ist und Hautverbrennungen verursachen kann.**
25. **Befolgen Sie die Anweisungen des Herstellers für korrekte Montage und Verwendung von Schleifscheiben.** Behandeln und lagern Sie Schleifscheiben mit Sorgfalt.
26. **Verwenden Sie keine getrennten Reduzierbuchsen oder Adapter zur Anpassung von Schleifscheiben mit großem Lochdurchmesser.**
27. **Verwenden Sie nur die für diese Maschine vorgeschriebenen Flansche.**
28. **Wenn eine Trennscheibe mit Gewindebohrung an der Maschine montiert werden soll, achten Sie darauf, dass ihr Gewinde tief genug für die Spindellänge ist.**
29. **Vergewissern Sie sich, dass das Werkstück sicher abgestützt ist.**

30. **Beachten Sie, dass sich die Schleifscheibe nach dem Ausschalten der Maschine noch weiterdreht.**
31. **Falls der Arbeitsplatz sehr heiß, feucht oder durch leitfähigen Staub stark verschmutzt ist, verwenden Sie einen Kurzschlusschalter (30 mA) zum Schutz des Bedieners.**
32. **Verwenden Sie diese Maschine nicht zum Schneiden von asbesthaltigen Materialien.**
33. **Verwenden Sie bei Arbeiten mit der Trennscheibe immer eine gesetzlich vorgeschriebene Staubsammelhaube.**
34. **Trennscheiben dürfen keinem seitlichen Druck ausgesetzt werden.**
35. **Verwenden Sie keine Arbeitshandschuhe aus Stoff während der Arbeit.** Fasern von Stoffhandschuhen können in das Werkzeug gelangen, was zu einer Beschädigung des Werkzeugs führen kann.

BEWAHREN SIE DIESE ANLEITUNG SORGFÄLTIG AUF.

⚠️ WARNUNG:

Lassen Sie sich NICHT durch Bequemlichkeit oder Vertrautheit mit dem Produkt (durch wiederholten Gebrauch erworben) von der strikten Einhaltung der Sicherheitsregeln für das vorliegende Produkt abhalten. MISSBRAUCH oder Missachtung der Sicherheitsvorschriften in dieser Anleitung können schwere Verletzungen verursachen.

FUNKTIONSBESCHREIBUNG

⚠️ VORSICHT:

- Vergewissern Sie sich vor jeder Einstellung oder Funktionsprüfung der Maschine stets, dass sie ausgeschaltet und vom Stromnetz getrennt ist.

Spindelarretierung (Abb. 1)

⚠️ VORSICHT:

- Betätigen Sie die Spindelarretierung niemals bei rotierender Spindel. Die Maschine kann sonst beschädigt werden.

Drücken Sie die Spindelarretierung, um die Spindel zum Montieren oder Demontieren von Zubehör zu blockieren.

Schalterfunktion (Abb. 2)

⚠️ VORSICHT:

- Vergewissern Sie sich vor dem Anschließen der Maschine stets, dass der Schiebeschalter ordnungsgemäß funktioniert und beim Drücken der Rückseite in die AUS-Stellung zurückkehrt.
- Der Schalter kann zur Arbeitserleichterung bei längerem Einsatz in der EIN-Stellung verriegelt werden. Lassen Sie Vorsicht walten, wenn Sie den Schalter in der EIN-Stellung verriegeln, und halten Sie die Maschine mit festem Griff.

Zum Einschalten der Maschine schieben Sie den Schalter auf die Position "I (EIN)", indem Sie die Rückseite des Schiebeschalters drücken. Für Dauerbetrieb rasten Sie den Schalter durch Drücken seiner Vorderseite ein.

Zum Ausschalten des Werkzeugs die Rückseite des Schiebeschalters drücken, und dann den Schalter auf die Stellung "O (AUS)" schieben.

Anzeigelampe (Abb. 3)

Die Anzeigelampe leuchtet grün auf, wenn die Maschine angeschlossen wird. Leuchtet die Anzeigelampe nicht auf, ist möglicherweise das Netzkabel oder die Steuerschaltung defekt. Läuft die Maschine trotz leuchtender Lampe nicht an, wenn sie eingeschaltet wird, sind möglicherweise die Kohlebürsten abgenutzt, oder die Steuerschaltung, der Motor oder der EIN/AUS-Schalter ist defekt.

Schutz vor ungewolltem Neustart

Die Maschine läuft bei gesperrtem Schalter nicht an, selbst wenn der Netzstecker eingesteckt ist.

In diesem Fall blinkt die Anzeigelampe rot, um anzuzeigen, dass die Schutzvorrichtung zur Verhinderung eines ungewollten Neustarts aktiviert ist.

Um den Schutz vor ungewolltem Neustart aufzuheben, stellen Sie den Schiebeschalter wieder auf die Position "O (AUS)".

Drehzahl-Stellrad (Abb. 4)

Die Drehzahl kann durch Drehen des Drehzahl-Stellrads auf eine der Stufen von 1 bis 5 geändert werden.

Durch Drehen des Stellrads in Richtung der Stufe 5 wird die Drehzahl erhöht. Durch Drehen des Stellrads in Richtung der Stufe 1 wird die Drehzahl verringert.

Die ungefähren Drehzahlen für die einzelnen Stellrad-Positionen sind aus der nachstehenden Tabelle ersichtlich.

Nummer	min ⁻¹ (R.P.M.)
1	2 000
2	3 000
3	4 000
4	5 500
5	7 800

012757

⚠ VORSICHT:

- Wird die Maschine über längere Zeitspannen im Dauerbetrieb mit niedriger Drehzahl betrieben, wird der Motor überlastet und überhitzt.
- Das Drehzahl-Stellrad lässt sich nur bis 5 und zurück auf 1 drehen. Wird es gewaltsam über 5 oder 1 hinaus gedreht, lässt sich die Drehzahl möglicherweise nicht mehr einstellen.

Elektronikfunktionen

Die mit Elektronikfunktionen ausgestatteten Maschinen weisen die folgenden Merkmale zur Bedienungserleichterung auf.

Konstantdrehzahlregelung

Konstantdrehzahlregelung liefert feine Oberflächengüte, indem die Drehzahl auch unter Belastung konstant gehalten wird.

Soft-Start-Funktion

Die Soft-Start-Funktion unterdrückt den Anlaufstoß.

Überlastschalter

Wenn die Belastung der Maschine das zulässige Maß überschreitet, wird die Motorleistung reduziert, um den Motor vor Überhitzung zu schützen. Sobald die Belastung auf zulässige Werte abfällt, arbeitet die Maschine wieder normal.

MONTAGE

⚠ VORSICHT:

- Vergewissern Sie sich vor der Ausführung von Arbeiten an der Maschine stets, dass sie ausgeschaltet und vom Stromnetz getrennt ist.

Montieren des Seitengriffs (Zusatzgriffs) (Abb. 5 und 6)

⚠ VORSICHT:

- Vergewissern Sie sich vor dem Betrieb stets, dass der Seitengriff einwandfrei montiert ist.

Entfernen Sie eine der Schrauben, mit denen die Kopfabdeckung befestigt ist. Schrauben Sie dann den Seitengriff in die Gewindebohrung.

Montieren von Schleifteller und Schleifpapier (Abb. 7 und 8)

Den Schleifteller von jeglichem Schmutz oder Fremdkörpern säubern.

Den Schleifteller bei gedrückter Spindelarretierung auf die Spindel schrauben.

Die Schleifpapier auf der Mitte des Schleiftellers anbringen. Achten Sie darauf, dass der Schleifteller innerhalb des Rands der Schleifscheibe liegt.

Zum Entfernen der Schleifpapier lösen Sie ihre Kante vom Schleifteller ab.

BEI VERWENDUNG ALS WINKELSCHLEIFER (Abb. 9, 10 und 11)

Soll die Maschine als Winkelschleifer verwendet werden, die Kopfabdeckung entfernen, dann den Seitengriff und eine optionale Schutzhaube montieren.

Die Schrauben lösen, und die Kopfabdeckung entfernen.

Schrauben Sie den Seitengriff an der in der Abbildung gezeigten Position fest an die Maschine.

⚠ VORSICHT:

- Vergewissern Sie sich vor dem Betrieb stets, dass der Seitengriff einwandfrei montiert ist.

Montieren und Demontieren der Schutzhaube (für gekröpfte Trennschleifscheibe, Fächerschleifscheibe, Flexscheibe, Rotordrahtbürste / Trennschleifscheibe, Diamantscheibe (Sonderzubehör) (Abb. 12, 13 und 14)

⚠ WARNUNG:

- Wenn Sie eine gekröpfte Trennschleifscheibe, Fächerschleifscheibe, Flexscheibe oder Rotordrahtbürste benutzen, muss die Schutzhaube so am Werkzeug angebracht werden, dass ihre geschlossene Seite immer zum Bediener gerichtet ist.
- Benutzen Sie beim Arbeiten mit einer Trennschleifscheibe/Diamantscheibe nur die spezielle Schutzhaube, die für den Einsatz mit Trennscheiben ausgelegt ist. (In manchen europäischen Ländern kann bei Verwendung einer Diamantscheibe die gewöhnliche Schutzhaube benutzt werden. Befolgen Sie die Vorschriften in Ihrem Land.)

Für Maschine mit Schutzhaube des Sicherungsschraubentyps

Montieren Sie die Schutzhaube so, dass die Vorsprünge am Schutzhaubenring auf die Nuten im Lagergehäuse ausgerichtet sind. Drehen Sie dann die Schutzhaube um 180° entgegen dem Uhrzeigersinn. Ziehen Sie die Schraube fest an.

Zum Demontieren der Schutzhaube ist das Montageverfahren umgekehrt anzuwenden.

Für Maschine mit Schutzhaube des Spannhebeltyps
Ziehen Sie den Hebel nach dem Lösen der Schraube in Pfeilrichtung. Montieren Sie die Schutzhaube so, dass die Vorsprünge am Schutzhaubenring auf die Nuten im Lagergehäuse ausgerichtet sind. Drehen Sie dann die Schutzhaube um 180°.

Sichern Sie die Schutzhaube durch Anziehen der Schraube, nachdem Sie den Hebel in Pfeilrichtung gezogen haben. Der Einstellwinkel der Schutzhaube kann mit dem Hebel eingestellt werden.

Zum Demontieren der Schutzhaube ist das Montageverfahren umgekehrt anzuwenden.

Montieren oder Demontieren einer gekröpften Trennschleifscheibe oder Fächerschleifscheibe (Sonderzubehör) (Abb. 15 und 16)

⚠️ WARNUNG:

- Wenn Sie eine gekröpfte Trennschleifscheibe oder Fächerschleifscheibe benutzen, muss die Schutzhaube so an der Maschine angebracht werden, dass ihre geschlossene Seite immer zum Bediener gerichtet ist.

Befestigen Sie den Innenflansch an der Spindel. Passen Sie die Trenn-/Schleifscheibe auf den Innenflansch, und schrauben Sie die Sicherungsmutter auf die Spindel.

Zum Anziehen der Sicherungsmutter die Spindelarreterierung drücken, um die Spindel zu blockieren; dann die Mutter mit dem Sicherungsmutterschlüssel im Uhrzeigersinn anziehen. Zum Demontieren der Schleifscheibe ist das Montageverfahren umgekehrt anzuwenden.

Superflansch (Sonderzubehör)

Modelle mit dem Buchstaben F sind standardmäßig mit einem Superflansch ausgestattet. Im Gegensatz zum herkömmlichen Typ wird nur 1/3 des Kraftaufwands zum Lösen der Sicherungsmutter benötigt.

⚠️ VORSICHT:

- Benutzen Sie keinen Superflansch für Modelle mit mechanischer Bremse. Anderenfalls kann er sich bei Betätigung der Bremse lockern.

Montieren und Demontieren der Ezynut (Sonderzubehör) (Abb. 17, 18, 19 und 20)

⚠️ VORSICHT:

- Benutzen Sie die Ezynut nicht mit einem Superflansch oder einem Winkelschleifer mit "F" am Ende der Modell-Nr. Diese Flansche sind so dick, dass das ganze Gewinde nicht von der Spindel gehalten werden kann.

Innenflansch, Schleifscheibe und Ezynut so auf die Spindel montieren, dass das Makita-Logo auf der Ezynut nach außen weist.

Die Spindelarreterierung fest drücken und die Ezynut anziehen. Dazu die Schleifscheibe bis zum Anschlag im Uhrzeigersinn drehen.

Den Außenring der Ezynut zum Lösen entgegen dem Uhrzeigersinn drehen.

HINWEIS:

- Die Ezynut kann von Hand gelöst werden, solange der Pfeil auf die Kerbe gerichtet ist. Anderenfalls wird zum Lösen ein Sicherungsmutterschlüssel benötigt. Einen Stift des Schlüssels in ein Loch einführen, und die Ezynut entgegen dem Uhrzeigersinn drehen.

Montieren oder Demontieren einer Flexscheibe (Sonderzubehör) (Abb. 21)

⚠️ WARNUNG:

- Benutzen Sie immer die mitgelieferte Schutzhaube, wenn eine Flexscheibe an der Maschine montiert ist. Die Schutzhaube reduziert die Verletzungsgefahr, falls der Rotor während des Betriebs zerbricht.

Folgen Sie den Anweisungen für eine gekröpfte Trennschleifscheibe, aber benutzen Sie auch eine Kunststoffscheibe auf der Schleifscheibe. Die Montagereihenfolge ist auf der Zubehörseite in dieser Anleitung ersichtlich.

Montieren oder Demontieren einer Schleifscheibe (Sonderzubehör) (Abb. 22)

HINWEIS:

- Verwenden Sie die in dieser Anleitung angegebenen Schleifer-Zubehörteile. Diese Teile müssen getrennt gekauft werden.

Den Gummiteller an der Spindel befestigen. Die Schleifscheibe auf den Gummiteller passen, und die Schleifscheiben-Sicherungsmutter auf die Spindel schrauben. Zum Anziehen der Schleifscheiben-Sicherungsmutter die Spindelarreterierung fest drücken, um die Spindel zu blockieren; dann die Mutter mit dem Sicherungsmutterschlüssel im Uhrzeigersinn anziehen. Zum Demontieren der Schleifscheibe ist das Montageverfahren umgekehrt anzuwenden.

Anbringen oder Abnehmen des Staubfängers (Sonderzubehör) (Abb. 23)

⚠️ WARNUNG:

- **Vergewissern Sie sich vor der Montage oder Demontage des Staubfängers stets, dass die Maschine ausgeschaltet und vom Stromnetz getrennt ist.** Anderenfalls kann es zu einer Beschädigung der Maschine oder Verletzungen kommen.

Es gibt vier verschiedene Staubfänger, die in verschiedenen Positionen verwendet werden.

Den Staubfänger so anbringen, dass die Markierung (A, B, C oder D) wie gezeigt platziert ist. Die Stifte in die Lüftungsschlitze einrasten.

Der Staubfänger kann von Hand abgenommen werden.

HINWEIS:

- Reinigen Sie den Staubfänger, wenn er mit Staub oder Fremdkörpern zugesezt ist. Fortgesetzter Betrieb mit verstopftem Staubfänger führt zu einer Beschädigung der Maschine.

BETRIEB

WARNUNG:

- Die Maschine darf auf keinen Fall gewaltsam angedrückt werden. Das Eigengewicht der Maschine übt ausreichenden Druck aus. Gewaltanwendung und übermäßiger Druck können zu einem gefährlichen Schleifscheibenbruch führen.
- Wechseln Sie die Schleifscheibe IMMER aus, falls die Maschine während der Schleifarbeit fallen gelassen wurde.
- Eine Schleif- oder Trennscheibe darf NIEMALS gegen das Werkstück geschlagen oder gestoßen werden.
- Achten Sie besonders beim Bearbeiten von Ecken, scharfen Kanten usw. darauf, dass die Schleifscheibe nicht springt oder hängen bleibt. Dies könnte den Verlust der Kontrolle und Rückschläge verursachen.
- Verwenden Sie die Maschine NIEMALS mit Holz- und anderen Sägeblättern. Solche Sägeblätter verursachen bei Verwendung an einer Schleifmaschine häufiges Rückschlagen und Verlust der Kontrolle, was zu Verletzungen führen kann.

VORSICHT:

- Schalten Sie die Maschine niemals ein, wenn sie mit dem Werkstück in Berührung ist, weil sonst Verletzungsgefahr für die Bedienungsperson besteht.
- Tragen Sie bei der Arbeit stets eine Schutzbrille oder einen Gesichtsschutz.
- Schalten Sie die Maschine nach der Arbeit stets aus, und warten Sie, bis die Schleifscheibe zum völligen Stillstand gekommen ist, bevor Sie die Maschine ablegen.

Schleif- und Schmirgelbetrieb (Abb. 24)

Halten Sie die Maschine IMMER fest mit einer Hand am Gehäuse und mit der anderen am Seitengriff. Berühren Sie nicht die Metallteile. Schalten Sie die Maschine ein, und setzen Sie dann die Trenn- oder Schleifscheibe an das Werkstück an.

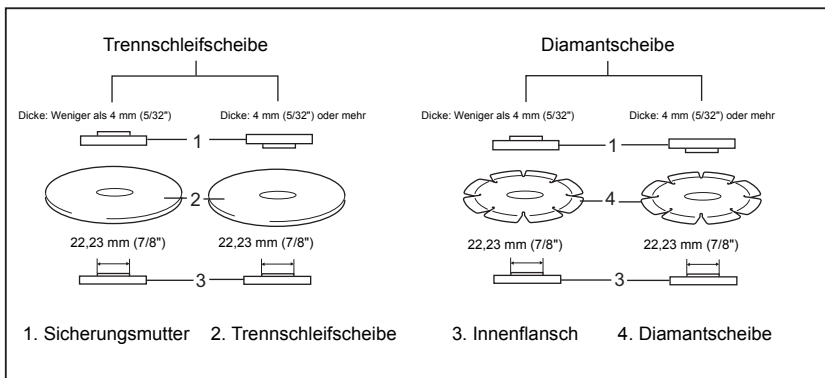
Halten Sie die Trenn- oder Schleifscheibe im Allgemeinen in einem Winkel von etwa 15° zur Werkstückoberfläche.

Bewegen Sie die Schleifmaschine beim Einschleifen einer neuen Schleifscheibe nicht in Richtung B, weil die Schleifscheibe sonst in das Werkstück einschneidet. Sobald die Schleifscheibenkante durch Gebrauch abgerundet ist, kann die Schleifscheibe sowohl in Richtung A als auch in Richtung B bewegt werden.

Betrieb mit Trennschleifscheibe / Diamantscheibe (Sonderzubehör) (Abb. 25)

Die Montagerichtung der Sicherungsmutter und des Innenflansches hängt von der Scheibendicke ab.

Siehe die nachstehende Tabelle.



011644

⚠️ **WARNUNG:**

- Benutzen Sie beim Arbeiten mit einer Trennschleifscheibe/Diamantscheibe nur die spezielle Schutzhaube, die für den Einsatz mit Trennscheiben ausgelegt ist. (In manchen europäischen Ländern kann bei Verwendung einer Diamantscheibe die gewöhnliche Schutzhaube benutzt werden. Befolgen Sie die Vorschriften in Ihrem Land.)
- Benutzen Sie Trennscheiben NIEMALS für Seitenschleifen.
- Vermeiden Sie "Verkanten" der Trennscheibe oder die Ausübung übermäßigen Drucks. Versuchen Sie nicht, übermäßig tiefe Schnitte zu machen. Überbeanspruchung der Trennscheibe erhöht die Belastung und die Empfänglichkeit für Verdrehen oder Klemmen der Trennscheibe im Schnitt sowie die Möglichkeit von Rückschlag, Scheibenbruch und Überhitzung des Motors.
- Starten Sie den Schnittbetrieb nicht mit im Werkstück sitzender Trennscheibe. Warten Sie, bis die Trennscheibe ihre volle Drehzahl erreicht hat, bevor Sie sie vorsichtig in den Schnitt senken und die Maschine über die Werkstückoberfläche vorschieben. Wird das Elektrowerkzeug mit im Werkstück sitzender Trennscheibe eingeschaltet, kann die Trennscheibe klemmen, hochsteigen oder zurückschlagen.
- Ändern Sie während der Schneidarbeiten niemals den Winkel der Trennscheibe. Die Ausübung von Seitendruck auf die Trennscheibe (wie beim Schleifen) verursacht Reißen und Brechen der Trennscheibe, was schwere Verletzungen zur Folge haben kann.
- Eine Diamantscheibe muss senkrecht zum Werkstückmaterial angesetzt werden.

Betrieb mit Topfdrabtbürste (Sonderzubehör) (Abb. 26)

⚠️ **VORSICHT:**

- Überprüfen Sie den Betrieb der Bürste, indem Sie die Maschine bei Nulllast laufen lassen und sicherstellen, dass sich niemand vor der Bürste oder in ihrer Linie befindet.
- Verwenden Sie keine beschädigte oder unausgewuchtete Bürste. Bei Verwendung einer beschädigten Bürste ist das Verletzungspotential durch Kontakt mit gebrochenen Bürstendrähten größer.

Trennen Sie die Maschine vom Stromnetz, und legen Sie sie umgedreht hin, um leichten Zugang zur Spindel zu ermöglichen. Entfernen Sie sämtliches Zubehör von der Spindel. Schrauben Sie die Topfdrabtbürste auf die Spindel, und ziehen Sie sie mit dem mitgelieferten Schraubenschlüssel fest. Vermeiden Sie bei Verwendung einer Bürste übermäßige Druckausübung, die Verbiegung der Drähte verursacht, was zu vorzeitiger Beschädigung führt.

Betrieb mit Rotordrabtbürste (Sonderzubehör) (Abb. 27)

⚠️ **VORSICHT:**

- Überprüfen Sie den Betrieb der Rotordrabtbürste, indem Sie die Maschine bei Nulllast laufen lassen und sicherstellen, dass sich niemand vor der Rotordrabtbürste oder in ihrer Linie befindet.
- Verwenden Sie keine beschädigte oder unausgewuchtete Rotordrabtbürste. Bei Verwendung einer beschädigten Rotordrabtbürste ist das Verletzungspotential durch Kontakt mit gebrochenen Bürstendrähten größer.
- Verwenden Sie Rotordrabtbürsten IMMER mit einer Schutzhaube, die groß genug für den Rotordurchmesser ist. Die Schutzhaube reduziert die Verletzungsgefahr, falls der Rotor während des Betriebs zerbricht.

Trennen Sie die Maschine vom Stromnetz, und legen Sie sie umgedreht hin, um leichten Zugang zur Spindel zu ermöglichen. Entfernen Sie sämtliches Zubehör von der Spindel. Die Rotordrahtbürste auf die Spindel schrauben und mit den Schraubenschlüsseln festziehen. Vermeiden Sie bei Verwendung einer Rotordrahtbürste übermäßige Druckausübung, die Verbiegung der Drähte verursacht, was zu vorzeitiger Beschädigung führt.

WARTUNG

VORSICHT:

- Denken Sie vor der Durchführung von Überprüfungen oder Wartungsarbeiten stets daran, die Maschine auszuschalten und vom Stromnetz zu trennen.
- Verwenden Sie auf keinen Fall Benzin, Benzol, Verdünner, Alkohol oder dergleichen. Solche Mittel können Verfärbung, Verformung oder Rissbildung verursachen.

Halten Sie die Maschine und ihre Ventilationsöffnungen stets sauber. Reinigen Sie die Ventilationsöffnungen der Maschine regelmäßig oder im Anfangsstadium einer Verstopfung. (**Abb. 28**)

Um die SICHERHEIT und ZUVERLÄSSIGKEIT dieses Produkts aufrechtzuerhalten, sollten Reparaturen, Überprüfung und Austausch der Kohlebürsten und andere Wartungs- oder Einstellarbeiten nur von Makita-Kundendienstzentren unter ausschließlicher Verwendung von Makita-Originalersatzteilen ausgeführt werden.

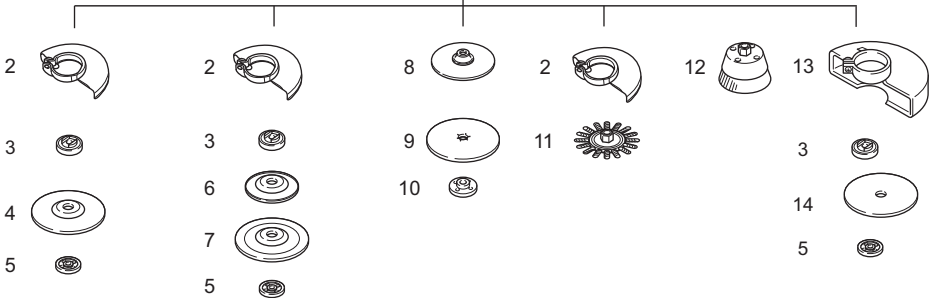
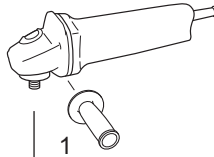
SONDERZUBEHÖR

VORSICHT:

- Die folgenden Zubehörteile oder Vorrichtungen werden für den Einsatz mit der in dieser Anleitung beschriebenen Makita-Maschine empfohlen. Die Verwendung anderer Zubehörteile oder Vorrichtungen kann eine Verletzungsgefahr darstellen. Verwenden Sie Zubehörteile oder Vorrichtungen nur für ihren vorgesehenen Zweck.

Wenn Sie weitere Einzelheiten bezüglich dieser Zubehörteile benötigen, wenden Sie sich bitte an Ihre Makita-Kundendienststelle.

- Schleifpapier
- Staubfänger



	115 mm (4-1/2")-Modell	125 mm (5")-Modell
1	Griff 36	
2	Schutzhaube (für Schleifscheibe)	
3	Innenflansch 42 Superflansch 47 *1	
4	Gekrüpfte Trennschleifscheibe/Fächerschleifscheibe	
5	Sicherungsmutter 14-45 Ezynut *2	
6	Kunststoffscheibe	
7	Flexscheibe	
8	Gummiteller 100	Gummiteller 115
9	Schleifpapier	
10	Schleifscheiben-Sicherungsmutter 14-48	
11	Rotordrahtbürste	
12	Topfdrahtbürste	
13	Schutzhaube (für Trennschleifscheibe) *3	
14	Trennschleifscheibe/Diamantscheibe	
-	Sicherungsmutterschlüssel 35	

Hinweis:

*1 Keinen Superflansch an einer Schleifmaschine mit Bremsfunktion verwenden.

*2 Verwenden Sie Superflansch und Ezynut nicht zusammen.

*3 In manchen europäischen Ländern kann bei Verwendung einer Diamantscheibe die gewöhnliche Schutzhaube anstelle der Spezialschutzhaube verwendet werden, die beide Seiten der Schleifscheibe abdeckt. Befolgen Sie die Vorschriften in Ihrem Land.

012987

HINWEIS:

- Manche Teile in der Liste können als Standardzubehör im Werkzeugsatz enthalten sein. Sie können von Land zu Land unterschiedlich sein.

Geräusch

Typischer A-bewerteter Geräuschpegel ermittelt gemäß EN60745:

Schalldruckpegel (L_{pA}): 84 dB (A)
 Schalleistungspegel (L_{WA}): 95 dB (A)
 Ungewissheit (K): 3 dB (A)

Gehörschutz tragen

ENG900-1

Vibration

Vibrationsgesamtwert (Drei-Achsen-Vektorsumme) ermittelt gemäß EN60745:

Arbeitsmodus: Scheibenschleifen mit vibrationsfestem Seitengriff
 Vibrationsemission ($a_{h, DS}$): 2,5 m/s² oder weniger
 Ungewissheit (K): 1,5 m/s²

Arbeitsmodus: Scheibenschleifen mit normalem Seitengriff
 Vibrationsemission ($a_{h, DS}$): 2,5 m/s² oder weniger
 Ungewissheit (K): 1,5 m/s²

Arbeitsmodus: Oberflächenschleifen mit vibrationsfestem Seitengriff
 Vibrationsemission ($a_{h, AG}$): 4,0 m/s²
 Ungewissheit (K): 1,5 m/s²

Arbeitsmodus: Oberflächenschleifen mit normalem Seitengriff
 Vibrationsemission ($a_{h, AG}$): 5,0 m/s²
 Ungewissheit (K): 1,5 m/s²

ENG902-1

- Der angegebene Vibrationsemissionswert wurde im Einklang mit der Standardprüfmethode gemessen und kann für den Vergleich zwischen Maschinen herangezogen werden.
- Der angegebene Vibrationsemissionswert kann auch für eine Vorbewertung des Gefährdungsgrads verwendet werden.
- Der angegebene Vibrationsemissionswert wird für Hauptanwendungen des Elektrowerkzeugs verwendet. Wird das Elektrowerkzeug jedoch für andere Anwendungen verwendet, kann der Vibrationsemissionswert abweichen.

⚠️ WARNUNG:

- Die Vibrationsemission während der tatsächlichen Benutzung des Elektrowerkzeugs kann je nach der Benutzungsweise der Maschine vom angegebenen Emissionswert abweichen.
- Identifizieren Sie Sicherheitsmaßnahmen zum Schutz des Benutzers anhand einer Schätzung des Gefährdungsgrads unter den tatsächlichen Benutzungsbedingungen (unter Berücksichtigung aller Phasen des Arbeitszyklus, wie z. B. Ausschalt- und Leerlaufzeiten der Maschine zusätzlich zur Betriebszeit).

Nur für europäische Länder**EG-Übereinstimmungserklärung**

Makita erklärt, dass die folgende(n) Maschine(n):

Bezeichnung der Maschine:

Rotations Schleifer

Modell-Nr./ Typ: SA5040C

den folgenden europäischen Richtlinien entsprechen:

2006/42/EG

gemäß den folgenden Standards oder standardisierten Dokumenten hergestellt werden:

EN60745

Die technische Akte in Übereinstimmung mit 2006/42/EG ist erhältlich von:

Makita, Jan-Baptist Vinkstraat 2, 3070, Belgien

1.2.2016



Yasushi Fukaya
 Direktor

Makita, Jan-Baptist Vinkstraat 2, 3070, Belgien

Visione generale

1 Blocco albero	12 Scatola cuscinetto	25 Platorello di gomma
2 Interruttore laterale	13 Leva	26 Contrassegno A
3 Spia (manopola di regolazione della velocità)	14 Controdado	27 Contrassegno B
4 Manopola di regolazione della velocità	15 Disco con centro depresso	28 Contrassegno C
5 Vite	16 Flangia interna	29 Contrassegno D
6 Disco abrasivo	17 Chiave controdadi	30 Disco troncatore abrasivo/disco diamantato
7 Platorello	18 Ezynut	31 Protezione per disco troncatore abrasivo/disco diamantato
8 Mandrino	19 Disco abrasivo	32 Spazzola metallica a tazza
9 Coperchio disco	20 Freccia	33 Spazzola metallica a disco
10 Alloggiamento ingranaggio	21 Tacca	34 Apertura di ventilazione
11 Protezione disco	22 Disco flessibile	35 Apertura di aspirazione
	23 Platorello di plastica	
	24 Controdado carteggiatura	

DATI TECNICI

Modello	SA5040C
Diametro disco abrasivo	125 mm
Diametro disco	115 mm o 125 mm (a seconda della protezione disco opzionale)
Spessore massimo disco	6,4 mm
Filettatura mandrino	M14
Velocità nominale (n) / Velocità senza carico (n ₀)	7.800 min ⁻¹
Lunghezza totale	315 mm
Peso netto	2,2 kg
Classe di sicurezza	□/II

GEB097-3

- Per il nostro programma di ricerca e sviluppo continui, i dati tecnici sono soggetti a modifiche senza preavviso.
- I dati tecnici potrebbero differire a seconda del paese di destinazione del modello.
- Peso in base alla procedura EPTA 01/2003

ENE094-1

Uso previsto

Questo utensile è progettato per la smerigliatura, la carteggiatura e il taglio di materiali metallici e in pietra, senza l'utilizzo di acqua. Per la smerigliatura e la troncatura è necessario montare le protezioni dischi appropriate.

ENF002-2

Alimentazione

L'utensile deve essere collegato ad una presa di corrente con la stessa tensione indicata sulla targhetta del nome, e può funzionare soltanto con la corrente alternata monofase. Esso ha un doppio isolamento per cui può essere usato con le prese di corrente sprovviste della messa a terra.

GEA010-1

Avvertimenti generali per la sicurezza dell'utensile elettrico

⚠ AVVERTIMENTO Leggere tutti gli avvertimenti per la sicurezza e le istruzioni. La mancata osservanza degli avvertimenti e delle istruzioni può causare scosse elettriche, incendio e/o gravi incidenti.

Conservare tutti gli avvertimenti e le istruzioni per riferimenti futuri.

AVVERTIMENTI PER LA SICUREZZA DELLA LEVIGATRICE/SMERIGLIATRICE

Avvertimenti per la sicurezza per le normali operazioni di smerigliatura, carteggiatura, spazzolatura metallica o taglio abrasivo:

1. **Questo utensile elettrico è progettato per la smerigliatura, la carteggiatura, la spazzolatura metallica o il taglio. Leggere tutti gli avvertimenti per la sicurezza, le istruzioni, le illustrazioni e le specifiche forniti con questo utensile elettrico.** La mancata osservanza di tutte le istruzioni seguenti potrebbe causare scosse elettriche, incendi e/o seri incidenti.
2. **Con questo utensile elettrico si sconsigliano le operazioni quali la lucidatura.** Le operazioni per le quali questo utensile elettrico non è stato progettato possono creare pericoli e causare incidenti.
3. **Non si devono usare accessori che non sono stati designati e consigliati appositamente dal produttore dell'utensile.** Anche se un accessorio può essere attaccato a questo utensile elettrico, esso non garantisce il funzionamento sicuro.
4. **La velocità nominale dell'accessorio deve essere almeno uguale alla velocità massima indicata sull'utensile elettrico.** Gli accessori che girano a una velocità maggiore di quella nominale possono rompersi e volare via.

5. **Il diametro esterno e lo spessore dell'accessorio devono essere entro la taratura nominale dell'utensile elettrico.** Gli accessori con le dimensioni sbagliate non possono essere adeguatamente protetti o controllati.
6. **Il montaggio filettato degli accessori deve essere uguale alla filettatura del mandrino della smerigliatrice. Per gli accessori montati con le flange, il foro dell'albero dell'accessorio deve entrare nel diametro di posizionamento della flangia.** Gli accessori non compatibili con l'hardware di montaggio perdono il bilanciamento, vibrano eccessivamente e possono causare la perdita di controllo dell'utensile.
7. **Non si deve usare un accessorio danneggiato.** Prima di ciascun utilizzo, ispezionare che l'accessorio, come i dischi abrasivi, non presenti scheggiature e crepe, che i tamponi di rinforzo non mostrino crepe, lacerazioni o usura eccessiva, le spazzole metalliche non abbiano fili di ferro allentati o spezzati. Se l'utensile elettrico o l'accessorio è caduto, controllare se è danneggiato o installare un accessorio non danneggiato. Dopo l'ispezione e l'installazione di un accessorio, posizionarsi e tenere gli astanti lontani dal piano dell'accessorio rotante e far girare l'utensile elettrico al massimo senza carico per un minuto. Gli accessori danneggiati si rompono generalmente durante questo periodo di prova.
8. **Indossare l'equipaggiamento di protezione. A seconda del lavoro, usare uno schermo per il viso, occhiali di protezione od occhiali di sicurezza. Secondo il necessario, indossare una mascherina antipolvere, protezioni per le orecchie, guanti e grembiule di lavoro in grado di fermare piccoli frammenti abrasivi o schegge del pezzo.** Gli occhiali di protezione devono poter fermare i frammenti volanti prodotti dalle varie operazioni. La mascherina antipolvere o respiratore devono essere capaci di filtrare le particelle generate dal lavoro. L'esposizione prolungata al rumore di alta intensità potrebbe causare la perdita dell'udito.
9. **Tenere gli astanti a una distanza di sicurezza dall'area di lavoro. Chiunque entri nell'area di lavoro deve indossare l'equipaggiamento personale di protezione.** I frammenti del pezzo o di un accessorio che si rompe potrebbero volare via causando incidenti fuori dall'area immediata del lavoro.
10. **Tenere l'utensile elettrico soltanto per le superfici di presa isolate quando si esegue una operazione in cui l'accessorio di taglio potrebbe fare contatto con fili elettrici nascosti o con il cavo di alimentazione dell'utensile.** L'accessorio di taglio che fa contatto con un filo elettrico "sotto tensione" potrebbe mettere "sotto tensione" le parti metalliche esposte dell'utensile elettrico, e dare una scossa all'operatore.
11. **Posizionare il cavo di alimentazione dell'utensile discosto dall'accessorio che gira.** Se si perde il controllo dell'utensile, il cavo potrebbe essere tagliato o rimanere impigliato, e la mano o il braccio potrebbero essere attirati nell'accessorio che gira.
12. **Non si deve mai posare l'utensile elettrico finché l'accessorio non si è fermato completamente.** L'accessorio che gira potrebbe fare presa sulla superficie causando la perdita di controllo dell'utensile elettrico.
13. **Non si deve far funzionare l'utensile elettrico mentre lo si trasporta sul proprio fianco.** Il contatto accidentale con l'accessorio che gira potrebbe fare presa sul vestito spingendo l'accessorio nel corpo.
14. **Pulire regolarmente le aperture di ventilazione dell'utensile elettrico.** La ventola del motore attira la polvere all'interno dell'alloggiamento, e l'accumulazione eccessiva della polvere di metallo potrebbe causare pericoli elettrici.
15. **Non si deve far funzionare l'utensile elettrico vicino a materiali infiammabili,** perché le scintille potrebbero incendiarli.
16. **Non si devono usare accessori che richiedono refrigeranti liquidi.** L'impiego di acqua o di altri refrigeranti liquidi potrebbe causare elettrocuzione o scosse elettriche.

Contraccolpi e relativi avvertimenti

Il contraccolpo è una improvvisa reazione a un disco rotante incastrato od ostacolato, tampone di rinforzo, spazzola o a qualsiasi altro accessorio. L'incastramento o l'ostacolazione causano il rapido stallo dell'accessorio rotante, che a sua volta causa la spinta dell'utensile elettrico senza controllo nella direzione opposta della rotazione dell'accessorio sul punto dell'inceppamento.

Per esempio, se un disco abrasivo viene ostacolato o incastrato dal pezzo, il filo del disco che entra nel punto di incastramento può penetrare nella superficie del materiale causando la fuoriuscita o il contraccolpo del disco. Il disco potrebbe rimbalzare verso l'operatore o lontano da esso, a seconda della direzione del movimento del disco sul punto di inceppamento. In queste condizioni, i dischi abrasivi potrebbero anche rompersi.

Il contraccolpo è il risultato dell'uso sbagliato dell'utensile elettrico e/o delle procedure o condizioni sbagliate di funzionamento, e può essere evitato prendendo le precauzioni appropriate come indicato di seguito.

- a) **Tenere saldamente l'utensile elettrico e posizionare il corpo e le braccia in modo da poter resistere alla forza del contraccolpo.** Per il massimo controllo del contraccolpo o della reazione alla coppia di avviamento, usare sempre il manico ausiliario, se fornito. Prendendo le precauzioni appropriate, l'operatore può controllare la reazione alla coppia di avviamento e la forza del contraccolpo.
- b) **Non si devono mai mettere le mani vicino all'accessorio rotante.** Si potrebbe verificare un contraccolpo dell'accessorio sulle mani.
- c) **Non si deve posizionare il corpo nell'area di spostamento dell'utensile elettrico se si verifica un contraccolpo.** Il contraccolpo spinge l'utensile nella direzione opposta al movimento del disco sul punto dell'inceppamento.
- d) **Fare particolarmente attenzione lavorando gli angoli, i bordi affilati, ecc. Evitare di far rimbalzare o di ostacolare l'accessorio.** Gli angoli, i bordi affilati o i rimbalzi tendono a inceppare l'accessorio rotante causando una perdita di controllo o un contraccolpo.

- e) **Non si devono attaccare una lama di intaglio del legno per sega a catena o una lama dentata.** Tali lame causano frequenti contraccolpi e perdite di controllo.

Avvertimenti per la sicurezza specifici per le operazioni di smerigliatura e di taglio:

- a) **Usare soltanto tipi di dischi raccomandati per l'utensile elettrico e la protezione specifica progettata per il disco selezionato.** I dischi che non sono stati progettati per questo utensile elettrico non possono essere adeguatamente protetti e non sono sicuri.
- b) **La superficie di smerigliatura dei dischi con centro depresso deve essere montata sotto il piano del bordo della protezione.** Un disco montato in modo scorretto che sporge oltre il piano del bordo della protezione non può essere protetto adeguatamente.
- c) **La protezione deve essere attaccata saldamente all'utensile elettrico e posizionata per la massima sicurezza, in modo che una parte minima del disco sia esposta verso l'operatore.** La protezione aiuta a proteggere l'operatore dai frammenti dei dischi rotti, dal contatto accidentale con il disco e dalle scintille che potrebbero dare fuoco ai vestiti.
- d) **I dischi devono essere usati soltanto per le applicazioni raccomandate. Per esempio: non si deve smerigliare con il lato del disco di taglio.** I dischi di taglio abrasivi sono progettati per la smerigliatura periferica, e le forze laterali applicate a questi dischi potrebbero causarne la rottura.
- e) **Usare sempre flange per dischi non danneggiate delle dimensioni e forme corrette per il disco selezionato.** Le flange corrette supportano il disco, riducendo così la possibilità di una rottura del disco. Le flange per dischi di taglio potrebbero essere diverse dalle flange per dischi smerigliatori.
- f) **Non usare dischi usurati di utensili elettrici più grandi.** I dischi progettati per gli utensili elettrici più grandi non sono adatti alla velocità più alta di un utensile più piccolo, e potrebbero scoppiare.

Avvertimenti per la sicurezza supplementari specifici per le operazioni di taglio abrasivo:

- a) **Evitare di "inceppare" il disco diamantato o di applicarvi sopra una forza eccessiva. Non si deve cercare di fare una profondità di taglio eccessiva.** Una sollecitazione eccessiva sul disco aumenta il carico e la possibilità di un contraccolpo o di una rottura del disco.
- b) **Non posizionare il corpo sulla linea e dietro il disco che ruota.** Quando il disco, sul punto di lavorazione, si allontana dal corpo dell'operatore, il possibile contraccolpo potrebbe scagliare il disco che gira e l'utensile elettrico direttamente su di lui.

- c) **Quando il disco si inceppa o se il taglio si interrompe per un qualsiasi motivo, spegnere l'utensile elettrico e tenerlo fermo finché il disco non si è completamente arrestato. Non si deve mai cercare di rimuovere il disco diamantato dal taglio mentre è in movimento, perché altrimenti si potrebbe verificare un contraccolpo.** Controllare e procedere con una azione correttiva che elimini la causa dell'inceppamento del disco.
- d) **Non riavviare l'operazione di taglio nel pezzo. Lasciare che il disco raggiunga la velocità massima e rientrare con cura nel taglio.** Il disco potrebbe incepparsi, rialzarsi o fare un contraccolpo se si riavvia l'utensile elettrico nel pezzo.
- e) **Supportare i pannelli o qualsiasi pezzo di dimensioni molto grandi per minimizzare il rischio di inceppamento o di contraccolpo.** I grandi pezzi tendono a piegarsi sotto il loro stesso peso. I supporti devono essere sistemati sotto il pezzo vicino alla linea di taglio e vicino al bordo del pezzo su entrambi i lati del disco.
- f) **Usare precauzioni speciali per praticare un "taglio cavo" nelle pareti esistenti o altre aree cieche.** Il disco sporgente potrebbe tagliare i tubi del gas o dell'acqua, fili elettrici od oggetti che possono causare un contraccolpo.

Avvertimenti per la sicurezza specifici per le operazioni di smerigliatura:

- a) **Non si deve usare carta vetrata per un disco di dimensioni superiori a quelle normali. Seguire le raccomandazioni dei produttori per la selezione della carta vetrata.** La carta vetrata più grande che si estende oltre il tampone di smerigliatura presenta un rischio di lacerazione e potrebbe causare impigliamenti, strappi del disco o contraccolpi.

Avvertimenti per la sicurezza specifici per le operazioni di spazzolatura metallica:

- a) **Tenere presente che i fili di ferro vengono scagliati dalla spazzola anche durante il normale funzionamento. Non sollecitare eccessivamente i fili esercitando un carico eccessivo sulla spazzola.** I fili di ferro possono penetrare facilmente gli abiti leggeri e/o la pelle.
- b) **Se è raccomandato l'uso di una protezione per la spazzolatura metallica, evitare l'interferenza del disco o spazzola metallici con la protezione.** Il diametro del disco o spazzola metallici potrebbe espandersi a causa del carico di lavoro e delle forze centrifughe.

Avvertimenti per la sicurezza supplementari:

- 17. **Usando dischi smerigliatori con centro depresso, scegliere soltanto quelli rinforzati con fibra di vetro.**
- 18. **Con questa smerigliatrice NON SI DEVONO MAI USARE dischi del tipo a coppa di pietra.** Questa smerigliatrice non è progettata per questi tipi di dischi, e l'utilizzo di tali prodotti potrebbe causare seri incidenti.

19. Fare attenzione a non danneggiare il mandrino, la flangia (soprattutto la superficie di installazione) o il controdado. Se queste parti sono danneggiate, potrebbero causare la rottura del disco.
20. Accertarsi che il disco non faccia contatto con il pezzo prima dell'attivazione dell'interruttore.
21. Prima di usare l'utensile sul pezzo, lasciarlo girare per qualche momento. Controllare se ci sono vibrazioni od ondeggiamenti, che potrebbero indicare l'installazione scarsa del disco o un disco bilanciato male.
22. Usare la superficie specificata del disco per eseguire la smerigliatura.
23. Non lasciare solo l'utensile mentre funziona. Farlo funzionare soltanto tenendolo in mano.
24. Il pezzo non va toccato immediatamente dopo una operazione. Esso potrebbe essere estremamente caldo e causare bruciature.
25. Osservare le istruzioni del produttore per il corretto montaggio e utilizzo dei dischi. Maneggiare e conservare i dischi con cura.
26. Non usare boccole di riduzione o adattatori separati per montare dischi abrasivi con foro largo.
27. Usare soltanto le flange specificate per questo utensile.
28. Usando gli utensili su cui montare dischi con foro filettato, accertarsi che la filettatura del disco sia sufficientemente lunga da accettare la lunghezza del mandrino.
29. Accertarsi che il pezzo sia supportato correttamente.
30. Tenere presente che il disco continua a girare dopo che si è spento l'utensile.
31. Se l'ambiente di lavoro è estremamente caldo o umido, oppure contaminato da polvere conduttiva, usare un salvavita (30 mA) per la sicurezza.
32. Non usare l'utensile su materiali che contengono amianto.
33. Usando i dischi diamantati, lavorare sempre con la protezione disco raccolta polvere richiesta dalle norme locali.
34. I dischi di taglio non devono essere soggetti a pressioni laterali.
35. Non utilizzare guanti da lavoro in tessuto durante l'uso dell'utensile. Le fibre provenienti da guanti in tessuto potrebbero penetrare nell'utensile, causandone la rottura.

CONSERVARE QUESTE ISTRUZIONI.

⚠ AVVERTIMENTO:

NON lasciare che comodità o la familiarità d'utilizzo con il prodotto (acquisita con l'uso ripetuto) sostituisca la stretta osservanza delle norme di sicurezza. L'utilizzo SBAGLIATO o la mancata osservanza delle norme di sicurezza di questo manuale di istruzioni potrebbero causare lesioni serie.

DESCRIZIONE FUNZIONALE

⚠ ATTENZIONE:

- Accertarsi sempre che l'utensile sia spento e staccato dalla presa di corrente prima di regolarlo o di controllarne il funzionamento.

Blocco albero (Fig. 1)

⚠ ATTENZIONE:

- Non si deve mai usare il blocco albero mentre il mandrino è in movimento. Si potrebbe danneggiare l'utensile.

Premere il blocco albero per impedire la rotazione del mandrino quando si installano o si rimuovono gli accessori.

Funzionamento dell'interruttore (Fig. 2)

⚠ ATTENZIONE:

- Prima di collegare l'utensile alla presa di corrente, accertarsi sempre che l'interruttore scorrevole funzioni correttamente e che torni sulla posizione "OFF" quando si preme la parte posteriore dell'interruttore scorrevole.
- L'interruttore può essere bloccato sulla posizione "ON" per la comodità dell'operatore durante l'uso prolungato. Fare attenzione quando si blocca l'utensile sulla posizione "ON", e mantenere una presa salda su di esso.

Per avviare l'utensile, far scivolare l'interruttore scorrevole verso la posizione "I (ON)" spingendo la sua parte posteriore. Per il funzionamento continuo, premere la parte anteriore dell'interruttore scorrevole per bloccarlo.

Per arrestare l'utensile, premere la parte posteriore dell'interruttore scorrevole verso la posizione "O (OFF)".

Spia (Fig. 3)

La spia si accende in verde quando l'utensile è collegato alla presa di corrente. Se la spia non si illumina, il cavo di alimentazione o l'unità di controllo potrebbero essere difettosi. Se la spia è illuminata ma l'utensile non si avvia nonostante sia acceso, le spazzole di carbone potrebbero essere consumate, oppure l'unità di controllo, il motore o l'interruttore ON/OFF potrebbero essere difettosi.

Blocco dell'avvio involontario

L'utensile non si avvia con l'interruttore bloccato nella posizione di acceso nonostante sia collegato alla presa di corrente.

In queste condizioni la spia lampeggia in rosso per indicare l'attivazione del dispositivo di blocco dell'avvio involontario.

Per disattivare il blocco dell'avvio involontario, portare l'interruttore scorrevole nella posizione "O (OFF)".

Manopola di regolazione della velocità (Fig. 4)

La velocità di rotazione può essere regolata su un valore numerico da 1 a 5 mediante l'apposita manopola di regolazione.

Si ottiene una velocità maggiore girando la manopola nella direzione del numero 5. Si ottiene una velocità minore girando la manopola nella direzione del numero 1.

Per la relazione fra l'impostazione numerica della manopola e la velocità approssimata di rotazione fare riferimento alla tabella che segue.

Numero	min ⁻¹ (R.P.M.)
1	2.000
2	3.000
3	4.000
4	5.500
5	7.800

012757

⚠ ATTENZIONE:

- Se l'utensile viene utilizzato in continuazione a bassa velocità per molto tempo, il motore va in sovraccarico e si scalda.
- La manopola di rotazione della velocità può essere regolata solo fra 5 e 1. Non forzarla oltre 5 o 1, diversamente la regolazione della velocità potrebbe non funzionare più.

Funzione elettronica

Gli utensili dotati della funzione elettronica sono facili da usare grazie alle caratteristiche che seguono.

Regolazione costante della velocità

La regolazione costante della velocità permette una lavorazione precisa mantenendo la velocità costante in condizioni di carico.

Funzione di avvio ammortizzato

La funzione di avvio ammortizzato elimina il contraccolpo di avvio.

Protezione contro il sovraccarico

Quando il carico dell'utensile supera i valori ammessi, l'alimentazione del motore viene ridotta al fine di proteggerlo dal surriscaldamento. Quando il carico torna a valori ammessi, l'utensile funziona normalmente.

MONTAGGIO

⚠ ATTENZIONE:

- Accertarsi sempre che l'utensile sia spento e staccato dalla presa di corrente prima di un qualsiasi intervento su di esso.

Installazione dell'impugnatura laterale (manico) (Fig. 5 e 6)

⚠ ATTENZIONE:

- Accertarsi sempre che l'impugnatura laterale sia installata saldamente prima di cominciare un lavoro.

Rimuovere una delle tre viti che fissano il coperchio testa. Avvitare poi l'impugnatura laterale nel foro della vite.

Installazione del platorello e del disco abrasivo (Fig. 7 e 8)

Rimuovere ogni sporco o sostanza estranea dal platorello.

Avvitare il platorello sul mandrino premendo il blocco albero.

Attaccare il disco abrasivo al centro del platorello. Accertarsi che il platorello sia sistemato all'interno del bordo del disco abrasivo.

Per rimuovere il disco abrasivo, staccare il suo bordo dal platorello.

UTILIZZO COME SMERIGLIATRICE (Fig. 9, 10 e 11)

Per usare l'utensile come smerigliatrice, rimuovere il coperchio testa e installare l'impugnatura laterale e la protezione disco opzionale.

Allentare le viti e rimuovere il coperchio testa.

Avvitare saldamente l'impugnatura laterale sulla posizione dell'utensile mostrata nella illustrazione.

⚠ ATTENZIONE:

- Accertarsi sempre che l'impugnatura laterale sia installata saldamente prima di cominciare un lavoro.

Installazione o rimozione della protezione disco (Per disco con centro depresso, disco lamellare, disco flessibile, spazzola metallica a disco/disco troncatore abrasivo, disco diamantato) (accessorio opzionale) (Fig. 12, 13 e 14)

⚠ AVVERTIMENTO:

- Quando si usa un disco con centro depresso, disco lamellare, disco flessibile o spazzola metallica a disco, bisogna montare la protezione disco sull'utensile in modo che il lato chiuso della protezione sia sempre rivolto verso l'operatore.
- Quando si usa un disco troncatore abrasivo / disco diamantato, bisogna usare soltanto la protezione disco speciale progettata per l'impiego con i dischi troncatori. (In alcuni Paesi europei si può usare la protezione ordinaria quando si usa un disco diamantato. Seguire le relative norme del proprio Paese.)

Utensile con protezione disco del tipo con viti di bloccaggio

Montare la protezione disco con le sporgenze sulla banda protezione disco allineate sulle tacche della scatola cuscinetto. Ruotare poi la protezione disco di circa 180° in senso antiorario. Accertarsi di stringere saldamente la vite.

Per rimuovere la protezione disco, seguire il procedimento inverso di installazione.

Utensile con protezione disco del tipo con leva di fermo

Tirare la leva nella direzione della freccia dopo aver allentato la vite. Montare la protezione disco con le sporgenze sulla banda protezione disco allineate sulle tacche della scatola cuscinetto. Ruotare poi la protezione disco di circa 180°.

Serrare la protezione disco con la vite di fermo dopo aver tirato la leva nella direzione della freccia. L'angolo di installazione della protezione disco può essere regolato con la leva.

Per rimuovere la protezione disco, seguire il procedimento inverso di installazione.

Installazione o rimozione del disco con centro depresso o disco lamellare (accessorio opzionale) (Fig. 15 e 16)

AVVERTIMENTO:

- Quando si usa un disco con centro depresso o un disco lamellare, la protezione disco deve essere montata sull'utensile in modo che il lato chiuso della protezione sia sempre rivolto verso l'operatore.

Montare la flangia interna sul mandrino. Installare il disco con centro depresso o il disco lamellare sulla flangia interna e avvitare il controdado nel mandrino.

Per stringere il controdado, premere decisamente il blocco albero in modo che il mandrino non possa girare, e usare poi la chiave controdadi stringendo saldamente in senso orario.

Per rimuovere la protezione disco, seguire il procedimento inverso di installazione.

Super flangia (accessorio opzionale)

I modelli con la lettera F hanno la Super flangia come dotazione standard. A confronto con i tipi convenzionali, per sbloccare il controdado è necessario soltanto 1/3 degli sforzi.

ATTENZIONE:

- Non usare la super flangia con i modelli dotati del freno meccanico. In caso contrario, essa potrebbe staccarsi quando il freno viene attivato.

Installazione o rimozione dell'Ezynut (accessorio opzionale) (Fig. 17, 18, 19 e 20)

ATTENZIONE:

- Non usare l'Ezynut con la Super flangia o con le smerigliatrici angolari con una "F" alla estremità del numero del modello. Tali flange sono così spesse che il mandrino non può trattenere l'intera filettatura.

Montare la flangia interna, il disco abrasivo e l'Ezynut sul mandrino, in modo che il logo Makita sull'Ezynut sia rivolto verso l'esterno.

Premere decisamente il blocco albero e stringere l'Ezynut girando il disco abrasivo in senso orario per quanto può girare.

Girare l'anello esterno dell'Ezynut in senso antiorario per allentarlo.

NOTA:

- L'Ezynut può essere allentato a mano se la freccia è puntata sulla tacca. Altrimenti, per allentarlo è necessaria la chiave controdadi. Inserire un perno della chiave in un foro e girare l'Ezynut in senso antiorario.

Installazione o rimozione del disco flessibile (accessorio opzionale) (Fig. 21)

AVVERTIMENTO:

- Usare sempre la protezione in dotazione quando si usa il disco flessibile sull'utensile. Il disco potrebbe frantumarsi durante l'uso, e la protezione aiuta a ridurre il rischio di lesioni personali.

Seguire le istruzioni per il disco con centro depresso, ma usare anche il platello di plastica sopra il disco. Vedere l'ordine di montaggio nella pagina degli accessori di questo manuale.

Installazione o rimozione del disco abrasivo (accessorio opzionale) (Fig. 22)

NOTA:

- Usare gli accessori di carteggiatura specificati in questo manuale. Essi devono essere acquistati separatamente.

Montare il platello di gomma sul mandrino. Montare il disco sul platello di gomma, e avvitare il controdado carteggiatura sul mandrino. Per stringere il controdado carteggiatura, premere decisamente il blocco albero in modo che il mandrino non possa girare e usare poi la chiave controdadi stringendo saldamente in senso orario.

Per rimuovere la protezione disco, seguire il procedimento inverso di installazione.

Installazione o rimozione dell'accessorio coperchio polvere (accessorio opzionale) (Fig. 23)

AVVERTIMENTO:

- **Accertarsi sempre che l'utensile sia spento e staccato dalla presa di corrente prima di installare o di rimuovere l'accessorio coperchio polvere.** Non facendo ciò, si può danneggiare l'utensile o causare una lesione personale.

Ci sono quattro pezzi dell'accessorio coperchio polvere, e ciascuno va usato in posizioni diverse.

Installare l'accessorio coperchio polvere in modo che il contrassegno (A, B, C o D) venga a trovarsi come mostrato. Far scattare i suoi perni nelle aperture.

L'accessorio coperchio polvere può essere rimosso a mano.

NOTA:

- Pulire l'accessorio coperchio polvere quando è intasato di polvere o di sostanze estranee. Se si continua a lavorare con un accessorio coperchio polvere intasato si danneggia l'utensile.

FUNZIONAMENTO

AVVERTIMENTO:

- Non deve mai essere necessario forzare l'utensile. Il peso dell'utensile esercita una pressione adeguata. Esercitando una pressione eccessiva si potrebbe causare una pericolosa rottura del disco.
- Sostituire SEMPRE il disco se l'utensile è caduto durante la molatura.
- Non si deve MAI sbattere il disco di molatura contro il materiale che si lavora o fargli subire colpi.
- Evitare di far rimbalzare e di inceppare il disco, soprattutto quando si lavorano gli angoli, bordi aguzzi, ecc. Ciò può causare la perdita di controllo e contraccolpi.
- L'utensile non deve MAI essere usato con lame per il taglio del legno e altre lame di sega. Tali lame usate con la con la smerigliatrice causano frequenti contraccolpi e la perdita di controllo, con pericolo di lesioni personali.

ATTENZIONE:

- L'utensile non deve mai essere acceso mentre fa contatto con il materiale da lavorare, perché potrebbe causare una lesione all'operatore.
- Indossare sempre occhiali di sicurezza o una visiera durante il lavoro.

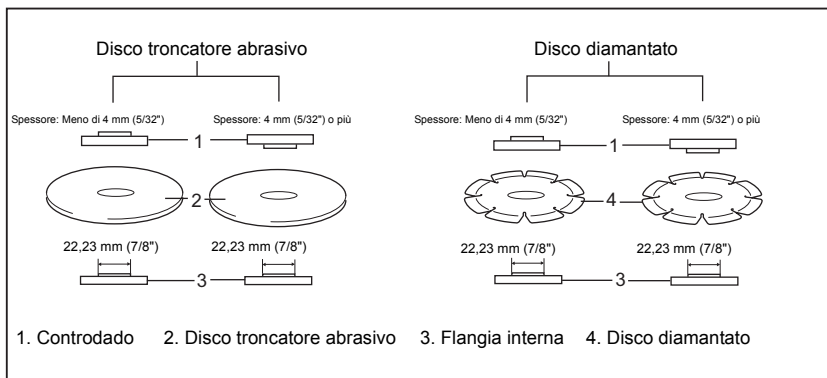
- Dopo una operazione, spegnere sempre l'utensile e prima di posarlo aspettare finché il disco si sia completamente arrestato.

Operazione di molatura e di carteggiatura (Fig. 24)

Tenere SEMPRE saldamente l'utensile con una mano sull'alloggiamento e l'altra sull'impugnatura laterale. Non toccare le parti metalliche. Accendere l'utensile e applicare il disco con centro depresso o il disco lamellare al materiale da lavorare.

In generale, mantenere il bordo del disco con centro depresso o del disco lamellare a un angolo di circa 15° rispetto alla superficie del materiale da lavorare.

Vedere la tabella sotto.



011644

⚠ AVVERTIMENTO:

- Quando si usa un disco troncatore abrasivo / disco diamantato, bisogna usare soltanto la protezione disco speciale progettata per l'impiego con i dischi troncatore. (In alcuni Paesi europei si può usare la protezione ordinaria quando si usa un disco diamantato. Seguire le relative norme del proprio Paese.)
- Non si deve MAI usare un disco troncatore per la molatura laterale.
- Non "inceppare" il disco o esercitare una pressione eccessiva. Non cercare di fare un taglio eccessivamente profondo. La sovrasollecitazione del disco aumenta il carico e il pericolo che esso si distorca o rimanga inceppato nel taglio, e la possibilità che si verifichino contraccolpi, rottura del disco e surriscaldamento del motore.
- Non cominciare l'operazione di taglio nel materiale da lavorare. Lasciare che il disco raggiunga la piena velocità ed entrare con cura nel taglio muovendo l'utensile in avanti sulla superficie del materiale da lavorare. Il disco potrebbe incepparsi, rialzarsi o causare un contraccolpo se l'utensile elettrico viene avviato nel pezzo.
- Durante le operazioni di taglio, non si deve mai cambiare l'angolo del disco. Esercitando una pressione laterale sul disco troncatore (come per la molatura), il disco potrebbe creparsi o rompersi causando una seria lesione personale.
- Un disco diamantato deve essere usato perpendicolarmente al materiale da tagliare.

Durante il periodo di rodaggio con un nuovo disco, non operare la smerigliatrice nella direzione B, perché altrimenti taglia il materiale da lavorare. Dopo che il bordo del disco si è arrotondato con l'uso, esso può essere usata in entrambe le direzioni A e B.

Operazione con disco troncatore abrasivo/ diamantato (accessorio opzionale) (Fig. 25)

La direzione di montaggio del controdado e della flangia interna varia secondo lo spessore del disco.

Operazione con la spazzola metallica a tazza (accessorio opzionale) (Fig. 26)

⚠ ATTENZIONE:

- Controllare il funzionamento della spazzola facendo girare l'utensile senza carico, accertandosi che non ci sia nessuno davanti o in linea con la spazzola.
- Non usare una spazzola danneggiata o sbilanciata. Se si usa una spazzola danneggiata, si aumenta il pericolo potenziale di lesioni per il contatto con i fili rotti della spazzola.

Staccare l'utensile dalla presa di corrente e metterlo capovolto in modo da accedere facilmente al mandrino. Rimuovere qualsiasi accessorio dal mandrino. Infilare la spazzola metallica a tazza nel mandrino e stringerla con la chiave in dotazione. Quando si usa la spazzola, evitare di esercitare una pressione eccessiva perché ciò causa il piegamento dei fili con rottura prematura.

Operazione con la spazzola metallica a disco (accessorio opzionale) (Fig. 27)

⚠ ATTENZIONE:

- Controllare il funzionamento della spazzola metallica a disco facendo girare l'utensile senza carico, accertandosi che non ci sia nessuno davanti o in linea con la spazzola.
- Non usare una spazzola metallica a disco danneggiata o sbilanciata. Se si usa una spazzola danneggiata, si aumenta il pericolo potenziale di lesioni per il contatto con i fili rotti della spazzola.

- Usare SEMPRE la protezione con le spazzole metalliche a disco, accertandosi che il diametro del disco usato possa entrare dentro la protezione. Il disco potrebbe frantumarsi durante l'uso, e la protezione aiuta a ridurre il rischio di lesioni personali.

Staccare l'utensile dalla presa di corrente e metterlo capovolto in modo da accedere facilmente al mandrino. Rimuovere qualsiasi accessorio dal mandrino. Infilare la spazzola metallica a disco nel mandrino e stringerla con le chiavi.

Quando si usa una spazzola metallica a disco, evitare di esercitare una pressione eccessiva perché ciò causa il piegamento dei fili con rottura prematura.

MANUTENZIONE

ATTENZIONE:

- Accertarsi sempre che l'utensile sia spento e staccato dalla presa di corrente prima dell'ispezione o della manutenzione.
- Mai usare benzina, benzene, solventi, alcol e altre sostanze simili. Potrebbero causare scolorimenti, deformazioni o crepe.

L'utensile e le sue aperture di ventilazione devono essere mantenuti puliti. Pulire regolarmente le aperture di ventilazione dell'utensile, oppure ogni volta che diventano ostruite. (Fig. 28)

Per preservare la SICUREZZA e l'AFFIDABILITÀ del prodotto, le riparazioni, l'ispezione e la sostituzione della spazzola di carbone o qualsiasi altra manutenzione e regolazione devono essere eseguite da un Centro Assistenza Makita autorizzato usando sempre ricambi Makita.

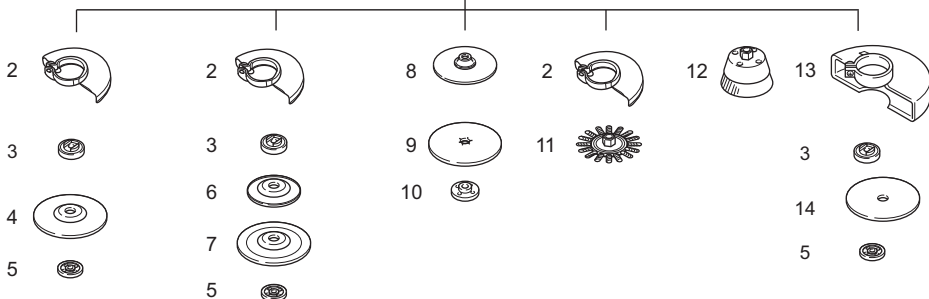
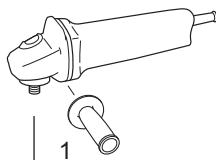
ACCESSORI OPZIONALI

ATTENZIONE:

- Questi accessori o attrezzi sono consigliati per l'uso con l'utensile Makita specificato in questo manuale. L'impiego di altri accessori o attrezzi può costituire un rischio di lesioni alle persone. Usare gli accessori soltanto per il loro scopo prefissato.

Per ottenere maggiori dettagli su questi accessori o attrezzi, rivolgersi a un Centro Assistenza Makita locale.

- Disco abrasivo
- Accessorio coperchio polvere



	Modello di 115 mm (4-1/2")	Modello di 125 mm (5")
1	Impugnatura 36	
2	Protezione disco (disco di molatura)	
3	Flangia interna 42 Super flangia 47 *1	
4	Disco con centro depresso/disco lamellare	
5	Controdado 14-45 Ezynut *2	
6	Platello di plastica	
7	Disco flessibile	
8	Platello di gomma 100	Platello di gomma 115
9	Disco abrasivo	
10	Controdado carteggiatura 14-48	
11	Spazzola metallica a disco	
12	Spazzola metallica a tazza	
13	Protezione disco (disco troncatore) *3	
14	Disco troncatore abrasivo/disco diamantato	
-	Chiave controdadi 35	

Nota:
 *1 Non usare la Super flangia con una molatrice dotata del freno meccanico.
 *2 Non usare la Super flangia e l'Ezynut insieme.
 *3 In alcuni Paesi europei, quando si usa un disco diamantato si può usare la protezione ordinaria al posto della protezione speciale che copre entrambi i lati del disco. Seguire le relative norme del proprio Paese.

012987

NOTA:
 • Alcuni articoli nella lista potrebbero essere inclusi nell'imballo dell'utensile come accessori standard. Essi potrebbero differire da Paese a Paese.

Rumore

Il tipico livello di rumore pesato A determinato secondo EN60745:

Livello pressione sonora (L_{pA}): 84 dB (A)

Livello potenza sonora (L_{WA}): 95 dB (A)

Incertezza (K): 3 dB (A)

Indossare i paraorecchi

ENG900-1

Vibrazione

Il valore totale di vibrazione (somma vettore triassiale) determinato secondo EN60745:

Modalità operativa: carteggiatura con disco con impugnatura laterale antivibrazioni

Emissione di vibrazione ($a_{h, DS}$): 2,5 m/s² o meno

Incertezza (K): 1,5 m/s²

Modalità operativa: carteggiatura con disco con normale impugnatura laterale

Emissione di vibrazione ($a_{h, DS}$): 2,5 m/s² o meno

Incertezza (K): 1,5 m/s²

Modalità operativa: molatura superficie con impugnatura laterale antivibrazioni

Emissione di vibrazione ($a_{h, AG}$): 4,0 m/s²

Incertezza (K): 1,5 m/s²

Modalità operativa: molatura superficie con normale impugnatura laterale

Emissione di vibrazione ($a_{h, AG}$): 5,0 m/s²

Incertezza (K): 1,5 m/s²

ENG902-1

- Il valore di emissione delle vibrazioni dichiarato è stato misurato conformemente al metodo di test standard, e può essere usato per paragonare un utensile con un altro.
- Il valore di emissione delle vibrazioni dichiarato può anche essere usato per una valutazione preliminare dell'esposizione.
- Il valore di emissione delle vibrazioni dichiarato viene usato per le applicazioni principali dell'utensile elettrico. Se però l'utensile elettrico viene usato per altre applicazioni, il valore di emissione delle vibrazioni potrebbe essere diverso.

⚠ AVVERTIMENTO:

- L'emissione delle vibrazioni durante l'uso reale dell'utensile elettrico può differire dal valore di emissione dichiarato a seconda dei modi in cui viene usato l'utensile.
- Identificare le misure di sicurezza per la protezione dell'operatore basate sulla stima dell'esposizione nelle condizioni reali d'utilizzo (tenendo presente tutte le parti del ciclo operativo, come le volte in cui l'utensile viene spento e quando gira a vuoto, oltre al tempo di funzionamento).

Modello per l'Europa soltanto**Dichiarazione CE di conformità****Makita dichiara che la macchina seguente:**

Designazione della macchina:

Levigatrice angolare

Modello No./ Tipo: SA5040C

Conforme alle Direttive Europee:

2006/42/CE

È stata fabbricata in conformità allo standard e ai documenti standardizzati seguenti:

EN60745

La documentazione tecnica conforme 2006/42/CE è disponibile da:

Makita, Jan-Baptist Vinkstraat 2, 3070, Belgio

1.2.2016



Yasushi Fukaya
Amministratore

Makita, Jan-Baptist Vinkstraat 2, 3070, Belgio

Verklaring van algemene gegevens

1 Asvergrendeling	13 Hendel	26 Markering A
2 Stroomschakelaar	14 Borgmoer	27 Markering B
3 Verklikkerlampje (snelheidsregelknop)	15 Schijf met verzonken middengat	28 Markering C
4 Snelheidsregelknop	16 Binnenflens	29 Markering D
5 Schroef	17 Borgmoersleutel	30 Doorslijpwiël/diamantschijf
6 Slijpschijf	18 Ezynut-sluitmoer	31 Beschermkap voor doorslijpwiël/diamantschijf
7 Schuurvlak	19 Slijpwiël	32 Komvormige draadborstel
8 As	20 Pijltekens	33 Schijfvormige draadborstel
9 Kopdeksel	21 Inkeping	34 Luchtuitlaatopening
10 Aandrijvingshuis	22 Buigzaam wiel	35 Luchtinlaatopening
11 Beschermkap	23 Plastic rugschijf	
12 Kussenblokkast	24 Borgmoer	
	25 Rubberen rugschijf	

TECHNISCHE GEGEVENS

Model	SA5040C
Diameter slijpschijf	125 mm
Schijfdiameter	115 mm of 125 mm (afhankelijk van de optionele beschermkap)
Max. schijfdikte	6,4 mm
Asschroefdraad	M14
Nominale snelheid (n) / Onbelaste snelheid (n ₀)	7 800 min ⁻¹
Totale lengte	315 mm
Nettogewicht	2,2 kg
Veiligheidsklasse	II/III

GEB097-3

- In verband met ononderbroken research en ontwikkeling behouden wij ons het recht voor bovenstaande technische gegevens te wijzigen zonder voorafgaande kennisgeving.
- De technische gegevens kunnen van land tot land verschillen.
- Gewicht volgens de EPTA-procedure 01/2003

EN094-1

Gebruiksdoeleinden

Het gereedschap is bedoeld voor het slijpen, schuren en doorslijpen van metaal en steen zonder gebruik van water. Voor slijpen en doorslijpen moeten de correcte beschermkappen worden aangebracht.

ENF002-2

Stroomvoorziening

Het gereedschap mag alleen worden aangesloten op een stroombron van hetzelfde voltage als aangegeven op de naamplaat, en kan alleen op enkel-fase wisselstroom worden gebruikt. Het gereedschap is dubbel-geïsoleerd en kan derhalve ook op een niet-geaard stopcontact worden aangesloten.

GEA010-1

Algemene veiligheidswaarschuwingen voor elektrisch gereedschap

⚠ WAARSCHUWING! Lees alle veiligheidswaarschuwingen en alle instructies. Het niet volgen van de waarschuwingen en instructies kan leiden tot elektrische schokken, brand en/of ernstig letsel.

Bewaar alle waarschuwingen en instructies om in de toekomst te kunnen raadplegen.

VEILIGHEIDSVOORSCHRIFTEN VOOR DE SLIJP/SCHUURMACHINE

Gemeenschappelijke veiligheidswaarschuwingen voor slijp-, schuur-, draadborstel- en doorslijpwerkzaamheden:

1. Dit elektrisch gereedschap is bedoeld voor gebruik als slijp-, schuur-, draadborstel- of doorslijpgereedschap. Lees alle veiligheidswaarschuwingen, instructies, afbeeldingen en technische gegevens die bij dit elektrisch gereedschap worden geleverd. Als u nalaat alle onderstaande instructies te volgen, kan dit leiden tot een elektrische schok, brand en/of ernstig letsel.
2. Werkzaamheden zoals polijsten worden niet aangeraden met dit elektrisch gereedschap. Werkzaamheden waarvoor dit elektrisch gereedschap niet is bedoeld kunnen gevaarlijke situaties opleveren en tot persoonlijk letsel leiden.
3. Gebruik geen accessoires die niet specifiek zijn ontworpen en aanbevolen door de fabrikant van het gereedschap. Ook wanneer het accessoire kan worden bevestigd op uw elektrisch gereedschap, is een veilige werking niet gegarandeerd.
4. Het nominaal toerental van het accessoire moet minstens gelijk zijn aan het maximumtoerental vermeld op het elektrisch gereedschap. Accessoires die met een hoger toerental draaien dan hun nominaal toerental kunnen stuk breken en in het rond vliegen.

5. De buitendiameter en de dikte van het accessoire moet binnen het capaciteitsbereik van het elektrisch gereedschap vallen. Accessoires met verkeerde afmetingen kunnen niet afdoende worden afgeschermd of beheerst.
 6. Bij schroefbare accessoires moet de schroefdraad precies passen op de asschroefdraad van de hoekslijper. Bij accessoires met een flensverbinding moet de asdiameter overeenkomen met de aanpassingsdiameter van de flens. Accessoires die niet precies passen op het elektrisch gereedschap zullen niet in balans draaien, buitensporig trillen en kunnen leiden tot verlies van controle over het gereedschap.
 7. Gebruik nooit een beschadigd accessoire. Inspecteer het accessoire vóór ieder gebruik, bijvoorbeeld een slijpschijf op ontbrekende schijfren en barsten; een rugschijf op barsten, scheuren of buitensporige slijtage; en een draadborstel op losse of gebarsten draden. Nadat het elektrisch gereedschap of accessoire is gevallen, inspecteert u het op schade of monteert u een onbeschadigd accessoire. Na inspectie en montage van een accessoire, zorgt u ervoor dat u en omstanders niet in het rotatie vlak van het accessoire staan, en laat u het elektrisch gereedschap draaien op het maximaal, onbelast toerental gedurende één minuut. Beschadigd accessoire breken normaal gesproken in stukken gedurende deze testduur.
 8. Gebruik persoonlijke-veiligheidsmiddelen. Afhankelijk van de toepassing gebruikt u een gezichtsscherm, een beschermende bril of een veiligheidsbril. Al naar gelang van toepassing draagt u een stofmasker, gehoorbeschermers, handschoenen en een werkschort die in staat zijn kleine stukjes slijpsel of werkstukfragmenten te weerstaan. De oogbescherming moet in staat zijn rondvliegend afval te stoppen dat ontstaat bij de diverse werkzaamheden. Het stofmasker of ademhalingsapparaat moet in staat zijn deeltjes te filteren die ontstaat bij de werkzaamheden. Langdurige blootstelling aan zeer intens geluid kan leiden tot gehoorbeschadiging.
 9. Houd omstanders op veilige afstand van het werkgebied. Iedereen die zich binnen het werkgebied begeeft, moet persoonlijke-veiligheidsmiddelen gebruiken. Fragmenten van het werkstuk of van een uiteengevallen accessoire kunnen rondvliegen en letsel veroorzaken buiten de onmiddellijke werkomgeving.
 10. Houd elektrisch gereedschap uitsluitend vast aan het geïsoleerde oppervlak van de handgrepen wanneer u werkt op plaatsen waar het slijpaccessoire met verborgen bedrading of zijn eigen snoer in aanraking kan komen. Als snijdende accessoires een draad raken die onder stroom staat, kunnen de metalen delen van dit gereedschap ook onder spanning raken en u een elektrische schok geven.
 11. Houd het snoer goed uit de buurt van het ronddraaiende accessoire. Als u de controle verliest over het gereedschap, kan het snoer worden doorgesneden of bekneld raken, en kan uw hand of arm tegen het ronddraaiende accessoire worden aangetrokken.
 12. Leg het elektrisch gereedschap nooit neer voordat het accessoire volledig tot stilstand is gekomen. Het ronddraaiende accessoire kan de ondergrond pakken zodat u de controle over het elektrisch gereedschap verliest.
 13. Laat het elektrisch gereedschap niet draaien terwijl u het naast u draagt. Als het ronddraaiende accessoire u per ongeluk raakt, kan het verstrikt raken in uw kleding waardoor het accessoire in uw lichaam wordt getrokken.
 14. Maak de ventilatieopeningen van het gereedschap regelmatig schoon. De ventilator van de motor zal het stof de behuizing in trekken, en een grote opeenhoping van metaalslijpsel kan leiden tot elektrisch gevaarlijke situaties.
 15. Gebruik het elektrisch gereedschap niet in de buurt van brandbare materialen. Vonken kunnen deze materialen doen ontvlammen.
 16. Gebruik geen accessoires die met vloeistof moeten worden gekoeld. Het gebruik van water of andere vloeibare koelmiddelen kan leiden tot elektrocutie of elektrische schokken.
- Terugslag en aanverwante waarschuwingen**
- Terugslag is een plotselinge reactie op een beknelde of vastgelopen draaiende schijf, rugschijf, borstel of enig ander accessoire. Beknellen of vastlopen veroorzaakt een snelle stilstand van het draaiende accessoire dat op zijn beurt ertoe leidt dat het elektrisch gereedschap zich ongecontroleerd beweegt in de tegenovergestelde richting van de draairichting van het accessoire op het moment van vastlopen.
- Bijvoorbeeld, als een slijpschijf bekneld raakt of vastloopt in het werkstuk, kan de rand van de schijf die het beknellingspunt ingaat, zich invreten in het oppervlak van het materiaal waardoor de schijf eruit klimt of eruit slaat. De schijf kan daarbij naar de gebruiker toe of weg springen, afhankelijk van de draairichting van de schijf op het beknellingspunt. Slijpschijven kunnen in dergelijke situaties ook breken.
- Terugslag is het gevolg van misgebruik van het elektrisch gereedschap en/of onjuiste gebruiksprocedures of omstandigheden, en kan worden voorkomen door goede voorzorgsmaatregelen te treffen, zoals hieronder vermeld:
- a) Houd het gereedschap stevig vast en houd uw armen en lichaam zodanig dat u in staat bent een terugslag op te vangen. Gebruik altijd de extra handgreep (indien aanwezig) voor een maximale controle over het gereedschap in geval van terugslag en de koppelreactiekrachten bij het starten. De gebruiker kan een terugslag of de koppelreactiekrachten opvangen indien de juiste voorzorgsmaatregelen worden getroffen.
 - b) Plaats uw hand nooit in de buurt van het draaiende accessoire. Het accessoire kan terugslaan over uw hand.

- c) **Plaats uw lichaam niet in het gebied waar het elektrisch gereedschap naar toe gaat wanneer een terugslag optreedt.** Een terugslag zal het gereedschap bewegen in de tegenovergestelde richting van de draairichting van de schijf op het moment van beknellen.
- d) **Wees bijzonder voorzichtig bij het werken met hoeken, scherpe randen, enz. Voorkom dat het accessoire springt of bekneld raakt.** Hoeken, scherpe randen of springen veroorzaken vaak beknellen van het draaiende accessoire wat leidt tot terugslag of verlies van controle over het gereedschap.
- e) **Bevestig geen houtbewerkingsblad van een zaagketting of getand zaagblad.** Dergelijke bladen leiden vaak tot terugslag of verlies van controle over het gereedschap.

Veiligheidswaarschuwingen specifiek voor slijpen doorslijpwerkzaamheden:

- a) **Gebruik uitsluitend schijven van het type aanbevolen voor uw elektrisch gereedschap en de specifieke beschermkap voor de te gebruiken schijf.** Schijven waarvoor het elektrisch gereedschap niet is ontworpen, kunnen niet goed worden afgeschermd en zijn niet veilig.
- b) **Het slijppoppervlak van schijven met een verzonken middengat moet bij montage lager komen dan het vlak van de beschermand.** Bij een onjuist gemonteerde schijf die boven het vlak van de beschermand uitsteekt is geen goede bescherming mogelijk.
- c) **De beschermkap moet stevig worden vastgezet aan het elektrisch gereedschap en in de maximaal beschermende stand worden gezet zodat het kleinste mogelijke deel van de schijf is blootgesteld in de richting van de gebruiker.** De beschermkap dient om de gebruiker te beschermen tegen aanraking met de schijf, stukjes die daarvan af breken en vonken die brandgevaar voor kleding opleveren.
- d) **De schijven mogen uitsluitend worden gebruikt voor de aanbevolen toepassingen. Bijvoorbeeld: u mag niet slijpen met de zijkant van een doorslijpschijf.** Doorslijpschijven zijn bedoeld voor slijpen met de rand. Krachten op het zijoppervlak kunnen deze schijven doen breken.
- e) **Gebruik altijd onbeschadigde schijfflenzen van de juiste afmetingen en vorm voor de te gebruiken schijf.** Een goede schijfflens ondersteunt de schijf en verkleint daarmee de kans op het breken van de schijf. Flenzen voor doorslijpschijven kunnen verschillen van flenzen voor slijpschijven.
- f) **Gebruik geen afgesleten schijven van grotere elektrische gereedschappen.** Schijven die zijn bedoeld voor grotere elektrische gereedschappen zijn niet geschikt voor de hogere snelheid van een kleiner elektrisch gereedschap en kunnen in stukken breken.

Aanvullende veiligheidswaarschuwingen specifiek voor doorslijpwerkzaamheden:

- a) **Laat de doorslijpschijf niet vastlopen en oefen geen buitensporige druk uit. Probeer niet een buitensporig diepe snede te slijpen.** Een te grote kracht op de schijf verhoogt de belasting en de kans dat de schijf in de snede verdraait of vastloopt, waardoor terugslag kan optreden of de schijf kan breken.
- b) **Plaats uw lichaam niet in één lijn achter de ronddraaiende schijf.** Wanneer de schijf, op het aangrijppunt in het werkstuk, zich van uw lichaam af beweegt, kunnen door de mogelijke terugslag de ronddraaiende schijf en het elektrisch gereedschap in uw richting worden geworpen.
- c) **Wanneer de schijf vastloopt of u het slijpen onderbreekt, schakelt u het elektrisch gereedschap uit en houdt u dit stil totdat de schijf volledig tot stilstand is gekomen. Probeer nooit de doorslijpschijf uit de snede te halen terwijl de schijf nog draait omdat hierdoor een terugslag kan optreden.** Onderzoek waarom de schijf is vastgelopen en tref afdoende maatregelen om de oorzaak ervan op te heffen.
- d) **Begin niet met doorslijpen terwijl de schijf al in het werkstuk steekt. Wacht totdat de schijf op volle snelheid heeft bereikt en breng daarna de schijf voorzichtig terug in de snede.** Wanneer het elektrisch gereedschap opnieuw wordt gestart terwijl de schijf al in het werkstuk steekt, kan de schijf vastlopen, omhoog lopen of terugslaan.
- e) **Ondersteun platen en grote werkstukken om de kans op het beknellen van de schijf en terugslag te minimaliseren.** Grote werkstukken neigen door te zakken onder hun eigen gewicht. U moet het werkstuk ondersteunen vlakbij de snijlijn en vlakbij de rand van het werkstuk aan beide kanten van de schijf.
- f) **Wees extra voorzichtig bij blind slijpen in bestaande wanden of op andere plaatsen.** De uitstekende schijf kan gas- of waterleidingen, elektrische bedrading of voorwerpen die terugslag veroorzaken raken.

Veiligheidswaarschuwingen specifiek voor schuurwerkzaamheden:

- a) **Gebruik geen veel te grote schuurpapierschijven. Volg de aanwijzingen van de fabrikant bij uw keuze van het schuurpapier.** Te groot schuurpapier dat uitsteekt tot voorbij de rand van het schuurkussen levert snijgevaar op en kan beknellen of scheuren van de schuurpapierschijf of terugslag veroorzaken.

Veiligheidswaarschuwingen specifiek voor draadborstelwerkzaamheden:

- a) **Wees erop bedacht dat ook tijdens normaal gebruik borsteldraden door de borstel worden rondgeslingerd. Oefen niet te veel kracht uit op de borsteldraden door een te hoge belasting van de borstel.** De borsteldraden kunnen met gemak door dunne kleding en/of de huid dringen.

- b) Als het gebruik van een beschermkap wordt aanbevolen voor draadborstelen, zorgt u ervoor dat de draadschijf of draadborstel niet in aanraking komt met de beschermkap. De draadschijf of draadborstel kan in diameter toenemen als gevolg van de werkbelasting en centrifugale krachten.

Aanvullende veiligheidsaanschuivingen:

17. Bij gebruik van een slijpschijf met een verzonken middengat, mag u uitsluitend met glasvezel versterkte schijven gebruiken.
18. **GEBRUIK NOOIT** een stenen komschijf op deze slijpmachine. Deze slijpmachine is niet ontworpen voor dit type schijven en het gebruik ervan kan leiden tot ernstig persoonlijk letsel.
19. Let erop dat u de as, de flens (met name de montagekant) en de borgmoer niet beschadigt. Als deze onderdelen beschadigd raken, kan de schijf breken.
20. Zorg ervoor dat de schijf niet in aanraking is met het werkstuk voordat u het gereedschap hebt ingeschakeld.
21. Laat gereedschap een tijdje draaien voordat u het op het werkstuk gaat gebruiken. Controleer op trillingen of schommelingen die op onjuiste montage of een slecht uitgebalanceerd schijf kunnen wijzen.
22. Gebruik de aangegeven kant van de schijf om mee te slijpen.
23. Laat het gereedschap niet ingeschakeld liggen. Bedien het gereedschap alleen wanneer u het vasthoudt.
24. Raak het werkstuk niet onmiddellijk na gebruik aan. Deze kan bijzonder heet zijn en brandwonden op uw huid veroorzaken.
25. Volg de instructies van de fabrikant voor het juist monteren en gebruiken van de schijven zorgvuldig op. Behandel de schijven voorzichtig en berg deze met zorg op.
26. Gebruik geen afzonderlijke verloopmoffen of adapters om schuurschijven met een groot asgat aan dit gereedschap aan te passen.
27. Gebruik uitsluitend flenzen die voor dit gereedschap zijn bestemd.
28. Voor gereedschap waarop schijven met een geschroefd asgat dienen gemonteerd te worden, moet u ervoor zorgen dat de schroefdraad in de schijf lang genoeg zodat de as helemaal erin gaat.
29. Zorg ervoor dat het werkstuk goed ondersteund is.
30. Houd er rekening mee dat de schijf nog een tijdje blijft draaien nadat het gereedschap is uitgeschakeld.
31. Indien de werkplaats uiterst warm en vochtig is, of erg verontreinigd is door geleidend stof, gebruik dan een stroomonderbreker (30 mA) om de veiligheid van de gebruiker te verzekeren.
32. Gebruik het gereedschap niet op materialen die asbest bevatten.
33. Wanneer u een doorslijpschijf gebruikt, dient u altijd te werken met de stofvangbeschermkap die door de plaatselijke overheid wordt voorgeschreven.

34. Doorslijpschijven mogen niet aan zijwaartse druk worden blootgesteld.

35. **Draag geen stoffen werkhandschoenen tijdens gebruik van dit gereedschap.** Vezels van stoffen handschoenen kunnen binnendringen in het gereedschap waardoor het gereedschap defect kan raken.

BEWAAR DEZE VOORSCHRIFTEN.

WAARSCHUWING:

Laat u **NIET** misleiden door een vals gevoel van comfort en bekendheid met het gereedschap (na veelvuldig gebruik) en neem alle veiligheidsvoorschriften van het betreffende gereedschap altijd strikt in acht. **VERKEERD GEBRUIK** of het niet naleven van de veiligheidsvoorschriften in deze gebruiksaanwijzing kan leiden tot ernstige verwondingen.

BESCHRIJVING VAN DE FUNCTIES

LET OP:

- Zorg altijd dat het gereedschap is uitgeschakeld en de stekker uit het stopcontact is verwijderd alvorens de functies op het gereedschap te controleren of af te stellen.

Asvergrendeling (Fig. 1)

LET OP:

- Schakel nooit de asvergrendeling in terwijl de as nog draait. Dat kan het apparaat beschadigen.

Druk de asvergrendeling in om te voorkomen dat de as wegdraait wanneer u accessoires aanbrengt of verwijderd.

Schakelaarwerking (Fig. 2)

LET OP:

- Controleer altijd, voordat u de stekker in het stopcontact steekt, of de schuifschakelaar op de juiste manier schakelt en terugkeert naar de "UIT" stand wanneer u op de achterkant van de schuifschakelaar drukt.
- De schakelaar kan in de "AAN"-stand vergrendeld worden, hetgeen bij langdurig gebruik comfortabeler werkt. Wees extra voorzichtig wanneer u de schakelaar in de "AAN"-stand vergrendelt en houd het gereedschap altijd stevig vast.

Om het gereedschap te starten, schuift u de schuifschakelaar naar de "I (AAN)"-stand door op de achterkant van de schuifschakelaar te drukken. Voor continu gebruik drukt u de voorkant van de schuifschakelaar in, om die te vergrendelen.

Om het gereedschap te stoppen drukt u op de achterkant van de schuifschakelaar en schuift u die naar de "O (UIT)"-stand.

Verklikkerlampje (Fig. 3)

Het verklikkerlampje licht groen op wanneer het gereedschap van stroom wordt voorzien. Als het verklikkerlampje niet oplicht, kan er iets mis zijn met het netsnoer of met de regeleenheid. Als het verklikkerlampje wel oplicht maar het gereedschap niet start na inschakelen van het apparaat, dan kunnen de koolborstels versleten zijn of de regeleenheid, de motor of de AAN/UIT-schakelaar defect zijn.

Beveiliging tegen onbedoeld inschakelen

Soms kan het gereedschap niet starten, terwijl de schakelaar in de AAN-stand is vergrendeld en het apparaat van stroom wordt voorzien.

In dat geval zal het verklikkerlampje rood knipperen om aan te geven dat de beveiliging tegen onbedoeld inschakelen in werking is getreden.

Om de beveiliging tegen onbedoeld inschakelen te deactiveren, schuift u de aan/uit-schakelaar terug naar de "O (UIT)"-stand.

Snelheidsregelknop (Fig. 4)

U kunt het toerental kiezen door de snelheidsregelknop in de gewenste stand van 1 tot 5 te zetten.

U verkrijgt een hoger toerental naarmate u de snelheidsregelknop verder naar de stand 5 draait.

En een lager toerental verkrijgt u naarmate u de snelheidsregelknop verder naar de stand 1 draait.

Zie de onderstaande tabel voor de toerentallen die behoren bij de cijferaanduidingen op de snelheidsregelknop.

Cijferaanduiding	min ⁻¹ (R.P.M.)
1	2 000
2	3 000
3	4 000
4	5 500
5	7 800

012757

⚠ LET OP:

- Als u het gereedschap langdurig achtereen op een laag toerental laat draaien, kan de motor overbelast en oververhit raken.
- De snelheidsregelknop kan enkel tot 5 en terug tot 1 gedraaid worden. Probeer niet om de knop voorbij de 5 of verder terug dan 1 te draaien, want daardoor kan de snelheidsregelaar defect raken.

Elektronische functies

Gereedschappen met elektronische functies zijn eenvoudig te bedienen dankzij de volgende mogelijkheden.

Constante snelheidsregeling

Met de constante snelheidsregeling verkrijgt u een gelijkmatige afwerking, omdat het toerental ook bij belasting constant wordt gehouden.

Soepele startfunctie

De soepele startfunctie voorkomt het abrupt schoksgewijze starten.

Overbelastingsbeveiliging

Wanneer de belasting van het gereedschap het toegestane peil overschrijdt, wordt de stroomtoevoer naar de motor verminderd, om oververhitting te voorkomen. Zodra de belasting daalt tot binnen het toegestane bereik, zal het gereedschap weer normaal werken.

INEENZETTEN

⚠ LET OP:

- Zorg altijd dat het gereedschap is uitgeschakeld en de stekker uit het stopcontact is verwijderd alvorens enig werk aan het gereedschap uit te voeren.

Aanbrengen van de zijhandgreep (Fig. 5 en 6)

⚠ LET OP:

- Controleer voor het gebruik altijd even of de zijhandgreep stevig is bevestigd.

Verwijder een van de schroeven waarmee het kopdeksel vast zit. Schroef vervolgens de zijhandgreep vast in de schroefopening.

Aanbrengen van het schuurvlak en de slijpschijf (Fig. 7 en 8)

Verwijder alle stof en vuil van het schuurvlak.

Schroef het schuurvlak op de as terwijl u de asvergrendeling ingedrukt houdt.

Breng de slijpschijf precies midden op het schuurvlak aan. Let op de het schuurvlak niet uitsteekt voorbij de rand van de slijpschijf.

Om de slijpschijf te verwijderen, trekt u de rand ervan los van het schuurvlak.

BIJ GEBRUIK ALS SLIJPMACHINE (Fig. 9, 10 en 11)

Voor gebruik van het gereedschap als slijpmachine verwijdert u het kopdeksel en bevestigt u de zijhandgreep en een optionele beschermkap.

Draai de schroeven los en verwijder het kopdeksel.

Schroef de zijhandgreep stevig vast aan de juiste plaats van het gereedschap, zoals in de afbeelding getoond.

⚠ LET OP:

- Controleer voor het gebruik altijd even of de zijhandgreep stevig is bevestigd.

Aanbrengen en verwijderen van de beschermkap (voor een schijf met verzonken middengat, een klepschijf, buigzaam wiel, schijfvormige draadborstel / doorslijpwiël of diamantschijf) (optioneel accessoire) (Fig. 12, 13 en 14)

⚠ WAARSCHUWING:

- Voor gebruik van een schijf met verzonken middengat, een klepschijf, buigzaam wiel of schijfvormige draadborstel moet de beschermkap op het gereedschap zijn aangebracht, zodanig dat de gesloten kant van de beschermkap altijd naar de gebruiker is gericht.
- Bij gebruik van een doorslijpwiël / diamantschijf mag u alleen de speciale beschermkap gebruiken, die ontworpen is voor gebruik met doorslijpwielen. (In sommige Europese landen kan bij gebruik van een diamantslijpschijf worden volstaan met de gewone beschermkap. Volg de voorschriften die in uw land gelden.)

Voor gereedschap met een beschermkap met borgschroef

Monteer de beschermkap met de uitsteeksels aan de beschermkapband recht tegenover de inkepingen in de kussenblokkast. Draai vervolgens de beschermkap 180° linksom, tegen de klok in. Draai de schroef vooral stevig vast.

Voor het verwijderen van de beschermkap volgt u de aanwijzingen voor het aanbrengen in omgekeerde volgorde.

Voor gereedschappen met een beschermkap met klemhendel

Trek de hendel in de richting van de pijl nadat u de schroef hebt losgedraaid. Monteer de beschermkap met de uitsteeksel aan de beschermkapband recht tegenover de inkepingen in de kussenblokkast. Vervolgens draait u de beschermkap 180° rond.

Zet de beschermkap vast door de schroef aan te draaien nadat u de hendel in de richting van de pijl hebt getrokken. De instelhoek van de beschermkap is instelbaar met de hendel.

Voor het verwijderen van de beschermkap volgt u de aanwijzingen voor het aanbrengen in omgekeerde volgorde.

Aanbrengen of verwijderen van een schijf met verzonken middengat of klepschijf (optioneel accessoire) (Fig. 15 en 16)

⚠ WAARSCHUWING:

- Bij gebruik van een schijf met verzonken middengat of klepschijf moet de beschermkap op het gereedschap worden aangebracht, zodanig dat de gesloten kant van de beschermkap altijd naar de gebruiker is gericht.

Bevestig de binnenflens. Pas het wiel/de schijf op de binnenflens en draai de borgmoer op de middenas vast.

Om de borgmoer vast te draaien, drukt u de asvergrendeling stevig aan zodat de as niet kan draaien en dan gebruikt u de borgmoersleutel om de borgmoer kloksgewijze vast te draaien.

Voor het verwijderen van het wiel volgt u de werkwijze voor het aanbrengen in omgekeerde volgorde.

Superflens (optioneel accessoire)

Modellen met de letter F zijn standaard voorzien van een superflens. Hierbij is slechts 1/3 van de kracht nodig voor het losmaken van de borgmoer, vergeleken met het conventionele type.

⚠ LET OP:

- Gebruik geen superflens voor modellen die voorzien zijn van een mechanische rem. Anders kan die losraken wanneer de rem wordt aangetrokken.

Aanbrengen of verwijderen van een Ezynut-sluitmoer (optioneel accessoire) (Fig. 17, 18, 19 en 20)

⚠ LET OP:

- Gebruik geen Ezynut-moer met een superflens of een haakse slijpmachine met een "F" aan het eind van het modelnummer. Die hebben een flens die zo dik is dat de gehele schroefdraad niet binnen de as past.

Bevestig de binnenflens, het slijpwiel en de Ezynut-sluitmoer zodanig op de as dat de Makita-merknaam op de Ezynut-sluitmoer naar buiten wijst.

Druk de asvergrendeling stevig aan en draai de Ezynut-sluitmoer aan door het slijpwiel zover als mogelijk kloksgewijze vast te draaien.

Draai de buitenste ring van de Ezynut-sluitmoer tegen de klok in om die los te draaien.

OPMERKING:

- De Ezynut-sluitmoer kan met de hand worden losgedraaid zolang de pijl naar een inkeping wijst. Anders is er een borgmoersleutel vereist om de moer los te draaien. Steek een uiteinde van de sleutel in een opening en draai de Ezynut-sluitmoer linksom los.

Aanbrengen of verwijderen van een buigzaam wiel (optioneel accessoire) (Fig. 21)

⚠ WAARSCHUWING:

- Gebruik altijd de bijgeleverde beschermkap wanneer een buigzaam wiel op het gereedschap is bevestigd. Het wiel zou tijdens gebruik kunnen uiteenspatten, en in dat geval helpt de beschermkap om verwondingen te voorkomen.

Voor een schijf met verzonken middengat volgt u de aanwijzingen, maar brengt u tevens een plastic rugschijf bovenop het wiel aan. De volgorde voor het aanbrengen vindt u op de accessoirepagina in deze handleiding.

Aanbrengen of verwijderen van een slijpschijf (optioneel accessoire) (Fig. 22)

OPMERKING:

- Gebruik de slijpaccessoires die staan voorgeschreven in deze handleiding. Deze moeten afzonderlijk worden aangeschaft.

Bevestig de rubberen rugschijf op de as. Pas de schijf op de rubberen rugschijf en schroef de borgmoer voor de slijpschijf. Om de borgmoer voor de slijpschijf vast te zetten, drukt u de asvergrendeling stevig aan zodat de as niet kan draaien en dan gebruikt u de borgmoersleutel om de borgmoer kloksgewijze vast te draaien.

Voor het verwijderen van de schijf volgt u de werkwijze voor het aanbrengen in omgekeerde volgorde.

Aanbrengen of verwijderen van een stofkap-aanzetstuk (optioneel accessoire) (Fig. 23)

⚠ WAARSCHUWING:

- **Zorg altijd dat het gereedschap is uitgeschakeld en de stekker uit het stopcontact is getrokken, voordat u het stofkap-aanzetstuk gaat aanbrengen of verwijderen.** Als u dit nalaat, kan er schade aan het gereedschap ontstaan en loopt u de kans op verwonding.

Er zijn vier stofkap-aanzetstukken, en elk ervan wordt op een verschillende plaats gebruikt.

Breng het stofkap-aanzetstuk zo aan dat de markering (A, B, C of D) is geplaatst zoals getoond. Klik de pennen vast in de ventilatiesleuven.

Het stofkap-aanzetstuk kan met de hand worden verwijderd.

OPMERKING:

- Maak het stofkap-aanzetstuk schoon wanneer het is vuil is, door stof of andere verontreiniging. Als u blijft werken met een verstopt stofkap-aanzetstuk, kan dat het gereedschap beschadigen.

BEDIENING

⚠ WAARSCHUWING:

- Het is in geen geval ooit nodig om grote druk op het gereedschap uit te oefenen. Het gewicht van het gereedschap op zich is voldoende. Forceren of te grote druk uitoefenen kan leiden tot breken van een wiel, hetgeen gevaarlijk is.
- Vervang ALTIJD het slijpwiel als het gereedschap tijdens het slijpen is gevallen.
- Laat NOOIT de slijpschijf of het wiel met kracht op uw werkstuk terecht komen.
- Voorkom dat de schijf vastraakt of terugstuit, vooral bij het werken rond hoeken, scherpe randen enz. Dat kan ongecontroleerde bewegingen en terugslag veroorzaken.

- Gebruik dit gereedschap NOOIT met houtzagen en andere zaagbladen. Zulke zaagbladen op een slijpmachine leiden vaak tot terugslag of verlies van controle over het gereedschap, met grote kans op letsel.

⚠ LET OP:

- Schakel nooit het gereedschap in terwijl dat het werkstuk al raakt, want dat kan leiden tot verwondingen.
- Draag tijdens het werk altijd een veiligheidsbril of gezichtsmasker.
- Schakel na het werk altijd het gereedschap uit en wacht tot de schijf helemaal tot stilstand is gekomen, voordat u het gereedschap neerlegt.

Bediening voor slijpen en schuren (Fig. 24)

Houd het gereedschap ALTIJD stevig vast met één hand aan de behuizing en de andere aan de zijhandgreep. Raak de metalen delen niet aan. Schakel het gereedschap in en laat dan pas het wiel of de schijf tegen uw werkstuk aan komen.

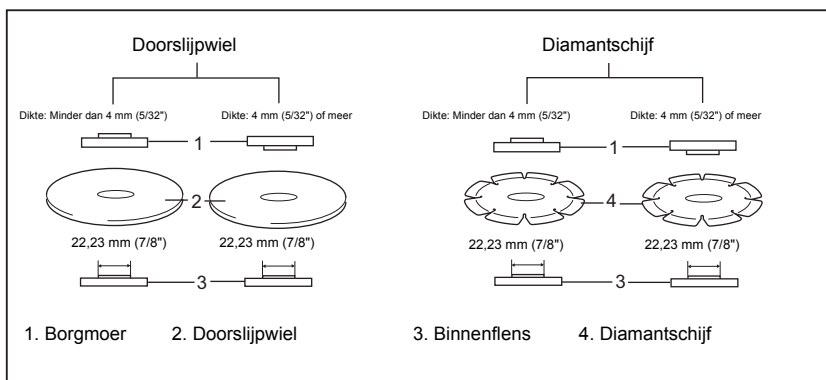
Gewoonlijk laat u de rand van het wiel of de schijf een hoek van ongeveer 15° met het oppervlak van uw werkstuk maken.

Tijdens het inwerken met een nieuw wiel mag u de slijpmachine niet in richting B laten bewegen, anders kan het zich in uw werkstuk "invreten". Pas wanneer de rand van het wiel al door slijtage is afgerond, mag u het wiel in beide richtingen, A en B, gebruiken.

Bediening met een doorslijpwiel / diamantschijf (optioneel accessoire) (Fig. 25)

De richting voor het aanbrengen van de borgmoer en de binnenflens is afhankelijk van de wioldikte.

Zie de onderstaande tabel.



011644

⚠ WAARSCHUWING:

- Bij gebruik van een doorslijpwiel / diamantschijf mag u alleen de speciale beschermkap gebruiken, die ontworpen is voor gebruik met doorslijpwielen. (In sommige Europese landen kan bij gebruik van een diamantslijpschijf worden volstaan met de gewone beschermkap. Volg de voorschriften die in uw land gelden.)
- Gebruik NOOIT een doorslijpwiel voor zijwaarts slijpen.
- Laat de schijf niet vastlopen en oefen er niet teveel druk op uit. Probeer niet een buitensporig diepe snede te slijpen. Een te grote kracht op de schijf verhoogt de belasting en de kans dat de schijf in de snede verdraait of vastloopt, waardoor terugslag kan optreden, de schijf kan breken of de motor oververhit kan raken.
- Begin niet met slijpen terwijl de schijf al in aanraking is met het werkstuk. Wacht totdat het wiel op volle snelheid is gekomen en breng het voorzichtig in de snede terwijl u het gereedschap voorwaarts beweegt over uw werkstuk. Als het elektrisch gereedschap wordt gestart terwijl de schijf al in het werkstuk steekt, kan de schijf vastlopen, omhoog lopen of terugslaan.

- Verander tijdens het doorslijpen nooit de stand of hoek van het wiel. Als er zijwaartse druk op een doorslijpwiel komt te staan (zoals bij vlaklijpen), kan het wiel barsten en breken, met kans op ernstig lichamelijk letsel.
- Een diamantschijf moet altijd haaks worden gebruikt op het materiaal waarin u snijdt.

Bediening met een komvormige draadborstel (optioneel accessoire) (Fig. 26)

⚠ LET OP:

- Controleer de werking van de draadborstel door het gereedschap eerst onbelast te laten draaien en zorg dat er niemand vóór of direct naast de borstel is.
- Gebruik nooit een draadborstel die beschadigd of niet goed in evenwicht is. Het gebruik van een beschadigde borstel kan leiden tot kans op verwonding door contact met afgebroken borsteldraden.

Trek de stekker los en plaats het gereedschap ondersteboven zodat de as goed toegankelijk is. Verwijder alle accessoires van de as. Draai de draadborstel op de as en zet deze vast met de bijgeleverde sleutel. Bij gebruik van een draadborstel mag u niet zo veel kracht zetten dat de draden overmatig buigen, anders kunnen ze voortijdig afbreken.

Bediening met een schijfvormige draadborstel (optioneel accessoire) (Fig. 27)

LET OP:

- Controleer de werking van de draadborstel door het gereedschap eerst onbelast te laten draaien en zorg dat er niemand vóór of direct naast de borstel is.
- Gebruik nooit een schijfvormige draadborstel die beschadigd of niet goed in evenwicht is. Het gebruik van een beschadigde schijfvormige draadborstel kan leiden tot kans op verwonding door contact met afgebroken borsteldraden.
- Gebruik met een schijfvormige draadborstel ALTIJD een beschermkap met een diameter waar de draadschijf goed in past. Het wiel zou tijdens gebruik kunnen uiteenspatten, en in dat geval helpt de beschermkap om verwondingen te voorkomen.

Trek de stekker los en plaats het gereedschap ondersteboven zodat de as goed toegankelijk is. Verwijder alle accessoires van de as. Draai de schijfvormige draadborstel op de as en zet deze vast met de bijgeleverde sleutel.

Bij gebruik van een schijfvormige draadborstel mag u niet zo veel kracht zetten dat de draden overmatig buigen, anders kunnen ze voortijdig afbreken.

ONDERHOUD

LET OP:

- Zorg altijd dat het gereedschap is uitgeschakeld en de stekker uit het stopcontact is verwijderd alvorens te beginnen met inspectie of onderhoud.
- Gebruik nooit benzine, wasbenzine, thinner, alcohol en dergelijke. Hierdoor kunnen verkleuring, vervormingen en barsten worden veroorzaakt.

Zorg dat het gereedschap en de ventilatiesleuven steeds goed schoon blijven. Maak regelmatig de ventilatiesleuven schoon en let goed op dat ze niet verstopt raken. (Fig. 28)

Om de VEILIGHEID en BETROUWBAARHEID van het gereedschap te handhaven, dienen alle reparaties, inspectie en vervanging van de koolborstels, en alle andere onderhoudswerkzaamheden of afstellingen te worden uitgevoerd bij een erkend Makita servicecentrum, en altijd met gebruik van originele Makita vervangingsonderdelen.

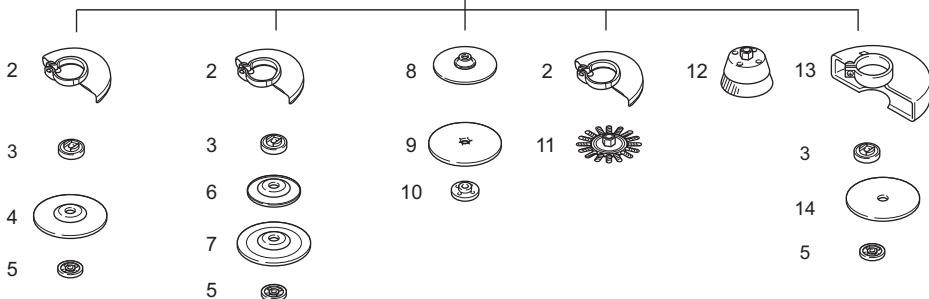
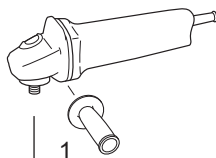
OPTIONELE ACCESSOIRES

LET OP:

- Deze accessoires of hulpstukken worden aanbevolen voor gebruik met het Makita gereedschap dat in deze gebruiksaanwijzing is beschreven. Bij gebruik van andere accessoires of hulpstukken bestaat er gevaar voor persoonlijke verwonding. Gebruik de accessoires of hulpstukken uitsluitend voor hun bestemde doel.

Raadpleeg het dichtstbijzijnde Makita servicecentrum voor verder advies of bijzonderheden omtrent deze accessoires.

- Slijpschijf
- Stofkap-aanzetstuk



	Model voor 115 mm (4-1/2")	Model voor 125 mm (5")
1	Greep 36	
2	Beschermkap (voor slijpwiël)	
3	Binnenflens 42 Superflens 47 *1	
4	Schijf met verzonken middengat/Klepschijf	
5	Borgmoer 14-45 Ezynut-sluitmoer *2	
6	Plastic rugschijf	
7	Buigzaam wiel	
8	Rubberen rugschijf 100	Rubberen rugschijf 115
9	Slijpschijf	
10	Borgmoer voor slijpschijf 14-48	
11	Schijfvormige draadborstel	
12	Komvormige draadborstel	
13	Beschermkap (voor doorslijpwiël) *3	
14	Doorslijpwiël/diamantschijf	
-	Borgmoersleutel 35	

Opmerking:

*1 Gebruik geen superflens voor een slijpmachine voorzien van een remfunctie.

*2 Gebruik geen superflens en Ezynut-sluitmoer tegelijk.

*3 In sommige Europese landen kan bij gebruik van een diamantslijpschijf worden volstaan met de gewone beschermkap in plaats van de speciale beschermkap die beide kanten van het wiel afschermt. Volg de voorschriften die in uw land gelden.

012987

OPMERKING:

• Sommige onderdelen in deze lijst kunnen bij het gereedschap zijn meegeleverd als standaard-accessoires. Deze kunnen van land tot land verschillen.

Geluidsniveau

De typisch, A-gewogen geluidsniveaus vastgesteld volgens EN60745:

- Geluidsdruk-niveau (L_{pA}): 84 dB (A)
- Geluidsenergie-niveau (L_{WA}): 95 dB (A)
- Onnauwkeurigheid (K): 3 dB (A)

Draag oorbeschermers

ENG900-1

Trilling

De totaalwaarde van de trillingen (triaxiale vectorsom) vastgesteld volgens EN60745:

Toepassing: schijfslijpen met een trillingsdempende zijhandgreep

- Trillingsemisatie ($a_{h,DS}$): 2,5 m/s² of lager
- Onnauwkeurigheid (K): 1,5 m/s²

Toepassing: schijfslijpen met een normale zijhandgreep

- Trillingsemisatie ($a_{h,DS}$): 2,5 m/s² of lager
- Onnauwkeurigheid (K): 1,5 m/s²

Toepassing: vlakslijpen met een trillingsdempende zijhandgreep

- Trillingsemisatie ($a_{h,AG}$): 4,0 m/s²
- Onnauwkeurigheid (K): 1,5 m/s²

Toepassing: vlakslijpen met een normale zijhandgreep

- Trillingsemisatie ($a_{h,AG}$): 5,0 m/s²
- Onnauwkeurigheid (K): 1,5 m/s²

ENG902-1

- De opgegeven trillingsemisatiewaarde is gemeten volgens de standaardtestmethode en kan worden gebruikt om dit gereedschap te vergelijken met andere gereedschappen.
- De opgegeven trillingsemisatiewaarde kan ook worden gebruikt voor een beoordeling vooraf van de blootstelling.
- De opgegeven trillingsemisatiewaarde geldt voor de voornaamste toepassingen van het elektrisch gereedschap. Als het elektrisch gereedschap echter voor andere toepassingen wordt gebruikt, kan de trillingsemisatiewaarde daarvoor anders zijn.

⚠ WAARSCHUWING:

- De trillingsemisatie tijdens het gebruik van het elektrisch gereedschap in de praktijk kan verschillen van de opgegeven trillingsemisatiewaarde afhankelijk van de manier waarop het gereedschap wordt gebruikt.
- Zorg ervoor dat veiligheidsmaatregelen worden getroffen ter bescherming van de operator die zijn gebaseerd op een schatting van de blootstelling onder praktijkomstandigheden (rekening houdend met alle fasen van de bedrijfscyclus, zoals de tijdsduur gedurende welke het gereedschap is uitgeschakeld en stationair draait, naast de ingeschakelde tijdsduur).

Alleen voor Europese landen**EU-Verklaring van Conformiteit****Makita verklaart hierbij dat de volgende machine(s):**

Aanduiding van de machine:

Haakse schuurmachine

Modelnr./ Type: SA5040C

Voldoet aan de volgende Europese Richtlijnen:

2006/42/EU

Ze zijn gefabriceerd in overeenstemming met de volgende norm of genormaliseerde documenten:

EN60745

Het technisch documentatiebestand volgens 2006/42/EU is verkrijgbaar in:

Makita, Jan-Baptist Vinkstraat 2, 3070, België

1.2.2016



Yasushi Fukaya
Directeur

Makita, Jan-Baptist Vinkstraat 2, 3070, België

Explicación de los dibujos

1 Bloqueo del eje	13 Palanca	27 Marca B
2 Interruptor deslizable	14 Contratuerca	28 Marca C
3 Lámpara de indicación (dial de regulación de la velocidad)	15 Disco de centro hundido	29 Marca D
4 Dial de regulación de la velocidad	16 Brida interior	30 Disco de corte abrasivo/disco de diamante
5 Tornillo	17 Llave de contratuerca	31 Protector de disco para disco de corte abrasivo/disco de diamante
6 Disco abrasivo	18 Tuerca Ezynut	32 Cepillo de alambre en copa
7 Plato	19 Muela abrasiva	33 Cepillo circular de alambre
8 Eje	20 Flecha	34 Abertura de salida de aire
9 Cubierta del cabezal	21 Muesca	35 Abertura de entrada de aire
10 Caja del engranaje	22 Disco flexible	
11 Protector de disco	23 Plato de plástico	
12 Caja de cojinetes	24 Contratuerca para lijar	
	25 Plato de goma	
	26 Marca A	

ESPECIFICACIONES

Modelo	SA5040C
Diámetro del disco abrasivo	125 mm
Diámetro del disco	115 mm o 125 mm (Dependiendo del protector de disco opcional)
Grosor máx. del disco	6,4 mm
Rosca del eje	M14
Velocidad especificada (n) / Velocidad sin carga (n ₀)	7.800 min ⁻¹
Longitud total	315 mm
Peso neto	2,2 kg
Clase de seguridad	□/II

GEB097-3

- Debido a un programa continuo de investigación y desarrollo, las especificaciones aquí dadas están sujetas a cambios sin previo aviso.
- Las especificaciones pueden ser diferentes de país a país.
- Peso de acuerdo con el procedimiento EPTA 01/2003

ENE094-1

Uso previsto

La herramienta ha sido prevista para esmerilar, lijar y cortar metales y materiales de piedra sin utilizar agua. Para esmerilar y cortar, deberán estar montados los protectores de muela correctos.

ENF002-2

Alimentación

La herramienta ha de conectarse solamente a una fuente de alimentación de la misma tensión que la indicada en la placa de características, y sólo puede funcionar con corriente alterna monofásica. El sistema de doble aislamiento de la herramienta puede, por lo tanto, usarse también en enchufes hembra sin conductor de tierra.

GEA010-1

Advertencias de seguridad generales para herramientas eléctricas

⚠ ¡ADVERTENCIA! Lea todas las advertencias de seguridad y todas las instrucciones. Si no sigue todas las advertencias e instrucciones podrá ocasionar una descarga eléctrica, un incendio y/o heridas graves.

Guarde todas las advertencias e instrucciones para futuras referencias.

ADVERTENCIAS DE SEGURIDAD PARA LA PULIDORA/ESMERILADORA

Advertencias de seguridad comunes para las operaciones de amolar, pulir, cepillar con alambres, o corte abrasivo:

1. **Esta herramienta eléctrica ha sido prevista para funcionar como amoladora, lijadora, cepillo de alambres o herramienta de corte. Lea todas las advertencias de seguridad, instrucciones, ilustraciones y especificaciones provistas con esta herramienta eléctrica.** Si no sigue todas las instrucciones indicadas a continuación, podrá ocasionar una descarga eléctrica, un incendio y/o heridas graves.
2. **Operaciones tales como las de pulido no se recomienda realizarlas con esta herramienta eléctrica.** La realización de operaciones para las que esta herramienta eléctrica no ha sido diseñada podrá crear un riesgo y ocasionar heridas.
3. **No utilice accesorios que no estén específicamente diseñados y recomendados por el fabricante de la herramienta.** El simple hecho de que el accesorio pueda ser instalado en su herramienta eléctrica no garantiza una operación segura.

4. **La velocidad especificada del accesorio deberá ser por lo menos igual a la máxima velocidad marcada en la herramienta eléctrica.** Los accesorios utilizados por encima de su velocidad especificada podrán romperse y salir despedidos.
 5. **El diámetro exterior y el grosor de su accesorio deberán estar dentro del rango de capacidad de su herramienta eléctrica.** Los accesorios de tamaño incorrecto no podrán ser protegidos y controlados debidamente.
 6. **El montaje a rosca de los accesorios deberá coincidir con la rosca del mandril de la esmeriladora. Para accesorios montados con bridas, el agujero para eje del accesorio deberá encajar en el diámetro de ubicación de la brida.** Los accesorios que no coincidan con el mecanismo de montaje de la herramienta eléctrica se desequilibrarán, vibrarán excesivamente y podrán ocasionar una pérdida de control.
 7. **No utilice un accesorio que esté dañado. Antes de cada uso, inspeccione los accesorios tales como el disco abrasivo por si está astillado o agrietado, el plato de caucho por si está agrietado, rasgado o muy desgastado, el cepillo de alambres por si tiene alambres sueltas o quebradas. Si deja caer la herramienta eléctrica o el accesorio, inspecciónelos para ver si están dañados o instale uno que no esté dañado.** Después de inspeccionar e instalar un accesorio, póngase usted y cualquier curioso alejados del plano del accesorio giratorio y haga funcionar la herramienta a la máxima velocidad sin carga durante un minuto. Los accesorios dañados normalmente se desintegrarán durante este tiempo de prueba.
 8. **Póngase equipo de protección personal. En función de la aplicación, utilice pantalla facial, gafas de protección o gafas de seguridad. Según corresponda, póngase mascarilla contra el polvo, protectores auditivos, guantes y delantal de taller que pueda detener los pequeños fragmentos abrasivos o de pieza de trabajo que salgan despedidos.** La protección de los ojos deberá poder detener los desechos despedidos generados en distintas operaciones. La mascarilla contra el polvo o respirador deberá poder filtrar las partículas generadas por la operación que realice. Una exposición prolongada a ruido de alta intensidad podrá ocasionar pérdida auditiva.
 9. **Mantenga a los curiosos a una distancia segura del área de trabajo. Cualquier persona que entre en el área de trabajo deberá ponerse equipo de protección personal.** Los fragmentos de la pieza de trabajo o de un accesorio roto podrán salir despedidos y ocasionar heridas más allá del área de operación.
 10. **Cuando realice una operación en la que la herramienta de corte pueda entrar en contacto con cableado oculto o con su propio cable, sujete la herramienta eléctrica por las superficies de asimiento aisladas.** El contacto del accesorio de corte con un cable con corriente hará que la corriente circule por las partes metálicas expuestas de la herramienta eléctrica y podrá soltar una descarga eléctrica al operario.
 11. **Coloque el cable de alimentación apartado del accesorio giratorio.** Si pierde el control, el cable de alimentación podrá ser cortado o enredado y su mano o brazo ser arrastrado hacia el accesorio giratorio.
 12. **No deje nunca la herramienta eléctrica hasta que el accesorio se haya detenido completamente.** El accesorio giratorio podrá agarrarse a la superficie y tirar de la herramienta eléctrica haciéndole perder el control de la misma.
 13. **No tenga en marcha la herramienta eléctrica mientras la transporta en su costado.** Un contacto accidental con el accesorio giratorio podrá enredar sus ropas, y atraer el accesorio hacia su cuerpo.
 14. **Limpie regularmente los orificios de ventilación de la herramienta eléctrica.** El ventilador del motor conducirá el polvo hacia el interior de la carcasa y una acumulación excesiva de metal en polvo podrá ocasionar peligros eléctricos.
 15. **No utilice la herramienta eléctrica cerca de materiales inflamables.** Las chispas podrán encender estos materiales.
 16. **No utilice accesorios que requieran refrigerantes líquidos.** La utilización de agua u otros refrigerantes líquidos podrá resultar en una descarga eléctrica o electrocución.
- Advertencias sobre retrocesos bruscos y otros peligros relacionados**
- El retroceso brusco es una reacción repentina debida a un aprisionamiento o estancamiento del disco, plato de caucho, cepillo o cualquier otro accesorio giratorio. El aprisionamiento o estancamiento ocasiona un detenimiento rápido del accesorio giratorio que a su vez hace que la herramienta eléctrica descontrolada sea forzada en dirección opuesta a la rotación del accesorio en el punto de bloqueo.
- Por ejemplo, si el disco abrasivo queda aprisionado o estancado por la pieza de trabajo, el borde del disco que está entrando en el punto de estancamiento puede hincarse en la superficie del material haciendo que el disco se salga de la hendidura o salte. El disco podrá saltar hacia el operario o en dirección contraria a él, dependiendo de la dirección del movimiento del disco en el punto de estancamiento. Los discos abrasivos también podrán romperse en estas condiciones.
- El retroceso brusco es el resultado de un mal manejo de la herramienta eléctrica y/o procedimientos o condiciones de operación incorrectos y pueden evitarse tomando las precauciones apropiadas ofrecidas a continuación.
- a) **Mantenga agarrada firmemente la herramienta eléctrica y coloque su cuerpo y brazo de forma que le permitan resistir las fuerzas del retroceso brusco. Utilice siempre el mango auxiliar, si está provisto, para tener el máximo control sobre el retroceso brusco o reacción de torsión durante la puesta en marcha.** El operario puede controlar las reacciones de torsión o fuerzas del retroceso brusco, si toma las precauciones adecuadas.
 - b) **No ponga nunca su mano cerca del accesorio giratorio.** El accesorio podrá retroceder bruscamente sobre su mano.

- c) **No ponga su cuerpo en el área donde vaya a desplazarse la herramienta eléctrica si ocurre un retroceso brusco.** El retroceso brusco propulsará la herramienta en dirección opuesta al movimiento del disco en el punto del enredo.
- d) **Tenga cuidado especial cuando trabaje esquinas, bordes afilados, etc. Evite que el accesorio rebote o se enrede.** Las esquinas, bordes afilados o los rebotes tienen una tendencia a enredar el accesorio giratorio y causar una pérdida de control o retroceso brusco.
- e) **No coloque un disco de tallar madera de cadena de sierra ni un disco de sierra dentado.** Tales discos crean retrocesos bruscos y pérdida de control frecuentes.

Advertencias de seguridad específicas para operaciones de amolar y corte abrasivo:

- a) **Utilice solamente tipos de disco que estén recomendados para su herramienta eléctrica y el protector específico diseñado para el disco seleccionado.** Los discos para los que no ha sido diseñada la herramienta eléctrica no pueden ser protegidos debidamente y no son seguros.
- b) **La superficie amoladora de los discos de centro hundido deberá estar montada por debajo del nivel de la falda del protector de disco.** Un disco mal montado que sobresalga a través del nivel de la falda del protector de disco no estará bien protegido.
- c) **El protector de disco deberá estar fijado firmemente en la herramienta eléctrica y colocado de forma que ofrezca la máxima seguridad, quedando hacia el operario la mínima parte de disco desprotegida.** El protector de disco ayuda a proteger al operario de fragmentos de un disco roto, de un contacto accidental con el disco y de chispas que pueden prender fuego a sus ropas.
- d) **Los discos deberán ser utilizados solamente para aplicaciones recomendadas. Por ejemplo: no amole con el costado de un disco de corte.** Los discos de corte abrasivo están previstos para amolado periférico, estos discos podrán desintegrarse si se le aplican fuerzas laterales.
- e) **Utilice siempre bridas de disco que no estén dañadas, y del tamaño y forma correctos para el disco que ha seleccionado.** Las bridas de disco correctas sujetan los discos de tal manera que reducen la posibilidad de que el disco se rompa. Las bridas para discos de corte pueden ser diferentes de las bridas para discos de amolar.
- f) **No utilice discos gastados de otras herramientas eléctricas más grandes.** Los discos previstos para herramientas eléctricas más grandes no son apropiados para la máxima velocidad de una herramienta más pequeña y puede reventarla.

Advertencias de seguridad adicionales para operaciones de corte abrasivo:

- a) **No “atasque” el disco de corte ni aplique presión excesiva. No intente hacer un corte de excesiva profundidad.** Si fatiga en exceso el disco, aumentará la carga y la susceptibilidad de retorcerse o estancarse en el surco y existirá la posibilidad de que se produzca un retroceso brusco o la rotura del disco.
- b) **No ponga su cuerpo en línea y por detrás del disco giratorio.** Cuando el disco, en el punto de operación, se mueve apartándose de su cuerpo, un posible retroceso brusco puede impulsar el disco giratorio y la herramienta eléctrica directamente hacia usted.
- c) **Cuando el disco esté estancándose o cuando quiera interrumpir un corte por cualquier razón, apague la herramienta eléctrica y sujétela sin moverla hasta que se haya detenido completamente. No intente nunca sacar el disco de corte del corte estando el disco moviéndose porque podrá producirse un retroceso brusco.** Investigue y tome medidas correctivas para eliminar la causa del estancamiento del disco.
- d) **No recomience la operación de corte en la pieza de trabajo. Deje que el disco alcance plena velocidad y vuelva a entrar en el corte cuidadosamente.** Si vuelve a poner en marcha la herramienta eléctrica en la pieza de trabajo, el disco podrá estancarse, saltar o retroceder bruscamente.
- e) **Sujete los paneles o cualquier pieza de trabajo demasiado grande para minimizar el riesgo de que el disco se estanque o retroceda bruscamente.** Las piezas de trabajo grandes tienden a combarse con su propio peso. Deberá poner apoyos debajo de la pieza de trabajo cerca de la línea de corte y cerca del borde de la pieza de trabajo en ambos lados del disco.
- f) **Extreme las precauciones cuando haga un “corte por hundimiento” en paredes u otras áreas ciegas.** La parte saliente del disco podría cortar tuberías de gas o agua, cables eléctricos u objetos que pueden ocasionar un retroceso brusco.

Advertencias de seguridad específicas para operaciones de lijado:

- a) **No utilice discos de papel de lijar de tamaño excesivamente grandes. Siga las recomendaciones del fabricante a la hora de seleccionar el papel de lijar.** Un papel de lijar más grande que sobresalga del plato de caucho presentará un riesgo de laceración y podrá ocasionar un enredo o desgarre del disco o un retroceso brusco.

Advertencias de seguridad específicas para operaciones de cepillado con alambres:

- a) **Sea consciente de que el cepillo lanza hebras de alambre incluso durante una operación normal. No fatigue los alambres aplicando una carga excesiva al cepillo.** Las hebras de alambre pueden penetrar la ropa ligera y/o la piel fácilmente.

- b) Si se recomienda utilizar un protector para el cepillado con alambres, no deje que el disco de alambres o el cepillo interfiera con el protector. El disco de alambres o el cepillo podrán expandir su diámetro debido a la carga del trabajo y las fuerzas centrífugas.

Advertencias de seguridad adicionales:

17. Cuando utilice discos de amolar de centro hundido, asegúrese de utilizar solamente discos reforzados con fibra de vidrio.
18. **NO UTILICE NUNCA** discos de tipo copa de piedra con esta amoladora. Esta amoladora no ha sido diseñada para estos tipos de discos y la utilización de un producto como ese podrá resultar en graves heridas personales.
19. Tenga cuidado de no dañar el eje, la brida (especialmente la cara de instalación) ni la contratuerca. Los daños en estas piezas podrán ocasionar la rotura del disco.
20. Asegúrese de que el disco no esté haciendo contacto con la pieza de trabajo antes de activar el interruptor.
21. Antes de utilizar la herramienta en una pieza de trabajo definitiva, déjela funcionar durante un rato. Observe para ver si hay vibración o bamboleo que pueda indicar una incorrecta instalación o disco mal equilibrado.
22. Utilice la superficie especificada del disco para realizar el amolado.
23. No deje la herramienta en marcha. Tenga en marcha la herramienta solamente cuando la tenga en la mano.
24. No toque la pieza de trabajo inmediatamente después de la operación; podría estar muy caliente y quemarle la piel.
25. Observe las instrucciones del fabricante para montar y utilizar correctamente los discos. Maneje y guarde con cuidado los discos.
26. No utilice bujes de reducción ni adaptadores separados para adaptar un orificio grande de disco abrasivo.
27. Utilice solamente las bridas especificadas para esta herramienta.
28. Para herramientas que vayan a ser utilizadas con discos de orificio roscado, asegúrese de que la rosca del disco sea lo suficientemente larga como para acomodar la longitud del eje.
29. Compruebe que la pieza de trabajo esté bien sujeta.
30. Tenga en cuenta que el disco continuará girando después de haber apagado la herramienta.
31. Si el lugar de trabajo es muy caluroso y húmedo, o si está muy contaminado con polvo conductor, utilice un disyuntor de cortocircuito (30 mA) para cerciorarse de la seguridad del operario.
32. No utilice la herramienta con ningún material que contenga asbestos.
33. Cuando utilice discos de corte, trabaje siempre con el protector de disco de recogida de polvo requerido por los reglamentos locales.
34. Los discos de cortar no deberán ser expuestos a ninguna presión lateral.
35. No utilice guantes de trabajo de tejido durante la operación. Las fibras del tejido pueden entrar en la herramienta, lo que ocasionará la rotura de la herramienta.

⚠ ADVERTENCIA:

NO deje que la comodidad o familiaridad con el producto (a base de utilizarlo repetidamente) sustituya la estricta observancia de las normas de seguridad para el producto en cuestión. El MAL USO o el no seguir las normas de seguridad establecidas en este manual de instrucciones podrá ocasionar graves heridas personales.

DESCRIPCIÓN DEL FUNCIONAMIENTO

⚠ PRECAUCIÓN:

- Asegúrese siempre de que la herramienta esté apagada y desenchufada antes de ajustar o comprobar cualquier función de la herramienta.

Bloqueo del eje (Fig. 1)

⚠ PRECAUCIÓN:

- No accione nunca el bloqueo del eje cuando el eje esté moviéndose. Podría dañar la herramienta.

Presione el bloqueo del eje para impedir que el eje gire cuando vaya a instalar o desmontar accesorios.

Accionamiento del interruptor (Fig. 2)

⚠ PRECAUCIÓN:

- Antes de enchufar la herramienta, compruebe siempre para confirmar que el interruptor deslizable se acciona debidamente y que vuelve a la posición "OFF" cuando se presione la parte trasera del interruptor deslizable.
- El interruptor puede ser bloqueado en la posición "ON" para mayor comodidad del operario durante una utilización prolongada. Tenga precaución cuando bloquee la herramienta en la posición "ON" y mantenga la herramienta firmemente empuñada.

Para poner en marcha la herramienta, deslice el interruptor deslizable hacia la posición "I (ON)" empujando la parte trasera del interruptor deslizable. Para una operación continua, presione la parte delantera del interruptor deslizable para bloquearlo.

Para detener la herramienta, presione la parte trasera del interruptor deslizable, después deslícelo hacia la posición "O (OFF)".

Lámpara de indicación (Fig. 3)

La lámpara de indicación se enciende en verde cuando la herramienta está enchufada. Si la lámpara de indicación no se enciende, el cable de alimentación o el controlador podrán estar defectuosos. Si la lámpara de indicación está encendida pero la herramienta no se pone en marcha aun poniéndola en encendido, las escobillas de carbón podrán estar gastadas, o el controlador, el motor o el interruptor ON/OFF podrán estar defectuosos.

Prueba de reinicio involuntario

La herramienta no se pondrá en marcha con el interruptor estando bloqueado aun cuando la herramienta sea enchufada.

En esta situación, la lámpara de indicación parpadea en rojo y muestra que el dispositivo de prueba de reinicio involuntario está en funcionamiento.

Para cancelar la prueba de reinicio involuntario, vuelva a poner el interruptor deslizable en la posición "O (OFF)".

GUARDE ESTAS INSTRUCCIONES.

Dial de regulación de la velocidad (Fig. 4)

La velocidad de giro se puede graduar girando el dial de regulación de la velocidad a un número de ajuste determinado del 1 al 5.

Se obtendrá mayor velocidad cuando el dial sea girado en la dirección del número 5. Y se obtendrá menor velocidad cuando sea girado en la dirección del número 1.

Consulte la tabla de abajo para ver la relación existente entre el número de ajuste del dial y la velocidad de giro aproximada.

Número	min ⁻¹ (R.P.M.)
1	2.000
2	3.000
3	4.000
4	5.500
5	7.800

012757

⚠ PRECAUCIÓN:

- Si la herramienta funciona continuamente a baja velocidad durante largo tiempo, el motor se sobrecargará y recalentará.
- El dial de regulación de la velocidad se puede girar hasta 5 y de vuelta hasta 1 solamente. No lo fuerce más allá de 5 o 1, o la función de regulación de la velocidad podrá dejar de funcionar.

Función electrónica

Las herramientas equipadas con función electrónica son fáciles de utilizar gracias a las siguientes características.

Control de velocidad constante

El control de velocidad constante proporciona un acabado fino manteniendo la velocidad de giro constante en condición de carga.

Función de inicio suave

La función de inicio suave suprime el golpe de arranque.

Protector de sobrecarga

Cuando la carga en la herramienta excede niveles excesivos, se reduce la potencia del motor para proteger el motor contra el recalentamiento. Cuando la carga retorna a niveles admisibles, la herramienta funciona de modo normal.

MONTAJE

⚠ PRECAUCIÓN:

- Asegúrese siempre de que la herramienta esté apagada y desenchufada antes de realizar cualquier trabajo en ella.

Instalación de la empuñadura lateral (mango) (Fig. 5 y 6)

⚠ PRECAUCIÓN:

- Antes de la operación, asegúrese siempre de que la empuñadura lateral está instalada firmemente.

Quite uno de los tornillos que sujetan la cubierta del cabezal. Después, rosque la empuñadura lateral en el agujero del tornillo.

Instalación del plato y disco abrasivo (Fig. 7 y 8)

Retire toda la suciedad o materias extrañas del plato.

Rosque el plato en el eje con el bloqueo del eje resonado.

Coloque el disco abrasivo en el centro del plato. Ponga cuidado de que el plato quede por dentro del borde del disco abrasivo.

Para quitar el disco abrasivo, desprenda su borde del plato.

CUANDO SE UTILICE COMO ESMERILADORA (Fig. 9, 10 y 11)

Cuando utilice la herramienta como esmeriladora, quite la cubierta del cabezal e instale la empuñadura lateral y un protector de disco opcional.

Afloje los tornillos y quite la cubierta del cabezal.

Rosque la empuñadura lateral firmemente en la posición de la herramienta mostrada en la figura.

⚠ PRECAUCIÓN:

- Antes de la operación, asegúrese siempre de que la empuñadura lateral está instalada firmemente.

Instalación o desmontaje del protector de disco (Para disco de centro hundido, disco flap, disco flexible, cepillo circular de alambre / disco de corte abrasivo, disco de diamante) (accesorio opcional) (Fig. 12, 13 y 14)

⚠ ADVERTENCIA:

- Cuando se utilice un disco de centro hundido, disco flap, disco flexible o cepillo circular de alambre, el protector de disco deberá estar instalado en la herramienta de tal forma que el lado cerrado del protector siempre quede orientado hacia el operario.
- Cuando utilice un disco de corte abrasivo / disco de diamante, asegúrese de utilizar solamente el protector de disco especial diseñado para usar con discos de corte. (En algunos países europeos, cuando utilice un disco de diamante, podrá utilizar el protector ordinario. Siga los reglamentos de su país.)

Para herramienta con protector de disco de tipo tornillo de fijación

Monte el protector de disco con las protuberancias de la banda del protector de disco alineadas con las muescas de la caja de cojinetes. Después gire el protector de disco alrededor de 180° hacia la izquierda. Asegúrese de apretar el tornillo firmemente.

Para desmontar el protector de disco, siga el procedimiento de instalación a la inversa.

Para herramienta con protector de disco de tipo palanca de abrazadera

Empuje la palanca en la dirección de la flecha después de aflojar el tornillo. Monte el protector de disco con las protuberancias de la banda del protector de disco alineadas con las muescas de la caja de cojinetes. Después gire el protector de disco alrededor de 180°.

Sujete el protector de disco apretando el tornillo después de empujar la palanca en la dirección de la flecha. El ángulo de ajuste del protector de disco puede fijarse con la palanca.

Para desmontar el protector de disco, siga el procedimiento de instalación a la inversa.

Instalación o desmontaje de un disco de centro hundido o disco flap (accesorio opcional) (Fig. 15 y 16)

ADVERTENCIA:

- Cuando se utilice un disco de centro hundido o disco flap, el protector de disco deberá estar instalado en la herramienta de tal forma que el lado cerrado del protector siempre quede orientado hacia el operario.

Monte la brida interior en el eje. Encaje la muela/disco encima de la brida interior y rosque la contratuerca en el eje.

Para apretar la contratuerca, presione el bloqueo del eje firmemente para que el eje no pueda girar, después apriete firmemente hacia la derecha utilizando la llave de contratuerca.

Para desmontar el disco, siga el procedimiento de instalación a la inversa.

Súper brida (accesorio opcional)

Los modelos con la letra F están equipados de manera estándar con una súper brida. Con esta pieza, para aflojar la contratuerca sólo se necesita un tercio del esfuerzo comparando con la de tipo corriente.

PRECAUCIÓN:

- No utilice la súper brida para modelos equipados con el freno mecánico. De lo contrario, se podrá aflojar cuando se active el freno.

Instalación o desmontaje de la tuerca Ezynut (accesorio opcional) (Fig. 17, 18, 19 y 20)

PRECAUCIÓN:

- No utilice una tuerca Ezynut con una súper brida ni con una esmeriladora angular con la letra "F" al final del número de modelo. Esas bridas son tan gruesas que no se pueden roscar completamente en el eje.

Monte la brida interior, muela abrasiva y tuerca Ezynut en el eje de forma que el logotipo Makita en la tuerca Ezynut quede orientado hacia fuera.

Presione el bloqueo del eje firmemente y apriete la tuerca Ezynut girando la muela abrasiva hacia la derecha a tope.

Gire el anillo exterior de la tuerca Ezynut hacia la izquierda para aflojar.

NOTA:

- La tuerca Ezynut se puede aflojar a mano siempre y cuando la flecha apunte a la muesca. De lo contrario, será necesario emplear una llave de contratuerca para aflojarla. Inserte un pivote de la llave en un agujero y gire la tuerca Ezynut hacia la izquierda.

Instalación o desmontaje de un disco flexible (accesorio opcional) (Fig. 21)

ADVERTENCIA:

- Utilice siempre el protector de disco suministrado cuando instale en la herramienta un disco flexible. El disco puede desintegrarse durante la utilización y el protector ayuda a reducir las posibilidades de que se produzcan heridas personales.

Siga las instrucciones para disco de centro hundido pero también utilice un plato de plástico sobre el disco. Vea el orden de montaje en la página de accesorios de este manual.

Instalación o desmontaje de un disco abrasivo (accesorio opcional) (Fig. 22)

NOTA:

- Utilice accesorios para lijadora especificados en este manual. Estos deberán ser adquiridos aparte.

Monte el plato de goma en el eje. Coloque el disco en el plato de goma y rosque la contratuerca para lijar en el eje. Para apretar la contratuerca para lijar, presione el bloqueo del eje firmemente para que el eje no pueda girar, después apriete firmemente hacia la derecha utilizando la llave de contratuerca.

Para desmontar el disco, siga el procedimiento de instalación a la inversa.

Instalación o desmontaje del accesorio de protección contra el polvo (accesorio opcional) (Fig. 23)

ADVERTENCIA:

- **Asegúrese siempre de que la herramienta está apagada y desenchufada antes de instalar o desmontar el accesorio de protección contra el polvo.** En caso contrario podrá dañarse la herramienta o sufrir usted heridas personales.

Hay cuatro unidades de accesorio de protección contra el polvo y cada una se utiliza en una de las diferentes posiciones.

Coloque el accesorio de protección contra el polvo de forma que la marca (A, B, C o D) quede orientada como se muestra. Encaje sus pivotes en las aberturas.

El accesorio de protección contra el polvo puede quitarse con la mano.

NOTA:

- Limpie el accesorio de protección contra el polvo cuando esté obturado con polvo o materias extrañas. Si continúa la operación con un accesorio de protección contra el polvo obturado se dañará la herramienta.

OPERACIÓN

ADVERTENCIA:

- No deberá ser nunca necesario forzar la herramienta. El peso de la herramienta aplica la presión adecuada. El forzamiento y la presión excesiva podrán ocasionar una peligrosa rotura del disco.
- Reemplace el disco SIEMPRE si deja caer la herramienta durante el amolado.
- No lance ni golpee NUNCA el disco de amolar o la muela contra la pieza de trabajo.
- Evite los rebotes y enganches del disco, especialmente cuando trabaje en esquinas, bordes agudos, etc. Esto podrá ocasionar la pérdida del control y retrocesos bruscos.
- No utilice NUNCA esta herramienta con discos para cortar madera y otros discos de sierra. Los discos de ese tipo cuando se utilizan en una amoladora con frecuencia ocasionan retrocesos bruscos y pérdida del control que acarreen heridas personales.

⚠ PRECAUCIÓN:

- No encienda nunca la herramienta estando ésta en contacto con la pieza de trabajo, podría ocasionar heridas al operario.
- Póngase siempre gafas de seguridad o máscara facial durante la operación.
- Después de la operación, apague siempre la herramienta y espere hasta que el disco se haya parado completamente antes de dejar la herramienta.

Operación de amolar y lijar (Fig. 24)

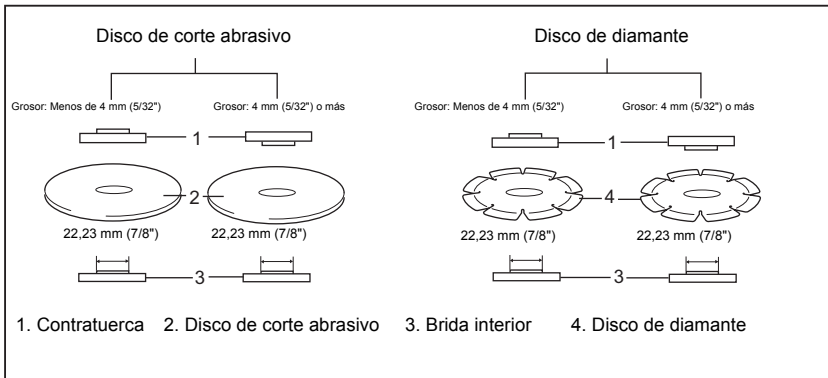
Sujete SIEMPRE la herramienta firmemente con una mano en la carcasa y la otra en la empuñadura lateral. No toque las partes metálicas. Encienda la herramienta y después aplique la muela o el disco a la pieza de trabajo. En general, mantenga el borde de la muela o disco a un ángulo de unos 15° con la superficie de la pieza de trabajo.

Durante el periodo de uso inicial de un disco nuevo, no trabaje con la amoladora en la dirección B porque tenderá a cortar la pieza de trabajo. Una vez que el borde del disco se haya redondeado con el uso, se podrá trabajar con el disco en ambas direcciones A y B.

Operación con disco de corte abrasivo / disco de diamante (accesorio opcional) (Fig. 25)

La dirección para montar la contratuerca y la brida interior varía según el grosor del disco.

Consulte la tabla de abajo.



011644

⚠ ADVERTENCIA:

- Cuando utilice un disco de corte abrasivo / disco de diamante, asegúrese de utilizar solamente el protector de disco especial diseñado para usar con discos de corte. (En algunos países europeos, cuando utilice un disco de diamante, podrá utilizar el protector ordinario. Siga los reglamentos de su país.)
- No utilice NUNCA un disco de corte para amolar lateralmente.
- No "atasque" el disco ni ejerza presión excesiva. No intente hacer un corte de excesiva profundidad. Si fatiga en exceso el disco aumentará la carga y la susceptibilidad de retorcerse o doblarse el disco en el corte y existirá la posibilidad de producirse un retroceso brusco, rotura del disco y recalentamiento del motor.
- No comience la operación de corte en la pieza de trabajo. Deje que el disco alcance plena velocidad y entre con cuidado en el corte moviendo la herramienta hacia adelante sobre la superficie de la pieza de trabajo. Si pone en marcha la herramienta eléctrica en la pieza de trabajo, el disco podrá estancarse, saltar o retroceder bruscamente.
- Durante las operaciones de corte, no cambie nunca el ángulo del disco. La aplicación de presión lateral en el disco de corte (al igual que en el amolado) hará que el disco se agriete y se rompa, ocasionando graves heridas personales.

- Un disco de diamante deberá ser utilizado perpendicularmente al material que se esté cortando.

Operación con cepillo de alambre en copa (accesorio opcional) (Fig. 26)

⚠ PRECAUCIÓN:

- Compruebe la operación del cepillo haciendo funcionar la herramienta sin carga, asegurándose de que no haya nadie enfrente ni en línea con el cepillo.
- No utilice un cepillo que esté dañado o desequilibrado. La utilización de un cepillo dañado podrá aumentar la posibilidad de heridas causadas por el contacto con alambres rotos del cepillo.

Desenchufe la herramienta y póngala al revés para permitir un acceso fácil al eje. Quite cualquier accesorio que haya en el eje. Rosque el cepillo de alambre en copa en el eje y apriételo con la llave suministrada. Cuando utilice un cepillo, evite aplicar presión excesiva que haga doblar demasiado los alambres, ocasionando una rotura prematura.

Operación con cepillo circular de alambre (accesorio opcional) (Fig. 27)

PRECAUCIÓN:

- Compruebe la operación del cepillo circular de alambre haciendo funcionar la herramienta sin carga, asegurándose de que no haya nadie enfrente ni en línea con el cepillo circular de alambre.
- No utilice un cepillo circular de alambre que esté dañado o desequilibrado. La utilización de un cepillo circular de alambre dañado podrá aumentar la posibilidad de heridas causadas por el contacto con alambres rotos.
- Utilice SIEMPRE el protector de disco con cepillos circulares de alambre, asegurándose de que el diámetro de disco encaje dentro del protector. El disco puede desintegrarse durante la utilización y el protector ayuda a reducir las posibilidades de que se produzcan heridas personales.

Desenchufe la herramienta y póngala al revés para permitir un acceso fácil al eje. Quite cualquier accesorio que haya en el eje. Rosque el cepillo circular de alambre en el eje y apriételo con las llaves.

Cuando utilice un cepillo circular de alambre, evite aplicar presión excesiva que haga doblar demasiado los alambres, ocasionando una rotura prematura.

MANTENIMIENTO

PRECAUCIÓN:

- Asegúrese siempre de que la herramienta esté apagada y desenchufada antes de intentar realizar una inspección o mantenimiento.
- No utilice nunca gasolina, bencina, disolvente, alcohol o similares. Podría producir descoloración, deformación o grietas.

La herramienta y sus aberturas de ventilación han de mantenerse limpias. Limpie las aberturas de ventilación de la herramienta regularmente o siempre que comiencen a estar obstruidas. (Fig. 28)

Para mantener la SEGURIDAD y FIABILIDAD del producto, las reparaciones, la inspección y sustitución de la escobilla de carbón, y cualquier otro mantenimiento o ajuste deberán ser realizados en Centros de Servicios Autorizados por Makita, empleando siempre piezas de repuesto de Makita.

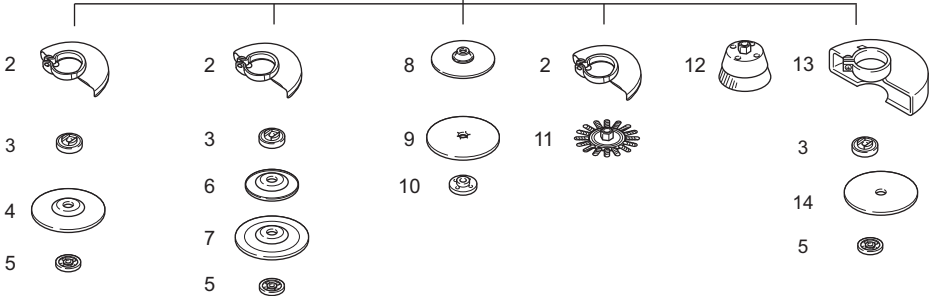
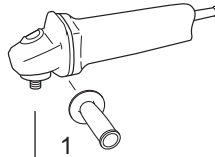
ACCESORIOS OPCIONALES

PRECAUCIÓN:

- Estos accesorios o aditamentos están recomendados para su uso con la herramienta Makita especificada en este manual. El uso de cualquier otro accesorio o aditamento puede suponer un riesgo de lesiones personales. Utilice el accesorio o aditamento exclusivamente para su uso declarado.

Si necesita información más detallada sobre estos accesorios, consulte con su centro local de servicio de Makita.

- Disco abrasivo
- Accesorio de protección contra el polvo



	Modelo de 115 mm (4-1/2")	Modelo de 125 mm (5")
1	Empuñadura de 36	
2	Protector de disco (para disco de amolar)	
3	Brida interior de 42 Súper brida de 47 *1	
4	Disco de centro hundido/disco flap	
5	Contratuercas de 14-45 Tuerca Ezynut *2	
6	Plato de plástico	
7	Disco flexible	
8	Plato de goma de 100	Plato de goma de 115
9	Disco abrasivo	
10	Contratuercas para lijar de 14-48	
11	Cepillo circular de alambre	
12	Cepillo de alambre en copa	
13	Protector de disco (para disco de corte) *3	
14	Disco de corte abrasivo/disco de diamante	
-	Llave de contratuercas de 35	

Nota:
 *1 No utilice la súper brida con una amoladora equipada con función de freno.
 *2 No utilice una súper brida y una tuerca Ezynut juntas.
 *3 En algunos países europeos, cuando utilice un disco de diamante, podrá utilizar el protector ordinario en lugar del protector especial que cubre ambos lados del disco. Siga los reglamentos de su país.

012987

NOTA:
 • Algunos elementos de la lista podrán estar incluidos en el paquete de la herramienta como accesorios estándar. Pueden variar de un país a otro.

Ruido

El nivel de ruido A-ponderado típico determinado de acuerdo con la norma EN60745:

- Nivel de presión sonora (L_{pA}): 84 dB (A)
- Nivel de potencia sonora (L_{WA}): 95 dB (A)
- Incerteza (K): 3 dB (A)

Póngase protectores en los oídos

ENG900-1

Vibración

El valor total de la vibración (suma de vectores triaxiales) determinado de acuerdo con la norma EN60745:

Modo tarea: lijado con disco con empuñadura lateral a prueba de vibración
 Emisión de vibración ($a_{h, DS}$): 2,5 m/s² o menos
 Incerteza (K): 1,5 m/s²

Modo tarea: lijado con disco con empuñadura lateral normal
 Emisión de vibración ($a_{h, DS}$): 2,5 m/s² o menos
 Incerteza (K): 1,5 m/s²

Modo tarea: amolado superficial con empuñadura a prueba de vibración
 Emisión de vibración ($a_{h, AG}$): 4,0 m/s²
 Incerteza (K): 1,5 m/s²

Modo tarea: amolado superficial con empuñadura lateral normal
 Emisión de vibración ($a_{h, AG}$): 5,0 m/s²
 Incerteza (K): 1,5 m/s²

ENG902-1

- El valor de emisión de vibración declarado ha sido medido de acuerdo con el método de prueba estándar y se puede utilizar para comparar una herramienta con otra.
- El valor de emisión de vibración declarado también se puede utilizar en una valoración preliminar de exposición.
- El valor de la emisión de vibración declarado se utiliza para las aplicaciones principales de la herramienta eléctrica. Sin embargo, si la herramienta eléctrica se utiliza para otras aplicaciones, es posible que el valor de emisión de vibración sea diferente.

⚠ ADVERTENCIA:

- La emisión de vibración durante la utilización real de la herramienta eléctrica puede variar del valor de emisión declarado dependiendo de las formas en las que la herramienta sea utilizada.
- Asegúrese de identificar medidas de seguridad para proteger al operario que estén basadas en una estimación de la exposición en las condiciones reales de utilización (teniendo en cuenta todas las partes del ciclo operativo tal como las veces cuando la herramienta está apagada y cuando está funcionando en vacío además del tiempo de gatillo).

Para países europeos solamente**Declaración de conformidad CE****Makita declara que la(s) máquina(s) siguiente(s):**

Designación de máquina:

Pulidora Angular

Modelo N°/ Tipo: SA5040C

Cumplen con las directivas europeas siguientes:

2006/42/CE

Están fabricadas de acuerdo con las normas o documentos normalizados siguientes:

EN60745

El archivo técnico de acuerdo con la norma 2006/42/CE está disponible en:

Makita, Jan-Baptist Vinkstraat 2, 3070, Bélgica

1.2.2016



Yasushi Fukaya
Director

Makita, Jan-Baptist Vinkstraat 2, 3070, Bélgica

Explicação geral

1 Bloqueio do veio	12 Caixa de rolamentos	26 Marcação A
2 Interruptor deslizante	13 Alavanca	27 Marcação B
3 Lâmpada de indicação (marcador de regulação da velocidade)	14 Contraporca	28 Marcação C
4 Marcador de regulação da velocidade	15 Roda deprimida ao centro	29 Marcação D
5 Parafuso	16 Flange interior	30 Disco abrasivo de corte/disco diamantado
6 Disco abrasivo	17 Chave de porcas	31 Resguardo da roda para o disco abrasivo de corte/disco diamantado
7 Almofada	18 Ezynut	32 Escova de arame tipo copo
8 Eixo	19 Roda abrasiva	33 Escova de arame tipo disco
9 Cobertura do cabeçote	20 Seta	34 Ventilação de exaustão
10 Caixa da engrenagem	21 Entalhe	35 Ventilação de inalação
11 Resguardo da roda	22 Disco flexível	
	23 Almofada de plástico	
	24 Contraporca de ligação	
	25 Almofada de borracha	

ESPECIFICAÇÕES

Modelo	SA5040C
Diâmetro do disco abrasivo	125 mm
Diâmetro do disco	115 mm ou 125 mm (Dependendo do resguardo da roda opcional)
Espessura máxima do disco	6,4 mm
Rosca do eixo	M14
Velocidade nominal (n) / velocidade em vazio (n ₀)	7.800 min ⁻¹
Comprimento total	315 mm
Peso líquido	2,2 kg
Classe de segurança	II

GEB097-3

- Devido ao nosso programa contínuo de pesquisa e desenvolvimento, as características indicadas neste documento estão sujeitas a alterações sem aviso prévio.
- As especificações podem variar de país para país.
- Peso de acordo com o Procedimento 01/2003 da EPTA (European Power Tool Association)

ENE094-1

Utilização pretendida

A ferramenta serve para esmerilar, lixar e cortar materiais em metal e pedra sem utilizar água. Para esmerilar e cortar, deve montar os resguardos da roda corretos.

ENF002-2

Alimentação

A ferramenta só deve ser ligada a uma fonte de alimentação com a mesma voltagem da indicada na placa de características, e só funciona com alimentação de corrente alterna monofásica. Tem um sistema de isolamento duplo e pode, por isso, utilizar tomadas sem ligação à terra.

GEA010-1

Avisos gerais de segurança para ferramentas eléctricas

⚠ AVISO! Leia todos os avisos de segurança e todas as instruções. O não cumprimento de todos os avisos e instruções pode originar choque eléctrico, incêndio e/ou ferimentos graves.

Guarde todos os avisos e instruções para futuras referências.

AVISOS DE SEGURANÇA PARA LIXADEIRA/ESMERILHADEIRA

Avisos de segurança comuns para rebarbação, lixamento, limpeza com escova metálica ou corte abrasivo:

- 1. Esta ferramenta foi concebida para funcionar como uma rebarbadora, lixadeira, escova metálica ou ferramenta de corte. Leia os avisos de segurança, instruções, ilustrações e especificações fornecidas com a ferramenta.** O não seguimento de todas as instruções que se seguem poderá resultar em choque eléctrico, incêndio e/ou graves ferimentos.
- 2. Não é recomendável utilizar esta ferramenta para efectuar operações de polimento.** Operações diferentes daquelas para as quais a ferramenta foi projectada podem criar situações perigosas e causar ferimentos ao operador.
- 3. Não utilize acessórios que não sejam especificamente projectados e recomendados pelo fabricante.** O fato de poder instalar o acessório na ferramenta eléctrica não garante um funcionamento com segurança.
- 4. A velocidade nominal do acessório deve ser pelo menos igual à velocidade máxima indicada na ferramenta.** Os acessórios que funcionam em velocidade mais alta do que a velocidade nominal podem quebrar e se estilhaçar.

5. **O diâmetro externo e a espessura do acessório devem estar dentro da capacidade nominal da ferramenta eléctrica.** Não é possível proteger ou controlar adequadamente os acessórios de tamanho incorrecto.
 6. **A montagem roscada dos acessórios deve corresponder à rosca da haste da esmerilhadeira. Em relação aos acessórios montados por flanges, o orifício do veio do acessório deve encaixar no diâmetro guia do flange.** Os acessórios que não correspondam ao hardware de instalação da ferramenta eléctrica ficam desequilibrados, vibram excessivamente e podem causar a perda de controlo.
 7. **Não utilize acessórios danificados. Antes de cada utilização, inspeccione o acessório, tal como o disco abrasivo, para ver se há trincos ou rachaduras, a base protectora para ver se há trincos, rasgos ou desgaste demasiado e a escova metálica para ver se há arames soltos ou quebrados. Se a ferramenta ou acessório cair, verifique se há danos e, em caso positivo, instale um acessório em boas condições. Após inspeccionar ou instalar um acessório, certifique-se de que os espectadores bem como você mesmo estejam afastados do acessório rotativo, e funcione a ferramenta em velocidade máxima em vazio por um minuto.** Os acessórios danificados geralmente se quebram durante esta prova.
 8. **Utilize equipamento de protecção pessoal. Utilize um protector facial, óculos de segurança ou protectores oculares, conforme a aplicação. Utilize uma máscara contra pó, protectores auriculares, luvas e avental capazes de resguardar contra estilhaços ou abrasivos pequenos da peça de trabalho.** Os protectores oculares devem ter capacidade de resguardar contra fragmentos gerados por diversas operações. A máscara contra pó ou de respiração deve ter capacidade de filtrar partículas geradas pela operação com a ferramenta. A exposição prolongada a ruídos de alta intensidade pode causar a perda de audição.
 9. **Mantenha os espectadores a uma distância segura da área de trabalho. Todas as pessoas que entram na área de trabalho devem utilizar equipamento de protecção pessoal.** Estilhaços da peça de trabalho ou um acessório quebrado podem ser atirados e causar ferimentos além da área imediata de operação.
 10. **Segure a ferramenta pelas partes isoladas ao executar uma operação onde a ferramenta de corte possa tocar em fios ocultos ou no seu próprio fio.** O contacto do acessório de corte com um fio "ligado" carregará as partes metálicas expostas da ferramenta e poderá causar choque eléctrico no operador.
 11. **Coloque o fio afastado do acessório rotativo.** Se perder o controlo, o fio pode ser cortado ou ficar preso e sua mão ou braço pode ser puxado para o acessório em rotação.
 12. **Nunca pouse a ferramenta eléctrica antes que o acessório tenha parado completamente.** O acessório rotativo pode enganchar na superfície e descontrolar a ferramenta.
 13. **Não funcione a ferramenta eléctrica enquanto a carrega ao seu lado.** O contacto accidental com o acessório rotativo pode prender as roupas, puxando o acessório na direcção do seu corpo.
 14. **Limpe os orifícios de ventilação da ferramenta eléctrica regularmente.** A ventoinha do motor aspira o pó dentro da caixa e a acumulação excessiva de metal pulverizado pode causar choque eléctrico.
 15. **Não funcione a ferramenta eléctrica próximo de materiais inflamáveis.** As fagulhas podem incendiar esses materiais.
 16. **Não utilize acessórios que requerem refrigerantes líquidos.** A utilização de água ou outros refrigerantes líquidos pode resultar em choque ou electrocussão.
- Advertências sobre contragolpes**
- O contragolpe é uma reacção repentina a um disco rotativo, base protectora, escova ou qualquer outro acessório preso ou emperrado. O bloqueio causa a parada imediata do acessório rotativo que, por sua vez, causa o impulso da ferramenta descontrolada na direcção oposta à da rotação do acessório, no ponto onde foi preso.
- Se o disco abrasivo ficar preso ou enroscado na peça de trabalho, por exemplo, a sua borda que está a entrar no ponto onde prendeu, pode entrar na superfície do material fazendo com que o disco salte ou cause um contragolpe. O disco pode pular na direcção do operador ou na direcção oposta, dependendo do sentido do movimento do disco no ponto onde foi preso. Os discos abrasivos também podem quebrar nessas circunstâncias.
- O contragolpe é o resultado de utilização imprópria da ferramenta eléctrica e/ou condições ou procedimentos incorrectos para o funcionamento e pode ser evitado tomando-se as medidas de precaução relacionadas abaixo.
- a) **Segure firme a ferramenta eléctrica e posicione-se de tal forma que o seu corpo e braço permitam-lhe resistir à força do contragolpe. Utilize sempre o punho auxiliar, se fornecido, para controlo máximo sobre o contragolpe ou reacção do torque durante a partida.** O operador poderá controlar as reacções do torque ou as forças do contragolpe se tomar as precauções necessárias.
 - b) **Nunca coloque as mãos perto do acessório rotativo.** O acessório pode recuar sobre a sua mão.
 - c) **Posicione-se de forma a ficar afastado da área onde a ferramenta será lançada no caso de um contragolpe.** O contragolpe lança a ferramenta na direcção oposta ao movimento do disco no ponto onde prende.
 - d) **Tenha cuidado especialmente ao trabalhar em cantos, arestas cortantes, etc. Evite bater com a ferramenta e prender o acessório.** Os cantos, arestas cortantes ou as batidas com a ferramenta tendem a prender o acessório rotativo e causar perda de controlo ou contragolpe.
 - e) **Não instale uma lâmina para esculpir de moto-serra nem uma lâmina de serra dentada.** Essas lâminas criam contragolpes frequentes e perda de controlo.

Advertências de segurança específicas para rebarbação e corte abrasivo:

- a) **Utilize somente os tipos de discos recomendados para a sua ferramenta eléctrica e o resguardo específico designado para o disco seleccionado.** Os discos incompatíveis com a ferramenta eléctrica são impossíveis de resguardar adequadamente e não são seguros.
- b) **A superfície de esmerilação dos discos com centro rebaixado deve estar montada abaixo do bordo de resguardo.** Um disco montado incorrectamente que sobressai através do bordo de resguardo não pode ser devidamente protegido.
- c) **O resguardo deve ser instalado firmemente na ferramenta e posicionado para máxima segurança, de forma que o mínimo do disco fique exposto na direcção do operador.** O resguardo ajuda a proteger o operador contra fragmentos do disco, contacto accidental com o disco e fagulhas que podem incendiar as roupas.
- d) **Os discos devem ser utilizados somente para as aplicações recomendadas. Por exemplo: não rebarbar com a lateral do disco de corte.** Como os discos abrasivos de corte são projectados para rebarbação periférica, a pressão lateral pode causar a quebra desses discos.
- e) **Utilize sempre falanges em boas condições que sejam do tamanho e formato correctos para o disco seleccionado.** As falanges apropriadas apóiam o disco, reduzindo assim a possibilidade de quebra do disco. As falanges para discos de corte podem ser diferentes das falanges para discos de rebarbação.
- f) **Não utilize discos desgastados de ferramentas eléctricas maiores.** Os discos projectados para ferramentas eléctricas maiores não são apropriados para a alta velocidade de uma ferramenta menor e podem quebrar.

Advertências de segurança adicionais específicas para corte abrasivo:

- a) **Não entreve o disco de corte nem aplique força excessiva. Não tente efectuar um corte muito profundo.** Sujeitar o disco a esforço excessivo aumenta a carga e a susceptibilidade de torção ou emperramento do disco no corte e a possibilidade de contragolpe ou quebra do disco.
- b) **Não posicione-se atrás nem em linha com o disco em movimento.** Quando, durante a operação, o disco se move para longe de si, o possível contragolpe pode propulsar o disco em rotação e a ferramenta directamente contra você.
- c) **Se o disco ficar preso ou quando interromper o corte por qualquer motivo, desligue a ferramenta e segure-a até que o disco pare completamente. Nunca tente retirar o disco do corte enquanto o mesmo ainda estiver em rotação, caso contrário poderá ocorrer um contragolpe.** Verifique e tome as medidas correctivas para eliminar a causa do emperramento do disco.

- d) **Não reinicie a operação de corte na peça de trabalho. Aguarde até que o disco atinja a velocidade máxima e coloque-o no corte cuidadosamente.** O disco pode emperrar, pular ou contragolpear se ligar a ferramenta na peça de trabalho.
- e) **Apóie as tábuas ou peças de trabalho muito grandes para minimizar o risco do disco prender e de contragolpe.** As peças de trabalho grandes tendem a ceder sob o próprio peso. Os apoios devem ser colocados debaixo da peça de trabalho perto da linha de corte e da borda da peça de trabalho, nos dois lados.
- f) **Tenha cuidado especialmente quando fazendo um corte de perfuração numa parede ou outras zonas invisíveis.** O disco exposto pode cortar canos de gás ou de água, fios eléctricos ou outros objetos que podem causar contragolpe.

Advertências de segurança específicas para lixamento:

- a) **Não utilize uma lixa grande demais. Siga as recomendações do fabricante ao escolher a lixa.** Lixas grandes, que se estendem além da base de lixamento, apresentam perigo de ferimentos e podem prender ou rasgar o disco ou ainda causar contragolpe.

Advertências de segurança específicas para limpeza com escova metálica:

- a) **Lembre-se que a escova lança filamentos de metal, mesmo durante uma operação regular. Não sujeite os filamentos de metal a esforço excessivo, aumentando demais a carga da ferramenta.** Os filamentos de metal podem penetrar facilmente nas roupas leves e/ou na pele.
- b) **Se for recomendada a utilização do resguardo para operação com a escova metálica, não permita a interferência do disco ou da escova metálica com o resguardo.** O disco ou a escova metálica pode expandir em diâmetro devido à carga de trabalho e forças centrífugas.

Advertências de segurança adicionais:

17. **Quando utilizando uma roda de rebarbação deprimida ao centro, utilize apenas rodas reforçadas com fibra de vidro.**
18. **NUNCA utilize discos do tipo serra copo para pedra com esta rebarbadora.** A rebarbadora não foi concebida para esses tipos de discos e a utilização dos mesmos pode provocar ferimentos pessoais graves.
19. **Tenha cuidado para não danificar o eixo, a falange (especialmente a superfície de instalação) nem a porca de bloqueio. Se estas peças estiverem danificadas, o disco poderá partir-se.**
20. **Antes de ligar a ferramenta, certifique-se que o disco não faz contacto com a peça de trabalho.**
21. **Antes de utilizar a ferramenta na peça de trabalho, deixe-a funcionar por alguns instantes. Verifique se há vibrações ou movimentos irregulares que possam indicar má instalação ou desbalanceamento do disco.**

22. Use a superfície especificada do disco para rebarbação.
23. Não deixe a ferramenta a funcionar sozinha. Funcione a ferramenta somente quando estiver segurando-a.
24. Não toque na peça de trabalho imediatamente após a operação; ela poderá estar muito quente e causar queimaduras.
25. Observe as instruções do fabricante para montagem correcta e utilização dos discos. Manuseie e armazene os discos com cuidado.
26. Não utilize buchas de redução ou adaptadores para adaptar discos abrasivos de grande orifício.
27. Utilize só as falanges especificadas para esta ferramenta.
28. Para ferramentas destinadas a serem equipadas com discos de orifício roscado, certifique-se de que a rosca no disco tem tamanho suficiente para aceitar o comprimento do veio.
29. Verifique se a peça de trabalho está correctamente suportada.
30. Preste atenção pois o disco continua a rodar depois de desligar a ferramenta.
31. Se o local de trabalho for extremamente quente e húmido, ou muito poluído por pó condutor, utilize um disjuntor de 30 mA para assegurar uma operação segura.
32. Não utilize a ferramenta em qualquer material que contenha amianto.
33. Quando utiliza a roda de corte, trabalhe sempre com o resguardo da roda para recolha do pó como requerido pelas regulações domésticas.
34. Os discos de corte não devem ser sujeitos a pressão lateral.
35. Não utilize luvas de trabalho de pano durante a operação. As fibras do tecido podem entrar na ferramenta e provocar a quebra da ferramenta.

GUARDE ESTAS INSTRUÇÕES.

⚠ AVISO:

NÃO permita que conforto ou familiaridade com o produto (adquirido com o uso repetido) substitua a aderência estrita às regras de segurança da ferramenta. MÁ INTERPRETAÇÃO ou não seguimento das regras de segurança estabelecidas neste manual de instruções pode causar danos pessoais sérios.

DESCRIÇÃO FUNCIONAL

⚠ PRECAUÇÃO:

- Certifique-se sempre de que a ferramenta está desligada e a ficha retirada da tomada antes de regular ou verificar o funcionamento da ferramenta.

Bloqueio do veio (Fig. 1)

⚠ PRECAUÇÃO:

- Nunca accione o bloqueio do veio quando o eixo estiver em movimento. A ferramenta pode ficar danificada.

Pressione o bloqueio do veio para evitar a rotação do eixo quando instala ou retira acessórios.

Acção do interruptor (Fig. 2)

⚠ PRECAUÇÃO:

- Antes de ligar a ferramenta à corrente eléctrica, verifique sempre se o interruptor deslizante funciona correctamente e regressa à posição "OFF" (desligado) quando carregar na parte traseira do interruptor deslizante.
- O interruptor pode ser bloqueado na posição "ON" (ligado) para conforto do operador durante a utilização prolongada. Tenha cuidado ao bloquear a ferramenta na posição "ON" (ligada) e segure-a com firmeza.

Para ligar a ferramenta, deslize o interruptor deslizante para a posição "I (ON)" carregando na parte traseira do interruptor deslizante. Para operação contínua, carregue na parte da frente do interruptor deslizante para o bloquear.

Para parar a ferramenta, carregue na parte traseira do interruptor deslizante e depois para a posição "O (OFF)".

Lâmpada de indicação (Fig. 3)

A lâmpada de indicação acende a verde quando a ferramenta estiver ligada. Se a lâmpada de indicação não acender, o fio de alimentação ou o regulador pode estar com defeito. A lâmpada de indicação está acesa mas a ferramenta não inicia mesmo se a ferramenta estiver ligada, as escovas de carvão podem estar gastas ou o regulador, o motor ou o interruptor ON/OFF pode estar com defeito.

À prova de reinício accidental

A ferramenta não inicia com o interruptor bloqueado mesmo quando a ferramenta estiver ligada.

Nesta altura, a lâmpada de indicação pisca a vermelho e mostra que o dispositivo à prova de reinício accidental está a funcionar.

Para cancelar o dispositivo à prova de reinício accidental, volte a colocar o interruptor deslizante para a posição "O (OFF)".

Marcador de regulação da velocidade (Fig. 4)

A velocidade de rotação pode ser alterada rodando o marcador de regulação da velocidade para um dado número de fixação de 1 a 5.

Obtém-se velocidade mais elevada quando o marcador estiver rodado na direcção do número 5. Obtém-se velocidade mais baixa quando ele estiver rodado na direcção do número 1.

Consulte a tabela abaixo para ver a relação entre os números de fixação no marcador e a velocidade de rotação aproximada.

Número	min ⁻¹ (R.P.M.)
1	2.000
2	3.000
3	4.000
4	5.500
5	7.800

012757

PRECAUÇÃO:

- Se a ferramenta for operada continuamente a baixas velocidades durante um longo período de tempo, o motor fica sobrecarregado e aquece muito.
- O marcador de regulação da velocidade pode ser rodado apenas até ao 5 e de volta ao 1. Não o force para além do 5 ou 1 ou a função de regulação da velocidade pode deixar de funcionar.

Função electrónica

As ferramentas equipadas com função electrónica são fáceis de operar por causa das seguintes funcionalidades.

Controlo constante da velocidade

O controlo constante da velocidade proporciona acabamento de boa qualidade mantendo a velocidade de rotação constante em condição de carga.

Funcionalidade de arranque suave

A funcionalidade de arranque suave suprime o choque de arranque.

Protector de sobrecarga

Quando a carga na ferramenta excede os níveis admissíveis, a alimentação ao motor é reduzida para proteger o motor de sobreaquecimento. Quando a carga regressa aos níveis admissíveis, a ferramenta funcionará normalmente.

ASSEMBLAGEM

PRECAUÇÃO:

- Certifique-se sempre de que a ferramenta está desligada e a ficha retirada da tomada antes de executar qualquer trabalho na ferramenta.

Instalação do punho lateral (pega) (Fig. 5 e 6)

PRECAUÇÃO:

- Certifique-se sempre de que o punho lateral está instalado firmemente antes da operação.

Retire um dos parafusos que fixam a cobertura do cabeçote. Em seguida, aparafuse o punho lateral no orifício do parafuso.

Instalação da almofada e do disco abrasivo (Fig. 7 e 8)

Retire toda a sujidade ou matérias estranhas da almofada.

Aparafuse a almofada no eixo pressionando no bloqueio do veio.

Prenda o disco abrasivo no centro da almofada. Tome atenção para que a almofada fique colocada dentro da extremidade do disco abrasivo.

Para retirar o disco abrasivo, descasque a sua extremidade da almofada.

QUANDO UTILIZAR COMO UMA ESMERILHADEIRA (Fig. 9, 10 e 11)

Quando utilizar a ferramenta como uma esmerilhadeira, retire a cobertura do cabeçote e instale o punho lateral e um resguardo da roda opcional.

Desaperte os parafusos e retire a cobertura do cabeçote.

Aparafuse o punho lateral firmemente no local da ferramenta indicado na figura.

PRECAUÇÃO:

- Certifique-se sempre de que o punho lateral está instalado firmemente antes da operação.

Instalar ou retirar o resguardo da roda (Para roda deprimida ao centro, disco de aba, disco flexível, escova de arame tipo disco / disco abrasivo de corte, disco diamantado) (acessório opcional) (Fig. 12, 13 e 14)

AVISO:

- Quando utilizar uma roda deprimida ao centro, disco de aba, disco flexível ou escova de arame tipo disco, o resguardo da roda deve ser colocado na ferramenta para que o lado fechado do resguardo aponte sempre para o operador.
- Quando utilizar um disco abrasivo de corte / disco diamantado, lembre-se de utilizar somente o resguardo da roda especialmente projectado para os discos de corte. (Em alguns países europeus, pode-se utilizar o resguardo comum ao utilizar discos diamantados. Siga os regulamentos do seu país.)

Para ferramentas com resguardo da roda do tipo parafuso de aperto

Monte o resguardo da roda com a protuberância na banda do resguardo da roda alinhada com os entalhes na caixa dos rolamentos. Em seguida rode o resguardo da roda 180 graus para a esquerda. Certifique-se de que aperta o parafuso firmemente.

Para retirar o resguardo da roda, siga inversamente o processo de instalação.

Para ferramenta com resguardo da roda do tipo alavanca de fixação

Puxe a alavanca na direcção da seta depois de desapertar o parafuso. Monte o resguardo da roda com a protuberância na banda do resguardo da roda alinhada com os entalhes na caixa dos rolamentos. Em seguida rode o resguardo da roda 180 graus.

Aperte o resguardo da roda com parafuso de aperto após puxar a alavanca na direcção da seta. O ângulo de regulação do resguardo da roda pode ser ajustado com a alavanca.

Para retirar o resguardo da roda, siga inversamente o processo de instalação.

Instalar ou retirar a roda deprimida ao centro ou disco de aba (acessório opcional) (Fig. 15 e 16)

⚠ AVISO:

- Quando utilizar uma roda deprimida ao centro ou disco de aba, o resguardo da roda deve ser colocado na ferramenta para que o lado fechado do resguardo aponte sempre para o operador.

Monte a flange interior no eixo. Encaixe a roda/disco na flange interior e aparafuse a contraporca no eixo.

Para apertar a contraporca, pressione o bloqueio do veio firmemente para que o eixo não possa girar, depois utilize a chave de porcas e aperte com segurança para a direita.

Para retirar a roda, siga inversamente o processo de instalação.

Super flange (acessório opcional)

Os modelos com a letra F estão normalmente equipados com uma super flange. Apenas 1/3 do esforço necessário para desapertar a contraporca, comparado ao tipo convencional.

⚠ PRECAUÇÃO:

- Não utilize super flange em modelos equipados com o travão mecânico. Caso contrário pode desapertar quando o travão for activado.

Instalar ou retirar a Ezynut (acessório opcional) (Fig. 17, 18, 19 e 20)

⚠ PRECAUÇÃO:

- Não utilize Ezynut com Super Flange ou esmerilhadeira angular com "F" no fim do nº de modelo. Essas flanges são tão espessas que toda a rosca não pode ser retida pelo eixo.

Monte a flange interior, roda abrasiva e Ezynut no eixo para que o Logótipo da Makita nas faces da Ezynut fique virado para fora.

Pressione o bloqueio do veio firmemente e aperte a Ezynut rodando a roda abrasiva para a direita até onde for possível.

Rode o anel externo da Ezynut para a esquerda para desapertar.

NOTA:

- A Ezynut pode ser desapertada manualmente desde que a seta aponte para o entalhe. Caso contrário é necessária a chave de porcas para a desapertar. Insira um pino da chave no orifício e rode a Ezynut para a esquerda.

Instalar ou retirar o disco flexível (acessório opcional) (Fig. 21)

⚠ AVISO:

- Utilize sempre o resguardo fornecido quando o disco flexível estiver na ferramenta. A roda pode partir durante a utilização e o resguardo ajuda a reduzir os riscos de ferimento pessoal.

Siga as instruções para roda deprimida ao centro mas utilize também a almofada de plástico sobre a roda. Veja a ordem de montagem na página dos acessórios neste manual.

Instalar ou retirar o disco abrasivo (acessório opcional) (Fig. 22)

NOTA:

- Utilize os acessórios de lixagem especificados neste manual. Esses devem ser adquiridos separadamente.

Instale a almofada de borracha sobre o eixo. Coloque o disco sobre a almofada de borracha e aperte a contraporca no eixo. Para apertar a contraporca de lixagem, pressione o bloqueio do veio firmemente para que o eixo não possa rodar e em seguida utilize a chave de porcas para apertar firmemente para a direita.

Para retirar o disco siga inversamente o procedimento de instalação.

Instalar ou retirar o acoplamento da cobertura para poeira (acessório opcional) (Fig. 23)

⚠ AVISO:

- **Certifique-se sempre de que a ferramenta está desligada e retirada da ficha antes de instalar ou retirar o acoplamento da cobertura para poeira.** Se não o fizer provoca danos à ferramenta ou ferimento pessoal.

O acoplamento da cobertura para poeira tem quatro peças e cada uma delas é utilizada numa de diferentes posições.

Regule o acoplamento da cobertura para poeira para que a marcação (A, B, C ou D) se posicione como mostrado. Prenda os seus pinos nos orifícios.

O acoplamento da cobertura para poeira pode ser retirado manualmente.

NOTA:

- Limpe o acoplamento da cobertura para poeira quando estiver obstruído com pó ou matérias estranhas. A continuação da operação com um acoplamento da cobertura para poeira obstruído danificará a ferramenta.

OPERAÇÃO

⚠ AVISO:

- Nunca deve ser necessário forçar a ferramenta. O peso da ferramenta aplica a pressão adequada. O forçar e a pressão excessiva podem provocar rotura perigosa da roda.
- Substitua SEMPRE a roda se a ferramenta cair enquanto estiver a esmerilar.
- NUNCA bata ou toque com o disco para esmerilar ou roda no trabalho.
- Evite bater ou dar pancadas na roda, especialmente quando trabalha cantos, extremidades afiadas, etc. Isso pode causar perda de controlo e ressalto.
- NUNCA utilize a ferramenta com lâminas de corte para madeira e outras lâminas para serrar. Essas lâminas quando utilizadas numa esmerilhadeira ressaltam frequentemente e causam perda de controlo originando ferimento pessoal.

⚠ PRECAUÇÃO:

- Nunca ligue a ferramenta quando estiver em contacto com a peça de trabalho, pois pode ferir o operador.
- Use sempre óculos de segurança ou uma viseira durante a operação.
- Depois da operação, desligue sempre a ferramenta e espere até que a roda esteja completamente parada antes de pôr a ferramenta de lado.

Esmerilagem e lixagem (Fig. 24)

Agarre SEMPRE na ferramenta firmemente com uma mão no corpo e a outra na pega lateral. Não toque nas partes metálicas. Ligue a ferramenta e em seguida aplique a roda ou disco na peça de trabalho.

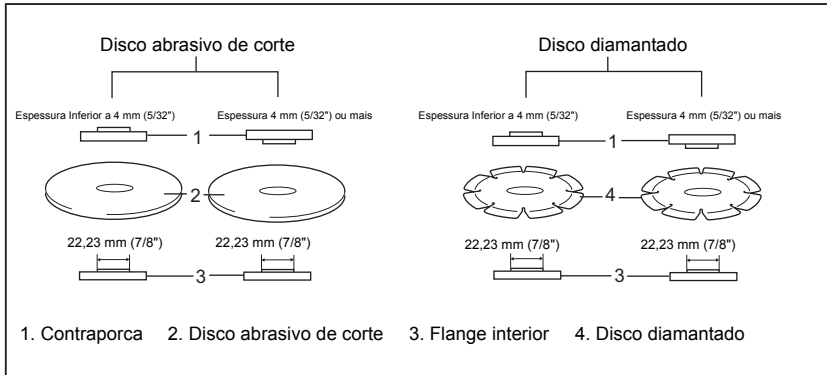
Em geral, mantenha a extremidade da roda ou disco num ângulo de cerca de 15 graus relativamente à superfície da peça de trabalho.

Durante o período de arranque com uma nova roda, não opere a esmerilhadeira na direcção B ou cortará a peça de trabalho. Quando a extremidade da roda estiver arredondada pelo uso, pode trabalhar com a roda tanto na direcção A como B.

Operação com o disco abrasivo de corte / disco diamantado (acessório opcional) (Fig. 25)

A direcção para colocar a contraporca e flange interior varia por espessura da roda.

Consulte a tabela abaixo.



011644

⚠ AVISO:

- Quando utilizar um disco abrasivo de corte / disco diamantado, lembre-se de utilizar somente o resguardo da roda especialmente projectado para os discos de corte. (Em alguns países europeus, pode-se utilizar o resguardo comum ao utilizar discos diamantados. Siga os regulamentos do seu país.)
- NUNCA utilize discos de corte para esmerilagem lateral.
- Não entrave o disco nem aplique força excessiva. Não tente efectuar um corte demasiadamente profundo. Sujeitar o disco a esforço excessivo aumenta a carga e a susceptibilidade de torção ou prisão do disco no corte e a possibilidade de ressalto, rotura do disco e sobreaquecimento do motor.
- Não inicie a operação de corte na peça de trabalho. Aguarde até que o disco atinja a velocidade máxima e coloque-o no corte cuidadosamente, movendo a ferramenta para a frente sobre a superfície da peça de trabalho. O disco pode prender, saltar ou ressaltar se ligar a ferramenta na peça de trabalho.
- Nunca altere o ângulo do disco durante as operações de corte. Exercer pressão lateral no disco de corte (como na esmerilagem) poderá causar fissuras e rotura, causando ferimentos graves.
- Um disco diamantado deve ser utilizado perpendicular ao material a ser cortado.

Operação com a escova de arame tipo copo (acessório opcional) (Fig. 26)

⚠ PRECAUÇÃO:

- Verifique a operação da escova operando a ferramenta em vazio, certificando-se de que ninguém esteja na frente ou em linha com a escova.
- Não utilize uma escova danificada nem desequilibrada. A utilização de uma escova danificada pode aumentar o risco de ferimentos decorrentes do contacto com arames da escova partidos.

Retire a ferramenta da tomada e vire-a ao contrário para ter fácil acesso ao eixo. Retire quaisquer acessórios do eixo. Rosque a escova de arame tipo copo no eixo e aperte com a chave fornecida. Ao utilizar a escova, evite aplicar força excessiva que pode causar a dobragem excessiva dos filamentos de arame e o desgaste prematuro.

Operação com a escova de arame tipo disco (acessório opcional) (Fig. 27)

⚠ PRECAUÇÃO:

- Verifique a operação da escova de arame tipo disco operando a ferramenta em vazio, certificando-se de que ninguém esteja na frente ou em linha com a escova de arame tipo disco.
- Não utilize uma escova de arame tipo disco danificada nem desequilibrada. A utilização de uma escova de arame tipo disco danificada pode aumentar o risco de ferimentos decorrentes do contacto com arames partidos.
- Utilize SEMPRE o resguardo com as escovas de arame tipo disco, verificando se o diâmetro do disco encaixa no resguardo. A roda pode partir durante a utilização e o resguardo ajuda a reduzir os riscos de ferimento pessoal.

Retire a ferramenta da tomada e vire-a ao contrário para ter fácil acesso ao eixo. Retire quaisquer acessórios do eixo. Rosque a escova de arame tipo disco no eixo e aperte com as chaves.

Ao utilizar a escova de arame tipo disco, evite aplicar força excessiva que pode causar a dobragem excessiva dos filamentos de arame e o desgaste prematuro.

MANUTENÇÃO

⚠ PRECAUÇÃO:

- Certifique-se sempre de que a ferramenta está desligada e a ficha retirada da tomada antes de executar qualquer inspecção ou manutenção.
- Nunca utilize gasolina, benzina, diluente, álcool ou produtos semelhantes. Pode ocorrer a descoloração, deformação ou rachaduras.

A ferramenta e os orifícios de ventilação têm de ser mantidos limpos. Limpe regularmente os orifícios de ventilação da ferramenta ou sempre que começarem a ficar obstruídos. (Fig. 28)

Para manter a SEGURANÇA e FIABILIDADE do produto, as reparações, a inspecção e substituição da escova de carvão, qualquer outra operação de manutenção ou ajuste, devem ser efectuados pelos centros de assistência autorizados da Makita, utilizando sempre peças de substituição Makita.

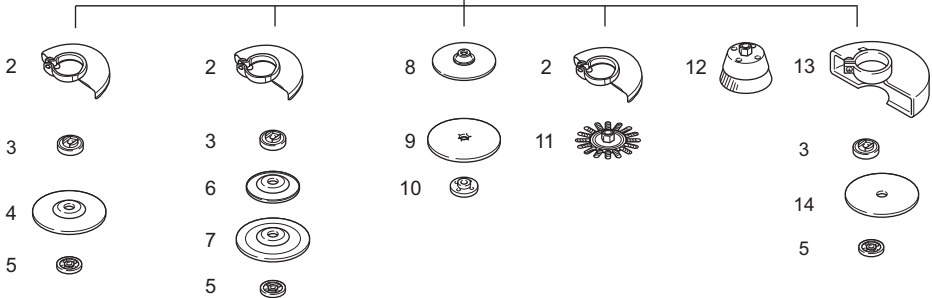
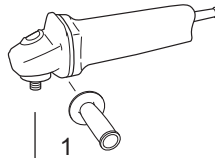
ACESSÓRIOS OPCIONAIS

⚠ PRECAUÇÃO:

- Estes acessórios ou peças são recomendados para utilização com a ferramenta Makita especificada neste manual. A utilização de outros acessórios ou peças pode ser perigosa para as pessoas. Utilize apenas acessórios ou peças para os fins indicados.

Se precisar de ajuda para obter mais informações relativos a estes acessórios, entre em contacto com o centro de assistência Makita local.

- Disco abrasivo
- Acoplamento da cobertura para poeira



	Modelo de 115 mm (4-1/2")	Modelo de 125 mm (5")
1	Punho 36	
2	Resguardo da roda (para disco de esmerilagem)	
3	Flange interior 42 Super flange 47 *1	
4	Roda deprimida ao centro/Disco de aba	
5	Contraporca 14-45 Ezynut *2	
6	Almofada de plástico	
7	Disco flexível	
8	Almofada de borracha 100	Almofada de borracha 115
9	Disco abrasivo	
10	Contraporca de lixagem 14-48	
11	Escova de arame tipo disco	
12	Escova de arame tipo copo	
13	Resguardo da roda (para disco de corte) *3	
14	Disco abrasivo de corte/disco diamantado	
-	Chave de porcas 35	

Nota:

*1 Não utilize Super flange com uma esmerilhadeira equipada com uma função de travagem.

*2 Não utilize Super flange e Ezynut em conjunto.

*3 Em alguns países europeus, pode-se utilizar um resguardo comum em vez de um resguardo especial que cobre ambos os lados da roda quando utilizar discos diamantados. Siga os regulamentos do seu país.

012987

NOTA:

- Alguns itens da lista podem estar incluídos na embalagem da ferramenta como acessórios padrão. Eles podem variar de país para país.

Ruído

A característica do nível de ruído A determinado de acordo com EN60745:

Nível de pressão de som (L_{pA}): 84 dB (A)

Nível do som (L_{WA}): 95 dB (A)

Variabilidade (K): 3 dB (A)

Utilize protectores para os ouvidos

ENG900-1

Vibração

O valor total da vibração (soma vectorial tri-axial) determinado de acordo com EN60745:

Modo de funcionamento: disco de lixagem com

punho lateral anti-vibração

Emissão de vibração ($a_{h,DS}$): 2,5 m/s² ou inferior

Variabilidade (K): 1,5 m/s²

Modo de funcionamento: disco de lixagem com punho lateral normal

Emissão de vibração ($a_{h,DS}$): 2,5 m/s² ou inferior

Variabilidade (K): 1,5 m/s²

Modo de funcionamento: esmerilagem de superfície com punho lateral anti-vibração

Emissão de vibração ($a_{h,AG}$): 4,0 m/s²

Variabilidade (K): 1,5 m/s²

Modo de funcionamento: esmerilagem de superfície com punho lateral normal

Emissão de vibração ($a_{h,AG}$): 5,0 m/s²

Variabilidade (K): 1,5 m/s²

ENG902-1

- O valor da emissão de vibração indicado foi medido de acordo com o método de teste padrão e pode ser utilizado para comparar duas ferramentas.
- O valor da emissão de vibração indicado pode também ser utilizado na avaliação preliminar da exposição.
- O valor declarado da emissão de vibração é utilizado em aplicações principais da ferramenta eléctrica. Contudo, se a ferramenta eléctrica for utilizada noutras aplicações, o valor da emissão de vibração pode ser diferente.

⚠ AVISO:

- A emissão de vibração durante a utilização real da ferramenta eléctrica pode diferir do valor de emissão indicado, dependendo das formas como a ferramenta é utilizada.
- Certifique-se de identificar as medidas de segurança para protecção do operador que sejam baseadas em uma estimativa de exposição em condições reais de utilização (considerando todas as partes do ciclo de operação, tal como quando a ferramenta está desligada e quando está a funcionar em marcha lenta além do tempo de accionamento).

Só para países Europeus**Declaração de conformidade CE**

A Makita declara que a(s) seguinte(s) máquina(s):

Designação da ferramenta:

Lixadeira Angular

Modelos n°/Tipo: SA5040C

Em conformidade com as seguintes diretivas europeias:

2006/42/CE

São fabricadas de acordo com as seguintes normas ou documentos normalizados:

EN60745

O ficheiro técnico de acordo com a 2006/42/CE está disponível em:

Makita, Jan-Baptist Vinkstraat 2, 3070, Bélgica

1.2.2016



Yasushi Fukaya

Director

Makita, Jan-Baptist Vinkstraat 2, 3070, Bélgica

Illustrationsoversigt

1 Aksellås	13 Arm	26 A-mærke
2 Skydeknop	14 Låsemøtrik	27 B-mærke
3 Indikatorlampe (hastighedsvælger)	15 Forsænket centerskive	28 C-mærke
4 Hastighedsvælger	16 Indvendig flange	29 D-mærke
5 Skrue	17 Låsemøtriknøgle	30 Slibende afskæringsskive/ diamantskive
6 Slibedisk	18 Ezynut	31 Beskyttelsesskærm til slibende afskæringsskive/diamantskive
7 Pude	19 Slibeskive	32 Trådkopbørste
8 Spindel	20 Pil	33 Skivetrådbørste
9 Hoveddæksel	21 Indhak	34 Udstødningsåbning
10 Gearhus	22 Flex-skive	35 Indsugningsåbning
11 Beskyttelsesskærm	23 Plasticpude	
12 Kuglelejboks	24 Slibelåsemøtrik	
	25 Gummipude	

SPECIFIKATIONER

Model	SA5040C
Slibeskives diameter	125 mm
Skivediameter	115 mm eller 125 mm (afhængigt af beskyttelsesskærmen, ekstraudstyr)
Maks. skivetykkelse	6,4 mm
Spindelgevind	M14
Nominal hastighed (n) / Hastighed uden belastning (n ₀)	7 800 min ⁻¹
Længde ialt	315 mm
Nettovægt	2,2 kg
Sikkerhedsklasse	II

- På grund af vores kontinuerlige forskningsprogrammer og udvikling, kan hosstående specifikationer blive ændret uden varsel.
- Specifikationer kan variere fra land til land.
- Vægt i henhold til EPTA-Procedure 01/2003

ENE094-1

Tilsigtet brug

Denne maskine er beregnet til afslibning, sandslibning og skæring i metal- og stenmaterialer uden anvendelse af vand. Ved afslibning og afskæring skal de korrekte beskyttelsesskærme være monteret.

ENF002-2

Strømforsyning

Maskinen må kun tilsluttes en strømforsyning med den samme spænding, som den der er angivet på typeskiltet, og kan kun anvendes med enkeltfaset vekselstrømforsyning. Den er dobbeltisoleret og kan derfor også anvendes fra kontakter uden jordledning.

GEA010-1

Almindelige sikkerhedsregler for el-værktøj

⚠ ADVARSEL! Læs alle sikkerhedsadvarsler og alle sikkerhedsinstruktioner. Hvis nedenstående advarsler og instruktioner ikke overholdes, kan resultatet blive elektrisk stød, brand og/eller alvorlig personskade.

Gem alle advarsler og instruktioner til fremtidig reference.

GEB097-3

SIKKERHEDSADVARSLER FOR POLERER/SLIBER

Almindelige sikkerhedsforskrifter for arbejde med slibning, slibning med sandpapir, stålborstning eller afskæring:

- 1. Denne maskine er beregnet til at fungere som en slibemaskine, slibemaskine med sandpapir, stålborste eller afskæringsværktøj. Læs alle de sikkerhedsadvarsler, instruktioner, illustrationer og specifikationer, som følger med denne maskine.** Forsømmelse af at følge alle instruktionerne herunder kan resultere i elektrisk stød, brand og/eller alvorlig tilskadekomst.
- 2. Det anbefales ikke at udføre operationer som for eksempel polering med denne maskine.** Anvendelse, som maskinen ikke er beregnet til, kan være farligt og føre til personskade.
- 3. Anvend ikke tilbehør, som ikke er specifikt lavet og anbefalet af maskinens fabrikant.** Den omstændighed, at tilbehøret kan monteres på din maskine, er ingen garanti for, at anvendelsen bliver sikkerhedsmæssig forsvarlig.
- 4. Tilbehøret skal være beregnet til mindst den nominelle hastighed, som er anført på maskinen.** Tilbehør, som kører med en større hastighed end den, som tilbehøret er beregnet til, kan brække og slynges af.

5. **Tilbehørets ydre diameter og tykkelse skal være inden for din maskines kapacitetsrating.** Tilbehør med en forkert størrelse kan ikke beskyttes eller styres tilstrækkeligt.
 6. **Gevindmontering af tilbehør skal passe til maskinens spindelgevind.** For tilbehør, som monteres med flanger, skal dornhullet på tilbehøret passe til lokaliseringsdiametere på flangen. Tilbehør, som ikke passer til maskinens monteringsdele, vil miste balancen, vibrere ekstremt og kan føre til tab af kontrol.
 7. **Anvend ikke beskadiget tilbehør.** Inspicer altid tilbehøret inden brugen, som for eksempel slibeskiver, for skår og revner, bagskiven for revner, slitage eller ekstrem nedslidning, stålørsten for løse eller revnede tråde. Hvis maskinen eller tilbehøret tabes, skal de efterses for skade, eller en ubeskadiget tilbehørsdel skal monteres. Efter inspektion og montering af tilbehør, skal De og omkringstående stå på god afstand af det roterende tilbehørs høvl, og maskinen skal køres på højeste, ubelastede hastighed i et minut. Beskadiget tilbehør vil normalt brække under prøvetiden.
 8. **Anvend personligt beskyttelsesudstyr.** Afhængigt af brugen skal der anvendes beskyttelsesbriller eller sikkerhedsbriller. Anvend, alt efter forholdene, støvmaske, høreværn, handsker og forklæde, som kan stoppe mindre skarpe dele eller dele fra arbejdsemnet. Øjenbeskyttelsen skal kunne stoppe afslyngede stykker, som er frembragt af forskelligt arbejde. Støvmaske og respirator skal kunne stoppe filtreringspartikler, som er frembragt af arbejdet. Længere tids udsættelse for støj af høj intensitet kan føre til høretab.
 9. **Hold tilskuere på god afstand af arbejdsområdet.** Enhver person, som befinder sig i arbejdsområdet, skal bære personligt beskyttelsesudstyr. Fragmenter fra arbejdsemner eller fra brækket tilbehør kan blive slynget af og være årsag til tilskadekomst, også uden for det umiddelbare arbejdsområde.
 10. **Hold kun maskinen i de isolerede håndtagsflader, når der udføres et arbejde, hvor det skærende tilbehør kan komme i berøring med skjulte ledninger eller dets egen ledning.** Skærende tilbehør, som kommer i berøring med en strømførende ("live") ledning, kan bevirke, at udsatte metaldele på maskinen bliver ledende, hvorved operatøren kan få stød.
 11. **Anbring altid ledningen, så den ikke kommer i kontakt med drejende tilbehør.** Hvis De mister herredømmet over maskinen, kan ledningen blive skåret over, og Deres hånd eller arm kan komme i kontakt med det roterende tilbehør.
 12. **Læg aldrig maskinen fra Dem, før tilbehøret er stoppet fuldstændigt.** Det roterende tilbehør kan gribe fat i overfladen, hvilket kan bevirke, at De mister herredømmet over maskinen.
 13. **Lad ikke maskinen køre, mens De bærer den ved siden.** Utilsigtet kontakt med det roterende tilbehør kan gribe fat i tøjet og derved trække tilbehøret ind mod kroppen.
 14. **Rengør maskinens ventilationsåbninger med jævne mellemrum.** Motorens vifte vil trække støv ind i huset, og en kraftig ophobning af metalstøv kan skabe elektrisk fare.
 15. **Anvend ikke maskinen i nærheden af brændbare materialer.** Disse materialer kan blive antændt af gnister.
 16. **Anvend ikke tilbehør, der kræver kølevæske.** Anvendelse af vand eller anden kølevæske kan resultere i dødelige stød eller elektriske stød.
- Tilbageslag og relaterede advarsler**
- Tilbageslag er en pludselig reaktion på en fastklemt eller blokeret roterende skive, bagskive eller andet tilbehør. En fastklemt eller blokeret del forårsager hurtig standsning af det roterende tilbehør, som derved bliver årsag til, at den ukontrollerede maskine bliver tvunget i den modsatte retning ved punktet for bindingen. Hvis for eksempel en slibeskive er blokeret eller fastklemt af arbejdsemnet, kan kanten på skiven, som går ind i fastklæmningspunktet, grave sig ind i materialets overflade og derved bevirke, at skiven kommer ud eller presses ud. Skiven kan enten slynges mod eller bort fra operatøren, afhængigt af skivens bevægelse på fastklæmningspunktet. Slibeskiver kan også brække under disse forhold.
- Tilbageslag er resultatet af misbrug af maskinen og/eller fejlagtig anvendelse eller forkerte brugsforhold og kan undgås ved at man tager de rigtige forholdsregler som vist herunder.
- a) **Hold godt fast i maskinen og hold kroppen og armen således, at De kan modvirke tilbageslagskraften.** Anvend altid **hjelpehåndtaget, hvis et sådant medfølger, til at opnå maksimal kontrol af tilbageslag og drejningsmoment under starten.** Operatøren kan kontrollere drejningsmomentreaktion eller tilbageslagskraft, hvis de rigtige forholdsregler tages.
 - b) **Anbring aldrig hænderne i nærheden af roterende tilbehør.** De risikerer at få hånden ind i tilbageslagets bane.
 - c) **Stil Dem ikke i det område, hvor maskinen vil bevæge sig, hvis er opstår tilbageslag.** Tilbageslag vil slynge maskinen i den modsatte retning af hjulets omdrejning på blokeringsstidspunktet.
 - d) **Vær særlig omhyggelig, når De arbejder på hjørner, skarpe kanter etc.** Undgå at bumpe eller blokere tilbehøret. Hjørner, skarpe kanter eller bumpen har tendens til at blokere det roterende tilbehør og forårsage tab af kontrol eller tilbageslag.
 - e) **Monter ikke en kædesavs træskæreklinge eller en savklinge med tænder.** Sådanne klinger giver hyppige tilbageslag og tab af kontrol.
- Særlige sikkerhedsforskrifter for arbejde med slibning og afskæring:**
- a) **Anvend kun skivetyper, som anbefales til din maskine og den specielle beskyttelsesskærm, som er beregnet til den valgte skive.** Skiver, for hvilke maskinen ikke er beregnet, kan ikke afskærmes tilstrækkeligt og er ikke sikkerhedsmæssigt forsvarlige.

- b) **Slibefladen på forkrøppede centerslibeskiver skal monteres under beskyttelsesskærmkantens flade.** En forkert monteret skive, som stikker ud fra beskyttelsesskærmkantens flade, kan ikke beskyttes tilstrækkeligt.
- c) **Beskyttelseskærmen skal være ordentligt monteret på maskinen og placeret, så den optimale sikkerhed opnås, således at mindst muligt af skiven vender mod operatoren.** Beskyttelseskærmen bidrager til at beskytte operatoren mod afbrækkede skivefragmenter og utilsigtet kontakt med skiven og gnister, der kan antænde tøjet.
- d) **Skiver må kun anvendes til de anbefalede opgaver. For eksempel: slib ikke med siden af en afskæringsskive.** Slibende afskæringsskiver er beregnet til periferisk slibning. Hvis disse skiver udsættes for sidetryk, kan resultatet blive, at de brækker.
- e) **Anvend altid ubeskadigede skiveflanger, som har den rigtige størrelse og form til den valgte skive.** Rigtige skiveflanger støtter skiven, hvorved risiko for skivebrud nedsættes. Flanger til afskæringsskiver kan være anderledes end slibeskiveflanger.
- f) **Anvend ikke nedslidte skiver fra andre maskiner.** Skiver, som er beregnet til større maskiner, er ikke egnede til en mindre maskines højere hastighed og kan brække.

Supplerende sikkerhedsforskrifter for arbejde med slibende afskæring:

- a) **Vær påpasselig med ikke at "klemme" skæreskiven fast eller udsætte den for et ekstremt tryk. Forsøg ikke at lave en for stor skæredybde.** Et for stort pres på skiven vil øge belastningen og risikoen for at skiven vrider eller binder i snittet med risiko for tilbageslag eller brud på skiven til følge.
- b) **Stå ikke på linje med eller bag den roterende skive.** Når skiven under anvendelse drejer bort fra Dem, kan et muligt tilbageslag bevirke, at den roterende skive og maskinen slynges direkte mod Dem.
- c) **Hvis skiven binder eller hvis en skæring af en eller anden årsag afbrydes, skal De slukke for maskinen og holde den ubevægelig, indtil skiven er holdt helt op med at dreje. Forsøg aldrig at fjerne afskæringsskiven fra snittet, mens skiven er i bevægelse, da dette kan føre til tilbageslag.** Undersøg problemet og tag de rigtige forholdsregler for at eliminere årsagen til at skiven binder.
- d) **Lad være med at starte skæringen i arbejdsemnet. Lad skiven komme op på fuld hastighed og gå derefter forsigtigt ind i snittet igen.** Skiven kan binde, presses op eller give tilbageslag, hvis maskinen startes igen i arbejdsemnet.

- e) **Understøt paneler eller alle arbejdsemner i overstørrelse for at minimere risikoen for fastklemning af skiven og tilbageslag.** Store arbejdsemner har tendens til at synke sammen under deres egen vægt. Der skal derfor anbringes støtteanordninger under arbejdsemnet i nærheden af snitlinjen og nær kanten på arbejdsstykket på begge sider af skiven.
- f) **Vær ekstra forsigtig, når De laver et "lommensnit" i eksisterende vægge eller andre blinde områder.** Den fremspringende skive kan komme til at skære i gas- og vandrør, elektriske ledninger eller genstande, som kan forårsage tilbageslag.

Sikkerhedsforskrifter for slibning med sandpapir:

- a) **Anvend ikke sandpapir af overstørrelse. Følg fabrikantens anbefalinger, når De vælger sandpapir.** Større sandpapir, som går ud over sandpapirskiven, udgør en fare for sønderrivelse og kan medføre blokering og beskadigelse af skiven eller være årsag til tilbageslag.

Sikkerhedsforskrifter for stålborstning:

- a) **Vær opmærksom på, at stålborstehårene afstødes fra børsten selv under almindelig anvendelse. Udsæt ikke stålborstehårene for et for stort tryk ved at trykke for kraftigt på børsten.** Stålborstehårene kan nemt gennemtrænge tynde klæder og/eller huden.
- b) **Hvis anvendelse af en beskyttelseskærm ved stålborstning anbefales, må man ikke tillade interferens af stålborsteskinden eller børsten med beskyttelseskærmen.** Stålborsteskinden eller børsten kan udvide sig i diameter på grund af arbejdsbelastningen og centrifugalkraften.

Supplerende sikkerhedsforskrifter:

17. **Hvis der anvendes forkrøppet centerslibeskive, skal man sørge for kun at anvende fiberglasforstærkede skiver.**
18. **ANVEND ALDRIG skiver af Stone Cup-typen med denne sliber.** Denne sliber er ikke beregnet til disse typer skiver, og anvendelse af et sådant produkt kan resultere i alvorlig tilskadekomst.
19. **Vær påpasselig med ikke at komme til at beskadige spindelen, flangen (specielt monteringsfladen) eller låsemøtrikken.** Beskadigelse af disse dele kan resultere i at skiven brækker.
20. **Sørg for, at skiven ikke er i berøring med arbejdsemnet, inden De tænder for maskinen med afbryderen.**
21. **Inden De begynder at anvende maskinen på et rigtigt arbejdsemne, skal De lade den køre i et stykke tid. Vær opmærksom på vibrationer eller slør, som kan være tegn på dårlig montering eller en forkert afbalanceret skive.**
22. **Anvend den specificerede overflade på skiven til at udføre slibningen.**
23. **Læg ikke maskinen fra Dem, mens den stadig kører. Anvend kun maskinen som håndværktøj.**
24. **Berør ikke arbejdsemnet lige efter at arbejdet er udført. Det kan blive meget varmt og være årsag til forbrændinger.**

25. Overhold altid fabrikantens instruktioner for korrekt montering og anvendelse af skiver. Behandl og opbevar skiver med forsigtighed.
26. Anvend ikke en separat bøsning eller adapter til at tilpasse slibeskiver med store centerhuller til maskinen.
27. Anvend kun de anbefalede flanger til denne maskine.
28. Ved anvendelse af maskiner, der er beregnet til montering af slibeskiver med gevindforsynet hul, skal det altid sikres, at gevindet i skiven er langt nok i forhold til spindellængden.
29. Kontrollér at emnet er korrekt understøttet.
30. Forsigtig! Skiven fortsætter med at rotere, efter at der slukket for maskinen.
31. Hvis arbejdsstedet er ekstremt varmt eller fugtigt, eller slemt tilsnævst med ledende støv, bør der anvendes en kortslutningsafbryder (30 mA) for at garantere sikkerheden under arbejdet.
32. Anvend aldrig maskinen på materialer, der indeholder asbest.
33. Anvend altid den støvopsamlende beskyttelseskærm, som er påkrævet ifølge de lokale regler, når skæreskiven anvendes.
34. Skæreskiver må ikke udsættes for tryk fra siden.
35. Anvend ikke stofarbejdsdandsker under brugen. Fibre fra stofhandsker kan muligvis trænge ind i maskinen, hvilket forvolder skade på maskinen.

GEM DISSE FORSKRIFTER.

⚠ ADVARSEL:

LAD IKKE bekvemmelighed eller kønsskab til produktet (opnået gennem gentagen brug) forhindre, at sikkerhedsforskrifterne for produktet nøje overholdes. MISBRUG eller forsømmelse af at følge de i denne brugsvejledning givne sikkerhedsforskrifter kan føre til, at De kommer alvorligt til skade.

FUNKTIONSBEKRIVELSE

⚠ FORSIGTIG:

- Sørg altid for, at der er slukket for værktøjet og at den er taget ud af forbindelse, inden værktøjets funktion justeres eller kontrolleres.

Aksellås (Fig. 1)

⚠ FORSIGTIG:

- Udløs aldrig aksellåsen, mens spindelen bevæger sig. Maskinen kan lide skade.

Tryk på aksellåsen for at forhindre, at spindelen roterer, når tilbehør monteres eller afmonteres.

Afbryderanvendelse (Fig. 2)

⚠ FORSIGTIG:

- Før maskinen tilsluttes, skal det altid kontrolleres, at skydekontakten fungerer ordentligt og vender tilbage til "OFF"-stillingen, når bagsiden af skydekontakten trykkes ind.
- Kontakten kan låses i "ON"-stillingen for at gøre det nemmere for brugeren ved længere tids brug af maskinen. Vær forsigtig, når maskinen låses i "ON"-stillingen, og hold godt fast i maskinen.

For at starte maskinen, skal man trykke kontakten mod "I (ON)"-stillingen ved at trykke på bagsiden af skydekontakten. For kontinuerlig brug skal man trykke på forsiden af skydekontakten for at låse den.

For at stoppe maskinen, skal man trykke på bagsiden af skydekontakten og derefter trykke den mod "O (OFF)"-stillingen.

Indikatorlampe (Fig. 3)

Indikatorlampen lyser grønt, når maskinen er tilsluttet. Hvis indikatorlampen ikke tændes, kan det betyde, at lysnetledningen eller kontrolenheden er defekt. Indikatorlampen er tændt, men maskinen starter ikke, selv hvis der er tændt for maskinen, kulbørsterne kan være slidt ned, eller kontrolenheden, motoren eller afbryderen (ON/OFF) kan være defekt.

Sikring mod utilsigtet start

Maskinen starter ikke med afbryderen i lås-til stilling, selv hvis maskinen er tilsluttet.

På dette tidspunkt blinker indikatorlampen rødt og viser, at anordningen for sikring mod utilsigtet start er aktiveret. For at annullere sikringen mod utilsigtet start, skal man sætte afbryderen tilbage til "O (OFF)" stillingen.

Hastighedsvælger (Fig. 4)

Omdrejningshastigheden kan ændres ved at man drejer hastighedsvælgeren til en given talindstilling fra 1 til 5.

En højere hastighed opnås, når vælgeren drejes i retningen mod tallet 5. En lavere hastighed opnås, når vælgeren drejes i retningen mod tallet 1.

Se nedenstående oversigt angående forholdet mellem talindstillingerne på vælgeren og den omtrentlige omdrejningshastighed.

Tal	min ⁻¹ (R.P.M.)
1	2 000
2	3 000
3	4 000
4	5 500
5	7 800

012757

⚠ FORSIGTIG:

- Hvis maskinen anvendes uafbrudt med lav hastighed i længere tid, vil motoren blive overbelastet og ophedet.
- Hastighedsvælgeren kan kun drejes til 5 og tilbage til 1. Tving den ikke forbi 5 eller 1, da hastighedsvælgerfunktionen i så fald kan holde op med at fungere.

Elektronisk funktion

Maskineren, som er styret med en elektronisk funktion, er nemme at betjene på grund af de følgende egenskaber.

Konstant hastighedskontrol

Konstant hastighedskontrol giver en fin finish ved at omdrejningshastigheden holdes konstant under den belastede tilstand.

Funktion for blød start

Funktionen for blød start undertrykker startstød.

Overbelastningsbeskytter

Hvis belastningen på maskinen overstiger tilladte niveauer, reduceres strømmen til maskinen, således at motoren beskyttes mod overophedning. Når belastningen igen er på tilladte niveauer, vil maskinen fungere normalt.

SAMLING

⚠️ FORSIGTIG:

- Sørg altid for at værktøjet er slukket og netstikket trukket ud, inden der foretages noget arbejde på selve værktøjet.

Montering af sidegreb (håndtag) (Fig. 5 og 6)

⚠️ FORSIGTIG:

- Sørg altid for, at sidegrebet er ordentligt monteret inden brugen.

Fjern en af de skruer, der holder hoveddækslet fast. Skru derefter sidegrebet ind i skruehullet.

Montering af pude og slibedisk (Fig. 7 og 8)

Fjern al snavs og alle fremmedlegemer fra puden. Skru puden på spindelen ved at trykke på aksellåsen. Monter slibedisken på midten af puden. Sørg for, at puden anbringes inden for kanten af slibedisken.

Slibedisken fjernes ved at man trækker dens kant af puden.

VED ANVENDELSE SOM SLIBEMASKINE (Fig. 9, 10 og 11)

Når maskinen anvendes som slibemaskine, skal man fjerne hoveddækslet og montere sidegrebet og en beskyttelsesskærm (ekstraudstyr).

Løsn skrueene og fjern hoveddækslet.

Skrú sidegrebet ordentligt på maskinen på det på illustrationen viste sted.

⚠️ FORSIGTIG:

- Sørg altid for, at sidegrebet er ordentligt monteret inden brugen.

Montering og afmontering af beskyttelsesskærm (til forsænket centerskive, bladdisk, flex-skive, trådskivebørste / slibende afskæringsskive, diamantskive) (ekstraudstyr) (Fig. 12, 13 og 14)

⚠️ ADVARSEL:

- Ved brug af en forsænket centerslibeskive, bladdisk, flex-skive eller trådskivebørste skal beskyttelsesskærmen monteres på maskinen, så den lukkede side af skærmen altid vender mod operatøren.
- Ved brug af slibende afskæringsskive /diamantskive skal man sørge for kun at anvende den særlige beskyttelsesskærm, der er beregnet til brug med afskæringsskiver. (I nogle lande i Europa kan den almindelige beskyttelsesskærm anvendes, når man anvender en diamantskive. Følg bestemmelserne for det pågældende land.)

For værktøjer med beskyttelsesskærm af låseskruetypen

Monter beskyttelsesskærmen, så fremspringet på båndet på beskyttelsesskærmen er ud for indhakkene på kuglelejboksen. Drej derefter beskyttelsesskærmen 180° mod uret. Sørg for at stramme skruen godt til. Følg fremgangsmåden til montering i modsat rækkefølge for at afmontere beskyttelsesskærmen.

For værktøjer med beskyttelsesskærm af klingefastholdertypen

Træk fastholderen i pilens retning efter at skruen er løst. Monter beskyttelsesskærmen, så fremspringet på båndet på beskyttelsesskærmen er ud for indhakkene på kuglelejboksen. Drej derefter beskyttelsesskærmen 180°.

Stram beskyttelsesskærmen med befæstelsesskruen, efter at fastholderen er trukket i pilens retning. Beskyttelsesskærmens indstillingsvinkel kan reguleres med fastholderen. Følg fremgangsmåden til montering i modsat rækkefølge for at afmontere beskyttelsesskærmen.

Montering eller afmontering af forsænket centerskive eller bladdisk (ekstraudstyr) (Fig. 15 og 16)

⚠️ ADVARSEL:

- Når en forsænket centerskive eller bladdisk anvendes, skal beskyttelsesskærmen sættes på maskinen, så den lukkede side af skærmen altid er rettet mod operatøren.

Monter den indvendige flange på spindelen. Anbring skiven/disken på den indvendige flange og skru låsemøtrikken på spindelen.

Låsemøtrikken strammes ved at man trykker fast på aksellåsen, så spindelen ikke kan dreje, og derefter anvender låsemøtriknøglen til at stramme godt til i retningen med uret.

Gå frem i modsat rækkefølge af monteringsproceduren, når skiven skal tages af.

Superflange (ekstraudstyr)

Modeller med bogstavet F er udstyret med en superflange som standard. Der behøves kun 1/3 kraft til at løsne låsemøtrikken i forhold til den almindelige type.

⚠️ FORSIGTIG:

- Brug ikke superflanger for modeller, som er udstyret med mekanisk bremse. Ellers kan den løsne sig, når bremsen aktiveres.

Montering og afmontering af Ezynut (ekstraudstyr) (Fig. 17, 18, 19 og 20)

⚠️ FORSIGTIG:

- Brug ikke Ezynut sammen med en superflange eller vinkelsliber med "F" sidst i modelnummeret. Disse flanger er så tykke, at spindelen ikke kan holde hele gevinddelen.

Monter den indre flange, slibeskiven og Ezynut på spindelen, så Makita-logoet på Ezynut vender udad.

Tryk fast på aksellåsen og stram Ezynut ved at dreje slibeskiven så langt med uret som muligt.

Drej yderringen på Ezynut i retningen mod uret for at løsne den.

BEMÆRK:

- Ezynut kan løsnes med håndkraft, så længe pilen peger mod indhaket. Ellers kræves der en låsemøtriknøgle til at løsne den. Sæt nøglens ene ben ind i et hul og dreg Ezynut mod uret.

Montering og afmontering af flex-skive (ekstraudstyr) (Fig. 21)

⚠️ ADVARSEL:

- Brug altid den medfølgende beskyttelsesskærm, når flex-skiven er monteret på maskinen. Skiven kan brække under brugen, og beskyttelsesskærmen bidrager til at reducere risikoen for tilskadekomst.

Følg instruktionerne for den forsænkede centerskive, men brug også plasticpuden over skiven. Se rækkefølgen for samling på siden med beskrivelse af tilbehør i denne brugsanvisning.

Montering og afmontering af slibedisk (ekstraudstyr) (Fig. 22)

BEMÆRK:

- Brug slibetilbehør, som er specificeret i denne brugsanvisning. Dette skal anskaffes separat.

Monter gummipuden på spindelen. Monter disken på gummipuden og skru slibelåsemøtrikken på spindelen. For at stramme slibelåsemøtrikken, trykkes der fast på aksellåsen, så spindelen ikke kan dreje rundt. Brug derefter låsemøtriknøglen til at stramme godt til med uret. Følg fremgangsmåden til montering i modsat rækkefølge for at afmontere disken.

Montering og afmontering af støvdæksel (ekstraudstyr) (Fig. 23)

⚠ ADVARSEL:

- Sørg altid for, at maskinen er afbrudt og taget ud af forbindelse, inden støvdækslet monteres eller afmonteres. Forsømmelse af dette vil øve skade på maskinen eller medføre tilskadekomst.

Støvdækslet består af fire dele, og hver af dem anvendes i en forskellig stilling.

Anbring støvdækslet således, at markeringen (A, B, C eller D) kommer til at sidde som vist. Tryk benene ind i ventilationsåbningerne.

Støvdækslet kan afmonteres manuelt.

BEMÆRK:

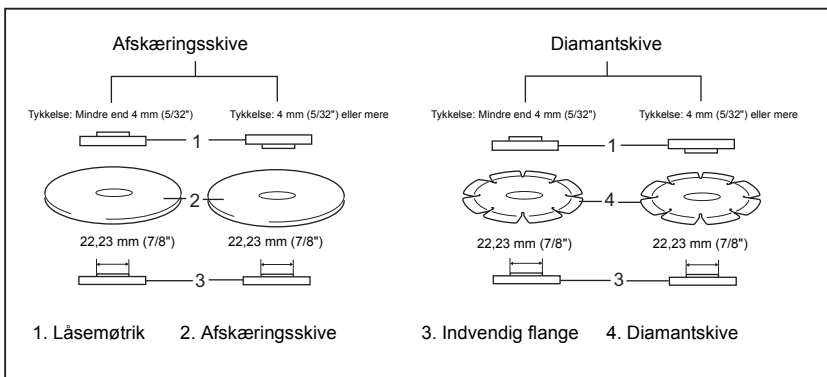
- Rengør støvdækslet, når det er blevet tilstoppet med støv eller fremmedlegemer. Hvis man fortsætter anvendelsen med et tilstoppet støvdæksel, vil maskinen lide skade.

BETJENING

⚠ ADVARSEL:

- Det bør aldrig være nødvendigt at anvende magt på maskinen. Maskinens egen vægt sørger for det nødvendige tryk. Tvang og ekstremt tryk kan medføre farlige brud på skiven.

Se oversigten herunder.



011644

- Skift ALTID skiven ud, hvis maskinen tabes under slibning.
- Stød eller slå ALDRIG slibeskiven mod arbejdsemnet.
- Undgå at støde og vride skiven, især ved arbejde på hjørner, skarpe kanter o.s.v. Det kan medføre tab af kontrol og tilbageslag.
- Anvend ALDRIG maskinen med klinger, der er beregnet til skæring i træ, og andre savklinger. Hvis sådanne klinger anvendes på en vinkelsliber, bliver resultatet ofte tilbageslag og tab af kontrol, hvilket kan føre til tilskadekomst.

⚠ FORSIGTIG:

- Tænd aldrig for maskinen, mens den er i kontakt med arbejdsemnet. Operatøren kan i så fald komme til skade.
- Bær altid beskyttelsesbriller eller ansigtmaske under brugen.
- Efter brugen skal man altid slukke for maskinen og vente, indtil skiven er stoppet helt, inden man lægger maskinen fra sig.

Slibning og sandslibning (Fig. 24)

Hold ALTID godt fast i maskinen med den ene hånd på maskinhuset og den anden på sidehåndtaget. Rør ikke ved metaldelene. Start maskinen og anbring derefter skiven eller disken på arbejdsemnet.

Generelt skal kanten på skiven eller disken holdes i en vinkel på ca. 15° mod arbejdsemnets overflade.

I det tidsrum, hvor en ny skive indkøres, må man ikke arbejde med slibemaskinen i retning B, da dette vil bevirke, at den skærer ind i arbejdsemnet. Når først et stykke tids anvendelse har rundet kanten af skiven af, kan den anvendes i både retning A og B.

Anvendelse med slibende afskæringsskive/ diamantskive (ekstraudstyr) (Fig. 25)

Retningen for montering af låsemøtrikken og den indvendige flange afhænger af skivetykkelsen.

ADVARSEL:

- Ved brug af slibende afskæringsskive /diamantskive skal man sørge for kun at anvende den særlige beskyttelsesskærm, der er beregnet til brug med afskæringsskiver. (I nogle lande i Europa kan den almindelige beskyttelsesskærm anvendes, når man anvender en diamantskive. Følg bestemmelserne for det pågældende land.)
- Anvend ALDRIG en afskæringsskive til sideslibning.
- Vær påpasselig med ikke at "klemme" skiven eller udsætte den for ekstremt tryk. Forsøg ikke at lave et snit af ekstrem dybde. Et for stort pres på skiven vil øge belastningen og risikoen for at skiven vrider eller binder i snittet samt risiko for tilbageslag, brud på skiven og overophedning af motoren.
- Begynd ikke skæringen i arbejdsemnet. Lad skiven komme op på fuld hastighed og gå omhyggeligt ind i snittet, idet maskinen bevæges fremad over arbejdsemnets overflade. Skiven kan binde, presses op eller give tilbageslag, hvis maskinen startes i arbejdsemnet.
- Under skæring må man aldrig ændre skivens vinkel. Hvis man øver sidelæns tryk på afskæringsskiven (som ved slibning), vil det bevirke, at skiven revner eller brækker med alvorlig tilskadekomst til følge.
- En diamantskive skal anvendes vinkelret på det materiale, der skæres i.

Anvendelse med trådkopbørste (ekstraudstyr) (Fig. 26)

FORSIGTIG:

- Kontroller børstens funktion ved at køre maskinen uden belastning, og sørg for at der ikke befinder sig nogen personer foran eller i forlængelse af børsten.
- Anvend ikke en børste, som er beskadiget, eller som ikke er i balance. Anvendelse af en beskadiget børste kan øge risikoen for tilskadekomst foårsaget af kontakt med knækkede børstetråde.

Tag maskinen ud af forbindelse og anbring den på hovedet, så der er nem adgang til spindelen. Fjern alt ekstraudstyr på spindelen. Monter trådkopbørsten på spindelen og stram til med den medfølgende nøgle. Undgå, når børsten anvendes, at udøve et for stort tryk, som medfører overbøjning af tråde, med for tidligt brud på disse.

Anvendelse med trådskeibørste (ekstraudstyr) (Fig. 27)

FORSIGTIG:

- Kontroller trådskeibørstens funktion ved at køre maskinen uden belastning, og sørg for, at der ikke befinder sig nogen personer foran eller i forlængelse af børsten.
- Anvend ikke en trådskeibørste, som er beskadiget, eller som ikke er i balance. Anvendelse af en beskadiget trådskeibørste kan øge risikoen for kontakt med ødelagte tråde.
- Anvend ALTID en beskyttelsesskærm med trådskeibørster, og sørg for, at skivens diameter passer inden i beskyttelsesskærmen. Skiven kan brække under brugen, og beskyttelsesskærmen bidrager til at reducere risikoen for tilskadekomst.

Tag maskinen ud af forbindelse og anbring den på hovedet, så der er nem adgang til spindelen. Fjern alt ekstraudstyr på spindelen. Sæt trådskeibørsten på spindelen og stram med nøglerne.

Undgå, når trådskeibørsten anvendes, at udøve et for stort tryk, som medfører overbøjning af tråde, med for tidligt brud på disse.

VEDLIGEHOLDELSE

FORSIGTIG:

- Kontroller altid, at værktøjet er slået fra, og at netstikket er trukket ud, inden der udføres eftersyn eller vedligeholdelse.
- Anvend aldrig benzin, rensebenzin, fortynder, alkohol og lignende. Resultatet kan blive misfarvning, deformation eller revner.

Maskinen og dens ventilationsåbninger skal altid holdes rene. Rengør maskinens ventilationsåbninger med jævne mellemrum eller når ventilationsåbningerne begynder at blive tilstoppede. (Fig. 28)

For at opretholde produktets SIKKERHED og PÅLIDELIGHED bør reparation, inspektion og udskiftning af kul, samt anden vedligeholdelse og justering kun udføres af et autoriseret Makita service-center eller værksted med anvendelse af originale Makita udskiftningsdele.

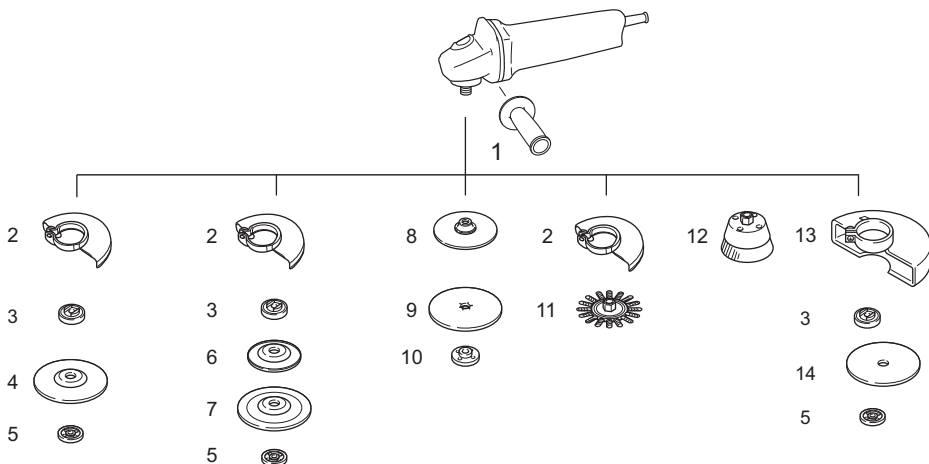
EKSTRAUDSTYR

FORSIGTIG:

- Det følgende tilbehør og ekstraudstyr er anbefalet til brug med Deres Makita maskine, der er beskrevet i denne brugsanvisning. Anvendelse af andet tilbehør eller ekstraudstyr kan udgøre en risiko for personskade. Anvend kun tilbehør og ekstraudstyr til det beskrevne formål.

Hvis De har behov for yderligere detaljer om dette tilbehør, bedes De kontakte Deres lokale Makita Service Center.

- Slibedisk
- Støvdæksel



	115 mm (4-1/2") model	125 mm (5") model
1	Greb 36	
2	Beskyttelsesskærm (til slibeskive)	
3	Indvendig flange 42 Superflange 47 *1	
4	Forsænket centerslibeskive/bladdisk	
5	Låsemøtrik 14-45 Ezynut *2	
6	Plasticpude	
7	Flex-skive	
8	Gummipude 100	Gummipude 115
9	Slibedisk	
10	Sandslibelåsemøtrik 14-48	
11	Skivetrådbørste	
12	Trådkopbørste	
13	Beskyttelsesskærm (til afskæringsskive) *3	
14	Slibende afskæringsskive/diamantskive	
-	Låsemøtriknøgle 35	

Bemærk:

*1 Anvend ikke superflange med en slibemaskine, som er udstyret med en bremsefunktion.

*2 Anvend ikke superflange og Ezynut sammen.

*3 I nogle lande i Europa kan den almindelige beskyttelsesskærm anvendes i stedet for den specielle beskyttelsesskærm, som dækker begge sider af skiven, når man anvender en diamantskive. Følg bestemmelserne i det pågældende land.

012987

BEMÆRK:

• Nogle ting på denne liste kan være inkluderet i værktøjspakken som standardtilbehør. Det kan være forskelligt fra land til land.

Lyd

Det typiske A-vægtede støjniveau bestemt i overensstemmelse med EN60745:

Lydtryksniveau (L_{pA}): 84 dB (A)
 Lydeffektniveau (L_{WA}): 95 dB (A)
 Usikkerhed (K): 3 dB (A)

Bær høreværn

ENG900-1

Vibration

Vibrations totalværdi (tre-aksial vektorsum) bestemt i overensstemmelse med EN60745:

Arbejdsindstilling: disksandslibning med anti-vibrationssidegreb
 Vibrationsafgivelse ($a_{h, DS}$): 2,5 m/s² eller mindre
 Usikkerhed (K): 1,5 m/s²

Arbejdsindstilling: disksandslibning med normalt sidegreb
 Vibrationsafgivelse ($a_{h, DS}$): 2,5 m/s² eller mindre
 Usikkerhed (K): 1,5 m/s²

Arbejdsindstilling: overfladeslibning med anti-vibrationssidegreb
 Vibrationsafgivelse ($a_{h, AG}$): 4,0 m/s²
 Usikkerhed (K): 1,5 m/s²

Arbejdsindstilling: overfladeslibning med normalt sidegreb
 Vibrationsafgivelse ($a_{h, AG}$): 5,0 m/s²
 Usikkerhed (K): 1,5 m/s²

ENG902-1

- Den angivne vibrationsemissionsværdi er blevet målt i overensstemmelse med standardtestmetoden og kan anvendes til at sammenligne en maskine med en anden.
- Den angivne vibrationsemissionsværdi kan også anvendes i en preliminær eksponeringsvurdering.
- Den angivne vibrationsemissionsværdi anvendes til maskinens hovedopgaver. Hvis maskinen imidlertid anvendes til andre opgaver, kan vibrationsemissionsværdien være forskellig.

⚠ ADVARSEL:

- Vibrationsemissionen under den faktiske anvendelse af maskinen kan være forskellig fra den erklærede emissionsværdi, afhængigt af den måde, hvorpå maskinen anvendes.
- Sørg for at identificere de sikkerhedsforskrifter til beskyttelse af operatøren, som er baseret på en vurdering af eksponering under de faktiske brugsforhold (med hensyntagen til alle dele i brugszyklen, som f.eks. de gange, hvor maskinen er slukket og når den kører i tomgang i tilgift til afbrydertiden).

Kun for lande i Europa**EU-konformitetserklæring**

Makita erklærer, at den følgende maskine (maskiner):

Maskinens betegnelse:

Vinkelpolerer

Model nr./ Type: SA5040C

Er i overensstemmelse med de europæiske direktiver:

2006/42/EU

De er fremstillet i overensstemmelse med den følgende standard eller standardiserede dokumenter:

EN60745

Den tekniske fil, som er i overensstemmelse med 2006/42/EU, er tilgængelig fra:

Makita, Jan-Baptist Vinkstraat 2, 3070, Belgien

1.2.2016



Yasushi Fukaya
 Direktør

Makita, Jan-Baptist Vinkstraat 2, 3070, Belgien

Περιγραφή γενικής άποψης

1 Εξάρτημα κλειδώματος άξονα	14 Παξιμάδι ασφάλισης	28 Ένδειξη C
2 Κυλιόμενος διακόπτης	15 Τροχός χαμηλωμένου κέντρου	29 Ένδειξη D
3 Ενδεικτική λυχνία (επιλογέας ρύθμισης ταχύτητας)	16 Εσωτερική φλάντζα	30 Τροχός λείανσης κοπής/ διαμαντοτροχός
4 Επιλογέας ρύθμισης ταχύτητας	17 Κλειδί παξιμαδιού ασφάλισης	31 Προφυλακτικής τροχού για τροχό λείανσης κοπής/ διαμαντοτροχό
5 Βίδα	18 Ezygnut	32 Συρμάτινη βούρτσα σχήματος κούπας
6 Δίσκος λείανσης	19 Τροχός λείανσης	33 Συρμάτινη βούρτσα σχήματος τροχού
7 Βάση	20 Βέλος	34 Άνοιγμα εξόδου αέρα
8 Άτρακτος	21 Εγκοπή	35 Άνοιγμα εισόδου αέρα
9 Κάλυμμα κεφαλής	22 Εύκαμπτος δίσκος	
10 Περιβλήμα γραναζιού	23 Πλαστικό πέλαμα	
11 Προφυλακτικής τροχού	24 Παξιμάδι ασφάλισης τριψίματος	
12 Κιβώτιο έδρασης	25 Ελαστικό πέλαμα	
13 Μοχλός	26 Ένδειξη A	
	27 Ένδειξη B	

ΤΕΧΝΙΚΑ ΧΑΡΑΚΤΗΡΙΣΤΙΚΑ

Μοντέλο	SA5040C
Διάμετρος δίσκου λείανσης	125 χιλ
Διάμετρος τροχού	115 χιλ ή 125 χιλ (Ανάλογα με τον προαιρετικό προφυλακτήρα τροχού)
Μέγιστο πάχος τροχού	6,4 χιλ
Σπείρωμα ατράκτου	M14
Ονομαστική ταχύτητα (n) / Ταχύτητα χωρίς φορτίο (n ₀)	7.800 λεπ ⁻¹
Συνολικό μήκος	315 χιλ
Καθαρό βάρος	2,2 Χγρ
Κατηγορία ασφάλειας	▣/II

- Λόγω του συνεχιζόμενου προγράμματος έρευνας και ανάπτυξης, οι παρούσες προδιαγραφές υπόκεινται σε αλλαγή χωρίς προειδοποίηση.
- Τα τεχνικά χαρακτηριστικά μπορεί να διαφέρουν από χώρα σε χώρα.
- Βάρος σύμφωνα με διαδικασία ΕΡΤΑ 01/2003

GEA010-1

Γενικές προειδοποιήσεις ασφαλείας για το ηλεκτρικό εργαλείο

⚠ ΠΡΟΕΙΔΟΠΟΙΗΣΗ Διαβάστε όλες τις προειδοποιήσεις ασφαλείας και όλες τις οδηγίες. Η μη τήρηση των προειδοποιήσεων και οδηγιών ενδέχεται να καταλήξει σε ηλεκτροπληξία, πυρκαγιά ή/και σοβαρό τραυματισμό.

Φυλάξτε όλες τις προειδοποιήσεις και τις οδηγίες για μελλοντική παραπομπή.

GEB097-3

Προοριζόμενη χρήση

Το εργαλείο προορίζεται για τη λείανση, τρίψιμο και κοπές μεταλλικών και πέτρινων υλικών χωρίς τη χρήση νερού. Για λείανση και κοπή, πρέπει να στερεωθούν οι σωστοί προφυλακτικές τροχών.

ENE094-1

ENF002-2

Ρευματοδότηση

Το μηχάνημα πρέπει να συνδέεται μόνο σε παροχή ρεύματος της ίδιας τάσης με αυτή που αναφέρεται στην πινακίδα κατασκευαστού και μπορεί να λειτουργήσει μόνο με εναλλασσόμενο μονοφασικό ρεύμα. Τα μηχανήματα αυτά έχουν διπλή μόνωση και κατά συνέπεια, μπορούν να συνδεθούν σε ακροδέκτες χωρίς σύρμα γείωσης.

ΛΕΙΑΝΤΗΣ/ΛΕΙΑΝΤΗΡΑΣ — ΠΡΟΕΙΔΟΠΟΙΗΣΕΙΣ ΑΣΦΑΛΕΙΑΣ

Προειδοποιήσεις ασφαλείας, κοινές για εργασίες λείανσης, γυαλοχαρτίσματος, καθαρισμού με συρματόβουρτσα ή κοπής:

1. Αυτό το ηλεκτρικό εργαλείο προορίζεται για χρήση ως εργαλείο λείανσης, γυαλοχαρτίσματος, καθαρισμού με συρματόβουρτσα ή κοπής. Διαβάστε όλες τις προειδοποιήσεις ασφαλείας, οδηγίες, εικονογραφήσεις και προδιαγραφές που παρέχονται με αυτό το ηλεκτρικό εργαλείο. Αμέλεια να ακολουθήσετε όλες τις οδηγίες που αναγράφονται παρακάτω μπορεί να έχει ως αποτέλεσμα ηλεκτροπληξία, φωτιά ή/και προσωπικό τραυματισμό.

2. Δεν συνιστάται η εκτέλεση εργασιών στίλβωσης με αυτό το ηλεκτρικό εργαλείο. Λειτουργίες για τις οποίες το ηλεκτρικό αυτό εργαλείο δεν έχει σχεδιαστεί μπορεί να δημιουργήσουν κίνδυνο και να προκαλέσουν προσωπικό τραυματισμό.
 3. **Μη χρησιμοποιείτε εξαρτήματα που δεν είναι ειδικά σχεδιασμένα και συνιστώμενα από τον κατασκευαστή του εργαλείου.** Απλώς και μόνο επειδή το εξάρτημα μπορεί να προσαρτηθεί στο εργαλείο, αυτό δεν εξασφαλίζει ασφαλή λειτουργία.
 4. Η ονομαστική ταχύτητα του εξαρτήματος πρέπει να είναι τουλάχιστον ίση με την μέγιστη ταχύτητα που είναι σημειωμένη στο ηλεκτρικό εργαλείο. Εξαρτήματα που λειτουργούν ταχύτερα από την ονομαστική ταχύτητα τους μπορεί να σπασούν και να εκτοξευθούν.
 5. Η εξωτερική διάμετρος και το πάχος του εξαρτήματός σας πρέπει να είναι μέσα στα όρια ικανότητας του εργαλείου σας. Εξαρτήματα μη σωστός μεγέθους δεν μπορούν να προφυλαχθούν ή να ελεγχθούν επαρκώς.
 6. Η σπέρωση με σπείρωμα των εξαρτημάτων πρέπει να ταιριάζει με το σπείρωμα ατράκτου του λειαντήρα. Για εξαρτήματα στερεωμένα με φλάντζες, η οπή προσαρμογής του εξαρτήματος πρέπει να ταιριάζει με τη διάμετρο εντοπισμού της φλάντζας. Τα εξαρτήματα που δεν ταιριάζουν με το εξάρτημα στερέωσης του ηλεκτρικού εργαλείου θα παρουσιάσουν υποβαθμισμένη ζυγοστάθμιση, υπερβολικούς κραδασμούς και ενδεχομένως απώλεια ελέγχου.
 7. **Μη χρησιμοποιείτε εξάρτημα που έχει υποστεί βλάβη.** Πριν από κάθε χρήση, να εξετάζετε το εξάρτημα, όπως λειαντικούς τροχούς, για ρινίσματα και ρωγμές, τη βάση υποστήριξης για ρωγμές, ρήξη ή υπερβολική φθορά, τη συρματοβούρτσα για χαλαρά ή ραγισμένα σύρματα. Εάν το ηλεκτρικό εργαλείο ή το εξάρτημα πέσει κάτω, ελέγξτε το για ζημιές ή προσαρμόστε ένα καλό εξάρτημα. Μετά τον έλεγχο και την προσαρμογή ενός εξαρτήματος, απομακρυνθείτε εσείς και οι γύρω σας από το επίπεδο περιστροφής του εξαρτήματος και αφήστε σε λειτουργία το ηλεκτρικό εργαλείο σε μέγιστη ταχύτητα χωρίς φορτίο για ένα λεπτό. Εξαρτήματα με ζημιές θα διαλυθούν κατά τον χρόνο αυτής της δοκιμής.
 8. **Φοράτε προσωπικό προστατευτικό εξοπλισμό.** Ανάλογα με την εφαρμογή, χρησιμοποιείτε ασπίδα προσώπου, προστατευτικό ματιών ή γυαλιά ασφάλειας. Ανάλογα με την περίπτωση, φορέστε μάσκα σκόνης, ωασιπίδες, γάντια και ποδιά εργαστηρίου με ικανότητα σταμμάτιστος μικρών τεμαχιδίων. Η προστασία ματιών πρέπει να είναι σε θέση να σταματάει ιπτάμενα σωματίδια παραγόμενα από διάφορες λειτουργίες. Η μάσκα σκόνης ή αναπνευστήρας πρέπει να είναι ικανή να φιλτράρει σωματίδια παραγόμενα από τις λειτουργίες σας. Παρατεταμένη έκθεση σε θόρυβο υψηλής συχνότητας μπορεί να προκαλέσει απώλεια ακοής.
 9. **Κρατάτε τους γύρω σας σε μία ασφαλή απόσταση από τον χώρο εργασίας.** Οποιοσδήποτε εισερχόμενος στο χώρο εργασίας πρέπει να φορά ατομικό προστατευτικό εξοπλισμό. Τεμαχίδια από το αντικείμενο εργασίας ή από ένα σπασμένο εξάρτημα μπορεί να εκτιναχθούν μακριά και να προκαλέσουν τραυματισμό πέραν της άμεσης περιοχής εργασίας.
 10. **Κρατάτε το ηλεκτρικό εργαλείο μόνο από τις μονωμένες επιφάνειες κρατήματος, όταν εκτελείτε μία εργασία όπου το εξάρτημα κοπής μπορεί να έρθει σε επαφή με κρυμμένες καλωδιώσεις ή και με το δικό του καλώδιο.** Σε περίπτωση επαφής του εξαρτήματος κοπής με ηλεκτροφόρο καλώδιο, μπορεί τα εκτεθειμένα μεταλλικά εξαρτήματα του ηλεκτρικού εργαλείου να καταστούν τα ίδια ηλεκτροφόρα και να προκαλέσουν ηλεκτροπληξία στο χειριστή.
 11. **Κρατήστε το καλώδιο μακριά από το περιστρεφόμενο εξάρτημα.** Εάν χάσετε τον έλεγχο, το καλώδιο μπορεί να κοπεί ή να πιαστεί και το χέρι σας μπορεί να τραβηχθεί μέσα στο περιστρεφόμενο εξάρτημα.
 12. **Ποτέ μην τοποθετείτε το ηλεκτρικό εργαλείο κάτω μέχρι το εξάρτημα να έχει σταματήσει τελείως.** Το περιστρεφόμενο εξάρτημα μπορεί να πιάσει την επιφάνεια και να τραβήξει το ηλεκτρικό εργαλείο έξω από τον έλεγχο σας.
 13. **Μη χειρίζεστε το ηλεκτρικό εργαλείο ενώ το μεταφέρετε στο πλευρό σας.** Τυχαιά επαφή με το περιστρεφόμενο εξάρτημα μπορεί να προκαλέσει πιάσιμο στα ρούχα σας και να τραβήξει το εξάρτημα μέσα στο σώμα σας.
 14. **Καθαρίζετε τακτικά τις οπές αερισμού του ηλεκτρικού εργαλείου.** Ο ανεμιστήρας του κινητήρα θα ταβήξει την σκόνη μέσα στο περιβλήμα και υπερβολική συγκέντρωση ρινισμάτων μετ'άλλου μπορεί να προκαλέσει κίνδυνο ηλεκτροπληξίας.
 15. **Μη χειρίζεστε το ηλεκτρικό εργαλείο κοντά σε εύφλεκτα υλικά.** Σπινθήρες μπορεί να αναφλέξουν τα υλικά αυτά.
 16. **Μη χρησιμοποιείτε εξαρτήματα που χρειάζονται ψυκτικά υγρά.** Η χρήση νερού ή άλλων ψυκτικών υγρών μπορεί να προκαλέσουν ηλεκτροπληξία ή σοκ.
- Οπισθολάκτισμα και σχετικές προειδοποιήσεις**
Η ανάκρουση (οπισθολάκτισμα) είναι μία ξαφνική αντίδραση του εργαλείου λόγω σύσφιγξης ή σκάλωματος του περιστρεφόμενου τροχού, της βάσης υποστήριξης, της βούρτσας ή τυχόν άλλου εξαρτήματος. Η σύσφιξη ή το σκάλωμα προκαλεί ταχεία απώλεια ελέγχου του περιστρεφόμενου εξαρτήματος το οποίο στη συνέχεια υποχρεώνει το ανεξέλεγκτο ηλεκτρικό εργαλείο σε περιστροφή αντίθετη από εκείνη του εξαρτήματος στο σημείο εμπλοκής.
Για παράδειγμα, εάν ένας λειαντικός τροχός περιέλθει σε σύσφιξη ή σκάλωμα στο τεμάχιο εργασίας, η ακμή του τροχού που εισέρχεται στο σημείο σύσφιγξης ενδέχεται να σκάψει την επιφάνεια του υλικού προκαλώντας την αναπήδηση ή το κλότσημα του τροχού. Ο τροχός ενδέχεται να αναπηδήσει προς το μέρος του χειριστή ή αντίθετα να απομακρυνθεί από αυτόν, ανάλογα με τη φορά περιστροφής του τροχού στο σημείο σύσφιγξης. Υπό αυτές τις συνθήκες, οι τροχοί λείανσης ενδέχεται επίσης να υποστούν θραύση.

Το οπισθολάκτισμα είναι αποτέλεσμα κακής χρήσης του ηλεκτρικού εργαλείου ή/και εσφαλμένων χειρισμών ή συνθηκών και μπορεί να αποφευχθεί με τις κατάλληλες προφυλάξεις όπως δίδονται παρακάτω.

- a) **Κρατάτε σταθερά το ηλεκτρικό εργαλείο και τοποθετήστε το σώμα σας και τον βραχίονα έτσι ώστε να ανθίστανται στις δυνάμεις του οπισθολακτίσματος.** Πάντοτε χρησιμοποιείτε την βοηθητική λαβή, εάν παρέχεται για μέγιστο έλεγχο οπισθολακτίσματος ή αντίδρασης ροπής κατά το ξεκίνημα. Ο χειριστής μπορεί να ελέγχει τις αντιδράσεις ροπής ή δυνάμεις οπισθολακτίσματος, εάν έχουν ληφθεί οι κατάλληλες προφυλάξεις.
- b) **Ποτέ μη βάλετε το χέρι σας στο περιστρεφόμενο εξάρτημα.** Το εξάρτημα μπορεί να οπισθολακτίσει στο χέρι σας.
- c) **Μη τοποθετήσετε το σώμα σας στην περιοχή όπου το ηλεκτρικό εργαλείο θα κινηθεί εάν συμβεί οπισθολάκτισμα.** Το οπισθολάκτισμα θα οδηγήσει το εργαλείο σε διεύθυνση αντίθετη της κίνησης του τροχού στο σημείο εμπλοκής.
- d) **Χρησιμοποιείτε πολύ προσοχή όταν εργάζεστε σε γωνίες, αιχμηρές άκρες κλπ. Αποφεύγετε αναπήδησεις και εμπλοκές του εξαρτήματος.** Γωνίες, αιχμηρές άκρες ή αναπήδησεις έχουν την τάση να προκαλούν εμπλοκή στο περιστρεφόμενο εξάρτημα και προκαλούν απώλεια ελέγχου και οπισθολάκτισμα.
- e) **Μην προσαρμόζετε αλυσίδα αλυσοπριονίου λάμα για ξυλογλυπτική ή λάμα πριονιού με δόντια.** Τέτοιες λάμες προκαλούν συχνό οπισθολάκτισμα και απώλεια ελέγχου.

Προειδοποιήσεις ασφαλείας ειδικά για εργασίες λείανσης και κοπής:

- a) **Να χρησιμοποιείτε μόνον τύπους τροχών που συνιστώνται για χρήση με το δικό σας ηλεκτρικό εργαλείο και το συγκεκριμένο προφλακτίζα που έχει σχεδιαστεί για τον επιλεγμένο τροχό.** Η παροχή επαρκούς προστασίας από τροχούς για τους οποίους δεν έχει σχεδιαστεί το ηλεκτρικό εργαλείο, δεν είναι δυνατή και επομένως οι τροχοί δεν είναι ασφαλείς.
- b) **Η επιφάνεια λείανσης των τροχών με χαμηλωμένο κέντρο πρέπει να είναι στερεωμένη κάτω από το επίπεδο του προστατευτικού χείλους.** Ένας τροχός που δεν είναι στερεωμένος καλά ο οποίος προεξέχει μέσα από το επίπεδο του προστατευτικού χείλους δεν μπορεί να προστατευτεί επαρκώς.
- c) **Η προσαρμογή του προφλακτίζα στο ηλεκτρικό εργαλείο πρέπει να πραγματοποιείται με ασφάλεια και η τοποθέτηση του να παρέχει τη μέγιστη δυνατή προστασία, ώστε ελάχιστο τμήμα του τροχού να εκτίθεται προς το μέρος του χειριστή.** Ο προφλακτίζας διευκολύνει την προστασία του χειριστή από σπασμένα θραύσματα του τροχού, τυχαία επαφή με τον τροχό και σπινθήρες που μπορούν να προκαλέσουν την ανάφλεξη ρουχισμού.

- d) **Οι τροχοί πρέπει να χρησιμοποιούνται μόνο στις προβλεπόμενες εφαρμογές.** Για παράδειγμα: μη λειάνετε με την πλευρική επιφάνεια του τροχού κοπής. Οι τροχοί κοπής προορίζονται για περιφερειακή κοπή, η εφαρμογή πλευρικών δυνάμεων σε αυτούς τους τροχούς ενδέχεται να προκαλέσει τη θραύση τους.
- e) **Να χρησιμοποιείτε πάντα πέλματα (πατούρες) τροχών που δεν έχουν υποστεί βλάβη και είναι κατάλληλου μεγέθους και σχήματος για τον επιλεγμένο τροχό.** Τα κατάλληλα πέλματα (πατούρες) τροχών υποστηρίζουν τους τροχούς και μειώνουν επομένως την πιθανότητα θραύσης τους. Τα πέλματα των τροχών κοπής ενδέχεται να διαφέρουν από τα πέλματα των τροχών λείανσης.
- f) **Μη χρησιμοποιείτε φθαρμένους τροχούς από μεγαλύτερα ηλεκτρικά εργαλεία.** Ένας τροχός που προορίζεται για χρήση με ένα μεγαλύτερο ηλεκτρικό εργαλείο δεν είναι κατάλληλος για την υψηλότερη ταχύτητα ενός μικρότερου εργαλείου και ενδέχεται να υποστεί θραύση.

Επιπλέον προειδοποιήσεις ασφαλείας ειδικά για εργασίες κοπής:

- a) **Μην προκαλείτε “μάγκωμα” του τροχού κοπής ή μην ασκείτε υπερβολική πίεση. Μην επιχειρείτε να δημιουργήσετε τομή υπερβολικού βάθους.** Η άσκηση υπερβολικής δύναμης στον τροχό αυξάνει το φορτίο και τη δεκτικότητα σε συστολή ή εμπλοκή του τροχού εντός της τομής και την πιθανότητα ανάκρουσης (οπισθολάκτισμα) ή θραύσης του τροχού.
- b) **Μην ευθυγραμμίζετε το σώμα σας μπροστά ή πίσω από τον περιστρεφόμενο τροχό.** Όταν ο τροχός, στο σημείο εργασίας, κινείται απομακρυνόμενος από το σώμα σας, τυχόν ανάκρουση (οπισθολάκτισμα) ενδέχεται να κατευθύνει τον περιστρεφόμενο τροχό και το ηλεκτρικό εργαλείο προς το μέρος σας.
- c) **Σε περίπτωση εμπλοκής του τροχού ή διακοπής της εργασίας για τη δημιουργία τομής για οποιοδήποτε λόγο, απενεργοποιήστε το ηλεκτρικό εργαλείο και κρατήστε το ακίνητο, έως ότου ο τροχός ακινητοποιηθεί πλήρως. Μην επιχειρήσετε ποτέ να αφαιρέσετε τον τροχό κοπής από την τομή ενώ ο τροχός κινείται, διότι ενδέχεται να παρουσιαστεί ανάκρουση (οπισθολάκτισμα).** Ερευνηστε και λάβετε διορθωτικά μέτρα ώστε να εξαλειφθεί η αιτία εμπλοκής του τροχού.
- d) **Μην επαναλάβετε την εργασία κοπής στο τεμάχιο εργασίας. Αφήστε τον τροχό να αποκτήσει μέγιστη ταχύτητα και επανεισάγετε τον τροχό στην τομή με προσοχή.** Ο τροχός ενδέχεται να παρουσιάσει εμπλοκή, αναπήδηση ή ανάκρουση εάν ενεργοποιήσετε το ηλεκτρικό εργαλείο εντός του τεμαχίου εργασίας.

- e) Να στηρίζετε τα φατνώματα ή οποιοδήποτε υπερμέγεθες τεμάχιο εργασίας ώστε να ελαχιστοποιηθεί ο κίνδυνος σύσφιξης και ανάκρουσης (οπισθολάκτισμα) του τροχού. Τα μεγάλα τεμάχια εργασίας τείνουν να παρουσιάζουν κάμψη προς τα κάτω λόγω του βάρους τους. Πρέπει να τοποθετούνται υποστηρίγματα κάτω από το τεμάχιο εργασίας κοντά στη γραμμή κοπής και κοντά στο άκρο του τεμαχίου εργασίας σε αμφότερες τις πλευρές του τροχού.
- f) Να είστε ιδιαίτερα προσεκτικοί όταν δημιουργείτε μία “τομή-κοιλότητα” σε υπάρχοντες τοίχους ή άλλες τυφλές περιοχές. Ο προεξέχων τροχός ενδέχεται να κόψει σωλήνες αερίου ή ύδρευσης, ηλεκτρικές καλωδιώσεις ή αντικείμενα που μπορούν να προκαλέσουν ανάκρουση (οπισθολάκτισμα).

Προειδοποιήσεις ασφαλείας ειδικά για εργασίες γυαλοχαρτίσματος:

- a) Μη χρησιμοποιείτε υπερβολικά μεγαλύτερο μέγεθος δίσκου γυαλοχαρτίσματος. Ακολουθήστε τις συστάσεις του κατασκευαστή, όταν επιλέγετε γυαλόχαρτο. Ένα γυαλόχαρτο μεγαλύτερου μεγέθους που εκτείνεται πέρα από τα άκρα της βάσης υποστήριξης γυαλοχαρτίσματος εγκυμονεί κίνδυνο τεμαχισμού και ενδέχεται να προκαλέσει σκάλωμα, σχίσμο του δίσκου ή ανάκρουση (οπισθολάκτισμα).

Προειδοποιήσεις ασφαλείας ειδικά για εργασίες καθαρισμού με συρματόβουρτσα:

- a) Να είστε προσεκτικοί διότι συρματινές τρίχες εκτινάσσονται από τη βούρτσα ακόμη και κάτω από συνήθεις συνθήκες λειτουργίας. Μην ασκείτε υπερβολική δύναμη στα σύρματα εφαρμόζοντας υπερβολικό φορτίο στη βούρτσα. Οι συρματινές τρίχες μπορούν να διαπεράσουν ελαφρό ρουχισμό ή/και το δέρμα με ευκολία.
- b) Εάν συνιστάται η χρήση προφυλακτήρα για εργασίες καθαρισμού με συρματόβουρτσα, μην επιτρέπετε παρεμπόδιση της λειτουργίας του συρματινού τροχού ή της βούρτσας από τον προφυλακτήρα. Η διάμετρος ενός συρματινού τροχού ή βούρτσας ενδέχεται να αυξηθεί λόγω του φόρτου εργασίας και της φυγοκέντρου δύναμης.

Επιπλέον προειδοποιήσεις ασφαλείας:

17. Όταν χρησιμοποιείτε τροχούς λείανσης με χαμηλό κέντρο, φροντίστε οι τροχοί να φέρουν ενίσχυση από ίνες γυαλιού μόνο.
18. Μην ΧΡΗΣΙΜΟΠΟΙΕΙΤΕ ΠΟΤΕ κωδωνοειδείς τροχούς λείανσης πέτρας με αυτόν τον λειαντήρα. Αυτός ο λειαντήρας δεν έχει σχεδιαστεί για αυτούς τους τύπους τροχών και η χρήση ενός τέτοιου προϊόντος ενδέχεται να προκαλέσει σοβαρό τραυματισμό.
19. Προσέξτε ώστε να μην προκαλέσετε βλάβη στον άξονα μετάδοσης της κίνησης, στο πέλμα (πατούρα) (ιδιαίτερα στην επιφάνεια εγκατάστασης) ή στο ασφαλιστικό περικόχλιο. Τυχόν βλάβη στα συγκεκριμένα μέρη θα μπορούσε να καταλήξει σε θραύση του τροχού.

20. Φροντίστε ο τροχός να μην έρχεται σε επαφή με το τεμάχιο εργασίας πριν από την ενεργοποίηση του διακόπτη.
21. Πριν από τη χρήση του τροχού πάνω σε πραγματικό τεμάχιο εργασίας, αφήστε τον σε λειτουργία για μικρό χρονικό διάστημα. Παρατηρήστε εάν υπάρχουν δονήσεις ή ταλάντευση που υποδηλώνουν κακή εγκατάσταση ή τροχό με κακή ισορροπία.
22. Χρησιμοποιήστε την προκαθορισμένη επιφάνεια του τροχού για να εκτελέσετε την εργασία λείανσης.
23. Μην αφήνετε το εργαλείο αναμμένο. Χειρίζεστε το εργαλείο μόνο όταν το κρατάτε στο χέρι.
24. Μην αγγίζετε το τεμάχιο εργασίας αμέσως μετά τη λειτουργία. Μπορεί να είναι υπερβολικά καυτό και να προκαλέσει έγκαυμα.
25. Μελετήστε τις οδηγίες του κατασκευαστή για σωστή τοποθέτηση και χρήση των τροχών. Χειριστείτε και αποθηκεύστε τους τροχούς με φροντίδα.
26. Μη χρησιμοποιείτε ξεχωριστές συστολές ή προσαρμογείς για να προσαρμόσετε τροχούς με μεγάλη οπή προσαρμογής σε άξονα.
27. Χρησιμοποιείτε φλάντζες κατάλληλες για το εργαλείο.
28. Για εργαλεία στα οποία πρόκειται να τοποθετηθεί τροχός με οπή με σπείρωμα, σιγουρευτείτε ότι το σπείρωμα στον τροχό έχει επαρκές μήκος για να δεχτεί το μήκος της άξονα.
29. Ελέγξτε ότι το μηχανήμα υποστηρίζεται σταθερά.
30. Προσέξτε ότι ο τροχός συνεχίζει να περιστρέφεται ακόμη και αφού το μηχανήμα έχει σβήσει.
31. Εάν το μέρος εργασίας είναι πολύ ζεστό και υγρό, ή υπάρχει πολύ αγωγήμη σκόνη, χρησιμοποιείτε ένα ασφαλειοδιακόπτη βραχυκυκλώματος (30 mA) για να είστε σίγουροι για ασφαλή λειτουργία.
32. Μη χρησιμοποιείτε το μηχανήμα σε κανένα υλικό που περιέχει άσβεστο.
33. Όταν χρησιμοποιείτε τροχό κοπής, πάντοτε εργάζεστε με προφυλακτήρα τροχού συλλογής σκόνης όπως απαιτείται από τους τοπικούς κανονισμούς.
34. Οι δίσκοι κοπής δεν πρέπει να υπόκεινται σε πλευρική πίεση.
35. Μη χρησιμοποιείτε υφασμάτινα γάντια εργασίας κατά τη λειτουργία. Οι ίνες από τα υφασμάτινα γάντια μπορεί να εισέλθουν στο εργαλείο, γεγονός που προκαλεί το σπάσιμο του εργαλείου.

ΦΥΛΑΞΤΕ ΑΥΤΕΣ ΤΙΣ ΟΔΗΓΙΕΣ.

⚠ ΠΡΟΕΙΔΟΠΟΙΗΣΗ:

ΜΗΝ επιτρέπετε το βαθμό άνεσης ή εξοικείωσης με το προϊόν (λόγω επανειλημμένης χρήσης) να αντικαταστήσει την αυστηρή τήρηση των κανόνων ασφαλείας του παρόντος εργαλείου. ΚΑΚΗ ΧΡΗΣΗ ή αμέλεια να ακολουθήσετε τους κανόνες ασφαλείας που διατυπώνονται σ'αυτό το εγχειρίδιο οδηγιών μπορεί να προκαλέσει σοβαρό προσωπικό τραυματισμό.

ΠΕΡΙΓΡΑΦΗ ΛΕΙΤΟΥΡΓΙΑΣ

⚠ ΠΡΟΣΟΧΗ:

- Πάντοτε βεβαιώνετε ότι το εργαλείο είναι σβηστό και αποσυνδεδεμένο από το ρεύμα πριν ρυθμίσετε ή ελέγξετε κάποια λειτουργία στο εργαλείο.

Εξάρτημα κλειδώματος άξονα (Εικ. 1)

⚠ ΠΡΟΣΟΧΗ:

- Ποτέ μην ενεργοποιείτε το εξάρτημα κλειδώματος άξονα όταν κινείται η άτρακτος. Μπορεί να προκληθεί βλάβη στο εργαλείο.

Πιέστε το εξάρτημα κλειδώματος άξονα για να εμποδίσετε την περιστροφή της άτρακτου όταν τοποθετείτε ή αφαιρείτε εξαρτήματα.

Λειτουργία διακόπτη (Εικ. 2)

⚠ ΠΡΟΣΟΧΗ:

- Πριν συνδέσετε το εργαλείο στο ρεύμα, πάντα να ελέγχετε να δείτε ότι ο κυλιόμενος διακόπτης ενεργοποιείται κανονικά και επιστρέφει στη θέση "OFF" όταν αφήνετε το πίσω μέρος του κυλιόμενου διακόπτη.
- Ο διακόπτης μπορεί να ασφαλιστεί στη θέση "ON" προς διευκόλυνση του χειριστή στη διάρκεια παρατεταμένης χρήσης. Να είστε προσεκτικοί όταν ασφαλίσετε το εργαλείο στη θέση "ON" και να κρατάτε το εργαλείο σταθερά.

Για να ξεκινήσει το εργαλείο, ολισθήστε το κυλιόμενο διακόπτη προς τη θέση "I (ON)" πιέζοντας το πίσω μέρος του κυλιόμενου διακόπτη. Για συνεχή λειτουργία, πιέστε το μπροστινό μέρος του κυλιόμενου διακόπτη για να τον ασφαλίσετε.

Για να σταματήσει το εργαλείο, πιέστε το πίσω μέρος του κυλιόμενου διακόπτη και κατόπιν ολισθήστε τον στη θέση "O (OFF)".

Ενδεικτική λυχνία (Εικ. 3)

Όταν το εργαλείο είναι συνδεδεμένο, ανάβει η ενδεικτική λυχνία με πράσινο χρώμα. Αν δεν ανάψει η ενδεικτική λυχνία, μπορεί να είναι ελαττωματικό το ηλεκτρικό καλώδιο ή ο ελεγκτής. Αν η ενδεικτική λυχνία είναι αναμμένη, αλλά το εργαλείο δεν ξεκινάει, ακόμα και αν είναι ενεργοποιημένο, μπορεί να έχουν φθαρεί τα καρβουνάκια ή να είναι ελαττωματικός ο ελεγκτής, το μοτέρ ή ο διακόπτης ON/OFF.

Προστασία από αθέλητη επανεκκίνηση

Το εργαλείο δεν ξεκινάει όταν ο διακόπτης είναι κλειδωμένος ακόμη και όταν το εργαλείο είναι συνδεδεμένο.

Αυτή τη στιγμή, η ενδεικτική λυχνία αναβοσβήνει με κόκκινο χρώμα και δείχνει ότι η διάταξη προστασίας από αθέλητη επανεκκίνηση είναι ενεργοποιημένη.

Για να ακυρώσετε την προστασία αθέλητης επανεκκίνησης, επιστρέψτε το κυλιόμενο διακόπτη στη θέση "O (OFF)".

Επιλογέας ρύθμισης ταχύτητας (Εικ. 4)

Μπορείτε να αλλάξετε την ταχύτητα περιστροφής αν περιστρέψετε τον επιλογέα ρύθμισης ταχύτητας σε μια αριθμητική ρύθμιση από 1 έως 5.

Λαμβάνεται υψηλότερη ταχύτητα όταν ο επιλογέας περιστρέφεται προς την κατεύθυνση του αριθμού 5. Και επιτυγχάνεται χαμηλότερη ταχύτητα όταν ο επιλογέας περιστρέφεται προς την κατεύθυνση του αριθμού 1.

Ανατρέξτε στον παρακάτω πίνακα για τη σχέση μεταξύ των αριθμητικών ρυθμίσεων στον επιλογέα και την κατά προσέγγιση ταχύτητα περιστροφής.

Αριθμός	λεπ ⁻¹ (Σ.Α.Λ.)
1	2.000
2	3.000
3	4.000
4	5.500
5	7.800

012757

⚠ ΠΡΟΣΟΧΗ:

- Αν χρησιμοποιείτε το εργαλείο συνεχόμενα σε χαμηλές ταχύτητες και για μεγάλο χρονικό διάστημα, το μοτέρ θα υπερφορτωθεί και θα υπερθερμανθεί.
- Ο επιλογέας ρύθμισης ταχύτητας μπορεί να περιστραφεί μόνο μέχρι το 5 και ξανά στο 1. Μην το ξαναγκάσετε μετά το 5 ή το 1, διαφορετικά η ρύθμιση ταχύτητας δεν θα λειτουργεί.

Ηλεκτρονική λειτουργία

Τα εργαλεία που είναι εξοπλισμένα με ηλεκτρονική λειτουργία είναι εύκολα στη χρήση λόγω των ακόλουθων χαρακτηριστικών.

Έλεγχος σταθερής ταχύτητας

Ο έλεγχος σταθερής ταχύτητας παρέχει λεπτομερή τελείωμα διατηρώντας σταθερή την ταχύτητα περιστροφής υπό συνθήκες φορτίου.

Χαρακτηριστικό ομαλής έναρξης

Το χαρακτηριστικό ομαλής έναρξης καταστάλλει την φωνή έναρξης.

Προστατευτικό υπερφόρτωσης

Όταν το φορτίο στο εργαλείο υπερβαίνει τα επιτρεπτά όρια, μειώνεται η ισχύς στο μοτέρ για να προστατευτεί το μοτέρ από υπερθέρμανση. Όταν το φορτίο επιστρέψει στα επιτρεπτά όρια, το εργαλείο λειτουργεί κανονικά.

ΣΥΝΑΡΜΟΛΟΓΗΣΗ

⚠ ΠΡΟΣΟΧΗ:

- Πάντοτε βεβαιώνετε ότι το εργαλείο είναι σβηστό και αποσυνδεδεμένο από το ρεύμα πριν εκτελέσετε οποιαδήποτε εργασία στο εργαλείο.

Τοποθέτηση πλάγιας λαβής (Λαβή) (Εικ. 5 και 6)

⚠ ΠΡΟΣΟΧΗ:

- Πριν από τη λειτουργία, πάντοτε να βεβαιώνετε ότι η πλάγια λαβή έχει τοποθετηθεί με ασφάλεια.

Αφαιρέστε μία από τις βίδες που ασφαλίζει το κάλυμμα κεφαλής. Μετά, βιδώστε την πλάγια λαβή στην οπή βίδας.

Τοποθέτηση βάσης και δίσκου λείανσης (Εικ. 7 και 8)

Αφαιρέστε όλη τη βρομιά ή την ξένη ύλη από την κεφαλή. Βιδώστε τη βάση στην άτρακτο πατώντας το κλειδίωμα άξονα.

Προσαρτήστε το δίσκο λείανσης στο κέντρο της βάσης. Προσέχετε ώστε να τοποθετήσετε τη βάση εντός του άκρου του δίσκου λείανσης.

Για να αφαιρέσετε το δίσκο λείανσης, αποκολλήστε το άκρο του από τη βάση.

ΟΤΑΝ ΧΡΗΣΙΜΟΠΟΙΕΙΤΑΙ ΩΣ ΤΡΟΧΟΣ (Εικ. 9, 10 και 11)

Όταν χρησιμοποιείτε το εργαλείο ως τροχό, αφαιρέστε το κάλυμμα κεφαλής και τοποθετήστε την πλάγια λαβή και προαιρετικό προφυλακτήρα τροχού.

Χαλαρώστε τις βίδες και αφαιρέστε το κάλυμμα κεφαλής.

Βιδώστε την πλάγια λαβή με ασφάλεια στη θέση του εργαλείου όπως απεικονίζεται στην εικόνα.

⚠️ ΠΡΟΣΟΧΗ:

- Πριν από τη λειτουργία, πάντοτε να βεβαιώνετε ότι η πλάγια λαβή έχει τοποθετηθεί με ασφάλεια.

Τοποθέτηση ή αφαίρεση του προφυλακτήρα τροχού (Για τροχό χαμηλωμένου κέντρου, δίσκο λείανσης, εύκαμπτο τροχό, συρμάτινη βούρτσα σχήματος τροχού / τροχό λείανσης κοπής, διαμαντοτροχό) (προαιρετικό εξάρτημα) (Εικ. 12, 13 και 14)

⚠️ ΠΡΟΕΙΔΟΠΟΙΗΣΗ:

- Όταν χρησιμοποιείτε τροχό χαμηλωμένου κέντρου, δίσκο λείανσης, εύκαμπτο τροχό ή συρμάτινη βούρτσα σχήματος τροχού, ο προφυλακτήρας τροχού πρέπει να τοποθετηθεί στο εργαλείο ώστε η κλειστή πλευρά του προφυλακτήρα να είναι πάντα στραμμένη προς τον χειριστή.
- Όταν χρησιμοποιείτε τροχό κοπής/διαμαντοτροχό λείανσης, φροντίστε να χρησιμοποιείτε μόνο τον ειδικό προφυλακτήρα τροχού που έχει σχεδιαστεί για χρήση με τροχούς κοπής. (Σε μερικές ευρωπαϊκές χώρες, όταν χρησιμοποιείται διαμαντοτροχός, μπορεί να χρησιμοποιηθεί ο συνηθισμένος προφυλακτήρας. Τηρήστε τους κανονισμούς στη χώρα σας).

Για εργαλείο με προφυλακτήρα τροχού τύπου κοχλία ασφάλισης

Τοποθετήστε τον προφυλακτήρα τροχού με τις προεξοχές στη ζώνη του προφυλακτήρα τροχού ευθυγραμμισμένη με τις εγκοπές στο κιβώτιο έδρασης. Στη συνέχεια, περιστρέψτε τον προφυλακτήρα τροχού κατά 180 μοίρες αριστερόστροφα. Φροντίστε να σφίξετε ασφαλώς τη βίδα.

Για να αφαιρέσετε τον προφυλακτήρα τροχού, ακολουθήστε τη διαδικασία εγκατάστασης με αντίστροφη σειρά.

Για εργαλείο με προφυλακτήρα τροχού τύπου μοχλό σύσφιξης

Τραβήξτε το μοχλό προς την κατεύθυνση του βέλους αφού χαλαρώσετε τη βίδα. Τοποθετήστε τον προφυλακτήρα τροχού με τις προεξοχές στη ζώνη του προφυλακτήρα τροχού ευθυγραμμισμένη με τις εγκοπές στο κιβώτιο έδρασης. Στη συνέχεια, περιστρέψτε τον προφυλακτήρα τροχού κατά 180 μοίρες.

Σφίξτε τον προφυλακτήρα τροχού στερεώνοντας τη βίδα αφού τραβήξετε το μοχλό προς την κατεύθυνση του βέλους. Η γωνία ρύθμισης του προφυλακτήρα τροχού μπορεί να ρυθμιστεί με το μοχλό.

Για να αφαιρέσετε τον προφυλακτήρα τροχού, ακολουθήστε τη διαδικασία εγκατάστασης με αντίστροφη σειρά.

Τοποθέτηση ή αφαίρεση τροχού χαμηλωμένου κέντρου ή δίσκου λείανσης (προαιρετικό εξάρτημα) (Εικ. 15 και 16)

⚠️ ΠΡΟΕΙΔΟΠΟΙΗΣΗ:

- Όταν χρησιμοποιείτε τροχό χαμηλωμένου κέντρου ή δίσκο λείανσης, ο προφυλακτήρας τροχού πρέπει να τοποθετηθεί στο εργαλείο ώστε η κλειστή πλευρά του προφυλακτήρα να είναι πάντα στραμμένη προς τον χειριστή.

Στερεώστε την εσωτερική φλάντζα πάνω στην άτρακτο. Εφαρμόστε τον τροχό/δίσκο στην εσωτερική φλάντζα και βιδώστε το παξιμάδι ασφάλισης πάνω στην άτρακτο.

Για να σφίξετε το παξιμάδι ασφάλισης, πατήστε την ασφάλιση άτρακτου σταθερά έτσι ώστε να μην μπορεί να περιστραφεί η άτρακτος, μετά χρησιμοποιήστε το κλειδί παξιμαδιού ασφάλισης του παξιμαδιού ασφάλισης δεξιόστροφα.

Για να αφαιρέσετε τον τροχό, ακολουθήστε τη διαδικασία τοποθέτησης με αντίστροφη σειρά.

Υπερφλάντζα (προαιρετικό εξάρτημα)

Μοντέλα με το γράμμα F είναι εξοπλισμένα με τυπική υπερφλάντζα. Απαιτείται μόνο το 1/3 της προσπάθειας για την απασφάλιση του παξιμαδιού ασφάλισης συγκριτικά με τον συμβατικό τύπο.

⚠️ ΠΡΟΣΟΧΗ:

- Μην χρησιμοποιείτε υπερφλάντζα για μοντέλα εξοπλισμένα με το μηχανικό φρένο. Διαφορετικά μπορεί να χαλαρώσει όταν ενεργοποιηθεί το φρένο.

Τοποθέτηση ή αφαίρεση του Ezynut (προαιρετικό εξάρτημα) (Εικ. 17, 18, 19 και 20)

⚠️ ΠΡΟΣΟΧΗ:

- Μη χρησιμοποιείτε Ezynut με υπερφλάντζα ή με γωνιακό τροχό με το γράμμα "F" στο τέλος του αρ. μοντέλου. Αυτές οι φλάντζες είναι τόσο παχιές που η άτρακτος δεν μπορεί να συγκρατήσει ολόκληρο το σπείρωμα.

Στερεώστε την εσωτερική φλάντζα, το λειαντικό τροχό και το Ezynut στην άτρακτο ώστε ο λογότυπος της Makita στο Ezynut να είναι στραμμένος προς τα έξω.

Πιέστε σταθερά το εξάρτημα κλειδώματος άξονα και σφίξτε το Ezynut περιστρέφοντας το λειαντικό τροχό δεξιόστροφα μέχρι τέρμα.

Περιστρέψτε το εξωτερικό δακτύλιο του Ezynut αριστερόστροφα για να το χαλαρώσετε.

ΠΑΡΑΤΗΡΗΣΗ:

- Μπορείτε να χαλαρώσετε το Ezynut με το χέρι αρκεί το βέλος να είναι στραμμένο προς την εγκοπή. Διαφορετικά απαιτείται κλειδί παξιμαδιού ασφάλισης για να το χαλαρώσετε. Εισάγετε τον έναν πείρο του κλειδιού στην οπή και περιστρέψτε το Ezynut αριστερόστροφα.

Τοποθέτηση ή αφαίρεση εύκαμπτου τροχού (προαιρετικό εξάρτημα) (Εικ. 21)

⚠️ ΠΡΟΕΙΔΟΠΟΙΗΣΗ:

- Να χρησιμοποιείτε πάντα τον παρεχόμενο προφυλακτήρα όταν ο εύκαμπος τροχός βρίσκεται στο εργαλείο. Ο τροχός ενδέχεται να υποστεί θραύση κατά τη χρήση και ο προφυλακτήρας διευκολύνει στη μείωση των πιθανοτήτων πρόκλησης τραυματισμού.

Να ακολουθείτε τις οδηγίες για τον τροχό χαμηλωμένου κέντρου αλλά να χρησιμοποιείτε και το πλαστικό πέλμα επάνω από τον τροχό. Δείτε τη σειρά συναρμολόγησης στη σελίδα των εξαρτημάτων του παρόντος εγχειριδίου.

Τοποθέτηση ή αφαίρεση λειαντικού δίσκου (προαιρετικό εξάρτημα) (Εικ. 22)

ΠΑΡΑΤΗΡΗΣΗ:

- Να χρησιμοποιείτε τα εξαρτήματα εργαλείου λείανσης που καθορίζονται στο παρόν εγχειρίδιο. Αυτά πρέπει να αγοράζονται ξεχωριστά.

Στερεώστε το ελαστικό πέλμα πάνω στην άτρακτο. Τοποθετήστε το δίσκο επάνω στο ελαστικό πέλμα και βιδώστε το παξιμάδι ασφάλισης τριψίματος πάνω στην άτρακτο. Για να σφίξετε το παξιμάδι ασφάλισης τριψίματος, πατήστε το εξάρτημα κλειδώματος άξονα σταθερά έτσι ώστε να μην μπορεί να περιστραφεί η άτρακτος, μετά χρησιμοποιήστε το κλειδί παξιμαδιού ασφάλισης και σφίξτε με ασφάλεια δεξιόστροφα.

Για να αφαιρέσετε το δίσκο, ακολουθήστε τη διαδικασία τοποθέτησης με αντίστροφη σειρά.

Τοποθέτηση ή αφαίρεση του εξαρτήματος καλύμματος σκόνης (προαιρετικό εξάρτημα) (Εικ. 23)

⚠️ ΠΡΟΕΙΔΟΠΟΙΗΣΗ:

- Πάντοτε να βεβαιώνετε ότι το εργαλείο είναι σβηστό και αποσυνδεδεμένο πριν τοποθετήσετε ή αφαιρέσετε το εξάρτημα καλύμματος σκόνης. Αν δεν το κάνετε αυτό θα προκληθεί βλάβη στο εργαλείο ή προσωπικός τραυματισμός.

Υπάρχουν τέσσερα κομμάτια του εξαρτήματος καλύμματος σκόνης και κάθε ένα χρησιμοποιείται σε μία διαφορετική θέση.

Ρυθμίστε το εξάρτημα καλύμματος σκόνης ώστε η ένδειξη (Α, Β, C ή D) να τοποθετηθεί όπως απεικονίζεται. Ασφαλίζει τους πείρους στα ανοίγματα.

Το εξάρτημα καλύμματος σκόνης μπορεί να αφαιρεθεί με το χέρι.

ΠΑΡΑΤΗΡΗΣΗ:

- Καθαρίστε το εξάρτημα καλύμματος σκόνης όταν είναι φραγμένο με σκόνη ή ξένα υλικά. Η συνεχή λειτουργία με φραγμένο εξάρτημα καλύμματος σκόνης θα προκαλέσει βλάβη στο εργαλείο.

ΛΕΙΤΟΥΡΓΙΑ

⚠️ ΠΡΟΕΙΔΟΠΟΙΗΣΗ:

- Δεν θα πρέπει ποτέ να εξασκείτε υπερβολική δύναμη στο εργαλείο. Το βάρος του εργαλείου εφαρμόζει αρκετή πίεση. Ο εξαναγκασμός και η υπερβολική πίεση μπορεί να προκαλέσουν επικίνδυνο σπάσιμο του τροχού.
- ΠΑΝΤΟΤΕ να αντικαθιστάτε τον τροχό αν το εργαλείο πέσει κάτω κατά τη λείανση.
- ΠΟΤΕ μη χτυπάτε το δίσκο λείανσης ή τον τροχό επάνω στο τεμάχιο εργασίας.
- Αποφύγετε τις αναπηδήσεις και σιμπήματα του τροχού, ιδιαίτερα όταν εργάζεστε πάνω σε γωνίες, αιχμηρές άκρες κλπ. Αυτά μπορεί να προκαλέσουν απώλεια ελέγχου και τίναγμα προς τα πίσω.
- ΠΟΤΕ μη χρησιμοποιείτε το εργαλείο με λάμες κοπής ξύλου και λάμες άλλου είδους. Τέτοιες λάμες όταν χρησιμοποιούνται συχνά στον λειαντή προκαλούν απώλεια ελέγχου από τα τίναγματα και οδηγούν σε προσωπικό τραυματισμό.

⚠️ ΠΡΟΣΟΧΗ:

- Ποτέ μη θέτετε το εργαλείο σε λειτουργία όταν βρίσκεται σε επαφή με το τεμάχιο εργασίας επειδή μπορεί να προκληθεί τραυματισμός του χειριστή.
- Κατά τη διάρκεια της λειτουργίας, να φοράτε πάντοτε προστατευτικά γυαλιά ή προσωπίδα.
- Μετά τη λειτουργία, πάντοτε να σβήνετε το εργαλείο και να περιμένετε μέχρι ο τροχός να σταματήσει τελείως πριν αφήσετε κάτω το εργαλείο.

Λειτουργία λείανσης και τριψίματος (Εικ. 24)

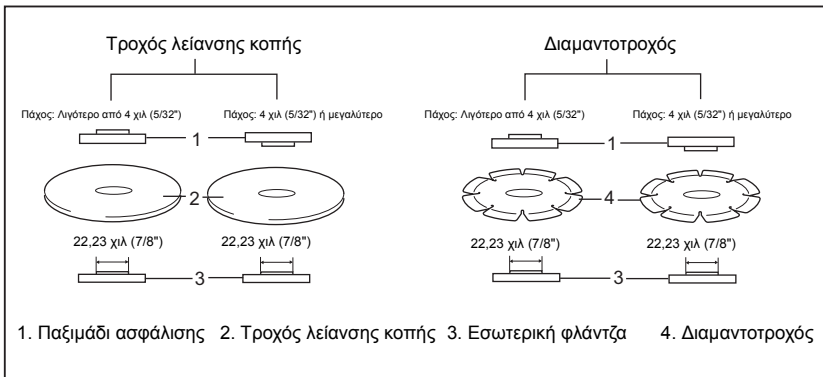
ΠΑΝΤΟΤΕ να κρατάτε το εργαλείο σταθερά με το ένα χέρι στο περίβλημα και με το άλλο χέρι στην πλευρική λαβή. Μην αγγίζετε τα μεταλλικά μέρη. Θέστε το εργαλείο σε λειτουργία και μετά εφαρμόστε τον τροχό ή το δίσκο στο τεμάχιο εργασίας.

Σε γενικές γραμμές, να κρατάτε την άκρη του τροχού ή του δίσκου σε γωνία περίπου 15 μοιρών ως προς την επιφάνεια του αντικειμένου εργασίας.

Κατά τη διάρκεια της περιόδου στρωσίματος ενός καινούργιου τροχού, μη χειρίζεστε τον λειαντή προς την κατεύθυνση Β επειδή θα προκαλέσει κοπή του αντικειμένου εργασίας. Μόλις στογγυλοποιηθεί η άκρη του τροχού από τη χρήση, ο τροχός μπορεί να χρησιμοποιηθεί και προς τις δύο κατευθύνσεις Α και Β.

Λειτουργία με τροχό λείανσης κοπής / διαμαντοτροχό (προαιρετικό εξάρτημα) (Εικ. 25)

Η κατεύθυνση στερέωσης του παξιμαδιού ασφάλισης και της σωτηρικής φλάντζας διαφέρει ανάλογα με το πάχος τροχού.



011644

⚠️ ΠΡΟΕΙΔΟΠΟΙΗΣΗ:

- Όταν χρησιμοποιείτε τροχό κοπής/διαμαντοτροχό λείανσης, φροντίστε να χρησιμοποιείτε μόνο τον ειδικό προφυλακτήρα τροχού που έχει σχεδιαστεί για χρήση με τροχούς κοπής. (Σε μερικές ευρωπαϊκές χώρες, όταν χρησιμοποιείται διαμαντοτροχός, μπορεί να χρησιμοποιηθεί ο συνηθισμένος προφυλακτήρας. Τηρήστε τους κανονισμούς στη χώρα σας.)
- Μην χρησιμοποιείτε ΠΟΤΕ τροχό κοπής για πλευρική λείανση.
- Μην προκαλείτε “μάγκωμα” του τροχού και μην ασκείτε υπερβολική πίεση. Μην επιχειρείτε να δημιουργήσετε τομή υπερβολικού βάθους. Η άσκηση υπερβολικής δύναμης στον τροχό αυξάνει το φορτίο και τη δεκτικότητα σε συστροφή ή εμπλοκή του τροχού εντός της κοπής και την πιθανότητα ανάκρουσης (οπισθολάκτισμα) ή θραύσης του τροχού όπως και υπερθέρμανσης του κινητήρα.
- Μην αρχίσετε την εργασία κοπής στο τεμάχιο εργασίας. Περιμένετε έως ότου ο τροχός αποκτήσει πλήρη ταχύτητα και φροντίστε για την εισαγωγή του με προσοχή στο εσωτερικό της κοπής μετακινώντας το εργαλείο προς τα εμπρός πάνω στην επιφάνεια του τεμαχίου εργασίας. Ο τροχός ενδέχεται να παρουσιάσει εμπλοκή, αναπήδηση ή ανάκρουση αν ενεργοποιήσετε το ηλεκτρικό εργαλείο ενώ βρίσκεται εντός του τεμαχίου εργασίας.
- Στη διάρκεια των εργασιών κοπής, μην αλλάζετε ποτέ τη γωνία του τροχού. Αν ασκήσετε πλευρική πίεση στον τροχό κοπής (όπως στη λείανση), θα προκληθεί ράγισμα και θραύση του τροχού, με αποτέλεσμα σοβαρό τραυματισμό.
- Απαιτείται χειρισμός ενός διαμαντοτροχού κάθετα προς το υλικό που πρόκειται να κοπεί.

Λειτουργία με συρμάτινη βούρτσα σχήματος κούπας (προαιρετικό εξάρτημα) (Εικ. 26)

⚠️ ΠΡΟΣΟΧΗ:

- Ελέγξτε τη λειτουργία της βούρτσας θέτοντας το εργαλείο σε λειτουργία χωρίς φορτίο, φροντίζοντας να μην υπάρχει κανένας μπροστά ή σε ευθεία γραμμή με τη βούρτσα.

- Μην χρησιμοποιείτε βούρτσα η οποία έχει υποστεί ζημιά ή η οποία δεν είναι κατάλληλα ζυγοσταθμισμένη. Η χρήση βούρτσας που έχει υποστεί ζημιά θα μπορούσε να αυξήσει τον κίνδυνο τραυματισμού λόγω επαφής με κομμένα τεμάχια συρμάτων της βούρτσας.

Αποσυνδέστε το εργαλείο και τοποθετήστε το ανάποδα ώστε να διευκολυνθείτε στην πρόσβαση της άτρακτου. Αφαιρέστε οποιαδήποτε εξαρτήματα από την άτρακτο. Τοποθετήστε τη συρμάτινη βούρτσα σχήματος κούπας στην άτρακτο και σφίξτε με το παρεχόμενο κλειδί. Όταν χρησιμοποιείτε βούρτσα, φροντίστε να μην ασκείτε πολύ μεγάλη πίεση η οποία προκαλεί υπερβολικό λύγισμα των συρμάτων και πρόωρη θραύση.

Λειτουργία με συρμάτινη βούρτσα σχήματος τροχού (προαιρετικό εξάρτημα) (Εικ. 27)

⚠️ ΠΡΟΣΟΧΗ:

- Ελέγξτε τη λειτουργία της συρμάτινης βούρτσας σχήματος τροχού θέτοντας το εργαλείο σε λειτουργία χωρίς φορτίο, φροντίζοντας να μην υπάρχει κανένας μπροστά ή σε ευθεία γραμμή με τη βούρτσα.
- Μην χρησιμοποιείτε συρμάτινη βούρτσα σχήματος τροχού η οποία έχει υποστεί ζημιά ή η οποία δεν είναι κατάλληλα ζυγοσταθμισμένη. Η χρήση συρμάτινης βούρτσας σχήματος τροχού που έχει υποστεί ζημιά θα μπορούσε να αυξήσει τον κίνδυνο τραυματισμού λόγω επαφής με κομμένα τεμάχια συρμάτων.
- Να χρησιμοποιείτε ΠΑΝΤΑ προφυλακτήρα με τις συρμάτινες βούρτσες σχήματος τροχού, φροντίζοντας ώστε η διάμετρος του τροχού να επιτρέπει την εφαρμογή του μέσα στον προφυλακτήρα. Ο τροχός ενδέχεται να υποστεί θραύση κατά τη χρήση και ο προφυλακτήρας διευκολύνει στη μείωση των πιθανοτήτων πρόκλησης τραυματισμού.

Αποσυνδέστε το εργαλείο και τοποθετήστε το ανάποδα ώστε να διευκολυνθείτε στην πρόσβαση της άτρακτου. Αφαιρέστε οποιαδήποτε εξαρτήματα από την άτρακτο. Τοποθετήστε τη συρμάτινη βούρτσα σχήματος τροχού στην άτρακτο και σφίξτε με τα κλειδιά.

Όταν χρησιμοποιείτε συρμάτινη βούρτσα σχήματος τροχού, φροντίστε να μην ασκείτε πολύ μεγάλη πίεση η οποία προκαλεί υπερβολικό λύγισμα των συρμάτων και πρόωρη θραύση.

ΣΥΝΤΗΡΗΣΗ

ΠΡΟΣΟΧΗ:

- Πάντοτε βεβαιώνετε ότι το εργαλείο είναι σβηστό και αποσυνδεδεμένο από το ρεύμα πριν επιχειρήσετε να εκτελέσετε επιθεώρηση ή συντήρηση.
- Μην χρησιμοποιείτε ποτέ βενζίνη, πετρελαϊκό αιθέρα, διαλυτικό, αλκοόλη ή παρόμοιες ουσίες. Ενδέχεται να προκληθεί αποχρωματισμός παραμόρφωση ή ρωγμές.

Το εργαλείο και τα ανοίγματα εξαερισμού του πρέπει να διατηρούνται καθαρά. Να καθαρίζετε τακτικά τα ανοίγματα εξαερισμού του εργαλείου ή όταν αρχίσουν να φράσσονται. **(Εικ. 28)**

Για να διατηρήσετε την ΑΣΦΑΛΕΙΑ και ΑΞΙΟΠΙΣΤΙΑ του προϊόντος, επισκευές, έλεγχος και αντικατάσταση των ψηκτρών άνθρακα, καθώς και οποιαδήποτε άλλη συντήρηση ή ρύθμιση πρέπει να εκτελούνται από Κέντρα Εξυπηρέτησης Εργοστασίου ή από Εξουσιοδοτημένα από την Makita Κέντρα, πάντοτε χρησιμοποιώντας ανταλλακτικά της Makita.

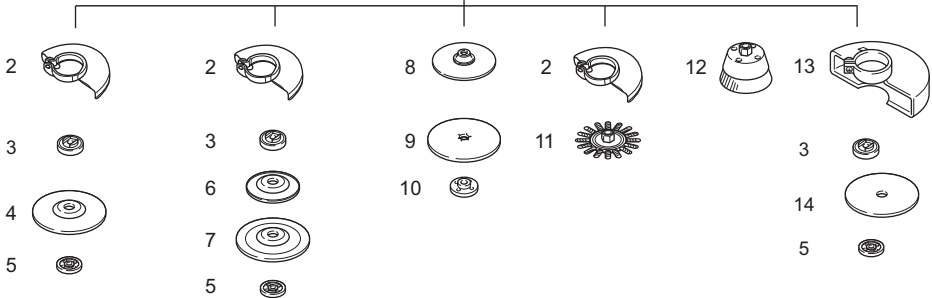
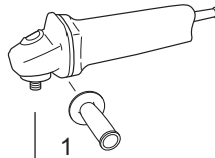
ΠΡΟΑΙΡΕΤΙΚΑ ΕΞΑΡΤΗΜΑΤΑ

ΠΡΟΣΟΧΗ:

- Αυτά τα ανταλλακτικά ή προσαρτήματα συνιστώνται για χρήση με το εργαλείο σας της Makita που περιγράφεται στο εγχειρίδιο αυτό. Η χρήση οτιδήποτε άλλων ανταλλακτικών ή προσαρτημάτων μπορεί να παρουσιάσουν κίνδυνο τραυματισμού σε άτομα. Χρησιμοποιήστε ανταλλακτικά ή προσαρτήματα μόνο για τον καθορισμένο σκοπό.

Εάν χρειάζεστε βοήθεια ή περισσότερες λεπτομέρειες σε σχέση με αυτά τα ανταλλακτικά, ρωτήστε το τοπικό σας Κέντρο Εξυπηρέτησης της Makita.

- Δίσκος λείανσης
- Εξάρτημα καλύμματος σκόνης



	Μοντέλο 115 χιλ (4-1/2")	Μοντέλο 125 χιλ (5")
1	Λαβή 36	
2	Προφυλακτήρας τροχού (για τροχό λείανσης)	
3	Εσωτερική φλάντζα 42 Υπερφλάντζα 47 *1	
4	Τροχός χαμηλωμένου κέντρου/Δίσκος λείανσης	
5	Παξιμάδι ασφάλισης 14-45 Ezyput *2	
6	Πλαστικό πέλαμα	
7	Εύκαμπτος δίσκος	
8	Ελαστικό πέλαμα 100	Ελαστικό πέλαμα 115
9	Δίσκος λείανσης	
10	Παξιμάδι ασφάλισης τριψίματος 14-48	
11	Συρμάτινη βούρτσα σχήματος τροχού	
12	Συρμάτινη βούρτσα σχήματος κούπας	
13	Προφυλακτήρας τροχού (για τροχό κοπής) *3	
14	Τροχός λείανσης κοπής/Διαμαντοτροχός	
-	Κλειδί παξιμαδιού ασφάλισης 35	

Παρατήρηση:

*1 Μην χρησιμοποιείτε υπερφλάντζα με λειαντή εξοπλισμένο με λειτουργία φρένου.

*2 Μην χρησιμοποιείτε υπερφλάντζα και Ezyput μαζί.

*3 Σε μερικές ευρωπαϊκές χώρες, όταν χρησιμοποιείται διαμαντοτροχός, μπορεί να χρησιμοποιηθεί ο συνηθισμένος προφυλακτήρας αντί για τον ειδικό προφυλακτήρα που καλύπτει και τις δύο πλευρές του τροχού. Τηρήστε τους κανονισμούς στη χώρα σας.

012987

ΠΑΡΑΤΗΡΗΣΗ:

• Μερικά στοιχεία στη λίστα μπορεί να συμπεριλαμβάνονται στη συσκευασία εργαλείου ως σπάνια εξαρτήματα. Μπορεί να διαφέρουν ανάλογα με τη χώρα.

Θορύβος

Το τυπικό Α επίπεδο μετρημένου θορύβου καθορίζεται σύμφωνα με το EN60745:

Στάθμη πίεσης ήχου (L_{pA}): 84 dB (A)

Στάθμη δύναμης ήχου (L_{WA}): 95 dB (A)

Αβεβαιότητα (K): 3 dB (A)

Φοράτε ωτοασπίδες

ENG900-1

Κραδασμός

Η ολική τιμή δόνησης (άθροισμα τρι-αξονικού διανύσματος) καθορίζεται σύμφωνα με το EN60745:

Είδος εργασίας: τρίψιμο δίσκου με αντικραδασμική πλευρική λαβή

Εκπομπή δόνησης ($a_{h, D3}$): 2,5 m/s² ή λιγότερο

Αβεβαιότητα (K): 1,5 m/s²

Είδος εργασίας: τρίψιμο δίσκου με κανονική πλευρική λαβή

Εκπομπή δόνησης ($a_{h, D3}$): 2,5 m/s² ή λιγότερο

Αβεβαιότητα (K): 1,5 m/s²

Είδος εργασίας: λείανση επιφανειών με αντικραδασμική πλευρική λαβή

Εκπομπή δόνησης ($a_{h, AG}$): 4,0 m/s²

Αβεβαιότητα (K): 1,5 m/s²

Είδος εργασίας: λείανση επιφανειών με κανονική πλευρική λαβή

Εκπομπή δόνησης ($a_{h, AG}$): 5,0 m/s²

Αβεβαιότητα (K): 1,5 m/s²

ENG902-1

- Η δηλωμένη τιμή εκπομπής κραδασμών έχει μετρηθεί σύμφωνα με την πρότυπη μέθοδο δοκιμής και μπορεί να χρησιμοποιηθεί για τη σύγκριση ενός εργαλείου με άλλο.
- Η δηλωμένη τιμή εκπομπής κραδασμών μπορεί να χρησιμοποιηθεί και στην προκαταρκτική αξιολόγηση έκθεσης.
- Η δηλωμένη τιμή εκπομπής κραδασμών χρησιμοποιείται για κύριες εφαρμογές του ηλεκτρικού εργαλείου. Ωστόσο, αν το ηλεκτρικό εργαλείο χρησιμοποιείται για άλλες εφαρμογές, η τιμή εκπομπής κραδασμών ενδέχεται να είναι διαφορετική.

⚠ ΠΡΟΕΙΔΟΠΟΙΗΣΗ:

- Η εκπομπή κραδασμών κατά τη χρήση του ηλεκτρικού εργαλείου σε πραγματικές συνθήκες μπορεί να διαφέρει από τη δηλωμένη τιμή εκπομπής ανάλογα με τον τρόπο χρήσης του εργαλείου.
- Φροντίστε να λάβετε τα κατάλληλα μέτρα προστασίας του χειριστή βάσει υπολογισμού της έκθεσης σε πραγματικές συνθήκες χρήσης (λαμβάνοντας υπόψη όλες τις συνιστώσες του κύκλου λειτουργίας όπως τους χρόνους που το εργαλείο είναι εκτός λειτουργίας και όταν βρίσκεται σε αδρανή λειτουργία πέραν του χρόνου ενεργοποίησης).

Μόνο για χώρες της Ευρώπης**Δήλωση Συμμόρφωσης ΕΚ**

H Makita δηλώνει ότι τα ακόλουθα μηχανήματα:

Χαρακτηρισμός μηχανήματος:

Γωνιακός λειαντής

Αρ. μοντέλου/ Τύπος: SA5040C

Συμμορφώνονται με τις ακόλουθες Ευρωπαϊκές Οδηγίες:

2006/42/EK

Κατασκευάζονται σύμφωνα με τα ακόλουθα πρότυπα ή έγγραφα τυποποίησης:

EN60745

Το αρχείο τεχνικών στοιχείων, σύμφωνα με την Οδηγία 2006/42/EK, διατίθεται από:

Makita, Jan-Baptist Vinkstraat 2, 3070, Βέλγιο

1.2.2016



Yasushi Fukaya

Διευθυντής

Makita, Jan-Baptist Vinkstraat 2, 3070, Βέλγιο

Genel görünüşün açıklanması

1 Şaft kilidi	13 Leveye	26 A İşareti
2 Sürgülü anahtar	14 Kilit somunu	27 B İşareti
3 Gösterge lambası (hız ayar kadranı)	15 Merkezden basmalı disk	28 C İşareti
4 Hız ayar kadranı	16 İç flanş	29 D İşareti
5 Vida	17 Kilit somunu anahtarı	30 Aşındırıcı kesme diski/elmas disk
6 Aşındırıcı disk	18 Ezynut	31 Aşındırıcı kesme diski/elmas disk için disk siperi
7 Ped	19 Zımpara diski	32 Tel tas fırça
8 Mil	20 Ok	33 Tel disk fırça
9 Koruyucu kapak	21 Çentik	34 Hava çıkma deliği
10 Vida yuvası	22 Fleks disk	35 Hava alma deliği
11 Disk siperi	23 Lastik altlık	
12 Yatak mahfazası	24 Zımpara kilit somunu	
	25 Kauçuk altlık	

ÖZELLİKLER

Model	SA5040C
Zımpara diski çapı	125 mm
Disk çapı	115 mm veya 125 mm (İsteğe bağlı disk siperine göre değişir)
Maks. disk kalınlığı	6,4 mm
Mil dişi	M14
Normal hız (n) / Yüksüz hız (n ₀)	7.800 dak ⁻¹
Toplam uzunluk	315 mm
Net ağırlık	2,2 kg
Emniyet sınıfı	II/II

GEB097-3

- Sürekli yapılan araştırma ve geliştirmelerden dolayı, burada belirtilen özellikler önceden bildirilmeksizin değiştirilebilir.
- Özellikler ülkeden ülkeye değişebilir.
- EPTA-Prosedürü 01/2003 uyarınca ağırlık

ENE094-1

Kullanım amacı

Bu alet, metal ve taş malzemelerin susuz olarak taşlanması, zımparalanması ve kesilmesi amacıyla kullanılır. Taşlama ve kesme için doğru disk siperleri takılmalıdır.

ENF002-2

Güç kaynağı

Makinanın, yalnızca isim leghasında belirtilenle aynı voltajlı güç kaynağına bağlanması gerekir ve yalnızca tek fazlı AC güç kaynağıyla çalıştırılabilir. Çift yalıtımlıdır ve dolayısıyla topraklamasız prizlerle de kullanılabilir.

GEA010-1

Genel Elektrikli Alet Güvenliği

⚠ UYARI! Tüm güvenlik uyarılarını ve tüm talimatları okuyun. Uyarılara ve talimatlara uyulmaması elektrik şoku, yangın ve/veya ciddi yaralanmalar ile sonuçlanabilir.

Tüm uyarıları ve talimatları ilerde başvurmak için saklayın.

ZIMPARA/TAŞLAMA MAKİNESİ İLE İLGİLİ GÜVENLİK UYARILARI

Taşlama, Zımparalama, Tel Fırça veya Aşındırıcı Kesme İşlemleri İçin Ortak Güvenlik Uyarıları:

1. **Bu elektrikli aletin bir taşlama, zımparalama, tel fırça veya kesme aleti olarak kullanılması amaçlanmıştır. Bu elektrikli aletle birlikte verilen tüm güvenlik uyarılarını, talimatları, resimli açıklamaları ve özellik tablolarını okuyun.** Aşağıda listelenen talimatların herhangi birine uyulmaması elektrik şoku, yangın ve/veya ciddi yaralanmalar ile sonuçlanabilir.
2. **Bu elektrikli aletle parlatma gibi işlemlerin yapılması tavsiye edilmez.** Bu elektrikli aletin tasarım amacına uygun olmayan işlemler tehlike oluşturabilir ve yaralanmaya neden olabilir.
3. **Aletin imalatçısı tarafından özel olarak tasarlanmamış ve tavsiye edilmeyen aksesuarları kullanmayın.** Bir aksesuarın yalnızca elektrikli aletinize takılabiliyor olması, onun güvenli çalışacağını garanti etmez.
4. **Aksesuarın anma hızı en azından elektrikli aletin üstünde belirtilen maksimum hızla eşit olmalıdır.** Anma hızlarından daha hızlı çalışan aksesuarlar kırılabilir ve fırlatabilirler.
5. **Aksesuarınızın dış çapı ve kalınlığı elektrikli aletinizin kapasite derecelendirmesi dahilinde olmalıdır.** Doğru boyutta olmayan aksesuarlar yeterince korunamayabilir ve kontrol edilemeyebilirler.

6. **Aksesuarların dişli montaj parçaları taşlama makinesinin mil dişine tam olarak uymalıdır. Flaş yardımcıyla takılan aksesuarlar için, aksesuarın mil delikleri flaşın yerleştirme çapına uygun olmalıdır.** Elektrikli aletin monte edildiği kısıma uymayan aksesuarlar dengesi döner, aşırı titreşim yapar ve kontrolden çıkabilirler.
7. **Hasarlı bir aksesuarı kullanmayın. Her kullanımdan önce aksesuarlarda, örneğin taşlama taşlarında yonga veya çatlak, taban disklerinde çatlak, kopma veya aşırı aşınma, tel fırçalarda gevşek veya kırık tel muayenesi yapın. Eğer elektrikli alet veya aksesuar düşürülürse, hasar muayenesi yapın ve hasarsız aksesuar takın. Bir aksesuarı muayene ettikten ve taktıktan sonra, kendinizi ve civardaki insanları döner aksesuarın düzleminde uzak tutun ve elektrikli aleti bir dakika kadar maksimum yüksüz hızda çalıştırın.** Bu test çalıştırması sırasında normal olarak hasarlı aksesuarlar koparlar.
8. **Kişisel koruyucu donanım kullanın. Uygulamaya bağlı olarak yüz siperleri veya güvenlik gözlükleri kullanın. Uygun görüldüğü şekilde toz maskesi, kulak koruyucuları, eldiven ve taşlama taşlarından veya iş parçasından kopan küçük parçalardan sizi koruyabilecek iş önlüğü takın.** Göz koruyucular çeşitli işlemlerin üreteceği uçan kırıntıları durdurabilecek nitelikte olmalıdır. Toz maskesi veya solunum cihazı yaptığınız işlemin üreteceği küçük parçacıkları süzebilecek nitelikte olmalıdır. Uzun süre yüksek yoğunlukta gürültüye maruz kalmak işitme kaybına neden olabilir.
9. **Civarda bulunanları çalışma alanından güvenli bir uzaklıkta tutun. Çalışma alanına giren herkes kişisel koruyucu donanım kullanılmalıdır.** Kırılan bir aksesuarın veya iş parçasının kırıkları uzağa fırlayıp, çalışma yerinin ötesinde yaralanmalara neden olabilir.
10. **Kesici aksesuarın görünmeyen kabloları ya da aletin kendi kordonuna temas etme olasılığı bulunan yerlerde çalışırken elektrikli aleti sadece yalıtımlı kavrama yüzeyinden tutun.** Kesici aksesuarın "akımlı" bir telle temas etmesi elektrikli aletin yalıtımsız metal kısımlarını "akımlı" hale getirebilir ve kullanıcıyı elektrik şokuna maruz bırakabilir.
11. **Kordonu döner aksesuardan uzakta tutun.** Eğer kontrolü kaybederseniz, kordon kesilebilir veya takılabilir ve eliniz ya da kolunuz döner aksesuara çkelebilir.
12. **Aksesuar tamamen durmadan önce elektrikli aleti kesinlikle yere koymayın.** Döner aksesuar yere sürütünüp, elektrikli aletin kontrolünüz dışında fırlamasına neden olabilir.
13. **Elektrikli aleti yanınızda taşırken çalıştırmayın.** Giysilerinizin kazayla döner aksesuara temas etmesi aksesuarı vücudunuza çekebilir.
14. **Elektrikli aletin havalandırma deliklerini düzenli olarak temizleyin.** Motorun fanı tozu gövdenin içine çeker ve aşırı toz metal birikimi elektrik tehlikelerine neden olabilir.
15. **Elektrikli aleti tutuşabilen malzemelerin yakınında kullanmayın.** Kivılcıklar bu malzemeleri tutuşturabilir.

16. **Sıvı soğutucu gerektiren aksesuarlar kullanmayın.** Su veya diğer sıvı soğutucuların kullanılması elektrik çarpmasına veya şokuna neden olabilir.

Geri Tepme ve İlgili Uyarılar

Geri tepme sıkışan veya takılan bir taşlama taşına, taban diskinde, fırçaya veya başka bir aksesuara verilen ani bir tepkidir. Sıkışma veya takılma döner aksesuarın aniden durmasına ve bu da elektrikli aletin tutukluk noktasında aksesuarın dönme yönünün tersi doğrultuda kontrolsüz şekilde itilmesine neden olur.

Örneğin, eğer bir taşlama taşı iş parçasına takılır veya sıkışır, sıkışma noktasına giren taşın kenarı malzeme yüzeyine batarak, taşın dışarı tırmanmasına veya tepmesine neden olabilir. Taşlama taşı, sıkışma noktasında taşın hareket yönüne bağlı olarak operatöre veya ondan uzağa doğru sıçrayabilir. Bu koşullarda taşlama taşları kırılabilir de.

Geri tepme elektrikli aletin yanlış kullanılmasının ve/veya yanlış kullanım usulleri veya koşullarının bir sonucudur ve aşağıda belirtildiği gibi doğru önlemlerle önlenir:

- a) **Elektrikli aleti daima sıkıca kavrayın ve vücudunuzun ve kolunuzun duruşunu geri tepme kuvvetlerine direnç gösterecek şekilde ayarlayın. İlk çalıştırma sırasında geri tepme veya tork etkisi üzerinde maksimum kontrol sağlamak için, eğer varsa, daima yardımcı sapı kullanın.** Eğer doğru önlemler alınır, operatör tork etkilerini veya geri tepme kuvvetlerini kontrol edebilir.
- b) **Elinizi kesinlikle döner aksesuarın yakınına koymayın.** Aksesuar elinizin üstüne doğru geri tepebilir.
- c) **Vücudunuzu geri tepme halinde elektrikli aletin fırlayacağı alanda bulundurmayın.** Geri tepme aleti takılma noktasında taşın hareketinin tersi yönde iter.
- d) **Köşelerde, keskin kenarlarda, vb. çalışırken özel dikkat gösterin.** Aksesuarın zıplamasından ve takılmasından kaçının. Köşelerde, keskin kenarlarda veya zıplama halinde döner aksesuarın takılma eğilimi vardır ve kontrol kaybına ve geri tepmeye neden olur.
- e) **Bir zincir testere, oyma bıçağı veya dişli testere bıçağı takmayın.** Bu bıçaklar sıkça geri tepme ve kontrol kaybı yaratır.

Taşlama ve Aşındırarak Kesme İşlemlerine Özgü Güvenlik Uyarıları:

- a) **Sadece elektrikli aletiniz için tavsiye edilen taşlama taşlarını ve seçilen taş için özel olarak tasarlanmış siperi kullanın.** Elektrikli aletin tasarımına uygun olmayan taşlar yeterli şekilde koruma altına alınmayabilir ve güvenlidir.
- b) **Merkezden basmalı disklerin taşlama yüzeyi, koruyucu kapak çarkı düzleminin altına monte edilmelidir.** Koruyucu kapak çarkının üzerine doğru çıkıntı yapacak şekilde hatalı monte edilmiş bir taşlama diski yeterli ölçüde kapatılamaz.
- c) **Siper elektrikli alete sıkı şekilde takılı olmalı ve taşın operatöre doğru açıkta kalan kısmı en az olacak şekilde maksimum güvenlik için konumlandırılmalıdır.** Siper, operatörün kırılan taş parçalarından, kazayla diske temas etmeden ve giysileri tutuşturabilecek kıvılcıklardan korunmasına yardımcı olur.

- d) **Taşlama taşları sadece tavsiye edilen uygulamalarda kullanılmalıdır. Örneğin: Kesme taşının yan tarafıyla taşlama yapmayın.** Aşındırarak kesme taşları çevresel aşındırmaya yöneliktir, bu taşlara etki eden yan kuvvetler parçalanmalarına neden olabilir.
- e) **Daima taşınız için doğru boyut ve şekilde hasarsız flanşlar kullanın.** Doğru flanşlar taşı destekleyerek, taş kırılması olasılığını azaltır. Kesme taşlarının flanşları taşlama taşlarının flanşlarından farklı olabilir.
- f) **Daha büyük elektrikli aletlerin aşınarak küçülmüş taşlarını kullanmayın.** Daha büyük elektrikli aletler için tasarlanmış taşlar küçük aletlerin daha yüksek hızlarına uygun olmayabilirler ve parçalanabilirler.

Aşındırarak Kesme İşlemlerine Özgü Ek Güvenlik Uyarıları:

- a) **Kesme taşını “dürtmeyin” veya üstüne aşırı basınç uygulamayın. Aşırı derinlikte bir kesme yapmaya çalışmayın.** Taşın aşırı zorlanması yükü ve taşın kesik içinde bükülme veya takılma olasılığını artırarak, geri tepmeye veya taşın kırılmasına neden olabilir.
- b) **Vücudunuzu döner taşla aynı hizada ve taşın gerisinde tutmayın.** Taş, çalışma noktasında, vücudunuzdan uzağa doğru hareket ederken, olası bir geri tepme döner mili ve elektrikli aleti doğrudan doğruya size doğru fırlatabilir.
- c) **Taş takıldığı veya herhangi bir nedenle kesmeyi durdurduğu zaman, elektrikli aleti kapatın ve taş tamamen duruncaya kadar onu hareketsiz şekilde tutun. Kesme taşı dönerken onu kesinlikle keskin çıkarmaya çalışmayın aksi takdirde geri tepme oluşabilir.** Taşın takılma nedenini araştırıp, ortadan kaldırmak için düzeltici işlemleri yapın.
- d) **İş parçasında kesme işlemine yeniden başlamayın. Taşın tam hıza ulaşmasını bekleyin ve dikkatli şekilde tekrar kesişe geçirin.** Elektrikli alet iş parçası içinde tekrar çalıştırılırsa, taş takılabilir, yukarı tırmanabilir veya geri tepebilir.
- e) **Taşın takılması veya geri tepme riskini en aza indirmek için panelleri ve çok büyük iş parçalarını destekleyin.** Büyük iş parçaları kendi ağırlıkları altında bel vermeye meyillidirler. Destekler taşın her iki yanında kesme hattına ve iş parçasının kenarına yakın olarak, iş parçasının altına yerleştirilmelidirler.
- f) **Mevcut duvarların veya diğer kör alanların içine “oyuk kesme” yaparken daha fazla dikkat gösterin.** Fazla ileri giden taş gaz veya su borularını, elektrik kablolarını veya geri tepmeye neden olabilecek nesnelere kesebilir.

Zımparalama İşlemlerine Özgü Güvenlik Uyarıları:

- a) **Aşırı büyüklükte zımpara kağıdı diski kullanmayın. Zımpara kağıdı seçerken imalatçının tavsiyelerine uyun.** Zımpara taban diskini aşan büyüklükte zımpara kağıdı yırtılma riski oluşturur ve takılmaya, diskin kopmasına veya geri tepmeye neden olabilir.

Tel Fırça İşlemlerine Özgü Güvenlik Uyarıları:

- a) **Olağan işlemler sırasında bile fırçadan tellerin fırlayabileceği konusunda uyanık olun. Fırçaya aşırı yük uygulayarak telleri aşırı zorlamayın.** Teller kolaylıkla ince gıysilere ve/veya cilde bataabilirler.
- b) **Tel fırça işlemi için bir siper kullanılması tavsiye ediliyorsa, tel diskinin veya fırçanın siper tarafından engellenmemesini sağlayın.** Tel disk veya fırça iş yüküne veya merkezkaç kuvvetlerine bağlı olarak genişleyebilir.

Ek Güvenlik Uyarıları:

17. **Merkezden basmalı taşlama diskler kullanırsanız, mutlaka sadece fibreglas takviyeli diskler kullanın.**
18. **Bu taşlama makinesiyle Taş Çanak tipi diskleri KESİNLİKLE KULLANMAYIN.** Bu taşlama makinesi bu tip diskler için tasarlanmamıştır ve böyle bir ürün kullanılması ciddi yaralanmalara neden olabilir.
19. **Mile, flanşa (özellikle takma yüzeyine) veya kilit somununa zarar vermeye dikkat edin. Bu kısımların hasar görmesi diskin kırılması ile sonuçlanabilir.**
20. **Alet çalıştırılmadan önce diskin iş parçasına değmediğinden emin olun.**
21. **Aleti gerçek bir iş parçası üzerinde kullanmadan önce bir süre boşa çalıştırın. Taşın yanlış takılması veya dengesiz olduğunu gösteren titreme ya da yalpalamalara dikkat edin.**
22. **Taşlama yaparken diskin belirlenmiş yüzeyini kullanın.**
23. **Aleti çalışır durumda bırakmayın. Aleti sadece elinizde tutarken çalıştırın.**
24. **Çalışmadan hemen sonra iş parçasına dokunmayın; Çok sıcak olabilir ve cildinizi yakabilir.**
25. **Disklerin doğru monte edilmesi ve kullanılması için imalatçının talimatlarına uyun. Diskleri özenle aktarın ve saklayın.**
26. **Büyük delikli taşlama disklerini uydurmak için ayrı reduksiyon nipel ya da adaptör kullanmayın.**
27. **Sadece bu alet için belirtilen flanşları kullanın.**
28. **Deligi vida dişli disk takılacak istenen aletlerde bu diskin dişlerinin mil uzunluğuna kabul edecek kadar uzun olması gereklidir.**
29. **İş parçasının doğru desteklenip desteklenmediğini kontrol edin.**
30. **Diskin alet kapatıldıktan sonra dönmeye devam ettiğine dikkat edin.**
31. **Çalışma yeri aşırı sıcak ve nemliyse ya da çok fazla iletken toz kirliliği mevcutsa kullanıcının güvenliği için bir kısa devre kesicisi (30 mA) kullanın.**
32. **Bu aleti asbest içeren hiçbir malzeme üstünde kullanmayın.**
33. **Kesme diski kullandığınız zaman, daima yerel yönetmeliklerin gerektirdiği toz toplayıcı disk siperi ile çalışın.**
34. **Kesme diskleri yanal bir basınca maruz kalmamalıdır.**
35. **Çalışma sırasında kumaş iş eldivenleri kullanmayın. Kumaş eldivenlerin lifleri alete girebilir, bu da aletin bozulmasına neden olur.**

BU TALİMATLARI MUHAFAZA EDİNİZ.

⚠ UYARI:

Ürünü kullanırken (defalarca kullanınca kazanılan) rahatlık ve tanıdıklık duygusunun ilgili ürünün güvenlik kurallarına sıkı sıkıya bağlı kalmanın yerine geçmesine İZİN VERMEYİN. YANLIŞ KULLANIM veya bu kullanma kılavuzunda belirtilen emniyet kurallarına uymama ciddi yaralanmaya neden olabilir.

İŞLEVSEL AÇIKLAMALAR

⚠ DİKKAT:

- Alet üzerinde ayarlama ya da işleyiş kontrolü yapmadan önce aletin kapalı ve fişinin çekili olduğundan daima emin olun.

Şaft kilidi (Şek. 1)

⚠ DİKKAT:

- Mil hareket halindeyken shaft kilidini asla kullanmayın. Alet zarar görebilir.

Aksesuarları takarken veya çıkarırken milin dönmesine önlemek için shaft kilidine basın.

Anahtar işlemi (Şek. 2)

⚠ DİKKAT:

- Aleti fişe takmadan önce sürgülü anahtarın doğru çalıştığından ve sürgülü anahtarın arka kısmına basıldığına "OFF" (kapalı) konumuna döndüğünden emin olun.
- Uzun süreli kullanım sırasında kullanıcının rahatı için anahtar "ON" (açık) konumunda kilitlenebilir. Anahtar "ON" (açık) konumunda kilitleyken dikkatli olun ve aleti sıkı kavrayın.

Aleti başlatmak için, sürgülü anahtarı arka kısmından iterek "I (AÇIK)" konuma getirin. Sürekli kullanım için, sürgülü anahtarın ön kısmına basarak anahtarı kilitleyin. Aleti durdurmak için, sürgülü anahtarın arka kısmına basın ve "O (KAPALI)" konuma kaydırın.

Gösterge lambası (Şek. 3)

Alet fişe takıldığında gösterge lambası yeşil renkte yanar. Gösterge lambası yanmıyorsa, ana kablo veya kontrolör hasarlı olabilir. Gösterge lambası yanıyor fakat alet açık konumda olduğu halde çalışmaya başlamıyorsa; karbon fırçalar aşınmış ya da kontrolör, motor veya AÇMA/KAPAMA anahtarı hasarlı olabilir.

İstenmeyen yeniden başlatma koruması

Fiş takılı olsa da anahtar kilitleti konumda olduğunda alet çalışmaya başlamaz.

Bu sırada gösterge lambası kırmızı renkte yanıp sönerek istenmeyen yeniden başlatma koruma aygıtının çalışmakta olduğunu gösterir.

İstenmeyen yeniden başlatma korumasını iptal etmek için, sürgülü anahtarı "O (KAPALI)" konuma getirin.

Hız ayar kadranı (Şek. 4)

Hız ayar kadranı 1 ile 5 arasında bir sayıya çevrilerek dönüş hızı değiştirilebilir.

Kadran 5 rakamına doğru çevrildiğinde daha yüksek hız elde edilir. Kadran 1 rakamına doğru çevrildiğinde ise daha düşük hız elde edilir.

Kadran üzerindeki rakamlar ve yaklaşık dönüş hızı arasındaki ilişki için aşağıdaki tabloya bakın.

Rakam	dak ⁻¹ (R.P.M.)
1	2.000
2	3.000
3	4.000
4	5.500
5	7.800

012757

⚠ DİKKAT:

- Alet uzun bir süre boyunca sürekli olarak düşük hızda çalıştırılırsa, motora aşırı yük biner ve motor ısınır.
- Hız ayar kadranını sadece 1 ile 5 rakamları arasında hareket ettirilebilir. Kadranı 5'in ilerisine ya da 1'in gerisine çevirmeye zorlamayın, aksi takdirde hız ayar işlevi çalışmayabilir.

Elektronik işlev

Elektronik işlevli aletlerin kullanımı aşağıda belirtilen özellikler nedeniyle daha kolaydır.

Sabit hız kontrolü

Sabit hız kontrolü, yüklü koşullarda dönüş hızını sabit tutarak daha iyi bir finiş sağlar.

Yumuşak başlatma özelliği

Yumuşak başlatma özelliği başlatma sırasında oluşan sarsıntıyı engeller.

Aşırı yük koruması

Alet üzerine binen yük kabul edilebilir seviyeleri aştığında, motoru aşırı ısınmadan korumak için motora verilen güç azaltılır. Yük, kabul edilebilir seviyelere geri döndüğünde alet normal bir şekilde çalışmaya devam eder.

MONTAJ

⚠ DİKKAT:

- Alet üzerinde herhangi bir iş yapmadan önce aletin kapalı ve fişinin çekili olduğundan daima emin olun.

Yan sapın (tutamağın) takılması (Şek. 5 ve 6)

⚠ DİKKAT:

- Çalışmaya başlamadan önce yan sapın yerine sağlam şekilde takılmış olduğundan daima emin olun.

Koruyucu kapağı sabitleyen vidalardan birini çıkarın. Ardından, yan kavrama kolunu vida deliğine vidalayın.

Ped ve aşındırıcı diskinin takılması (Şek. 7 ve 8)

Pedin üzerindeki tüm kiri ve yabancı maddeleri giderin. Şaft kilidine bastırarak pedi mile vidalayın.

Aşındırıcı diskini pedin ortasına takın. Pedin, aşındırıcı diskinin kenarlarının iç kısmına yerleştirilmesine dikkat edin.

Aşındırıcı diskini çıkarmak için kenarlarını pedden sıyrın.

TAŞLAMA MAKİNESİ OLARAK KULLANIRKEN (Şek. 9, 10 ve 11)

Alet, taşlama makinesi olarak kullanılırken, koruyucu kapağı çıkarın ve yan kavrama kolunu ve isteğe bağlı bir disk korumasını takın.

Vidaları gevşetin ve koruyucu kapağı çıkarın.

Yan sapı şekilde gösterildiği gibi alet üstündeki konumuna sıkıca vidalayın.

⚠ DİKKAT:

• Çalışmaya başlamadan önce yan sapın yerine sağlam şekilde takılmış olduğundan daima emin olun.

Disk siperinin takılması veya çıkarılması (Merkezden basmalı disk, flap disk, fleks disk, tel disk fırça / aşındırıcı kesme diski, elmas disk için) (isteğe bağlı aksesuar) (Şek. 12, 13 ve 14)

⚠ UYARI:

- Merkezden basmalı bir disk, flap disk, fleks disk veya tel disk fırça kullanılırken; disk siperi, siperin kapalı tarafının yönü daima kullanıcıya doğru bakacak şekilde takılmalıdır.
- Bir aşındırıcı kesme diski / elmas disk kullanıldığı zaman, sadece kesme diskleriyle kullanılmak için belirlenmiş özel disk siperini kullandığınızdan emin olun. (Bazı Avrupa ülkelerinde, elmas disk kullanılırken normal siper kullanılabilir. Ülkenizdeki yönetmeliklere uygun davranın.)

Kilit vidası tipi disk siperli alet için

Disk siperini bant üstündeki çıkıntı yatak mahfazası üstündeki çentikle aynı hizada olacak şekilde monte edin. Sonra disk siperini saat yönünün tersine 180° döndürün. Vidayı iyice sıkıştırdığınızdan emin olun.

Disk siperini çıkarmak için, takma işlemlerini tersinden uygulayın.

Kıskaç kolu tipi disk siperli alet için

Vidayı gevşettikten sonra levveyi ok yönünde döndürün. Disk siperini bant üstündeki çıkıntı yatak mahfazası üstündeki çentikle aynı hizada olacak şekilde monte edin. Sonra disk siperini saat yönünün tersine 180° döndürün.

Levveyi ok yönünde çektikten sonra vidayı sıkarak disk siperini sabitleyin. Disk siperinin açılı ayarı levye ile yapılabilir. Disk siperini çıkarmak için, takma işlemlerini tersinden uygulayın.

Merkezden basmalı diskin veya flap diskin takılması veya çıkarılması (isteğe bağlı aksesuar) (Şek. 15 ve 16)

⚠ UYARI:

• Merkezden basmalı bir disk veya flap disk kullanırken, disk siperi, siperin kapalı tarafının yönü daima kullanıcıya doğru bakacak şekilde takılmalıdır.

İç flanşı mile takın. Diski iç flanşın üstüne takın ve kilit somununu çıkıntısı aşağı (diske doğru) bakacak şekilde vidalayın.

Kilit somununu sıkarak için, milin dönmemesi sağlayacak şekilde şaft kilidine kuvvetle bastırın, sonra kilit somunu anahtarını kullanarak saat yönünde iyice sıkın.

Diski çıkarmak için, takma işlemlerini tersinden uygulayın.

Süper flanş (isteğe bağlı aksesuar)

F harfli modellerde standart donanım olarak bir süper flanş bulunur. Kilit somununu açmak için klasik tipe oranla sadece 1/3 çaba gerekir.

⚠ DİKKAT:

• Mekanik frenle donatılmış modellerde süper flanş kullanmayın. Aksi takdirde, fren etkinleştirildiğinde süper flanş gevşeyebilir.

Ezynut'un takılması veya çıkarılması (isteğe bağlı aksesuar) (Şek. 17, 18, 19 ve 20)

⚠ DİKKAT:

• Ezynut'u Süper Flanş veya model numarasının sonunda "F" harfi olan taşlama makinesi modelleri ile birlikte kullanmayın. Bu flanşlar tüm dişin mil tarafından tutulmasına engel olacak kadar kalındır.

İç flanşı, aşındırıcı diski ve Ezynut'u, Ezynut üzerindeki Makita Logosu dışarı bakacak şekilde monte edin.

Şaft kilidine sıkıca bastırın ve aşındırıcı diski saat yönünde sonuna kadar döndürerek Ezynut'u sıkılayın. Gevşetmek için Ezynut'un dış halkasını saatin aksi yönde döndürün.

NOT:

• Ok çentiği gösterdiği müddetçe Ezynut elle gevşetilebilir. Aksi takdirde, gevşetmek için bir kilit somunu anahtarını gerekir. Anahtarın bir pimini bir deliğe yerleştirin ve Ezynut'u saatin aksi yönünde döndürün.

Fleks diskin takılması veya çıkarılması (isteğe bağlı aksesuar) (Şek. 21)

⚠ UYARI:

• Fleks disk alet üzerindeyken daima verilen siperi kullanın. Disk kullanılırken sırasında kırılabilir ve siper kişisel yaralanma olasılığını azaltır.

Merkezden basmalı disk için verilen talimatları izleyin fakat ayrıca diskin üzerinde plastik altlık kullanın. Bu kılavuzun aksesuarlar sayfasında verilen montaj düzenine bakın.

Aşındırıcı diskin takılması veya çıkarılması (isteğe bağlı aksesuar) (Şek. 22)

NOT:

• Bu kılavuzda belirtilen zımparalama aksesuarlarını kullanın. Bu aksesuarlar ayrıca satın alınmalıdır.

Kauçuk altlığı mile takın. Diski kauçuk altlığın üzerine yerleştirin ve zımpara kilit somununu mile vidalayın. Zımpara kilit somununu sıkarak için, milin dönmemesi sağlayacak şekilde şaft kilidine kuvvetle bastırın sonra kilit somunu anahtarını kullanarak saat yönünde iyice sıkın.

Diski çıkarmak için, takma işlemlerini tersinden uygulayın.

Toz kapağı eklentisinin takılması veya çıkarılması (isteğe bağlı aksesuar) (Şek. 23)

⚠ UYARI:

- Toz kapağı eklentisini takmadan veya çıkarmadan önce aletin kapalı ve fişinin çekili olduğundan daima emin olun. Aksi takdirde alet zarar görebilir ya da kişisel yaralanmalar meydana gelebilir.

Toz kapağı eklentisinin dört parçası vardır ve her biri farklı pozisyonlarda kullanılır.

Toz kapağı eklentisini işaretler (A, B, C veya D) gösterildiği şekilde yerleşecek şekilde ayarlayın. Pimlerini havalandırma deliklerine geçirerek kapatın. Toz kapağı eklentisi elle çıkarılabilir.

NOT:

- Toz kapağı eklentisi toz ya da yabancı maddelerle tıklandığında çıkarıp temizleyin. Tıkalı bir toz kapağı eklentisi ile çalışmaya devam etmek alete zarar verir.

KULLANIM

⚠ UYARI:

- Aletin hiçbir zaman zorlanması gerekmez. Aletin ağırlığı yeterli basıncı uygular. Zorlama ve fazla basınç tehlikeli disk kırılmasına neden olabilir.
- Taşlama sırasında alet düşürülürse disk DAİMA değiştirin.
- Taşlama diskini ASLA taşlanan malzemeye vurmayın ya da çarpmayın.

- Özellikle köşelerde, keskin kenarlarda, vb. alanlarda çalışırken disk zıplatmaktan ve engellere takmaktan kaçının. Bu, kontrol kaybına ve geri tepmeye neden olabilir.
- Bu aleti ASLA ahşap kesme bıçakları ve diğer testere bıçakları ile kullanmayın. Bu bıçaklar bir taşlama makinesiyle kullanıldığında sıkça geri teperler ve yaralanmaya yol açacak kontrol kaybına neden olurlar.

⚠ DİKKAT:

- İş parçası ile temas halindeyken aleti asla çalıştırmayın; bu, kullanıcının yaralanmasına neden olabilir.
- Çalışma sırasında daima emniyet gözlükleri veya bir yüz siperi kullanın.
- Çalışmanız bitince daima aleti kapatın ve yere koymadan önce diskin tamamen durmasını bekleyin.

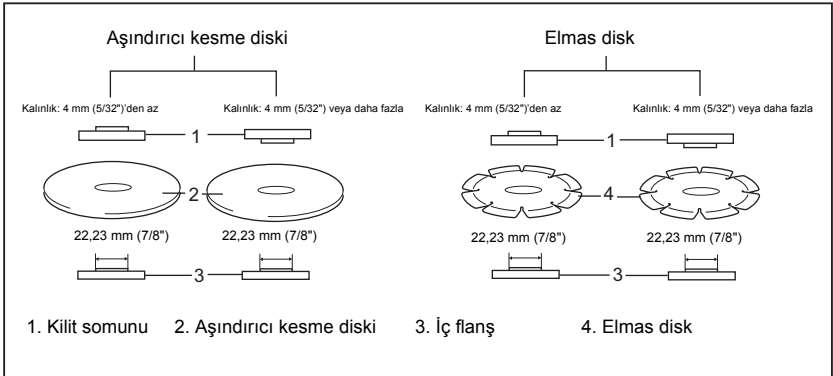
Taşlama ve zımparalama işlemi (Şek. 24)

Aleti DAİMA bir elinizle arka sapından ve diğer elinizle yan sapından tutun. Metal parçalara dokunmayın. Aleti çalıştırın ve disk iş parçasına uygulayın. Genel olarak diskin kenarını iş parçasının yüzeyine yaklaşık 15 derecelik bir açıyla tutun. Yeni bir diskin alıştırmaya döneminde taşlama makinesini B yönünde çalıştırmayın aksi takdirde disk iş parçasını keser. Diskin kenarı kullanılıp yuvarlandıktan sonra, disk hem A hem de B yönlerinde kullanılabilir.

Aşındırıcı kesme disk / elmas disk ile çalışma (isteğe bağlı aksesuar) (Şek. 25)

Kilit somununu ve iç flanşı monte etme yönü disk kalınlığına göre değişir.

Aşağıdaki tabloya bakın.



011644

⚠ UYARI:

- Bir aşındırıcı kesme diski / elmas disk kullanıldığı zaman, sadece kesme diskleriyle kullanılmak için belirlenmiş özel disk siperini kullandığınızdan emin olun. (Bazı Avrupa ülkelerinde, elmas disk kullanılırken normal siper kullanılabilir. Ülkenizdeki yönetmeliklere uygun davranın.)
- Kenar taşlama için ASLA kesme diski kullanmayın.
- Diski "sıkıştırmayın" veya aşırı basınç uygulamayın. Aşırı derinlikte bir kesme yapmaya çalışmayın. Taşın aşırı zorlanması yükü ve taşın kesik içinde bükülme veya takılma olasılığını artırarak, geri tepmeye, taşın kırılmasına ve motorun aşırı ısınmasına neden olabilir.
- İş parçasında kesme işlemine başlamayın. Diskin tam hıza ulaşmasını bekleyin ve dikkatli şekilde kesğin içine girerek, aleti iş parçasının yüzeyi boyunca ileri doğru ilerletin. Elektrikli alet iş parçası içinde çalıştırılırsa, disk takılabilir, yukarı tırmanabilir veya geri tepebilir.
- Kesme işlemleri sırasında, diskin açısını kesinlikle değiştirmeyin. Kesme diskine (taşlamada olduğu gibi) yan basınç uygulanması diskin kırılmasına ve kopmasına neden olarak, ciddi yaralanmalara yol açabilir.
- Bir elmas disk kesilecek malzemeye dik olarak çalıştırılmalıdır.

Tel tas fırçayla çalışma (isteğe bağlı aksesuar) (Şek. 26)

⚠ DİKKAT:

- Fırçanın önünde veya hizasında hiç kimse olmadığından emin olarak, aleti yüksüz çalıştırıp fırçanın çalışmasını kontrol edin.
- Hasarlı veya dengesiz fırçaları kullanmayın. Hasarlı fırça kullanılması kırık fırça tellerinin temas etmesiyle yaralanma potansiyelini artırabilir.

Aleti prizden çıkarın ve mile kolay erişim için ters şekilde yerleştirin. Mil üstündeki aksesuarları çıkarın. Tel tas fırçayı mile takın ve verilen anahtarla sıkın. Fırça kullanırken, tellerin aşırı bükülüp erken kırılmasına neden olan aşırı basınç uygulamayın.

Tel disk fırçayla çalışma (isteğe bağlı aksesuar) (Şek. 27)

⚠ DİKKAT:

- Fırçanın önünde veya hizasında hiç kimse olmadığından emin olarak, aleti yüksüz çalıştırıp tel disk fırçanın çalışmasını kontrol edin.
- Hasarlı veya dengesiz tel disk fırçaları kullanmayın. Hasarlı tel disk fırça kullanılması kırık fırça tellerinin temas etmesiyle yaralanma potansiyelini artırabilir.
- Tel disk fırçalarla birlikte DAİMA, diskin çapı siperin içinde kalacak şekilde, siper kullanın. Disk kullanım sırasında kırılabilir ve siper kişisel yaralanma olasılığını azaltır.

Aleti prizden çıkarın ve mile kolay erişim için ters şekilde yerleştirin. Mil üstündeki aksesuarları çıkarın. Tel disk fırçayı mile takın ve verilen anahtarla sıkın.

Tel disk fırça kullanırken, tellerin aşırı bükülüp erken kırılmasına neden olan aşırı basınç uygulamayın.

BAKIM

⚠ DİKKAT:

- Muayene ya da bakım yapmadan önce aletin kapalı ve fişinin çekili olduğundan daima emin olun.
- Benzin, tiner, alkol ve benzeri maddeleri kesinlikle kullanmayın. Renk değişimi, deformasyon veya çatlaklar oluşabilir.

Alet ve hava delikleri temiz tutulmalıdır. Aletin hava deliklerini düzenli aralıklarla veya delikler her tıkanmaya başladığında temizleyin. (Şek. 28)

Aleti EMNİYETLİ ve ÇALIŞMAYA HAZIR durumda tutmak için onarımlar, karbon fırça muayenesi ve değiştirilmesi, başka her türlü bakım ve ayarlamalar daima Makita yedek parçaları kullanılarak Makita Yetkili Servis Merkezleri tarafından yapılmalıdır.

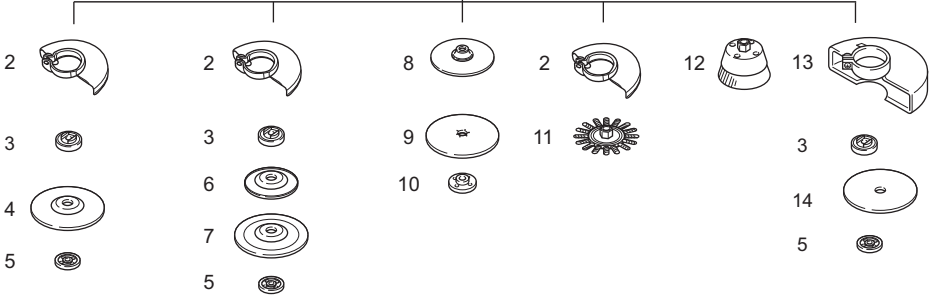
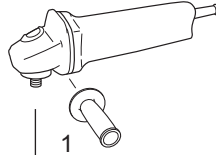
İSTEĞE BAĞLI AKSESUARLAR

⚠ DİKKAT:

- Bu aksesuarlar ve ek parçalar bu el kitabında belirtilen Makita aletiniz ile kullanılmak için tavsiye edilmektedir. Herhangi başka bir aksesuar ya da ek parça kullanılması insanlar için bir yaralanma riski getirebilir. Aksesuarları ya da ek parçaları yalnızca belirtilmiş olan kullanım amaçlarına uygun olarak kullanın.

Bu aksesuarlarla ilgili daha fazla bilgiye ihtiyaç duyarsanız bulunduğunuz yerdeki Makita Servis Merkezi başvurun.

- Aşındırıcı disk
- Toz kapağı eklentisi



	115 mm (4-1/2") model	125 mm (5") model
1	Sap 36	
2	Disk Siperi (taşlama diski için)	
3	İç flanş 42 Süper flanş 47 *1	
4	Merkezden basmalı disk/Flap disk	
5	Kilit somunu 14-45 Ezynet *2	
6	Lastik altlık	
7	Fleks disk	
8	Kauçuk altlık 100	Kauçuk altlık 115
9	Aşındırıcı disk	
10	Zımpara kilit somunu 14-48	
11	Tel disk fırça	
12	Tel tas fırça	
13	Disk Siperi (kesme diski için) *3	
14	Aşındırıcı kesme diski/Elmas disk	
-	Kilit somunu anahtarı 35	

Not:

*1 Fren işlevi ile donatılmış bir taşlama makinesinde Süper flanş kullanmayın.

*2 Ezynet ve Süper flanşı birlikte kullanmayın.

*3 Bazı Avrupa ülkelerinde, elmas bir disk kullanılırken diskin her iki yanını kaplayan özel siper yerine normal siper kullanılabilir. Ülkenizdeki yönetmeliklere uygun davranın.

012987

NOT:

- Listedeki bazı parçalar standart aksesuar olarak ürün paketinin içine dahil edilmiş olabilir. Aksesuarlar ülkeden ülkeye farklılık gösterebilir.

Gürültü

EN60745 uyarınca hesaplanan tipik A-ağırlıklı gürültü düzeyi:

Ses basınç seviyesi (L_{pA}): 84 dB (A)

Ses güç seviyesi (L_{WA}): 95 dB (A)

Belirsizlik (K): 3 dB (A)

Kulak koruyucusu takın

ENG900-1

Titreşim

EN60745 standardına göre hesaplanan titreşim toplam değeri (üç eksenli vektör toplamı):

Çalışma modu: titreşim önleyici yan sap ile disk zımparalama

Titreşim emisyonu ($a_{h,DS}$): 2,5 m/s²'den az

Belirsizlik (K): 1,5 m/s²

Çalışma modu: normal yan sap ile disk zımparalama

Titreşim emisyonu ($a_{h,DS}$): 2,5 m/s²'den az

Belirsizlik (K): 1,5 m/s²

Çalışma modu: titreşim önleyici yan sap ile yüzey taşlama

Titreşim emisyonu ($a_{h,AG}$): 4,0 m/s²

Belirsizlik (K): 1,5 m/s²

Çalışma modu: normal yan sap ile yüzey taşlama

Titreşim emisyonu ($a_{h,AG}$): 5,0 m/s²

Belirsizlik (K): 1,5 m/s²

ENG902-1

- Beyan edilen titreşim emisyon değeri standart test yöntemine uygun şekilde ölçülmüştür ve bir aleti bir başkasıyla karşılaştırmak için kullanılabilir.
- Beyan edilen titreşim emisyon değeri bir ön maruz kalma değerlendirmesi olarak da kullanılabilir.
- Beyan edilen titreşim emisyon değeri bu elektrikli aletin başlıca uygulamaları için kullanılır. Ancak, bu elektrikli alet başka uygulamalar için kullanılırsa titreşim emisyon değeri farklı olabilir.

⚠️ UYARI:

- Bu elektrikli aletin gerçek kullanımı sırasındaki titreşim emisyonu aletin kullanım biçimlerine bağlı olarak beyan edilen emisyon değerinden farklı olabilir.
- Gerçek kullanım koşullarındaki maruz kalmanın bir tahmini hesaplaması temelinde operatörü koruyacak güvenlik önlemlerini mutlaka belirleyin (çalışma döngüsü içerisinde aletin kapalı olduğu ve aktif durumda olmasının yanı sıra boşta çalıştığı zamanlar gibi, bütün zaman dilimleri göz önünde bulundurularak değerlendirilmelidir).

Sadece Avrupa ülkeleri için**EC Uygunluk Beyanı**

Makita Corporation beyan eder ki aşağıdaki makine(ler):

Makine Adı:

Açılı Zımparalama

Model No./ Tipi: SA5040C

Aşağıdaki Avrupa Direktiflerine uygundur(lar):

2006/42/EC

Aşağıdaki standartlara veya standartlaştırılmış belgelere uygun olarak imal edilmişlerdir:

EN60745

2006/42/EC uyumluluğuna ilişkin teknik dosyaya şuradan ulaşılabilir:

Makita, Jan-Baptist Vinkstraat 2, 3070, Belçika

1.2.2016



Yasushi Fukaya

Müdür

Makita, Jan-Baptist Vinkstraat 2, 3070, Belçika

Makita Europe N.V.

Jan-Baptist Vinkstraat 2,
3070 Kortenbergh, Belgium

Makita Corporation

3-11-8, Sumiyoshi-cho,
Anjo, Aichi 446-8502 Japan