

Perfectpro B.V.  
Everdenberg 9A  
Oosterhout  
The Netherlands



WARNING: SHOCK HAZARD - DO NOT OPEN  
AVIS: RISQUE DE CHOC ÉLECTRIQUE - NE PAS OUVRIR

	<b>CAUTION</b> RISK OF ELECTRIC SHOCK DO NOT OPEN	
--	---	--

DO NOT EXPOSE TO RAIN OR MOISTURE  
NE PAS EXPOSER À LA PLUIE NI À L'HUMIDITÉ

WARNUNG! NICHT ÖFFNEN, GEFAHR VOR ELEKTRISCHEM  
SCHLAG. NICHT REGEN ODER FEUCHTIGKEIT AUSSETZEN.

3A81e66L00000

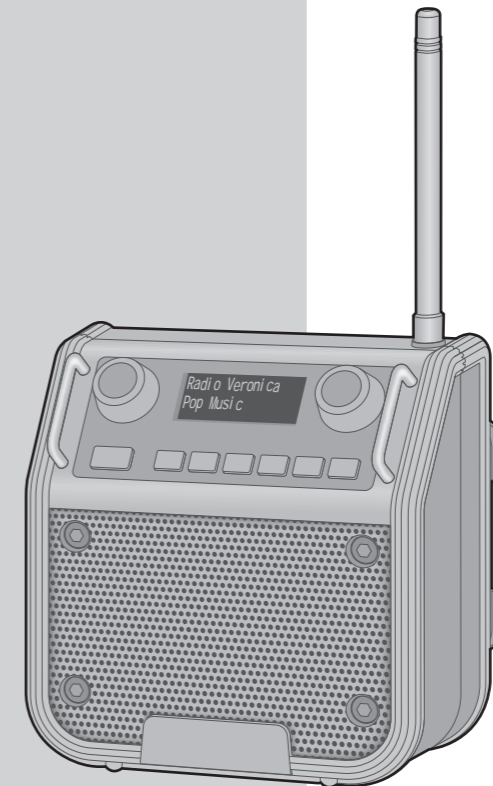


# » PERFECTPRO

## DABPRO



- GB** Operating instruction .... 1 - 19
- NL** Gebruiksaanwijzing ..... 20 - 38
- D** Bedienungsanleitung ..... 39 - 57
- F** Mode d'emploi ..... 58 - 76





The Bluetooth® word mark and logos are registered trademarks owned by Bluetooth SIG, Inc. and any use of such marks by Perfectpro B.V. is under license.

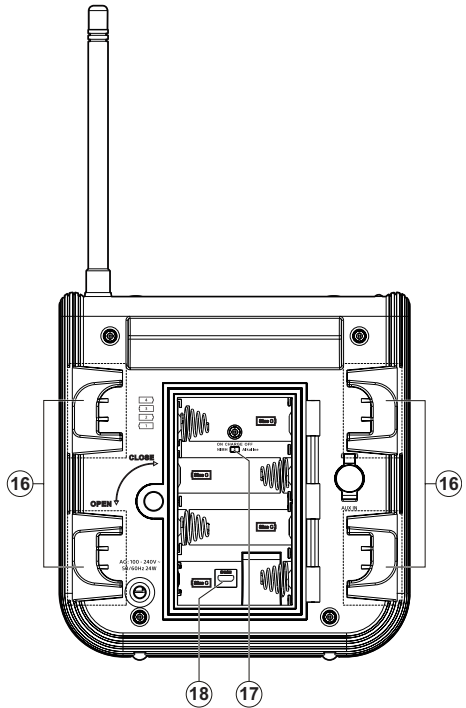
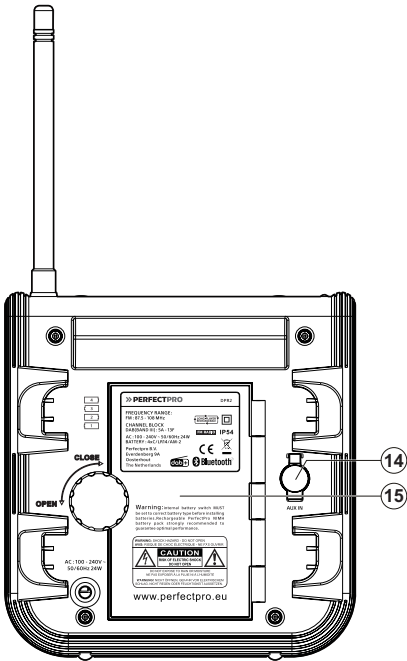
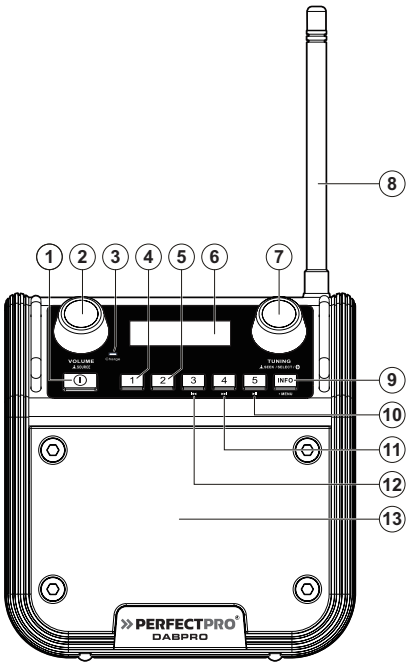
**WARNING!**

WARRANTY BECOMES VOID ONCE THE DEVICE CABINET HAS BEEN OPENED OR ANY MODIFICATIONS OR ALTERATIONS TO THE ORIGINAL DEVICE HAVE BEEN MADE. NEVER OPEN THE DEVICE CASING. THE MANUFACTURER WILL NOT ACCEPT ANY LIABILITY FOR DAMAGE RESULTING FROM IMPROPER HANDLING. THE TYPE PLATE IS LOCATED ON THE BACK OF THE DEVICE.

## Important Safety Instructions

1. Read these instructions.
2. Keep these instructions.
3. Heed all warnings.
4. Follow all instructions.
5. Do not use this apparatus near water.
6. Clean only with dry cloth.
7. Do not block any ventilation openings. Install in accordance with the instructions.
8. Do not install near any heat sources such as radiators, heat registers, stoves or other apparatus (including amplifiers) that produce heat.
9. Protect the power cord from being walked on or pinched particularly at plug, convenience receptacles, and the point where they exit from the apparatus.
10. Only use attachments/accessories specified by the manufacturer.
11. Use only with the cart, stand, tripod, bracket, or table specified by the manufacturer, or sold with the apparatus. When a cart is used, use caution when moving the cart/apparatus combination to avoid injury from tip-over.
12. Unplug this apparatus during lightning storms or when unused for long periods of time.
13. Refer all servicing to qualified service personnel. Servicing is required when the apparatus has been damaged in any way, such as power supply cord or plug is damaged, liquid has been spilled or objects have fallen into the apparatus, the apparatus has been exposed to rain or moisture, does not operate normally, or has been dropped.
14. To reduce the risk of fire or electric shock, do not expose this appliance to Rain or Moisture. For outdoors use, to avoid electric shock, only use batteries power during a raining day or the weather is wet. This apparatus is provided with protection against splashing water and dust ingress (IP54).
15. The Shock Hazard Marking and Associated Graphical Symbol is provided on the back of unit.
16. Apparatus shall not be exposed to dripping or splashing and no objects filled with liquids, shall be placed on the apparatus.
17. The power plug should be close to the radio, and easy to be approached that during the emergency, to disconnect the power from the radio, just unplug the power plug from the AC power slot.
18. **Notice:**  
The changes or modifications not expressly approved by the party responsible for compliance could void the user's authority to operate the equipment.
19. Where the MAINS plug or an appliance coupler is used as the disconnect device, the disconnect device shall remain readily operable.
20. A warning that batteries (battery pack or batteries installed) shall not be exposed to excessive heat such as sunshine, fire or the like.
21. To prevent possible hearing damage, do not listen at high volume levels for long periods.





## Controls

- ① Power On/Off button
- ② Volume control/Source button
- ③ Charge LED indicator
- ④ Preset 1 button
- ⑤ Preset 2 button
- ⑥ LCD Display
- ⑦ Tuning control knob/Select/Seek/Bluetooth pairing button
- ⑧ FM/DAB Antenna
- ⑨ Info/Menu button
- ⑩ Preset 5/Play/Pause button
- ⑪ Preset 4/Next track/Fast forward button
- ⑫ Preset 3/Previous track/Rewind button
- ⑬ Speaker
- ⑭ Aux in socket
- ⑮ Battery compartment
- ⑯ Power cord storage
- ⑰ NiMH/Alkaline battery switch
- ⑱ Socket for software upgrade

## Powering the radio

### 1. Battery operation

Installing the batteries: first turn the battery cover fixture anti-clockwise to loosen and open the battery cover.

#### Note:

Before you insert the batteries, check the NiMH/Alkaline switch position. If you use non-rechargeable batteries, make sure the NiMH/Alkaline switch which located inside the battery compartment is switched to Alkaline position. If you use rechargeable batteries, make sure to switch NiMH/Alkaline switch to NiMH position.

Insert 4 x C size (AM-2) batteries into the compartment.

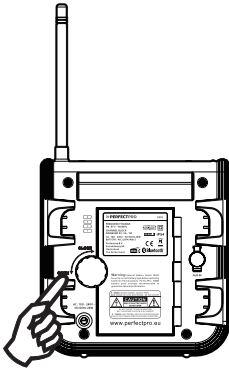
Ensure the batteries are inserted in accordance with the diagram shown.

Close the battery compartment cover and fasten the fixture by turning clockwise.

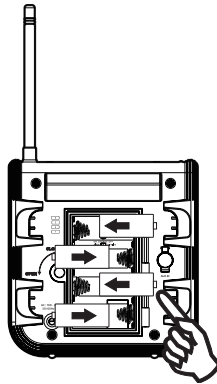
If the radio is not to be used for any extended period of time, it is recommended that the batteries are removed from the radio.

Reduced power, distortion and a "stuttering sound" or low battery sign flashing on the display are all signs that the batteries need replacing or recharging.

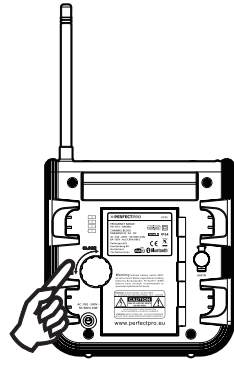
1.



2.



3.



When playing on (rechargeable) batteries the output power is less compared to the output power when playing on AC mains power. Because of this the sound can be somewhat distorted at the highest volume settings.

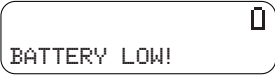
### 2. AC operation

Before you plug the AC power cord into the AC socket, make sure the voltage is correct. If you have batteries in the radio and use the AC power, the batteries will automatically be disconnected.


AC power cord storage is designed to store the cord when the radio is not in use.

## Charging the batteries

Reduced power, distortion and a “stuttering” sound or low battery sign flashing on the LCD display are all signs that the batteries need replacing or recharging.



BATTERY LOW!



CHECK BATTERY 4

### Note:

The batteries can be charged both while the radio is powered on and powered off. Connect the AC power cord into the AC socket to charge the batteries. Be sure the NiMH/Alkaline switch is set to NiMH position. When the batteries are being charged, the Charge LED indicator will be flashing green. It can take up to approx. 7 hours to fully charge the batteries, depending on the battery capacity of the rechargeable batteries. When the batteries are fully charged, the Charge LED indicator will be steady green.

During the charging process, if a battery is detected as faulty/damaged, the Charge LED indicator flashes red. The radio can detect which batteries are faulty and are causing the charging failure. (e.g. the picture at right indicates that Battery 4 is detected as faulty/damaged). When the radio indicates that one or more batteries are faulty, the batteries in question must be removed or replaced in order to stop the Charge LED indicator from blinking red.

### Note:

Charge new batteries fully the first time before first use. Duration for charging your batteries fully can vary according to the mAh capacity of the batteries. Higher mAh batteries require a longer charging time.

**INSTALL ONLY PRE-CHARGED (TO THE SAME VOLTAGE LEVEL) NIMH BATTERIES WITH “LOW SELF-DISCHARGE” CHARACTERISTICS. USE OF ORIGINAL PERFECTPRO BATTERIES IS HIGHLY RECOMMENDED.**

## IMPORTANT INFORMATION ON CHARGING AND USING RECHARGEABLE BATTERIES

1. Recharge the batteries in any case at least every 2 months.
2. Make sure the NiMH/Alkaline battery switch inside the battery compartment is set to the “NiMH” position.
3. Put the batteries in the compartment whilst paying attention to the correct polarity of the batteries (+ and -).
4. **First use:** Charge new batteries in one continuous, uninterrupted, charge until they are full. This first charge may take longer than normal. For longer battery life it is advised to always recharge in one continuous, uninterrupted charge until batteries are full and to not recharge again whilst the batteries are still full.
5. New batteries will only reach their full capacity after some time of use (several charge - discharge cycles).
6. Leave the complete group of batteries in place inside the radio and do not use these batteries or a few of them for other purposes. This will result in a mix of (fully) charged and (partly) empty batteries. This can seriously damage the batteries and radio when recharged.
7. It is advised to only charge batteries at room temperatures between 5 degrees C - 35 degrees C. In lower or higher temperatures full charge cannot be achieved.

8. Depending on the capacity of the batteries, charging from “empty” to “full” can take several hours, even up to 7 hours or more.
9. Do not charge batteries when the radio is hot or exposed to heat or heat sources.
10. It is advised to clean the metal contacts of the batteries and of the charger inside the radio e.g. with a contact-spray from time to time.
11. Do not use a mix of old and new rechargeable batteries.
12. Do not use a mix of rechargeable and non-rechargeable batteries.
13. Do not use a mix of full and empty rechargeable batteries.
14. Do not use batteries that have a different mAh capacity.
15. Do not use damaged, deformed or leaking batteries.
16. Battery level indication is an approximate indication only and can vary with battery type used.
17. Batteries can become hot during charging.
18. In cold conditions the capacity of batteries will be much lower than when used at normal room temperature.
19. Batteries (even when supplied with the radio), as being consumables, do not fall under the warranty conditions of the radio.
20. It is advised to use Perfectpro rechargeable batteries as the radio and its charger were developed for use with these batteries.
21. Batteries should not be disposed of by incineration and with household waste.
22. Disposable batteries should be taken to a suitable recycling centre if possible.

## Using the radio for the first time

1. Place your radio on a flat surface.
2. Be sure to screw in the antenna properly to get best reception.
3. Plug the AC power cord into an AC socket. The display will show “Welcome to Digital Radio” for a few seconds. After short time, the current time will appear on the display.
4. If no time is displayed, the screen will show “--:--:--” and “Time is not set”. Press the Power On/Off button to turn on your radio and it will find a DAB clock radio stations. It may be necessary to relocate your radio to a position giving better reception and carry out a scan to find stations as described in later sections.

**IMPORTANT:** The mains plug is used as the means of connecting the radio to the mains supply. The mains socket used for the radio must remain accessible during normal use. In order to disconnect the radio from the mains completely, the mains plug should be removed from the mains outlet completely.



## Operating your radio – DAB

1. Press the Power On/Off button to switch on your radio.
2. Press the Source button to select DAB band.
3. If this is the first time the radio is used, a quick scan of Band III DAB channels will be carried out. If the radio has been used before, the last used station will be selected.
4. During Autotune, as new stations are detected, the station counter on the right hand side of the display will increase and stations will be added to the list. The display shows a bar graph indicating progress of autotune.
5. When the Autotune is completed, the first station (in numeric-alpha order 0...9...A...Z) will be selected.
6. If the station list is still empty after the Autotune, your radio will display “No DAB Station” for a few seconds and then automatically switch to the DAB menu.
7. If no signals are found, it may be necessary to relocate your radio to a position giving better reception.

### **Note:**

That radio station name and frequency displays shown in this user guide may differ from those that you see on your radio. Broadcasters may change radio station names that are transmitted, and the frequencies used for DAB and FM radio stations may not be the same in all parts of the country.

## Selecting a station – DAB

1. Press the Power On/Off button to switch on your radio.
2. Press and release the Source button until the DAB mode is selected. The display will show the name of the radio station currently selected.
3. Rotate the Tuning control knob to scroll through the list of available stations.
4. Press and release the Tuning control knob to select the station. The display may show “Connecting...” while your radio finds the new station.
5. Adjust the Volume control to the required setting.

**Note:** If after selecting a station, the station is not found it may be necessary to relocate your radio to a position giving better reception.

## Secondary service – DAB

1. Certain radio stations have one or more secondary services associated with them. If a station has a secondary service associated with it, the display will show “>>” next to the station name on the station list. The secondary service will then appear immediately after the primary service as you rotate the Tuning control knob.
2. Press and release the Tuning control knob to select the station. Most secondary services do not broadcast continually and if the selected service is not available, the radio will re-tune to the associated primary service.

## Display mode – DAB

Your radio has a range of display options when in DAB mode:

1. Press and release the Info button to cycle through the various modes.

- |                          |  |
|--------------------------|--|
| a. Scrolling text (DLS)  | displays scrolling text messages such as artist/track name, phone in number, etc.  |
| b. DL Plus text          | Some stations may provide other programme related information for the display in addition to the regular text. If none is available, a message “no info” is displayed. |
| c. Program type          | displays type of station being listened to e.g. Pop, Classic, News etc.  |
| d. Multiplex name        | displays name of multiplex to which current station belongs.   |
| e. Time & date           | displays the current time and date.  |
| f. Channel & frequency   | displays current channel and frequency.  |
| g. Bit rate / audio type | displays the digital bit rate and the audio type for the currently tuned DAB station.  |
| h. Signal strength       | displays the signal strength of radio reception. The clear unfilled rectangle indicates minimum signal level required for satisfactory reception.                      |

GB

## Finding new stations – DAB

As time passes new stations may become available. To find new stations proceed as follows:

1. To carry out a full scan of the entire DAB Band III frequencies press and hold the Info/Menu button. The display will show “Full scan”.
2. Press and release the Tuning control knob to confirm setting. As new stations are found, the station counter on the right hand side of the display will increase and stations will be added to the list.

## Manual Tuning – DAB

Manual tuning allows you to tune directly to the various DAB band III channels.

1. Press and hold the Info/Menu button for 2 seconds, display will show “Full scan”.
2. Rotate the Tuning control knob to find “Manual Tune”. Press and release the Tuning control knob to enter DAB channels in the list. Rotate the Tuning control knob to select required DAB channel. When required DAB channel is found, press and release the Tuning control knob to select the required DAB channel.

## Dynamic Range Control (DRC) setting – DAB

DRC can make quieter sound easier to hear when your radio is used in a noisy environment.

1. In DAB band, press and hold the Info/Menu button for 2 seconds, display will show “Full scan”.
2. Rotate the Tuning control knob to find “DRC Value”. Press and release the Tuning control knob to enter adjustment mode.
3. Rotate the Tuning control knob to select required DRC setting (default is off).  
DRC Off DRC is switched off, Broadcast DRC will be ignored.  
DRC High DRC is set as sent by broadcaster.  
DRC Low DRC level is set to 1/2 that sent by broadcaster.
4. Press and release the Tuning control knob to confirm the setting.

**Note:** Not all DAB broadcasts are able to use the DRC function. If the broadcast does not support DRC, then the DRC setting in the radio will have no effect.

## Station order setup

Your radio has 2 station order settings from which you can choose. The station order settings are alphanumeric and ensemble.

### **Note:**

The default station order on your radio is alphanumeric.

1. Press the Power On/Off button to switch on your radio.
2. Press the Source button to select DAB band.
3. Press and hold the Info/Menu button to enter the DAB menu list. The display will show “Full scan”.
4. Rotate the Tuning control knob until the display shows “Station Order”. Press the Tuning control knob to enter the station order adjustment mode.
5. Rotate the Tuning control knob to choose “Alphanumeric” or “Ensemble”.  
“Alphanumeric” - sorts the station list alpha-numerically 0...9 A...Z.  
“Ensemble” – organizes the station list by DAB multiplex.  
The current setting is indicated by an asterisk.
6. Press the Tuning control knob to select the required station order.

## Prune stations

If you move to a different part of the country, some of the stations which were listed may no longer be available. Also from time to time, some DAB services may stop broadcasting, or may change location or frequency. Stations which cannot be found, or which have not been received for a very long time are shown in the station list with a question mark. The prune stations function will delete the marked DAB stations from your station list.

1. Press and hold the Info/Menu button and the display will show “Full scan”.
2. Rotate the Tuning control knob to find “Prune”. Press and release the Tuning control knob to enter adjustment mode. Then rotate the Tuning control knob to select “Yes” or “No”. To activate the Prune function select “Yes”, and press and release the Tuning control knob to confirm the setting.
3. If you do not wish to prune stations, select “No” and then press and release the Tuning control knob.

### **Note:**

If you have moved your radio to a different part of the country you should also carry out a search for new stations (please see the section “Finding new stations”).

## Operating your radio – FM

1. Press the Power On/Off button to switch on your radio.
2. Press the Source button to select FM waveband.
3. To scan up in frequency, first rotate the Tuning control knob in a clockwise direction and then press the Tuning control knob. Your radio will scan in an upwards direction (low frequency to high frequency) and stop automatically when it finds a station of sufficient strength. To scan down in frequency, first rotate the Tuning control knob in a anti-clockwise direction and then press the Tuning control knob.  
Your radio will scan in a downwards direction and stop automatically when it finds a station of sufficient strength. After a few seconds the display will update. The display will show the frequency of the signal found. If the signal is strong enough and there is RDS data present then the radio will display the station name.
4. When the waveband end is reached, your radio will recommence tuning from the opposite waveband end.
5. Adjust the Volume control to the required setting.
6. To switch off your radio, press the Power On/Off button.

GB

## Manual tuning – FM

1. Press the Power On/Off button to switch on your radio.
2. Press the Source button to select FM waveband.
3. Rotate the Tuning control knob to tune to a station. The frequency will change in steps of 50 kHz. When the waveband end is reached, the radio will recommence tuning from the opposite waveband end.
4. Set the Volume Control to the required setting. To switch off your radio, press the Power On/Off button.

## Display Modes – FM

On FM the bottom line of the display can be set to any of the following modes:

1. Press and release the Info button repeatedly to cycle through the various modes.
  - a. Radio text displays scrolling text messages such as artist/track name, phone in number etc.
  - b. Program type displays type of station being listened to e.g. Pop, Classic, News, etc.
  - c. Frequency displays the frequency of the station being listened to.
  - d. Stereo/Mono displays whether the station is being received in stereo or mono.
  - e. Time & date displays the current time and date.

**Note:** If no RDS information is available, the radio will be unable to display the station name, scrolling text and program type information.

## Scan sensitivity setting – FM

Your radio includes a local/distant option for the auto-scan function. By setting the radio to the “local” scan option, weaker signals from more distant transmitters can be ignored by the radio, making stronger signals easier to find.

1. Press the Power On/Off button to switch on your radio.
2. If needed, press and release the Source button until the FM band is selected.
3. Press and hold the Info/Menu button to access FM menu. Rotate the Tuning control knob until “FM Scan Zone” shows on the display. Press and release the Tuning control knob to enter the scan sensitivity adjustment mode. The current setting will be marked with an asterisk.
4. Rotate the Tuning control knob to switch between “Local” (Strong stations only) and “Distant” (All stations) options on the lower line of the display. The Distant option will allow the radio to find weaker signals when scanning.
5. Press and release the Tuning control knob to confirm your selection. The setting is stored in the radio and remains in force until changed or until a System Reset.

## Preset stations in DAB and FM modes

There are 5 memory presets for each DAB/FM wavebands.

1. Press the Power On/Off button to switch on your radio.
2. Tune to the required station as previously described.
3. Press and hold the required Preset button until the display shows e.g. “Preset 2 stored”. The station will be stored under the chosen Preset button. The corresponding preset number e.g. “P2” will show on the display. Repeat this procedure for the remaining presets.
4. Station stored in the memories may be over written by following the above procedure.

## Recall a preset in DAB and FM modes

1. Press the Power On/Off button to turn on the radio.
2. Press the Source button to select the required waveband.
3. Momentarily press the required Preset button, the preset number and station will appear in the display.

**Note:** The display will show “Preset Empty” if no station has been stored to that preset.

## Listening music via Bluetooth streaming

You need to pair your Bluetooth device with your radio before you can auto-link to play stream Bluetooth music through your radio. Pairing creates a “bond” so two devices can recognize each other.

### Pairing and playing your Bluetooth device for the first time

1. Press the Source button to select Bluetooth function. The “Bluetooth Pairing” will show on the display.
2. Activate Bluetooth on your device according to the device's user manual to link to the radio. Locate the Bluetooth device list and select the device named "DABPRO 2" (With some Smartphone's that are equipped with earlier versions than BT.2.1 Bluetooth device, you may need to input the pass code “0000”).

3. Once connected, there will be a confirmation tone sound and the name of your connected Bluetooth device will show on the display. You can simply select and play any music from your source device. The volume control can be adjusted from your source device, or directly from the radio.
4. Use the controls on your Bluetooth-enabled device or on the radio to play/pause and navigate tracks.

**Note:**

- 1) If 2 Bluetooth devices are pairing for the first time, both must search for your radio, it will show its availability on both devices. However, if one device links with this unit first, then the other Bluetooth device won't find it on the list.
- 2) If you take your source device out of range, the connection will be temporarily disconnected to your radio. Your radio will automatically reconnect if the source device is brought back in range. Be aware that during the period of disconnection, no other Bluetooth device can pair or link with your radio.
- 3) If "DABPRO 2" shows in your Bluetooth device list but your device cannot connect with it, please delete the item from your list and pair the device with the radio again following the steps described previously.
- 4) The effective operation range between the system and the paired device is approximately 10 meters (30 feet). Any obstacle between the system and the device can reduce the operational range.
- 5) Bluetooth connectivity performance may vary depending on the connected Bluetooth devices. Please refer to the Bluetooth capabilities of your device before connecting to your radio. All features may not be supported on some paired Bluetooth devices.
- 6) With some mobile phones, making/receiving calls, text messages, e-mails or any other activities unrelated to audio streaming may mute the Bluetooth audio streaming or even temporarily disconnect from your device. Such behavior is a function of the connected device and does not indicate a fault with your radio.

### Display modes - Bluetooth

Your radio has a range of display options when in Bluetooth mode. Note that the availability of information depends on the specific media format.

Press and release the Info button to cycle through the different options. If your connected device is able to provide information from the track being played, your radio can display the following in Bluetooth mode: Track name, Genre, Artist, Time&Date, Album and Playing time.

### Playing audio files in Bluetooth mode

When you have successfully connected your radio with the chosen Bluetooth source device you can start to play your music using the controls on your connected Bluetooth device.

1. Once playing has started adjust the volume to the required setting using the Volume control on your radio or on your enabled Bluetooth source device.
2. Use the controls on your Bluetooth source device to play/pause and navigate tracks. Alternatively, control the playback using Play/Pause ( **5** ), Next track ( **4** ), Previous track buttons ( **3** ) on your radio.
3. Press and hold the Fast-forward/Rewind button to move through the current track. Release the button when the desired point is reached.

**Note:**

Not all player applications or devices may respond to all of these controls.

**Playing a previously-paired Bluetooth source device**

The radio can memorize up to 6 sets of paired Bluetooth source devices, when the memory exceed this amount, the earliest pairing device will be over written from the device.

If your Bluetooth source device already paired with the radio previously, the unit will memorize your Bluetooth source device and it attempts to reconnect with a Bluetooth source device in memory which is last connected.

**Disconnecting your Bluetooth device**

Press and hold the Bluetooth pairing button for 2-3 seconds to disconnect with your Bluetooth device. You can also press the Source button to select any mode other than Bluetooth mode or turn off Bluetooth on your Bluetooth source device to disable the connection.

If you disconnect the Bluetooth device when you are in Bluetooth mode, the “Bluetooth Pairing” will show on the display, indicating Bluetooth is available again for pairing.

## Clock time setting

**Setting the time format**

1. Press the Power On/Off button to turn on the radio.
2. Press and hold the Info/Menu button to access the menu for the current mode. Rotate the Tuning control knob to select “System Setting” and press the Tuning control knob to enter the system settings menu.
3. Rotate the Tuning control knob to select “Time” and press the Tuning control knob to enter the setting.
4. Rotate the Tuning control knob to select “Set 12/24 hour” and press the Tuning control knob to enter the setting.
5. Rotate the Tuning control knob to select 12 or 24 hour format and press the Tuning control knob to confirm the setting. The selected format is used in standby mode and on the playing mode screen. If the 12 hour clock format is chosen, the radio will then use the 12 hour clock with AM/PM suffix.

**Automatically updating the clock**

Your radio will normally update the clock automatically using the DAB or FM signal. If no signal is available, then you need to set the time manually.

After a power failure the radio will then set its clock the next time that you turn on the radio in DAB or FM mode. Alternatively you may specify that the time is not automatically updated. In this case the clock must always be set manually after a power interruption.

1. With your radio switched on, press and hold the Info/Menu button to access the menu for the current mode.
2. Rotate the Tuning control knob to select “System Setting” and press the Tuning control knob to enter the system settings menu.

3. Rotate the Tuning control knob to select "Time". Press the Tuning control knob to enter the time setting menu.
4. Rotate the Tuning control knob to select "Set Time/Date" and press the Tuning control knob to enter the setting.
5. Rotate the Tuning control knob to select "Auto" and press the Tuning control knob to enter the setting.
6. Rotate the Tuning control knob to choose an update option from "Update from Any" "Update from DAB" or "Update from FM" as required. Press the Tuning control knob to confirm your choice.

**Note:**

After selecting "Update from Any", "Update from DAB", "Update from FM" the current time received will be displayed when the radio is switched off. If no signal is found you should either position the radio so that a signal can be received, or revert to manual clock mode.

**Setting the clock manually**

1. With your radio switched on, press and hold the Info/Menu button to access the menu for the current mode.
2. Rotate the Tuning control knob to select "System Setting" and press the Tuning control knob to enter the system settings menu.
3. Rotate the Tuning control knob to select "Time". Press the Tuning control knob to enter the time setting menu.
4. Rotate the Tuning control knob to select "Set Time/Date" and press the Tuning control knob to enter the setting.
5. Rotate the Tuning control knob to select "Manual" and press the Tuning control knob to enter the setting.
6. The hour digits will flash on the display. Rotate the Tuning control knob to set the desired hour.
7. Press the Tuning control knob. The minute digits will flash on the display. Rotate the Tuning control knob to set the desired minute.

**NOTE:** If the radio has been set to use a 12 hour format, there will be an option here for setting AM or PM for the clock time. Rotate the Tuning control knob to select AM or PM.

8. Press the Tuning control knob. The day will flash on the display. Rotate the Tuning control knob to change the day as needed.
9. Press the Tuning control knob. The month will flash on the display. Rotate the Tuning control knob to set the current month.
10. Press the Tuning control knob. The year will flash on the display. Rotate the Tuning control to set the current year. Then press the Tuning control knob to confirm the clock setting. The display will show "Time Saved".



## Language selection

By default your radio will display all menus and messages in English. You can choose your preferred language.

1. Press the Power On/Off button to switch on your radio.
2. Press and hold the Info/Menu button to access the menu for the current mode.
3. Rotate the Tuning control knob to select "System Setting" and press the Tuning control knob to enter the system settings menu.
4. Rotate the Tuning control knob to select "Language" and press the Tuning control knob to enter the language adjustment menu.
5. Rotate the Tuning control knob until your desired language appears on the display. Press the Tuning control knob to confirm your choice. The display will change to the chosen language. The chosen language will be marked with an asterisk.

## Factory reset

If your radio fails to operate or some digits on the display are missing or incomplete, carry out the following procedure.

1. Press the Power On/Off button to switch on your radio.
2. Press and hold the Info/Menu button to access the menu for the current mode.
3. Rotate the Tuning control knob to select "System Setting" and press the Tuning control knob to enter the system settings menu.
4. Rotate the Tuning control knob to select "Factory Reset" and press the Tuning control knob to enter the setting.
5. Rotate the Tuning control knob to highlight "Yes" to proceed. If you do not wish to carry out a system reset, highlight "No" and then press the Tuning control knob to confirm the setting.
6. With "Yes" highlighted, press the Tuning control knob. A full reset will be performed. All presets and station lists will be erased. All settings will be set to their default values. After a system reset, the radio will be restarted. The display will show "Welcome to Digital Radio" and a scan of the DAB band III will be performed. In case of malfunction due to electrostatic discharge, reset the product (reconnection of power source may be required) to resume normal operation.

## Socket for software upgrade

From time to time, new software features for your radio may be developed. Your radio has therefore been designed to allow its internal software to be updated using your USB upgrade port.

You should not attempt to update your radio unless it is recommended to you by Perfectpro Customer Services. Updating the software may remove all radio station presets and settings from your radio. Software updates for your radio may be available in the future.

As software updates become available software and information on how to update your radio can be found at:

[www.perfectpro.eu](http://www.perfectpro.eu)

For more information, please contact our Head Office by sending an email to [info@perfectpro.eu](mailto:info@perfectpro.eu)

1. Use a micro USB cable (not supplied) to connect the USB socket in the battery compartment to your PC.
2. With your radio switched on, press and hold the Info/Menu button to access the menu for the current mode.
3. Rotate the Tuning control knob to select "System Setting" and press the Tuning control knob to enter the system settings menu.
4. Rotate the Tuning control knob to select "Software Upgrade" and press the Tuning control knob to enter the setting. The default setting is "No". Otherwise, rotate the Tuning control knob to choose "Yes" and press the Tuning control knob. The display will show "Waiting for PC wizard...".
5. Go to the website above to download the latest software. Follow the on-screen instructions on your PC provided with the upgrade software to complete the software upgrade.
6. If you do not wish to carry out a software upgrade, rotate the Tuning control knob to choose "No" in step 4 and press the Tuning control knob.

### **Note:**

Please use AC power cord as main power when upgrading software.

Do not switch off the power to the radio until the update operation is complete and the radio has restarted, otherwise the unit may become permanently damaged.

## Software version

The software display cannot be altered and is just for your reference.

1. With your radio switched on, press and hold the Info/Menu button to access the menu for the current mode.
2. Rotate the Tuning control knob to select "System Setting" and press the Tuning control knob to enter the system settings menu.
3. Rotate the Tuning control knob until "SW Version" appears on the display and press the Tuning control knob. The software version shows on the display.
4. Press and release the Info/Menu button to exit the software version display.

## Auxiliary input socket

The 3.5mm Aux In socket is to connect audio source like MP3 player or CD walkman and listen the audio program via radio speaker.

1. Connect a stereo or mono audio source (like CD walkman or MP3 player) to the Aux In socket, which is located on the rear of the radio, behind the rubber cover.
2. Press the Source button to select Auxiliary Input mode. The display will show "AUX IN".
3. Play the file in the CD walkman or MP3 player.
4. Adjust the volume control to the required level.

**Note:** Make sure the rubber cover of the Aux In socket is closed well after use to prevent moist and dirt from entering the radio.

Never use the Aux In socket in rainy or moist conditions to prevent moist from entering the radio. Keep the rubber cover always closed under these conditions.

**SAFETY AND COURTESY NOTE:** To prevent possible hearing damage, do not listen at high volume levels for long periods or put your ears too close to the speaker.

Please use the volume level responsibly with respectable consideration of the situation and other people or animals in the vicinity.

## WARRANTY

This radio has a 2 year limited warranty.

**WARNING! Warranty becomes void once the radio cabinet has been opened or any modifications or alterations to the radio have been made!**

The terms of the warranty of this radio do not cover the following:

- Damage caused by misuse, abuse, neglect, alterations, accidents or unauthorized repair.
- Normal wear and tear.
- Batteries.

Never open the device casing. The manufacturer will not accept any liability for damage resulting from improper handling. The type plate is located on the back of the device.

## Specifications

### Power Requirements

AC Power: 100-240 V ~ 50/60Hz 24W

Batteries: 4 x AM-2 (C size, LR14) , Alkaline or Ni-MH battery

### Frequency Coverage:

FM 87.50 – 108 MHz

DAB 174.928 – 239.200 MHz

GB

### Bluetooth

Bluetooth specification

Bluetooth® 5.0+EDR

Profile Support

A2DP, AVRCP

Bluetooth Audio CODEC

SBC, AAC

Transmitting Power

Power Class 2

Line of sight range

10 meters/30 feet

The frequency and maximum transmitted power

2402MHz ~ 2480MHz: +4dBm (Bluetooth EDR)

### Electronic features:

Speaker: 3 inches 8 ohm 5W full range, waterproof.

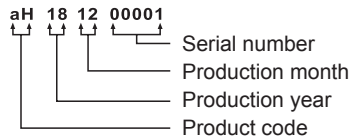
Output power: 2 Watt 10% T.H.D. @ 100Hz @ DC battery 6V

4 Watt 10% T.H.D. @ 100Hz @ AC 230V or 120V

AUX-IN level: 200±70 mVrms (rated level), 1Vrms (max.)

Operating temperature range: 0°C to +35°C

※ The barcode label on the product is defined as below:



The company reserves the right to amend the specifications without notice.



If at any time in the future you should need to dispose of this product please note that: Waste electrical products should not be disposed of with household waste. Please recycle where facilities exist. Check with your Local Authority or retailer for recycling advice. (Waste Electrical and Electronic Equipment Directive)



De Bluetooth® markering en logo's zijn geregistreerde handelsmerken die eigendom zijn van Bluetooth SIG, Inc. en elk gebruik van deze markering en logo's is onder licentie.

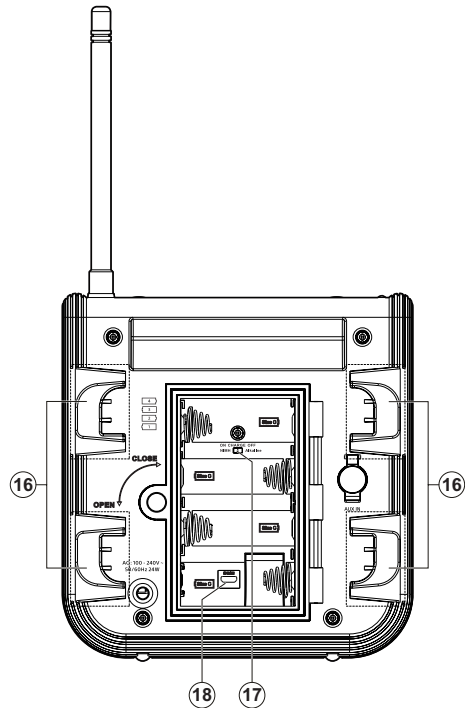
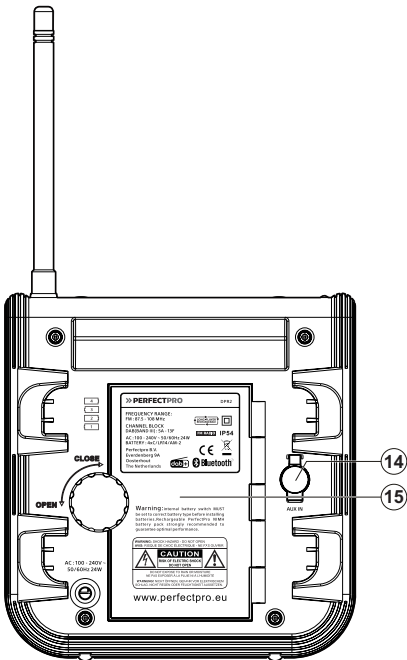
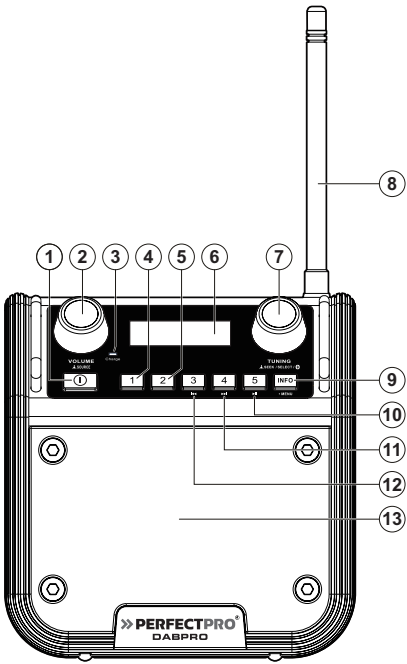
**WAARSCHUWING!**

WAARSCHUWING! DE GARANTIE VERVALT INDIEN DE BEHUIZING VAN HET APPARAAT GEOPEND IS OF INDIEN HET APPARAAT DOOR DE EINDGEBRUIKER OP ENIGERLEI WIJZE GEMODIFICEERD OF VERANDERD IS! OPEN NOOIT DE BEHUIZING. DE PRODUCENT AANVAART GEEN AANSPRAKELIJKHEID VOOR SCHADE EN/OF LETSEL VEROORZAAKT DOOR ONJUIST GEBRUIK. HET TYPEPLAATJE VINDT U OP DE ACHTERZIJDE VAN HET APPARAAT.

## BELANGRIJKE ALGEMENE VEILIGHEIDSINSTRUCTIES

1. Lees deze instructies.
2. Bewaar deze instructies.
3. Neem alle waarschuwingen in acht.
4. Volg alle instructies.
5. Gebruik het apparaat niet in de buurt van water.
6. Alleen schoonmaken met een droge doek.
7. Blokkeer de ventilatieopeningen niet. Installeer in overeenstemming met de instructies van de fabrikant.
8. Niet instaleren in de buurt van warmtebronnen, zoals radiatoren, kachels of andere apparaten (inclusief versterkers) die warmte produceren.
9. Bescherm het netsnoer tegen stappen of pletten bij de stekker, het stopcontact en het punt waar ze het apparaat verlaten.
10. Gebruik alleen hulpmiddelen/accessoires die gespecificeerd zijn door de fabrikant.
11. Gebruik alleen de karren, standaards, driehoek standaards, beugels of tafels die gespecificeerd zijn door de fabrikant of met het apparaat mee verkocht zijn. Als u een kar gebruikt, wees dan voorzichtig bij het verplaatsen ervan om te voorkomen dat het apparaat om zou kantelen en letsel zou veroorzaken.
12. Haal de stekker uit het stopcontact tijdens onweersbuien en als het apparaat langere tijd niet gebruikt wordt.
13. Laat al het onderhoud doen door gekwalificeerd personeel. Onderhoud is nodig als het apparaat beschadigd is, als het stroomsnoer of de stekker beschadigd is, als vloeistof in het apparaat gemorst is, als voorwerpen erin gevallen zijn, als het apparaat blootgesteld geweest is aan regen of vochtigheid, als het niet normaal werkt of als het gevallen is.
14. Stel dit apparaat niet bloot aan regen en vochtigheid om het gevaar van brand en elektrische schokken te voorkomen. Gebruik bij het gebruik in de open lucht op regenachtige dagen of bij vochtig weer uitsluitend batterijen om een elektrische schok te vermijden. Dit apparaat is voorzien van bescherming tegen spatwater en stof (IP54).
15. Een aanduiding voor Schokgevaaren en een bijpassend grafisch symbool zijn voorzien aan de achterkant van dit apparaat.
16. Stel dit apparaat niet bloot aan druppelend of spetterend water en plaats geen voorwerpen die gevuld zijn met vloeistoffen op het apparaat.
17. De netstekker moet dicht bij het toestel en steeds toegankelijk zijn, zodat in geval van nood (bijv. om het toestel van het stroomnet te scheiden) alleen de stekker uit het stopcontact moet worden getrokken.
18. **Opmerking:**  
Veranderingen of aanpassingen die niet uitdrukkelijk zijn goedgekeurd door de partij die verantwoordelijk is voor de naleving van de richtlijnen, zal de bevoegdheid van de gebruiker om het apparaat te gebruiken onverminderd opschorten.
19. Als de stekker of een koppelapparaat wordt gebruikt als ontkoppelapparaat, zorg er dan voor dat deze eenvoudig bereikbaar blijft.
20. Een waarschuwing dat de batterijen (batterijen-set of geplaatste batterijen) niet worden mogen worden blootgesteld aan extreme hitte, zoals zonlicht, vuur en dergelijke.
21. Om mogelijke gehoorschade te voorkomen niet op een hoog volume gedurende een lange periode luisteren.





## BEDIENINGSELEMENTEN

- ① Aan/uit knop
- ② Volume knop/Audiobron knop
- ③ Oplaadindicatielampje
- ④ Voorkeuzezender 1 knop
- ⑤ Voorkeuzezender 2 knop
- ⑥ LCD-display
- ⑦ Tuning knop/Select knop/Zoeken knop/Bluetooth knop
- ⑧ FM/DAB-antenne
- ⑨ Info/Menu knop
- ⑩ Voorkeuzezender 5/Play/Pause knop
- ⑪ Voorkeuzezender 4/Next track/Fast forward knop
- ⑫ Voorkeuzezender 3/Previous track/Rewind knop
- ⑬ Luidspreker
- ⑭ Aux-ingang
- ⑮ Batterijencompartiment
- ⑯ Opbergmogelijkheid netsnoer
- ⑰ NiMH/Alkaline-batterijschakelaar
- ⑱ Poort voor software-upgrade



## INSCHAKELEN VAN DE RADIO

### 1. Gebruik met batterijen

De batterijen plaatsen: draai de schroef van het batterijdeksel eerst tegen de klok in om de schroef los te draaien en open vervolgens het batterijdeksel.

#### Opmerking:

Controleer de stand van de NiMH/Alkaline-schakelaar voordat u de batterijen plaatst. Als u niet-oplaadbare batterijen gebruikt, zorg er dan voor dat de NiMH/Alkaline-schakelaar in het batterijencompartiment in de stand Alkaline staat. Als u oplaadbare batterijen gebruikt, zorg er dan voor dat de NiMH/Alkaline-schakelaar in de stand NiMH staat.

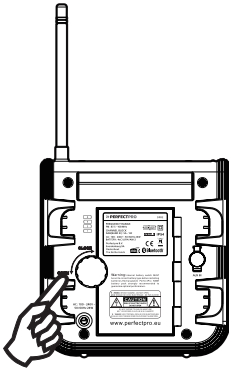
Plaats 4 x C-batterijen (AM-2) in het batterijencompartiment.

Zorg ervoor dat de batterijen geplaatst worden volgens het getoonde plaatje.

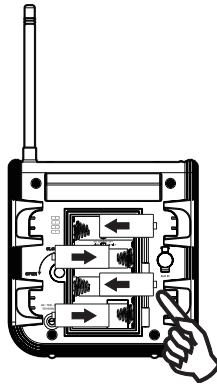
Doe het batterijklepje dicht en zet het vast door het met de klok mee dicht te draaien.

Als de radio langere tijd niet wordt gebruikt is het aan te raden de batterijen uit de radio te verwijderen. Een lager vermogen, vervorming en een "stotterend geluid" of een knipperend pictogram dat aangeeft dat de batterijen bijna leeg zijn, zijn allemaal tekenen dat de batterijen moeten worden vervangen en opgeladen.

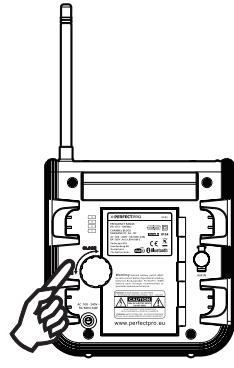
1.



2.



3.




Bij het afspelen op (oplaadbare) batterijen is het uitgangsvermogen lager dan bij het afspelen op netstroom. Hierdoor kan het geluid mogelijk enigszins vervormd klinken op de hoogste volume-instellingen.

### 2. Gebruik op netstroom

Verzeker u ervan dat het voltage klopt voordat u de stekker in het stopcontact steekt. Als er nog batterijen in de radio zitten terwijl u netstroom gebruikt, zullen deze automatisch losgekoppeld worden. De radio is voorzien van een kabelopbergmogelijkheid voor als de radio niet in gebruik is.

## DE BATTERIJEN OPLADEN

Een lager vermogen, vervorming en “stotterend” geluid of een knipperend batterijpictogram op het display van de radio zijn allemaal tekenen dat de batterijen moeten worden vervangen.



BATTERY LOW!

CHECK BATTERY 4

### Opmerking:

De batterijen kunnen worden opgeladen als de radio is in- of uitgeschakeld. Sluit het netsnoer aan op het stopcontact om de batterijen op te laden. Zorg ervoor dat de NiMH/Alkaline-schakelaar in de stand NiMH staat. Wanneer de batterijen worden opgeladen, knippert de oplaadindicator groen. Het kan tot ca. 7 uur om de batterijen volledig op te laden, afhankelijk van de batterijcapaciteit van de oplaadbare batterijen. Wanneer de batterijen volledig zijn opgeladen, blijft de oplaadindicator groen branden.

Als er tijdens het opladen wordt vastgesteld dat een batterij defect/beschadigd is, knippert de oplaadindicator rood. De radio kan detecteren welke batterijen defect zijn en de oplaadstoring veroorzaken. (bijv. de afbeelding aan de rechterkant geeft aan dat de radio heeft gedetecteerd dat batterij 4 defect/beschadigd is). Als de radio aangeeft dat een of meer batterijen defect zijn, moeten de betreffende batterijen worden verwijderd of vervangen om te voorkomen dat de oplaadindicator rood blijft knipperen.

### Opmerking:

De duur van het opladen van uw batterijen kan variëren, afhankelijk van de capaciteit (mAh) van de batterijen. Batterijen met een hogere capaciteit (mAh) moeten langer worden geladen.

**GEbruik ALLEEN VOORGELADEN (TOT HETZELFDE SPANNINGSNIVEAU) NIMH-BATTERIJEN MET “LAGE ZELFONTLADING” EIGENSCHAPPEN. HET WORDT TEN ZEEERSTE AANBEVOLEN ORIGINELE BATTERIJEN VAN PERFECTPRO TE GEBRUIKEN.**

## BELANGRIJKE INFORMATIE VOOR HET OPLADEN EN GEBRUIKEN VAN OPLAADBARE BATTERIJEN

1. Laad de batterijen ten minste iedere 2 maanden op.
2. Zorg ervoor dat de NiMH/Alkaline-batterijschakelaar in het batterijencompartiment in de stand “NiMH” staat.
3. Plaats de batterijen in de juiste richting in het compartiment (+ en -).
4. Eerste gebruik: Laad de nieuwe batterijen in één, niet onderbroken, laadbeurt tot ze vol zijn. Deze eerste laadbeurt kan langer duren dan een normale laadbeurt. Voor een langere levensduur van de batterijen is het daarna het beste om de batterijen altijd in één, niet-onderbroken laadbeurt te laden tot ze volledig vol zijn en niet steeds te laden wanneer ze nog voldoende vol zijn.
5. De nieuwe batterijen zullen hun volledige capaciteit pas bereiken na een aantal gebruikscycli (ontladen-laden).
6. Laat de hele groep batterijen, bij regelmatig gebruik, in de radio zitten en gebruik deze niet voor andere doeleinden. Als u dit niet doet, ontstaat er een mix van (volledig) geladen en (gedeeltelijk) ontladen batterijen.
7. Laad de batterijen bij een omgevingstemperatuur tussen de 5 graden C en 35 graden C. Bij een hogere of lagere temperatuur kunnen de batterijen niet volledig geladen worden.

8. Door de hoge capaciteit van de meegeleverde batterijen kan het laden van “leeg” tot “vol” ongeveer 7 uur duren.
9. Laad geen batterijen op als de radio warm is of is blootgesteld aan hitte of warmtebronnen.
10. Geadviseerd wordt de metalen contactpunten van de batterijen en van de lader in de radio van tijd tot tijd te reinigen met een contactspray speciaal voor elektronica.
11. Nooit oude en nieuwe oplaadbare batterijen door elkaar gebruiken.
12. Nooit oplaadbare en niet-oplaadbare batterijen door elkaar gebruiken.
13. Nooit lege en volgeladen oplaadbare batterijen door elkaar gebruiken.
14. Nooit batterijen door elkaar gebruiken met een verschillende capaciteit (mAh).
15. Nooit beschadigde, misvormde of lekkende batterijen gebruiken.
16. De indicatie van het batterijniveau (batterijpictogram op het display) is een indicatie bij benadering en deze kan verschillen afhankelijk van het gebruikte type batterijen.
17. De batterijen kunnen warm worden tijdens het opladen.
18. In koude omstandigheden zal de capaciteit van batterijen lager zijn dan bij normale kamertemperatuur.
19. Batterijen vallen, als zijnde verbruiksgoederen, niet onder de garantiebepalingen zoals deze gelden voor de radio.
20. Het wordt aangeraden om oplaadbare batterijen van Perfectpro te gebruiken, omdat de radio en de interne oplader ontwikkeld zijn voor deze batterijen.
21. Batterijen mogen niet bij het normale huisvuil worden aangeboden of worden verbrand als afval.
22. Breng uw niet-herlaadbare batterijen bij voorkeur naar een verzamelstation voor verwerking van batterijen.

## Eerste gebruik van de radio

1. Plaats uw radio op een vlak oppervlak.
2. Zorg dat de antenne goed vast zit voor een optimaal ontvangst.
3. Steek de stekker in het stopcontact. De radio zal vanzelf opstarten en enkele seconden in de display “WELCOME TO DIGITAL RADIO” aangeven. Hierna zal na de tijd in het display worden weergegeven.
4. Als er geen tijd wordt weergegeven, worden “--:--:--” en “Time is not set” weergegeven op het display. Druk dan op de Aan/uit knop om de radio in te schakelen en voer een scan uit zoals verderop wordt beschreven.

### **BELANGRIJK:**

De stekker wordt gebruikt om de radio aan te sluiten op het lichtnet. Het stopcontact dat wordt gebruikt voor de radio moet bereikbaar blijven tijdens gebruik. Om de radio volledig los te koppelen van het lichtnet, moet de stekker uit het stopcontact worden gehaald.

## De radio gebruiken – DAB

1. Druk op de Aan/uit knop om de radio in te schakelen.
2. Druk op de Audiobron knop om de DAB band te selecteren.
3. Wanneer dit de eerste keer is dat de radio wordt gebruikt zal er een snelle scan van de DAB Band III worden uitgevoerd. Wanneer u de radio eerder heeft gebruikt wordt de laatst geluisterde zender geselecteerd.
4. Tijdens het scanproces zal de zenderteller worden opgehoogd als er nieuwe zenders worden gevonden en de zenders zullen worden toegevoegd aan de lijst die is opgeslagen in de radio. Het afgebeelde balkje geeft de voortgang van de scan aan.
5. Als het scannen is voltooid, zal de radio de gevonden zenders tonen (in alfabetische volgorde 0...9...A...Z).
6. Als de zenderlijst na de het automatisch afstemmen nog steeds leeg is, geeft de radio enkele seconden de melding "No DAB Station" weer en vervolgens schakelt de radio automatisch over naar het DAB-menu.
7. Als er geen zenders worden gevonden dan kan het nodig zijn om uw radio te verplaatsen, naar een plaats met betere ontvangst.

### Opmerking:

De zendernamen en frequenties weergegeven in deze handleiding kunnen afwijken van de zendernamen en frequenties die u ziet op het display van uw radio. Zenders kunnen hun zendernaam tussentijds veranderen. Daarnaast zijn de DAB en FM frequenties niet in alle gebieden hetzelfde.

## Een zender selecteren – DAB

1. Druk op de Aan/uit knop om de radio in te schakelen.
2. Druk op de Audiobron knop om de DAB band te selecteren. Het display geeft de naam van de huidige zender weer.
3. Draai aan de Tuning knop om door de lijst van beschikbare zenders te bladeren.
4. Druk op de Tuning knop om de weergegeven zender te selecteren. Het display geeft dan "Connecting..." weer wanneer uw radio de gekozen zender zoekt.
5. Pas desgewenst het volume aan met de Volume knop.

**Opmerking:** Wanneer na het selecteren van een zender de zender niet kan worden gevonden is het raadzaam uw radio te verplaatsen om de ontvangst te verbeteren.

## Secundaire diensten – DAB

1. Sommige DAB-zenders hebben één of meer secundaire diensten. Als een radiozender een secundaire dienst heeft, dan zal het display in de zenderlijst ">>" naast de zendernaam tonen. De secundaire dienst zal dan direct na de primaire dienst worden getoond zodra u op de Tuning knop drukt.
2. Druk op de Afstemknop om de zender te selecteren. De meeste secundaire diensten worden niet continu uitgezonden en als de geselecteerde dienst niet beschikbaar is, zal de radio opnieuw afstemmen op de bijbehorende primaire dienst.

## Weergave opties – DAB

Uw radio heeft verschillende weergave-opties in de DAB-modus:

1. Druk op de Info knop om door de verschillende opties te bladeren:

- a. Tekst (DLS) Toont tekstberichten zoals de artiest of tracknaam, telefoonnummer, verkeersinformatie, etc.
- b. DL Plus-tekst Sommige zenders bieden naast de normale tekst ook andere informatie over het programma die kan worden weergegeven. Als deze tekst niet beschikbaar is, wordt de melding "geen info" weergegeven op het display.
- c. Programmatype Toont het soort zender waar naar geluisterd wordt, zoals pop, klassiek, nieuws, etc.
- d. Multiplexnaam Toont de naam van de DAB-multiplex waartoe de huidige zender behoort.
- e. Tijd en datum Toont de huidige tijd en datum.
- f. Kanaal & frequentie Toont de frequentie en het kanaalnummer voor de DAB-zender waarop is afgestemd.
- g. Bitrate / audiotype Toont de digitale bitrate en de informatie over de audiocodering voor de huidige zender.
- h. Signaalsterkte Toont de signaalsterkte van de huidige zender. De ongevolde vierkante indicatie vakjes geven de minimale signaalsterkte aan voor een goed ontvangst.

## Nieuwe zenders zoeken – DAB

Er kunnen van tijd tot tijd nieuwe DAB-zenders beschikbaar komen. Het is ook mogelijk dat u bent verhuisd naar een ander deel van het land. In dit geval is het mogelijk dat u de radio moet laten scannen naar nieuwe zenders.

1. Om een volledige scan uit te voeren op de hele DAB Band III-frequenties druk op de Info/Menu knop en houd deze 2 seconden ingedrukt. Op het display wordt "Full scan" weergegeven.
2. Druk op de Tuning knop om te starten. Tijdens het scanproces zal de zenderteller worden opgehoogd als er nieuwe zenders worden gevonden en de zenders zullen worden toegevoegd aan de lijst die is opgeslagen in de radio. Het afgebeelde balkje geeft de voortgang van de scan aan.

## Handmatig afstemmen – DAB

U kunt met handmatig afstemmen uw radio laten afstemmen op een specifieke DAB-frequentie op Band III.

1. Druk op de Info/Menu knop en houd deze 2 seconden ingedrukt. Op het display wordt "Full scan" weergegeven.
2. Draai aan de Tuning knop tot "Manual Tune" wordt weergegeven. Druk op de Tuning knop om de modus voor handmatig afstemmen te openen. Draai aan de Tuning knop om het gewenste DAB-kanaal te selecteren. Druk daarna op de Tuning knop om uw keuze te bevestigen.

## Dynamic Range Control (DRC) – DAB

De DRC-functie kan zachte geluiden makkelijker hoorbaar maken wanneer uw radio wordt gebruikt in een lawaaige omgeving.

1. Druk op de Info/Menu knop en houd deze 2 seconden ingedrukt. Op het display wordt "Full scan" weergegeven.
2. Draai aan de Tuning knop tot "DRC Value" wordt weergegeven. Druk op de Tuning knop om te bevestigen.
3. Draai aan de Tuning knop om de gewenste DRC-instelling te selecteren. (standaard staat deze op "off").  
DRC Off DRC staat uit, geen compressie toegepast (standaard).  
DRC High DRC staat hoog, maximale compressie toegepast.  
DRC Low DRC staat laag, lage compressie toegepast.
4. Druk op de Tuning knop om uw keuze te bevestigen.

### Opmerking:

Niet alle DAB-uitzendingen kunnen gebruik maken van de DRC- functie. Als de uitzending geen ondersteuning biedt voor DRC, dan heeft het instellen van DRC op de radio geen effect.

## Instellen zendervolgorde - DAB

Uw radio heeft 2 instellingen voor de zendervolgorde. De instellingen voor de zendervolgorde zijn: alfanumeriek en ensemble.

### Opmerking:

Standaard staat uw radio ingesteld op Alfanumerieke volgorde.

1. Druk op de Aan/uit knop om de radio in te schakelen.
2. Druk op de Audiobron knop om de DAB band te selecteren.
3. Druk op de Info/Menu knop en houd deze 2 seconden ingedrukt. Op het display wordt "Full scan" weergegeven.
4. Draai aan de Tuning knop tot "Station order" wordt weergegeven. Druk op de Tuning knop om verder te gaan.
5. Draai aan de Tuning knop om te kiezen tussen "Alphanumeric" of "Ensemble".  
"Alphanumeric" – de zenderlijst wordt alfanumeriek gesorteerd 0...9 A...Z.  
"Ensemble" – de zenderlijst wordt geselecteerd op basis van het DAB-multiplex.  
De huidige instelling wordt aangegeven met een asterisk (\*).
6. Druk op de Tuning knop om uw keuze te bevestigen.

## Niet-beschikbare zenders verwijderen (Prune) - DAB

Als u zich verplaatst naar een ander gebied of land kunnen bepaalde zenders niet meer beschikbaar zijn. Ook kunnen bepaalde zenders stoppen met uitzenden of van frequentie veranderen. Zenders die niet meer gevonden worden, staan in de zenderlijst weergegeven met een vraagteken (?). De "Prune" functie verwijdert dan de niet beschikbare zenders uit uw zenderlijst.

1. Druk op de Info/Menu knop en houd deze 2 seconden ingedrukt. Op het display wordt "Full scan" weergegeven.
2. Draai aan de Tuning knop tot "Prune" wordt weergegeven. Druk op de Tuning knop om verder te gaan. Draai aan de Tuning knop om "Yes" (Ja) of "No" (Nee) te kiezen. Om de Prune functie te starten kiest u "Yes" en druk op de Tuning knop om uw keuze te bevestigen.
3. Wilt u de Prune functie niet starten kies dan "No" en druk op de Tuning knop om uw keuze te bevestigen.

### Opmerking:

Als u bent verhuisd naar een ander deel van het land, dan moet u ook een scan naar nieuwe zenders uitvoeren (zie de paragraaf "Nieuwe zenders zoeken" hierboven).

## De radio gebruiken – FM

1. Druk op de Aan/uit knop om de radio in te schakelen.
2. Druk op de Audiobron knop om de FM band te selecteren.
3. Draai de Tuning knop met de klok mee. De weergegeven frequentie neemt toe. Druk daarna op de Tuning knop om automatisch af te stemmen op een zender. Uw radio zoekt nu vanaf de huidige frequentie op de FM-band naar zenders met een hogere frequentie en stopt automatisch met scannen als er een zender met voldoende signaalsterkte wordt gevonden. Draai de Tuning knop tegen de klok in en druk daarna op de Tuning knop om naar zenders met een lagere frequentie te scannen. Uw radio zoekt nu vanaf de huidige frequentie op de FM-band naar zenders met een lagere frequentie en stopt automatisch met scannen als er een zender met voldoende signaalsterkte wordt gevonden. Het display zal na enkele seconden worden bijgewerkt. Het display toont de frequentie van de gevonden zender. Als het signaal sterk genoeg is en er RDS-gegevens aanwezig zijn, dan kan de radio de zendernaam tonen.
4. Wanneer het einde van het frequentiebereik is bereikt, begint de radio opnieuw te zoeken vanaf het tegenovergestelde einde van het frequentiebereik.
5. Pas desgewenst het volume aan met de Volume knop.
6. Om uw radio uit te schakelen drukt u op de Aan/uit knop.

## Manuele afstemming – FM

1. Druk op de Aan/uit knop om de radio in te schakelen.
2. Druk op de Audiobron knop om de FM band te selecteren.
3. Draai aan de Tuning knop om de gewenste frequentie te selecteren. De frequentie gaat in stappen van 50 kHz. Wanneer het einde van het frequentiebereik is bereikt, begint de radio opnieuw te zoeken vanaf het tegenovergestelde einde van het frequentiebereik.
4. Pas desgewenst het volume aan met de Volume knop.
5. Om uw radio uit te schakelen drukt u op de Aan/uit knop.

## Weergave opties – FM

Uw radio heeft verschillende weergave-opties in de FM-modus:

1. Druk op de Info knop om door de verschillende opties te bladeren:
  - a. Tekst (DLS) Toont tekstberichten zoals de artiest of tracknaam, telefoonnummer, verkeersinformatie, etc.
  - b. Programmatype Toont het soort zender waarnaar geluisterd wordt, zoals pop, klassiek, nieuws, etc.
  - c. Frequentie Toont de frequentie van de huidige zender.
  - d. Stereo/Mono Toont of de zender wordt ontvangen in stereo of in mono.
  - e. Tijd en datum Toont de huidige tijd en datum.

**Opmerking:** Als er geen RDS-informatie beschikbaar is, dan kan de radio geen zendernaam, scrollende tekst en informatie over het programma- type tonen.

## Instellen scangevoeligheid – FM

Uw radio heeft een optie voor het zoeken naar lokale/verre zenders met de automatische scanfunctie. Door de optie in te stellen op lokaal scannen, kunnen zwakkere signalen van zenders die verder weg zijn worden genegeerd door de radio, waardoor sterke signalen eenvoudiger gevonden kunnen worden.

1. Druk op de Aan/uit knop om de radio in te schakelen.
2. Druk herhaaldelijk op de Audiobron knop totdat de FM-band is geselecteerd.
3. Druk op de Info/Menu knop en houd deze 2 seconden ingedrukt om naar het FM menu te gaan. Draai aan de Tuning knop tot "FM Scan Zone" wordt weergegeven. Druk op de Tuning knop om uw keuze te bevestigen. De huidige instelling wordt aangegeven met een asterisk (\*).
4. Draai aan de Tuning knop om te kiezen tussen "Local" (alleen zenders met een sterk signaal) en "Distant" (alle zenders) op de onderste regel van het display. De radio kan, wanneer er gekozen wordt voor de optie "Distant", tijdens het scannen ook zenders met een zwakker signaal vinden.
5. Druk op de Tuning knop om uw keuze te bevestigen. De instelling wordt opgeslagen en blijft van kracht tenzij veranderd of er een systeemreset wordt uitgevoerd.

NL

## Voorkeurszenders instellen – DAB en FM

De radio beschikt in totaal over 10 voorkeurszenders, 5 voor DAB en 5 voor FM.

1. Druk op de Aan/uit knop om de radio in te schakelen.
2. Stem af op de gewenste zender.
3. Houd de knop van een voorkeurszender ingedrukt tot het display bijvoorbeeld de melding "Preset 2 stored" weergeeft. De zender wordt opgeslagen onder het gekozen voorkeurszendernummer. Het bijbehorende voorkeurszendernummer, b.v. "P2" wordt weergegeven in het display. Herhaal deze procedure indien gewenst voor de resterende voorkeurszenders.
4. Zenders die al zijn opgeslagen in het geheugen kunnen worden overschreven door de bovenstaande procedure te volgen.

## Een voorkeurszender oproepen – DAB en FM

1. Druk op de Aan/uit knop om de radio in te schakelen.
2. Druk op de Audiobron knop om de FM of DAB band te selecteren.
3. Druk op de knop van een voorkeurszender om af te stemmen op de zender die is opgeslagen onder de desbetreffende voorkeurszender.

### Opmerking:

Het display toont de tekst "Preset Empty" als er geen zender is opgeslagen onder de gekozen voorkeurszender.



## Luisteren naar Bluetooth-muziek

U moet uw Bluetooth-apparaat koppelen met uw radio voordat u de verbinding tot stand kunt brengen en kunt starten met het afspelen/streamen van Bluetooth muziek via uw radio. Koppelen creëert een permanente “band” waardoor twee apparaten elkaar kunnen herkennen.

### Uw Bluetooth-apparaat voor het eerst koppelen

1. Druk op de Audiobron knop om de Bluetooth functie te selecteren. Op het display wordt “Bluetooth Pairing” weergegeven.
2. Activeer Bluetooth op uw apparaat volgens de handleiding om verbinding te maken met de radio. Ga naar de Bluetooth-apparatenlijst en selecteer het apparaat met de naam “DABPRO 2” (Bij sommige mobiele apparaten die zijn uitgerust met Bluetooth versie 2.1 of ouder moet u mogelijk het wachtwoord “0000” invoeren).
3. Zodra de apparaten zijn verbonden, klinkt er een bevestigende toon en de naam van het verbonden Bluetooth-apparaat wordt weergegeven op het display. U kunt nu simpelweg muziek selecteren en afspelen op uw bronapparaat. Het volume kan worden ingesteld op uw bronapparaat of rechtstreek op de radio.
4. Gebruik de bediening op uw Bluetooth-apparaat of gebruik de bediening op de radio om te starten/stoppen en om de vorige of volgende track te selecteren.

### Opmerking:

- 1) Als er 2 Bluetooth-apparaten, bij het koppelen voor de eerste keer, naar uw radio zoeken, dan wordt de radio op beide apparaten als beschikbaar getoond. Als er echter één apparaat verbinding maakt met de radio, zal het andere Bluetooth-apparaat de radio niet vinden in de lijst.
- 2) Als het Bluetooth-apparaat buiten het Bluetooth-bereik van de radio wordt verplaatst, dan zal de Bluetooth-verbinding met de radio tijdelijk worden verbroken. Uw radio zal automatisch opnieuw verbinding maken met het Bluetooth-apparaat als het weer binnen bereik komt. Houd er rekening mee dat er in de periode dat de verbinding is verbroken geen andere Bluetooth-apparaten mogen koppelen of verbinden maken met de radio.
- 3) Als “DABPRO 2” wordt getoond in de lijst met Bluetooth-apparaten, maar u geen verbinding kunt maken met de radio, verwijder het item dan uit de lijst en koppel het apparaat nogmaals met de radio door de eerder beschreven stappen te volgen.
- 4) Het effectieve bereik tussen het systeem en het gekoppelde apparaat is ongeveer 10 meter (30 voet). Eventuele obstakels tussen het systeem en het apparaat kunnen het bereik reduceren.
- 5) De prestaties van Bluetooth-connectiviteit kunnen variëren, afhankelijk van de verbonden Bluetooth-apparaten. Bekijk de Bluetooth-mogelijkheden die uw apparaat biedt voordat u verbinding maakt met de radio. Het is mogelijk dat niet alle functies worden ondersteund op sommige gekoppelde Bluetooth-apparaten.
- 6) Sommige mobiele telefoons kunnen de verbinding met de radio verbreken wanneer er oproepen worden gemaakt of ontvangen. Sommige apparaten kunnen het geluid van de Bluetooth-audiostream tijdelijk uitschakelen wanneer er sms'jes of e-mails worden ontvangen of voor andere redenen die niets met het streamen van audio te maken hebben. Dergelijk gedrag is een functie van het Bluetooth-apparaat en duidt niet op een fout met uw radio.

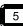


## Weergave opties - Bluetooth

Uw radio heeft verschillende weergave-opties in de Bluetooth-modus:

Druk op de Info knop om door de verschillende opties te bladeren: Als uw verbonden apparaat gegevens kan verstrekken over de track die wordt afgespeeld, kan uw radio de volgende gegevens weergeven in de Bluetooth-modus: tracknaam, genre, artiest, tijd en datum, album en afspeelduur.

## Audiobestanden afspelen in de Bluetooth-modus

Als u uw radio succesvol heeft verbonden met het gekozen Bluetooth-apparaat, dan kunt u het afspelen van muziek starten met behulp van de bedieningselementen van het verbonden Bluetooth-apparaat.

1. Zodra het afspelen is gestart, kunt u het volume naar wens instellen met behulp van de Volumeregeling op uw radio of op uw Bluetooth-apparaat.
2. Gebruik de bedieningselementen op uw apparaat om het afspelen te starten/pauzeren en naar de gewenste track te gaan. Als alternatief kunt u het afspelen ook bedienen met de knoppen Play/Pause  , Volgende track  , Vorige track  op de radio.

### Opmerking:

Het is mogelijk dat niet alle afspeelapplicaties of apparaten reageren op alle bedieningselementen.

## Afspelen vanaf apparaten waarmee eerder is gekoppeld

Dit apparaat kan tot 6 apparaten onthouden waarmee eerder is gekoppeld. Als er met meer dan 6 apparaten is gekoppeld, dan zal het apparaat waarmee het langst niet is gekoppeld worden gewist uit het geheugen.

De radio onthoudt de Bluetooth-apparaten waarmee eerder verbinding is gemaakt en zal automatisch proberen om te koppelen met het apparaat waarmee het laatst verbinding is gemaakt. Als dit apparaat niet beschikbaar is, dan kan de radio worden gedetecteerd met Bluetooth.

## De verbinding met uw Bluetooth-apparaat verbreken

Druk op Source om een andere band dan de Bluetooth-band te selecteren. U kunt als alternatief ook de Bluetooth knop ingedrukt houden om de verbinding te verbreken.

Als u de verbinding met het Bluetooth-apparaat verbreekt terwijl het apparaat in de Bluetooth-modus staat, dan zal het display "Bluetooth Pairing" weergeven om aan te geven dat het apparaat weer vindbaar en beschikbaar is om te koppelen.

## De klok instellen

### Het tijdformaat instellen

1. Druk op de Aan/uit knop om de radio in te schakelen.
2. Druk op de Info/Menu knop en houd deze 2 seconden ingedrukt om naar het menu te gaan. Draai aan de Tuning knop tot "System setting" wordt weergegeven. Druk op de Tuning knop om uw keuze te bevestigen.
3. Draai aan de Tuning knop tot "Time" wordt weergegeven en druk op de Tuning knop om te bevestigen.
4. Draai aan de Tuning knop tot "Set 12/24 hour" wordt weergegeven en druk op de Tuning knop om te bevestigen.
5. Draai aan de Tuning knop om 12- of 24-uursnotatie te selecteren en druk ter bevestiging van uw keuze op de Tuning knop. De geselecteerde notatie wordt gebruikt in de stand-bymodus en op het scherm van de afspeelmodus.

Als u voor 12-uursnotatie kiest, maakt de radio gebruik van de 12-uursklok met een achtervoegsel (AM/PM).

### Automatisch de klok instellen

Uw radio zal normaal gesproken de klok automatisch instellen d.m.v. het DAB- of FM-signaal. Wanneer er geen signaal beschikbaar is, kunt u de klok handmatig instellen.

Na een stroomonderbreking stelt de radio de klok automatisch opnieuw in wanneer de radio in DAB of FM modus wordt gestart. U kunt er ook voor kiezen om niet automatisch te updaten. U dient dan na een stroomonderbreking altijd de klok handmatig in te stellen.

1. Druk, wanneer de radio aan staat, gedurende 2 seconden op de Info/Menu knop om naar het menu te gaan.
2. Draai aan de Tuning knop tot "System setting" wordt weergegeven. Druk op de Tuning knop om uw keuze te bevestigen.
3. Draai aan de Tuning knop tot "Time" wordt weergegeven. Druk op de Tuning knop om uw keuze te bevestigen.
4. Draai aan de Tuning knop om "Set Time/Date" te selecteren en druk op de Tuning knop om de instelling te openen.
5. Draai aan de Tuning knop om "Auto" te selecteren en druk op de Tuning knop om de instelling te openen.
6. Draai aan de Tuning knop om te kiezen uit "Update from Any" "Update from DAB" of "Update from FM". Druk op de Tuning knop om uw keuze te bevestigen.

### Opmerking:

Nadat u "Update from Any", "Update from DAB" of "Update from FM" hebt gekozen, wordt de huidige ontvangen tijd weergegeven wanneer de radio is uitgeschakeld. Wanneer u onvoldoende ontvangst heeft voor weergave van de huidige tijd, verplaatst dan de radio of kies voor handmatig instellen van de klok.

## Handmatig de klok instellen

1. Druk, wanneer de radio aan staat, gedurende 2 seconden op de Info/Menu knop om naar het menu te gaan.
2. Draai aan de Tuning knop tot "System setting" wordt weergegeven. Druk op de Tuning knop om uw keuze te bevestigen.
3. Draai aan de Tuning knop tot "Time" wordt weergegeven. Druk op de Tuning knop om uw keuze te bevestigen.
4. Draai aan de Tuning knop tot "Set Time/Date" wordt weergegeven.
5. Draai aan de Tuning knop om "Manual" te selecteren en druk op de Tuning knop om de instelling te openen.
6. De uren cijfers knipperen op het display. Draai aan de Tuning knop om het gewenste uur in te stellen.
7. Druk op de Tuning knop om te bevestigen. De "minuten" knipperen. Draai de Tuning knop om de juiste minuten te kiezen.  
**OPMERKING:** Wanneer de radio op 12-uursformaat is ingesteld, is er een optie voor het instellen van AM of PM. Draai de Tuning knop om AM of PM te selecteren.
8. Druk op de Tuning knop om te bevestigen. De "dag" knippert, draai aan de Tuning knop om de juiste dag in te stellen.
9. Druk op de Tuning knop om te bevestigen. De "maand" knippert, draai aan de Tuning knop om de juiste maand in te stellen.
10. Druk op de Tuning knop om te bevestigen. Het "jaar" knippert, draai aan de Tuning knop om het juiste jaar te kiezen. Druk op de Tuning knop om te bevestigen. Het display zal "Time Saved" weergeven.

## Taal instellen

Standaard worden alle meldingen op het display weergegeven in Engels. U kunt dit aanpassen.

1. Druk op de Aan/uit knop om de radio in te schakelen.
2. Druk op de Info/Menu knop en houd deze 2 seconden ingedrukt.
3. Draai aan de Tuning knop tot "System setting" wordt weergegeven. Druk op de Tuning knop om uw keuze te bevestigen.
4. Draai aan de Tuning knop tot "Language" wordt weergegeven. Druk op de Tuning knop om uw keuze te bevestigen.
5. Draai aan de Tuning knop tot de gewenste taal wordt weergegeven. Druk op de Tuning knop om uw keuze te bevestigen. Het display zal nu de gewenste taal weergeven. De gekozen taal wordt gemarkeerd met een asterisk (\*).

## System reset

Als de radio niet correct functioneert of b.v. de weergave in de display ontbreekt, geheel of gedeeltelijk, voer dan de volgende procedure.

1. Druk op de Aan/uit knop om de radio in te schakelen.
2. Druk op de Info/Menu knop en houd deze 2 seconden ingedrukt.
3. Draai aan de Tuning knop tot "System setting" wordt weergegeven. Druk op de Tuning knop om uw keuze te bevestigen.
4. Draai aan de Tuning knop tot "Factory reset" wordt weergegeven. Druk op de Tuning knop om uw keuze te bevestigen.
5. Draai aan de Tuning knop om "Yes" Te kiezen om door te gaan of "No" om af te breken. Druk op de Tuning knop om uw keuze te bevestigen.
6. Wanneer uw voor "Yes" en op de Tuning knop drukt om te bevestigen, wordt er een volledige reset uitgevoerd. Het voorkeuze-gekeugen wordt gewist en alle instellingen worden terug gezet naar de zogenaamde "Fabrieksinstellingen". Na een systeem reset gaat de radio vanzelf aan en automatisch de DAB band scannen. In geval van storing ten gevolge van electro-statische ontlading, reset de radio als hierboven beschreven. Als dat niet werkt verwijder de stekker uit het stopcontact en verwijder de batterijen. Hierna kunt u de stekker opnieuw in het stopcontact steken en/of de batterijen opnieuw plaatsen.

## Aansluiting voor software update

Het is mogelijk dat er in de toekomst software- updates voor uw radio beschikbaar zijn. Als er software-updates beschikbaar zijn, dan kunt u deze updates en informatie over het updaten van de software vinden op [www.perfectpro.eu](http://www.perfectpro.eu)

Probeer uw radio nooit zelf te updaten tenzij uitdrukkelijk op aanwijzing van de Perfectpro Klantenservice. Bij een update gaan alle instellingen en opgeslagen zenders verloren.

Voor meer informatie neemt u contact op met ons hoofdkantoor door een e-mail te sturen naar: [info@perfectpro.eu](mailto:info@perfectpro.eu)

1. Gebruik een micro-USB-kabel (niet meegeleverd) om de USB-poort in het batterijencompartiment aan te sluiten op uw PC.
2. Druk, wanneer de radio aan staat, gedurende 2 seconden op de Info/Menu knop om naar het menu te gaan.
3. Draai de Tuning knop tot "System Setting" wordt weergegeven en druk op de Tuning knop om te bevestigen.
4. Draai de Tuning knop tot "Software Upgrade" wordt weergegeven en druk op de Tuning knop om te bevestigen. Standaard is "No" geselecteerd, wilt u toch updaten, draai aan de Tuning knop tot "Yes" wordt weergegeven en druk op de Tuning knop om uw keuze te bevestigen. Op het beeldscherm wordt "Waiting for PC wizard..." weergegeven.
5. Ga naar onze website, [www.perfectpro.eu](http://www.perfectpro.eu) en download de juiste software (indien beschikbaar) en volg de aanwijzingen op uw PC.
6. Wanneer u niet wilt updaten, kiest u in stap 4 voor "No" en druk op de Tuning knop om uw keuze te bevestigen.

### Opmerking:

Gebruik netstroom tijdens het uitvoeren van een update. Schakel de radio niet uit tot de update volledig is afgerond, dit kan uw radio ernstig beschadigen en mogelijk onbruikbaar maken.

## Software versie

De weergave van de softwareversie kan niet worden veranderd en dient alleen ter referentie.

1. Druk, wanneer de radio aan staat, gedurende 2 seconden op de Info/Menu knop om naar het menu te gaan.
2. Draai de Tuning knop tot "System Setting" wordt weergegeven en druk op de Tuning knop om uw keuze te bevestigen.
3. Draai de Tuning knop tot "SW Version" wordt weergegeven en druk op de Tuning knop om uw keuze te bevestigen. De software versie wordt nu weergegeven op het display.
4. Druk op de Info/menu knop om af te sluiten.

NL

## Aux ingang

Achter de rubberen afdekking bevindt zich een 3,5mm stereo Aux in ingang voor het aansluiten van een extern audio-apparaat zoals bijv. een MP3-speler of een CD-speler (niet meegeleverd bij de radio).

1. Verbind een audiobron met de Aux ingang.
2. Druk op de Audiobron knop om de Aux in-modus te selecteren. Het display toont de melding "AUX IN".
3. Speel de externe speler af.
4. Pas desgewenst het volume van de speler en/of de radio in op het gewenste niveau.

**Opmerking:** Zorg ervoor dat de rubberen afdekking na het gebruik weer goed wordt gesloten, zodat er geen vocht of vuil in de radio kan binnendringen.

Gebruik de Aux ingang nooit in de regen of in een vochtige omgeving om te voorkomen dat er vocht binnendringt in de radio! Houd de rubberen afdekking altijd gesloten in deze omstandigheden.

**VEILIGHEIDS- EN OMGEVINGS OPMERKING:** Om mogelijke gehoorschade te voorkomen niet op een hoog volume gedurende lange periode luisteren of uw oren te dicht bij de speaker houden.

Gebruik een volumeniveau dat verantwoord is, maar zeker ook op respectabele wijze rekening houdt met de situatie en andere mensen en dieren in de omgeving.

## Garantie

Dit product heeft 2 jaar garantie.

**WAARSCHUWING! De garantie vervalt indien de behuizing van het apparaat geopend is of indien het apparaat door de eindgebruiker op enigerlei wijze gemodificeerd of veranderd is!**

De voorwaarde van de garantie van deze radio dekken niet de volgende zaken:

- Schade, beschadiging en breuk veroorzaakt door verkeerd gebruik, misbruik, verwaarlozing, wijzigingen, ongevallen of ongeautoriseerde reparaties.
- Normale gebruiksslijtage.
- Batterijen.

Open nooit de behuizing. De producent aanvaardt geen aansprakelijkheid voor schade en/of letsel veroorzaakt door onjuist gebruik. Het typeplaatje vindt u op de achterzijde van het apparaat.

## Specificaties

### Stroombron

Netstroom: 100-240V ~ 50/60Hz 24W

Batterijen: 4 x AM-2 (maat C, LR14), alkaline of Ni-MH-batterijen

### Frequentiebereik:

FM 87.50 – 108 MHz

DAB 174.928 – 239.200 MHz

### Bluetooth

Bluetooth-specificatie

Ondersteunde profielen

Bluetooth Audio CODEC

Zendvermogen

Bereik

De frequentie en het maximale uitgezonden vermogen 2402MHz ~ 2480MHz: +4dBm (Bluetooth EDR)

Bluetooth® 5.0+EDR

A2DP, AVRCP1.4

SBC, AAC

Vermogensklasse 2

10 meter/30 voet

### Elektronische eigenschappen:

Luidspreker: 3 inch 8 ohm 5W volledig bereik, waterdicht.

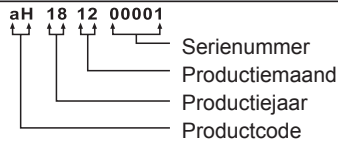
Vermogen: 2 Watt 10% T.H.D. @ 100Hz @ DC batterij 6V

4 Watt 10% T.H.D. @ 100Hz @ AC 230V of 120V

Aux-in-niveau: 200±70 mVrms (nominale niveau), 1Vrms (max.)

**Bedrijfs-temperatuur-bereik:** 0°C tot +35°C

### ※ De streepjescode van de radio is als volgt opgebouwd:



*Het bedrijf behoudt zich het recht voor om de specificaties te wijzigen zonder voorafgaande kennisgeving.*



*Als u zich op enig moment in de toekomst wenst te ontdoen van dit product, houd er dan rekening mee dat elektrische afvalproducten niet mogen worden weggegooid met het normale huisvuil. Recycle waar mogelijk. Neem contact op met de gemeente of de winkelier voor recycleadvies. (Richtlijn afgedankte elektrische en elektronische apparatuur)*



Die Bluetooth® Wortmarke und Logos sind eingetragene Warenzeichen der Bluetooth SIG, Inc., und jede Verwendung dieser Marken durch die Perfectpro B.V. erfolgt unter Lizenz.

**WARNUNG!**

DIE GARANTIE ERLISCHT, WENN DAS GEHÄUSE DES GERÄTS GEÖFFNET WIRD ODER JEDWEDE MODIFIKATIONEN ODER ÄNDERUNGEN AM URSPRÜNGLICHEN GERÄT VORGENOMMEN WERDEN.

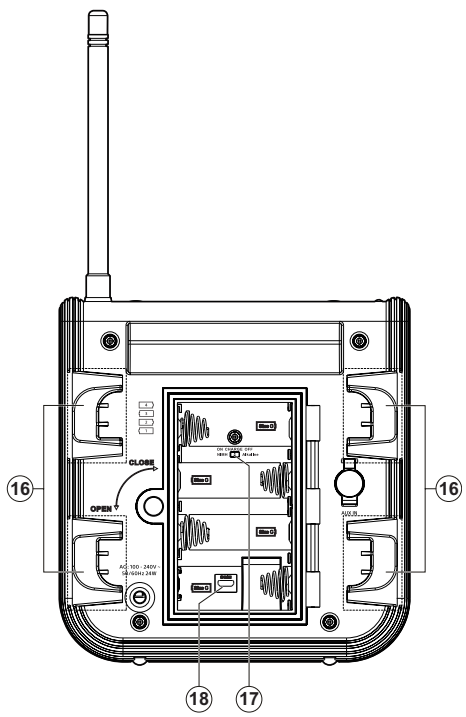
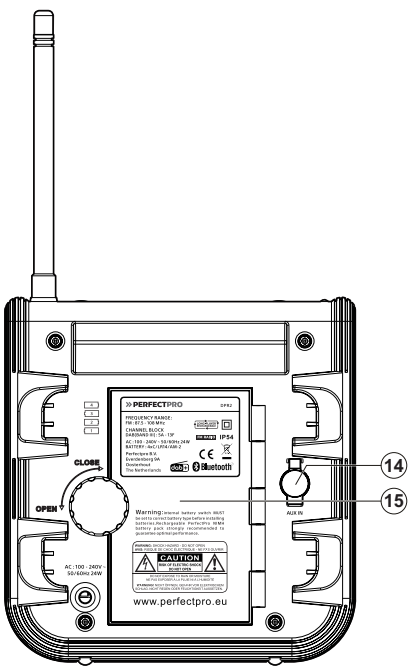
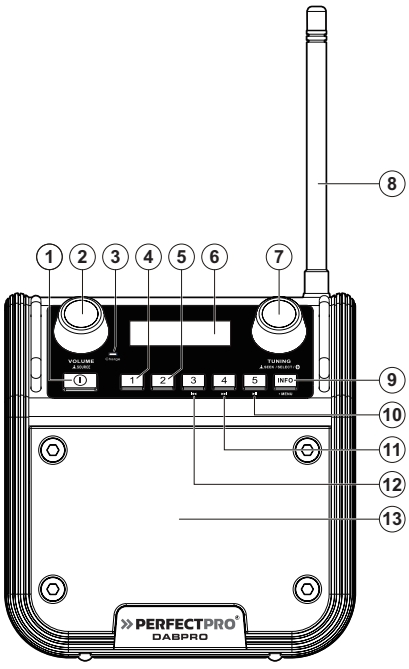
ÖFFNEN SIE NIEMALS DAS GEHÄUSE DES GERÄTS. DER HERSTELLER ÜBERNIMMT KEINE HAFTUNG FÜR SCHÄDEN, DIE AUF EINEN UNSACHGEMÄSSEN UMGANG ZURÜCKZUFÜHREN SIND. DAS TYPENSCHILD BEFINDET SICH AUF DER RÜCKSEITE DES GERÄTS.



## WICHTIGE SICHERHEITSHINWEISE

1. Lesen Sie diese Anleitung.
2. Bewahren Sie diese Anleitung auf.
3. Beachten Sie alle Warnungen.
4. Beachten Sie alle Anweisungen.
5. Verwenden Sie dieses Gerät nicht in der Nähe von Wasser.
6. Reinigen Sie das Gerät ausschließlich mit einem trockenen Tuch.
7. Achten Sie darauf, die Belüftungsschlitze nicht zu blockieren. Folgen Sie bei der Montage den Anweisungen.
8. Platzieren Sie das Gerät nicht in der Nähe von Wärmequellen wie Heizkörpern, Wärmespeichern, Öfen oder anderen Geräten (einschließlich Verstärkern), die Wärme erzeugen.
9. Verhindern Sie, dass das Netzkabel eingeklemmt oder darauf getreten wird, insbesondere am Stecker, an den Steckdosen und an der Stelle, an der das Kabel aus dem Gerät austritt.
10. Benutzen Sie nur vom Hersteller empfohlene Erweiterungen/Zubehörteile.
11. Das Gerät darf nur dann mit Wagen, Gestellen, Dreifüßen, Halterungen oder Tischen verwendet werden, wenn diese vom Hersteller angegeben oder zusammen mit dem Gerät verkauft werden. Wenn ein Wagen benutzt wird, muss darauf geachtet werden, dass das Gerät nicht zusammen mit dem Wagen umkippt und Verletzungen verursacht.
12. Trennen Sie das Gerät während eines Gewitters oder bei Nichtverwendung über einen längeren Zeitraum vom Netz.
13. Überlassen Sie alle Wartungsarbeiten qualifiziertem Fachpersonal. Eine Wartung ist erforderlich, wenn das Gerät in irgendeiner Weise beschädigt wurde, falls zum Beispiel das Stromversorgungskabel oder der Stecker beschädigt ist, Flüssigkeit verschüttet wurde oder Gegenstände in das Gerät gefallen sind, das Gerät Regen oder Feuchtigkeit ausgesetzt wurde, nicht ordnungsgemäß funktioniert oder fallengelassen wurde.
14. Um die Gefahr von Bränden oder elektrischen Schlägen zu verringern, darf dieses Gerät nicht Regen oder Feuchtigkeit ausgesetzt werden. Um bei Gebrauch im Freien das Risiko eines elektrischen Schlages zu vermeiden, nutzen Sie an regnerischen Tagen oder bei nassem Wetter nur den Akku. Dieses Gerät ist gegen Spritzwasser und eindringenden Staub (IP54) geschützt.
15. Ein Stromschlaggefahrsymbol und ein grafisches Warnsymbol sind zur Warnung auf der Geräterückseite angebracht.
16. Das Produkt darf nicht ins Wasser fallen und keinem Spritzwasser ausgesetzt werden und es dürfen keine mit Wasser gefüllten Gegenstände auf das Gerät gestellt werden.
17. Der Netzstecker sollte sich immer möglichst nahe am Gerät befinden und leicht zugänglich sein, damit in Nottfällen, um den Strom vom Gerät zu trennen, lediglich der Netzstecker aus der Steckdose gezogen werden muss.
18. **Hinweis:**  
Änderungen oder Modifikationen, die nicht vom Compliance-Verantwortlichen ausdrücklich genehmigt sind, können die Zulassung zum Betrieb der Ausrüstung unwirksam machen.
19. Wenn der Netzstecker oder eine Steckdose zum Ein- und Ausschalten des Geräts benutzt wird, achten Sie bitte immer darauf, dass die Steckdose jederzeit für den Benutzer erreichbar bleibt.
20. Eine Warnung, dass Akkus (Akkupack oder eingesetzte Akkus) keiner extremen Hitze wie z. B. Sonnenschein, Feuer o. ä. ausgesetzt werden dürfen.
21. Um mögliche Hörschäden zu vermeiden, sollten Sie nicht für längere Zeit hohe Lautstärken hören.





## Bedienelemente

- ① Ein-/Aus-Taste
- ② Lautstärkeregler/Quelleentaste
- ③ LED-Ladeanzeige
- ④ Senderspeicher 1
- ⑤ Senderspeicher 2
- ⑥ LCD-Display
- ⑦ Drehregler/Wahlknopf/Bluetooth-Kopplungstaste
- ⑧ UKW-/ DAB-Antenne
- ⑨ Taste Info/Menü
- ⑩ Senderspeicher 5/Taste Wiedergabe/Pause
- ⑪ Senderspeicher 4/Nächster Titel/Schneller Vorlauf
- ⑫ Senderspeicher 3/Vorheriger Titel/Schneller Rücklauf
- ⑬ Lautsprecher
- ⑭ Aux-Eingangsbuchse
- ⑮ Akkufach
- ⑯ Netzkabel-Aufbewahrung
- ⑰ Schalter NiMH-/Alkali-Batterien
- ⑱ Buchse für Software-Aktualisierung

## Stromversorgung des Radios

### 1. Akkubetrieb

Batterien installieren: Drehen Sie die Batteriefachabdeckung entgegen dem Uhrzeigersinn, um die Abdeckung zu lösen und abzunehmen.

#### Hinweis:

Überprüfen Sie vor dem Einlegen der Akkus die Position des Schalters NiMH-/ Alkali-Batterien. Falls Sie nicht wiederaufladbare Batterien verwenden, dann stellen Sie den Schalter im Inneren des Akkufachs auf die Position Alkali-Batterien. Falls Sie wiederaufladbare Batterien verwenden, dann stellen Sie den Schalter auf die NiMH-Position.

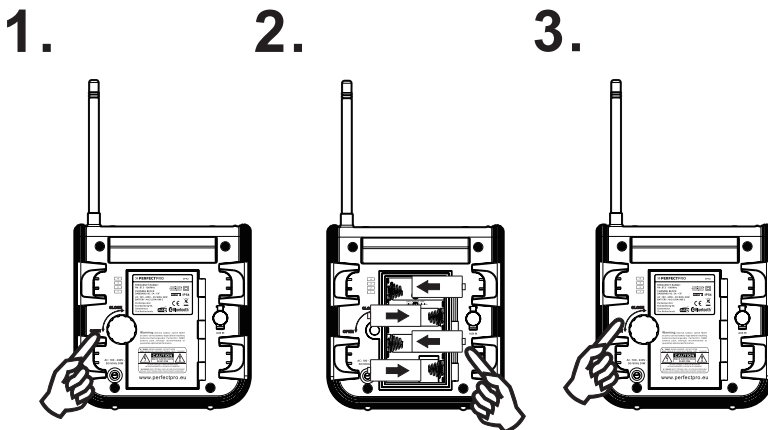
Legen Sie 4x Batterien des Typs C (AM2) in das Batteriefach ein.

Stellen Sie sicher, dass die Akkus gemäß dem dargestellten Diagramm eingesetzt werden.

Schließen Sie die Akkufachabdeckung und ziehen Sie die Befestigung durch Drehen im Uhrzeigersinn an.

Wenn das Radio über einen längeren Zeitraum hinweg nicht verwendet wird, wird empfohlen, die Akkus aus dem Radio zu entnehmen.

Eine nachlassende Leistung, Störungen, „stotternde Geräusche“ oder das Blinken des Batteriesymbols niedriger Kapazität im Display sind alles Anzeichen dafür, dass die Akkus ersetzt oder aufgeladen werden müssen.



Während des Betriebs mit (wiederaufladbaren) Batterien ist die Ausgangsleistung niedriger als im Vergleich zum Netzbetrieb. Es ist daher möglich, dass bei der höchsten Lautstärkeinstellung der Ton leicht verzerrt ist.


### 2. Netzbetrieb

Stellen vor dem Anschließen des Netzsteckers an der Netzsteckdose sicher, dass die elektrische Spannung richtig ist. Wenn sich Akkus im Radio befinden und Sie das Netzkabel verwenden, wird die Stromversorgung durch die Akkus automatisch unterbrochen.

Das Netzkabelstafach ist speziell dafür konzipiert, das Kabel aufzunehmen, wenn das Radio nicht verwendet wird.

## Laden der Akkus

Eine nachlassende Leistung, Störungen, „stotternde“ Geräusche oder ein blinkendes Batteriesymbol im LCD sind alles Anzeichen dafür, dass die Akkus geladen oder ersetzt werden müssen.



BATTERY LOW!

CHECK BATTERY 4

### Hinweis:

Sie können die Batterien aufladen, während das Radio ein- oder ausgeschaltet ist. Schließen Sie das AC-Netz Kabel an eine AC-Steckdose an, um die Batterien aufzuladen. Vergewissern Sie sich, dass der Schalter NiMH-/ Alkali-Batterien auf der NiMH-Position steht. Während der Aufladung blinkt die LED-Ladeanzeige grün. Je nach Kapazität der zu ladenden Akkus kann es bis zu 7 Stunden dauern, bis die Akkus vollständig geladen sind. Nach vollständiger Aufladung leuchtet die LED-Ladeanzeige stetig grün. Falls ein Akku während des Ladevorgangs als fehlerhaft/beschädigt erfasst wird, blinkt die LED-Ladeanzeige rot. Das Radio kann erkennen, welche Akkus defekt sind oder einen Ladedefekt verursachen (die Abbildung rechts weist z.B. darauf hin, dass Akku 4 defekt/beschädigt ist). Falls das Radio eine oder mehrere Akkus als defekt erkennt, müssen die betroffenen Akkus entfernt oder ersetzt werden, damit die LED-Ladeanzeige nicht mehr rot blinkt.

### Hinweis:

Laden Sie die Akkus vor der erstmaligen Verwendung vollständig auf. Die Dauer bis zur vollständigen Aufladung kann je nach mAh-Kapazität der Akkus variieren. Akkus mit höherer Kapazität benötigen eine längere Ladedauer.

**INSTALLIEREN SIE NUR BEREITS GELADENE (MIT GLEICHER SPANNUNG) NIMH-BATTERIEN MIT „NIEDRIGER SELBSTENTLADUNG“. ES WIRD EMPFOHLEN, NUR ORIGINALBATTERIEN VON PERFECTPRO ZU VERWENDEN.**

## WICHTIGE INFORMATIONEN ZUM LADEN UND VERWENDEN VON (WIEDERAUFLADBAREN) AKKUS

1. Laden Sie die Akkus mindestens alle zwei Monate auf.
2. Der Schalter NiMH-/ Alkali-Batterie im Inneren des Batteriefachs muss auf der Position „NiMH“-Position stehen.
3. Achten Sie beim Einsetzen der Akkus in das Akkufach auf die richtige Polarität der Akkus (+ und -).
4. Inbetriebnahme: Laden Sie die neuen Akkus in einem kontinuierlichen, ununterbrochenen Ladedurchgang vollständig auf. Der erste Ladevorgang kann länger dauern als normal. Für eine längere Akkulebensdauer wird empfohlen, das Laden stets in einem kontinuierlichen, ununterbrochenen Durchgang vorzunehmen und die Akkus erst wieder zu laden, wenn sie leer sind.
5. Neue Akkus erreichen erst nach einer gewissen Nutzungsdauer (mehreren Lade-/Entladezyklen) ihre volle Kapazität.
6. Belassen Sie die komplette Akkugruppe im Radio und verwenden Sie diese Akkus oder auch nur einige davon nicht für andere Zwecke. Ansonsten haben Sie einen Mix aus (vollständig) geladenen und (teilweise) leeren Akkus. Dadurch können die Akkus und das Radio während des Ladevorgangs schweren Schaden nehmen.

7. Es ist ratsam, die Akkus nur bei Raumtemperatur zwischen 5°C und 35°C zu laden. Bei niedrigeren oder höheren Temperaturen lässt sich keine vollständige Ladung erreichen.
8. Je nach Akkukapazität kann das Laden von „leer“ nach „voll“ mehrere Stunden, sogar bis zu 7 oder mehr, andauern.
9. Laden Sie die Akkus nicht, wenn das Radio heiß ist oder Wärme oder Wärmequellen ausgesetzt war.
10. Es wird empfohlen, die Metallkontakte der Akkus und des Ladegeräts im Radio von Zeit zu Zeit mit einem Kontaktspray zu reinigen.
11. Verwenden Sie nicht gleichzeitig alte und neue Akkus.
12. Verwenden Sie nicht gleichzeitig (aufladbare) Akkus und (nicht aufladbare) Batterien.
13. Verwenden Sie nicht gleichzeitig volle und leere Akkus.
14. Verwenden Sie keine Akkus mit einer anderen mAh-Kapazität.
15. Verwenden Sie keine beschädigten, deformierten oder leckenden Akkus.
16. Die Ladestandsanzeige ist nur ein Näherungswert und kann je nach verwendetem Akkutyp variieren.
17. Akkus können während des Ladevorgangs heiß werden.
18. Bei kalten Temperaturen ist die Akkukapazität sehr viel geringer als bei Verwendung bei Raumtemperatur.
19. Akkus (auch jene, die mit dem Radio mitgeliefert werden) sind Verbrauchsartikel und fallen als solche nicht unter die Garantie des Radios.
20. Es ist ratsam, Perfectpro-Akkus zu verwenden, da das Radio und das Ladegerät für die Anwendung mit diesen Akkus entwickelt wurden.
21. Akkus dürfen nicht verbrannt oder im Haushaltsabfall entsorgt werden.
22. Einwegbatterien sollten möglichst in einem Recycling-Center abgegeben werden.

## Inbetriebnahme des Radios

1. Stellen Sie das Radio auf einen ebenen Untergrund.
2. Schrauben Sie die Antenne korrekt an, um den besten Empfang zu erhalten.
3. Stecken Sie den Netzstecker in die Netzsteckdose. Das Display zeigt einige Sekunden lang „WELCOME TO DIGITAL RADIO“ an. Nach einer kurzen Zeit wird die aktuelle Uhrzeit im Display eingeblendet.
4. Falls keine Zeit angezeigt wird, erscheinen im Display die Anzeigen „--:--:--“ und „Time is not set“. Drücken Sie die Ein/Aus-Taste, um das Radio einzuschalten. Es sucht die Radiosender für die DAB-Uhr. Möglicherweise müssen Sie das Radio umstellen, um einen besseren Empfang zu erhalten, und dort, wie in den nachfolgenden Abschnitten beschrieben, einen Sendersuchlauf starten, um den Sender zu finden.

**WICHTIG:** Der Netzstecker wird verwendet, um das Radio mit dem Stromnetz zu verbinden.

Die Netzsteckdose muss während des Betriebs jederzeit zugänglich bleiben. Um das Radio vollständig von der Netzversorgung zu trennen, ziehen Sie den Netzadapter vollständig aus der Netzsteckdose ab.

## Bedienung des Radios – DAB

1. Drücken Sie die Ein-/Aus-Taste, um das Radio einzuschalten.
2. Drücken Sie die Quellen-Taste zur Auswahl des DAB-Frequenzbandes.
3. Wenn Sie das Radio zum ersten Mal nutzen, wird ein kurzer Sendersuchlauf der DAB-Kanäle auf Frequenzband III durchgeführt. Wenn das Radio zuvor bereits verwendet wurde, wird der zuletzt verwendete Sender ausgewählt.
4. Während des automatischen Sendersuchlaufs zählt der Senderzähler rechts vom Display bei der Erfassung der neuen Sender hoch und die Sender werden der Liste hinzugefügt. Das Display zeigt ein Balkendiagramm mit dem Fortschritt des automatischen Sendersuchlaufs.
5. Wenn der automatische Sendersuchlauf abgeschlossen ist, wird der erste Sender (in alphanumerischer Reihenfolge 0...9...A...Z) ausgewählt.
6. Falls die Senderliste nach der automatischen Sendersuche noch immer leer ist, erscheint einige Sekunden lang die Anzeige „No DAB Station“ und danach wird automatisch das DAB-Menü geöffnet.
7. Wurden keine Signale erfasst, müssen Sie das Radio möglicherweise umstellen, um einen besseren Empfang zu erhalten.

### Hinweis:

Die in diesem Handbuch angezeigten Namens- und Frequenzanzeigen des jeweiligen Radiosenders, können sich von denen, die Sie am Radio sehen, unterscheiden. Die Rundfunkanstalten ändern möglicherweise die übermittelten Namen der Radiosender und die Frequenzen für die DAB- und UKW-Radiosender sind möglicherweise nicht in allen Teilen des Landes gleich.

## Auswahl eines Senders – DAB

1. Drücken Sie die Ein-/Aus-Taste, um das Radio einzuschalten.
2. Betätigen Sie die Quellen-Taste, bis der DAB-Modus ausgewählt ist. Das Display zeigt den Namen des derzeit ausgewählten Radiosenders an.
3. Drehen Sie am Drehregler, um durch die Liste der verfügbaren Sender zu scrollen.
4. Drücken Sie zur Auswahl des Senders kurz auf den Drehregler. Im Display wird möglicherweise „Connecting...“ angezeigt, während das Radio den neuen Sender sucht.
5. Stellen Sie mit dem Lautstärkeregler die gewünschte Lautstärke ein.

**Hinweis:** Wenn ein Sender nach der Auswahl nicht gefunden wird, kann es erforderlich sein, das Radio umzustellen, um einen besseren Empfang zu erhalten.

## Sekundärer Service – DAB

1. Bestimmte Radiosender verfügen über einen oder mehrere sekundäre Services, die ihnen zugewiesen sind. Wenn ein Sender über einen sekundären Service verfügt, der ihm zugewiesen ist, wird im Display neben dem Sendernamen der Senderliste „>>“ angezeigt. Der sekundäre Service wird dann beim Drehen des Drehreglers sofort nach dem primären Service angezeigt.
2. Drücken Sie zur Auswahl des Senders kurz auf den Drehregler. Die meisten sekundären Services werden nicht kontinuierlich gesendet. Ist der ausgewählte Service nicht verfügbar, kehrt das Radio zum zugewiesenen primären Service zurück.

## Display-Modi – DAB

Im DAB-Modus bietet Ihr Radio eine Reihe von Displayoptionen:

1. Drücken Sie kurz auf die Taste Info, um durch die verschiedenen Modi zu schalten.

- |                       |   |
|-----------------------|---|
| a. Scrolltext (DLS)   | Zeigt verschiedene Informationen als Lauftext an, wie z. B. Interpret/Titel, Telefonnummer usw.   |
| b. DL plus Text       | Einige Sender stellen außer der normalen Informationen auch noch andere programmbezogene Informationen bereit. Falls nicht, erscheint im Display die Anzeige "no info".         |
| c. Programmtyp        | Zeigt den Typ des aktuellen Senders an, z. B. Pop, Klassik, Nachrichten usw.  |
| d. Multiplex-Name     | Zeigt den Namen des Multiplexes an, zu dem der aktuelle Sender gehört.  |
| e. Datum & Uhrzeit    | Zeigt das aktuelle Datum und die aktuelle Uhrzeit an.   |
| f. Kanal und Frequenz | Zeigt den aktuellen Kanal und die aktuelle Frequenz an.   |
| g. Bitrate/Audiotyp   | Zeigt die digitale Bitrate und den Audiotyp des derzeit eingestellten DAB-Senders an.   |
| h. Signalstärke       | Zeigt die Signalstärke des Radioempfangs an. Das transparente ungefüllte Rechteck zeigt die Mindestsignalstärke an, die für einen zufriedenstellenden Empfang erforderlich ist. |

D

## Suche neuer Sender – DAB

Mit der Zeit werden möglicherweise neue Sender verfügbar. Um neue Sender zu finden, gehen Sie folgendermaßen vor:

1. Um einen vollständigen Sendersuchlauf über die gesamten Frequenzen des DAB-Frequenzbandes III durchzuführen, drücken Sie die Taste Info/Menu und halten Sie sie gedrückt. Im Display wird „Full scan“ angezeigt.
2. Drücken Sie zum Bestätigen der Einstellung kurz auf den Drehregler. Wenn neue Sender gefunden werden, zählt der Senderzähler rechts vom Display hoch und die Sender werden der Liste hinzugefügt.

## Manuelle Sendersuche - DAB

Beim manuellen Sendersuchlauf können Sie direkt die Kanäle des DAB-Frequenzbandes III durchsuchen.

1. Halten Sie die Taste Info/Menu ca. 2 Sekunden lang gedrückt. Im Display wird „Full scan“ angezeigt.
2. Drehen Sie den Drehregler auf „Manual Tune“. Drücken Sie zur Eingabe von DAB-Kanälen in die Liste kurz auf den Drehregler. Drehen Sie am Drehregler, um den erforderlichen DAB-Kanal auszuwählen. Wenn der erforderliche DAB-Kanal gefunden ist, drücken Sie kurz auf den Drehregler, um den erforderlichen DAB-Kanal auszuwählen.



## Einstellungen zur Regelung des Dynamikbereichs (DRC) – DAB

DRC kann dafür sorgen, dass leise Töne besser zu hören sind, wenn Sie Ihr Radio in einer geräuschvollen Umgebung nutzen.

1. Halten Sie auf dem DAB-Frequenzband die Taste Info/Menu 2 Sekunden lang gedrückt. Im Display wird „Full scan“ angezeigt.
2. Drehen Sie den Drehregler auf „DRC Value“. Drücken Sie zum Wechseln in den Einstellmodus kurz auf den Drehregler.
3. Drehen Sie am Drehregler, um die erforderliche DRC-Einstellung auszuwählen (der Standard-Modus ist Aus).

DRC Off            DRC ist deaktiviert, DRC-Übertragung wird ignoriert.

DRC High          DRC wird so wie von der Rundfunkanstalt gesendet festgelegt.

DRC Low            Der DRC-Pegel wird auf die Hälfte der Einstellung, die von der Rundfunkanstalt übermittelt wird, festgelegt.

4. Dann den Regler drücken, um die Einstellung zu bestätigen.

**Hinweis:** Die DRC-Funktion kann nicht bei allen DAB-Übertragungen verwendet werden. Wenn die Übertragung DRC nicht unterstützt, hat die DRC-Einstellung am Radio keine Wirkung.

## Einrichtung der Senderreihenfolge

Das Radio verfügt über 2 Senderreihenfolgeeinstellungen, unter denen Sie wählen können. Die Senderreihenfolgeeinstellungen sind Alphanumerisch und Ensemble.

**Hinweis:**

Die Standardsenderreihenfolge am Radio ist Alphanumerisch.

1. Drücken Sie die Ein-/Aus-Taste, um das Radio einzuschalten.
2. Drücken Sie die Quellen-Taste zur Auswahl des DAB-Frequenzbandes.
3. Halten Sie die Taste Info/Menu gedrückt, um die DAB-Menüliste aufzurufen. Im Display wird „Full scan“ angezeigt.
4. Drehen Sie am Drehregler, bis die „Station order“ im Display angezeigt wird. Drücken Sie auf den Drehregler, um in den Senderreihenfolgeeinstellungs-Modus zu wechseln.
5. Drehen Sie am Drehregler, um die Option „Alphanumeric“ oder „Ensemble“ auszuwählen. Bei „Alphanumeric“ wird die Senderliste alphanumerisch (0...9 A...Z) sortiert. Bei „Ensemble“ wird die Senderliste nach DAB-Multiplex sortiert. Die aktuelle Einstellung ist durch ein Sternchen gekennzeichnet.
6. Drücken Sie auf den Drehregler, um die gewünschte Senderreihenfolge auszuwählen.

## Sender löschen "Prune" - DAB

Wenn Sie in einen anderen Teil des Landes umziehen, sind unter Umständen einige der aufgeführten Sender nicht mehr verfügbar. Von Zeit zu Zeit kommt es zudem vor, dass einige DAB-Dienste die Übertragung einstellen oder den Standort oder die Frequenz wechseln. Sender, die nicht gefunden werden können, oder die über einen sehr langen Zeitraum nicht empfangen wurden, werden in der Senderliste mit einem Fragezeichen angezeigt. Die "Prune" Funktion löscht die gekennzeichneten DAB-Sender aus Ihrer Senderliste.

1. Halten Sie die Taste Info/Menu gedrückt. Das Symbol zeigt „Full scan“ an.
2. Drehen Sie den Drehregler auf „Prune“. Drücken Sie zum Wechseln in den Einstellmodus kurz auf den Drehregler. Drehen Sie dann am Drehregler, um Ja oder Nein auszuwählen. Zum Aktivieren der Bereinigungsfunktion wählen Sie „Yes“. Dann Drücken Sie kurz auf den Drehregler, um die Einstellung zu bestätigen.
3. Wenn Sie die Sender nicht bereinigen möchten, wählen Sie „No“. Dann drücken Sie kurz auf den Drehregler.

### Hinweis:

Wenn Sie das Radio in einen anderen Teil des Landes mitgenommen haben, sollten Sie ebenfalls einen Sendersuchlauf für neue Sender durchführen (siehe den Abschnitt „Suchen neuer Sender“).

## Bedienung des Radios – UKW

1. Drücken Sie die Ein-/Aus-Taste, um das Radio einzuschalten.
2. Drücken Sie die Quellen-Taste, um das UKW-Frequenzband auszuwählen.
3. Drehen Sie den Drehregler zum Suchen nach einer Frequenz im Uhrzeigersinn. Drücken Sie dann auf den Drehregler. Ihr Radio führt den Sendersuchlauf in Aufwärtsrichtung durch (niedrige Frequenz zu hoher Frequenz) und den Suchlauf beenden, wenn ein Sender von ausreichender Stärke gefunden wurde. Um das Frequenzband in Abwärtsrichtung zu durchsuchen, drehen Sie den Drehregler zunächst entgegen dem Uhrzeigersinn. Drücken Sie dann auf den Drehregler. Das Radio führt den Sendersuchlauf in Abwärtsrichtung durch und stoppt automatisch, wenn es einen Sender von ausreichender Stärke findet. Nach einigen Sekunden wird das Display entsprechend aktualisiert. Das Display zeigt die Frequenz des gefundenen Signals an. Ist das Signal stark genug und sind RDS-Daten vorhanden, zeigt das Radio den Sendernamen an.
4. Wenn das Ende des jeweiligen Frequenzbands erreicht wird, fährt das Radio mit der gegenüberliegenden Seite des Frequenzbandes fort.
5. Stellen Sie mit dem Lautstärkeregler die gewünschte Lautstärke ein.
6. Zum Ausschalten des Radios drücken Sie die Ein-/Aus-Taste.

## Manuelle Sendersuche - UKW

1. Drücken Sie die Ein-/Aus-Taste, um das Radio einzuschalten.
2. Drücken Sie die Quellen-Taste, um das UKW-Frequenzband auszuwählen.
3. Drehen Sie den Drehregler, um einen Sender einzustellen. Die Frequenz wird in 50 kHz-Stufen eingestellt. Wenn das Ende des Frequenzbandes erreicht ist, fährt das Radio mit der gegenüberliegenden Seite des Frequenzbandes fort.
4. Stellen Sie mit dem Lautstärkeregler die gewünschte Lautstärke ein. Zum Ausschalten des Radios drücken Sie die Ein-/Aus-Taste.

## Display-Modi – UKW

Im UKW-Modus kann die unterste Zeile des Displays auf einen der folgenden Modi eingestellt werden:

1. Drücken Sie wiederholt kurz auf die Taste Info, um durch die verschiedenen Modi zu schalten.
  - a. Radiotext Zeigt verschiedene Informationen als Lauftext an wie Interpret/Titel, Telefonnummer usw.
  - b. Programmtyp Zeigt den Typ des aktuellen Senders an, z. B. Pop, Klassik, Nachrichten usw.
  - c. Frequenz Zeigt die Frequenz des aktuell wiedergegebenen Senders an.
  - d. Stereo/Mono Zeigt an, ob der aktuelle Sender in Stereo oder Mono empfangen wird.
  - e. Zeit & Datum Zeigt die aktuelle Uhrzeit und das aktuelle Datum an.

**Hinweis:** Wenn keine RDS-Informationen verfügbar sind, kann das Radio den Sendernamen, den Lauftext und die Programmart nicht anzeigen.

## Einstellung der Suchlaufempfindlichkeit – UKW

Ihr Radio verfügt über eine Lokal/Fern-Option für die automatische Sendersuche. Durch die Einstellung des Radios auf die „Local“ Suchoption, können schwächere Signale von weiter entfernten Sendern vom Radio ignoriert werden, so dass stärkere Signale leichter gefunden werden.

1. Drücken Sie die Ein-/Aus-Taste, um das Radio einzuschalten.
2. Drücken Sie ggf. kurz die Quellentaste, um das UKW-Band auszuwählen.
3. Drücken Sie auf die Taste Info/Menu und halten Sie sie gedrückt, um das UKW-Menü aufzurufen. Drehen Sie am Drehregler, bis „FM Scan Zone“ im Display angezeigt wird. Drücken Sie zum Wechseln in den Einstellmodus für die Sendersuchlaufempfindlichkeit kurz auf den Drehregler. Die aktuelle Einstellung wird mit einem Sternchen gekennzeichnet.
4. Drehen Sie am Drehregler, um zwischen den Optionen „Local“ (Nur starke Sender) und „Distant“ (Alle Sender) in der unteren Display-Zeile umzuschalten. Mit der Option „Distant“ kann das Radio beim Suchlauf schwächere Signale finden.
5. Drücken Sie zum Bestätigen Ihrer Auswahl kurz auf den Drehregler. Die Einstellung wird im Radio gespeichert und bleibt in Kraft, bis sie geändert wird oder bis das System zurückgesetzt wird.

## Gespeicherte Sender in den Modi DAB und UKW

Für jedes DAB-/UKW-Frequenzband gibt es 5 Senderspeicher.

1. Drücken Sie die Ein-/Aus-Taste, um das Radio einzuschalten.
2. Stellen Sie den gewünschten Sender, wie oben beschrieben, ein.
3. Halten Sie die erforderliche Senderspeicher-Taste gedrückt, bis im Display z. B. „Preset 2 stored“ angezeigt wird. Der Sender wird unter der gewählten Senderspeicher-Taste gespeichert. Die entsprechende Senderspeichernummer, wie z. B. „P2“ wird im Display angezeigt. Wiederholen Sie diesen Vorgang für die verbleibenden Senderspeicher.
4. Sender, die in den Speichern gespeichert sind, können durch das Verfahren oben überschrieben werden.

## Abruf eines gespeicherten Senders in den Modi DAB und UKW

1. Drücken Sie die Ein/Aus-Taste, um das Radio einzuschalten.
2. Drücken Sie die Quellen-Taste zur Auswahl des erforderlichen Frequenzbandes.
3. Drücken Sie kurz auf die gewünschte Senderspeichertaste und die Senderspeichernummer und der Sender werden im Display eingeblendet.

**Hinweis:** Im Display wird „Preset Empty“ angezeigt, wenn unter diesem Senderspeicher kein Sender gespeichert ist.

## Musikhören per Bluetooth-Streaming

Sie müssen Ihr Bluetooth-Gerät mit dem Radio koppeln, bevor Sie eine automatische Verbindung zur Wiedergabe/zum Streamen von Bluetooth-Musik über Ihr Radio herstellen können. Beim Koppeln (Pairing) entsteht eine Verbindung zwischen zwei Geräten, über die sie sich gegenseitig erkennen können.

D

### Erster Verbindungsaufbau und Wiedergabe mit Ihrem Bluetooth-Gerät

1. Drücken Sie die Quellen-Taste zur Auswahl der Bluetooth-Funktion. „Bluetooth Pairing“ wird im Display angezeigt.
2. Aktivieren Sie Bluetooth auf Ihrem Gerät gemäß der Bedienungsanleitung des Geräts, mit dem Sie das Radio verbinden. Suchen Sie die Bluetooth-Geräteleiste und wählen Sie das Gerät mit dem Namen „DABPRO 2“ aus (bei einigen Smartphones, auf denen Vorgängerversionen des BT2.1 Bluetooth-Geräts installiert sind, müssen Sie unter Umständen den Code „0000“ eingeben).
3. Nachdem die Verbindung hergestellt ist, ertönt ein Bestätigungston und der Name Ihres verbundenen Bluetooth-Geräts wird am Display eingeblendet. Sie können dann einfach Musik von Ihrem Quellgerät auswählen und wiedergeben. Die Lautstärke kann über das Quellgerät oder direkt am Radio eingestellt werden.
4. Verwenden Sie die Bedienelemente an Ihrem Bluetooth-fähigen Gerät oder am Radio, um Titel wiederzugeben/anzuhalten oder durch Titel zu navigieren.

### Hinweis:

- 1) Wenn zwei Bluetooth-Geräte zum ersten Mal gekoppelt werden, müssen beide nach Ihrem Radio suchen. Die Verfügbarkeit des Radios wird auf beiden Geräten angezeigt. Ist jedoch eines der Geräte zuerst mit diesem Gerät verbunden, findet es das andere Bluetooth-Gerät nicht auf der Liste.
- 2) Wenn Sie mit dem Quellgerät den Empfangsbereich verlassen, wird die Verbindung am Radio vorübergehend unterbrochen. Das Radio stellt die Verbindung sofort automatisch wieder her, wenn das Quellgerät wieder in den Empfangsbereich bewegt wird. Beachten Sie, dass während der Unterbrechungsphase kein anderes Bluetooth-Gerät mit dem Radio gekoppelt oder verbunden werden kann.
- 3) Wenn „DABPRO 2“ auf der Bluetooth-Geräteleiste angezeigt wird, Ihr Gerät aber keine Verbindung dazu herstellen kann, löschen Sie die Option bitte aus der Liste. Koppeln Sie das Gerät dann erneut mit dem Radio. Beachten Sie dazu die zuvor beschriebenen Schritte.
- 4) Der effektive Betriebsbereich zwischen dem System und dem gekoppelten Gerät beträgt ca. 10 Meter. Ein Hindernis zwischen dem System und dem Gerät kann die Reichweite beeinträchtigen.
- 5) Die Leistung der Bluetooth-Verbindung kann von den verbundenen Bluetooth-Geräten abhängen. Berücksichtigen Sie dabei die Bluetooth-Fähigkeiten Ihres Geräts, bevor Sie es mit dem Radio verbinden. Es kann sein, dass bei bestimmten gekoppelten Bluetooth-Geräten nicht alle Funktionen zur Verfügung stehen.
- 6) Bei einigen Mobiltelefonen können ausgehende/eingehende Anrufe, Textnachrichten, E-Mails oder sonstige Aktivitäten, die nichts mit dem Audio-Streaming zu tun haben, stumm geschaltet oder sogar vorübergehend von Ihrem Gerät getrennt werden. Derartiges Verhalten ist eine Funktion des angeschlossenen Geräts und weist nicht auf einen Fehler am Radio hin.

## **Display-Modi – Bluetooth**




Im Bluetooth-Modus bietet das Radio eine Reihe von Displayoptionen: Beachten Sie, dass die Verfügbarkeit von Informationen vom jeweiligen spezifischen Medienformat abhängt.

Drücken Sie kurz auf die Info-Taste, um durch die verschiedenen Optionen zu wechseln.

Sofern Ihr verbundenes Gerät in der Lage ist, Informationen zu dem wiedergegebenen Titel anzuzeigen, kann Ihr Radio im Bluetooth-Modus folgende Infos anzeigen: Titelsame, Genre, Künstler, Zeit & Datum, Album und Wiedergabezeit.

### **Wiedergabe von Audiodateien im Bluetooth-Modus**

Wenn Sie Ihr Radio erfolgreich mit dem ausgewählten Bluetooth-Quellgerät verbunden haben, können Sie damit beginnen, Musik mit den Bedienelementen auf Ihrem verbundenen Bluetooth-Gerät wiederzugeben.

1. Sobald die Wiedergabe begonnen hat, stellen Sie die Lautstärke an Ihrem Radio oder am aktivierten Bluetooth-Quellgerät mit dem Lautstärkereglern ein.
2. Verwenden Sie die Bedienelemente auf Ihrem Bluetooth-Quellgerät, um Titel wiederzugeben/anzuhalten und durch die Titel zu navigieren. Kontrollieren Sie alternativ die Wiedergabe mit den Tasten Wiedergabe/Pause (  ), Nächster Titel (  ), Vorheriger Titel (  ) am Radio.
3. Halten Sie die Vorlauf-/Rücklauf-Taste gedrückt, um sich durch den aktuellen Titel zu bewegen. Lassen Sie die Taste los, wenn der gewünschte Punkt erreicht ist.

#### **Hinweis:**

Nicht alle Player-Anwendungen oder Geräte reagieren auf all diese Steuerungen und Bedienelemente.

### **Wiedergabe eines zuvor gekoppelten Bluetooth-Quellgeräts**

Das Radio kann bis zu 6 Sätze gekoppelter Bluetooth-Quellgeräte speichern. Wenn diese Zahl im Speicher überschritten wird, wird der Eintrag des ältesten gekoppelten Geräts vom Gerät überschrieben.

Wenn Ihr Bluetooth-Quellgerät zuvor bereits mit dem Radio verbunden war, merkt sich das Gerät Ihr Bluetooth-Quellgerät und es versucht, erneut eine Verbindung mit dem Bluetooth-Quellgerät im Speicher herzustellen, mit dem es zuletzt verbunden war.

### **Verbindung zu Ihrem Bluetooth-Gerät trennen**

Halten Sie die Bluetooth-Kopplungstaste 2-3 Sekunden lang gedrückt, um die Verbindung mit Ihrem Bluetooth-Gerät zu trennen. Sie können auch auf die Quellen-Taste drücken, um einen beliebigen anderen Modus außer dem Bluetooth-Modus auszuwählen, oder um Bluetooth auf Ihrem Bluetooth-fähigen Quellgerät zu deaktivieren, um die Verbindung zu trennen.

Wenn Sie das Bluetooth-Gerät trennen, während Sie sich im Bluetooth-Modus befinden, wird „Bluetooth Pairing“ im Display angezeigt, um darauf hinzuweisen, dass Bluetooth erneut für die Kopplung zur Verfügung steht.

## Einstellung der Uhrzeit

### Einstellung des Zeitformats

1. Drücken Sie die Ein/Aus-Taste, um das Radio einzuschalten.
2. Drücken Sie auf die Taste Info/Menu und halten Sie sie gedrückt, um das Menü für den aktuellen Modus aufzurufen. Drehen Sie am Drehregler, um „System setting“ auszuwählen. Drücken Sie dann auf den Drehregler, um in das Menü „System setting“ zu wechseln.
3. Drehen Sie am Drehregler, um „Time“ auszuwählen. Drücken Sie dann auf den Drehregler, um die Einstellungen aufzurufen.
4. Drehen Sie am Drehregler, um „Set 12/24 hour“ auszuwählen. Drücken Sie dann auf den Drehregler, um die Einstellungen aufzurufen.
5. Drehen Sie den Drehregler zur Auswahl des 12- oder 24-Stundenformats und drücken Sie dann zum Bestätigen auf den Drehregler. Das ausgewählte Format wird im Standby-Modus und im Wiedergabemodus verwendet. Falls Sie das 12-Stundenformat ausgewählt haben, dann erscheint hinter der Uhrzeit die Anzeige AM bzw. PM.

D

### Automatische Aktualisierung der Uhrzeit

Ihr Radio aktualisiert die Uhrzeit im Normalfall automatisch mithilfe des DAB- oder FM-Signals. Ist kein Signal vorhanden, müssen Sie die Uhrzeit manuell einstellen.

Nach einem Stromausfall stellt das Radio die Uhrzeit ein, wenn Sie das Gerät das nächste Mal in den DAB- oder UKW-Modus schalten. Alternativ können Sie festlegen, dass die Uhrzeit nicht automatisch aktualisiert wird. In diesem Fall muss die Uhrzeit nach einem Stromausfall stets manuell eingestellt werden.

1. Drücken Sie bei eingeschaltetem Radio auf die Taste Info/Menu und halten Sie sie gedrückt, um das Menü für den aktuellen Modus aufzurufen.
2. Drehen Sie am Drehregler, um „System setting“ auszuwählen. Drücken Sie dann auf den Drehregler, um in das Menü „System setting“ zu wechseln.
3. Drehen Sie am Drehregler, um „Time“ auszuwählen. Drücken Sie auf den Drehregler, um zum Menü „Set Time/Date“ zu wechseln.
4. Drehen Sie mit dem Drehregler bis „Set Time/Date“ und drücken Sie dann auf den Drehregler, um die Einstellungen anzuzeigen.
5. Wählen Sie durch Drehen mit dem Drehregler „Auto“ und drücken Sie auf den Drehregler, um die Einstellungen zu öffnen.
6. Drehen Sie am Drehregler, um eine Aktualisierungsoption auszuwählen. Sie haben je nach Bedarf die Wahl unter „Update from any“, „Update from DAB“ oder „Update from FM“. Drücken Sie auf den Drehregler, um Ihre Auswahl zu bestätigen.

#### Hinweis:

Nach der Einstellung von „Update from Any“, „Update from DAB“ oder „Update from FM“ wird die aktuelle Uhrzeit angezeigt, wenn Sie das Radio ausschalten. Wenn kein Signal gefunden wird, sollten Sie entweder das Radio so positionieren, dass ein Signal empfangen werden kann. Alternativ können Sie zum manuellen Uhrzeiteinstellungsmodus zurückkehren.

### Manuelle Einstellung der Uhrzeit

1. Drücken Sie bei eingeschaltetem Radio auf die Taste Info/Menu und halten Sie sie gedrückt, um das Menü für den aktuellen Modus aufzurufen.
2. Drehen Sie am Drehregler, um „System setting“ auszuwählen. Drücken Sie dann auf den Drehregler, um in das Menü „System setting“ zu wechseln.
3. Drehen Sie am Drehregler, um „Time“ auszuwählen. Drücken Sie auf den Drehregler, um zum Menü „Set Time/Date“ zu wechseln.

4. Drehen Sie am Drehregler, um „Set Time/Date“ auszuwählen. Drücken Sie dann auf den Drehregler, um die Einstellungen aufzurufen.
5. Drehen Sie den Drehregler zur Auswahl von „Manual“ und drücken Sie auf den Regler, um die Einstellungen anzuzeigen.
6. Die Stundenziffern blinken im Display. Stellen Sie dann durch Drehen mit dem Drehregler die Stunden ein.
7. Drücken Sie auf den Drehregler. Die Minutenziffern blinken am Display. Drehen Sie am Drehregler, um die gewünschte Minute einzustellen.  
**ACHTUNG:** Wenn das Radio auf ein 12-Stundenformat eingestellt wurde, kann hier AM oder PM als Uhrzeit eingestellt werden. Drehen Sie am Drehregler, um AM oder PM auszuwählen.
8. Drücken Sie auf den Drehregler. Der Tag blinkt am Display. Drehen Sie am Drehregler, um den Tag nach Bedarf zu ändern.
9. Drücken Sie auf den Drehregler. Der Monat blinkt am Display. Drehen Sie am Drehregler, um den aktuellen Monat einzustellen.
10. Drücken Sie auf den Drehregler. Das Jahr blinkt am Bildschirm. Drehen Sie am Drehregler, um das aktuelle Jahr einzustellen. Drücken Sie auf den Drehregler, um die Uhrzeiteinstellung zu bestätigen. Im Display wird „Time Saved“ angezeigt.

## Sprachauswahl

Standardmäßig werden alle Menüs und Meldungen des Radios auf Englisch angezeigt. Sie können Ihre bevorzugte Sprache auswählen.

1. Drücken Sie die Ein-/Aus-Taste, um das Radio einzuschalten.
2. Drücken Sie auf die Taste Info/Menu und halten Sie sie gedrückt, um das Menü für den aktuellen Modus aufzurufen.
3. Drehen Sie am Drehregler, um „System setting“ auszuwählen. Drücken Sie dann auf den Drehregler, um in das Menü „System setting“ zu wechseln.
4. Drehen Sie am Drehregler, um „Language“ auszuwählen. Drücken Sie dann auf den Drehregler, um das Spracheinstellungsmenü aufzurufen.
5. Drehen Sie am Drehregler, bis die gewünschte Sprache am Display angezeigt wird. Drücken Sie auf den Drehregler, um Ihre Auswahl zu bestätigen. Das Display wechselt in die ausgewählte Sprache. Die gewählte Sprache wird mit einem Sternchen gekennzeichnet.

## Zurücksetzen auf Werkseinstellungen

Falls das Radio nicht richtig funktioniert oder falls einige Ziffern des Displays fehlen oder unvollständig sind, führen Sie bitte folgendes Verfahren aus:

1. Drücken Sie die Ein-/Aus-Taste, um das Radio einzuschalten.
2. Drücken Sie auf die Taste Info/Menu und halten Sie sie gedrückt, um das Menü für den aktuellen Modus aufzurufen.
3. Drehen Sie am Drehregler, um „System setting“ auszuwählen. Drücken Sie dann auf den Drehregler, um in das Menü „System setting“ zu wechseln.
4. Drehen Sie am Drehregler, um „Factory reset“ auszuwählen. Drücken Sie dann auf den Drehregler, um die Einstellungen aufzurufen.
5. Drehen Sie am Drehregler, um zum Fortfahren „Yes“ zu markieren. Wenn Sie das System nicht zurücksetzen möchten, markieren Sie „No“ und drücken Sie anschließend zum Bestätigen der Einstellung auf den Drehregler.

6. Drücken Sie dann bei ausgewählter Option „Yes“ auf den Drehregler. Eine vollständige Rückversetzung wird ausgeführt. Alle Senderspeicher und Senderlisten werden gelöscht. Alle Einstellungen werden auf Ihre Standardwerte zurückgesetzt. Nach dem Zurücksetzen des Systems wird das Radio neu gestartet. Das Display zeigt einige Sekunden lang „WELCOME TO DIGITAL RADIO“ an und ein Sendersuchlauf im DAB-Frequenzband III wird durchgeführt. Im Fall einer Fehlfunktion aufgrund von elektrostatischer Entladung, setzen Sie das Produkt zurück (dazu das Gerät erneut an die Stromversorgung angeschlossen werden), um den Normalbetrieb wieder aufzunehmen.

## Buchse für die Software-Aktualisierung

D

Von Zeit zu Zeit kommt es unter Umständen vor, dass neue Softwarefunktionen für das Radio entwickelt werden. Das Radio wurde so konzipiert, dass die interne Software über den USB-Upgrade-Anschluss aktualisiert werden kann.

Sie sollten nicht versuchen, Ihr Radio zu aktualisieren, sofern Ihnen dies vom Kundendienst von Perfectpro nicht empfohlen wird. Bei der Aktualisierung der Software werden möglicherweise alle gespeicherten Radiosender und Sendereinstellungen aus Ihrem Radio gelöscht.

Künftig stehen möglicherweise Softwareaktualisierungen für Ihr Radio zur Verfügung.

Wenn Softwareaktualisierungen verfügbar werden, finden Sie die entsprechende Software und die Informationen, wie Sie das Radio aktualisieren, unter: [www.perfectpro.eu](http://www.perfectpro.eu)

Weitere Informationen erhalten Sie über unsere Zentrale. Senden Sie eine E-Mail an [info@perfectpro.eu](mailto:info@perfectpro.eu).

1. Verwenden Sie ein Micro-USB-Kabel (nicht enthalten), um den USB-Port im Batteriefach mit einem PC zu verbinden.
2. Drücken Sie bei eingeschaltetem Radio auf die Taste Info/Menu und halten Sie sie gedrückt, um das Menü für den aktuellen Modus aufzurufen.
3. Drehen Sie am Drehregler, um „System setting“ auszuwählen. Drücken Sie dann auf den Drehregler, um in das Menü „System setting“ zu wechseln.
4. Drehen Sie am Drehregler, um „Software Upgrade“ auszuwählen. Drücken Sie dann auf den Drehregler, um die Einstellungen aufzurufen. Die Standardeinstellung ist „No“. Drehen Sie sonst am Drehregler, um „Yes“ auszuwählen. Drücken Sie dann auf den Drehregler. Am Display wird „Waiting for PC Wizard...“ angezeigt.
5. Besuchen Sie die oben genannte Website, um sich die neueste Software herunterzuladen. Folgen Sie den Anweisungen am Bildschirm Ihres PCs, auf dem sich die Upgrade-Software befindet, um die Softwareaktualisierung abzuschließen.
6. Wenn Sie keine Software-Aktualisierung durchführen möchten, drehen Sie den Drehregler in Schritt 4 auf „No“ und drücken Sie anschließend auf den Drehregler.

### Hinweis:

Verwenden Sie bitte bei der Softwareaktualisierung das Netzkabel zur Hauptstromversorgung.

Schalten Sie das Radio nicht aus, bis die Aktualisierung abgeschlossen ist und das Radio neu gestartet ist. Andernfalls kann das Gerät dauerhaft beschädigt werden.



## Softwareversion

Die Softwareversion wird nur für Informationszwecke angezeigt und kann nicht geändert werden.

1. Drücken Sie bei eingeschaltetem Radio auf die Taste Info/Menu und halten Sie sie gedrückt, um das Menü für den aktuellen Modus aufzurufen.
2. Drehen Sie am Drehregler, um „System setting“ auszuwählen. Drücken Sie dann auf den Drehregler, um in das Menü „System setting“ zu wechseln.
3. Drehen Sie am Drehregler, bis „SW Version“ am Display eingeblendet wird. Drücken Sie dann auf den Drehregler. Die Softwareversion wird am Display angezeigt.
4. Drücken Sie kurz die Taste Info/Menu, um die Anzeige der Softwareversion zu verlassen.

## Aux-Eingangsbuchse

An der 3,5-mm-AUX-Eingangsbuchse werden Audioquellen, wie ein MP3-Player oder ein CD-Walkman, angeschlossen, um sich das Audioprogramm über den Radiolautsprecher anzuhören.

1. Schließen Sie ein Stereo- oder Mono-Audiogerät (z. B. CD-Walkman oder MP3-Player) über den Aux-Eingang auf der Rückseite des Radios, hinter der Gummiabdeckung an.
2. Drücken Sie die Quellentaste zur Auswahl des Aux-Eingangsmodus. Im Display erscheint die Anzeige „AUX IN“.
3. Geben Sie die Datei auf dem CD-Walkman oder dem MP3-Player wieder.
4. Stellen Sie die Lautstärke mit dem Lautstärkereglern auf das erforderliche Niveau ein.

**Hinweis:** Stellen Sie sicher, dass die Gummiabdeckung der AUX-Eingangsbuchse gut verschlossen ist, um zu verhindern, dass Feuchtigkeit in das Radio gelangt.

Verwenden Sie die AUX-Eingangsbuchse niemals unter regnerischen oder feuchten Bedingungen, um zu verhindern, dass Feuchtigkeit in das Gerät gelangt. Halten Sie die Gummiabdeckung unter diesen Bedingungen fest geschlossen.

**SICHERHEITSEMPFEHLUNG:** Um mögliche Hörschäden zu vermeiden, sollten Sie nicht für längere Zeit hohe Lautstärken hören oder Ihre Ohren zu nah an den Lautsprecher halten.

Bitte verwenden Sie den Lautstärkepegel verantwortungsvoll mit Rücksicht auf die Situation und andere Menschen oder Tiere in der Nähe.

## GARANTIE

Das Radio verfügt über eine 2-jährige Garantie.

**WARNUNG! Der Garantieanspruch erlischt, sobald das Gehäuse des Radios geöffnet wird oder irgendwelche Modifikationen oder Änderungen am Radio vorgenommen werden!**

Ein Anspruch auf Garantie dieses Radios ist in den folgenden Fällen nicht gegeben:

- Schäden, die durch Missbrauch, Vernachlässigung, Änderungen, Unfälle oder unsachgemäße Reparatur verursacht werden.
- Bei normaler Abnutzung und normalem Verschleiß
- Für Akkus

Öffnen Sie niemals das Gehäuse des Geräts. Der Hersteller übernimmt keine Haftung für Schäden, die auf einen unsachgemäßen Umgang zurückzuführen sind. Das Typenschild befindet sich auf der Rückseite des Geräts.

## Technische Daten

### Anforderungen an die Stromversorgung

Wechselstromversorgung: 100-240V ~ 50/60Hz 24W

Akkus: 4 x AM-2 (Typ C, LR14) , Alkali- oder NiMH-Batterien

### Frequenzbereich:

UKW 87,50 – 108 MHz

DAB 174,928 – 239,200 MHz

### Bluetooth

Bluetooth-Spezifikationen

Profil-Unterstützung

Bluetooth Audio CODEC

Sendeleistung

Sichtlinienbereich

Frequenzbereich und Übertragungsleistung

Bluetooth® 5.0 + EDR

A2DP, AVRCP

SBC, AAC

Leistungsklasse 2

10 Meter

2402MHz ~ 2480MHz: +4dBm (Bluetooth EDR)

### Elektronische Funktionen:

Lautsprecher: 3", 8 Ohm, 5 W Vollbereich, wasserdicht.

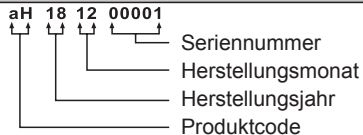
Ausgangsleistung: 2 Watt 10% T.H.D. bei 6 V Gleichspannung aus Batterien mit 100 Hz

4 Watt 10 % T.H.D. bei 120 V Wechselspannung aus Batterien mit 100 Hz

AUX IN-Stufe: 200±70 mVrms (Nennstufe), 1 Vrms (max.)

**Betriebstemperaturbereich:** 0°C bis +35°C

### ※ Nachfolgend wird der Barcode am Produkt erläutert:



Das Unternehmen behält sich das Recht vor, die technischen Daten jederzeit ohne  
orankündigung zu ändern.



Sollten sind irgendwann das Gerät nicht mehr benutzen, achten Sie bei der Entsorgung  
bitte auf folgendes: Elektrische und elektronische Altgeräte sollten nicht zusammen mit  
dem Hausmüll entsorgt werden. Bitte geben Sie das Gerät zur Wiederverwertung ab,  
wenn entsprechende Einrichtungen existieren. Erkundigen Sie sich bei Ihrer örtlichen  
Behörde oder Ihrem Händler über die sachgerechte Entsorgung des Geräts. (WEEE-  
Richtlinie - Waste Electrical and Electronic Equipment Directive.)



La marque et les logos Bluetooth® sont enregistrés comme des marques déposées et détenues par Bluetooth SIG, Inc. et tout usage de ces marques par Perfectpro B.V. se fait sous licence.

**ATTENTION!**

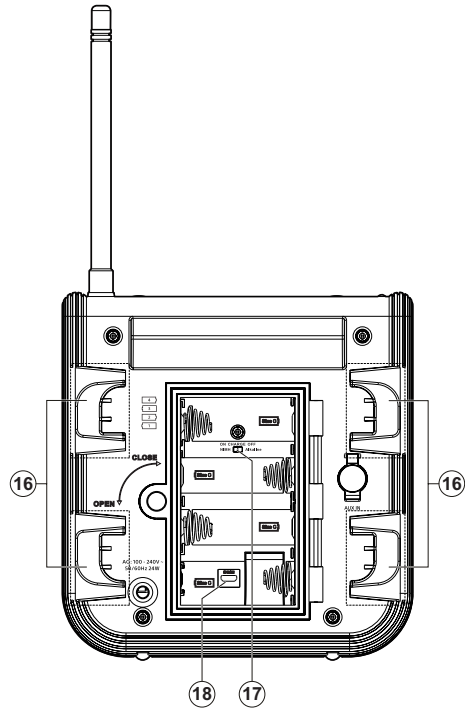
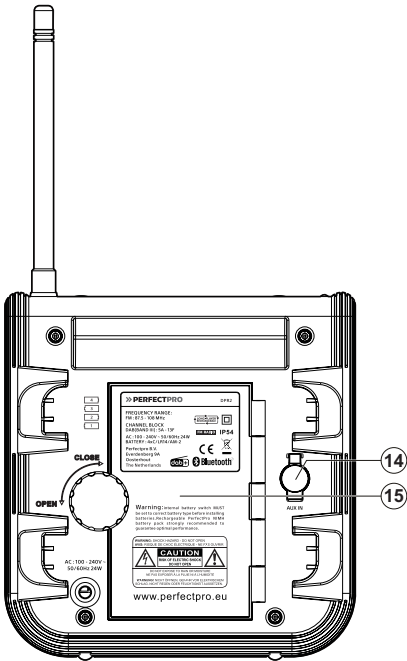
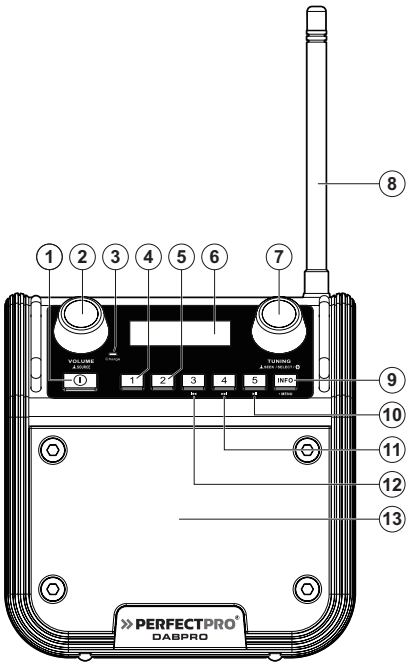
AVERTISSEMENT: LA GARANTIE PREND FIN LORSQUE LE BOITIER DE LA RADIO A ETE OUVERT OU LORSQUE DES MODIFICATIONS ONT ETE APPORTEES A LA RADIO.

N'OUVREZ JAMAIS LE BOITIER DE L'APPAREIL. LE CONSTRUCTEUR N'ACCEPTERA AUCUNE RESPONSABILITÉ POUR UN DOMMAGE RESULTANT D'UNE MAUVAISE UTILISATION. LA PLAQUE SIGNALÉTIQUE EST SITUÉE AU DOS DE L'APPAREIL.

## Consignes de sécurité importantes

1. Lisez ces consignes.
2. Conservez ces consignes.
3. Respectez ces avertissements.
4. Suivez ces consignes.
5. N'utilisez pas cet appareil près de l'eau.
6. Nettoyez seulement avec un chiffon sec.
7. Ne bloquez aucune ouverture de ventilation. Installez selon les consignes.
8. N'installez pas à proximité de sources de chaleur telles que les radiateurs, grilles de chauffage, fourneaux ou autres appareils (y compris les amplificateurs) qui produisent de la chaleur.
9. Protégez le cordon d'alimentation afin qu'il ne soit pas piétiné ou serré, particulièrement au niveau de la fiche, de la prise électrique et à l'endroit où il sort de l'appareil.
10. Utilisez seulement des cordons/accessoires précisés par le fabricant.
11. Utilisez seulement avec le chariot, le support, le trépied, la console ou la table précisés par le fabricant ou vendus avec l'appareil. En utilisant un chariot, faites attention en déplaçant la combinaison chariot/appareil pour éviter de vous blesser en cas de chute.
12. Débranchez cet appareil pendant les orages ou lorsque vous ne l'utilisez pas pendant de longues périodes.
13. Confiez toutes les réparations à du personnel de réparation qualifié. La réparation est requise si cet appareil a été endommagé de quelque manière que ce soit, par exemple si le cordon d'alimentation ou la fiche ont été endommagés, si du liquide a été renversé ou si des objets sont tombés sur l'appareil, si l'appareil a été exposé à la pluie ou à de l'humidité, s'il ne fonctionne pas correctement ou s'il est tombé.
14. Pour réduire les risques de feu ou de choc électrique, n'exposez pas cet appareil à la pluie ou à de l'humidité. Pour l'utilisation en extérieur, pour éviter un choc électrique lorsqu'il pleut ou que le temps est humide, n'utilisez la radio que sur piles. Cet appareil est muni d'une protection contre les projections d'eau et l'infiltration de la poussière (IP54).
15. L'indication d'un risque d'électrocution présent ainsi que le symbole associé sont indiqués au dos de l'appareil.
16. L'appareil ne doit pas être exposé à des égouttements ainsi qu'à des éclaboussures. Aucun récipient rempli de liquide ne doit être placé sur l'appareil.
17. La prise de courant doit être à proximité de l'appareil et facile d'accès pour qu'en cas d'urgence, pour couper le courant de l'appareil, vous puissiez simplement débrancher la prise de courant.
18. **Remarque:**  
Tout changement ou modification non approuvé expressément par le tiers responsable de la conformité pourrait rendre nulle l'autorité de l'utilisateur d'utiliser l'appareil.
19. Lorsque la prise de courant ou un coupleur d'appareil est utilisé comme l'appareil qui déconnecte, l'appareil qui déconnecte doit rester constamment utilisable.
20. Les piles (pack de piles ou piles installées) ne doivent pas être exposées à une chaleur excessive telle que la chaleur du soleil, le feu ou autre.
21. Pour éviter d'endommager l'audition, ne pas écouter à volume élevé pendant de longues périodes.





## Commandes

- ① Touche de mise en marche On/Off
- ② Touche de contrôle du volume/Source
- ③ Indicateur LED de charge
- ④ Touche Preset 1
- ⑤ Touche Preset 2
- ⑥ Écran LCD
- ⑦ Bouton de réglage de Fréquences/Select/Search/Appairage Bluetooth
- ⑧ Antenne FM/DAB
- ⑨ Touche Info/Menu
- ⑩ Touche Preset 5/Play/Pause
- ⑪ Touche Preset 4/Piste suivante/Avance rapide
- ⑫ Touche Preset 3/Piste précédente/Retour arrière
- ⑬ Haut-parleur
- ⑭ Prise Aux in
- ⑮ Compartiment des piles
- ⑯ Rangement du câble d'alimentation
- ⑰ Commutateur de piles NiMH/alcalines
- ⑱ Fente pour la mise à niveau du logiciel

## Mise en marche de la radio

### 1. Utilisation sur piles

Installation des piles: tournez d'abord le support du couvercle des piles dans le sens contraire des aiguilles d'une montre pour desserrer et ouvrir le couvercle des piles.

#### Remarque:

Avant d'insérer les piles, vérifiez la position du commutateur de pile NiMH / Alcaline. Si vous utilisez des piles non rechargeables, assurez-vous que l'interrupteur de pile NiMH / Alcaline situé à l'intérieur du compartiment des piles est sur la position Alcaline. Si vous utilisez des piles rechargeables, assurez-vous de mettre le commutateur de pile NiMH / Alcaline sur la position NiMH.

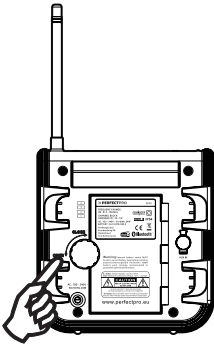
Insérez 4 piles de taille C (AM-2) dans le compartiment.

Assurez-vous que les piles sont insérées comme montré sur le diagramme.

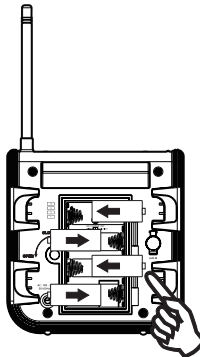
Fermez le compartiment des piles et tournez les fixations du compartiment dans le sens des aiguilles d'une montre. Si vous n'utilisez pas la radio pendant une longue période, il est recommandé de retirer les piles de la radio.

Une puissance diminuée, des distorsions, un « bégaiement » du son ou l'icône clignotante de la batterie indiquant une charge faible sont tous des signes que les piles doivent être remplacées ou rechargées.

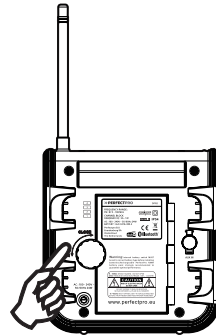
1.



2.



3.



Lors de la lecture sur piles (rechargeables), la puissance de sortie est inférieure à la puissance de sortie lors de la lecture sur une alimentation secteur. Pour cette raison, le son peut être quelque peu déformé aux réglages de volume les plus élevés.


### 2. Utilisation sur secteur

Avant d'insérer la fiche du cordon d'alimentation de la radio dans une prise de courant, assurez-vous que la tension soit correcte. Lorsque vous utilisez la radio sur secteur, alors que des piles sont toujours installées dans la radio, celles-ci sont automatiquement déconnectées.

Le cordon d'alimentation peut être rangé à l'arrière de la radio lorsque celle-ci n'est pas utilisée.

## CHARGER LES PILES

Une puissance de sortie réduite, une distorsion, des grésillements ou le signe « low battery » clignotant à l'écran sont autant de signes avertissant que les piles doivent être remplacées ou rechargées.



BATTERY LOW!

### Remarque:

Les piles peuvent être chargées à la fois pendant que la radio est allumée et éteinte. Branchez le cordon d'alimentation secteur dans la prise secteur pour charger les piles. Assurez-vous que le commutateur de pile NiMH / Alcaline est réglé sur la position NiMH. Lorsque les piles sont en cours de charge, le voyant LED de charge clignotera en vert. Cela peut prendre jusqu'à environ 7 heures pour charger complètement les piles, en fonction de la capacité des piles rechargeables. Lorsque les piles sont complètement chargées, le voyant LED de charge sera vert fixe.

CHECK BATTERY 4

Pendant le processus de charge, si une pile est détectée comme défectueuse / endommagée, le voyant LED de charge clignotera en rouge. La radio peut détecter les piles défectueuses qui sont à l'origine de l'échec de la charge (par exemple, l'image de droite indique que la pile 4 est détectée comme défectueuse / endommagée). Lorsque la radio indique qu'une ou plusieurs piles sont défectueuses, les piles en question doivent être retirées ou remplacées afin d'empêcher l'affichage du voyant LED de charge de clignoter en rouge.

### Remarque:

Chargez complètement les nouvelles piles avant la première utilisation. La durée de charge complète des piles peut varier selon la capacité mAh des piles. Des piles mAh plus élevées peuvent nécessiter un temps de charge plus long.

**INSTALLEZ UNIQUEMENT DES PILES NIMH PRÉ-CHARGÉES (AU MÊME NIVEAU DE VOLTAGE) AVEC DES CARACTÉRISTIQUES A «FAIBLE AUTO DÉCHARGE ». L'UTILISATION DE PILES D'ORIGINE PERFECTPRO EST FORTEMENT RECOMMANDÉE.**

## INFORMATION IMPORTANTE SUR LA CHARGE ET L'UTILISATION DE PILES RECHARGEABLES

1. Rechargez les piles au moins tous les deux mois.
2. Assurez-vous que le commutateur de pile NiMH / Alcaline à l'intérieur du compartiment des piles soit sur la position « NiMH ».
3. Insérez les piles dans le compartiment en tenant compte de la polarité des piles (+ et -).
4. Première utilisation des piles: Rechargez les piles neuves en un seul cycle de charge ininterrompu jusqu'à ce qu'elles soient complètement rechargées. Ce premier cycle de charge prendra plus de temps qu'un cycle de charge normal. Afin d'augmenter la durée de vie des piles, il est préférable de toujours recharger celles-ci en un seul cycle de charge ininterrompu jusqu'à ce qu'elles soient complètement rechargées. Evitez de recharger les piles lorsque leur charge est encore suffisante.
5. Des piles neuves atteindront leur pleine capacité seulement après un nombre de cycles d'utilisation (décharge-recharge).
6. Lors d'une utilisation fréquente de la radio, laissez le groupe de piles complet dans la radio. N'utilisez pas les piles à d'autres fins. N'enlevez jamais quelques piles de la radio en vue de les utiliser à d'autres fins. Il en résultera inévitablement un mélange de piles (complètement) rechargées et de piles (partiellement) déchargées.



7. Rechargez les piles à une température ambiante entre 5°C et 35°C. Une température ambiante supérieure ou inférieure ne permet pas de recharger complètement les piles.
8. Etant donné la capacité élevée des piles fournies, le cycle de charge complet (piles vides -> piles pleines) de celles-ci peut prendre environ 7 heures ou plus.
9. Ne rechargez pas les piles lorsque la radio est chaude ou exposée à la chaleur ou à une source de chaleur.
10. Il est conseillé de nettoyer de temps à autre les contacts métalliques des piles et du chargeur au moyen d'un spray spécial pour composants électroniques.
11. N'utilisez jamais un mélange d'anciennes piles rechargeables et de piles rechargeables neuves.
12. N'utilisez jamais un mélange de piles rechargeables et de piles non rechargeables.
13. N'utilisez jamais un mélange de piles rechargeables déchargées et de piles rechargeables complètement rechargées.
14. N'utilisez jamais un mélange de piles présentant des capacités mAh différentes.
15. N'utilisez jamais des piles endommagées, déformées ou présentant des fuites.
16. La capacité approximative des piles affichée est une indication approximative et peut varier avec le type de piles utilisées.
17. Les piles sont susceptibles de devenir chaudes en cours de recharge.
18. Par temps froid, la capacité des piles sera inférieure à la capacité de celles-ci à température ambiante normale.
19. Etant donné que les piles sont des consommables, celles-ci ne sont pas couvertes par la garantie de la radio.
20. Il est conseillé d'utiliser des piles rechargeables PerfectPro, étant donné que la radio et le chargeur interne sont conçus pour être utilisés avec celles-ci.
21. Les piles ne doivent pas être incinérées ou jetées avec les déchets ménagers.
22. Les piles usagées doivent être apportées à un centre de recyclage.

## Première utilisation

1. Placez votre radio sur une surface plane.
2. Assurez-vous de visser l'antenne correctement afin d'obtenir la meilleure réception.
3. Connectez la prise du cordon d'alimentation dans une prise de courant. L'écran affichera "Welcome to Digital Radio" pendant quelques secondes. Après un court instant, l'heure s'affichera à l'écran.
4. Si aucune heure n'est affichée, l'écran affichera « -: - » et le message "L'heure n'est pas réglée". Appuyez sur la touche de Mise en marche On/Off pour allumer votre radio et la radio trouvera des stations DAB. Il pourrait être nécessaire de changer votre radio de place pour obtenir une meilleure réception et ainsi procéder à un balayage des stations disponibles pour trouver des stations, comme dans la procédure décrite ci-dessous.

**IMPORTANT:** La prise courant est utilisée comme le moyen de connecter la radio au courant. La prise de courant secteur utilisée pour la radio doit rester accessible pendant toute l'utilisation de la radio. Pour déconnecter complètement la radio du courant secteur, la prise secteur de la radio doit être complètement débranchée du courant secteur.

## Fonctionnement de la radio – DAB

1. Appuyez sur la touche On/Off pour allumer la radio.
2. Appuyez sur la touche Source pour sélectionner la bande DAB.
3. Si c'est la première fois que vous utilisez la radio, un balayage automatique des stations de la Band III DAB sera effectué. Si la radio a déjà été utilisée, la dernière station écoutée sera automatiquement sélectionnée.
4. Pendant l'Autoscan, lorsque de nouvelles stations sont détectées, le nombre de stations va augmenter sur la droite de l'écran et les stations seront ajoutées à la liste. L'écran montre un diagramme à barres indiquant le progrès de l'Autoscan.
5. Lorsque l'Autoscan est terminé, la première station (en ordre alpha-numérique 0...9...A...Z) sera sélectionnée.
6. Si la liste des stations est toujours vide après la recherche auto des stations, votre radio affichera «Aucune station DAB» pendant quelques secondes, puis passera automatiquement au menu DAB.
7. Si aucun signal est détecté, il peut être nécessaire de déplacer votre radio dans un endroit avec une meilleure réception.

### Remarque:

Le nom de la station et la fréquence affichés dans ce guide peuvent différer de celui que vous voyez sur votre radio. Les diffuseurs peuvent changer les noms de stations qui sont transmises et les fréquences utilisées pour les stations DAB et FM peuvent ne pas être les mêmes dans toutes les régions du pays.

## Sélectionner une station – DAB

1. Appuyer sur la touche de mise en marche On/Off pour allumer la radio.
2. Presser puis relâcher la touche Source jusqu'à ce que le mode DAB soit sélectionné. L'écran affichera le nom de la station de radio sélectionnée.
3. Tourner le bouton de Fréquences pour parcourir la liste des stations disponibles.
4. Presser puis relâcher le bouton de Fréquences pour sélectionner la station. Il est possible que l'écran affiche: "Connecting..." (en connexion) pendant que la radio trouve la nouvelle station.
5. Ajuster le volume à votre convenance.

**Remarque:** si après avoir sélectionné une station, celle-ci ne peut-être trouvée, il peut être nécessaire de déplacer la radio dans un endroit avec une meilleure réception.

## Service secondaire – DAB

1. Certaines stations de radio possèdent un ou plusieurs service(s) secondaire(s) associé(s). Si la station possède un service associé, l'écran affichera ">>" à côté du nom de la radio dans la liste des stations. Le service secondaire apparaîtra ensuite immédiatement après le service primaire alors que vous tournerez le bouton de Fréquences.
2. Appuyer et relâcher le bouton de Fréquences afin de sélectionner une station. La plupart des services secondaires ne sont pas diffusés en permanence et si le service sélectionné n'est pas disponible, la radio repassera sur le premier service associé.

## Mode d'affichage – DAB

Votre radio possède plusieurs options d'affichage en mode DAB:

1. Presser puis relâcher la touche Info pour circuler entre les différents modes.
  - a. Texte déroulant (DLS) affiche les messages texte déroulant tels que: le nom de l'artiste/ du morceau etc.
  - b. Affichage suppl. de texte (DL Plus) certaines stations peuvent fournir d'autres informations relatives au programme pour l'affichage en plus du texte normal. Si aucun n'est disponible, un message «aucune info» s'affichera.
  - c. Type de programme affiche le type de station écoutée: par ex. Pop, Classic, Actualités etc.
  - d. Nom de multiplex affiche le nom du multiplex auquel la station écoutée appartient.
  - e. Heure et date affiche l'heure et la date actuelles.
  - f. Canal et fréquences affiche le canal et la fréquence en écoute.
  - g. Débit binaire / Type audio affiche le débit digital et le type audio de la station DAB actuellement à l'écoute.
  - h. Force du signal affiche la force du signal de la réception radio. Le rectangle vide clair indique le niveau minimum de signal requis pour une réception satisfaisante.

## Recherche de nouvelles stations - DAB

Avec le temps, de nouvelles stations peuvent devenir disponibles. Pour trouver de nouvelles stations, veuillez procéder comme suit:

1. Pour procéder à un scan complet des fréquences de la bande DAB III appuyer et maintenir appuyée la touche Info/Menu. L'écran affichera: Full scan (balayage complet).
2. Presser et relâcher le bouton de Fréquences pour confirmer le réglage. Lorsque de nouvelles stations sont trouvées, le compteur de stations sur la partie droite de l'écran augmentera et les stations seront ajoutées à la liste.

## Recherche manuelle – DAB

La recherche manuelle vous permet d'écouter directement les différents canaux de la bande DAB III.

1. Presser et maintenir appuyée la touche Info/Menu pendant 2 secondes. L'écran affichera « Full scan » (Balayage complet).
2. Tourner le bouton de Fréquences pour trouver "Manual Tune" (réglage manuel). Presser puis relâcher le bouton de Fréquences pour entrer dans les canaux DAB de la liste. Tourner le bouton de Fréquences pour sélectionner le canal DAB souhaité. Lorsque le canal DAB a été trouvé, appuyer et relâcher le bouton de Fréquences pour sélectionner le canal DAB souhaité.

## Réglages Dynamic Range Control (DRC) - DAB

La fonction DRC permet de rendre des sons doux plus audibles lorsque la radio est utilisée dans un environnement ou un endroit particulièrement bruyant.

1. En mode DAB, appuyer sur la touche Info/Menu pendant 2 secondes. "Full scan" (Balayage complet) est ensuite affiché à l'écran.
2. Tournez le bouton de Fréquences jusqu'à ce que "DRC value" (Valeur DRC) soit affiché à l'écran. Appuyez ensuite sur le bouton de Fréquences pour l'ajustement.
3. Tournez le bouton de Fréquences pour choisir le réglage souhaité (Le réglage standard est Off).  
DRC Off DRC est éteint, Broadcast DRC sera ignoré.  
DRC High DRC est réglé selon le diffuseur.  
DRC Low Le niveau DRC est réglé à la moitié du réglage du diffuseur.
4. Presser et relâcher le bouton de Fréquences pour confirmer le réglage.

**Remarque:** Certains diffuseurs DAB ne peuvent utiliser la fonction DRC. Si le diffuseur n'utilise pas le DRC, alors le réglage DRC effectué sur la radio n'aura aucun effet.

## Réglage de l'ordre des stations

Votre radio possède deux réglages distincts d'ordre d'affichage des stations. Les réglages de l'ordre des stations sont alphanumérique et ensemble.

### Remarque:

Le réglage par défaut sur la radio est alphanumérique.

1. Appuyer sur la touche On/Off pour allumer votre radio.
2. Appuyer sur la touche Source pour sélectionner le mode DAB.
3. Presser et maintenir appuyée la touche Info/Menu pour entrer dans la liste de menu DAB. L'écran affichera "Full scan".
4. Tourner le bouton de Fréquences jusqu'à ce que l'écran affiche "Station Order". Appuyer sur le bouton de Fréquences pour entrer dans le mode d'ajustement de l'ordre des stations.
5. Tourner le bouton de Fréquences pour choisir "Alphanumeric" ou "Ensemble".  
"Alphanumeric" - trie les stations en une liste alpha-numérique 0...9 A...Z.  
"Ensemble" – organise la liste des stations par multiplex DAB.  
Le réglage en court est indiqué par un astérisque.
6. Appuyer sur le bouton de Fréquences pour sélectionner l'ordre de stations souhaité.

## Suppression de stations (Fonction prune)

Lorsque vous vous rendez dans une autre région ou dans un autre pays, il se peut que certaines stations ne soient plus disponibles. Il se peut également que certaines stations arrêtent d'émettre ou changent de fréquence. Les stations qui ne peuvent être trouvées ou n'ont pas été reçues depuis très longtemps seront affichées avec un point d'interrogation dans la liste des stations. La fonction "Prune" (Suppression) permet de supprimer de la liste des stations, les stations qui ne sont plus disponibles.

1. Presser et maintenir appuyée la touche Info/Menu et l'écran affichera "Full scan" (Balayage complet).
2. Tourner le bouton de Fréquence jusqu'à ce que "Prune" (Suppression) soit affiché à l'écran. Presser puis relâcher le bouton de Fréquences pour ajuster. Tourner ensuite le bouton de Fréquences pour sélectionner Oui ou Non. Pour activer la fonction Prune, sélectionner « Yes » (oui) et presser puis relâcher le bouton de Fréquences pour confirmer le réglage.
3. Si vous ne souhaitez pas supprimer de stations, sélectionner « No » (non) puis presser et relâcher le bouton de Fréquences.

### Remarque:

Si vous vous rendez dans une autre région ou dans un autre pays, il est conseillé d'effectuer une recherche des nouvelles stations disponibles. Voir à cet effet le point "Recherche de nouvelles stations".

## Fonctionnement de la radio – FM

1. Appuyer sur la touche On/Off pour allumer la radio.
2. Appuyer sur la touche Source pour sélectionner le mode FM.
3. Pour balayer les fréquences, tourner tout d'abord le bouton de Fréquences dans le sens des aiguilles d'une montre puis appuyer sur le bouton de Fréquences. Votre radio effectuera un balayage dans le sens croissant (des basses fréquences aux hautes fréquences) et s'arrêtera automatiquement lorsqu'elle aura trouvé une station avec une force de signal suffisante. Pour balayer les stations dans le sens décroissant, tourner tout d'abord le bouton de Fréquences dans le sens inverse des aiguilles d'une montre puis appuyer sur le bouton de Fréquences. Votre radio balayera les stations dans le sens décroissant et s'arrêtera automatiquement lorsqu'elle aura trouvé une station avec une force de signal suffisante. Après quelques secondes, l'écran se mettra à jour. L'écran affichera alors la fréquence du signal trouvé. Si le signal est suffisamment fort et que les données RDS sont disponibles, la radio affichera le nom de la radio.
4. Lorsque la fin de la plage de fréquences est atteinte, la radio recommence la recherche depuis l'autre extrémité de la plage de fréquences.
5. Ajuster le volume en fonction du niveau souhaité.
6. Pour éteindre votre radio, appuyer sur la touche On/Off.

## Réglage manuel – FM

1. Appuyer sur la touche On/Off pour allumer la radio.
2. Appuyer sur la touche Source pour sélectionner le mode FM.
3. Tourner le bouton de Fréquences pour atteindre la station FM souhaitée. La fréquence change par incréments de 50 kHz. Lorsque la fin de la plage de fréquences est atteinte, la radio recommence la recherche depuis l'autre extrémité de la plage de fréquences.
4. Ajuster le volume en fonction du niveau souhaité. Pour éteindre votre radio, appuyer sur la touche On/Off.

## Modes d'affichage – FM

Sur la ligne du bas de l'écran chacun des modes suivants peut-être sélectionné en mode FM:

1. Presser et relâcher la touche Info de manière répétée pour parcourir les différents modes.
  - a. Texte radio affiche les messages texte déroulant tels que: le nom de l'artiste/du morceau, etc.
  - b. Type de programme affiche le type de station écoutée: par ex. Pop, Classic, Actualités etc.
  - c. Fréquence affiche la fréquence de la station en cours d'écoute.
  - d. Stéréo/Mono affiche si la station est reçue en stéréo ou en mono.
  - e. Heure et date affiche l'heure et la date du jour.

**Remarque:** Si aucune station RDS n'est disponible, la radio sera incapable d'afficher le nom de la station, le texte déroulant et l'information sur le type de programme.

## Réglage de la sensibilité de balayage – FM

Votre radio comprend une option local/distant pour la fonction de balayage automatique des stations. En réglant sur « local », les signaux plus faibles de transmetteurs distants peuvent être ignorés par la radio, en rendant les signaux plus forts plus faciles à trouver.

1. Appuyer sur la touche On/Off pour allumer la radio.
2. Si nécessaire, appuyez et relâchez le bouton Source jusqu'à ce que la bande FM soit sélectionnée.
3. Presser et maintenir appuyée la touche Info/Menu pour accéder au menu FM. Tourner le bouton de Fréquences jusqu'à ce que "FM Scan Zone" s'affiche à l'écran. Presser et relâcher le bouton de Fréquences pour entrer dans le mode de réglage de la sensibilité de balayage. Le réglage en cours sera affiché avec un astérisque.
4. Tourner le bouton de Fréquences pour basculer entre les options "Local" (stations fortes seulement) et "Distant" (Toutes stations). L'option Distant permettra de trouver des stations au signal plus faible pendant le balayage.
5. Presser et relâcher le bouton de Fréquences pour confirmer votre sélection. Le réglage est sauvegardé dans la radio et reste en mémoire jusqu'à tant que vous le modifiez ou jusqu'à une remise à zéro du système.

F

## Stations de présélection en mode DAB et en mode FM

La radio possède 5 emplacements de mémoire de stations DAB/FM présélectionnées.

1. Appuyer sur la touche On/Off pour allumer la radio.
2. Sélectionner la station souhaitée comme expliqué auparavant.
3. Presser et maintenir la touche de Présélection jusqu'à ce que l'écran affiche par ex. "Preset 2 stored" (Présélection 2 mémorisée). La station sera mémorisée sous la touche de présélection souhaitée. Le numéro de présélection correspondant par ex. P2 s'affichera sur l'écran. Répéter cette procédure pour les autres présélections.
4. Les stations présélectionnées et mémorisées peuvent être écrasées en répétant la procédure ci-dessus.

## Rappel de stations présélectionnées en mode DAB et FM

1. Appuyer sur la touche On/Off pour allumer la radio.
2. Appuyer sur la touche Source pour sélectionner le mode souhaité.
3. Appuyer brièvement sur la touche de Présélection souhaitée. Le numéro de la présélection et la fréquence de la station sont ensuite affichés à l'écran.

**Remarque:** L'écran affichera "Preset Empty" (présélection vide) si aucune station n'a été enregistrée sous cette Présélection.

## Ecouter de la musique via Bluetooth

Vous devez appairer votre appareil Bluetooth avec votre radio avant de pouvoir écouter de la musique via Bluetooth sur votre radio. L'appairage crée un lien pour que deux appareils puissent se reconnaître.

### **Appairer et écouter la musique depuis le Bluetooth de votre appareil pour la première fois.**

1. Appuyez sur la touche Source pour sélectionner la fonction Bluetooth. "Bluetooth Pairing" sera affiché à l'écran.
2. Activez le Bluetooth de votre appareil selon le manuel utilisateur de l'appareil pour le connecter à votre radio. Localisez la liste des appareils Bluetooth et sélectionnez l'appareil nommé "DABPRO 2" (Avec certains Smartphone's équipés de versions antérieures au BT2.1, il est possible que vous deviez entrer le code "0000").
3. Une fois connecté, il y aura une tonalité de confirmation et le nom de votre appareil Bluetooth connecté sera affiché à l'écran. Vous pouvez alors simplement sélectionner et écouter n'importe quelle musique depuis votre appareil source. Le volume peut être ajusté depuis votre appareil connecté ou directement depuis la radio.
4. Utilisez les commandes de votre appareil Bluetooth ou celles de la radio pour mettre sur pause et naviguer entre les différents morceaux.

### **Remarque:**

- 1) Si 2 appareils Bluetooth s'appairent pour la première fois, les deux doivent rechercher votre radio, et la disponibilité apparaîtra sur les deux appareils. Cependant, si un appareil s'appaire en premier, l'autre appareil Bluetooth ne la trouvera pas dans sa liste.
- 2) Si vous utilisez votre appareil Bluetooth en dehors de la zone de réception, l'appareil sera temporairement déconnecté de votre radio. Votre radio se reconnectera automatiquement si votre appareil Bluetooth est de retour dans le champ. Sachez que pendant cette période de déconnexion, aucun autre appareil Bluetooth ne peut se connecter avec votre radio.
- 3) Si "DABPRO 2" s'affiche dans la liste des appareils de votre appareil Bluetooth mais que votre appareil ne peut pas se connecter à la radio, veuillez le supprimer de votre liste et appairer l'appareil à nouveau avec la radio en suivant les étapes décrites précédemment.
- 4) Le champ opérationnel effectif entre le système et l'appareil appairé est approximativement de 10 mètres (30 feet). Un quelconque obstacle entre l'appareil et la radio peut réduire le champ opérationnel.
- 5) La performance connectivité Bluetooth peut varier en fonction des appareils Bluetooth connectés. Veuillez vous référer aux capacités Bluetooth de votre appareil avant de le connecter à la radio. Toutes les caractéristiques ne sont pas forcément supportées par certains appareils Bluetooth.
- 6) Avec certains téléphones mobiles, passer/recevoir des appels, des messages textes, des emails ou d'autres activités non relatives à l'écoute audio peuvent interrompre momentanément le son du Bluetooth ou même le déconnecter temporairement. Un tel événement provient de la fonction de l'appareil connecté et n'indique pas un défaut de votre radio.

## Modes d'affichage - Bluetooth

Votre radio possède un champs d'options d'affichage variées en mode Bluetooth. Remarquez que la disponibilité de l'information dépend du format du média.

Pressez et relâchez la touche Info pour circuler entre les différentes options: Si votre appareil connecté est capable de fournir des informations sur la piste en cours de lecture, votre radio peut afficher les éléments suivants en mode Bluetooth: nom de la piste, genre, artiste, heure et date, album et durée de la piste.

## Ecouter des fichiers audios en mode Bluetooth

Lorsque vous avez connecté votre radio à l'appareil de votre choix avec succès, vous pouvez commencer à écouter de la musique en utilisant les commandes de votre appareil Bluetooth connecté.

1. Une fois que l'écoute du morceau a commencé, ajustez le volume au niveau souhaité sur votre radio ou sur votre appareil connecté.
2. Utilisez les commandes de votre appareil Bluetooth pour jouer de la musique/ mettre en pause et naviguer entre les morceaux. Vous pouvez sinon contrôler les morceaux en lecture en utilisant les touches ( **5** ), Morceau suivant ( **4** ), Morceau précédent ( **3** ) de votre radio.
3. Pressez et maintenez appuyée la touche avance rapide/ retour en arrière pour naviguer dans le morceau. Relâchez la touche lorsque le point souhaité est atteint.

### Remarque:

Il est possible que certains lecteurs ou appareils ne puissent pas répondre à toutes ces commandes.

## Utiliser un appareil Bluetooth appairé auparavant

La radio peut mémoriser jusqu'à 6 ensembles d'appareils Bluetooth, lorsque la mémoire excède cette quantité, l'appareil connecté le plus tôt sera effacé de la radio.

Si votre appareil Bluetooth a déjà été connecté à la radio par le passé, la radio mémorisera votre appareil Bluetooth et tentera de se reconnecter à cet appareil Bluetooth. Si le dernier appareil connecté n'est plus disponible, la radio tentera de se connecter à l'avant-dernier appareil Bluetooth connecté.

## Déconnecter votre appareil Bluetooth

Appuyez et maintenez appuyée la touche d'appairage Bluetooth pendant 2 à 3 secondes pour déconnecter votre appareil Bluetooth. Vous pouvez également appuyer sur la touche Source pour sélectionner un autre mode que le Bluetooth ou éteignez le Bluetooth de votre appareil Bluetooth pour arrêter la connexion.

Si vous déconnectez l'appareil Bluetooth alors que vous êtes en mode Bluetooth, le "Bluetooth Pairing" s'affichera à l'écran, indiquant que le Bluetooth est de nouveau disponible pour une connexion.



## Réglage de l'heure

### Régler le format de l'heure

1. Appuyer sur la touche On/Off pour allumer la radio.
2. Presser et maintenir appuyée la touche Info/Menu pour accéder au menu du mode utilisé. Tourner le bouton de Fréquences pour sélectionner "System Setting" et appuyer sur le bouton de Fréquences pour entrer dans le menu de réglage du système.
3. Tourner le bouton de Fréquences pour sélectionner "Time" et appuyer sur le bouton de Fréquences pour entrer dans le réglage.
4. Tourner le bouton de Fréquences pour sélectionner "Set 12/24 hour" et appuyer sur le bouton de Fréquences pour entrer dans le réglage.
5. Tournez le bouton de réglage de Fréquences pour sélectionner le format 12 ou 24 heures et appuyez sur le bouton de réglage de Fréquences pour confirmer le réglage. Le format sélectionné est utilisé en mode veille et sur l'écran du mode de lecture. Si le format d'horloge 12 heures est choisi, la radio utilisera alors un horloge de 12 heures avec l'indicateur AM/PM.

### Mise à jour automatique de l'heure

Votre radio mettra normalement automatiquement l'heure à jour en utilisant le signal DAB ou FM. Si aucun signal n'est disponible, il vous faudra régler l'heure manuellement.

Après une coupure de courant la radio réglera l'heure la prochaine fois que vous allumerez la radio en mode FM ou DAB. Alternativement vous pouvez choisir de ne pas mettre à jour l'heure automatiquement. Dans ce cas, l'heure doit toujours être réglée manuellement après une coupure de courant.

1. Lorsque votre radio est allumée, presser et maintenir appuyée la touche Info/Menu pour accéder au menu avec le mode utilisé.
2. Tourner le bouton de Fréquences pour sélectionner "System Setting" et appuyer sur le bouton de Fréquences pour entrer dans le menu de réglages du système.
3. Tourner le bouton de Fréquences pour sélectionner "Time". Appuyer sur le bouton de Fréquences pour entrer dans le menu de réglages de l'heure.
4. Tournez le bouton de réglage de Fréquences pour sélectionner « Régler l'heure / date » et appuyez sur le bouton de réglage de Fréquences pour entrer le menu de réglage.
5. Tournez le bouton de réglage de Fréquences pour sélectionner «Auto» et appuyez sur le bouton de réglage de Fréquences pour entrer dans le menu de réglage.
6. Tourner le bouton de Fréquences pour choisir une option de mise à jour entre "Update from Any" (Mise à jour depuis n'importe lequel) "Update from DAB" (Mise à jour depuis DAB) ou "Update from FM" (Mise à jour depuis FM) en fonction de vos préférences. Appuyer sur le bouton de Fréquences pour confirmer votre choix.

### Remarque:

Après avoir réglé « Update from Any » (Mise à jour depuis n'importe lequel) « Update from DAB » (Mise à jour depuis DAB) ou « Update from FM » (Mise à jour depuis FM), l'heure actuelle reçue sera affichée lorsque la radio est éteinte. Si aucun signal n'est trouvé, vous devrez déplacer la radio pour trouver un meilleur signal ou régler l'heure manuellement.

## Régler l'heure manuellement

1. Lorsque votre radio est allumée, presser et maintenir appuyée la touche Info/Menu pour accéder au menu avec le mode utilisé.
2. Tourner le bouton de Fréquences pour sélectionner "System Setting" et appuyer sur le bouton de Fréquences pour entrer dans le menu de réglages du système.
3. Tourner le bouton de Fréquences pour sélectionner "Time". Appuyer sur le bouton de fréquences pour entrer dans le menu de réglages de l'heure.
4. Tourner le bouton de Fréquences pour sélectionner "Set Time/Date" (Régler l'heure et la date). Appuyer sur le bouton de Fréquences pour entrer dans le menu de réglages. Tourner le bouton de Fréquences pour régler l'heure.
5. Tournez le bouton de réglage de Fréquences pour sélectionner «Manuel» et appuyez sur le bouton de réglage de Fréquences pour entrer dans le menu de réglage.
6. Les chiffres des heures clignoteront sur l'écran. Tournez le bouton de réglage de Fréquences pour régler l'heure souhaitée.
7. Les chiffres correspondant aux minutes clignotent ensuite à l'écran. Tourner le bouton de Fréquence pour régler les minutes.

**REMARQUE:** Si la radio a été réglée pour utiliser un format 12h, il y aura une option pour régler AM/PM pour l'heure. Tourner le bouton de Fréquences pour sélectionner AM ou PM.

8. Appuyer sur le bouton de Fréquences pour confirmer, les chiffres correspondant aux jours clignotent ensuite à l'écran. Tourner le bouton de Fréquences pour régler le jour exact.
9. Appuyer sur le bouton de Fréquences pour confirmer, les chiffres correspondant aux mois clignotent ensuite à l'écran. Tourner le bouton de Fréquences pour régler le mois exact.
10. Appuyer sur le bouton de Fréquences pour confirmer, les chiffres correspondant aux années clignotent ensuite à l'écran. Tourner le bouton de Fréquences pour régler l'année exacte. Appuyer sur le bouton de Fréquences pour confirmer. L'écran affichera "Time Saved".

## Sélection de la langue

Par défaut votre radio affichera les menus et les messages en anglais. Vous pouvez choisir votre langue préférée.

1. Appuyer sur la touche On/Off pour allumer la radio.
2. Presser et maintenir appuyée la touche Info/Menu pour accéder au menu du mode utilisé.
3. Tourner le bouton de Fréquences pour sélectionner "System Setting" et appuyer sur le bouton de Fréquences pour entrer dans le menu de réglages du système.
4. Tourner le bouton de Fréquences pour sélectionner "Language" et appuyer sur le bouton de Fréquences pour entrer dans le menu de réglage de la langue.
5. Tourner le bouton de Fréquences jusqu'à ce que la langue souhaitée apparaisse à l'écran. Appuyer sur le bouton de Fréquences pour confirmer votre choix. L'écran changera et affichera les messages dans la langue souhaitée. La langue choisie sera marquée d'un astérisque.

## Réinitialisation du système

Lorsque la radio ou l'affichage ne fonctionne pas correctement ou en l'absence d'affichage, suivez la procédure ci-dessous:

1. Appuyer sur la touche On/Off pour allumer la radio.
2. Presser et maintenir appuyée la touche Info/Menu pour accéder au menu du mode utilisé.
3. Tourner le bouton de Fréquences pour sélectionner "System Setting" et appuyer sur le bouton de Fréquences pour entrer dans le menu de réglages du système.
4. Tourner le bouton de Fréquences pour sélectionner "Factory Reset" et appuyer sur le bouton de Fréquences pour entrer dans le menu de réglage.
5. Tourner le bouton de Fréquences pour mettre en lumière "Yes" pour procéder à la réinitialisation. Si vous ne souhaitez pas procéder à une réinitialisation, mettre en lumière "No" puis appuyer sur le bouton de Fréquences pour confirmer le réglage.
6. Avec "Yes" mis en lumière, appuyer sur le bouton de Fréquences. Une totale remise à zéro sera alors réalisée. Toutes les stations présélectionnées et les listes de stations seront effacées. Tous les réglages seront remis aux réglages par défaut. Après une remise à zéro du système, la radio redémarrera. L'écran affichera "Welcome to Digital Radio" et un balayage de la bande DAB III sera réalisé. En cas de perturbations provoquées par une décharge électrostatique, réinitialiser la radio comme décrit ci-dessus. En cas d'échec, retirer la fiche du cordon d'alimentation de la radio de la prise de courant et réinsérez celle-ci.

## Prise pour la mise à jour du logiciel

De temps en temps de nouvelles caractéristiques de logiciel peuvent être développées pour votre radio. Votre radio a donc été conçue pour permettre à ce logiciel interne d'être mis à jour en utilisant le port USB.

Vous ne devez pas tenter de mettre à jour votre radio sauf si cela vous est recommandé par le service client Perfectpro. La mise à jour du logiciel peut effacer toutes les présélections de stations et les réglages de votre radio. Des mises à jour du logiciel peuvent être disponibles dans le futur.

Lorsque les mises à jour du logiciel deviennent disponibles, les informations sur la manière de mettre à jour votre radio seront disponibles sur: [www.perfectpro.eu](http://www.perfectpro.eu)

Pour plus d'informations, veuillez contacter le siège en envoyant un email à [info@perfectpro.eu](mailto:info@perfectpro.eu)

1. Utilisez un câble micro USB (non fourni) pour connecter la prise USB du compartiment des piles à votre PC.
2. Lorsque votre radio est allumée, presser et maintenir appuyée la touche Info/Menu pour accéder au menu du mode utilisé.
3. Tourner le bouton de Fréquences pour sélectionner "System Setting" et appuyer sur le bouton de Fréquences pour entrer dans le menu de réglages du système.
4. Tourner le bouton de Fréquences pour sélectionner "Software Upgrade" et appuyer sur le bouton de Fréquences pour entrer dans le menu de réglage. Le réglage par défaut est "No". Autrement, tourner le bouton de Fréquences pour sélectionner "Yes" et appuyer sur le bouton de Fréquences. L'écran affichera "Waiting for PC wizard..."
5. Aller sur le site web mentionné plus haut pour télécharger le dernier logiciel. Suivre les instructions à l'écran sur votre PC pour terminer la mise à jour du logiciel.
6. Si vous ne souhaitez pas réaliser de mise à jour du logiciel, tourner le bouton de Fréquences pour sélectionner « No » à l'étape 4 et presser le bouton de Fréquences.

### Remarque:

Veuillez utiliser la radio sur secteur lorsque vous mettez le logiciel à jour.

N'éteignez pas la radio avant que la mise à jour ne soit terminée et que la radio ait redémarré, sinon l'appareil pourrait être endommagé de façon permanente.

## Version de logiciel

Il n'est pas possible de modifier l'affichage de la version du logiciel. Cet affichage est donné uniquement à titre d'information.

1. Lorsque votre radio est allumée, presser et maintenir appuyée la touche Info/Menu pour accéder au menu du mode utilisé.
2. Tourner le bouton de Fréquences pour sélectionner "System Setting" et appuyer sur le bouton de Fréquences pour entrer dans le menu de réglages du système.
3. Tourner le bouton de Fréquences jusqu'à ce que "SW Version" apparaisse à l'écran et appuyer sur le bouton de Fréquences. La version du logiciel apparaît à l'écran.
4. Presser et relâcher la touche Info/Menu pour sortir de l'affichage de la version de logiciel.

## Prise Aux-in

La prise Aux-In stéréo de 3,5mm permet de connecter une source audio comme un lecteur MP3 ou un walkman CD afin d'écouter le programme audio via le haut-parleur de la radio.

1. Connecter une source audio stereo ou mono (comme un lecteur MP3 ou un walkman CD) à la prise Aux-in située à l'arrière de la radio derrière la coiffe en caoutchouc.
2. Appuyez sur le bouton Source pour sélectionner le mode d'entrée auxiliaire. L'écran affichera « AUX IN ».
3. Jouer le morceau sur votre lecteur MP3 ou walkman CD.
4. Ajuster le volume au niveau souhaité.

**Remarque:** Assurez-vous que la coiffe en caoutchouc se trouve correctement positionnée sur la prise après utilisation de celle-ci, afin d'empêcher l'humidité ou la poussière de pénétrer dans la radio. N'utilisez jamais la prise AUX-IN sous la pluie ou dans un environnement humide, de façon à éviter que de l'humidité pénètre dans la radio. Conservez dans ce cas la coiffe en caoutchouc toujours bien fermée.

**REMARQUE DE SÉCURITÉ ET DE COURTOISIE:** Pour éviter d'éventuels dommages auditifs, n'écoutez pas la radio à un volume trop élevé pendant une trop longue durée et n'approchez pas votre oreille trop près du haut-parleur.

Veillez utiliser le niveau de volume de manière responsable avec une considération respectable des personnes et animaux situés autour de vous.

## GARANTIE

Ce produit est garanti pendant deux ans.

**AVERTISSEMENT: LA GARANTIE PREND FIN LORSQUE LE BOITIER DE LA RADIO A ETE OUVERT OU LORSQUE DES MODIFICATIONS ONT ETE APPORTEES A LA RADIO !**

La garantie de la radio ne couvre pas:

- Les dommages et le bris résultant d'une utilisation non correcte, d'un usage abusif, d'une négligence, de modifications, d'accidents ou de réparations non autorisées.
- L'usure normale en cours d'utilisation.
- Les piles

N'OUVREZ JAMAIS LE BOITIER DE L'APPAREIL. LE CONSTRUCTEUR N'ACCEPTERA AUCUNE RESPONSABILITÉ POUR UN DOMMAGE RESULTANT D'UNE MAUVAISE UTILISATION. LA PLAQUE SIGNALÉTIQUE EST SITUÉE AU DOS DE L'APPAREIL.

## Caractéristiques

### Source de courant

Fonctionnement sur secteur: 100-240V ~ 50/60Hz 24W

Piles: 4 piles AM-2 (taille C, LR14), piles Alcalines ou Ni-MH

### Plage de fréquences:

FM 87.50 – 108 MHz

DAB 174.928 – 239.200 MHz

### Bluetooth

Caractéristiques Bluetooth

Bluetooth® 5.0+EDR

Profil Support

A2DP, AVRCP

CODEC Audio Bluetooth

SBC, AAC

Puissance de transmission

Power Class 2

Portée du Bluetooth

10 mètres / 30 pieds

Fréquence et puissance maximale transmise

2402MHz ~ 2480MHz: +4dBm (Bluetooth EDR)

### Caractéristiques électroniques:

Haut-parleur: 3 inches 8 ohm 5W full range, résistant à l'eau.

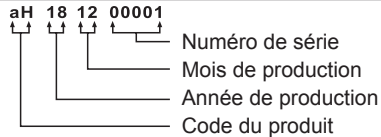
Puissance de sortie: 2 Watt 10% T.H.D. @ 100Hz @ DC battery 6V

4 Watt 10% T.H.D. @ 100Hz @ AC 230V ou 120V

AUX-IN: 200±70 mVrms (rated level), 1Vrms (max.)

Plage de température de fonctionnement: 0°C à +35°C

※ L'étiquette du code-barres sur le produit est définie ci-dessous:



La société se réserve le droit de modifier ces caractéristiques sans préavis.



Lorsque ce produit a atteint la fin de sa vie utile, ne le jetez pas avec les ordures ménagères ordinaires, mais confiez-le à un point de collecte et de recyclage d'appareils électriques et électroniques. Veuillez-vous informer auprès des autorités communales au sujet des points de collecte les plus proches de chez vous. Aidez à protéger l'environnement en recyclant les produits usagés.