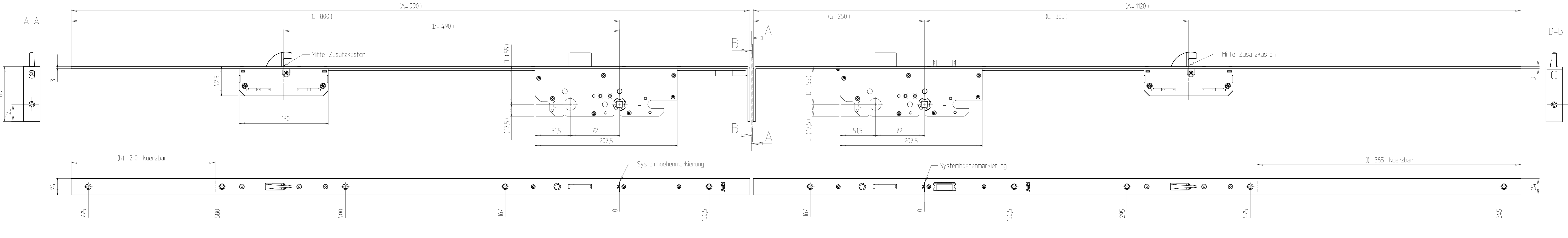


The drawing and its contents are to be kept secret from third parties, particularly competitors. The drawing and documents which go with it are not to be duplicated either in total or extract, or used in other documentation without express approval. A reservation of rights in accordance with §2 PatG is declared for the event that a patent is granted.

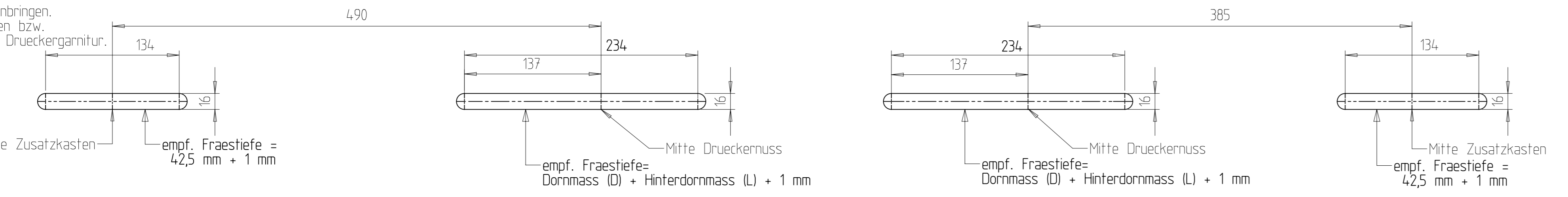


Schlossaufnahmetaschen (M 1:3)

Taschen mit Fraeser $\varnothing 16$ mm fuer Haupt- und Zusatzschlosskasten am Tuerblatt herstellen.

Bohrung fuer Druckergarnitur anbringen. Verwenden Sie dazu die Angaben bzw. Schablonen des Herstellers der Druckergarnitur.

ACHTUNG:
Abweichende Fraestiefen bei Sonderkonstruktionen und/oder Profilstulpen bitte anhand der Profilzeichnung ermitteln.



Qty.	Type of Modification	ANT	Drawn	Approved	Date
		EK1-2051201			
Volume /mm ³	Weight/g	Material-No.	Item-No.	Tool-No.	
			BS2500-...-F--245572-31W0201		
Tolerance		Part-Description			
		MFS 2500			
Scale	Additional Notice				
1 : 2	F24, HSS000, SENK-NR 1				
Drawn	Michael Wiesner	Document No.	1.2500.31918	Doc. Part No.	Revision
Date	23.05.2022			055	00
Appr.	Hoerter	Replacement for :		Test procedure	Status
Date	23.05.2022	Replaced by :			20
				Size	U
				KFV	