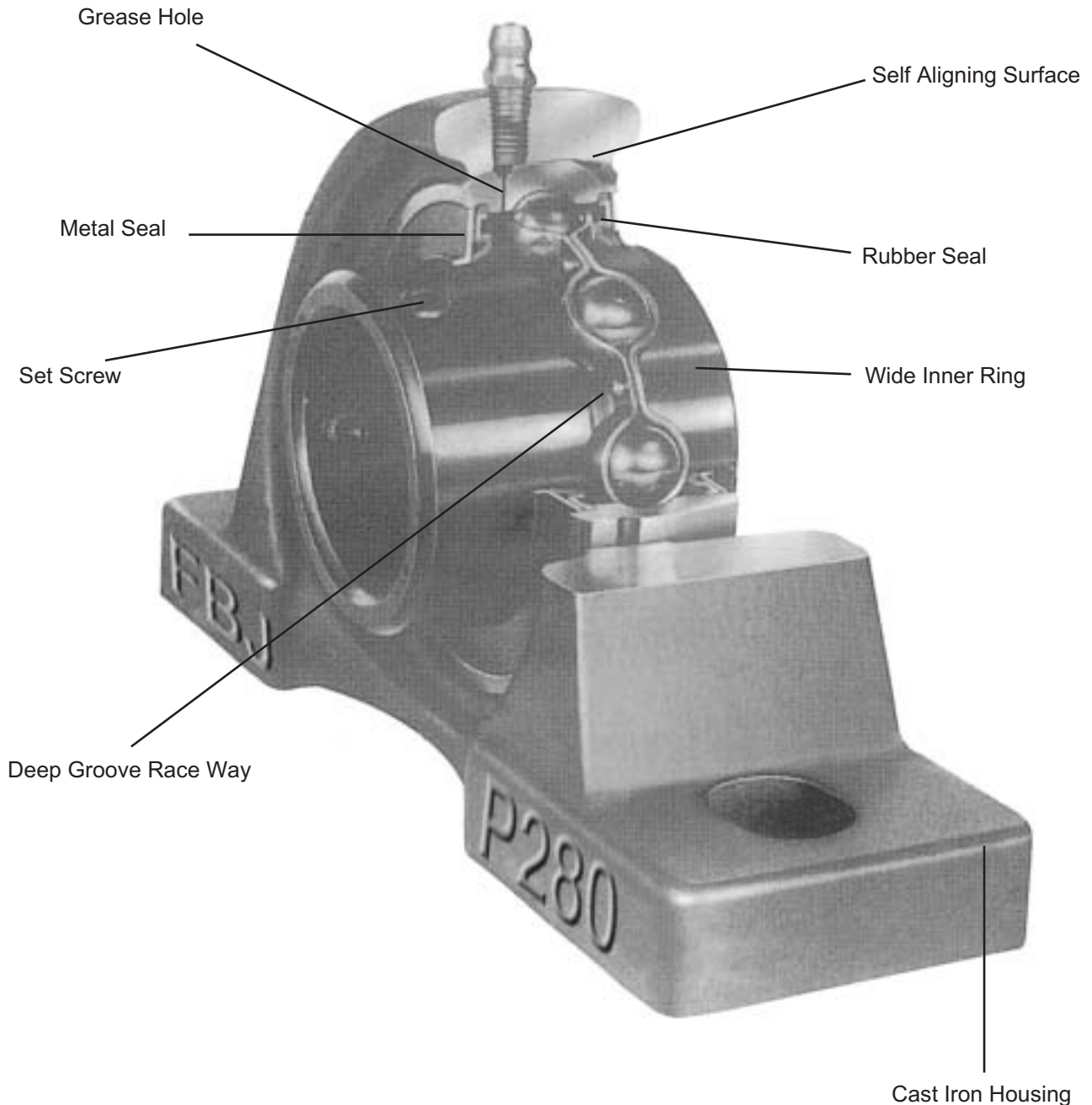


CONTENTS

	Page
TYPES OF FBJ BEARING UNITS AND BEARING INSERTS	
1. BASIC STRUCTURE OF FBJ PILLOW BLOCKS	3
2. BEARING MATERIAL AND OPERATING TEMPERATURE	4
3. LUBRICATION, CLEARANCE AND SPEED LIMITS OF FBJ PILLOW BLOCKS	6
5. BEARING LIFE OF FBJ PILLOW BLOCK UNITS	8
6. ALLOWABLE LOAD FOR FBJ HOUSINGS	9
7. MOUNTING OF FBJ PILLOW BLOCK UNITS	12
8. FBJ BEARING UNITS AND BEARING INSERTS TABLES	14
FBJ PLUMMER BLOCKS HOUSINGS	
9. BASIC STRUCTURE OF FBJ PLUMMER BLOCKS HOUSINGS	
10. MATERIAL OF HOUSING AND ACCESSORIES & MACHINING TOLERANCES	
11. FBJ PLUMMER BLOCK HOUSING TABLES	
CONVERSION / MATCHING TABLES	
12. CONVERSION GUIDE	
13. FBJ BEARING INSERTS AND HOUSING MATCHING TABLE	
14. Inch ~ mm CONVERSION TABLE	

Basic Structure

www.exvalos.cz



1. BASIC STRUCTURE OF FBJ PILLOW BLOCKS

1.1. FBJ Bearing units

The FBJ range of bearing units offer a wide choice of Cast Iron, Pressed Steel or Thermo – Plastic housings fitted with the full, range of bearing inserts, with spherical outer diameter and some with cylindrical outer diameter.

The general housing types are Pillow blocks, Flange units, Hanger Units, Cartridge units and Take-Up units. Choice is very much determined by the requirements of the application, although the aesthetic appearance of the machine design is often an important consideration. Self-Lube units have been designed to meet the needs of both criteria.

The castings are made from high-quality Gray cast iron (JIS, G5501) and finished on all un-machined surfaces with standard dimensions. Pressed steel housings are made from mild steel strips (JIS, 3141) and are zinc plated. In corrosive environment and Food industry, it is recommended to use Thermo – Plastic housings (VALOX 420) with Stainless Steel Bearing inserts.

1.2 FBJ Bearing inserts

The FBJ bearing insert, commonly known as a wide inner ring bearings, is designed to suit the wide range, of housings. FBJ bearing inserts also suitable for applications where the users own housing is preferred.

Bearing inserts are basically deep-groove ball bearings to the internationally popular 6, series configuration with integral design features making them more functional and versatile than the standard ball bearing. They are offered with either parallel or spherical outside diameter outer rings with the latter being the type fitted as standard in the bearing unit.

The integral design features of the bearing insert are such as shaft locking, seals and re-lubrication.

The inner rubber seals are firmly assembled on the outer ring and ensure perfect sealing of grease chamber. The steel shield or slingers rotate with inner ring and generate centrifugal force, by means of which dust is efficiently excluded.

FBJ offer two types of material for bearing insert, High Carbon Chromium Bearing Steel and Stainless Steel.

2. BEARING MATERIAL AND OPERATING TEMPERATURE

2.1 BEARING MATERIAL

The performance of a rolling bearing is highly influenced by the material used. For FBJ Pillow Block either vacuum degassed High Carbon Chromium Bearing Steel or Stainless Steel use as the material for bearing insert and Gray Cast Iron, Sheet Steel or Thermo Plastic for the housing.

Materials used for FBJ High Carbon Chromium Bearing Steel bearing insert and Cast Iron Housing Bearing Units

Table 3.1.1

Component	MATERIALS USED	JIS	
		SYMBOL	NUMBER
Ball, Inner Ring and Outer Ring	High Carbon Chromium Bearing Steel	SUJ 2	G 4805
Cage and shield	Cold rolled steel sheets or strips	SPCC	G 3141
Seal	Nitrile rubber	-	-
Set Screw	Nickel Chromium Molybdenum Steel	SCM 435	G 4105
Sleeve and Nut (For Adapter)	Mild Steel	S 25 C	G 4051
Washer (For Adapter)	Cold rolled steel sheets or strips	SPCC	G 3141
Grease Nipple	Free Cutting Brass Bar	C 3604	H 3250
Housing	Gray Cast Iron	FC 200	G 5501

Materials used for FBJ Stainless Steel Bearings bearing insert and Thermo Plastic Housing Bearing Units

Table 3.1.2

Component	MATERIALS USED	JIS SYMBOL
Ball, Inner Ring and Outer Ring	Stainless Steel	SUS440C
Cage and shield	Stainless Steel	SUS304
Seal	Nitrile rubber	-
Set Screw	Stainless Steel	SUS410
Grease Nipple	Stainless Steel	SUS304
Housing and Cover	Thermo Plastic	VALOX420

3.2 CHEMICAL COMPOSITION OF HIGH CARBON CHROMIUM BEARING STEEL BEARING INSERT MATERIALS

Table 3.2.1

SYMBOL	Component	CHEMICAL COMPOSITION %							Hardness HRC
		C	Si	Mn	P	S	Cr	Mo	
SUJ2	Ball, Inner Ring and Outer Ring	0.9~1.10	0.15~0.35	≤ 0.50	≤ 0.025	≤ 0.025	1.30~1.60	0.08	58~65
SPCC	Cage and Shield	≤ 0.12	-	≤ 0.50	≤ 0.040	≤ 0.045	-	-	-

3.3 CHEMICAL COMPOSITION OF STAINLESS STEEL BEARING INSERT MATERIALS

Table 3.3.1

JIS Symbol	Component	CHEMICAL COMPOSITION %							Hardness HRC
		C	Si	Mn	P	S	Cr	Mo	
SUS440C	Ball, Inner Ring and Outer Ring	0.9~1.20	≤ 1.00	≤ 1.00	≤ 0.040	≤ 0.030	16.0~18.0	0.75	58~65

Table 3.3.2

JIS Symbol	Component	CHEMICAL COMPOSITION %			Hardness HB
		C	Cr	Ni	
SUS410	Set Screw	0.16~0.17	11.5~13.5	0.70~0.80	380~400

Table 3.3.3

JIS Symbol	Component	CHEMICAL COMPOSITION %				Hardness HRC
		C	Cr	Ni	N	
SUS304	Cage	0.075~0.085	18.0~20.0	8.0~10.0	≤ 0.1	25~39

3.4 Operating temperature range for FBJ Pillow Block bearings.

FBJ Pillow Block Bearing Inserts with Cast Iron Housings, Pillow Block Bearing Inserts with Pressed Steel Housings and Stainless Steel Bearing Inserts can withstand the operating temperatures from -15°C to 120°C .

FBJ Pillow Block bearings with Thermo Plastic Housing and Stainless Steel Bearing Inserts can withstand the operating temperatures from -15°C to 60°C

Operating environments of higher than 120°C or lower than -15°C of operating temperatures, please contact FBJ sales or engineering department.

4. LUBRICATION, CLEARANCE AND SPEED LIMITS OF FBJ PILLOW BLOCKS

4.1 BEARING LUBRICATION

Bearing lubrication reduces friction and wear, acts as a coolant, minimizes contamination, prevents corrosion, and generally extends bearing life. Selecting the best lubricant for your specific application becomes a very important decision; however, choosing from the hundreds available lubricants can be an overwhelming task. FBJ engineering staff is available to help make the right decision for your application.

FBJ bearing Inserts with pressed steel housings are for life lubrication and filled with high quality multipurpose grease, with the correct quantity. These bearings cannot be re-lubricate.

Bearing Inserts with Cast iron housings or Thermo Plastic housings are equipped with a grease nipple and also filled with high quality multipurpose grease and with the correct quantity. These bearings are to be re-lubricate after the recommended hours of initial operation, to ensure a long life and smooth running.

It is important to use the correct grease with correct amount in the correct replenishment period.

Table 4.1.1

Bore Dia Ref	Replenishment Grease Quantity (g)			Bore Dia Ref	Replenishment Grease Quantity (g)		
	UC2, UK2	UCX, UKX	UC3, UK3		UC2, UK2	UCX, UKX	UC3, UK3
01	1.8	–	–	11	10.3	13.2	25
02	1.8	–	–	12	13.2	14.9	31
03	1.8	–	–	13	14.9	18.2	39
04	1.8	–	–	14	18.2	21.0	47
05	1.8	3.3	4.2	15	21.0	25.0	56
06	3.3	4.5	5.9	16	25.0	31.0	65
07	4.5	5.6	8.1	17	31.0	38.0	78
08	5.6	6.5	10.1	18	38.0	48.0	90
09	6.5	7.7	12.6	19	–	–	108
10	7.7	10.3	18.1	20	–	–	141

Table 4.1.2 Grease Replenishment Period

Ambient Condition	Bearing Operating Temperature °C		Replenishment Period	
	Over	Below	d _n : Under 50000	d _n : Over 50000
Fairly Clean	–	50	No supply	18 ~ 30 Months
	50	70	12 ~ 18 Months	6 ~ 12 Months
	70	100	4 ~ 8 Months	1 ~ 3 Months
	100	–	2 ~ 4 Weeks	1 ~ 2 Weeks
Somewhat Dusty	–	50	1 ~ 2 Years	6 ~ 12 Months
	50	70	4 ~ 8 Months	2 ~ 4 Months
	70	100	3 ~ 6 Weeks	2 ~ 4 Weeks
	100	–	1 ~ 2 Weeks	Every Week
Considerable Dusty	–	70	1 ~ 2 Months	3 ~ 6 Weeks
	70	100	2 ~ 4 Weeks	1 ~ 2 Weeks
	100	–	1 ~ 7 Days	1 ~ 3 Days
Much Moisture and Water Splash	–	–	1 ~ 3 Days	Every Day

$d_n = d \text{ (shaft diameter in mm)} \times n \text{ (speed in rpm)}$

4.2 CLEARANCE OF FBJ BEARING INSERTS

All FBJ cylindrical bore insert bearings are of normal clearance and tapered bore insert bearings are of C3 clearance. If you need any special clearance other than this, please consult FBJ Engineering department.

Table 4.2.1

Bore Dia Ref (d)		Clearance (µm)			
(mm)		Normal		C3	
Over	Incl	Min.	Max.	Min.	Max.
2.5	10	2	13	8	23
10	18	3	18	11	25
18	24	5	20	13	28
24	30	5	20	13	28
30	40	6	20	15	33
40	50	6	23	18	36
50	65	8	28	23	43
65	80	10	30	25	51
80	100	12	36	30	58
100	120	15	41	36	66

4.3 SPEED LIMITS FOR FBJ PILLOW BLOCK BEARING INSERTS

Table 4.3.1

BEARING NUMBER	MAX SPEED (rpm)	BEARING NUMBER	MAX SPEED (rpm)	BEARING NUMBER	MAX SPEED (rpm)	BEARING NUMBER	MAX SPEED (rpm)	BEARING NUMBER	MAX SPEED (rpm)
UC, UK 201	5800	-	-	-	-	-	-	SA, SB 201	6800
UC, UK 202	5800	-	-	-	-	-	-	SA, SB 202	6800
UC, UK 203	5800	-	-	-	-	-	-	SA, SB 203	6800
UC, UK 204	5800	-	-	-	-	SSUC 204	5000	SA, SB 204	5800
UC, UK 205	5100	UC, UK X 05	4300	UC, UK 305	4600	SSUC 205	4000	SA, SB 205	5100
UC, UK 206	4300	UC, UK X 06	3700	UC, UK 306	3900	SSUC 206	3300	SA, SB 206	4300
UC, UK 207	3700	UC, UK X 07	3300	UC, UK 307	3400	SSUC 207	3200	SA, SB 207	3700
UC, UK 208	3300	UC, UK X 08	3100	UC, UK 308	3100	SSUC 208	2800	SA, SB 208	3300
UC, UK 209	3100	UC, UK X 09	2800	UC, UK 309	2700	SSUC 209	2600	SA, SB 209	3100
UC, UK 210	2800	UC, UK X 10	2500	UC, UK 310	2400	SSUC 210	2300	SA, SB 210	2800
UC, UK 211	2500	UC, UK X 11	2300	UC, UK 311	2300	SSUC 211	2000	SA, SB 211	2500
UC, UK 212	2300	UC, UK X 12	2200	UC, UK 312	2100	SSUC 212	1800	SA, SB 212	2300
UC, UK 213	2200	UC, UK X 13	2100	UC, UK 313	1900	-	-	-	-
UC, UK 214	2100	UC, UK X 14	2000	UC, UK 314	1800	-	-	-	-
UC, UK 215	2000	UC, UK X 15	1800	UC, UK 315	1700	-	-	-	-
UC, UK 216	1800	UC, UK X 16	1700	UC, UK 316	1600	-	-	-	-
UC, UK 217	1700	UC, UK X 17	1600	UC, UK 317	1500	-	-	-	-
UC, UK 218	1600	-	-	UC, UK 318	1400	-	-	-	-
-	-	-	-	UC, UK 319	1400	-	-	-	-
-	-	-	-	UC, UK 320	1300	-	-	-	-

5. BEARING LIFE OF FBJ PILLOW BLOCK UNITS

Any bearing, even operating under normal conditions, the surfaces of the raceway and rolling elements are constantly being subjected to repeated compressive stresses which cause flaking of these surfaces to occur. This flaking is due to material fatigue and will eventually cause the bearings to fail.

When bearing is stationary, still the rolling elements are subjected to static loads. This leads to a plastic total deformation of rolling element and raceway of about 0.0001 of the rolling element diameter at the most heavily loaded contact area.

The life of bearing is regarded as expired when the revolution fatigue is produced on the rolling face of bearing. In reference with this life, the Load rating is defined where the load is applied under certain conditions.

The life of each bearing is defined as the total number of revolution until the first flaking mark due to fatigue appears. When the number of rotation is constant, it is shown by the total time until the first flaking mark appears. Even if same type of bearings of excellent materials with same design and finished by the same heat treatment and manufacturing processes are driven under the same conditions, the lives of bearings scatter to some extent due to uncontrollable differences in them. Therefore, it is not adequate to use the mean life as the standard life of bearings.

The rated Life is defined here as the total number of rotations or time of driving after which 90% of the bearings of a group under test remains without fatigue.

The basic load rating is the pure radial load of constant direction and magnitude which gives the rated life of 10^6 rotations when the outer ring is fixed and the inner ring is rotated. There exists the following relationship between the basic load rating and the life.

$$L_n = \left(\frac{C}{P} \right)^K$$

Where, **L_n** : rated life in total number of rotations which unit is **10⁶** rotations.
(When **L_n = 3**, it means **3 million** rotations.)

- C** : basic load rating **kgf**
- K** : coefficient (3 for ball bearing and $\frac{10}{3}$ for roller bearing)
- P** : load (equivalent radial load) **kgf**

When the bearings are installed to an apparatus rotating at a constant number of rotation, the lives are mostly estimated by driving hours, and the following equation which is modified by the above equation is used.

$$L_h = \frac{10^6}{60} \frac{L_n}{n} = \frac{10^6}{60n} \left(\frac{C}{P} \right)^K = \frac{50000}{3n} \left(\frac{C}{P} \right)^K$$

where **L_h** : rated life time in total rotating time, **hour**
n : speed of rotation, **r.p.m.**

The above equation can be modified to give an equation which is convenient to actual designing

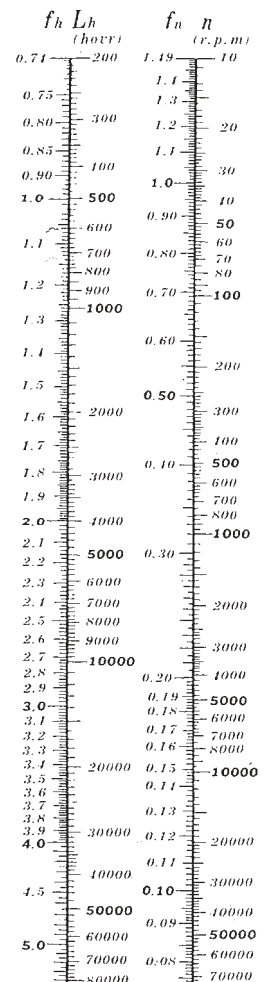
$$L_h = 500f_h K$$

$$f_h = f_n \cdot \frac{C}{P}$$

$$f_n = \left(\frac{33.3}{n} \right)^{\frac{1}{K}}$$

where, **f_h** : life factor
f_n : speed factor

Please refer to the nomogram at the right hand, which shows the values of **n:f_n** and **L_h:f_h** for the ball bearing.



6. ALLOWABLE LOAD FOR FBJ HOUSINGS

It is important, not only the dynamic and static load capacity of a bearing insert, but also to consider destruction strength of the housing, before you select the correct bearing for your application.

FBJ has done extensive research on this and present below tables to ease your problems. Please note that, allowable load varies depending on load direction and type of the housing.

6.1 ALLOWABLE LOAD FOR P TYPE CAST IRON HOUSINGS

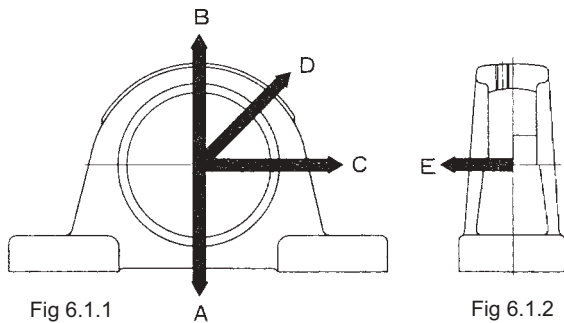


Table 6.1.1

Housing Number	Destruction Strength / (N) and Load Direction				
	A	B	C	D	E
P203	7100	3000	5000	2300	1100
P204	8100	3300	5600	2500	1700
P205	9400	3700	6100	2800	1800
P206	12000	5000	9000	3500	2200
P207	16000	6100	10000	4400	2400
P208	18000	6600	11000	4600	2500
P209	19000	7000	12000	4900	2600
P210	19000	7500	14000	5700	3200
P211	21000	8200	15000	6000	3400
P212	28000	11000	17000	7300	4400
P213	29000	12000	19000	8300	5100
P214	32000	12000	20000	8400	5600
P215	33000	13000	21000	9200	5800
P216	36000	15000	27000	11000	6600
P217	45000	17000	28000	12000	7500
P218	48000	19000	33000	13000	12000

Table 6.1.2

Housing Number	Destruction Strength / (N) and Load Direction				
	A	B	C	D	E
PX05	13000	5000	9000	3500	2300
PX06	17000	6200	10000	4500	3100
PX07	19000	6800	11000	4800	3400
PX08	20000	7500	13000	5300	3900
PX09	22000	8200	14000	5700	4200
PX10	25000	10000	16000	6900	5200
PX11	28000	11000	18000	7600	5600
PX12	30000	13000	20000	8800	6400
PX13	36000	13000	20000	9200	6700
PX14	37000	14000	23000	9800	7100
PX15	39000	18000	30000	13000	9200
PX16	43000	19000	31000	13000	9400
PX17	50000	21000	35000	15000	10000

Table 6.1.3

Housing Number	Destruction Strength / (N) and Load Direction				
	A	B	C	D	E
P305	15000	4500	7100	3400	2600
P306	18000	6100	8400	4200	3000
P307	20000	6300	11000	5400	3800
P308	22000	7500	12000	5700	4800
P309	27000	8500	15000	6800	6300
P310	34000	9800	16000	7100	7900
P311	36000	11000	23000	8000	8600
P312	32000	13000	24000	8900	9000
P313	37000	15000	25000	10000	9300
P314	40000	16000	27000	10000	9500
P315	43000	18000	30000	12000	11000
P316	47000	19000	35000	13000	12000
P317	49000	21000	36000	15000	13000
P318	55000	22000	38000	16000	13000
P319	60000	24000	42000	18000	14000
P320	68000	27000	56000	19000	17000

6.2 ALLOWABLE LOAD FOR FLANGE TYPE CAST IRON HOUSINGS

www.exvalos.cz

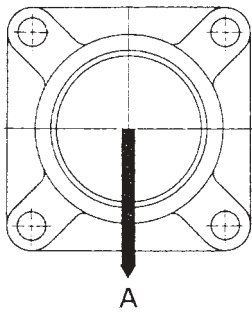


Fig 6.2.1

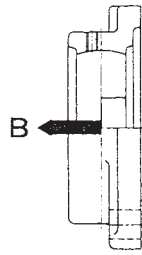


Fig 6.2.2

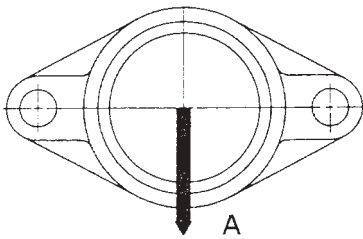


Fig 6.2.3

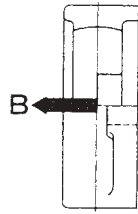


Fig 6.2.4

Table 6.2.1

Housing Number		Destruction Strength / (N) and Load Direction			
		F2		FL2	
		A	B	A	B
F204	FL204	4300	1800	2400	1200
F205	FL205	6700	2500	3800	1600
F206	FL206	6700	3000	3800	2000
F207	FL207	6500	3600	4100	2300
F208	FL208	7100	3900	4100	2700
F209	FL209	10000	4700	6200	3200
F210	FL210	10000	5000	6200	3900
F211	FL211	9200	5700	7400	4400
F212	FL212	9200	6200	8800	4800
F213	FL213	17000	6900	9800	6200
F214	FL214	19000	7600	10000	7000
F215	FL215	19000	8000	11000	7200
F216	FL216	17000	8600	13000	8600
F217	FL217	21000	9500	14000	9400
F218	FL218	25000	11000	14000	14000

Table 6.2.2

Housing Number		Destruction Strength / (N) and Load Direction			
		FX		FLX	
		A	B	A	B
FX05	FLX05	6700	3100	3100	2300
FX06	FLX06	5000	3800	2800	2900
FX07	FLX07	6600	4300	3000	3700
FX08	FLX08	7200	4800	3800	4100
FX09	FLX09	7200	5200	4100	5300
FX10	FLX10	10000	5800	5100	5700
FX11		10000	6600		
FX12		16000	7800		
FX13		16000	8000		
FX14		19000	8900		
FX15		21000	8500		
FX16		19000	10000		
FX17		19000	10000		

Table 6.2.3

Housing Number		Destruction Strength / (N) and Load Direction			
		F3		FL3	
		A	B	A	B
F305	FL305	7200	3500	3800	2100
F306	FL306	8300	4400	6800	2300
F307	FL307	10000	5100	6600	2800
F308	FL308	13000	6100	6400	3700
F309	FL309	11000	6600	9900	4000
F310	FL310	15000	7900	11000	5500
F311	FL311	17000	7800	11000	5900
F312	FL312	19000	9700	12000	6100
F313	FL313	17000	9000	12000	8300
F314	FL314	23000	9800	17000	8700
F315	FL315	27000	11000	15000	9500
F316	FL316	24000	12000	20000	11000
F317	FL317	27000	13000	20000	7500
F318	FL318	34000	14000	23000	14000
F319	FL319	32000	17000	27000	19000
F320	FL320	38000	18000	28000	20000

6.3 ALLOWABLE LOAD FOR TAKE UP UNIT CAST IRON HOUSINGS

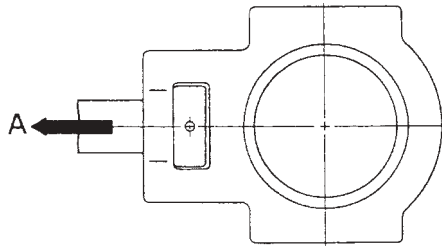


Fig 6.3.1

Table 6.3.1

Housing Number			Destruction Strength / (N) and Load Direction		
			T2	TX	T3
			A	A	A
T204			3400		
T205	TX05	T305	3800	4100	5300
T206	TX06	T306	4100	5700	6200
T207	TX07	T307	5800	7800	7100
T208	TX08	T308	8200	7800	8100
T209	TX09	T309	7800	8500	9300
T210	TX10	T310	8600	9400	11000
T211	TX11	T311	9700	11000	12000
T212	TX12	T312	10000	13000	13000
T213	TX13	T313	13000	13000	15000
T214	TX14	T314	13000	13000	17000
T215	TX15	T315	13000	13000	18000
T216	TX16	T316	14000	15000	20000
T217	TX17	T317	16000	16000	21000
		T318			25000
		T319			27000
		T320			32000

6.4 ALLOWABLE LOAD FOR PEDASTAL TYPE CAST IRON HOUSINGS

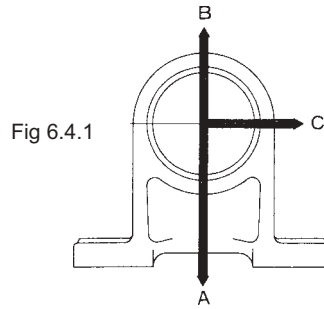


Fig 6.4.1

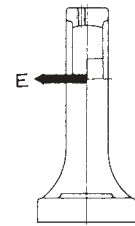


Fig 6.4.2

Table 6.4.1

Housing Number	Destruction Strength / (N) and Load Direction			
	A	B	C	E
PH204	8000	2700	1800	1700
PH205	9200	3000	2000	1800
PH206	11000	4100	2800	2200
PH207	15000	4900	3200	2400
PH208	17000	5300	3500	2500
PH209	18000	5700	3900	2600
PH210	19000	6100	4400	3200
PH211	20000	6500	5000	3600
PH212	21000	7000	5500	4000
PH213	22000	7700	6000	4600
PH214	24000	8300	6600	5200
PH215	26000	9000	7400	6000
PH216	28000	9800	8000	6600

6.5 ALLOWABLE LOAD FOR ALL PRESSED STEEL HOUSINGS

Load capacity of, every pressed steel type housing is to be as follows.

Load capacity of radial direction = Basic Dynamic Load / 6

Load capacity of thrust direction = Basic Dynamic Load / 18

6.6 ALLOWABLE LOAD FOR THERMO-PLASTIC HOUSINGS

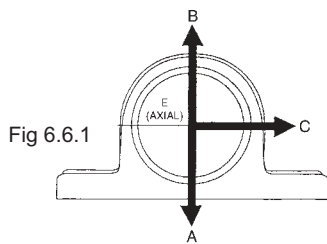


Fig 6.6.1

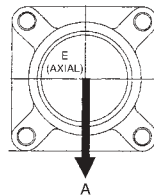


Fig 6.6.2

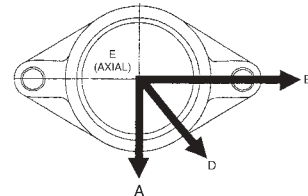


Fig 6.6.3

Table 6.6.1

Housing Number	DESTRUCTION STRENGTH / (N) and Load Direction									
	SPP				SPF		SPFL			
	A	B	C	E	A	E	A	B	D	E
204	16600	5600	7000	3000	14700	340	7400	5600	6600	3300
205	19600	5800	7400	3200	15700	340	7600	8000	8400	3300
206	28300	6000	8600	4000	17600	340	8500	10800	10300	3300
207	38300	6600	10300	5700	18100	350	10700	13800	12200	3400
208	44500	11100	12100	8500	18600	380	15100	17300	14000	3700
209	50000	11800	13800	9600	19600	420	18300	21000	16000	4100
210	54000	12400	15200	10900	21040	530	21000	24600	18500	4800
211	60000	13100	16300	11700	23500	670	25320	29200	21000	5300
212	68000	14000	17400	13400	27000	780	28400	33400	24000	6100

7. MOUNTING OF FBJ PILLOW BLOCK UNITS

7.1 Mounting on Shaft

Table 7.1

TIGHTENING TORQUE FOR SET SCREW

Bearing Number	Set Screw	Tightening Torque
SB201~SB203 SER201~SER203	M 5X0.8	30
SB204~SB207 SER204~SER206 UC201~UC206 (SSUC201~SSUC206) UCX05 UC305~UC306	M 6X1	40
SB208 SER207~SER209 UC207~UC209 (SSUC207~SSUC209) UCX06~UCX08 UC307	M 8X1	85
SER210~SER212 UC210~UC212 (SSUC210~SSUC212) UCX09~UCUCX11 UC308~UC309	M 10X1.25	175
UC213~UC218 UCX12~UCX17 UC310~UC314	N 12X1.5	280
UC315~UC316	M 14X1.5	350
UC317~UC319	M 16X1.5	560
UC320	M 18X1.5	620



Fig 7.1.1

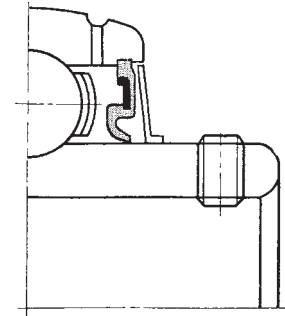


Fig 7.1.2

7.1.1 Set Screw Method

Two knurled cup-point, self locking, socket-head set screws (Fig 7.1.1) fitted at 120° apart in the extended inner ring of the bearing insert.

For standard loads and moderate speeds simply mount the bearing unit into position and tighten down the set screw to the recommended torque value. Additional security can be achieved by spot drilling the shaft to accommodate the set screw point. Using the correct size of socket head wrench tightens the set screw to recommended torque.

A lock washer is provided which prevents the locknut backing off when one of the tabs is engaged with the corresponding notch in the locknut.

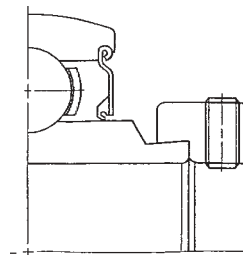


Fig 7.2.1

7.1.2 Eccentric Lock Collar Method

Here, an eccentric diameter formed on the extended inner ring of the bearing which engages a similarly formed eccentric diameter in the bore of a separate collar.

Locking is achieved by turning the collar in the direction of shaft rotation until the eccentric diameters of both collar and inner ring are fully engaged. The collar is provided with a blind hole to facilitate tightening when locking the bearing to the shaft. The set screw when tightened to the recommended torque values prevents the collar backing off in service.

7.1.3 Adapter Sleeve Method

This consists of a standard adapter sleeve, locknut and lock washer.

When fitting the bearing to the shaft, care must be taken to ensure that the locknut is not over tightened as this can reduce or eliminate the required bearing internal clearance, resulting in premature failure.

The proper tightening condition can be obtained, firstly tightening the locknut by hand and then rotating 2/5 to 3/5 revolutions by a spanner.

A lock washer is provided which prevents the lock nut backing off when one of the tabs is engaged with the corresponding notch in the locknut.

7.2 Shaft Selection

Standard mounting of cylindrical bore insert bearing to the shaft is loose fit. Still, selection of shaft has to consider the speed of the insert bearing. Below table provide you the dimensional accuracy of your shaft to be made for loose fit, in order to facilitate you smooth running.

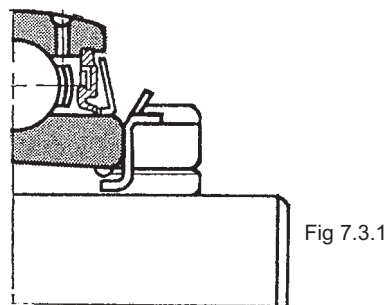
Table 7.2.1

Shaft Dia (mm)		Shaft Tolerance (m)							
		j6		h6		h7		h8	
Over	incl	Max	Min	Max	Min	Max	Min	Max	Min
10	18	+ 8	- 3	0	-11	0	-18	0	-27
18	30	+ 9	- 4	0	-13	0	-21	0	-33
30	50	+11	- 5	0	-16	0	-25	0	-39
50	80	+12	- 7	0	-19	0	-30	0	-46
80	120	+13	- 9	0	-22	0	-35	0	-54
120	180	+14	-11	0	-25	0	-40	0	-63
Limit of dn value		above 120000		above 100000 up to 120000		above 60000 up to 100000		60000 and below	

dn value = d (shaft diameter in mm) x n (speed in rpm)

7.3 Mounting of Housing

To prevent any damage to the insert bearing due to faulty installation, Housing unit should always be bolted to a base which is to be flat and rigid. The bearing center alignment angle of +3° is required for the mounting base. In case of bearing unit with cover, this angle is restricted to +1°.



TYPE OF FBJ BALL BEARING UNITS AND BEARINGS

Pillow Blocks

UCP 2	(Normal duty).....	22
UKP 2	(Normal duty)	
NAP 2	(Normal duty).....	23
UCPA 2	(Normal duty)	
UCPH 2	(Normal duty)	
UCP X	(Medium duty).....	26
UCP 3	(Heavy duty).....	27

Flange Units

UCF 2	(Normal duty).....	28
UKF 2	(Normal duty)	
NAF 2	(Normal duty).....	29
UCFL2	(Normal duty)	
UKFL 2	(Normal duty)	
NAFL 2	(Normal duty)	
UCFA 2	(Normal duty)	
UCFB 2	(Normal duty)	
UCFC 2	(Normal duty)	
UKFC 2	(Normal duty)	
NAFC 2	(Normal duty)	
UCF X	(Medium duty)	
UCFL X	(Medium duty)	
UCFC X	(Medium duty)	
UCF 3	(Heavy duty)	
UCFS 3	(Heavy duty)	
UCFL 3	(Heavy duty)	

Hanger Unit

UCHA 2	(Normal duty).....	43
--------	--------------------	----

Cartridge Units

UCC2	(Normal duty)	
UKC 2	(Normal duty)	
NAC 2	(Normal duty)	
UCC X	(Medium duty)	

Take Up Units

UCT 2	(Normal duty)	
UKT 2	(Normal duty)	
NAT 2	(Normal duty)	
UCT X	(Medium duty)	
UCT 3	(Heavy duty)	

Light Duty Types

SALF 2	(Light duty).....	58
SBLF 2	(Light duty).....	58

Pressed Steel Units

SAPP 2	(Light duty).....	60
SBPP 2	(Light duty).....	60
SAPF 2	(Light duty).....	61
SBPF 2	(Light duty).....	61
SAPFL 2	(Light duty).....	62
SBPFL 2	(Light duty).....	62
SAPFT 2	(Light duty).....	63
SBPFT 2	(Light duty).....	63

Discharrow Units

ST 2, ST 4, ST 7

Bearing Inserts

UC 2	(Normal duty).....	64
UK 2	(Normal duty)	
NA 2	(Normal duty).....	65
CS 2	(Light duty).....	66
SER	(Normal duty).....	69
UC X	(Medium duty).....	70
UC 3	(Heavy duty).....	71
SA 2	(Light duty).....	72

CONVERSION GUIDE

CONVERSION FORMULAE

LENGTH

<i>To convert</i>	<i>Multiply by</i>
milli-inches into micrometres	25.4
inches into millimetres	25.4
inches into centimetres	2.54
inches into metres	0.0254
feet into millimetres	304.8
feet into centimetres	30.48
feet into metres	0.3048
yards into metres	0.9144
fathoms into metres	1.8288
chains into metres	20.1168
furlongs into metres	201.168
miles, statute into kilometres	201.168
miles, nautical into kilometres	1.852

VOLUME & CAPACITY

<i>To convert</i>	<i>Multiply by</i>
cubic inches into cubic centimetres	16.387064
cubic inches into litres	0.016387
cubic feet into cubic metres	0.0283168
cubic feet into litres	28.316847
cubic yards into cubic metres	0.7645549
UK pints into litres	0.5682613
UK quarts into litres	1.1365225
UK gallons into litres	4.54609
UK gallons into cubic metres	0.0045461
UK fluid ounces into cubic centimetres	28.413063

AREA

<i>To convert</i>	<i>Multiply by</i>
square inches into square millimetres	645.16
square inches into square centimetres	6.4516
square feet into square centimetres	929.0304
square feet into square metres	0.092903
square yards into square metres	0.836127
square yards into acres	0.083613
acres into square metres	4046.8564
acres into hectares	0.4046856
square miles into square kilometres	2.589988

MASS

<i>To convert</i>	<i>Multiply by</i>
grains into milligrams	64.79891
grains into metric carats	0.323995
grains into grams	0.064799
pennyweights into grams	1.555174
ounces into grams	28.349523
ounces troy into grams	31.103477
ounces into kilograms	0.0283495
pounds into kilograms	0.4535924
stones into kilograms	6.3502932
hundredweights into kilograms	50.802345
tons into kilograms	1016.0469
tons into metric tonnes	1.01605
tahils into grams	37.799
kati into kilograms	0.60479

POWER

<i>To convert</i>	<i>Multiply by</i>
foot pounds-force per second into watts	1.35582
horsepower into watts	745.7
foot pounds-force per second into kilowatts	0.001356
horsepower into kilowatts	0.7457
horsepower into metric horsepower	1.01387

VELOCITY

<i>To convert</i>	<i>Multiply by</i>
feet per second into centimetres per second	30.48
feet per second into metres per second	0.3048
miles per hour into kilometers per hour	1.609344

FORCE

<i>To convert</i>	<i>Multiply by</i>
pounds force into newtons	4.44822
poundals into newtons	0.138255

TEMPERATURE

To convert from degrees Fahrenheit to Centigrade:	To convert from degrees Centigrade to Fahrenheit:
$(X^{\circ} F - 32) \times \frac{5}{9} = Y^{\circ} C$	$(Y^{\circ} C \times \frac{9}{5}) + 32 = X^{\circ} F$

MOTOTING CONVERSIONS

These Conversion charts indicate relative values. They are intended only as a guide and should not be used to calculate higher values where more than three decimal places would be needed.

FUEL CONSUMPTION

L/100km	=	mile/gal	mile/gal	=	L/100km
6.0	=	47.06	10	=	28.248
7.0	=	40.34	12	=	23.540
8.0	=	35.30	14	=	20.177
8.5	=	33.22	16	=	17.655
9.0	=	31.38	18	=	15.693
9.5	=	29.73	20	=	14.124
10.0	=	28.024	22	=	12.840
10.5	=	26.90	24	=	11.710
11.0	=	25.67	26	=	10.864
11.5	=	24.56	28	=	10.088
12.0	=	23.53	30	=	9.416
12.5	=	22.59	32	=	8.827
13.0	=	21.72	34	=	8.308
13.5	=	20.92	36	=	7.846
14.0	=	20.17	38	=	7.433
14.5	=	19.48	40	=	7.062
15.0	=	18.83	42	=	6.726
16.0	=	17.65	43	=	6.561
17.0	=	16.61	44	=	6.420
18.0	=	15.69	45	=	6.279
19.0	=	14.86	46	=	6.137
20.0	=	14.12	47	=	5.996
21.0	=	13.44	48	=	5.855
22.0	=	12.83	49	=	5.713
23.0	=	12.27	50	=	5.572

TYRE PRESSURE

lbf/in	=	kPa	kPa	=	lbf/in
25	=	172.36	155	=	22.48
26	=	179.26	160	=	23.20
27	=	186.16	165	=	23.93
28	=	193.05	170	=	24.66
29	=	199.95	175	=	25.38
30	=	206.84	180	=	26.11
31	=	213.74	185	=	26.83
32	=	220.63	190	=	27.56
33	=	227.53	195	=	28.28
34	=	234.42	200	=	29.00
35	=	241.31	205	=	29.73

SPEED

km/h	=	mile/h	mile/h	=	km/h
5.00	=	3.12	10	=	16
10.00	=	6.25	15	=	24
15.00	=	9.37	20	=	32
20.00	=	12.50	25	=	40
25.00	=	15.62	30	=	48
30.00	=	18.75	35	=	56
35.00	=	21.87	40	=	64
40.00	=	25.00	45	=	72
45.00	=	28.12	50	=	80
50.00	=	31.25	55	=	88
55.00	=	34.37	60	=	96
60.00	=	37.50	65	=	104
65.00	=	40.62	70	=	112
70.00	=	43.75	75	=	120
75.00	=	46.87	80	=	128
80.00	=	50.00	85	=	136
85.00	=	53.12	90	=	144
90.00	=	56.25	95	=	152
95.00	=	59.37	100	=	160
100.00	=	62.50	105	=	168
105.00	=	65.62	110	=	176
110.00	=	68.75	115	=	184
115.00	=	71.87	120	=	192
120.00	=	75.00	125	=	200
130.00	=	81.25	130	=	208
140.00	=	87.50	135	=	216
150.00	=	93.75	140	=	224

IMPERIAL SYSTEM

LENGTH

1000 milli-inches	=	1 inch
12 inches	=	1 foot
3 feet	=	1 yard
5.5 yards	=	1 rod
220 yards	=	1 furlong
40 rods	=	1 furlong
5280 feet	=	1 mile
1760 yards	=	1 mile
8 furlongs	=	1 mile
3 miles	=	1 league
25 links	=	1 rod
100 links	=	1 chain
66 feet	=	1 chain
22 yards	=	1 chain
4 rods	=	1 chain

LENGTH (NAUTICAL)

6 feet	=	1 fathom
100 fathoms (approx)	=	1 cable length
10 cable lengths	=	1 nautical mile

AREA

144 sq ins	=	1 sq foot
9 sq feet	=	1 sq yard
30.25 sq	=	1 sq rod
484 sq yds	=	1 sq chain
1210 sq yds	=	1 rood
4840 sq yds	=	1 acre
160 sq rods	=	1 acre
640 acres	=	1 sq mile

AVOIRDUPOIS WEIGHT

437.5 grains	=	1 ounce
16 drams	=	1 ounce
7000 grains	=	1 pound
256 drams	=	1 pound
16 ounces	=	1 pound
14 pounds	=	1 stone
2 stones	=	1 quarter
100 pounds	=	1 cental
112 pounds	=	1 cwt
4 quarters	=	1 cwt
35840 ounces	=	1 ton
2240 pounds	=	1 ton
20 cwts	=	1 ton

APOTHECARIES' WEIGHT

20 grains	=	1 scuple
3 scuples	=	1 dram
8 drams	=	1 ounce
12 ounces	=	1 pound

Ounce and pound are the same as in Troy Weight.

TROY WEIGHT

24 grains	=	1 pwt
20 pwt	=	1 ounce
12 ounces	=	1 pound

Used for weighting gold, silver and jewels.

VOLUME

1728 cu ins	=	1 cu foot
46656 cu ins	=	1 cu yard
27 cu ins	=	1 cu yard

CAPACITY

8 fluid drams	=	1 fluid ounce
5 fluid ounces	=	1 gill
20 fluid ounces	=	1 pint
4 gills	=	1 pint
40 fluid ounces	=	1 quart
2 pints	=	1 quart
160 fluid ounces	=	1 gallon
8 pints	=	1 gallon
4 quarts	=	1 gallon
2 gallons	=	1 peck
4 pecks	=	1 bushel
8 gallons	=	1 bushel
64 gallons	=	1 quarter
31 1/2 gallons	=	1 barrel
2 barrels	=	1 hogshead

MARINERS' MEASURE

6 feet	=	1 fathom
120 fathoms	=	1 cable length
7 1/2 cable lengths	=	1 mile
5,280.2 feet	=	1 statute mile
6,080.2 feet	=	1 nautical mile

SURVEYORS' MEASURE

7.92 inches	=	1 link
25 links	=	1 rod
4 rods	=	1 chain
10 sq chains	=	1 acre
or 160 sq rods		
640 acres	=	1 square mile
36 sq miles (6 miles sq)	=	1 township

METRIC SYSTEM

LENGTH

1000 picometres	=	1 nanometre
1000 nanometres	=	1 micrometre
1000 micrometres	=	1 millimetre
10 millimetres	=	1 centimetre
100 millimetres	=	1 decimetre
10 centimetres	=	1 decimetre
1000 millimetres	=	1 metre
100 millimetres	=	1 metre
10 decimetres	=	1 metre
100 metres	=	1 hectometre
1000 metres	=	1 kilometre
1852 nautical metres	=	1 international nautical mile

AREA

100 sq millimetres	=	1 sq centimetre
100 sq centimetres	=	1 sq decimeter
10 000 sq centimetres	=	1 sq metre
100 sq decimetres	=	1 sq metre
10 000 sq metres	=	1 hectare
100 hectares	=	1 sq kilometre

MASS

1000 micrograms	=	1 milligram
200 milligrams	=	1 metric carat
1000 milligrams	=	1 gram
5 metric carats	=	1 gram
1000 grams	=	1 kilogram
1000 kilograms	=	1 megagram
	=	1 tonne

ENERGY (WORK & HEAT)

1000 millijoules	=	1 joule
1000 joules	=	1 kilojoule
1000 kilojoules	=	1 megajoule
3.6 megajoules	=	1 kilowatt hour
1000 megajoules	=	1 gigajoule
1000 gigajoules	=	1 terajoule

TIME

1000 nanoseconds	=	1 microsecond
1000 microseconds	=	1 millisecond
1000 milliseconds	=	1 second
1000 seconds	=	1 kilosecond

VELOCITY

3.6 kilometres per hour	=	1 metre per second
3600 kilometres per hour	=	1 kilometre per second

ELECTRICITY & MAGNETISM

1000 picoamperes	=	1 nanoampere
1000 nanoamperes	=	1 microampere
1000 microamperes	=	1 milliampere
1000 milliamperes	=	1 ampere
1000 amperes	=	1 kiloampere
1000 millicoulombs	=	1 coulomb
1000 coulombs	=	1 kilocoulomb
1000 microvolts	=	1 millivolt
1000 millivolts	=	1 volt
1000 volts	=	1 kilovolt
1000 kilovolts	=	1 megavolt
1000 microhms	=	1 milliohm
1000 milliohms	=	1 ohm
1000 ohms	=	1 kilohm
1000 kilohms	=	1 megohm
1000 megohms	=	1 gigohm
1000 millisiemens	=	1 siemen
1000 millihenrys	=	1 henry
1000 milliteslas	=	1 tesla

POWER

1000 microwatts	=	1 milliwatt
1000 milliwatts	=	1 watt
1000 watts	=	1 kilowatt
1000 kilowatts	=	1 megawatt
1000 megawatts	=	1 gigawatt
1000 gigawatts	=	1 terawatt

VOLUME & CAPACITY

1000 cu millimetres	=	1 cu millimetre
1000 centimetres	=	1 cu decimeter
1000 cu decimeters	=	1 cu metre
1 millilitre	=	1 centimetre
10 millilitres	=	1 centilitre
10 centilitres	=	1 decilitre
1000 millilitres	=	1 litre
100 centilitres	=	1 litre
100 litres	=	1 hectolitre
1000 litres	=	1 kilolitre
	=	1 cu metre
10 hectolitres	=	1 kilolitre

PRESSURE AND STRESS

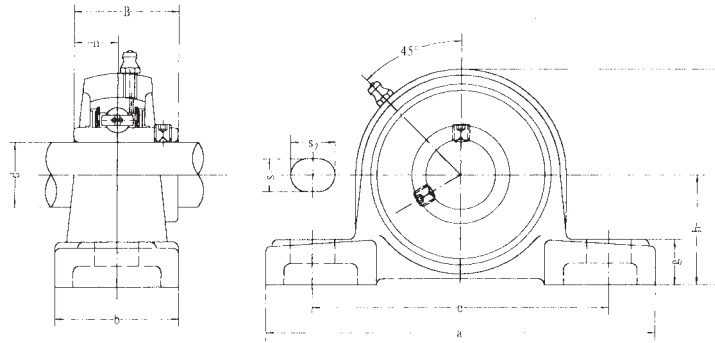
1000 micropascals	=	1 millipascal
1000 millipascals	=	1 pascal
100 pascals	=	1 millibar
1000 pascals	=	1 kilopascal
10 millibars	=	1 kilopascal
1000 kilopascals	=	1 megapascal
1000 megapascals	=	1 gigapascal

DENSITY & CONCENTRATION

1 gram per cu metre	=	1 milligram per cu decimetre
1000 milligrams per cu decimetre	=	1 gram per cu decimetre
	=	1 kilogram per cu metre
1000 kilograms per cu metre	=	1 tonne per cu metre
	=	1 kilogram per cu decimetre

FORCE

1000 micronewtons	=	1 micronewton
1000 millinewtons	=	1 newton
1000 newtons	=	1 kilonewton
1000 kilonewtons	=	1 meganewton

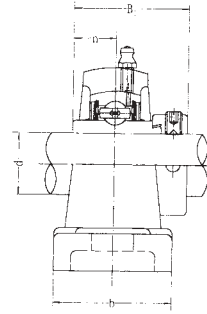
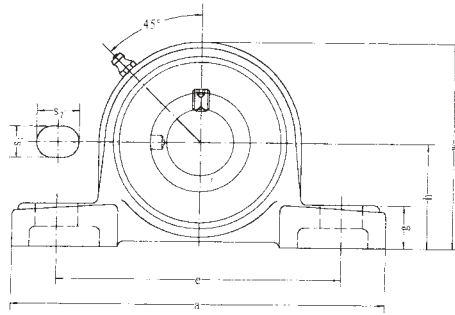


Unit No.	Dimensions mm inch											Bolt Size mm inch	Bearing No.	Housing No.	Weight (kg)
	d	h	a	e	b	S ₁	S ₂	g	w	B	n				
*UCP 201 *UCP 201-8	12 3/4	30.2 1-3/16	127 5	95 3-3/4	38 1-1/2	13 1/2	19 3/4	14 9/16	62 2-7/16	31 1.2205	12.7 0.500	M10 3/8	UC 201 UC 201-8	P203	0.69 0.69
*UCP 202 *UCP 202-9 *UCP 202-10	15 9/16 5/8	30.2 1-3/16	127 5	95 3-3/4	38 1-1/2	13 1/2	19 3/4	14 9/16	62 2-7/16	31 1.2205	12.7 0.500	M10 3/8	UC 202 UC 202-9 UC 202-10	P203	0.69 0.69 0.69
*UCP 203 *UCP 203-11	17 11/16	30.2 1-3/16	127 5	95 3-3/4	38 1-1/2	13 1/2	19 3/4	14 9/16	62 2-7/16	31 1.2205	12.7 0.500	M10 3/8	UC 203 UC 203-11	P203	0.68 0.67
*UCP 204 *UCP 204-12	20 3/4	33.3 1-5/16	127 5	95 3-3/4	38 1-1/2	13 1/2	19 3/4	14 9/16	65 2-9/16	31 1.2205	12.7 0.500	M10 3/8	UC 204 UC 204-12	P204	0.66 0.66
*UCP 205 *UCP 205-13 *UCP 205-14 *UCP 205-15 *UCP 205-16	25 13/16 7/8 15/16 1	36.5 1-7/16	140 5-1/2	105 4-1/8	38 1-1/2	13 1/2	19 3/4	15 19/32	71 2-25/32	34.1 1.3425	14.3 0.563	M10 3/8	UC 205 UC 205-13 UC 205-14 UC 205-15 UC 205-16	P205	0.81 0.85 0.83 0.82 0.81
*UCP 206 *UCP 206-17 *UCP 206-18 *UCP 206-19 *UCP 206-20	30 1-1/16 1-1/8 1-3/16 1-1/4	42.9 1-11/16	165 6-1/2	121 4-3/4	48 1-7/8	17 43/64	20 25/32	17 21/32	84 3-5/16	38.1 1.5000	15.9 0.626	M14 1/2	UC 206 UC 206-17 UC 206-18 UC 206-19 UC 206-20	P206	1.24 1.27 1.26 1.24 1.23
*UCP 207 *UCP 207-20 *UCP 207-21 *UCP 207-22 *UCP 207-23	35 1-1/4 1-5/16 1-3/8 1-7/16	47.6 1-7/8	167 6-9/16	127 5	48 1-7/8	17 43/64	20 25/32	18 45/64	93 3-21/32	42.9 1.6890	17.5 0.689	M14 1/2	UC 207 UC 207-20 UC 207-21 UC 207-22 UC 207-23	P207	1.58 1.64 1.61 1.58 1.55
*UCP 208 *UCP 208-24 *UCP 208-25	40 1-1/2 1-9/16	49.2 1-15/16	184 7-1/4	137 5-13/32	54 2-1/8	17 43/64	20 25/32	18 45/64	100 3-15/16	49.2 1.9370	19 0.748	M14 1/2	UC 208 UC 208-24 UC 208-25	P208	1.89 1.93 1.90
*UCP 209 *UCP 209-26 *UCP 209-27 *UCP 209-28	45 1-5/8 1-11/16 1-3/4	54.0 2-1/8	190 7-15/32	146 5-3/4	54 2-1/8	17 43/64	20 25/32	20 4-11/64	106 1.9370	49.2 0.748	19 1/2	M14	UC 209 UC 209-26 UC 209-27 UC 209-28	P209	2.14 2.24 2.20 2.14
*UCP 210 *UCP 210-29 *UCP 210-30 *UCP 210-31 *UCP 210-32	50 1-13/16 1-7/8 1-15/16 2	57.2 2-1/4	206 8-1/8	159 6-1/4	60 2-3/8	20 25/32	23 29/32	21 53/64	113 4-29/64	51.6 2.0315	19 0.748	M16 5/8	UC 210 UC 210-29 UC 210-30 UC 210-31 UC 210-32	P210	2.66 2.78 2.73 2.68 2.64
*UCP 211 *UCP 211-32 *UCP 211-33 *UCP 211-34 *UCP 211-35	55 2 2-1/16 2-1/8 2-3/16	63.5 2-1/2	219 8-5/8	171 6-47/64	60 2-3/8	20 25/32	23 29/32	23 29/32	125 4-59/64	55.6 2.1890	22.2 0.874	M16 5/8	UC 211 UC 211-32 UC 211-33 UC 211-34 UC 211-35	P211	3.31 3.46 3.40 3.35 3.29
*UCP 212 *UCP 212-36 *UCP 212-37 *UCP 212-38 *UCP 212-39	60 2-1/4 2-5/16 2-3/8 2-7/16	69.8 2-3/4	241 9-1/2	184 7-1/4	70 2-3/4	20 25/32	23 29/32	25 63/64	138 5-7/16	65.1 2.5630	25.4 1.000	M16 5/8	UC 212 UC 212-36 UC 212-37 UC 212-38 UC 212-39	P212	4.90 5.03 4.95 4.88 1.81
UCP 213 UCP 213-40 UCP 213-41	65 2-1/2 2-9/16	76.2 3	265 10-7/16	203 8	70 2-3/4	25 63/64	28 1-3/32	27 1-1/16	150 5-29/32	65.1 2.5630	25.4 1.000	M20 3/4	UC 213 UC 213-40 UC 213-41	P213	5.15 5.24 5.15
UCP 214 UCP 214-42 UCP 214-43 UCP 214-44	70 2-5/8 2-1/16 2-3/4	79.4 3-1/8	266 10-15/32	210 8-17/64	72 2-27/32	25 63/64	28 1-3/32	27 1-1/16	156 6-9/64	74.6 2.9370	30.2 1.189	M20 3/4	UC 214 UC 214-42 UC 214-43 UC 214-44	P214	6.20 6.41 6.31 6.21
UCP 215 UCP 215-45 UCP 215-46 UCP 215-47 UCP 215-48	75 2-13/16 2-7/8 2-15/16 3	82.6 3-1/4	275 10-59/64	217 8-35/64	74 2-29/32	25 63/64	28 1-3/32	28 1-3/32	162 6-3/8	77.8 3.0630	33.3 1.311	M20 3/4	UC 215 UC 215-45 UC 215-46 UC 215-47 UC 215-48	P215	7.16 7.41 7.30 7.19 7.07
UCP 216 UCP 216-49 UCP 216-50 UCP 216-51	80 3-1/16 3-1/8 3-3/16	88.9 3-1/2	292 11-1/2	232 9-1/8	78 3-1/16	25 63/64	28 1-3/32	30 1-3/16	174 6-27/32	82.6 3.2520	33.3 1.311	M20 3/4	UC 216 UC 216-49 UC 216-50 UC 216-51	P216	8.10 8.28 8.15 8.02
UCP 217 UCP 217-52 UCP 217-53 UCP 217-55	85 3-1/4 3-5/16 3-7/16	95.2 3-3/4	310 12-13/64	247 9-23/32	83 3-17/64	25 63/64	28 1-3/32	32 1-1/4	185 7-9/32	85.7 3.3740	34.1 1.343	M20 3/4	UC 217 UC 217-52 UC 217-53 UC 217-55	P217	9.81 10.03 9.89 9.60
UCP 218 UCP 218-56	90 3-1/2	101.6 4	327 12-7/8	262 10-5/16	88 3-15/32	27 1-1/16	30 1-3/16	33 1-19/64	198 7-51/64	96 3.7795	39.7 1.5630	M22 7/8	UC 218 UC 218-56	P218	11.96 12.07

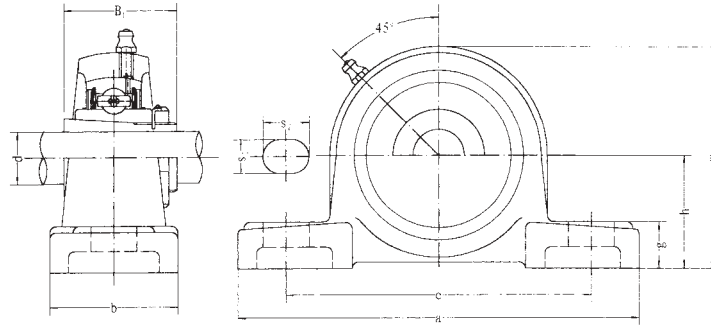
* Add SP in front of the Unit No for Stainless Steel Bearing with Thermo-Plastic Housing (Eg. SP UCP 205)

Add C as suffix for both side Open cover (Eg. SP UCP 205 C)
or CD as suffix for one side Open & one side Closed cover (Eg. SP UCP 205 CD)

Pillow Blocks

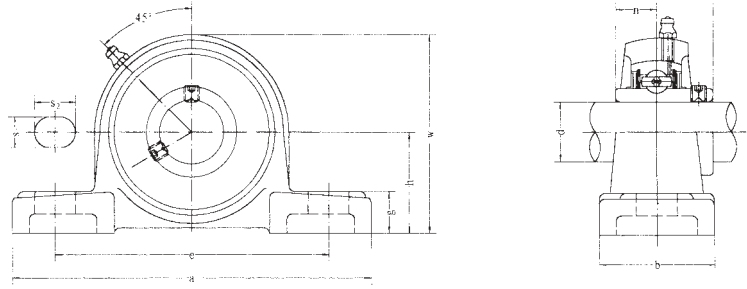


Unit No.	Dimensions ^{mm} / _{inch}											Bolt Size ^{mm} / _{inch}	Bearing No.	Housing No.	Weight (kg)
	d	h	a	e	b	S ₁	S ₂	g	w	B ₁	n				
NAP 204	20	33.3	127	95	38	13	19	14	65	43.7	17.1	M10	NA 204	P204	0.73
NAP 204-12	3/4	1-5/16	5	3-3/4	1-1/2	1/2	3/4	9/16	2-9/16	1.720	0.673	3/8	NA 204-12		0.73
NAP 205	25	36.5	140	105	38	13	19	15	71	44.4	17.5	M10	NA 205	P205	0.88
NAP 205-13	13/16												NA 205-13		0.93
NAP 205-14	7/8	1-7/16	5-1/2	4-1/8	1-1/2	1/2	3/4	19/32	2-25/32	1.748	0.689	3/8	NA 205-14		0.92
NAP 205-15	15/16												NA 205-15		0.90
NAP 205-16	1												NA 205-16		0.88
NAP 206	30	42.9	165	121	48	17	20	17	84	48.4	18.3	M14	NA 206	P206	1.37
NAP 206-17	1-1/16												NA 206-17		1.42
NAP 206-18	1-1/8	1-11/16	6-1/2	4-3/4	1-7/8	43/64	25/32	21/32	3-5/16	1.906	0.720	1/2	NA 206-18		1.39
NAP 206-19	1-3/16												NA 206-19		1.37
NAP 206-20	1-4/1												NA 206-20		1.34
NAP 207	35	47.6	167	127	48	17	20	18	93	51.1	18.8	M14	NA 207	P207	1.70
NAP 207-20	1-4/1												NA 207-20		1.77
NAP 207-21	1-5/16	1-7/8	6-9/16	5	1-7/8	43/64	25/32	45/64	3-21/32	2.012	0.740	1/2	NA 207-21		1.73
NAP 207-22	1-3/8												NA 207-22		1.70
NAP 207-23	1-7/16												NA 208-23		1.67
NAP 208	40	49.2	184	137	54	17	20	18	100	56.3	21.4	M14	NA 208	P208	2.04
NAP 208-24	1-1/2	1-15/16	7-1/4	5-13/32	2-1/8	43/64	25/32	45/64	3-15/16	2.217	0.843	1/2	NA 208-24		2.09
NAP 208-25	1-9/16												NA 208-25		2.05
NAP 209	45	54.0	190	146	54	17	20	20	106	56.3	21.4	M14	NA 209	P209	2.31
NAP 209-26	1-5/8												NA 209-26		2.42
NAP 209-27	1-11/16	2-1/8	7-15/32	5-3/4	2-1/8	43/64	25/32	25/32	4-11/64	2.217	0.843	1/2	NA 209-27		2.37
NAP 209-28	1-3/4												NA 209-28		2.33
NAP 210	50	57.2	206	159	60	20	23	21	113	62.7	24.6	M16	NA 210	P210	2.85
NAP 210-29	1-13/16												NA 210-29		3.00
NAP 210-30	1-7/8	2-1/4	8-1/8	6-1/4	2-3/8	25/32	29/32	53/64	4-29/64	2.469	0.969	5/8	NA 210-30		2.94
NAP 210-31	1-15/16												NA 210-31		2.88
NAP 210-32	2												NA 210-32	2.82	
NAP 211	55	63.5	219	171	60	20	23	23	125	71.4	27.8	M16	NA 211	P211	3.52
NAP 211-32	2												NA 211-32		3.72
NAP 211-33	2-1/16	2-1/2	8-5/8	6-47/64	2-3/8	25/32	29/32	29/32	4-59/64	2.811	1.094	5/8	NA 211-33		3.64
NAP 211-34	2-1/8												NA 211-34		3.57
NAP 211-35	2-3/16												NA 211-35		3.49
NAP 212	60	69.8	241	184	70	20	23	25	138	77.8	31	M16	NA 212	P212	5.24
NAP 212-36	2-1/4												NA 212-36		5.40
NAP 212-37	2-5/16	2-3/4	9-1/2	7-1/4	2-3/4	25/32	29/32	63/64	5-7/16	3.063	1.220	5/8	NA 212-37		5.31
NAP 212-38	2-3/8												NA 212-38		5.26
NAP 212-39	2-7/16												NA 212-39		5.13
NAP 213	65	76.2	265	203	70	25	28	27	150	85.7	34.1	M20	NA 213	P213	5.71
NAP 213-40	2-1/2	3	10-7/16	8	2-3/4	63/64	1-3/32	1-1/16	5-29/32	3.374	1.343	3/4	NA 213-40		5.81
NAP 213-41	2-9/16												NA 213-41		5.70
NAP 214	70	79.4	266	210	72	25	28	27	156	85.7	34.1	M20	NA 214	P214	6.70
NAP 214-42	2-3/8												NA 214-42		6.94
NAP 214-43	2-11/16	3-1/8	10-15/32	8-17/64	2-27/32	63/64	1-3/32	1-1/16	6-9/64	3.374	1.343	3/4	NA 214-43		6.83
NAP 214-44	2-3/4												NA 214-44		6.71
NAP 215	75	82.6	275	217	74	25	28	28	162	92.1	37.3	M20	NA 215	P215	7.79
NAP 215-45	2-13/16												NA 215-45		8.09
NAP 214-46	2-7/8	3-1/4	10-53/64	8-35/64	2-29/32	63/64	1-3/32	1-3/32	6-3/8	3.626	1.426	3/4	NA 215-46		7.96
NAP 214-47	2-15/16												NA 215-47		7.83
NAP 214-48	3												NA 215-48		7.69

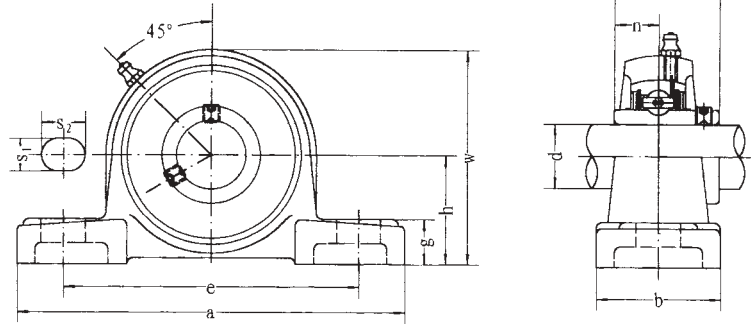


Unit No.	Dimensions <small>mm inch</small>											Bolt Size <small>mm inch</small>	Bearing No.		Housing No.	Weight (kg)
	d	h	a	e	b	S ₁	S ₂	g	w	t	B ₁					
UKP 205	20 3/4	36.5 1-7/16	140 5-1/2	105 4-1/8	38 1-1/2	13 1/2	19 3/4	15 19/32	71 2-25/32	48 1-57/64	35 1.378	M10 3/8	UK 205	H305 HE305	P 205	0.86
UKP 206	25 7/8 1	42.9 1-11/16	165 6-1/2	121 4-3/4	48 1-7/8	17 43/64	20 25/32	17 43/64	84 3-5/16	53 2-5/64	38 1.496	M14 1/2	UK 206	H306 HS306 HE306	P 206	1.28
UKP 207	30 1-1/8	47.6 1-7/8	167 6-9/16	127 5	48 1-7/8	17 43/64	20 25/32	18 45/64	93 3-21/32	59.5 2-11/32	43 1.693	M14 1/2	UK 207	H307 HS307	P 207	1.67
UKP 208	35 1-1/4 1-3/8	49.2 1-15/16	184 7-1/4	137 5-13/32	54 2-1/8	17 43/64	20 25/32	18 45/64	100 3-15/16	69 2-23/32	46 1.811	M14 1/2	UK 208	H308 HE308 HS308	P 208	1.99
UKP 209	40 1-7/16 1-1/2 1-5/8	54.0 2-1/8	190 7-15/32	146 5-3/4	54 2-1/8	17 43/64	20 25/32	20 25/32	106 4-11/64	69 2-23/32	50 1.969	M14 1/2	UK 209	H309 HA309 HE309 HS309	P 209	1.29
UKP 210	45 1-5/8 1-11/16 1-3/4	57.2 2-1/4	206 8-1/8	159 6-1/4	60 2-3/8	20 25/32	23 29/32	21 53/64	113 4-29/64	74.5 2-15/16	55 2.165	M16 5/8	UK 210	H310 HS310 HA310 HE310	P 210	2.83
UKP 211	50 1-7/8 1-15/16 2	63.5 2-1/2	219 8-5/8	171 6-47/64	60 2-3/8	20 25/32	23 29/32	23 29/32	125 4-59/64	76 3	59 2.323	M16 5/8	UK 211	H311 HS311 H3A11 HE311	P 211	3.46
UKP 212	55 2-1/8	69.8 2-3/4	241 9-1/2	184 7-1/4	70 2-3/4	20 25/32	23 29/32	25 63/64	138 5-7/16	89 3-1/2	62 2.441	M16 5/8	UK 212	H312 HS312	P 212	4.95
UKP 213	60 2-3/16 2-1/4 2-3/8	76.2 3	265 10-7/16	203 8	70 2-3/4	25 63/64	28 1-3/32	27 1-1/16	150 5-29/32	89 3-1/2	65 2.559	M20 3/4	UK 213	H313 HA313 HE313 HS313	P 213	5.06
UKP 215	65 2-7/16 2-1/2	82.6 3-1/4	275 10-53/64	217 8-35/64	74 2-29/32	25 63/64	28 1-3/32	28 1-3/32	162 6-3/8		73 2.874	M20 3/4	UK 215	H315 HA315 HE315	P 215	7.27
UKP 216	70 2-11/16 2-3/4	88.9 3-1/2	292 11-1/2	232 9-1/8	78 3-1/16	25 63/64	28 1-3/32	30 1-3/16	174 6-27/32		78 3.071	M20 3/4	UK 216	H316 HA316 HE316	P 216	8.36
UKP 217	75 2-15/16 3	95.2 3-3/4	310 12-13/64	247 9-23/32	83 3-17/64	25 63/64	28 1-3/32	32 1-1/4	185 7-9/32		82 3.228	M20 3/4	UK 217	H317 HA317 HE317	P 217	10.23
UKP 218	80 3-3/16	101.6 4	327 12-7/8	262 10-5/16	88 3-15/32	27 1-1/16	30 1-3/16	33 1-19/64	198 7-51/64		86 3.386	M22 7/8	UK 218	H318 HA318	P 218	12.34

Pillow Blocks



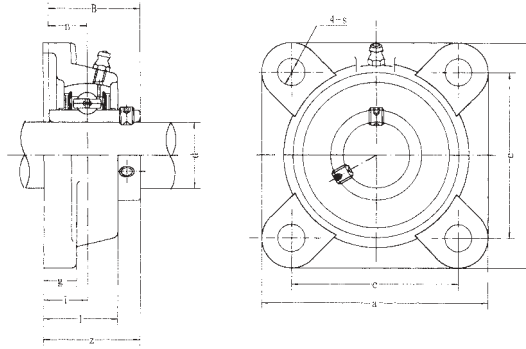
Unit No.	Dimensions ^{mm} / _{inch}											Bolt Size ^{mm} / _{inch}	Bearing No.	Housing No.	Weight (kg)
	d	h	a	e	b	S ₁	S ₂	g	w	B	n				
UCPX 05	25	44.4	159	119	51	17	20	18	85	38.1	15.9	M14	UCX 05	PX05	1.5
UCPX 05-13	1 ¹³ / ₁₆												UCX 05-13		
UCPX 05-14	7/8	1-3/4	6-1/4	4-11/16	2	43/64	25/32	23/32	3-11/32	1.5000	0.626	1/2	UCX 05-14		
UCPX 05-15	15/16												UCX 05-15		
UCPX 05-16	1												UCX 05-16		
UCPX 06	30	47.6	175	127	57	17	20	20	93	42.9	17.5	M14	UCX 06	PX06	2.0
UCPX 06-17	1-1/16												UCX 06-17		
UCPX 06-18	1-1/8	1-7/8	6-7/8	5	2-1/4	43/64	25/32	25/32	3-21/32	1.6890	0.689	1/2	UCX 06-18		
UCPX 06-19	1-3/16												UCX 06-19		
UCPX 06-20	1-1/4												UCX 06-20		
UCPX 07	35	54.0	203	144	57	17	20	21	105	49.2	19	M14	UCX 07	PX07	2.6
UCPX 07-21	1-5/16												UCX 07-21		
UCPX 07-22	1-3/8	2-1/8	8	5-21/32	2-1/4	43/64	25/32	13/16	4-1/8	1.9370	0.748	1/2	UCX 07-22		
UCPX 07-23	1-7/16												UCX 07-23		
UCPX 08	40	58.7	222	156	67	20	23	26	111	49.2	19	M16	UCX 08	PX08	3.3
UCPX 08-24	1-1/2	2-5/16	8-3/4	6-5/32	2-5/8	25/32	29/32	1-1/32	4-3/8	1.9370	0.748	5/8	UCX 08-24		
UCPX 08-25	1-9/16												UCX 08-25		
UCPX 09	45	58.7	222	156	67	20	23	26	116	51.6	19	M16	UCX 09	PX09	3.3
UCPX 09-26	1-5/8												UCX 09-26		
UCPX 09-27	1-11/16	2-5/16	8-3/4	6-5/32	2-5/8	25/32	29/32	1-1/32	4-9/16	2.0315	0.748	5/8	UCX 09-27		
UCPX 09-28	1-3/4												UCX 09-28		
UCPX 09-29	1-13/16												UCX 09-29		
UCPX 10	50	63.5	241	171	73	20	23	27	126	55.6	22.2	M16	UCX 10	PX10	4.3
UCPX 10-30	1-7/8												UCX 10-30		
UCPX 10-31	1-15/16	2-1/2	9-1/2	6-47/64	2-7/8	25/32	29/32	1-1/16	4-31/32	2.1890	0.874	5/8	UCX 10-31		
UCPX 10-32	2												UCX 10-32		
UCP 211	55	69.8	260	184	79	25	28	30	137	65.1	25.4	M20	UCX 11	PX11	5.7
UCP 211-33	2-1/16												UCX 11-33		
UCP 211-34	2-1/8												UCX 11-34		
UCP 211-35	2-3/16	2-3/4	10-1/4	7-1/4	3-1/8	31/32	1-3/32	1-3/16	5-31/32	2.5630	1.000	3/4	UCX 11-35		
UCP 211-36	2-1/4												UC 211-36		
UCP 211-37	2-5/16												UC 211-37		
UCPX 12	60	76.2	286	203	8.3	25	28	33	151	65.1	25.4	M20	UCX 12	PX12	7.3
UCPX12-38	2-3/8	3	11-1/4	8	3-9/32	31/32	1-3/32	1-5/16	5-15/16	2.5630	1.000	3/4	UCX 12-38		
UCPX12-39	2-7/16												UCX 12-39		
UCPX 13	65	76.2	286	203	8.3	25	28	33	154	74.6	30.2	M20	UCX 13	PX13	7.6
UCPX 13-40	2-1/2	3	11-1/4	8	3-9/32	63/64	1-3/32	1-5/16	6-1/16	2.9370	1.189	3/4	UCX 13-40		
UCPX 13-41	2-9/16												UCX 13-41		
UCPX 14	70	88.9	33.0	229	89	27	30	35	170	77.8	33.3	M22	UCX 14	PX14	9.9
UCPX 14-42	2-5/8												UCX 14-42		
UCPX 14-43	2-11/16	3-1/2	13	9-1/32	3-1/2	1-1/16	1-3/16	1-3/8	6-11/16	3.0630	1.311	7/8	UCX 14-43		
UCPX 14-44	2-3/4												UCX 14-44		
UCPX 15	75	88.9	330	229	89	27	30	35	175	82.6	33.3	M22	UCX 15	PX15	11
UCPX 15-45	2-13/16												UCX 15-45		
UCPX 15-46	2-7/8	3-1/2	13	9-1/32	3-1/2	1-1/16	1-3/16	1-3/8	6-7/8	3.2520	1.311	7/8	UCX 15-46		
UCPX 15-47	2-15/16												UCX 15-47		
UCPX 15-48	3												UCX 15-48		
UCPX 16	80	101.6	381	283	102	27	30	40	194	85.7	34.1	M22	UCX 16	PX16	15
UCPX 16-49	3-1/16												UCX 16-49		
UCPX 16-50	3-1/8	4	15	11-5/32	4-1/32	1-1/16	1-3/16	1-9/16	7-5/8	3.3740	1.343	7/8	UCX 16-50		
UCPX 16-51	3-3/16												UCX 16-51		
UCPX 16-52	3-1/4												UCX 16-52		
UCPX 17	85	101.6	381	283	102	27	30	40	200	96	39.7	M22	UCX 17	PX17	16
UCPX 17-53	3-5/16	4	15	11-5/32	4-1/32	1-1/16	1-3/16	1-9/16	7-7/8	3.7795	1.563	7/8	UCX 17-53		
UCPX 17-55	3-7/16												UCX 17-55		



Unit No.	Dimensions <small>mm inch</small>											Bolt Size <small>mm inch</small>	Bearing No.	Housing No.	Weight (kg)
	d	h	a	e	b	S1	S2	g	w	B	n				
UCP 305	25	45	175	132	45	17	20	15	85	38	38	M14	UC 305	P305	1.4
UCP 305-13	13/16	1-49/64	6-7/8	5-3/16	1-25/32	43/64	25/32	19/32	3-11/32	1.4961	0.591	1/2	UC 305-13		
UCP 305-14	7/8												UC 305-14		
UCP 305-15	15/16												UC 305-15		
UCP 305-16	1												UC 305-16		
UCP 306	30	50	180	140	50	17	20	18	95	43	17	M14	UC 306	P306	1.8
UCP 306-17	1-1/16												UC 306-17		
UCP 306-18	1-1/8	1-31/32	7-3/32	5-1/2	1-31/32	43/64	25/32	23/32	3-3/4	1.6929	0.669	1/2	UC 306-18		
UCP 306-19	1-3/16												UC 306-19		
UCP 307	35	56	210	160	56	17	25	20	106	48	19	M14	UC 307	P307	2.8
UCP 307-20	1-1/4												UC 307-20		
UCP 307-21	1-5/16												UC 307-21		
UCP 307-22	1-3/8	1-13/64	8-9/32	6-5/16	2-13/64	43/64	31/32	25/32	4-3/16	1.8898	1.748	1/2	UC 307-22		
UCP 307-23	1-7/16												UC 307-23		
UCP 308	40	60	220	170	60	17	27	22	116	52	19	M14	UC 308	P308	3.0
UCP 308-24	1-1/2	2-23/64	8-21/32	6-11/16	2-3/8	43/64	1-11/16	7/8	4-9/16	2.0472	0.748	1/2	UC 308-24		
UCP 308-25	1-9/16												UC 308-25		
UCP 309	45	67	245	190	67	20	30	24	129	57	22	M16	UC 309		
UCP 309-26	1-5/8												UC 309-26		
UCP 309-27	1-11/16	2-41/64	9-21/32	7-15/32	2-5/8	25/32	1-3/16	15/16	5-3/32	2.2441	0.866	5/8	UC 309-27		
UCP 309-28	1-3/4												UC 309-28		
UCP 310	50	75	275	212	75	20	35	27	143	61	22	M16	UC 310	P310	5.8
UCP 310-29	1-13/16												UC 310-29		
UCP 310-30	1-7/8	2-61/64	10-13/16	8-11/32	2-15/16	25/32	1-3/8	1-1/16	5-5/8	2.4016	0.866	5/8	UC 310-30		
UCP 310-31	1-15/16												UC 310-31		
UCP 311	55	80	310	236	80	20	38	30	154	66	25	M16	UC 311	P311	7.4
UCP 311-32	2												UC 311-32		
UCP 311-33	2-1/16												UC 311-33		
UCP 311-34	2-1/8	3-5/32	12-7/32	9-9/32	3-5/32	25/32	1-1/2	1-9/16	6-1/16	2.5984	0.984	5/8	UC 311-34		
UCP 311-35	2-3/16												UC 311-35		
UCP 312	60	85	330	250	85	25	38	32	165	71	26	M20	UC 312	P312	9.4
UCP 312-36	2-1/4												UC 312-36		
UCP 312-37	2-5/16												UC 312-37		
UCP 312-38	2-3/8	3-11/32	13	9-17/32	3-11/32	31/32	1-1/2	1-1/4	6-1/2	2.7953	1.024	3/4	UC 312-38		
UCP 312-39	2-7/16												UC 312-39		
UCP 313	65	90	340	260	90	25	38	33	176	75	30	M20	UC 313	P313	10
UCP 313-40	2-1/2	3-35/64	13-3/8	10-1/4	3-17/32	31/32	1-1/2	1-5/16	6-15/16	2.9528	1.181	3/4	UC 313-40		
UCP 313-41	2-9/16												UC 313-41		
UCP 314	70	95	360	280	90	27	40	35	187	78	33	M22	UC 314		
UCP 314-42	2-5/8												UC 314-42		
UCP 314-43	2-11/16	3-47/64	14-3/16	11-1/32	3-17/32	1-1/16	1-9/16	1-3/8	7-3/8	3.0708	1.299	7/8	UC 314-43		
UCP 314-44	2-3/4												UC 314-44		
UCP 315	75	100	380	290	100	27	40	35	198	82	32	M22	UC 315	P315	14
UCP 315-45	2-13/16												UC 315-45		
UCP 315-46	2-7/8												UC 315-46		
UCP 315-47	2-15/16	3-15/16	14-31/32	11-13/32	3-15/16	1-1/16	1-9/16	1-3/8	7-25/32	3.2283	1.250	7/8	UC 315-47		
UCP 315-48	3												UC 315-48		
UCP 316	80	106	400	300	110	27	40	40	210	86	34	M22	UC 316	P316	18
UCP 316-49	3-1/16												UC 316-49		
UCP 316-50	3-1/8	4-11/64	15-3/4	11-13/16	4-11/32	1-1/16	1-9/16	1-9/16	8-9/32	3.3858	1.339	7/8	UC 316-50		
UCP 316-51	3-3/16												UC 316-51		
UCP 317	85	112	420	320	110	33	45	40	220	96	40	M27	UC 317	P317	20
UCP 317-52	3-1/4												UC 317-52		
UCP 317-53	3-5/16	4-13/32	16-17/32	12-19/32	4-11/32	1-5/16	1-25/32	1-9/16	8-21/32	3.7795	1.575	1	UC 317-53		
UCP 317-55	3-7/16												UC 317-55		
UCP 318	90	118	430	330	110	33	45	45	235	96	40	M27	UC 318	P318	24
UCP 318-55	3-7/16	4-41/64	16-15/16	13	4-11/32	1-5/16	1-25/32	1-25/32	9-1/4	3.7795	1.575	1	UC 318-55		
UCP 318-56	3-1/2												UC 318-56		
UCP 319	95	125	470	360	120	36	50	45	250	103	41	M30	UC 319	P319	29
UCP 319-58	3-5/8												UC 319-58		
UCP 319-59	3-11/16	4-59/64	18-1/2	14-3/16	4-23/32	1-13/32	1-31/32	1-25/32	9-27/32	4.0551	1.614	1-1/8	UC 319-59		
UCP 319-60	3-3/4												UC 319-60		
UCP 320	100	140	490	380	120	36	50	46	273	108	42	M30	UC 320	P320	35.1
UCP 320-64	4	5-29/32	19-9/32	14-31/32	4-23/32	1-13/32	1-31/32	1-13/16	10-3/4	4-1/4	1-21/32	1-1/8	UC 320-64		

Flange Units (Square)

UCF 2 (normal duty)

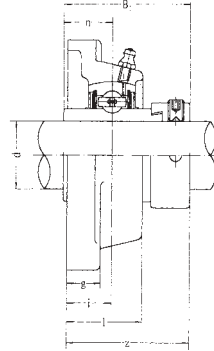
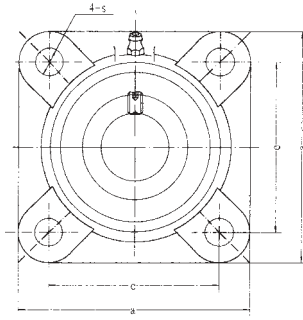


www.exvalos.cz

Unit No.	Dimensions ^{mm} / _{inch}										Bolt Size ^{mm} / _{inch}	Bearing No.	Housing No.	Weight (kg)
	d	h	a	e	b	S ₁	S ₂	g	B	n				
*UCF 201	12	86	64	15	12	25.5	12	33.3	31	12.7	M10	UC 201	F204	0.60
*UCF 201-8	3/4	3-3/8	2-33/64	19/32	15/32	1	15/32	1-5/16	1.2205	0.500	3/8	UC 201-8		0.59
*UCF 202	15	86	64	15	12	25.5	12	33.3	31	12.7	M10	UC 202	F204	0.59
*UCF 202-9	9/16	3-3/8	2-33/64	19/32	15/32	1	15/32	1-5/16	1.2205	0.500	3/8	UC 202-9		0.59
*UCF 202-10	5/8											UC 202-10		0.59
*UCF 203	17	86	64	15	12	25.5	12	33.3	31	12.7	M10	UC 203	F204	0.58
*UCF 203-11	11/16	3-3/8	2-33/64	19/32	15/32	1	15/32	1-5/16	1.2205	0.500	3/8	UC 203-11		0.57
*UCF 204	20	86	64	15	12	25.5	12	33.3	31	12.7	M10	UC 204	F204	0.56
*UCF 204-12	3/4	3-3/8	2-33/64	19/32	15/32	1	15/32	1-5/16	1.2205	0.500	3/8	UC 204-12		0.56
*UCF 205	25	95	70	16	14	27	12	35.8	34.1	14.3	M10	UC 205	F205	0.80
*UCF 205-13	13/16											UC 205-13		0.84
*UCF 205-14	7/8	3-3/4	2-3/4	5/8	35/64	1-1/16	15/32	1-13/32	1.3425	0.563	3/8	UC 205-14		0.83
*UCF 205-15	15/16											UC 205-15		0.81
*UCF 205-16	1											UC 205-16		0.80
*UCF 206	30	108	83	18	14	31	12	40.2	38.1	15.9	M10	UC 206	F206	1.12
*UCF 206-17	1-1/16											UC 206-17		1.15
*UCF 206-18	1-1/8											UC 206-18		1.14
*UCF 206-19	1-3/16	4-1/4	3-17/64	45/64	35/64	1-7/32	15/32	1-19/32	1.5000	0.626	3/8	UC 206-19		1.12
*UCF 206-20	1-1/4											UC 206-20		1.11
*UCF 207	35	117	92	19	16	34	14	44.4	42.9	17.5	M12	UC 207	F207	1.46
*UCF 207-20	1-1/4											UC 207-20		1.52
*UCF 207-21	1-5/16											UF 207-21		1.49
*UCF 207-22	1-3/8	4-39/64	3-5/8	3/4	5/8	1-11/32	35/64	1-3/4	1.6890	0.689	7/16	UC 207-22		1.46
*UCF 207-23	1-7/16											UC 207-23		1.43
*UCF 208	40	130	102	21	16	36	16	51.2	49.2	19	M14	UC 208	F208	1.84
*UCF 208-24	1-1/12	5-1/8	4-1/64	53/64	5/8	1-27/64	5/8	2-1/64	1.9370	0.748	1/2	UC 208-24		1.88
*UCF 208-25	1-9/16											UC 208-25		1.85
*UCF 209	45	137	105	22	18	38	16	52.2	49.2	19	M14	UC 209	F209	2.15
*UCF 209-26	1-5/8											UC 209-26		2.25
*UCF 209-27	1-11/16	5-13/32	4-9/64	55/64	23/32	1-1/2	5/8	2-1/16	1.9370	0.748	1/2	UC 209-27		2.21
*UCF 209-28	1-3/4											UC 209-28		2.17
*UCF 210	50	14.3	111	22	18	40	16	54.6	51.6	19	M14	UC 210	F210	2.42
*UCF 210-29	1-13/16											UC 210-29		2.54
*UCF 210-30	1-7/8											UC 210-30		2.49
*UCF 210-31	1-15/16	5-5/8	4-3/8	55/64	23/32	1-9/16	5/8	2-5/32	2.0315	0.748	1/2	UC 210-31		2.44
*UCF 210-32	2											UC 210-32		2.40
*UCF 211	55	162	130	25	20	43	19	58.4	55.6	22.2	M16	UC 211	F211	3.31
*UCF 211-32	2											UC 211-32		3.46
*UCF 211-33	2-1/16											UC 211-33		3.40
*UCF 211-34	2-1/8	6-3/8	5-1/8	63/64	25/32	1-11/16	3/4	1-5/16	2.1890	0.874	5/8	UC 211-34		3.35
*UCF 211-35	2-3/16											UC 211-35		3.29
UCF 212	60	175	143	29	20	48	19	68.7	65.1	25.4	M16	UC 212	F212	4.28
UCF 212-36	2-1/4											UC 212-36		4.41
UCF 212-37	2-5/16	6-57/64	5-5/8	1-9/64	25/32	1-57/64	3/4	2-45/64	2.5630	1.000	5/8	UC 212-37		4.33
UCF 212-38	2-3/8											UC 212-38		4.26
UCF 212-39	2-7/16											UC 212-39		4.19
UCF 213	65	187	149	30	22	50	19	69.7	65.1	25.4	M16	UC 213	F213	4.99
UCF 213-40	2-1/2	7-23/64	5-55/64	1-3/16	55/64	1-31/32	3/4	2-3/4	2.5630	1.000	5/8	UC 213-40		5.08
UCF 213-41	2-9/16											UC 213-41		4.99
UCF 214	70	193	152	31	22	54	19	75.4	74.6	30.2	M16	UC 214	F214	5.85
UCF 214-42	2-5/8											UC 214-42		6.06
UCF 214-43	2-11/16	7-19/32	5-63/64	1-7/32	55/64	2-1/8	3/4	2-31/32	2.9370	1.189	5/8	UC 214-43		5.96
UCF 214-44	2-3/4											UC 214-44		5.86
UCF 215	75	200	159	34	22	56	19	78.5	77.8	33.3	M16	UC 215	F215	6.91
UCF 215-45	2-13/16											UC 215-45		7.16
UCF 215-46	2-7/8	7-7/8	6-17/64	1-11/32	55/64	2-7/32	3/4	3-3/32	3.0630	1.311	5/8	UC 215-46		7.05
UCF 215-47	2-15/16											UC 215-47		6.94
UCF 215-48	3											UC 215-48		6.82
UCF 216	80	208	165	34	22	58	23	83.3	82.6	33.3	M20	UC 216	F216	7.50
UCF 216-49	3-1/8											UC 216-49		7.68
UCF 216-50	3-1/8	8-3/16	6-1/2	1-11/32	55/64	2-9/32	29/32	3-9/32	3.2520	1.311	3/4	UC 216-50		7.55
UCF 216-51	3-3/16											UC 216-51		7.42
UCF 217	85	220	175	36	24	63	23	87.6	85.7	34.1	M20	UC 217	F217	9.66
UCF 217-52	3-1/4											UC 217-52		9.88
UCF 217-53	3-9/16	8-21/23	6-57/64	1-27/64	15/16	2-15/32	29/32	3-7/16	3.3740	1.343	3/4	UC 217-53		9.74
UCF 217-55	3-7/16											UC 217-55		9.45
UCF 218	90	235	187	40	24	68	23	96.3	96	39.7	M20	UC 218	F218	12.06
UCF 218-56	3-1/2	9-1/4	7-23/64	1-37/64	15/16	2-11/16	29/32	3-25/32	3.7795	1.5630	3/4	UC 218-56		12.17

* Add SP in front of the Unit No for Stainless Steel Bearing with Thermo-Plastic Housing (Eg. SP UCP 205)

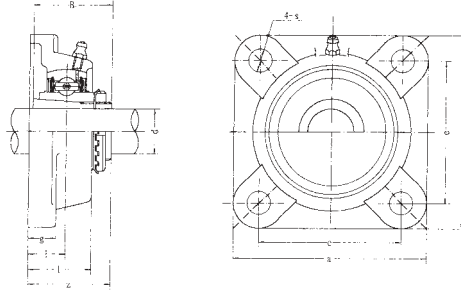
Add C as suffix for both side Open cover (Eg. SP UCP 205 C)
or CD as suffix for one side Open & one side Closed cover (Eg. SP UCP 205 CD)



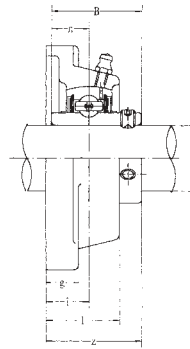
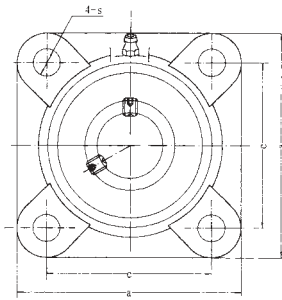
Unit No.	Dimensions ^{mm} / _{inch}										Bolt Size ^{mm} / _{inch}	Bearing No.	Housing No.	Weight (kg)
	d	h	a	e	b	S ₁	S ₂	g	B	n				
NAF 204	20	86	64	15	12	25.5	12	41.6	43.7	17.1	M10	NA 204	F204	0.63
NAF 204-12	3/4	3-3/8	2-33/64	19/32	15/32	1	15/32	1-41/64	1.720	0.673	3/8	NA 204-12		0.63
NAF 205	25	95	70	16	14	27	12	42.9	44.4	17.5	M10	NA 205	F205	0.87
NAF 205-13	13/16											NA 205-13		0.92
NAF 205-14	7/8	3-3/4	2-3/4	5/8	35/64	1-1/16	15/32	1-11/16	1.748	0.689	3/8	NA 205-14		0.91
NAF 205-15	15/16											NA 205-15		0.89
NAF 205-16	1											NA 205-16		0.87
NAF 206	30	108	83	18	14	31	12	48.1	48.4	18.3	M10	NA 206		F206
NAF 206-17	1-1/16											NA 206-17	1.30	
NAF 206-18	1-1/8	4-1/4	3-17/64	45/64	35/64	1-7/32	15/32	1-57/64	1.906	0.720	3/8	NA 206-18	1.27	
NAF 206-19	1-3/16											NA 206-19	1.25	
NAF 206-20	1-1/4											NA 206-20	1.24	
NAF 207	35	117	92	19	16	34	14	51.3	51.1	18.8	M12	NA 207	F207	1.58
NAF 207-20	1-1/4											NA 207-20		1.65
NAF 207-21	1-5/16	4-39/64	3-5/8	3/4	5/8	1-11/32	35/64	2-1/64	2.012	0.740	7/16	NA 207-21		1.61
NAF 207-22	1-3/8											NA 207-22		1.58
NAF 207-23	1-7/16											NA 208-23		1.55
NAF 208	40	130	102	21	16	36	16	55.9	56.3	21.4	M14	NA 208	F208	1.99
NAF 208-24	1-1/2	5-1/8	4-1/64	53/64	5/8	1-27/32	5/8	2-13/64	2.217	0.843	1/2	NA 208-24		2.04
NAF 208-25	1-9/16											NA 208-25		2.00
NAF 209	45	137	105	22	18	38	16	56.9	56.3	21.4	M14	NA 209		F209
NAF 209-26	1-5/8											NA 209-26	2.43	
NAF 209-27	1-11/16	5-13/32	4-9/64	55/64	55/64	1-1/2	5/8	2-15/64	2.217	0.843	1/2	NA 209-27	2.38	
NAF 209-28	1-3/4											NA 209-28	2.34	
NAF 210	50	143	111	22	18	40	16	60.1	62.7	24.6	M14	NA 210	F210	
NAF 210-29	1-13/16											NA 210-29		2.76
NAF 210-30	1-7/8	5-5/8	4-3/8	55/64	23/32	1-9/16	5/8	2-3/8	2.469	0.969	1/2	NA 210-30		2.70
NAF 210-31	1-15/16											NA 210-31		2.64
NAF 210-32	2											NA 210-32		2.58
NAF 211	55	162	130	25	20	43	19	68.6	71.4	27.8	M16	NA 211	F211	3.52
NAF 211-32	2											NC 211-32		3.72
NAF 211-33	2-1/16	6-3/8	5-1/8	63/64	25/32	1-11/16	3/4	2-45/64	2.811	1.094	5/8	NA 211-33		3.64
NAF 211-34	2-1/8											NA 211-34		3.57
NAF 211-35	2-3/16											NA 211-35		3.49
NAF 212	60	175	143	29	20	48	19	75.8	77.8	31	M16	NA 212	F212	4.62
NAF 212-36	2-1/4											NA 212-36		4.78
NAF 212-37	2-5/16	6-57/64	5-5/8	1-9/64	25/32	1-57/64	3/4	2-63/64	3.063	1.200	5/8	NA 212-37		4.69
NAF 212-38	2-3/8											NA 212-38		4.64
NAF 212-39	2-7/16											NA 212-39		4.51
NAF 213	65	187	149	30	22	50	19	81.6	85.7	34.1	M16	NA 213	F213	5.55
NAF 213-40	2-1/2	7-23/64	5-55/64	1-3/16	55/64	1-31/32	3/4	3-7/32	3.374	1.343	5/8	NA 213-40		5.65
NAF 213-41	2-9/16											NA 213-41		5.54
NAF 214	70	193	152	31	22	54	19	82.6	86.7	34.1	M16	NA 214	F214	6.35
NAF 214-42	2-3/8											NA 214-42		6.59
NAF 214-43	2-11/16	7-19/32	5-63/64	1-7/32	55/64	2-1/8	3/4	3-1/4	3.374	1.343	5/8	NA 214.43		6.48
NAF 214-44	2-3/4											NA 214-44		6.36
NAF 215	75	200	159	34	22	56	19	88.8	92.1	37.3	M16	NA 215	F215	7.54
NAF 215-45	2-13/16											NA 215-45		7.84
NAF 215-46	2-7/8	7-7/8	6-17/64	1-11/32	55/64	2-7/32	3/4	3-1/2	3.626	1.426	5/8	NA 215-46		7.71
NAF 215-47	2-15/16											NA 215-47		7.58
NAF 215-48	3											NA 215-48		7.44

Flange Units (Square)
(Adapter mounted)

www.exvalos.cz



Unit No.	Dimensions ^{mm} / _{inch}									Bolt Size ^{mm} / _{inch}	Bearing No.	No.	Housing No.	Weight (kg)
	d	a	e	i	g	l	s	z	B ₁					
UKF 205	20	95	70	16	14	27	12	35.5	35	M10	UK 205	H305 HE305	F205	0.85
	3/4	3-3/4	2-3/4	5/8	35/64	1-1/6	15/32	1-25/64	1.378	3/8				
UKF 206	25	108	83	18	14	31	12	39	38	M10	UK 206	H306 HS306 HE306	F206	1.16
	7/8	4-1/4	3-17/64	45/64	35/64	1-7/32	15/32	1-17/32	1.496	3/8				
	1													
UKF 207	30	117	92	19	16	34	14	42.5	43	M12	UK 207	H307 HS307	F207	1.55
	1-1/8	4-39/64	3-5/8	3/4	5/8	1-11/32	35/64	1-43/65	1.693	7/16				
UKF 208	35	130	102	21	16	36	16	46.5	46	M14	UK 208	H308 HE308 HS308	F208	1.94
	1-1/4	5-1/8	4-1/64	53/64	5/8	1-27/64	5/8	1-53/64	1.811	1/2				
	1-3/8													
UKF 209	40	137	105	22	18	38	16	48.5	50	M14	UK 209	H309 HA309 HE309 HS309	F209	2.30
	1-7/16	5-13/32	4-9/64	55/64	23/32	1-1/2	5/8	1-29/32	1.969	1/2				
	1-1/2													
	1-5/8													
UKF 210	45	143	111	22	18	40	16	50	55	M14	UK 210	H310 HA310 HE310 HS310	F210	2.59
	1-5/8													
	1-11/16	5-5/8	4-3/8	55/64	23/32	1-9/16	5/8	1-31/32	2.165	1/2				
	1-3/4													
UKF 211	50	162	130	25	20	43	19	54.5	59	M16	UK 211	H311 HA311 HE311 HS311	F211	3.46
	1-7/8													
	1-15/16	6-3/8	5-1/8	63/64	25/32	1-11/16	3/4	2-9/64	2.323	5/8				
UKF 212	55	175	143	29	20	48	19	61	62	M16	UK 212	H312 HS312	F212	4.33
	2-1/8	6-57/64	5-5/8	1-9/64	25/32	1-57/64	3/4	2-13/32	2.441	5/8				
UKF 213	60	187	149	30	22	50	19	64	65	M16	UK 213	H313 HA313 HE313 HS313	F213	4.90
	2-3/16													
	2-1/4	7-23/64	5-55/64	1-3/16	55/64	1-31/32	3/4	2-33/64	2.559	5/8				
UKF 215	65	200	159	32	22	56	19	71	73	M16	UK215	H315 HA315 HE315	F215	7.02
	2-7/16	7-7/8	6-17/64	1-11/32	55/64	2-7/32	3/4	2-51/64	2.874	5/8				
	2-1/2													
UKF216	70	208	165	34	22	58	23	73.5	78	M20	UK216	H316 HA316 HE316	F216	7.76
	2-11/16	8-3/16	6-1/2	1-11/32	55/64	2-9/32	29/32	2-57/64	3.071	3/4				
	2-3/4													
UKF 217	75	220	175	36	24	63	23	77	82	M20	UK217	H317 HA317 HE317	F217	10.08
	2-15/16	8-21/32	6-57/64	1-27/64	15/16	2-15/32	29/32	3-1/32	3.228	3/4				
	3													
UKF 218	80	235	187	40	24	68	23	81.5	86	M20	UK218	H318 H3A18	F218	12.44
	3-3/16	9-1/4	7-23/64	1-37/64	15/16	2-11/16	29/32	3-13/64	3.386	3/4				

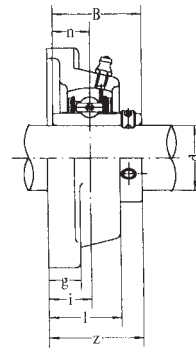
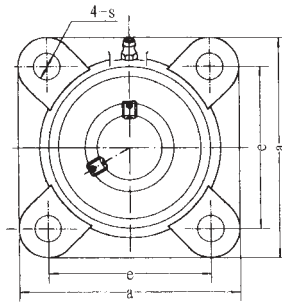


Unit No.	Dimensions ^{mm} / _{inch}										Bolt Size ^{mm} / _{inch}	Bearing No.	Housing No.	Weight (kg)
	d	a	e	i	g	l	s	z	B	n				
UCFX 05	25	108	83	18	13	30	12	40.2	38.1	15.9	M10	UCX 05	FX05	1.0
UCFX 05-13	13/16											UCX 05-13		
UCFX 05-14	7/8											UCX 05-14		
UCFX 05-15	15/16	4-1/4	3-17/64	45/64	1/2	1-3/16	15/32	1-19/32	1.5000	0.626	3/8	UCX 05-15		
UCFX 05-16	1											UCX 05-16		
UCFX 06	30	117	92	19	14	34	16	44.4	42.9	17.5	M14	UCX 06	FX06	1.7
UCFX 06-17	1-1/16											UCX 06-17		
UCFX 06-18	1-1/8											UCX 06-18		
UCFX 06-19	1-3/16	4-39/64	3-5/8	3/4	9/16	1-11/32	5/8	1-3/4	1.6890	0.689	1/2	UCX 06-19		
UCFX 06-20	1-1/4											UCX 06-20		
UCFX 07	35	130	102	21	14	38	16	51.2	49.2	19	M14	UCX 07	FX07	2.1
UCFX 07-21	1-5/16											UCX 07-21		
UCFX 07-22	1-3/8	5-1/8	4-1/64	53/64	9/16	1-1/2	5/8	2-1/64	1.9370	0.748	1/2	UCX 07-22		
UCFX 07-23	1-7/16											UCX 07-23		
UCFX 08	40	137	105	22	14	40	19	52.2	49.2	19	M16	UCX 08	FX08	2.4
UCFX 08-24	1-1/2	5-13/32	4-9/64	55/64	9/16	1-9/16	3/4	2-1/64	1.9370	0.748	5/8	UCX 08-24		
UCFX 08-25	1-9/16											UCX 08-25		
UCFX 09	45	143	111	23	14	40	19	55.6	51.6	19	M16	UCX 09	FX09	2.5
UCFX 09-26	1-5/8											UCX 09-26		
UCFX 09-27	1-11/16	5-5/8	4-3/8	29/32	9/16	1-9/16	3/4	2-3/16	2.0315	0.748	5/8	UCX 09-27		
UCFX 09-28	1-3/4											UCX 09-28		
UCFX 09-29	1-13/16											UCX 09-29		
UCFX 10	50	162	130	26	20	44	19	59.4	55.6	22.2	M16	UCX 10	FX10	3.9
UCFX 10-30	1-7/8											UCX 10-30		
UCFX 10-31	1-15/16	6-3/8	5-1/8	1-1/32	25/32	1-23/32	3/4	2-11/32	2.1890	0.874	5/8	UCX 10-31		
UCFX 10-32	2											UCX 10-32		
UCFX 11	55	175	143	29	20	49	19	68.7	65.1	25.4	M16	UCX 11	FX11	4.9
UCFX 11-33	2-1/16											UCX 11-33		
UCFX 11-34	2-1/8											UCX 11-34		
UCFX 11-35	2-3/16	6-57/64	5-5/8	1-9/64	25/32	1-15/16	3/4	2-45/64	2.5630	1.000	5/8	UCX 11-35		
UCFX 11-36	2-1/4											UC 211-36		
UCFX 11-37	2-5/16											UC 211-37		
UCFX 12	60	187	149	34	21	59	19	73.7	65.1	25.4	M16	UCX 12	FX12	5.2
UCFX 12-38	2-3/8	7-23/64	5-55/64	1-11/32	13/16	2-5/16	3/4	2-29/32	2.5630	1.000	5/8	UCX 12-38		
UCFX 12-39	2-7/16											UCX 12-39		
UCFX 13	65	187	149	34	21	59	19	78.4	74.6	30.2	M16	UCX 13	FX13	5.3
UCFX 13-40	2-1/2	7-23/64	5-55/64	1-11/32	13/16	2-5/16	3/4	3-3/32	2.9370	1.189	5/8	UCX 13-40		
UCFX 13-41	2-9/16											UCX 13-41		
UCFX 14	70	197	152	37	24	60	23	81.5	77.8	33.3	M20	UCX 14	FX14	7.3
UCFX 14-42	2-5/8											UCX 14-42		
UCFX 14-43	2-11/16	7-3/4	5-63/64	1-29/64	15/16	2-3/8	29/32	3-13/64	3.0630	1.311	3/4	UCX 14-43		
UCFX 14-44	2-3/4											UCX 14-44		
UCFX 15	75	197	152	40	24	68	23	89.3	82.6	33.3	M20	UCX 15	PX15	8.1
UCFX 15-45	2-13/16											UCX 15-45		
UCFX 15-46	2-7/8	7-3/4	5-63/64	1-37/64	15/16	2-11/16	29/32	3-33/64	3.2520	1.311	3/4	UCX 15-46		
UCFX 15-47	2-15/16											UCX 15-47		
UCFX 15-48	3											UCX 15-48		
UCFX 16	80	214	171	40	24	70	23	91.6	85.7	34.1	M20	UCX 16	PX16	9.9
UCFX 16-49	3-1/16											UCX 16-49		
UCFX 16-50	3-1/8	8-7/16	6-47/64	1-37/64	15/16	2-3/4	29/32	3-39/64	3.3740	1.343	3/4	UCX 16-50		
UCFX 16-51	3-3/16											UCX 16-51		
UCFX 16-52	3-1/4											UCX 16-52		
UCFX 17	85	214	171	40	24	70	23	96.3	96	39.7	M20	UCX 17	PX17	11
UCFX 17-53	3-5/16	8-7/16	6-47/64	1-37/64	15/16	2-3/4	29/32	3-25/32	3.7795	1.563	3/4	UCX 17-53		
UCFX 17-55	3-7/16											UCX 17-55		

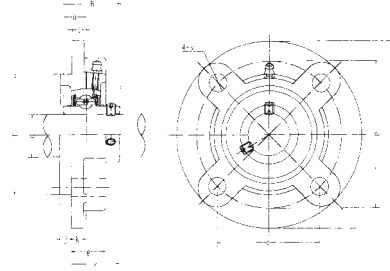
Flange Units (Square)

UCF 3 (heavy-duty)

www.exvalos.cz



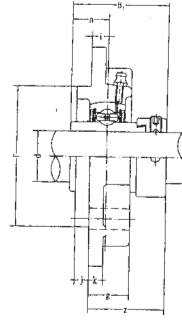
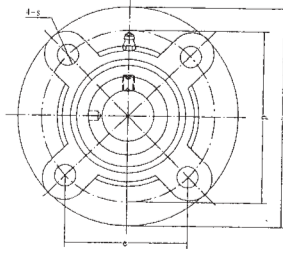
Unit No.	Dimensions ^{mm} / _{inch}										Bolt Size ^{mm} / _{inch}	Bearing No.	Housing No.	Weight (kg)
	d	a	e	i	g	l	s	z	B	n				
UCF 305	25	110	80	16	13	29	16	39	38	15	M14	UC 305	F305	1.1
UCF 305-13	13 ¹⁶ / ₁₆											UC 305-13		
UCF 305-14	7 ₈											UC 305-14		
UCF 305-15	15 ¹⁶ / ₁₆	4-11 ³² / ₃₂	3-5 ³² / ₃₂	5 ₈	1 ² / ₂	1-5 ³² / ₃₂	5 ₈	1-17 ³² / ₃₂	1.4961	0.591	1 ² / ₂	UC 305-15		
UCF 305-16	1											UC 305-16		
UCF 306	30	125	95	18	15	32	16	44	43	17	M14	UC 306	F306	1.6
UCF 306-17	1-1 ¹⁶ / ₁₆	4-29 ³² / ₃₂	3-37 ⁶⁴ / ₆₄	4 ⁵ / ₆₄	19 ³² / ₃₂	1-1 ⁴ / ₄	5 ₈	1-47 ⁶⁴ / ₆₄	1.6929	0.669	1 ² / ₂	UC 306-17		
UCF 306-18	1-1 ₈											UC 306-18		
UCF 306-19	1-3 ¹⁶ / ₁₆											UC 306-19		
UCF 307	35	135	100	20	16	36	19	49	48	19	M16	UC 307	F307	2
UCF 307-20	1-1 ⁴ / ₄											UC 307-20		
UCF 307-21	1-5 ¹⁶ / ₁₆	5-5 ¹⁶ / ₁₆	3-15 ¹⁶ / ₁₆	2 ⁵ / ₃₂	5 ₈	1-13 ³² / ₃₂	3 ₄	1-59 ⁶⁴ / ₆₄	1.8898	0.748	5 ₈	UC 307-21		
UCF 307-22	1-3 ₈											UC 307-22		
UCF 307-23	1-7 ¹⁶ / ₁₆											UC 307-23		
UCF 308	40	150	112	23	17	40	19	56	52	19	M16	UC 308	F308	2.7
UCF 308-24	1-1 ² / ₂	5-29 ³² / ₃₂	4-13 ³² / ₃₂	2 ⁹ / ₃₂	2 ¹ / ₃₂	1-9 ¹⁶ / ₁₆	3 ₄	2-13 ⁶⁴ / ₆₄	2.0472	0.748	5 ₈	UC 308-24		
UCF 308-25	1-9 ¹⁶ / ₁₆											UC 308-25		
UCF 309	45	160	125	25	18	44	19	60	57	22	M16	UC 309	F209	3.4
UCF 309-26	1-5 ₈											UC 309-26		
UCF 309-27	1-11 ¹⁶ / ₁₆	6-5 ¹⁶ / ₁₆	4-59 ⁶⁴ / ₆₄	6 ³ / ₆₄	2 ³ / ₃₂	1-23 ³² / ₃₂	3 ₄	2-23 ⁶⁴ / ₆₄	2.2441	0.866	5 ₈	UC 309-27		
UCF 309-28	1-3 ₄											UC 309-28		
UCF 310	50	175	132	28	19	48	23	67	61	22	M20	UC 310	F310	4.5
UCF 310-29	1-13 ¹⁶ / ₁₆											UC 310-29		
UCF 310-30	1-7 ₈	6-7 ₈	5-13 ⁶⁴ / ₆₄	1-7 ⁶⁴ / ₆₄	3 ₄	1-7 ₈	2 ⁹ / ₃₂	2-41 ⁶⁴ / ₆₄	2.4016	0.866	3 ₄	UC 310-30		
UCF 310-31	1-15 ¹⁶ / ₁₆											UC 310-31		
UCF 311	55	185	140	30	20	52	23	71	66	25	M20	UC 311	F311	5.5
UCF 311-32	2											UC311-32		
UCF 311-33	2-1 ¹⁶ / ₁₆	7-9 ³² / ₃₂	5-33 ⁶⁴ / ₆₄	1-3 ¹⁶ / ₁₆	2 ⁵ / ₃₂	2-1 ¹⁶ / ₁₆	2 ⁹ / ₃₂	2-51 ⁶⁴ / ₆₄	2.5984	0.948	3 ₄	UC311-33		
UCF 311-34	2-1 ₈											UC311-34		
UCF 311-35	2-3 ¹⁶ / ₁₆											UC311-35		
UCF 312	60	195	150	33	22	56	23	78	71	26	M20	UC312	F312	6.5
UCF 312-36	2-1 ₄											UC312-36		
UCF 312-37	2-5 ¹⁶ / ₁₆	7-11 ¹⁶ / ₁₆	5-29 ³² / ₃₂	1-19 ⁶⁴ / ₆₄	7 ₈	2-7 ³² / ₃₂	2 ⁹ / ₃₂	3-5 ⁶⁴ / ₆₄	1.024	1.024	3 ₄	UC312-37		
UCF 312-38	2-3 ₈											UC312-38		
UCF 312-39	2-7 ¹⁶ / ₁₆											UC312-39		
UCF 313	65	208	166	33	22	58	23	78	75	30	M20	UC313	F313	7.9
UCF 313-40	2-1 ² / ₂	8-3 ¹⁶ / ₁₆	6-17 ³² / ₃₂	1-19 ⁶⁴ / ₆₄	5 ⁵ / ₆₄	2-9 ³² / ₃₂	2 ⁹ / ₃₂	3-5 ⁶⁴ / ₆₄	2.9528	1.818	3 ₄	UC313-40		
UCF 313-41	2-9 ¹⁶ / ₁₆											UC313-41		
UCF 314	70	226	178	36	25	61	25	81	78	33	M22	UC314	F314	9.5
UCF 314-42	2-5 ₈											UC314-42		
UCF 314-43	2-11 ¹⁶ / ₁₆	8-29 ³² / ₃₂	6-1 ⁶⁴ / ₆₄	1-27 ⁶⁴ / ₆₄	3 ¹ / ₃₂	2-13 ³² / ₃₂	6 ³ / ₆₄	3-3 ¹⁶ / ₁₆	3.0708	1.299	7 ₈	UC314-43		
UCP 314-44	2-3 ₄											UC314-44		
UCF 315	75	236	184	39	25	66	25	89	82	32	M22	UC315	F315	1.2
UCF 315-45	2-13 ¹⁶ / ₁₆											UC315-45		
UCF 315-46	2-7 ₈											UC315-46		
UCF 315-47	2-15 ¹⁶ / ₁₆	9-19 ³² / ₃₂	7-1 ⁴ / ₄	1-17 ³² / ₃₂	3 ¹ / ₃₂	2-19 ³² / ₃₂	6 ³ / ₆₄	3-1 ² / ₂	3.2283	1.260	7 ₈	UC315-47		
UCF 315-48	3											UC315-48		
UCF 316	80	250	196	38	27	68	31	90	86	34	M27	UC316	F316	14
UCF 316-49	3-1 ¹⁶ / ₁₆											UC316-49		
UCF 316-50	3-1 ₈	9-27 ³² / ₃₂	7-23 ³² / ₃₂	1-1 ² / ₂	1-1 ¹⁶ / ₁₆	2-11 ¹⁶ / ₁₆	1-7 ³² / ₃₂	3-35 ⁶⁴ / ₆₄	3.3858	1.339	1	UC316-50		
UCF 316-51	3-3 ¹⁶ / ₁₆											UC316-51		
UCF 317	85	260	204	44	27	74	31	100	96	40	M27	UC317	F317	16
UCF 317-52	3-1 ₄											UC317-52		
UCF 317-53	3-5 ¹⁶ / ₁₆	10-1 ⁴ / ₄	8-1 ³² / ₃₂	1-47 ⁶⁴ / ₆₄	1-1 ¹⁶ / ₁₆	2-29 ³² / ₃₂	1-7 ³² / ₃₂	3-15 ¹⁶ / ₁₆	3.7795	1.575	1	UC317-53		
UCF 317-55	3-7 ¹⁶ / ₁₆											UF317-55		
UCF 318	90	280	216	44	30	76	35	100	96	40	M30	UC318	F318	19
UCF 318-55	3-7 ¹⁶ / ₁₆											UC318-55		
UCF 318-56	3-1 ² / ₂	11-1 ³² / ₃₂	8-1 ² / ₂	1-47 ⁶⁴ / ₆₄	1-3 ¹⁶ / ₁₆	3	1-3 ₈	3-15 ¹⁶ / ₁₆	3.7795	1.575	1-1 ⁸ / ₈	UC318-56		
UCF 319	95	290	228	59	30	94	35	121	103	41	M30	UC319	F319	22
UCF 319-58	3-5 ₈											UC319-58		
UCF 319-59	3-11 ¹⁶ / ₁₆	11-13 ³² / ₃₂	8-31 ³² / ₃₂	2-21 ⁶⁴ / ₆₄	1-3 ¹⁶ / ₁₆	3-11 ¹⁶ / ₁₆	1-3 ₈	4-49 ⁶⁴ / ₆₄	4.0551	1.614	1-1 ⁸ / ₈	UC319-59		
UCF 319-60	3-3 ₄											UC319-60		
UCF 320-64	100	310	242	59	32	94	38	125	108	42	M33	UC320-64	F320	25.8
		12-7 ³² / ₃₂	9-17 ³² / ₃₂	2-21 ⁶⁴ / ₆₄	1-1 ⁴ / ₄	3-11 ¹⁶ / ₁₆	1-1 ² / ₂	4-9 ³² / ₃₂	4.2519	1.6535	1-1 ⁴ / ₄			



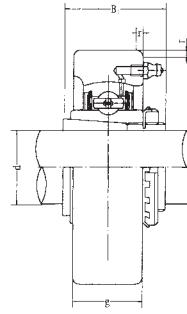
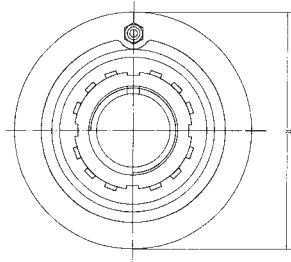
Unit No.	Dimensions <small>mm inch</small>														Bolt Size <small>mm inch</small>	Bearing No.	Housing No.	Weight (kg)
	d	a	p	e	i	S	j	k	g	f	z	B	n					
UCFC 201	12	100	78	55.1	10	12	5	7	20.5	62	28.3	31	12.7	M10	UC 201	FC204	0.73	
UCFC 201-8	3/4	3-15/16	3-5/64	2-11/64	25/64	15/32	13/64	9/32	13/16	2.4409	1-1/8	1.2205	0.500	3/8	UC 201-8	FC204	0.72	
UCFC 202	15	100	78	55.1	10	12	5	7	20.5	62	28.3	31	12.7	M10	UC 202	FC204	0.72	
UCFC 202-9	9/16	3-15/16	3-5/64	2-11/64	25/64	15/32	13/64	9/32	13/16	2.4409	1-1/8	1.2205	0.500	3/8	UC 202-9	FC204	0.72	
UCFC 202-10	5/8														UC 202-10	FC204	0.72	
UCFC 203	17	100	78	55.1	10	12	5	7	20.5	62	28.3	31	12.7	M10	UC 203	FC204	0.71	
UCFC 203-11	11/16	3-15/16	3-5/64	2-11/64	25/64	15/32	13/64	9/32	13/16	2.4409	1-1/8	1.2205	0.500	3/8	UC 203-11	FC204	0.70	
UCFC 204	20	100	78	55.1	10	12	5	7	20.5	62	28.3	31	12.7	M10	UC 204	FC204	0.69	
UCFC 204-12	3/4	3-15/16	3-5/64	2-11/64	25/64	15/32	13/64	9/32	13/16	2.4409	1-1/8	1.2205	0.500	3/8	UC 204-12	FC204	0.69	
UCFC 205	25	115	90	63.6	10	12	6	7	21	70	29.8	34.1	14.3	M10	UC 205		1.00	
UCFC 205-13	13/16														UC 205-13		1.04	
UCFC 205-14	7/8	4-17/32	3-35/64	2-1/12	25/64	15/32	15/64	9/32	53/64	2.7559	1-11/64	1.3425	0.563	3/8	UC 205-14	FC205	1.03	
UCFC 205-15	15/16														UC 205-15		1.01	
UCFC 205-16	1														UC 205-16		1.00	
UCFC 206	30	125	100	70.7	10	12	8	8	23	80	32.2	38.1	15.9	M10	UC 206		1.30	
UCFC 206-17	1-1/16														UC 206-17		1.31	
UCFC 206-18	1-1/8	4-59/64	3-15/16	2-25/32	25/64	15/32	5/16	5/16	29/32	3.1496	1-17/64	1.5000	0.626	3/8	UC 206-18	FC206	1.32	
UCFC 206-19	1-3/16														UC 206-19		1.30	
UCFC 206-20	1-1/4														UC 206-20		1.29	
UCFC 207	35	135	110	77.8	11	14	8	9	26	90	36.4	42.9	17.5	M12	UC 207		1.81	
UCFC 207-20	1-1/4														UC 207-20		1.87	
UCFC 207-21	1-5/16	5-5/16	4-21/64	3-1/16	7/16	35/64	5/16	23/64	1-1/32	3.5433	1-7/16	1.6890	0.689	7/16	UC 207-21	FC207	1.84	
UCFC 207-22	1-3/8														UC 207-22		1.81	
UCFC 207-23	1-7/16														UC 207-23		1.78	
UCFC 208	40	145	120	84.8	11	14	10	9	26	100	41.2	49.2	19	M12	UC 208		2.14	
UCFC 208-24	1-1/2	5-45/64	4-23/32	3-11/32	7/16	35/64	25/64	23/64	1-1/32	3.9370	1-5/8	1.9370	0.748	7/16	UC 208-24	FC208	2.18	
UCFC 208-25	1-9/16														UC 208-25		2.15	
UCFC 209	45	160	132	93.3	10	16	12	14	26	105	40.2	49.2	19	M14	UC 209		2.68	
UCFC 209-26	1-5/8														UC 209-26		2.78	
UCFC 209-27	1-11/16	6-19/64	5-13/64	3-43/64	25/64	5/8	15/32	35/64	1-1/32	4.1339	1-37/64	1.9370	0.748	1/2	UC 209-27	FC209	2.74	
UCFC 209-28	1-3/4														UC 209-28		2.70	
UCFC 210	50	165	138	97.6	10	16	12	14	28	110	42.6	51.6	19	M14	UC 210		2.90	
UCFC 210-29	1-13/16														UC 210-29		3.02	
UCFC 210-30	1-7/8	6-1/2	5-7/16	3-27/32	25/64	5/8	15/32	35/64	1-7/64	4.3307	1-11/16	2.0315	0.748	1/2	UC 210-30	FC210	2.97	
UCFC 210-31	1-15/16														UC 210-31		2.92	
UCFC 210-32	2														UC 210-32		2.88	
UCFC 211	55	185	150	106.1	13	19	12	15	31	125	46.4	55.6	22.2	M16	UC 211		4.01	
UCFC 211-32	2														UC 211-32		4.16	
UCFC 211-33	2-1/16	7-9/32	5-29/32	4-3/16	33/64	3/4	15/32	19/32	1-7/32	4.9213	1-53/64	2.1890	0.874	5/8	UC 211-33	FC211	4.10	
UCFC 211-34	2-1/8														UC 211-34		4.05	
UCFC 211-35	2-3/16														UC 211-35		3.99	
UCFC 212	60	195	160	113.1	17	19	12	15	36	135	56.7	65.1	25.4	M16	UC 212		4.94	
UCFC 212-36	2-1/4														UC 212-36		5.07	
UCFC 212-37	2-5/16	7-11/16	6-19/64	4-29/64	43/64	3/4	15/32	19/32	1-27/64	5.3150	2-15/64	2.5630	1.000	5/8	UC 212-37	FC212	4.99	
UCFC 212-38	2-3/8														UC 212-38		4.92	
UCFC 212-39	2-7/16														UC 212-39		4.85	
UCFC 213	65	205	170	120.2	16	19	14	15	36	145	55.7	65.1	25.4	M16	UC 213		5.65	
UCFC 213-40	2-1/2	8-5/64	6-11/16	4-47/64	5/8	3/4	35/64	19/32	1-27/64	5.5118	1-3/16	2.5630	1.000	5/8	UC 213-40	FC213	5.74	
UCFC 213-41	2-9/16														UC 213-41		5.65	
UCFC 214	70	215	177	125.1	17	19	14	18	40	150	61.4	74.6	30.2	M16	UC 214		6.95	
UCFC 214-42	2-5/8														UC 214-42		7.16	
UCFC 214-43	2-11/16	8-15/32	6-31/32	4-59/64	43/64	3/4	35/64	23/32	1-37/64	5.9055	1-13/32	2.9370	1.189	5/8	UC 214-43	FC214	7.06	
UCFC 214-44	2-3/4														UC 214-44		6.96	
UCFC 215	75	220	184	130.1	18	19	16	18	40	160	62.5	77.8	33.3	M16	UC 215		7.56	
UCFC 215-45	2-13/16														UC 215-45		7.81	
UCFC 215-46	2-7/8	8-21/32	7-1/4	5-1/8	23/32	3/4	5/8	23/32	1-37/64	6.2992	2-15/32	3.0630	1.311	5/8	UC 215-46	FC215	7.70	
UCFC 215-47	2-15/16														UC 215-47		7.59	
UCFC 215-48	3														UC 215-48		7.47	
UCFC 216	80	240	200	141.4	18	23	16	18	42	170	67.3	82.6	33.3	M20	UC 216		9.15	
UCFC 216-49	3-1/16														UC 216-49		9.28	
UCFC 216-50	3-1/8	9-29/64	7-7/8	5-9/16	23/32	29/32	5/8	23/32	1-21/32	6.6929	2-21/32	3.2520	1.311	3/4	UC 216-50	FC216	9.20	
UCFC 216-51	3-3/16														UC 216-51		9.07	
UCFC 217	85	250	208	147.1	18	23	18	20	45	180	69.6	85.7	34.1	M20	UC 217		10.81	
UCFC 217-52	3-1/4														UC 217-52		11.03	
UCFC 217-53	3-5/16	9-27/32	8-3/16	5-51/64	23/32	29/32	23/32	25/32	1-25/32	7.0866	2-3/4	3.3740	1.343	3/4	UC 217-53	FC217	10.89	
UCFC 217-55	3-7/16														UC 217-55		10.60	
UCFC 218	90	265	220	155.5	22	23	18	20	50	190	78.3	96	39.7	M20	UC 218		12.96	
UCFC 218-56	3-1/2	10-7/16	8-21/32	6-1/8	55/64	29/32	23/32	25/32	1-31/32	7.4803	3-3/32	3.7795	1.5630	3/4	UC 218-56	FC218	13.07	

Flange Cartridge Units

NAFC 2 (Normal-duty) (with Eccentric Locking Collar)

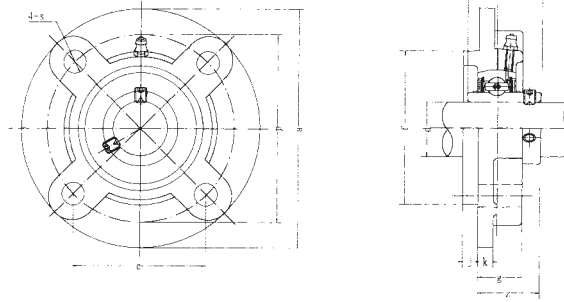


Unit No.	Dimensions ^{mm} / _{inch}														Bolt Size ^{mm} / _{inch}	Bearing No.	Housing No.	Weight (kg)
	d	a	p	e	i	S	j	k	g	f	z	B	n					
NAFC 204	20	100	78	55.1	10	12	5	7	20.5	62	36.6	43.7	17.1	M10	NA 204	FC204	0.76	
NAFC 204-12	3/4	3-15/16	3-5/64	2-11/64	25/64	15/32	13/64	9/32	13/16	2.4409	1-7/16	0.720	0.673	3/8	NA 204-12		0.76	
NAFC 205	25	115	90	63.6	10	12	6	7	21	70	36.9	44.4	17.5	M10	NA 205	FC205	1.07	
NAFC 205-13	13/16														NA 205-13		1.12	
NAFC 205-14	7/8	4-17/32	3-35/64	2-1/2	25/64	15/32	15/64	9/32	53/64	2.7559	1-29/64	1.748	0.689	3/8	NA 205-14		1.11	
NAFC 205-15	15/16														NA 205-15		1.09	
NAFC 205-16	1														NA 205-16		1.07	
NAFC 206	30	125	100	70.7	10	12	8	8	23	80	40.1	48.4	18.3	M10	NA 206	FC206	1.43	
NAFC 206-17	1-1/16														NA 206-17		1.48	
NAFC 206-18	1-3/8	4-59/64	3-15/16	2-25/32	25/64	15/32	5/16	5/16	29/32	3.1496	1-37/64	1.906	0.720	3/8	NA 206-18		1.45	
NAFC 206-19	1-3/16														NA 206-19		1.43	
NAFC 206-20	1-1/4														NA 206-20		1.40	
NAFC 207	35	135	110	77.8	11	14	8	9	26	90	43.3	51.1	18.8	M12	NA 207	FC207	1.93	
NAFC 207-20	1-1/4														NA 207-20		2.00	
NAFC 207-21	1-5/16	1-5/16	4-21/64	3-1/16	7/16	35/64	5/16	23/64	1-1/32	3.5433	1-45/64	2.012	0.740	7/16	NA 207-21		1.96	
NAFC 207-22	1-3/8														NA 207-22		1.93	
NAFC 207-23	1-7/16														NA 208-23		1.87	
NAFC 208	40	145	120	84.8	11	14	10	9	26	100	45.9	56.3	21.4	M12	NA 208	FC208	2.29	
NAFC 208-24	1-1/2														NA 208-24		2.34	
NAFC 208-25	1-9/16	5-45/64	4-23/32	3-11/32	7/16	35/64	25/64	23/64	1-1/32	3.9370	1-13/16	2.217	0.843	7/16	NA 208-25		2.30	
NAFC 209	45	160	132	93.3	10	16	12	14	26	105	44.9	56.3	21.4	M14	NA 209	FC209	2.85	
NAFC 209-26	1-5/8														NA 209-26		2.96	
NAFC 209-27	1-11/16	6-19/64	5-13/64	3-43/64	25/64	5/8	15/32	35/64	1-1/32	4.1339	1-49/64	2.217	0.843	1/2	NA 209-27		2.91	
NAFC 209-28	1-3/4														NA 209-28		2.87	
NAFC 210	50	165	138	97.6	10	16	12	14	28	110	48.1	62.7	24.6	M14	NA 210		F210	3.09
NAFC 210-29	1-13/16														NA 210-29	3.24		
NAFC 210-30	1-7/8	6-1/2	5-7/16	3-27/32	25/64	5/8	15/32	35/64	1-7/64	4.3307	1-57/64	2.469	0.969	1/2	NA 210-30	3.18		
NAFC 210-31	1-15/16														NA 210-31			
NAFC 210-32	2														NA 210-32	3.06		
NAFC 211	55	185	150	106.1	13	19	12	15	31	125	56.6	71.4	27.8	M16	NA 211	F211	4.22	
NAFC 211-32	2														NA 211-32		4.42	
NAFC 211-33	2-1/16	7-9/32	5-29/32	4-3/16	33/64	3/4	15/32	19/32	1-7/32	4.9213	2-15/64	2.811	1.094	5/8	NA 211-33		4.34	
NAFC 211-34	2-1/8														NA 211-34		4.27	
NAFC 211-35	2-3/16														NA 211-35		4.19	
NAFC 212	60	195	160	113.1	17	19	12	15	36	135	63.8	77.8	31	M16	NA 212	FC212	5.28	
NAFC 212-36	2-1/4														NA 212-36		5.44	
NAFC 212-37	2-5/8	7-11/16	6-19/64	4-29/64	43/64	3/4	15/32	19/32	1-27/64	5.3150	2-33/64	3.063	1.220	5/8	NA 212-37		5.35	
NAFC 212-38	2-3/8														NA 212-38		5.30	
NAFC 212-39	2-7/16														NA 212-39		5.17	
NAFC 213	65	205	170	120.2	16	19	14	15	36	145	67.6	85.7	34.1	M16	NA 213	FC213	6.21	
NAFC 213-40	2-1/2	8-5/64	6-11/16	4-47/64	5/8	3/4	35/64	19/32	1-27/64	5.5118	2-21/32	3.374	1.343	5/8	NA 214-40		6.31	
NAFC 213-41	2-9/16														NA 213-41		6.20	
NAFC 214	70	215	177	125.1	17	19	14	18	40	150	68.6	85.7	34.1	M16	NA 214	FC214	7.45	
NAFC 214-42	2-3/8														NA 214-42		7.69	
NAFC 214-43	2-11/16	8-15/32	6-31/32	4-59/64	43/64	3/4	35/64	23/32	1-37/64	5.9055	2-45/64	3.374	1.343	5/8	NA 214-43		7.58	
NAFC 214-44	2-3/4														NA 214-44		7.46	
NAFC 215	75	220	184	130.1	18	19	16	18	40	160	72.8	92.1	37.3	M16	NA 215	FC215	8.19	
NAFC 215-45	2-13/16														NA 215-45		8.49	
NAFC 215-46	2-7/8	8-21/32	7-1/4	5-1/8	23/32	3/4	5/8	23/32	1-37/64	6.2992	2-7/8	3.626	1.469	5/8	NA 215-46		8.36	
NAFC 215-47	2-15/16														NA 215-47		8.23	
NAFC 215-48	3														NA 215-48		8.09	

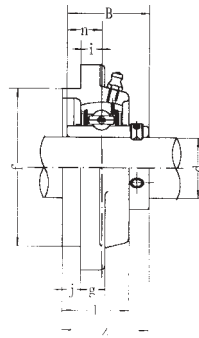
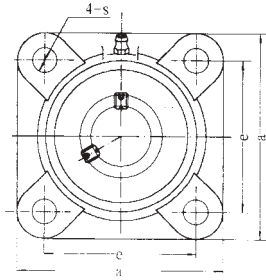


Unit No.	Dimensions ^{mm} / _{inch}												Bolt Size ^{mm} / _{inch}	Bearing No.	No.	Housing No.	Weight (kg)
	d	a	p	e	i	s	j	k	g	f	z	B ₁					
UKFC 205	20	115	90	63.6	10	12	6	7	21	70	29.5	35	M10	UK 205	H305 HE305	FC205	1.05
	³ / ₄	4- ¹⁷ / ₃₂	3- ³⁵ / ₆₄	2- ¹ / ₂	¹⁵ / ₆₄	¹⁵ / ₃₂	¹⁵ / ₆₄	9/32	⁵³ / ₆₄	2.7559	1- ⁵ / ₃₂	1.378	³ / ₈				
UKFC 206	25	125	100	70.7	10	12	8	8	23	80	31	38	M10	UK206	H306 HS306 HE306	FC206	1.34
	⁷ / ₈	4- ⁵⁹ / ₆₄	3- ¹⁵ / ₁₆	2- ²⁵ / ₃₂	²⁵ / ₆₄	¹⁵ / ₃₂	⁵ / ₁₆	⁵ / ₁₆	²⁹ / ₃₂	3.1496	1- ⁷ / ₃₂	1.496	³ / ₈				
	1																
UKFC 207	30	135	110	77.8	11	14	8	9	26	90	33.5	43	M12	UK207	H307 HS307	FC207	1.90
	1- ¹ / ₈	5- ⁵ / ₁₆	4- ²¹ / ₆₄	3- ¹ / ₁₆	⁷ / ₁₆	³⁵ / ₆₄	⁵ / ₁₆	²³ / ₆₄	1- ¹ / ₃₂	3.5433	1- ⁵ / ₁₆	1.693	⁷ / ₁₆				
UKFC 208	35	145	120	84.8	11	14	10	9	26	100	35.5	46	M12	UK208	H308 HS308 HS308	FC208	2.24
	1- ¹ / ₄	5- ⁴⁵ / ₆₄	4- ²³ / ₃₂	3- ¹ / ₃₂	⁷ / ₁₆	³⁵ / ₆₄	²⁵ / ₆₄	²³ / ₆₄	1- ¹ / ₃₂	3.9370	1- ²⁵ / ₆₄	1.811	⁷ / ₁₆				
UKFC 209	40	160	132	93.3	10	16	12	14	26	105	36	50	M14	UK 209	H309 HA309 HE309 HS309	FC209	2.83
	1- ⁷ / ₁₆																
	1- ¹ / ₂	6- ¹⁹ / ₆₄	5- ¹³ / ₆₄	3- ⁴³ / ₆₄	²⁵ / ₆₄	⁵ / ₈	¹⁵ / ₃₂	³⁵ / ₆₄	1- ¹ / ₃₂	4.1339	1- ²⁷ / ₆₄	1.969	1- ¹ / ₂				
UKFC 210	45	165	138	97.6	10	16	12	14	28	110	37.5	55	M14	UK 210	H310 HS310 HA310 HE310	FC210	3.07
	1- ⁵ / ₈																
	1- ¹¹ / ₁₆	6- ¹ / ₂	5- ⁷ / ₁₆	3- ²⁷ / ₃₂	²⁵ / ₆₄	⁵ / ₈	¹⁵ / ₃₂	³⁵ / ₆₄	1- ⁷ / ₆₄	4.3307	1- ¹⁵ / ₃₂	2.165	¹ / ₂				
UKFC 211	50	185	150	106.1	13	19	12	15	31	125	41.5	59	M16	UK 211	H311 HS311 HA311 HE311	FC211	4.16
	1- ⁷ / ₈																
	1- ¹⁵ / ₁₆	7- ⁹ / ₃₂	5- ²⁹ / ₃₂	4- ³ / ₁₆	³³ / ₆₄	³ / ₄	¹⁵ / ₃₂	¹⁹ / ₃₂	1- ⁷ / ₃₂	4.9213	1- ⁴¹ / ₆₄	2.323	⁵ / ₈				
UKFC 212	55	195	160	113.1	17	19	12	15	36	135	48	62	M16	UK 212	H312 HS312	FC212	4.99
	2- ¹ / ₈	7- ¹¹ / ₁₆	6- ¹⁹ / ₆₄	4- ²⁹ / ₆₄	⁴³ / ₆₄	³ / ₄	¹⁵ / ₃₂	¹⁹ / ₃₂	1- ²⁷ / ₆₄	5.3150	1- ⁵⁷ / ₆₄	2.441	⁵ / ₈				
UKFC 213	60	205	170	120.2	16	19	14	15	36	145	49	65	M16	UK 213	H313 HA313 HE313 HS313	FC213	5.56
	2- ³ / ₁₆																
	2- ¹ / ₄	8- ⁵ / ₆₄	6- ¹¹ / ₁₆	4- ⁴⁷ / ₆₄	⁵ / ₈	³ / ₄	³⁵ / ₆₄	¹⁹ / ₃₂	1- ²⁷ / ₆₄	5.5118	1- ¹⁵ / ₁₆	2.559	⁵ / ₈				
UKFC 215	65	220	184	130.1	18	19	16	18	40	160	53.5	73	M16	UK 215	H315 HA315 HE315	FC215	7.67
	2- ⁷ / ₁₆	8- ²¹ / ₃₂	7- ¹ / ₄	5- ¹ / ₈	²³ / ₃₂	³ / ₄	⁵ / ₈	²³ / ₃₂	1- ³⁷ / ₆₄	6.2992	2- ⁷ / ₆₄	2.874	⁵ / ₈				
	2- ¹ / ₂																
UKFC 216	70	240	200	141.4	18	23	16	18	42	170	57	78	M20	UK 216	H316 HA316 HE316	FC216	9.41
	2- ¹¹ / ₁₆	9- ²⁹ / ₆₄	7- ⁷ / ₈	5- ⁹ / ₁₆	²³ / ₃₂	²⁹ / ₃₂	⁵ / ₈	²³ / ₃₂	1- ²¹ / ₃₂	6.6929	2- ¹ / ₄	3.071	³ / ₄				
	2- ³ / ₄																
UKFC 217	75	250	208	147.1	18	23	18	20	45	180	59	82	M20	UK 217	H317 HA317 HE317	FC217	11.23
	2- ¹⁵ / ₁₆	9- ²⁷ / ₃₂	8- ³ / ₁₆	5- ⁵¹ / ₆₄	²³ / ₃₂	²⁹ / ₃₂	²³ / ₃₂	²⁵ / ₃₂	1- ²⁵ / ₃₂	7.0866	2- ²¹ / ₆₄	3.228	³ / ₄				
	3																
UKFC 218	80	265	220	155.5	22	23	18	20	50	190	64.5	86	M20	UK 218	H318 HA318	FC218	13.34
	3- ³ / ₁₆	10- ⁷ / ₁₆	8- ²¹ / ₃₂	6- ¹ / ₈	⁵⁵ / ₆₄	²⁹ / ₃₂	²³ / ₃₂	²⁵ / ₃₂	1- ³¹ / ₃₂	7.4803	3- ³⁵ / ₆₄	3.386	³ / ₄				

Flange Cartridge Units



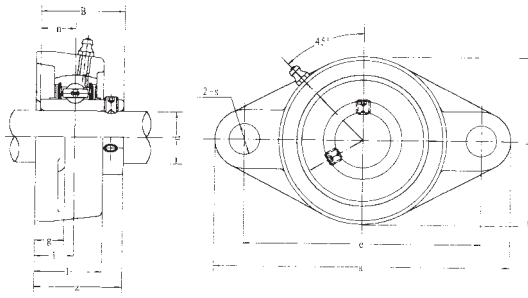
Unit No.	Dimensions <small>mm</small> <small>inch</small>														Bolt Size <small>mm</small> <small>inch</small>	Bearing No.	Housing No.	Weight (kg)
	d	a	p	e	i	s	j	k	g	f	z	B	n					
UCFCX 05	25	111	92	65	10	9.5	6	9.5	24	76	32.2	38.1	15.9	M8	UCX05	FCX05	1.2	
UCFCX 05-13	13/16														UCX05-13			
UCFCX 05-14	7/8	4-3/8	3-5/8	2-9/16	25/64	3/8	15/64	3/8	15/16	2.9921	1-9/32	1.5000	0.626	5/16	UCX05-14			
UCFCX 05-15	15/16														UCX05-15			
UCFCX 05-16	1														UCX05-16			
UCFCX 06	30	127	105	74.2	8	12	9.5	9.5	22.5	85	33.4	42.9	17.5	M10	UCX06	FCX06	1.5	
UCFCX 06-17	1-1/16														UCX06-17			
UCFCX 06-18	1-1/8	5	4-9/64	2-59/64	5/16	15/32	3/8	3/8	7/8	3.3465	1-5/16	1.6890	0.689	3/8	UCX06-18			
UCFCX 06-19	1-3/16														UCX06-19			
UCFCX 06-20	1-1/4														UCX06-20			
UCFCX 07	35	133	111	78.5	9	12	11	11	26	92	39.2	49.2	19	M10	UCX07	FCX07	1.9	
UCFCX 07-21	1-5/16														UCX07-21			
UCFCX 07-22	1-3/8	5-1/4	4-3/8	3-3/32	23/64	15/32	7/16	7/16	1-1/32	3.6220	1-17/32	1.9370	0.748	3/8	UCX07-22			
UCFCX 07-23	1-7/16														UCX07-23			
UCFCX 08	40	133	111	78.5	9	12	11	11	26	92	39.2	49.2	19	M10	UCX08	FCX08	2.0	
UCFCX 08-24	1-1/2	5-1/4	4-3/8	3-3/32	23/64	15/32	7/16	7/16	1-1/32	3.6220	1-17/32	1.9370	0.748	3/8	UCX08-24			
UCFCX 08-25	1-9/16														UCX08-25			
UCFCX 09	45	155	130	91.9	8	14	12	11	25	108	40.6	51.6	19	M12	UCX09	FCX09	2.6	
UCFCX 09-26	1-5/8														UCX09-26			
UCFCX 09-27	1-11/16	6-3/32	5-1/8	3-5/8	5/16	35/64	15/32	7/16	63/64	4.2520	1-19/32	2.0315	0.748	7/16	UCX09-27			
UCFCX 09-28	1-3/4														UCX09-28			
UCFCX 09-29	1-13/16														UCX09-29			
UCFCX 10	50	162	136	96.2	7	14	16	11	25	118	40.4	55.6	22.2	M12	UCX10	FCX10	3.2	
UCFCX 10-30	1-7/8														UCX10-30			
UCFCX 10-31	1-15/16	6-3/8	5-23/64	3-25/32	9/32	35/64	5/8	7/16	63/64	4.6457	1-19/32	2.1890	0.874	7/16	UCX10-31			
UCFCX 10-32	2														UCX10-32			
UCFCX 11	55	180	152	107.5	4	16	22	13	26	127	43.7	65.1	25.4	M14	UCX 11	FCX11	4.3	
UCFCX 11-33	2-1/16														UCX 11-33			
UCFCX 11-34	2-1/8														UCX 11-34			
UCFCX 11-35	2-3/16	7-3/32	5-63/64	4-15/64	5/32	5/8	55/64	1/2	1-1/32	5.0000	1-23/32	2.5630	1.000	1/2	UCX 11-35			
UCFCX 11-36	2-5/16														UC 211-36			
UCFCX 11-37															UC 211-37			
UCFCX 12	60	194	165	116.7	11	16	20	14	33	140	50.7	65.1	25.4	M14	UCX 12	FCX12	5.3	
UCFCX 12-38	2-3/8	7-5/8	6-1/2	4-19/32	7/16	5/8	25/32	9/16	1-5/16	5.5118	2	2.5630	1.000	1/2	UCX 12-38			
UCFCX 12-39	2-7/16														UCX 12-39			
UCFCX 13	65	194	165	116.7	11	16	20	14	33	140	55.4	74.6	30.2	M14	UCX 13	FCX13	5.7	
UCFCX 13-40	2-1/2	7-5/8	6-1/2	4-19/32	7/16	5/8	25/32	9/16	1-5/16	5.5118	2-3/16	2.9370	1.189	1/2	UCX 13-40			
UCFCX 13-41	2-9/16														UCX 13-41			
UCFCX 14	70	222	190	134.3	14	19	20	14	36	164	58.5	77.8	33.3	M16	UCX 14	FCX14	7.3	
UCFCX 14-42	2-5/8														UCX 14-42			
UCFCX 14-43	2-1/16	8-3/4	7-31/64	5-9/32	35/64	3/4	25/32	9/16	1-13/32	6.4567	2-5/16	3.0630	1.311	5/8	UCX 14-43			
UCFCX 14-44	2-3/4														UCX 14-44			
UCFCX 15	75	222	190	134.3	12	19	22	16	35	164	61.3	82.6	33.3	M16	UCX 15	FCX15	8	
UCFCX 15-45	2-13/16														UCX 15-45			
UCFCX 15-46	2-7/8	8-3/4	7-31/64	5-9/32	15/32	3/4	55/64	5/8	1-3/8	6.4567	2-13/32	3.2520	1.311	5/8	UCX 15-46			
UCFCX 15-47	2-15/16														UCX 15-47			
UCFCX 15-48	3														UCX 15-48			
UCFCX 16	80	260	219	154.8	10	23	25	19	36	186	61.6	85.7	34.1	M20	UCX 16	FCX16	11.3	
UCFCX 16-49	3-1/16														UCX 16-49			
UCFCX 16-50	3-1/8	10-1/4	8-5/8	6-3/32	25/64	29/32	63/64	3/4	1-13/32	7.3228	2-7/16	3.3740	1.343	3/4	UCX 16-50			
UCFCX 16-51	3-3/16														UCX 16-51			
UCFCX 16-52	3-1/4														UCX 16-52			
UCFCX 17	85	260	219	154.8	10	23	25	19	36	186	66.3	96	39.7	M20	UCX 17	FCX17	12.9	
UCFCX 17-53	3-5/16	10-1/4	8-5/8	6-3/32	25/64	29/32	63/64	3/4	1-13/32	7.3228	2-5/8	3.7795	1.5630	3/4	UCX 17-53			
UCFCX 17-55	3-7/16														UCX 17-55			



www.exvalos.cz

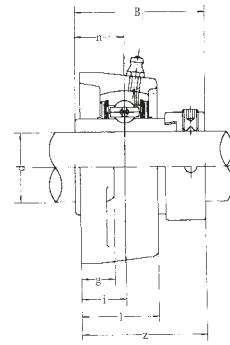
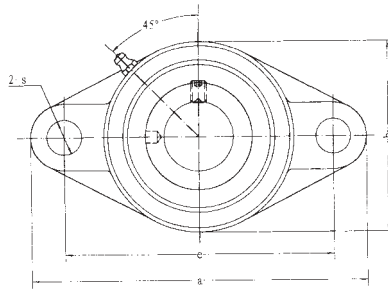
Unit No.	Dimensions ^{mm} / _{inch}												Bolt Size ^{mm} / _{inch}	Bearing No.	Housing No.	Weight (kg)
	d	a	p	e	i	s	j	k	g	f	z	B ₁				
UCFS 305	25	110	80	9	16	7	13	29	80	39	38	15	M14	UC 305	FS305	1.3
UCFS 305-13	¹³ / ₁₆													UC 305-13		
UCFS 305-14	⁷ / ₈	4- ¹¹ / ₃₂	3- ⁵ / ₃₂	²³ / ₆₄	⁵ / ₈	⁹ / ₃₂	¹ / ₂	1- ⁹ / ₆₄	3.1496	1- ¹⁷ / ₃₂	1.4961	0.591	¹ / ₂	UC 305-14		
UCFS 305-15	¹⁵ / ₁₆													UC 305-15		
UCFS 305-16	1													UC 305-16		
UCFS 306	30	125	95	10	16	8	15	32	90	44	43	17	M14	UC 306	FS306	1.9
UCFS 306-17	1- ¹ / ₁₆													UC 306-17		
UCFS 306-18	1- ¹ / ₈	4- ²⁹ / ₃₂	3- ⁴⁷ / ₆₄	²⁵ / ₆₄	⁵ / ₈	⁵ / ₁₆	¹⁹ / ₃₂	1- ¹⁷ / ₆₄	3.5433	4- ⁴⁷ / ₆₄	1.6929	0.669	¹ / ₂	UC 306-18		
UCFS 306-19	1- ³ / ₁₆													UC 306-19		
UCFS 307	35	135	100	11	19	9	16	36	100	49	48	19	M16	UC 307		
UCFS 307-20	1- ¹ / ₄													UC 307-20		
UCFS 307-21	1- ⁵ / ₁₆	5- ⁵ / ₁₆	3- ¹⁵ / ₁₆	⁷ / ₁₆	³ / ₄	²³ / ₆₄	⁵ / ₈	1- ¹³ / ₃₂	3.9730	1- ⁵⁹ / ₆₄	1.8898	0.748	⁵ / ₈	UC 307-21		
UCFS 307-22	1- ³ / ₈													UC 307-22		
UCFS 307-23	1- ⁷ / ₁₆													UC 307-23		
UCFS 308	40	150	112	13	19	10	17	40	115	56	52	19	M16	UC 308	FS308	3.3
UCFS 308-24	1- ¹ / ₂	5- ²⁹ / ₃₂	4- ¹³ / ₃₂	³³ / ₆₄	³ / ₄	²⁵ / ₆₄	²¹ / ₃₂	1- ⁹ / ₁₆	4.5276	2- ¹³ / ₆₄	2.0472	0.748	⁵ / ₈	UC 308-24		
UCFS 308-25	1- ⁹ / ₁₆													UC 308-25		
UCFS 309	45	160	125	14	19	11	18	44	125	60	57	22	M16	UC 309	FS309	4.0
UCFS 309-26	1- ⁵ / ₈													UC 309-26		
UCFS 309-27	1- ¹¹ / ₁₆	6- ⁵ / ₁₆	4- ⁵⁹ / ₆₄	³⁵ / ₆₄	³ / ₄	⁷ / ₁₆	²³ / ₃₂	1- ⁴⁷ / ₆₄	4.9213	2- ²³ / ₆₄	2.2441	0.866	⁵ / ₈	UC 309-27		
UCFS 309-28	1- ³ / ₄													UC 309-28		
UCFS 310	50	175	132	16	23	12	19	48	140	67	61	22	M20	UC 310	FS310	5.3
UCFS 310-29	1- ¹³ / ₁₆													UC 310-29		
UCFS 310-30	1- ⁷ / ₈	6- ⁷ / ₈	5- ¹³ / ₆₄	⁵ / ₈	²⁹ / ₃₂	¹⁵ / ₃₂	³ / ₄	1- ⁵⁷ / ₆₄	5.5118	2- ⁴¹ / ₆₄	2.4016	0.866	³ / ₄	UC 310-30		
UCFS 310-31	1- ¹⁵ / ₁₆													UC 310-31		
UCFS 311	55	185	140	17	23	13	20	52	150	71	66	25	M20	UC 311	FS311	6.2
UCFS 311-32	2													UC 311-32		
UCFS 311-33	2- ¹ / ₁₆	7- ⁹ / ₃₂	5- ³³ / ₆₄	⁴³ / ₆₄	²⁹ / ₃₂	³³ / ₆₄	²⁵ / ₃₂	2- ³ / ₆₄	5.9055	2- ⁵¹ / ₆₄	2.5984	0.984	³ / ₄	UC 311-33		
UCFS 311-34	2- ¹ / ₈													UC 311-34		
UCFS 311-35	2- ³ / ₁₆													UC 311-35		
UCFS 312	60	195	150	19	23	14	22	56	160	78	71	26	M20	UC312	FX312	7.2
UCFS 312-36	2- ¹ / ₄													UC 312-36		
UCFS 312-37	2- ⁵ / ₁₆	7- ¹¹ / ₁₆	5- ²⁹ / ₃₂	³ / ₄	²⁹ / ₃₂	³⁵ / ₆₄	⁷ / ₈	2- ⁷ / ₃₂	6.2922	3- ⁵ / ₆₄	2.7953	1.024	³ / ₄	UC 312-37		
UCFS 312-38	2- ³ / ₈													UC 312-38		
UCFS 312-39	2- ⁷ / ₁₆													UC 312-39		
UCFS 313	65	208	166	15	23	18	22	58	175	78	75	30	M20	UC 313	FX313	8.9
UCFS 313-40	2- ¹ / ₂	8- ³ / ₁₆	6- ¹⁷ / ₃₂	¹⁹ / ₃₂	²⁹ / ₃₂	⁴⁵ / ₆₄	⁵⁵ / ₆₄	2- ⁹ / ₃₂	6.8898	3- ⁵ / ₆₄	2.9528	1.181	³ / ₄	UC 313-40		
UCFS 313-41	2- ⁹ / ₁₆													UC 313-41		
UCFS 314	70	226	178	18	25	18	25	61	185	81	78	33	M22	UC 314	FS314	11
UCFS 314-42	2- ⁵ / ₈													UC 314-42		
UCFS 314-43	2- ¹¹ / ₁₆	8- ²⁹ / ₃₂	6- ¹ / ₆₄	⁴⁵ / ₆₄	⁶³ / ₆₄	⁴⁵ / ₆₄	³¹ / ₃₂	2- ¹³ / ₃₂	7.2835	3- ³ / ₁₆	3.0708	1.299	⁷ / ₈	UC 314-43		
UCFS 314-44	2- ³ / ₄													UC 314-44		

Flange Unit (oval)



Unit No.	Dimensions mm inch											Bolt Size mm inch	Bearing No.	Housing No.	Weight (kg)
	d	a	e	i	g	l	S	b	z	B	n				
* UCFL 201	12	113	90	15	11	25.5	12	60	33.3	31	12.7	M10	UC 201	FL204	0.45
* UCFL 201-8	3/4	4-7/16	3-35/64	19/32	7/16	1	15/32	2-3/8	1-5/16	1.2205	0.500	3/8			UC 201-8
* UCFL 202	15	113	90	15	11	25.5	12	60	33.3	31	12.7	M10	UC 202	FL204	0.44
* UCFL 202-9	9/16	4-7/16	3-35/64	19/32	7/16	1	15/32	2-3/8	1-5/16	1.2205	0.500	3/8			UC 202-9
* UCFL 202-10	5/8												UC 202-10	0.44	
* UCFL 203	17	113	90	15	11	25.5	12	60	33.3	31	12.7	M10	UC 203	FL204	0.43
* UCFL 203-11	1 1/16	4-7/16	3-35/64	19/32	7/16	1	15/32	2-3/8	1-5/16	1.2205	0.500	3/8			UC 203-11
* UCFL 204	20	113	90	15	11	25.5	12	60	33.3	31	12.7	M10	UC 204	FL204	0.41
* UCFL 204-12	3/4	4-7/16	3-35/64	19/32	7/16	1	15/32	2-3/8	1-5/16	1.2205	0.500	3/8			UC 204-12
* UCFL 205	25	130	99	16	13	27	16	68	35.8	34.1	14.3	M14	UC 205	FL205	0.58
* UCFL 205-13	1 3/16														UC 205-13
* UCFL 205-14	7/8	5-1/8	3-57/64	5/8	1/2	1-1/16	5/8	2-11/16	1-13/32	1.3425	0.563	1/2	UC 205-14	0.61	
* UCFL 205-15	15/16												UC 205-15	0.59	
* UCFL 205-16	1												UC 205-16	0.58	
* UCFL 206	30	148	117	18	13	31	16	80	40.2	38.1	15.9	M14	UC 206	FL206	0.86
* UCFL 206-17	1-1/16														UC 206-17
* UCFL 206-18	1-1/8	5-13/16	4-39/64	45/64	1/2	1-7/32	5/8	3-5/32	1-19/32	1.5000	0.626	1/2	UC 206-18	0.88	
* UCFL 206-19	1-3/16												UC 206-19	0.86	
* UCFL 206-20	1-1/4												UC 206-20	0.85	
* UCFL 207	35	161	130	19	14	34	16	90	44.4	42.9	17.5	M14	UC 207	FL207	1.08
* UCFL 207-20	1-1/4														UC 207-20
* UCFL 207-21	1-5/16	6-11/32	5-1/8	3/4	35/64	1-13/32	5/8	3-35/64	1-3/4	1.6890	0.689	1/2	UC 207-21	1.11	
* UCFL 207-22	1-3/8												UC 207-22	1.08	
* UCFL 207-23	1-7/16												UC 207-23	1.05	
* UCFL 208	40	175	144	21	14	36	16	100	51.2	49.2	19	M14	UC 208	FL208	1.44
* UCFL 208-24	1-1/2	6-7/8	5-43/64	53/64	35/64	1-13/32	5/8	3-15/16	2-1/64	1.9370	0.748	1/2			UC 208-24
* UCFL 208-25	1-9/16												UC 208-25	1.45	
* UCFL 209	45	188	148	22	15	38	19	108	52.2	49.2	19	M16	UC 209	FL209	1.74
* UCFL 209-26	1-9/8														UC 209-26
* UCFL 209-27	1-11/16	7-13/32	5-53/64	55/64	19/32	1-1/2	3/4	4-1/4	2-1/16	1.9370	0.748	5/8	UC 209-27	1.80	
* UCFL 209-28	1-3/4												UC 209-28	1.76	
* UCFL 210	50	197	157	22	15	40	19	115	54.6	51.6	19	M16	UC 210	FL210	2.10
* UCFL 210-29	1-13/16														UC 210-29
* UCFL 210-30	1-7/8	7-3/4	6-3/16	55/64	19/32	1-37/64	3/4	4-17/32	2-5/32	2.0315	0.748	5/8	UC 210-30	2.17	
* UCFL 210-31	1-15/16												UC 210-31	2.12	
* UCFL 210-32	2												UC 210-32	2.08	
* UCFL 211	55	224	184	25	18	43	19	130	58.4	55.6	22.2	M16	UC 211	FL211	2.91
* UCFL 211-32	2														UC 211-32
* UCFL 211-33	2-1/16	8-13/16	7-1/4	63/64	23/32	1-11/16	3/4	5-1/8	2-5/16	2.1890	0.874	5/8	UC 211-33	3.00	
* UCFL 211-34	2-1/8												UC 211-34	2.95	
* UCFL 211-35	2-3/16												UC 211-35	2.89	
* UCFL 212	60	250	202	29	18	48	23	140	68.7	65.1	25.4	M20	UC 212	FL212	3.74
* UCFL 212-36	2-1/4														UC 212-36
* UCFL 212-37	2-5/16	9-27/32	7-81/64	1-9/64	23/32	1-7/8	29/32	5-1/2	2-23/32	2.5630	1.000	3/4	UC 212-37	3.79	
* UCFL 212-38	2-3/8												UC 212-38	3.72	
* UCFL 212-39	2-7/16												UC 212-39	3.65	
UCFL 213	65	258	210	30	22	50	23	155	69.7	65.1	25.4	M20	UC 213	FL213	4.57
UCFL 213-40	2-1/2	10-5/32	8-17/64	1-3/16	7/8	1-31/32	29/32	6-3/32	2-3/4	2.5630	1.000	3/4			UC 213-40
UCFL 213-41	2-9/16												UC 213-41	4.57	
UCFL 214	70	265	216	31	22	54	23	160	75.4	74.6	30.2	M20	UC 214	FL214	5.11
UCFL 214-42	2-5/8														UC 214-42
UCFL 214-43	2-11/16	10-7/16	8-1/2	1-7/32	7/8	2-1/8	29/32	6-5/16	2-31/32	2.9370	1.189	3/4	UC 214-43	5.22	
UCFL 214-44	2-3/4												UC 214-44	5.12	
UCFL 215	75	275	225	34	22	56	23	165	78.5	77.8	33.3	M20	UC 215	FL215	5.37
UCFL 215-45	2-13/16														UC 215-45
UCFL 215-46	2-7/8	10-13/16	8-55/64	1-11/32	7/8	2-7/32	29/32	6-1/2	3-3/32	3.0630	1.311	3/4	UC 215-46	5.51	
UCFL 215-47	2-15/16												UC 215-47	5.40	
UCFL 215-48	3												UC 215-48	5.28	
UCFL 216	80	290	233	34	22	58	25	180	83.3	82.6	33.3	M22	UC 216	FL216	7.20
UCFL 216-49	3-1/16														UC 216-49
UCFL 216-50	3-1/8	11-13/32	9-11/64	1-11/32	7/8	2-9/32	63/64	7-3/32	3-9/32	3.2520	1.311	7/8	UC 216-50	7.25	
UCFL 216-51	3-1/16												UC 216-51	7.12	
UCFL 217	85	305	248	36	24	63	25	190	87.6	85.7	34.1	M22	UC 217	FL217	8.61
UCFL 217-52	3-1/4														UC 217-52
UCFL 217-53	3-5/16	12	9-49/64	1-27/64	15/16	2-15/32	63/64	7-15/32	3-7/16	3.3740	1.343	7/8	UC 217-53	8.69	
UCFL 217-55	3-7/16												UC 217-55	8.40	
UCFL 218	90	320	265	40	24	68	25	205	96.3	96	39.7	M22	UC 218	FL218	10.51
UCFL 218-56	3-1/2	12-19/32	10-7/16	1-37/64	15/16	2-11/16	63/64	8-1/16	3-25/32	3.7795	1.5630	7/8			UC 218-56

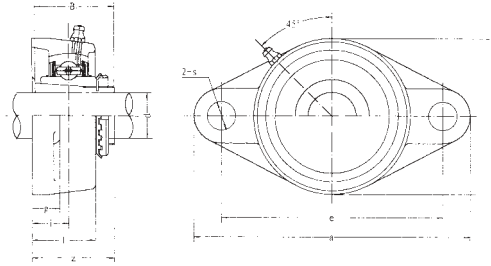
* Add SP in front of the Unit No for Stainless Steel Bearing with Thermo-Plastic Housing (Eg. SP UCP 205)
 Add C as suffix for both side Open cover (Eg. SP UCP 205 C)
 or CD as suffix for one side Open & one side Closed cover (Eg. SP UCP 205 CD)



Unit No.	Dimensions <small>mm inch</small>											Bolt Size <small>mm inch</small>	Bearing No.	Housing No.	Weight (kg)
	d	a	e	i	g	l	s	b	z	B ₁	n				
NAFL 204	20	113	90	15	11	25.5	12	60	41.6	43.7	17.1	M10	NA 204	FL204	0.48
NAFL 204-12	3/4	4-7/16	3-35/64	19/32	7/16	1	15/32	2-3/8	1-41/64	1.720	0.673	3/8	NA 204-12		0.48
NAFL 205	25	130	99	16	13	27	16	68	42.9	44.4	17.5	M14	NA 205		0.65
NAFL 205-13	13/16												NA 205-13		0.70
NAFL 205-14	7/8	5-1/8	3-57/64	5/8	1/2	1-1/16	5/8	2-11/16	1-11/16	1.748	0.689	1/2	NA 205-14	FL205	0.69
NAFL 205-15	15/16												NA 205-15		0.67
NAFL 205-16	1												NA 205-16		0.65
NAFL 206	30	148	117	18	13	31	16	80	48.1	48.4	18.3	M14	NA 206		0.99
NAFL 206-17	1-1/16												NA 206-17		1.04
NAFL 206-18	1-3/8	5-13/16	4-39/64	45/64	1/2	1-7/32	5/8	3-5/32	1-57/64	1.906	0.720	1/2	NA 206-18	FL206	1.01
NAFL 206-19	1-3/16												NA 206-19		0.99
NAFL 206-20	1-1/4												NA 206-20		0.96
NAFL 207	35	161	130	19	14	34	16	90	51.3	51.1	18.8	M14	NA 207		1.20
NAFL 207-20	1-1/4												NA 207-20		1.27
NAFL 207-21	1-5/16	6-11/32	5-1/8	3/4	35/64	1-11/32	5/8	3-35/64	2-1/64	2.012	0.740	1/2	NA 207-21	FL207	1.23
NAFL 207-22	1-3/8												NA 207-22		1.20
NAFL 207-23	1-7/16												NA 208-23		1.17
NAFL 208	40	175	144	21	14	36	16	100	55.9	56.3	21.4	M14	NA 208		1.59
NAFL 208-24	1-1/2	6-7/8	5-43/64	53/64	35/64	1-18/32	5/8	3-15/16	2-13/64	2.217	0.843	1/2	NA 208-24	FL208	1.64
NAFL 208-25	1-9/16												NA 208-25		1.60
NAFL 209	45	188	148	22	15	38	19	108	56.9	56.3	21.4	M16	NA 209		1.91
NAFL 209-26	1-5/8												NA 209-26		2.02
NAFL 209-27	1-11/16	7-13/32	5-53/64	55/64	19/32	1-1/2	3/4	4-1/4	2-15/64	2.217	0.843	5/8	NA 209-27	FL209	1.97
NAFL 209-28	1-3/4												NA 209-28		1.93
NAFL 210	50	197	157	22	15	40	19	115	60.1	62.7	24.6	M16	NA 210		2.29
NAFL 210-29	1-13/16												NA 210-29		2.44
NAFL 210-30	1-7/8	7-3/4	6-3/16	55/64	19/32	1-37/64	3/4	4-17/32	2-23/64	2.469	0.969	5/8	NA 210-30	FL210	2.38
NAFL 210-31	1-15/16												NA 210-31		2.32
NAFL 210-32	2												NA 210-32		2.26
NAFL 211	55	224	184	25	18	43	19	130	68.6	71.4	27.8	M16	NA 211		3.12
NAFL 211-32	2												NA 211-32		3.32
NAFL 211-33	2-1/16	8-13/16	7-1/4	63/64	23/32	1-11/16	3/4	5-1/8	2-45/64	2.811	1.094	5/8	NA 211-33	FL211	3.24
NAFL 211-34	2-1/8												NA 211-34		3.17
NAFL 211-35	2-3/16												NA 211-35		3.09
NAFL 212	60	250	202	29	18	48	23	140	75.8	77.8	31	M20	NA 212		4.08
NAFL 212-36	2-4/1												NA 212-36		4.24
NAFL 212-37	2-5/16	9-27/32	7-81/64	1-9/64	23/32	1-7/8	29/32	5-1/2	2-63/64	3.063	1.220	3/4	NA 212-37	FL212	4.15
NAFL 212-38	2-3/8												NA 212-38		4.10
NAFL 212-39	2-7/16												NA 212-39		3.97
NAFL 213	65	258	210	30	22	50	23	155	81.6	85.7	34.1	M20	NA 213		5.13
NAFL 213-40	2-1/2												NA 213-40	FL213	5.23
NAFL 213-41	2-9/16	10-5/32	8-17/64	1-3/16	7/8	1-31/32	29/32	6-3/32	3-7/32	3.374	1.343	3/4	NA 213-41		5.12
NAFL 214	70	265	216	31	22	54	23	160	82.6	85.7	34.1	M20	NA 214		5.61
NAFL 214-42	2-3/8												NA 214-42		5.85
NAFL 214-43	2-3/4	10-7/16	8-1/2	1-7/32	7/8	2-1/8	29/32	6-5/16	3-1/4	3.374	1.343	3/4	NA 213-43	FL214	5.12
NAFL 214-44	2-3/4												NA 214-44		5.62
NAFL 215	75	275	225	34	22	56	23	165	88.8	92.1	37.3	M20	NA 215		6.00
NAFL 215-45	2-13/16												NA 215-45		6.30
NAFL 214-46	2-7/8	10-13/16	8-55/64	1-11/32	7/8	2-7/32	29/32	6-1/2	3-1/2	3.626	1.426	3/4	NA 215-46	FL215	6.17
NAFL 214-47	2-15/16												NA 215-47		6.04
NAFL 214-48	3												NA 215-48		5.90

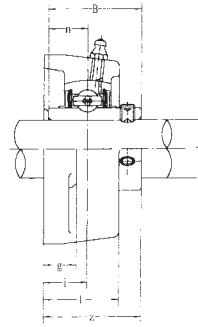
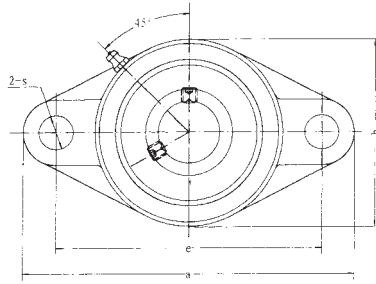
Flange Unit (oval)
(Adapter mounted)

UKFL 2 (normal-duty)



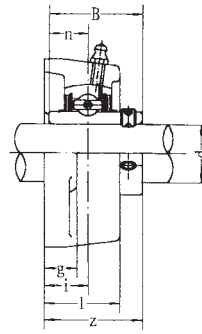
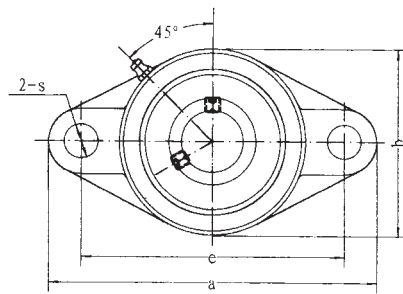
www.exvalos.cz

Unit No.	Dimensions ^{mm} / _{inch}										Bolt Size mm inch	Bearing No.	No.	Housing No.	Weight (kg)
	d	h	a	e	b	S ₁	S ₂	g	B	n					
UKFL 205	20 3/4	130 5-1/8	99 3-57/64	16 5/8	13 1/2	27 1-1/16	16 5/8	68 2-11/16	35.5 1-25/64	35 1.378	M14 1/2	UK 205	H305 HE305	FL205	0.63
UKFL 206	25 7/8 1	148 5-13/16	117 4-39/64	18 45/64	13 1/2	31 1-7/32	16 5/8	80 3-5/32	39 1-17/32	38 1.496	M14 1/2	UK 206	H306 HS306 HE306	FL206	0.90
UKFL 207	30 1-1/8	161 6-11/32	130 5-1/8	19 3/4	14 35/64	34 1-11/32	16 5/8	90 3-25/64	42.5 1-43/64	43 1.693	M14 1/2	UK 207	H307 HS307	FL207	1.17
UKFL 208	35 1-1/4 1-3/8	175 6-7/8	144 5-43/64	21 53/64	14 35/64	36 1-13/32	16 5/8	100 3-15/16	46.5 1-53/64	46 1.811	M14 1/2	UK 208	H308 HE308 H309	FL208	1.54
UKFL 209	40 1-7/16 1-1/2 1-5/8	188 7-13/32	148 5-53/64	22 55/64	15 19/32	38 1-1/2	19 3/4	108 4-1/4	48.5 1-29/32	50 1.969	M16 5/8	UK 209	HA309 HE309 HS309 H310	FL209	1.89
UKFL 210	45 1-5/8 1-11/16 1-3/4	197 7-3/4	157 6-3/16	22 55/64	15 19/32	40 1-37/64	19 3/4	115 4-17/32	50 1-31/32	55 2.165	M16 5/8	UK 210	H310 HA310 HE310	FL210	2.27
UKFL 211	50 1-7/8 1-15/16 2	224 8-13/16	184 7-1/4	25 63/64	18 23/32	43 1-11/16	19 3/4	130 5-1/8	54.5 2-9/64	59 2.323	M16 5/8	UK 211	H311 HS311 HA311 HE311	FL211	3.06
UKFL 212	55 2-1/8	250 9-17/32	202 7-9/64	29 1-9/64	18 23/32	48 1-7/8	23 29/32	140 5-1/2	61 2-13/32	62 2.441	M20 3/4	UK 212	H312 HS312	FL212	3.79
UKFL 213	60 2-3/16 2-1/4 2-3/8	258 10-5/32	210 8-17/64	30 1-3/16	22 7/8	50 1-31/32	23 29/32	155 6-3/32	64 2-33/64	65 2.559	M20 3/4	UL 213	H313 HA313 HE313 HS313	FL213	4.48
UKFL 215	65 2-7/16 2-1/2	275 10-13/16	225 8-55/64	34 1-11/32	22 7/8	56 2-7/32	23 29/32	165 6-1/2	71 2-51/64	73 2.874	M20 3/4	UK 215	H315 HA315 HE315	FL215	5.48
UKFL 216	70 2-11/16 2-3/4	290 11-13/32	233 9-11/64	34 1-11/32	22 7/8	58 2-9/32	25 63/64	180 7-3/32	73.5 2-57/64	78 3.071	M22 7/8	UK 216	H316 HA316 HE316	FL216	7.46
UKFL 217	75 2-15/16 3	305 12	248 9-46/64	36 1-27/64	24 15/16	63 2-15/32	25 63/64	190 7-15/32	77 3-1/32	82 3.228	M22 7/8	UK 217	H317 HA317 HE317	FL217	9.03
UKFL 218	80 3-3/16	320 12-19/32	265 10-7/16	40 1-37/64	24 15/16	68 2-11/16	25 63/54	205 8-1/16	81.5 3-13/64	86 3.386	M22 7/8	UK 218	H318 HA318	FL218	10.89



Unit No.	Dimensions ^{mm} / _{inch}											Bolt Size ^{mm} / _{inch}	Bearing No.	Housing No.	Weight (kg)
	d	a	e	i	g	l	s	b	z	B	n				
UCFLX 05	25	141	117	18	13	30	12	83	40.2	38.1	15.9	M10	UCX 05	FLX05	1.0
UCFLX 05-13	13/16												UCX 05-13		
UCFLX 05-14	7/8	5-9/16	4-39/64	45/64	1/2	1-3/16	15/32	3-9/32	1-37/64	1.5000	0.626	3/8	UCX 05-14		
UCFLX 05-15	15/16												UCX 05-15		
UCFLX 05-16	1												UCX 05-16		
UCFLX 06	30	156	130	19	15	34	16	95	44.4	42.9	17.5	M14	UCX 06	FLX06	1.5
UCFLX 06-17	1-1/16												UCX 06-17		
UCFLX 06-18	1-1/8	6-5/32	5-1/8	3/4	19/32	1-11/32	5/8	3-3/4	1-3/4	1.6890	0.689	1/2	UCX 06-18		
UCFLX 06-19	1-3/16												UCX 06-19		
UCFLX 06-20	1-1/4												UCX 06-20		
UCFLX 07	35	171	144	21	16	38	16	105	51.2	49.2	19	M14	UCX 07	FLX07	2.0
UCFLX 07-21	1-5/16												UCX 07-21		
UCFLX 07-22	1-3/8	6-23/32	5-43/64	53/64	5/8	1-1/2	5/8	4-1/8	2-1/64	1.9370	0.748	1/2	UCX 07-22		
UCFLX 07-23	1-7/16												UCX 07-23		
UCFLX 08	40	179	148	22	16	40	16	111	52.2	49.2	19	M14	UCX 08	FLX08	2.2
UCFLX 08-24	1-1/2	7-1/16	5-53/64	55/64	5/8	1-9/16	5/8	4-3/8	2-1/16	1.9370	0.748	1/2	UCX 08-24		
UCFLX 08-25	1-9/16												UCX 08-25		
UCFLX 09	45	189	157	23	16	40	16	116	55.6	51.6	19	M14	UCX 09	FLX09	2.4
UCFLX 09-26	1-5/8												UCX 09-26		
UCFLX 09-27	1-11/16	7-7/16	6-3/16	29/32	5/8	1-37/64	5/8	4-9/16	2-3/16	2.0315	0.748	1/2	UCX 09-27		
UCFLX 09-28	1-3/4												UCX 09-28		
UCFLX 09-29	1-13/16												UCX 09-29		
UCFLX 10	50	216	184	26	18	44	19	133	59.4	55.6	22.2	M16	UCX 10	FLX10	3.4
UCFLX 10-30	1-7/8												UCX 10-30		
UCFLX 10-31	1-15/16	8-1/2	7-1/4	1-1/32	23/32	1-23/32	3/4	5-1/4	2-11/32	2.1890	0.874	5/8	UCX 10-31		
UCFLX 10-32	2												UCX 11-32		

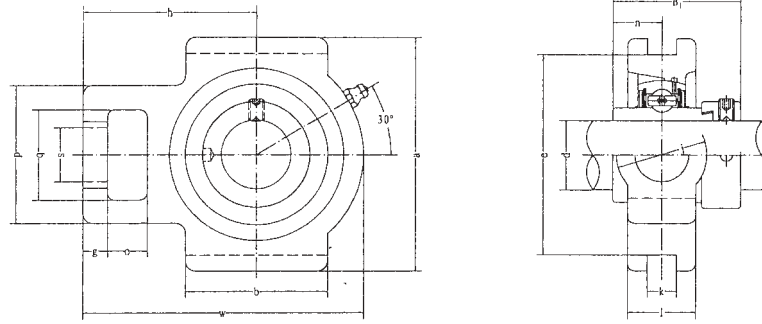
Flange Unit (oval)



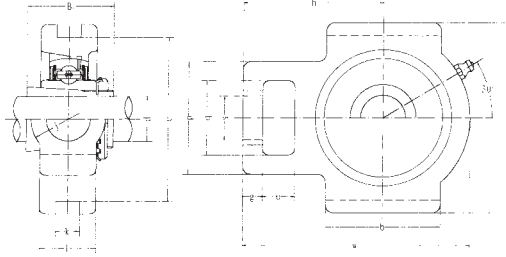
Unit No.	Dimensions ^{mm} / _{inch}											Bolt Size ^{mm} / _{inch}	Bearing No.	Housing No.	Weight (kg)
	d	a	e	i	g	l	s	b	z	B ₁	n				
UCFL 305	25	150	113	16	13	29	19	80	39	38	15	M16	UCFL 305	FL305	1.1
UCFL 305-13	1 ³ / ₁₆												UCFL 305-13		
UCFL 305-14	7/8	5-29/32	4-7/16	5/8	1/2	1-5/32	3/4	3-5/32	1-17/32	1.4961	0.591	5/8	UCFL 305-14		
UCFL 305-15	1 ⁵ / ₁₆												UCFL 305-15		
UCFL 305-16	1												UCFL 305-16		
UCFL 306	30	180	134	18	15	32	23	90	44	43	17	M20	UCFL 306	FL306	1.5
UCFL 306-17	1-1/16												UCFL 306-17		
UCFL 306-18	1-1/8	7-3/32	5-9/32	4 ⁵ / ₆₄	19/32	1-1/4	29/32	3-17/32	1-47/64	1.6929	0.669	3/4	UCFL 306-18		
UCFL 306-19	1-3/16												UCFL 306-19		
UCFL 307	35	185	141	20	16	36	23	100	49	48	19	M20	UCFL 307		
UCFL 307-20	1-1/4												UCFL 307-20		
UCFL 307-21	1-5/16	7-9/32	5-35/64	2 ⁵ / ₃₂	5/8	1-13/32	29/32	3-15/16	1-59/64	1.8898	0.748	3/4	UCFL 307-21		
UCFL 307-22	1-3/8												UCFL 307-22		
UCFL 307-23	1-7/16												UCFL 307-23		
UCFL 308	40	200	158	23	17	40	23	112	56	52	19	M20	UCFL 308	FL308	2.5
UCFL 308-24	1-1/2	7-7/8	5-7/32	29/32	2 ¹ / ₃₂	1-9/16	29/32	4-13/32	1-13/64	2.0472	0.748	3/4	UCFL 308-24		
UCFL 308-25	1-9/16												UCFL 308-25		
UCFL 309	45	230	177	25	18	44	25	125	60	57	22	M22	UCFL 309	FL309	3.4
UCFL 309-26	1-5/8												UCFL 309-26		
UCFL 309-27	1-11/16	9-1/16	6-31/32	6 ³ / ₆₄	2 ³ / ₃₂	1-2 ³ / ₃₂	6 ³ / ₆₄	4-29/32	2-2 ³ / ₆₄	2.2441	0.866	7/8	UCFL 309-27		
UCFL 309-28	1-3/4												UCFL 309-28		
UCFL 310	50	240	187	28	19	48	25	140	67	61	22	M22	UCFL 310	FL310	4.4
UCFL 310-29	1-13/16												UCFL 310-29		
UCFL 310-30	1-7/8	9-7/16	7-2 ³ / ₆₄	1-7/64	3/4	1-7/8	6 ³ / ₆₄	5-1/2	2-4 ¹ / ₆₄	2.4016	0.866	7/8	UCFL 310-30		
UCFL 310-31	1-15/16												UCFL 310-31		
UCFL 311	55	250	198	30	20	52	25	150	71	66	25	M22	UCFL 311	FL311	5.1
UCFL 311-32	2												UCFL 311-32		
UCFL 311-33	2-1/16												UCFL 311-33		
UCFL 311-34	2-1/8	9-27/32	7-51/64	1-3/16	2 ⁵ / ₃₂	2-1/16	6 ³ / ₆₄	5-29/32	2-51/64	2.5984	0.948	7/8	UCFL 311-34		
UCFL 311-35	2-3/16												UCFL 311-35		
UCFL 312	60	270	212	33	22	56	31	160	78	71	26	M27	UCFL 312	FL312	6.1
UCFL 312-36	2-1/4												UCFL 312-36		
UCFL 312-37	2-5/16	10-5/8	8-11/32	1-19/64	7/8	2-7/32	1-7/32	6-5/64	3-5/64	2.9753	1.024	1	UCFL 312-37		
UCFL 312-38	2-3/8												UCFL 312-38		
UCFL 312-39	2-7/16												UCFL 312-39		
UCFL 313	65	295	240	33	25	58	31	175	78	75	30	M27	UCFL 313	FL313	7.8
UCFL 313-40	2-1/2	11-5/8	9-29/64	1-19/64	3 ¹ / ₃₂	2-9/32	1-7/32	6-7/8	3-5/64	2.9528	1.181	1	UCFL 313-40		
UCFL 313-41	2-9/16												UCFL 313-41		
UCFL 314	70	315	250	36	28	61	35	185	81	78	33	M20	UCFL 314	FL314	9.0
UCFL 314-42	2-5/8												UCFL 314-42		
UCFL 314-43	2-11/16	12-13/32	9-27/32	1-27/64	1-3/32	2-1 ³ / ₃₂	1-3/8	7-9/32	3-3/16	3.0708	1.299	1-1/8	UCFL 314-43		
UCFL 314-44	2-3/4												UCFL 314-44		
UCFL 315	75	320	260	39	30	66	35	195	89	82	32	M30	UCFL 315	FL315	10
UCFL 315-45	2-13/16												UCFL 315-45		
UCFL 315-46	2-7/8	12-19/32	10-15/64	1-17/32	1-3/16	2-19/32	1-3/8	7-11/16	3-1/2	3.2283	1.260	1-1/8	UCFL 315-46		
UCFL 315-47	2-15/16												UCFL 315-47		
UCFL 315-48	3												UCFL 315-48		
UCFL 316	80	355	285	38	32	68	38	210	90	86	34	M33	UCFL 316	FL316	13
UCFL 316-49	3-1/16												UCFL 316-49		
UCFL 316-50	3-1/8	13-31/32	11-7/32	1-1/2	1-1/4	2-11/16	1-1/2	8-9/32	3-35/64	3.3858	1.339	1-1/4	UCFL 316-50		
UCFL 316-51	3-3/16												UCFL 316-51		
UCFL 317	85	370	300	44	32	74	38	220	100	96	40	M33	UCFL 317	FL317	15
UCFL 317-52	3-1/4												UCFL 317-52		
UCFL 317-53	3-5/16	14-9/16	11-13/14	1-47/64	1-1/4	2-29/32	1-1/2	8-21/32	3-15/16	3.7795	1.575	1-1/4	UCFL 317-53		
UCFL 317-55	3-7/16												UCFL 317-55		
UCFL 318	90	385	315	44	36	76	38	235	100	96	40	M33	UCFL 318	FL318	18
UCFL 318-55	3-7/16	15-5/32	12-13/32	1-47/64	1-13/32	3	1-1/2	9-1/4	3-15/16	3.7795	1.575	1-1/4	UCFL 318-55		
UCFL 318-56	3-1/2												UCFL 318-56		
UCFL 319	95	405	330	59	40	94	41	250	121	103	41	M36	UCFL 319	FL319	22
UCFL 319-58	3-9/8												UCFL 319-58		
UCFL 319-59	3-11/16	15-15/16	12-63/64	2-21/64	1-9/16	3-11/16	1-39/64	9-27/32	4-49/64	4.0551	1.614	1-3/8	UCFL 319-59		
UCFL 319-60	3-3/4												UCFL 319-60		

Take-up Units

NAT 2 (normal duty)
(With Eccentric
Locking Collar)



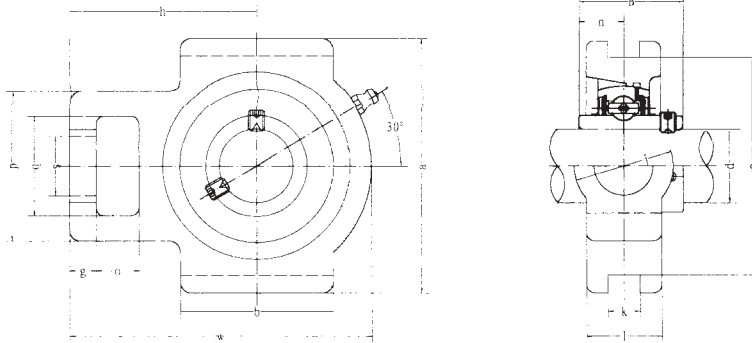
Unit No.	Dimensions ^{mm} / _{inch}																Bearing No.	Housing No.	Weight (kg)
	d	O	g	p	q	s	b	k	e	a	w	j	i	h	B ₁	n			
NAT 204	20	16	10	51	32	19	51	12	76	89	94	32	21	61	43.7	17.1	NA 204	T204	0.83
NAT 204-12	3/4	5/8	25/64	1-1/16	1-1/4	3/4	2-1/64	15/32	2-63/64	3-1/2	3-11/16	1-1/4	13/16	2-13/32	1.720	0.673	NA 204-12		0.83
NAT 205	25	16	10	51	32	19	51	12	76	89	97	32	24	62	44.4	17.5	NA 205	T205	0.88
NAT 205-13	13/16																NA 205-13		0.93
NAT 205-14	7/8	5/8	25/64	1-1/16	1-1/4	3/4	2-1/64	15/32	2-63/64	3-1/2	3-13/16	1-1/4	15/16	2-7/16	1.748	0.689	NA 205-14		0.92
NAT 205-15	15/16																NA 205-15		0.90
NAT 205-16	1																NA 205-16		0.88
NAT 206	30	16	10	56	37	22	57	12	89	102	113	37	28	70	48.4	18.3	NA 206	T206	1.35
NAT 206-17	1-1/16																NA 206-17		1.40
NAT 206-18	1-1/8	5/8	25/64	2-7/32	1-29/64	55/64	2-1/4	15/32	3-1/2	4-1/64	4-29/64	4-29/64	1-3/32	2-3/4	1.906	0.720	NA 206-18		1.37
NAT 206-19	1-3/16																NA 206-19		1.35
NAT 206-20	1-1/4																NA 206-20		1.32
NAT 207	35	16	13	64	37	22	64	12	89	102	129	37	30	78	51.1	18.8	NA 207	T207	1.56
NAT 207-20	1-1/4																NA 207-20		1.63
NAT 207-21	1-5/16	5/8	33/64	2-33/64	1-29/64	55/64	2-33/64	15/32	3-1/2	4-1/64	5-5/64	1-29/64	1-3/16	3-5/64	2.012	0.740	NA 204-21		1.59
NAT 207-22	1-3/8																NA 207-22		1.56
NAT 207-23	1-7/16																NA 207-23		1.53
NAT 208	40	19	16	83	49	29	83	16	102	114	144	49	33	89	56.3	21.4	NA 208	T208	2.55
NAT 208-24	1-1/2	3/4	5/8	3-17/64	1-15/16	1-9/64	3-17/64	5/8	4-1/64	4-31/64	4-43/64	1-15/16	1-5/16	3-1/2	2.217	0.843	NA 208-24		2.60
NAT 208-25	1-9/16																NA 208-25		2.56
NAT 209	45	19	16	83	49	29	83	16	102	117	144	49	35	87	56.3	21.4	NA 209	T209	2.53
NAT 209-26	1-5/8																NA 209-26		2.64
NAT 209-27	1-11/16	3/4	5/8	3-17/64	1-15/16	1-9/64	3-17/64	5/8	4-1/64	4-39/64	5-43/64	1-15/16	1-3/8	3-27/64	2.217	0.843	NA 209-27		2.59
NAT 209-28	1-3/4																NA 209-28		2.55
NAT 210	50	19	16	83	49	29	86	16	102	117	149	49	37	90	62.7	24.6	NA 210		T210
NAT 210-29	1-13/16																NA 210-29	2.77	
NAT 210-30	1-7/8	3/4	5/8	3-17/64	1-15/16	1-9/64	3-25/64	5/8	4-1/64	4-39/64	5-55/64	1-15/16	1-15/32	3-35/64	2.469	0.969	NA 210-30	2.71	
NAT 210-31	1-15/16																NA 210-31	2.65	
NAT 210-32	2																NA 210-32	2.59	
NAT 211	55	25	19	102	64	35	95	22	130	146	171	64	38	106	71.4	27.8	NA 211	T211	4.32
NAT 211-32	2																NA 211-32		4.52
NAT 211-33	2-1/16	63/64	3/4	4-1/64	2-1/32	1-3/8	3-3/4	55/64	5-1/8	5-3/4	6-47/64	2-33/64	1-1/2	4-11/64	2.811	1.094	NA 211-33		4.44
NAT 211-34	2-1/8																NA 211-34		4.37
NAT 211-35	2-3/16																NA 211-35		4.29
NAT 212	60	32	19	102	64	35	102	22	130	146	194	64	42	119	77.8	31	NA 212	T212	5.31
NAT 212-36	2-1/4																NA 212-36		5.47
NAT 212-37	2-5/16	1-17/64	3/4	4-1/64	2-1/32	1-3/8	4-1/64	55/64	5-1/8	5-3/4	7-41/64	2-33/64	1-21/32	4-11/16	3.063	1.220	NA 212-37		5.38
NAT 212-38	2-3/8																NA 212-38		5.33
NAT 212-39	2-7/16																NA 212-39		5.20
NAT 213	65	32	21	111	70	41	121	26	151	167	224	70	44	137	85.7	34.1	NA 213	T213	7.21
NAT 213-40	2-1/2	1-17/64	53/64	4-3/8	2-3/4	1-39/64	4-49/64	1-1/32	5-15/16	6-37/64	8-13/16	2-3/4	1-23/32	5-25/64	3.374	1.343	NA 213-40		7.31
NAT 213-41	2-9/16																NA 213-41		7.20
NAT 214	70	32	21	111	70	41	121	26	151	167	224	70	46	137	85.7	34.1	NA 214	T214	7.55
NAT 214-42	2-3/8																NA 214-42		7.79
NAT 214-43	2-11/16	1-17/64	53/64	4-3/8	2-3/4	1-39/64	4-49/64	1-1/32	5-15/16	6-37/64	8-13/16	2-3/4	1-13/16	5-25/64	3.374	1.343	NA 214-43		7.68
NAT 214-44	2-3/4																NA 214-44		7.56
NAT 215	75	32	21	111	70	41	121	26	151	167	232	70	48	140	92.1	37.3	NA 215	T215	8.04
NAT 215-45	2-13/16																NA 215-45		8.34
NAT 215-46	2-7/8	1-17/64	53/64	4-3/8	2-3/4	1-39/64	4-49/64	1-1/32	5-15/16	6-37/64	9-9/64	2-3/4	1-57/64	5-33/64	3.626	1.426	NA 215-46		8.21
NAT 215-47	2-15/16																NA 215-47		8.08
NAT 215-48	3																NA 215-48		7.94



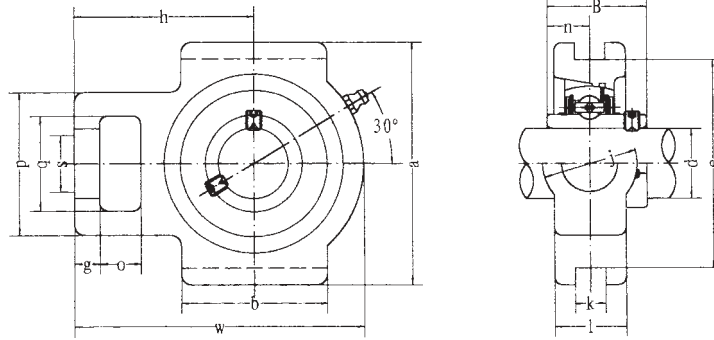
Unit No.	Dimensions ^{mm} / _{inch}															Bearing No.	Housing No.	No.	Weight (kg)
	d	o	g	p	q	s	b	k	e	a	w	j	l	h	B				
UKT 205	20 3/4	16 5/8	10 25/64	51 1-1/64	32 1-1/4	19 3/4	51 2-1/64	12 15/32	76 2-63/64	89 3-1/2	97 3-13/16	32 1-1/4	24 15/16	62 2-7/16	35 1.378	UK205	T205	H305 HE305	0.86
UKT 206	25 7/8 1	16 5/8	10 25/64	56 2-7/32	37 1-15/32	22 55/64	57 2-1/4	12 15/32	89 3-1/2	102 4-1/64	113 4-29/64	37 1-29/64	28 1-3/32	38 2-3/4	1.496	UK 206	T206	H306 HS306 HE306	1.26
UKT 207	30 1-1/8	16 5/8	13 33/64	64 2-33/64	37 1-15/32	22 55/64	64 2-33/64	12 15/32	89 3-1/2	102 4-1/64	129 5-5/64	37 1-29/64	30 1-3/16	78 3-5/64	43 1.693	UK 207	T207	H307 HS307	2.50
UKT 208	35 1-1/4 1-3/8	19 3/4	16 5/8	83 3-17/64	49 1-15/16	29 1-9/64	83 3-17/64	16 5/8	102 4-1/64	114 4-31/64	144 5-43/64	49 1-15/16	33 1-5/16	89 3-1/2	46 1.811	UK 208	T208	H308 HE308 HE308	2.50
UKT 209	40 1-7/16 1-1/2 1-5/8	19 3/4	16 5/8	83 3-17/64	49 1-15/16	29 1-9/64	83 3-17/64	16 5/8	102 4-1/64	117 4-39/64	144 5-43/64	49 1-15/16	35 1-3/8	87 3-27/64	50 1.969	UK 209	T209	H309 HA309 HE309 HS309	2.51
UKT 210	45 1-5/8 1-11/16 1-3/4	19 3/4	16 5/8	83 3-17/64	49 1-15/16	29 1-9/64	86 3-25/64	16 5/8	102 4-1/64	117 4-39/64	149 5-55/64	49 1-15/16	37 1-15/32	90 3-35/64	55 2.165	UK 210	T210	H310 HS310 HA310 HE310	2.60
UKT 211	50 1-7/8 1-15/16 2	25 63/64	19 3/4	102 4-1/64	64 2-1/32	35 1-3/8	95 3-3/4	22 55/64	130 5-1/8	146 5-3/4	171 6-47/64	64 2-33/64	38 1-1/2	106 4-11/64	59 2.323	UK 211	T211	H311 HS311 HA311 HE311	4.26
UKT 212	55 2-1/8	32 1-17/64	19 3/4	102 4-1/64	64 2-1/32	35 1-3/8	102 4-1/64	22 55/64	130 5-1/8	146 5-3/4	194 7-41/64	64 2-33/64	42 1-21/32	119 4-11/16	62 2.441	UK 212	T212	H312 HS312	5.02
UKT 213	60 2-3/16 2-1/4 2-3/8	32 1-17/64	21 53/64	111 4-3/8	70 2-3/4	41 1-39/64	121 4-49/64	26 1-1/32	151 5-15/16	167 6-37/64	224 8-13/16	70 2-3/4	44 1-23/32	137 5-25/64	65 2.559	UK 213	T213	H313 HA313 HE313 HS313	6.56
UKT 215	65 2-7/16 2-1/2	32 1-17/64	21 53/64	111 4-3/8	70 2-3/4	41 1-39/64	121 4-49/64	26 1-1/32	151 5-15/16	167 6-37/64	232 9-9/64	70 2-3/4	48 1-57/64	140 5-33/64	73 2.874	UK 215	T215	H315 HA315 HE315	7.52
UKT 216	70 2-11/16 2-3/4	32 1-17/64	21 53/64	11 4-3/8	70 2-3/4	41 1-39/64	121 4-49/64	26 1-1/32	165 6-1/2	184 7-1/4	235 9-1/4	70 2-3/4	51 2	140 5-33/64	78 3.071	UK 216	T216	H316 HA316 HE316	8.56
UKT 217	75 2-15/16 3	38 1-1/2	29 1-9/64	124 4-7/8	73 2-7/8	48 1-57/64	157 6-3/16	30 1-3/16	173 6-13/16	198 7-51/64	260 10-15/64	73 2-7/8	54 2-1/8	162 6-3/8	82 3.228	UK 217	T217	H317 HA317 HE317	11.38

Take-up Units

UCTX (medium-duty)

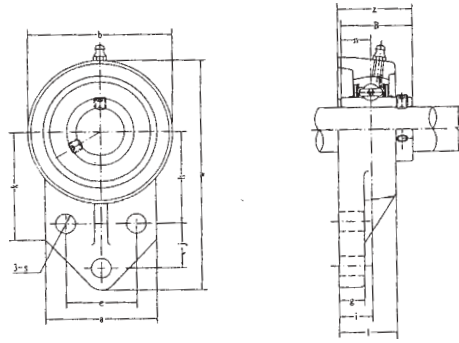


Unit No.	Dimensions ^{mm} / _{inch}																Bearing No.	Housing No.	Weight (kg)
	d	O	g	p	q	s	b	k	e	a	w	j	i	h	B ₁	n			
UCTX 05	25	16	12	56	37	22	57	12	89	102	113	28	37	70	38.1	15.9	UCTX 05	TX05	1.4
UCTX 05-13	13/16																UCTX 05-13		
UCTX 05-14	7/8	5/8	15/32	2-7/32	1-15/32	55/64	2-1/4	0.472	3-1/2	4-1/64	4-29/64	1-3/32	1-29/64	2-3/4	1.5000	0.626	UCTX 05-14		
UCTX 05-15	15/16																UCTX 05-15		
UCTX 05-16	1																UCTX 05-16		
UCTX 06	30	16	15	64	37	22	64	12	89	102	129	30	37	78	42.9	17.5	UCTX 06	TX06	1.8
UCTX 06-17	1-1/16																UCTX 06-17		
UCTX 06-18	1-1/8	5/8	19/32	2-33/64	1-29/64	55/64	2-33/64	0.472	3-1/2	4-1/64	5-5/64	1-3/16	1-29/64	3-5/64	1.6890	0.689	UCTX 06-18		
UCTX 06-19	1-3/16																UCTX 06-19		
UCTX 06-20	1-1/4																UCTX 06-20		
UCTX 07	35	19	17	83	49	29	83	16	102	114	144	36	49	88	49.2	19	UCTX 07	TX07	2.6
UCTX 07-21	1-5/16																UCTX 07-21		
UCTX 07-22	1-3/8	3/4	21/32	3-17/64	1-15/16	1-9/64	3-17/64	0.630	4-1/64	4-31/64	5-43/64	1-13/32	1-15/16	3-15/32	1.9370	0.748	UCTX 07-22		
UCTX 07-23	1-7/16																UCTX 07-23		
UCTX 08	40	19	17	83	49	29	83	16	102	117	144	36	49	87	49.2	19	UCTX 08	TX08	2.6
UCTX 08-24	1-1/2	3/4	21/32	3-17/64	1-15/16	1-9/64	3-17/64	0.630	4-1/64	4-39/64	5-43/64	1-13/32	1-15/16	3-27/64	1.9370	0.748	UCTX 08-24		
UCTX 08-25	1-9/16																UCTX 08-25		
UCTX 09	45	19	18	83	49	29	86	16	102	117	151	38	49	92	51.6	19	UCTX 09	TX09	2.8
UCTX 09-26	1-5/8																UCTX 09-26		
UCTX 09-27	1-11/16	3/4	23/32	3-17/64	1-15/16	1-9/64	3-25/64	0.630	4-1/64	4-39/64	5-15/16	1-1/2	1-15/16	3-5/8	2.0315	0.748	UCTX 09-27		
UCTX 09-28	1-3/4																UCTX 09-28		
UCTX 09-29	1-13/16																UCTX 09-29		
UCTX 10	50	25	21	102	64	35	95	22	130	146	171	42	64	106	55.6	22.2	UCTX 10	TX10	4.3
UCTX 10-30	1-7/8																UCTX 10-30		
UCTX 10-31	1-15/16	63/64	13/16	4-1/64	2-1/32	1-3/8	3-3/4	0.866	5-1/8	5-3/4	6-47/64	1-21/32	2-33/64	4-11/64	2.1890	0.874	UCTX 10-31		
UCTX 10-32	2																UCTX 10-32		
UCTX 11	55	32	21	102	64	35	102	22	130	146	194	44	64	119	65.1	25.4	UCTX 11	TX11	5.2
UCTX 11-33	2-1/16																UCTX 11-33		
UCTX 11-34	2-1/8																UCTX 11-34		
UCTX 11-35	2-3/16	1-17/64	13/16	4-1/64	2-1/32	1-3/8	4-1/64	0.866	5-1/8	5-3/4	7-41/64	1-23/32	2-33/64	4-11/16	2.5630	1.000	UCTX 11-35		
UCTX 11-36	2-1/4																UCTX 11-36		
UCTX 11-37	2-5/16																UCTX 11-37		
UCTX 12	60	32	23	111	70	41	121	26	151	167	224	48	70	137	65.1	25.4	UCTX 12	TX12	7.6
UCTX 12-38	2-3/8	1-17/64	29/32	4-3/8	2-3/4	1-39/64	4-49/64	1.024	5-15/16	6-37/64	8-13/16	1-57/64	2-3/4	5-25/64	2.5630	1.000	UCTX 12-38		
UCTX 12-39	2-7/16																UCTX 12-39		
UCTX 13	65	32	23	111	70	41	121	26	151	167	224	48	70	137	74.6	30.2	UCTX 13	TX13	7.6
UCTX 13-40	2-1/2	1-17/64	29/32	4-3/8	2-3/4	1-39/64	4-49/64	1.024	5-15/16	6-37/64	8-13/16	1-57/64	2-3/4	5-25/64	2.9370	1.189	UCTX 13-40		
UCTX 13-41	2-9/16																UCTX 13-41		
UCTX 14	70	32	23	111	70	41	121	26	151	167	232	48	70	140	77.8	33.3	UCTX 14	TX14	7.7
UCTX 14-42	2-5/8																UCTX 14-42		
UCTX 14-43	2-11/16	1-17/64	29/32	4-3/8	2-3/4	1-39/64	4-49/64	1.024	5-15/16	6-37/64	9-9/64	1-57/64	2-3/4	5-33/64	3.0630	1.311	UCTX 14-43		
UCTX 14-44	2-3/4																UCTX 14-44		
UCTX 15	75	32	23	111	70	41	121	28	165	184	235	48	70	140	82.6	33.3	UCTX 15	TX15	7.55
UCTX 15-45	2-13/16																UCTX 15-45		
UCTX 15-46	2-7/8	1-17/64	29/32	4-3/8	2-3/4	1-39/64	4-49/64	1.102	6-1/2	7-1/4	9-1/4	1-57/64	2-3/4	5-33/64	3.2520	1.311	UCTX 15-46		
UCTX 15-47	2-15/16																UCTX 15-47		
UCTX 15-48	3																UCTX 15-48		
UCTX 16	80	38	30	124	73	48	157	28	173	198	260	54	73	162	85.7	34.1	UCTX 16	TX16	11
UCTX 16-49	3-1/16																UCTX 16-49		
UCTX 16-50	3-1/8	1-1/2	1-3/16	4-7/8	2-7/8	1-57/64	6-3/16	1.102	6-13/16	7-51/64	10-15/64	2-1/8	2-7/8	6-3/8	3.3740	1.343	UCTX 16-50		
UCTX 16-51	3-1/16																UCTX 16-51		
UCTX 16-52	3-1/4																UCTX 16-52		
UCTX 17	85	38	30	124	73	48	157	28	173	198	560	54	73	162	96	39.7	UCTX 17	TX17	12
UCTX 17-53	3-5/16	1-1/2	1-3/16	4-7/8	2-7/8	1-57/64	6-3/16	1.102	6-13/16	7-51/64	10-15/64	2-1/8	2-7/8	6-3/8	3.7795	1.5630	UCTX 17-53		
UCTX 17-55	3-7/16																UCTX 17-55		



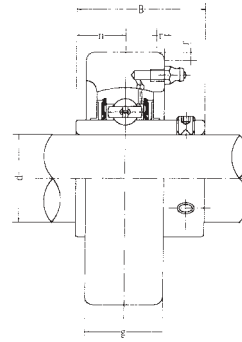
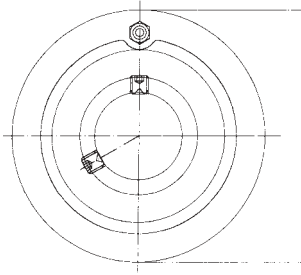
Unit No.	Dimensions mm inch																Bearing No.	Housing No.	Weight (kg)
	d	O	g	p	q	s	b	k	e	a	w	j	i	h	B ₁	n			
UCT 305 UCT 305-13 UCT 305-14 UCT 305-15 UCT 305-16	25 ¹⁹ / ₁₆ 7/8 ¹⁵ / ₁₆ 1	16 ⁵ / ₈	14 ⁹ / ₁₆	62 2-7/16	36 1-13/32	26 1-1/32	65 2-9/16	12 0.472	80 3-5/32	89 3-1/2	122 4-13/16	36 1-13/32	26 1-1/32	76 3	38 1.4961	15 0.591	UC 305 UC 305-13 UC 305-14 UC 205-15 UC 305-16	T305	1.4
UCT 306 UCT 306-17 UCT 306-18 UCT 306-19	30 1-1/16 1-1/8 1-3/16	18 ²³ / ₃₂	16 ⁵ / ₈	70 2-3/4	41 1-5/8	28 1-3/32	74 2-29/32	16 0.630	90 3-55/64	100 3-15/16	137 5-13/32	41 1-5/8	28 1-3/32	85 3-11/32	43 1.6929	17 0.669	UC 306 UC 306-17 UC 306-18 UC 306-19	T306	1.8
UCT 307 UCT 307-20 UCT 307-21 UCT 307-22 UCT 307-23	35 1-1/4 1-5/16 1-3/8 1-7/16	20 ²⁵ / ₃₂	17 ⁴³ / ₆₄	75 2-15/16	45 1-25/32	30 1-3/16	80 2-5/32	16 0.630	100 3-15/16	111 4-3/8	150 5-29/32	45 1-25/32	32 1-1/4	94 3-11/16	48 1.8898	19 0.748	UC 307 UC 307-20 UC 307-21 UC 307-22 UC 307-23	T307	2.4
UCT 308 UCT 308-24 UCT 308-25	40 1-1/2 1-9/16	22 7/8	19 ³ / ₄	83 3-17/64	50 1-31/32	32 1-1/4	89 3-1/2	18 0.709	112 4-13/32	124 4-7/8	162 6-3/8	50 1-21/32	34 1-11/32	100 3-15/16	52 2.0472	19 0.748	UC 308 UC 308-24 UC 308-25	T308	3.0
UCT 309 UCT 309-26 UCT 309-27 UCT 309-28	45 1-5/8 1-11/16 1-3/4	24 ¹⁵ / ₁₆	20 ²⁵ / ₃₂	90 3-17/32	55 2-5/32	34 1-11/32	97 3-13/16	18 0.709	125 4-59/64	138 5-7/16	178 7	55 2-5/32	38 1-1/2	100 4-11/32	57 2.2441	22 0.866	UC 309 UC 309-26 UC 309-27 UC 309-28	T309	5.0
UCT 310 UCT 310-29 UCT 310-30 UCT 310-31	50 1-13/16 1-7/8 1-15/16	27 1-1/16	22 7/8	98 3-27/32	61 2-13/32	37 1-15/32	106 4-3/16	20 0.787	140 5-33/64	151 5-15/16	192 7-9/16	61 2-13/32	40 1-9/16	118 4-21/32	61 2.4016	22 0.866	UC 310 UC 310-29 UC 310-30 UC 310-31	T310	5.0
UCT 311 UCT 311-32 UCT 311-33 UCT 311-34 UCT 311-35	55 2 2-1/16 2-1/8 2-3/16	29 1-15/16	23 ²⁹ / ₃₂	105 4-1/8	66 2-19/32	39 1-17/32	115 4-17/32	22 0.866	150 5-29/32	163 6-13/32	207 8-5/32	66 2-19/32	44 1-23/32	127 5	66 2.5984	25 0.984	UC 311 UC 311-32 UC 311-33 UC 311-34 UC 311-35	T311	6.4
UCT 312 UCT 312-36 UCT 312-37 UCT 312-38 UCT 312-39	60 2-1/4 2-5/16 2-3/8 2-7/16	31 1-7/32	25 ³¹ / ₃₂	113 4-7/16	71 2-25/32	41 1-5/8	123 4-27/32	22 0.866	160 6-19/64	178 7	220 8-21/32	71 2-25/32	46 1-13/16	135 5-5/16	71 2.7953	26 1.024	UC 312 UC 312-36 UC 312-37 UC 312-38 UC 312-39	312	7.6
UCT 313 UCT 313-40 UCT 313-41	65 2-1/2 2-9/16	32 1-17/64	27 1-1/16	116 4-9/16	70 2-3/4	43 1-11/16	134 5-9/32	26 1.024	170 6-11/16	190 7-15/32	238 9-3/8	80 3-5/32	50 1-31/32	146 5-3/4	75 2.9528	30 1.181	UC 313 UC 313-40 UC 313-41	T313	9.7
UCT 314 UCT 314-42 UCT 314-43 UCT 314-44	70 2-5/8 2-11/16 2-3/4	36 1-13/32	27 1-1/16	130 5-1/8	85 3-11/32	46 1-13/16	140 5-1/2	26 1.024	180 7-3/32	202 7-15/16	252 9-29/32	90 3-17/32	52 2-1/16	155 6-3/32	78 3.2283	33 1.299	UC 314 UC 314-42 UC 314-43 UC 315-44	T314	11
UCT 315 UCT 315-45 UCT 315-46 UCT 315-47 UCT 315-48	75 2-13/16 2-7/8 2-15/16 3	36 1-13/32	27 1-1/16	132 5-3/16	85 3-11/32	46 1-13/16	150 5-29/32	26 1.024	192 7-9/16	216 8-1/2	262 10-5/16	90 3-17/32	55 2-5/32	160 6-5/16	82 3.2283	32 1.260	UC 315 UC 315-45 UC 315-46 UC 315-47 UC 315-48	T315	14
UCT 316 UCT 316-49 UCT 316-50 UCT 316-51	80 3-1/16 3-1/8 3-3/16	42 1-21/32	30 1-3/16	150 5-29/32	98 3-27/32	53 2-3/32	160 6-5/16	30 1.181	204 8-1/32	230 9-1/16	282 11-3/32	102 4-1/32	60 2-3/8	174 6-27/32	86 3.2283	34 1.260	UC 316 UC 316-49 UC 316-50 UC 316-51	T316	16
UCT 317 UCT 317-52 UCT 317-53 UCT 317-55	85 3-1/4 3-5/16 3-7/16	42 1-21/32	32 1-1/4	152 5-31/32	98 3-27/32	53 2-3/32	170 6-11/16	32 1.260	214 8-27/64	240 9-7/16	298 11-23/32	102 4-1/32	64 2-17/32	183 7-7/32	96 3.7795	40 1.575	UC 317 UC 317-52 UC 317-53 UC 317-55	T317	20
UCT 318 UCT 318-55 UCT 318-56	90 3-7/16 3-1/2	46 1-13/16	32 1-1/4	160 6-5/16	106 4-3/16	57 2-1/4	175 6-7/8	32 1.260	228 8-31/32	255 10-1/32	312 12-9/32	110 4-11/32	66 2-19/32	192 7-9/16	96 3.7795	40 1.575	UC 318 UC 318-55 UC 318-56	T318	22
UCT 319 UCT 319-58 UCT 319-59 UCT 319-60	95 3-5/8 3-11/16 3-3/4	46 1-13/16	33 1-5/16	165 6-1/2	106 4-3/16	57 2-1/4	180 7-3/32	35 1.378	240 9-26/64	270 10-5/8	322 12-11/16	110 4-11/32	72 2-27/32	197 7-3/4	103 4.0551	41 1.614	UC 319 UC 319-58 UC 319-59 UC 319-60	T319	24

UCFB2 (normal duty)



www.exvalos.cz

Unit No.	Dimensions ^{mm} / _{inch}															Bolt Size ^{mm} / _{inch}	Bearing No.	Housing No.	Weight (kg)	
	d	w	b	k	a	l	S	g	h	j	e	i	z	B	n					
UCFB 201	12	110	62	52	52	25.5	10	13	42	27	32	15	33.3	31	12.7	M8	UC 201	FB204	0.58	
UCFB 201-8	3/4																UC 201-8		0.57	
UCFB 202	15																UC 202		0.57	
UCFB 202-9	9/16																UC 202-9		0.57	
UCFB 202-10	5/8	4-11/32	2-7/16	2-1/16	2-1/16	1	25/64	1/2	1-21/32	1-1/16	1-17/64	19/32	1-5/16	1.2205	0.500	5/16	UC 202-10		0.57	
UCFB 203	17																UC 203		0.56	
UCFB 203-11	11/16																UC 203-11		0.55	
UCFB 204	20																UC 204		0.54	
UCFB 204-12	3/4																UC 204-12		0.54	
UCFB 205	25	116	68	52	56	27	10	13	45	27	34	16	35.8	34.1	14.3	M8	UC 205		FB205	0.79
UCFB 205-13	13/16																UC 205-13			0.83
UCFB 205-14	7/8	4-9/16	2-11/16	2-1/16	2-7/32	1-1/16	25/64	1/2	1-49/64	1-1/16	1-11/32	5/8	1-13/32	1.3425	0.563	5/16	UC 205-14			0.82
UCFB 205-15	15/16																UC 205-15	0.80		
UCFB 205-16	1																UC 205-16	0.79		
UCFB 206	30	130	78	55	65	31	10	13	50	29	40	18	40.2	38.1	15.9	M8	UC 206	FB206	0.95	
UCFB 206-17	1-1/16																UC 206-17		0.98	
UCFB 206-18	1-1/8	5-1/8	3-1/16	2-5/32	2-9/16	1-7/32	25/64	1/2	1-31/32	1-9/64	1-37/64	45/64	1-19/32	1.5000	0.626	5/16	UC 206-18		0.97	
UCFB 206-19	1-3/16																UC 206-19		0.95	
UCFB 206-20	1-1/4																UC 206-20		0.94	
UCFB 207	35	144	90	62	70	34	10	15	55	32	46	19	44.4	42.9	17.5	M8	UC 207	FB207	1.29	
UCFB 207-20	1-1/4																UC 207-20		1.35	
UCFB 207-21	1-5/16	5-21/32	3-35/64	2-7/16	2-3/4	1-11/32	25/64	19/32	2-11/64	1-17/64	1-13/16	3/4	1-3/4	1.6890	0.689	5/16	UC 207-21		1.32	
UCFB 207-22	1-3/8																UC 207-22		0.29	
UCFB 207-23	1-7/16																UC 207-23		1.26	
UCFB 208	40	164	100	72	78	36	12	16	60	41	50	21	51.2	49.2	19	M10	UC 208	FB208	1.78	
UCFB 208-24	1-1/2	6-15/32	3-15/16	2-27/32	3-1/16	1-13/32	15/32	5/8	2-23/64	1-39/64	1-31/32	53/64	2-1/64	1.9370	0.748	3/8	UC 208-24		1.82	
UCFB 208-25	1-9/16																UC 208-25		1.79	
UCFB 209	45	174	106	76	80	38	12	18	65	43	54	22	52.2	49.2	19	M10	UC 209	FB209	1.91	
UCFB 209-26	1-5/8																UC 209-26		2.01	
UCFB 209-27	1-11/16	6-27/32	4-3/16	3	3-5/32	1-1/2	15/32	23/32	2-9/16	1-11/16	2-1/8	55/64	2-1/16	1.9370	0.748	3/8	UC 209-27		1.97	
UCFB 209-28	1-3/4																UC 209-28		1.93	
UCFB 210	50	184	112	82	86	40	12	18	68	46	58	22	54.6	51.6	19	M10	UC 210	FB210	2.36	
UCFB 210-29	1-13/16																UC 210-29		2.48	
UCFB 210-30	1-7/8	7-1/4	4-13/32	3-7/32	3-3/8	1-37/64	15/32	23/32	2-43/64	1-13/16	2-9/32	55/64	2-5/32	2.0315	0.748	3/8	UC 210-30		2.43	
UCFB 210-31	1-15/16																UC 210-31		2.38	
UCFB 210-32	2																UC 210-32	2.34		
UCFB 211	55	207	130	86	90	43	14	18	78	50	62	25	58.4	55.6	22.2	M12	UC 211	FB211	3.15	
UCFB 211-32	2																UC 211-32		3.31	
UCFB 211-33	2-1/16																UC 211-33		3.25	
UCFB 211-34	2-1/8	8-5/32	5-1/8	3-25/64	3-25/64	1-11/16	35/64	45/64	3-5/64	1-31/32	2-7/16	63/64	2-5/16	2.1890	0.874	7/16	UC 211-34		3.20	
UCFB 211-35	2-3/16																UC 211-35		3.14	
UCFB 212	60	223	140	90	94	48	14	18	84	55	66	29	68.7	65.1	25.4	M12	UC 212	FB212	3.99	
UCFB 212-36	2-1/4																UC 212-36		4.12	
UCFB 212-37	2-5/16	8-25/32	5-1/2	3-35/64	3-45/64	1-7/8	35/64	45/64	3-5/16	2-11/64	2-19/32	1-9/64	2-23/32	2.5630	1.000	7/16	UC 212-37		4.04	
UCFB 212-38	2-3/8																UC 212-38		3.97	
UCFB 212-39	2-7/16																UC 212-39		3.90	
UCFB 213	65	244	155	94	100	50	14	20	92	60	70	30	69.7	65.1	25.4	M12	UC 213	FB213	5.15	
UCFB 213-40	2-1/2	9-39/64	6-7/64	3-45/64	3-15/16	1-31/32	35/64	25/32	3-5/8	2-23/64	2-3/4	1-3/16	2-3/4	2.5630	1.000	7/16	UC 213-40		5.32	
UCFB 214-41	2-9/16																UC 213-41		5.02	

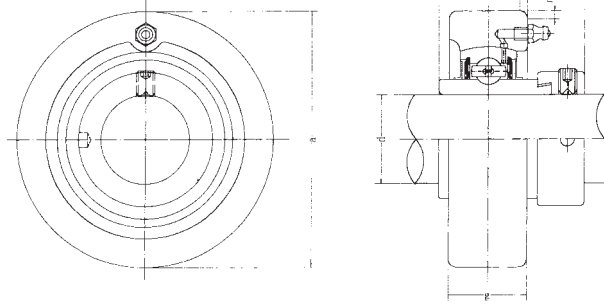


Unit No.	Dimensions ^{mm} / _{inch}						Bearing No.	Housing No.	Weight (kg)
	d	a	g	r	B	n			
UCC 201	12	72	20	2	31	12.7	UC 201	C204	0.52
UCC 201-8	3/4	2.8346	25/32	0.079	1.2205	0.500	UC 201-8		0.51
UCC 202	15	72	20	2	31	12.7	UC 202	C204	0.51
UCC 202-9	9/16	2.8346	25/32	0.079	1.2205	0.500	UC 202-9		0.51
UCC 202-10	5/8						UC 202-10		0.51
UCC 203	17	72	20	2	31	12.7	UC 203	C204	0.50
UCC 203-11	11/16	2.8346	25/32	0.079	1.2205	0.500	UC 203-11		0.49
UCC 204	20	72	20	2	31	12.7	UC 204	C204	0.48
UCC 204-12	3/4	2.8346	25/32	0.079	1.2205	0.500	UC 204-12		0.48
UCC 205	25	80	22	2	34.1	14.3	UC 205	C205	0.63
UCC 205-13	13/16						UC 205-13		0.67
UCC 205-14	7/8	3.1496	55/64	0.079	1.3425	0.563	UC 205-14		0.66
UCC 205-15	15/16						UC 205-15		0.64
UCC 205-16	1						UC 205-16		0.63
UCC 206	30	85	27	2	38.1	15.9	UC 206	C206	0.80
UCC 206-17	1-1/16						UC 206-17		0.83
UCC 206-18	1-1/8	3.3465	1-1/16	0.079	1.5000	0.626	UC 206-18		0.82
UCC 206-19	1-3/16						UC 206-19		0.80
UCC 206-20	1-1/4						UC 206-20		0.79
UCC 207	35	90	28	2	42.9	17.5	UC 207	C207	0.93
UCC 207-20	1-1/4						UC 207-20		0.99
UCC 207-21	1-5/16	3.5433	1-7/64	0.079	1.6890	0.689	UC 207-21		0.96
UCC 207-22	1-3/8						UC 207-22		0.93
UCC 207-23	1-7/16						UC 207-23		0.90
UCC 208	40	100	30	2.5	49.2	19	UC 208	C208	1.22
UCC 208-24	1-1/2	3.9370	1-3/16	0.098	1.9370	0.748	UC 208-24		1.26
UCC 208-25	1-9/16						UC 208-25		1.23
UCC 209	45	110	31	2.5	49.2	19	UC 209	C209	1.49
UCC 209-26	1-5/8						UC 209-26		1.59
UCC 209-27	1-11/16	4.3307	1-7/32	0.098	1.9370	0.748	UC 209-27		1.55
UCC 209-28	1-3/4						UC 209-28		1.51
UCC 210	50	120	33	2.5	51.6	19	UC 210	C210	1.90
UCC 210-29	1-13/16						UC 210-29		2.02
UCC 210-30	1-7/8	4.7244	1-19/64	0.098	2.0315	0.748	UC 210-30		1.97
UCC 210-31	1-15/16						UC 210-31		1.92
UCC 210-32	2						UC 210-32		1.88
UCC 211	55	125	35	2.5	55.6	22.2	UC 211	C211	2.18
UCC 211-32	2						UC 211-32		2.33
UCC 211-33	2-1/16	4.9213	1-3/8	0.098	2.1890	0.874	UC 211-33		2.27
UCC 211-34	2-1/8						UC 211-34		2.22
UCC 211-35	2-3/16						UC 211-35		2.16
UCC 212	60	130	38	2.5	65.1	25.4	UC 212	C212	2.52
UCC 212-36	2						UC 212-36		2.65
UCC 212-37	2-1/16	5.1181	1-1/2	0.098	2.5630	1.000	UC 212-37		2.57
UCC 212-38	2-1/8						UC 212-38		2.50
UCC 212-39	2-3/16						UC 212-39		2.43
UCC 213	65	140	40	3	65.1	25.4	UC 213	C213	2.98
UCC 213-40	2-1/2	5.5118	1-37/64	0.118	2.5630	1.000	UC 213-40		3.07
UCC 213-41	2-9/16						UC 213-41		2.98

For Stainless Steel Bearings Add "SS" in front of the bearing number. (Eg. SS UC 201)

Cartridge Units

NAC 2 (normal-duty)
(with Eccentric Locking Collar)



Unit No.	Dimensions ^{mm} / _{inch}						Bearing No.	Housing No.	Weight (kg)
	d	a	g	r	B	n			
NAC 204	20	72	20	2	43.7	17.1	NA 204	C204	0.55
NAC 204-12	3/4	2.8346	25/32	0.079	1.720	0.673	NA 204-12		0.55
NAC 205	25	80	22	2	44.4	17.5	NA 205	C205	0.70
NAC 205-13	13/16						NA 205-13		0.75
NAC 205-14	7/8	3.1496	55/64	0.079	1.748	0.689	NA 205-14		0.74
NAC 205-15	15/16						NA 205-15		0.72
NAC 205-16	1						NA 205-16		0.70
NAC 206	30	85	27	2	48.4	18.3	NA 206		C206
NAC 206-17	1-1/16						NA 206-17	0.98	
NAC 206-18	1-1/8	3.3465	1-1/16	0.079	1.906	0.720	NA 206-18	0.95	
NAC 206-19	1-3/16						NA 206-19	0.93	
NAC 206-20	1-1/4						NA 206-20	0.90	
NAC 207	35	90	28	2	51.1	18.8	NA 207	C207	
NAC 207-20	1-1/4						NA 207-20		1.12
NAC 207-21	1-5/16	3.5433	1-7/64	0.079	2.012	0.740	NA 207-21		1.08
NAC 207-22	1-3/8						NA 207-22		1.05
NAC 207-23	1-7/16						NA 207-23		1.02
NAC 208	40	100	30	2.5	56.3	21.4	NA 208		C208
NAC 208-24	1-1/2	3.9370	1-3/16	0.098	2.217	0.843	NA 208-24	1.42	
NAC 208-25	1-9/16						NA 208-25	1.38	
NAC 209	45	110	31	2.5	56.3	21.4	NA 209	C209	
NAC 209-26	1-5/8						NA 209-26		1.77
NAC 209-27	1-11/16	4.3307	1-7/32	0.098	2.217	0.843	NA 209-27		1.72
NAC 209-28	1-3/4						NA 209-28		1.68
NAC 210	50	120	33	2.5	62.7	24.6	NA 210		C210
NAC 210-29	1-13/16						NA 210-29	2.24	
NAC 210-30	1-7/8	4.7244	1-19/64	0.098	2.469	0.969	NA 210-30	2.18	
NAC 210-31	1-15/16						NA 210-31	2.12	
NAC 210-32	2						NA 210-32	2.06	
NAC 211	55	125	35	2.5	71.4	27.8	NA 211	C211	2.39
NAC 211-32	2						NA 211-32		2.59
NAC 211-33	2-1/16	4.9213	1-3/8	0.098	2.811	1.094	NA 211-33		2.51
NAC 211-34	2-1/8						NA 211-34		2.44
NAC 211-35	2-3/16						NA 211-35		2.36
NAC 212	60	130	38	2.5	77.8	31	NA 212		C212
NAC 212-36	2-1/4						NA 212-36	3.02	
NAC 212-37	2-5/16	5.1181	1-1/2	0.098	3.063	1.220	NA 212-37	2.93	
NAC 212-38	2-3/8						NA 212-38	2.88	
NAC 212-39	2-7/16						NA 212-39	2.75	