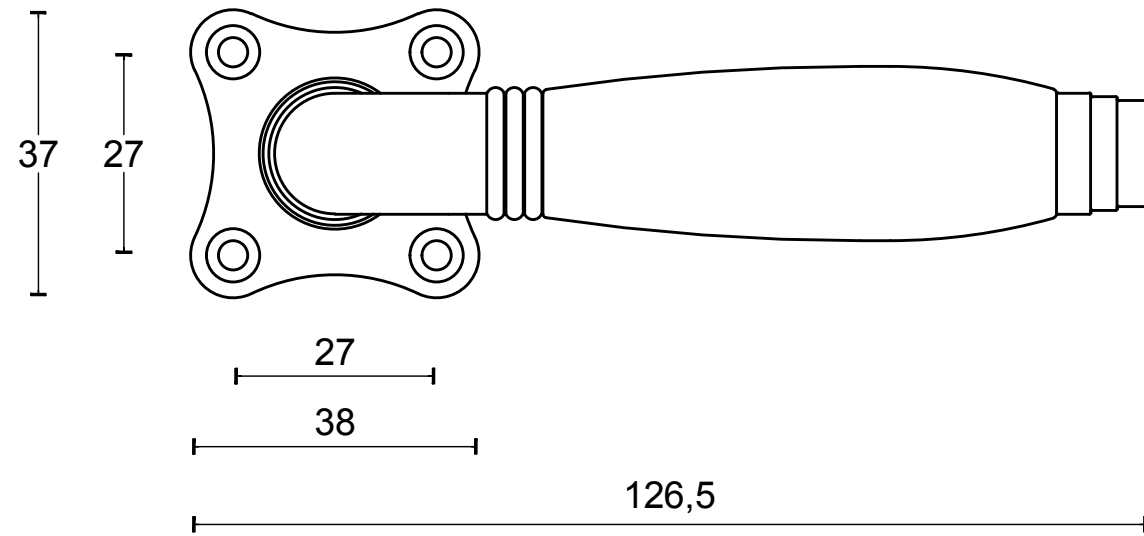
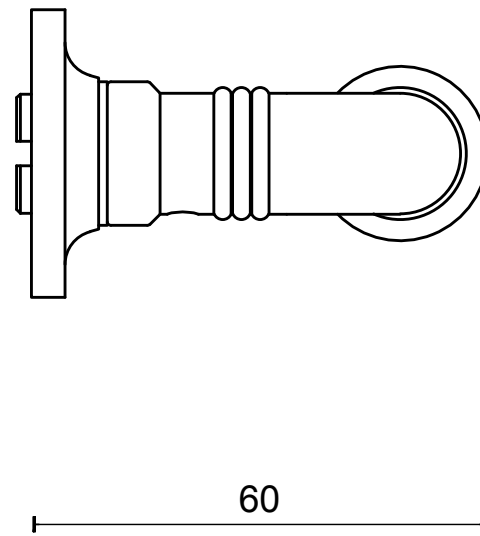
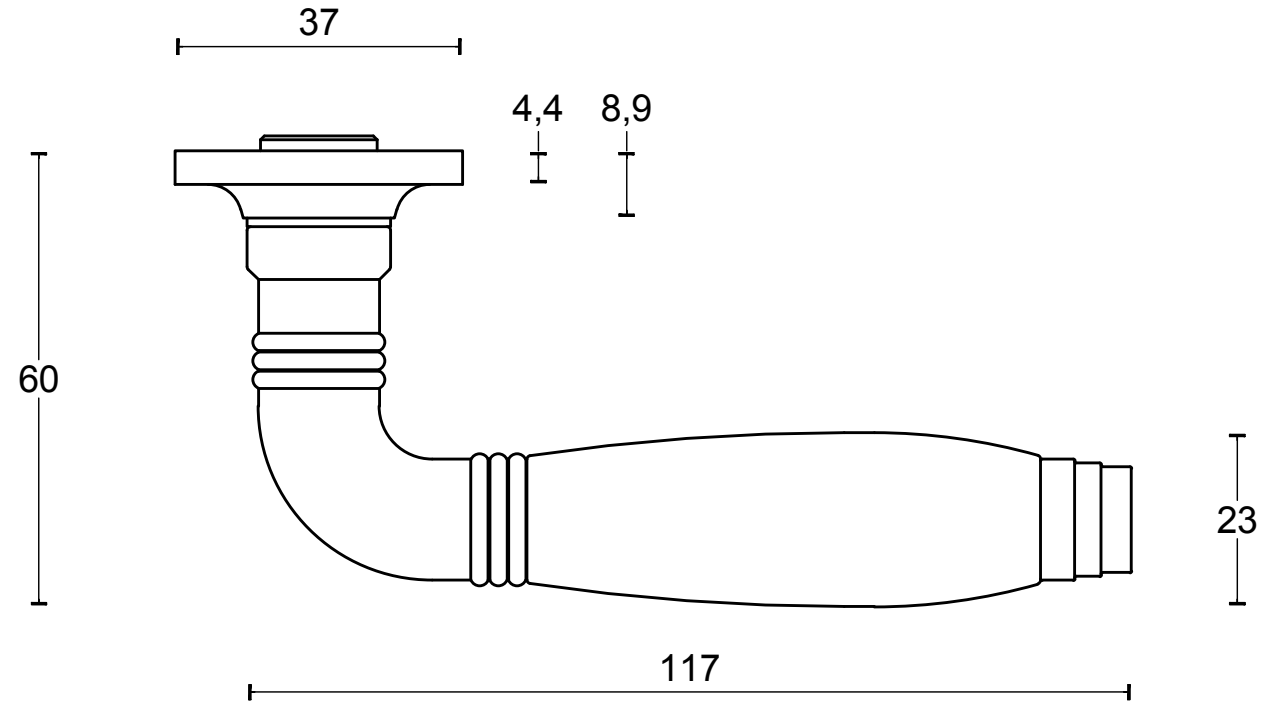
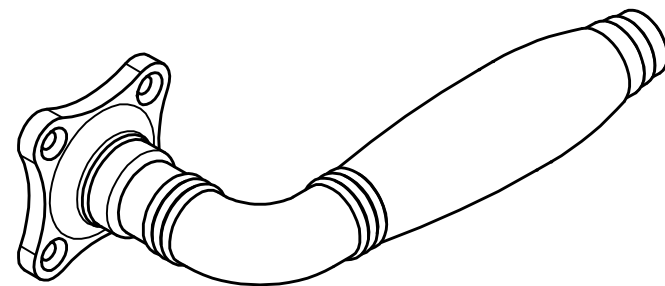
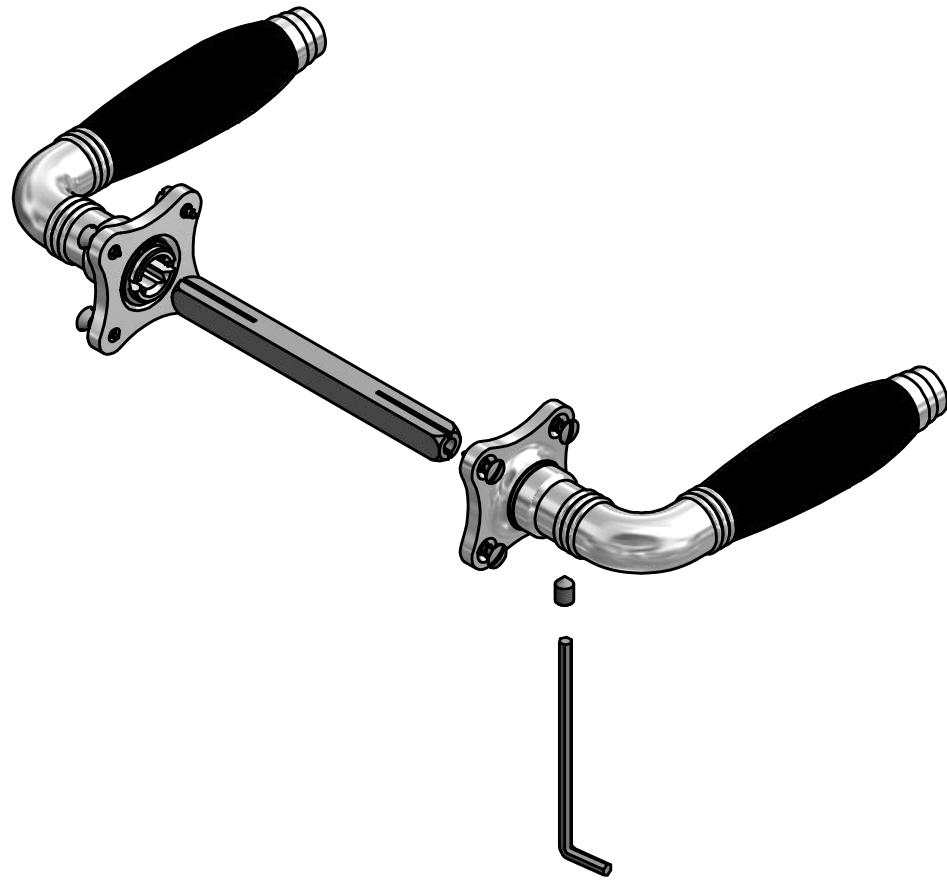


# 1934MRK37

solid unsprung lever handle  
on rose



<b>FORMANI®</b>		Part number:	
Doc no.: 2001D007 1934MRK37 V03.dwg		<b>1934MRK37</b>	Format:
Drawn by: Christian Brimbois	Creation date: 17-12-2014		<b>A3</b>
FORMANI HOLLAND B.V. EUROPALAAN 12 6199 AB MAASTRICHT-AIRPORT NL T +31 (0)43 308 90 00 INFO@FORMANI.COM FORMANI.COM			