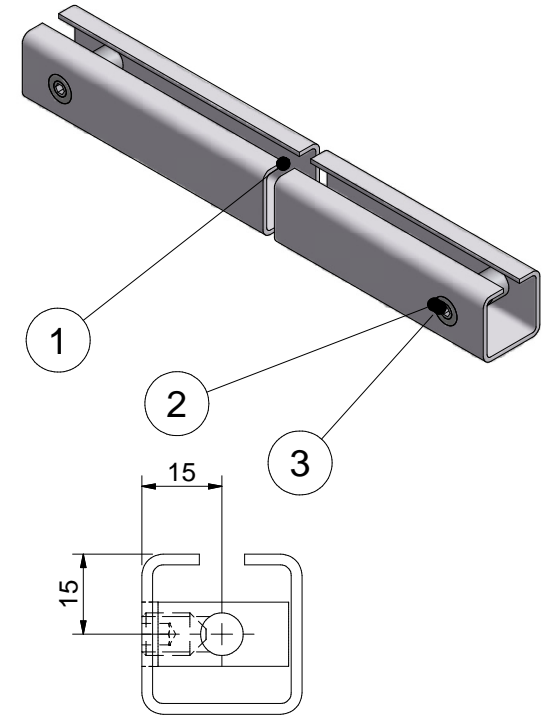
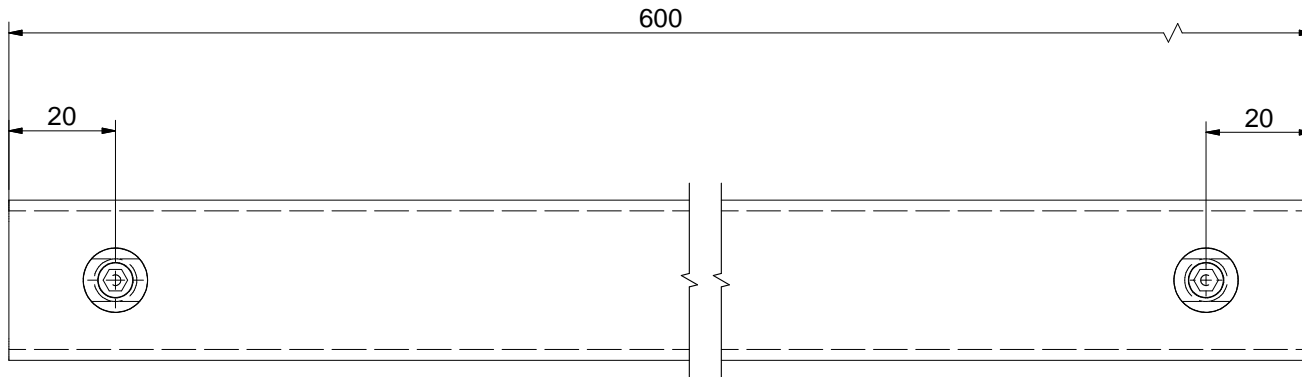


REVISION HISTORY				
ZONE	REV	DESCRIPTI	DATE	APPROVED
	1	prop verplaatst	18-01-2008	tekenaar



3	2	Stelschroef met binnenzekant M8x12 en kegelpunt SMIT	07800.080.012	Steel, Mild	
2	2	Prop RVS	605194	RVS 303 NR 1.4305	00
1	1	verlenging Strebenprofiel 30x30 1N L=600	605164_001	Alu AW-6060	00
ITM	QT	DESCRIPTION	PART NR	MATERIAL	REV NR
		Threatment	Units	MM	
		Aftertreatment	Not on scale bases	25	
		Layer thickness	Reference	(25)	
Description: Verl. strebenprofiel 30x30 1N L=600			Scale	1:1	
Project: Universele scharniermaal raam/deur			Projection	1st angle	
			Roughness	√ 3.2	
			Unspecified tolerances	According NEN-ISO 1101	
			Dim ± 0,5	Angle ± 0,5°	
			Engineer: TM	Checked by:	
			Date: 18-12-2007	Date:	
			Revision	00	Project number:
			Sheetsize	A3	Drawing number
					605165

THIS DRAWING REMAINS PROPERTY OF HMB PROFIT TOOLS AND MAY NOT BE COPIED WITHOUT OUR WRITTEN CONSENT.