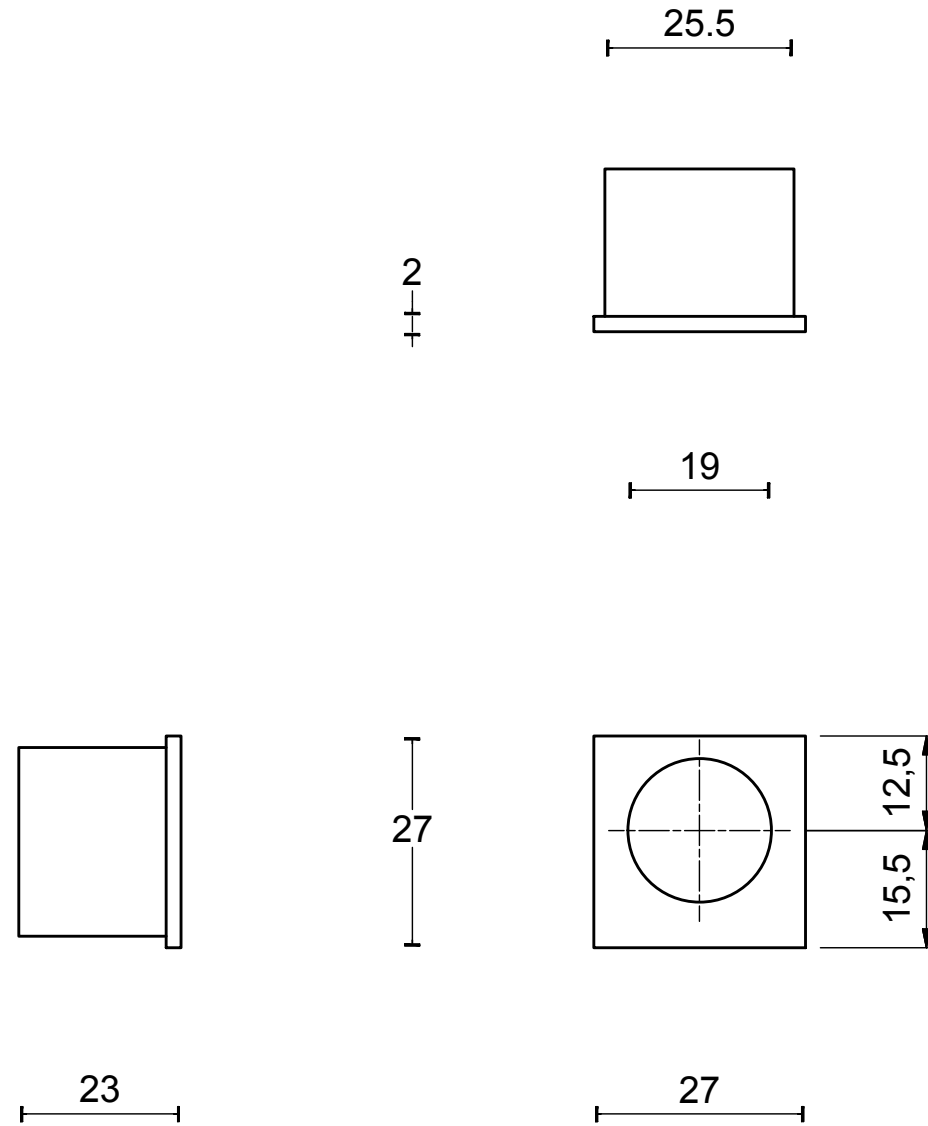
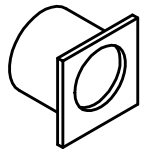
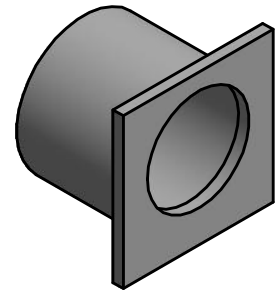


LSQ27

fingertip edge fitting
for glue fitting
stainless steel



FORMANI®		Part number:	
		Description:	
Doc no.:	2501Z077 LSQ27 V02.dwg	LSQ27	Format:
Drawn by:	Christian Brimbois		Creation date:
FORMANI HOLLAND B.V. EUROPALAAN 12 6199 AB MAASTRICHT-AIRPORT NL T +31 (0)43 308 90 00 INFO@FORMANI.COM FORMANI.COM			

A3