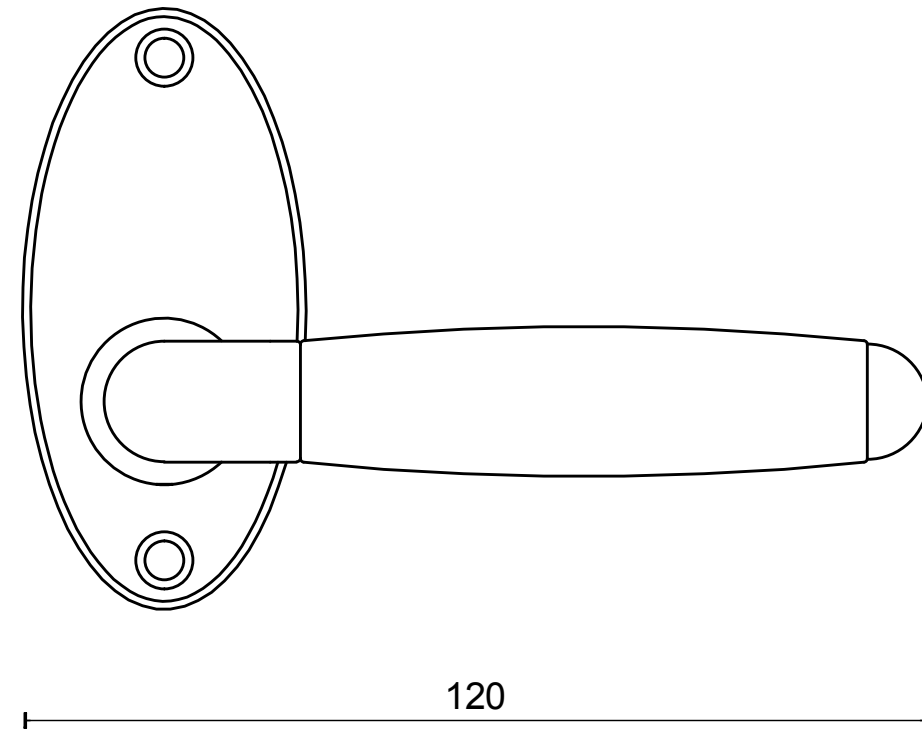
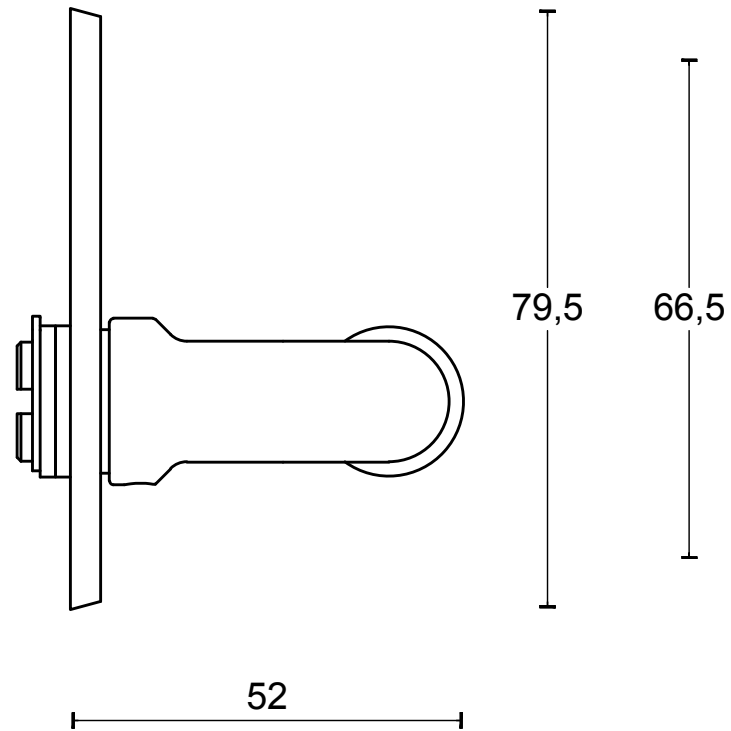
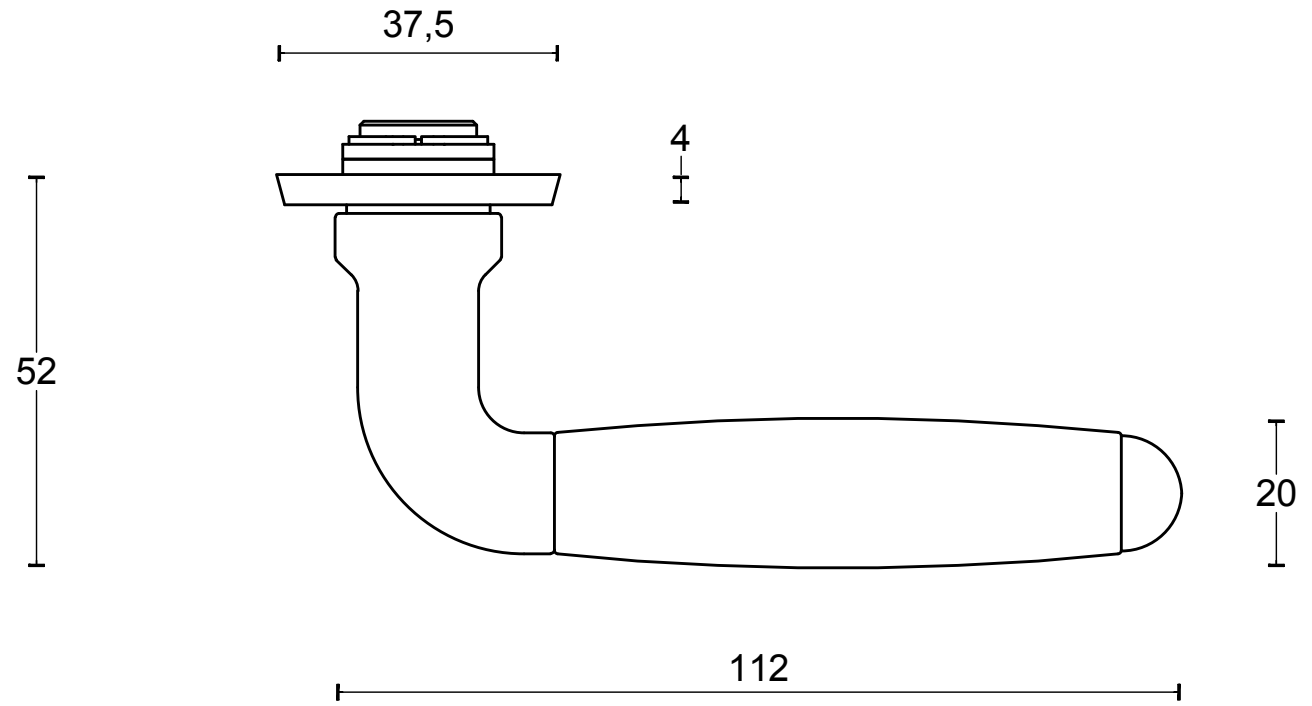
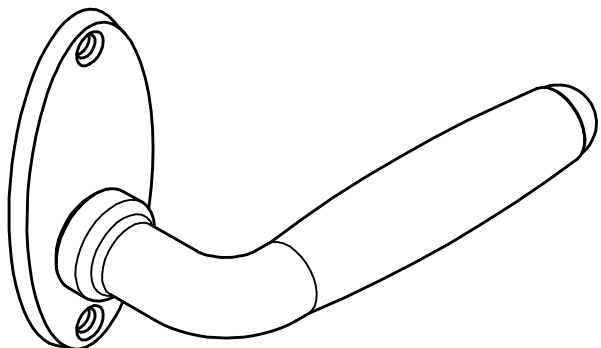
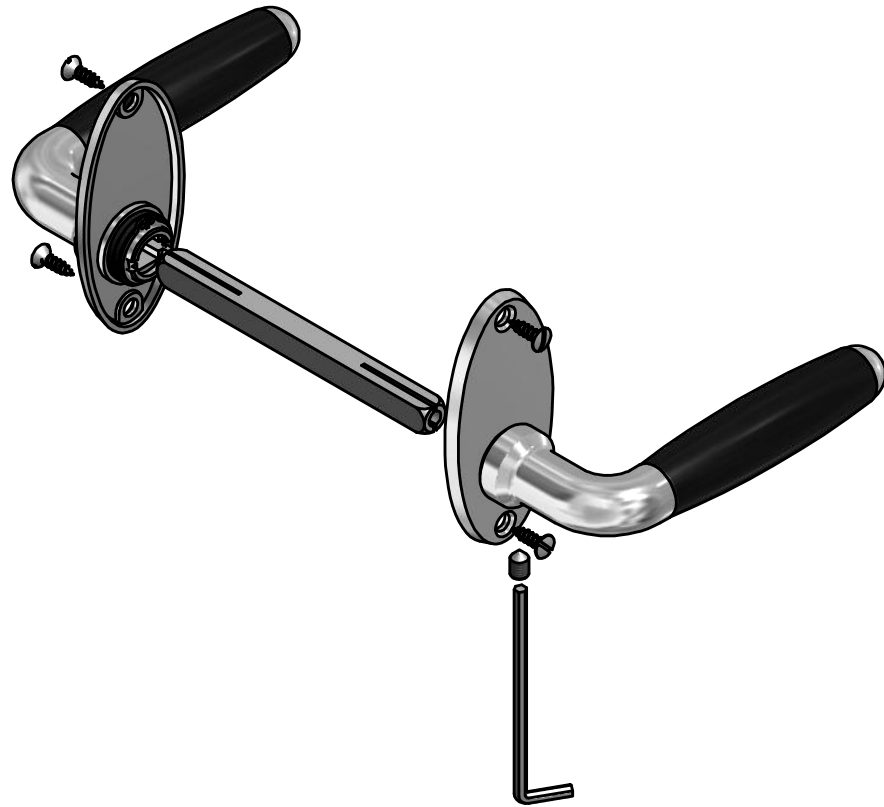


1932MRO

solid unsprung lever handle
on rose



FORMANI®		Part number:	
		Description:	
Doc no.:	0301D008 1932MRO V03.dwg	1932MRO	Format: A3
Drawn by:	Christian Brimbois		
FORMANI HOLLAND B.V. EUROPALAAN 12 6199 AB MAASTRICHT-AIRPORT NL T +31 (0)43 308 90 00 INFO@FORMANI.COM FORMANI.COM			