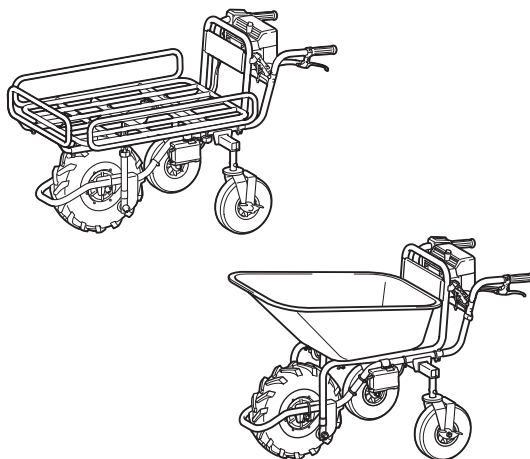




EN	Battery Powered Wheelbarrow	INSTRUCTION MANUAL	13
FR	Brouette À Batterie	MANUEL D'INSTRUCTIONS	23
DE	Akku-Schubkarre	BETRIEBSANLEITUNG	34
IT	Carriola elettrica a batteria	ISTRUZIONI PER L'USO	45
NL	Accuaangedreven kruitwagen	GEBRUIKSAANWIJZING	56
ES	Carretilla Propulsada a Batería	MANUAL DE INSTRUCCIONES	67
PT	Carrinho de Mão a Bateria	MANUAL DE INSTRUÇÕES	78
DA	Batteridrevet trillebør	BRUGSANVISNING	89
EL	Καρότσι με μπαταρία	ΕΓΧΕΙΡΙΔΙΟ ΟΔΗΓΙΩΝ	99
TR	Akülü El Arabası	KULLANMA KILAVUZU	110

DCU180



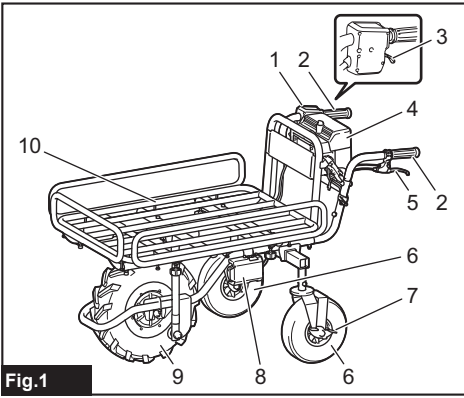


Fig.1

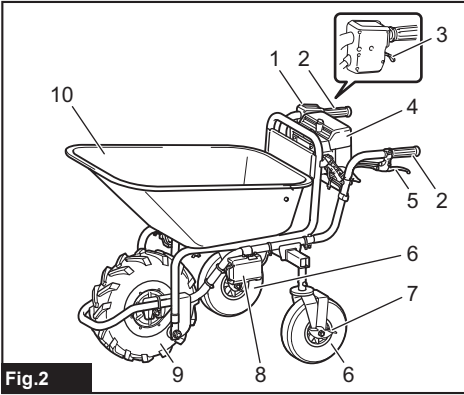


Fig.2

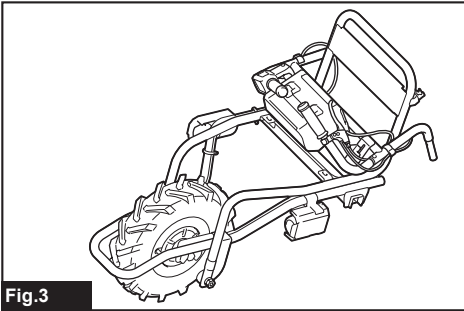


Fig.3

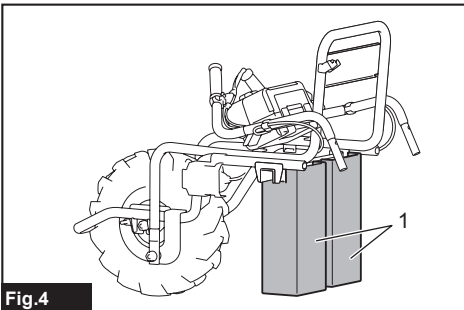


Fig.4

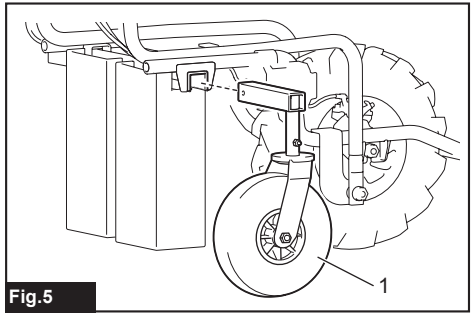


Fig.5

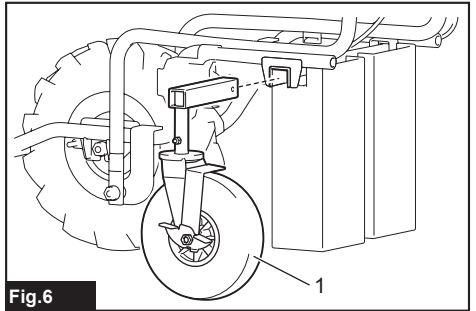


Fig.6

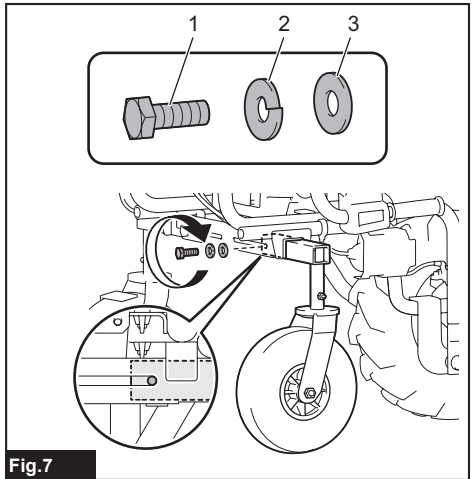


Fig.7

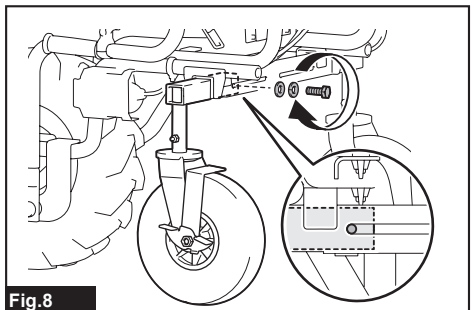


Fig.8

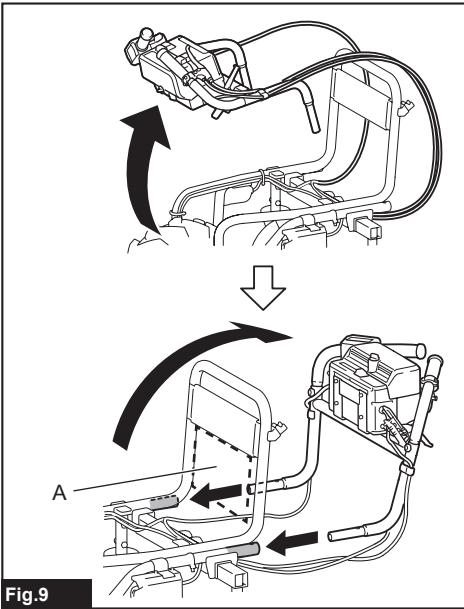


Fig.9

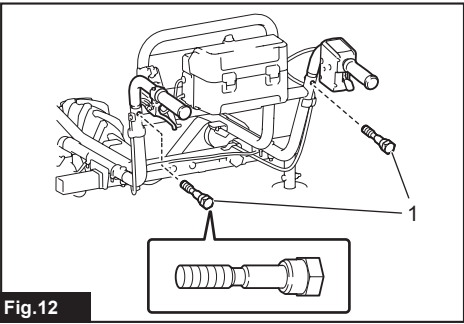


Fig.12

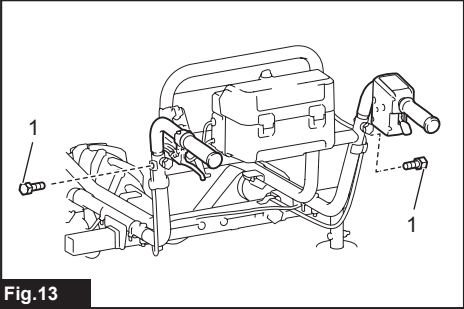


Fig.13

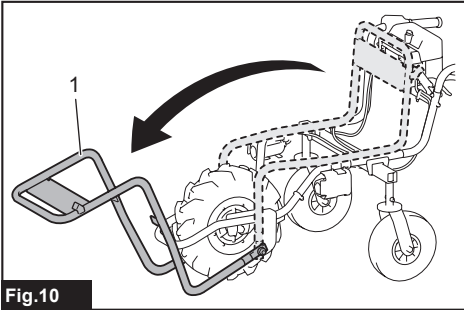


Fig.10

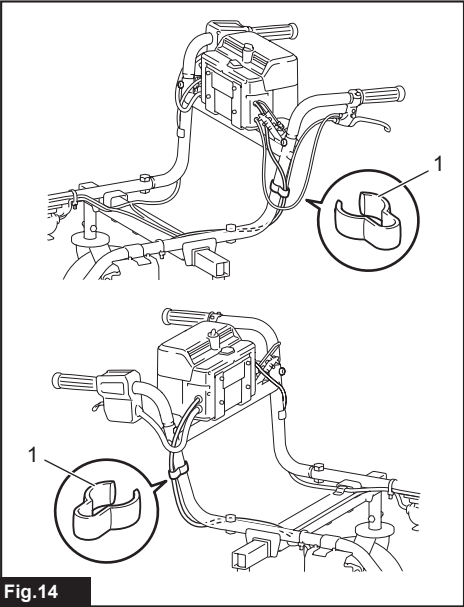


Fig.14

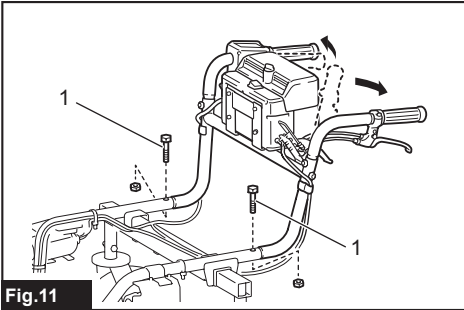


Fig.11

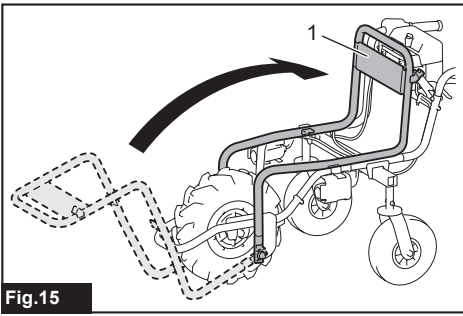


Fig.15

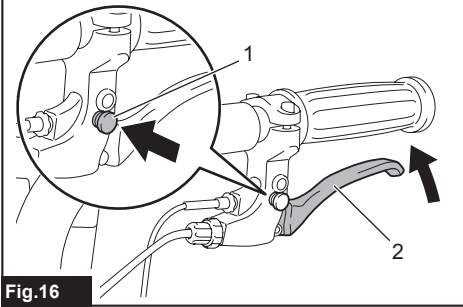


Fig.16

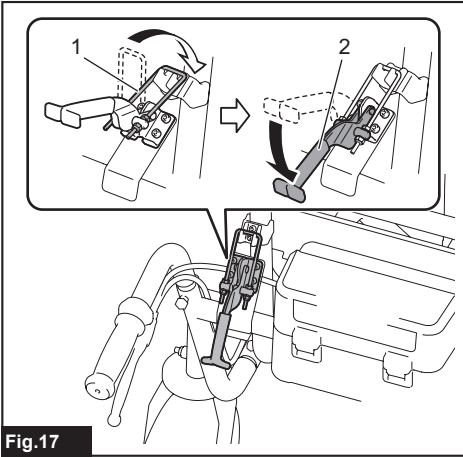


Fig.17

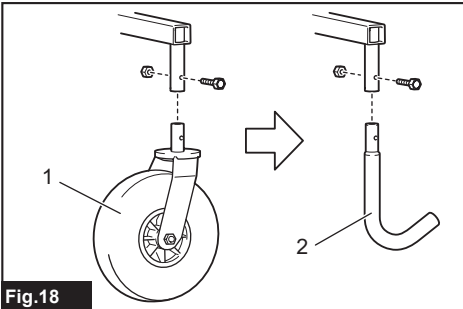


Fig.18

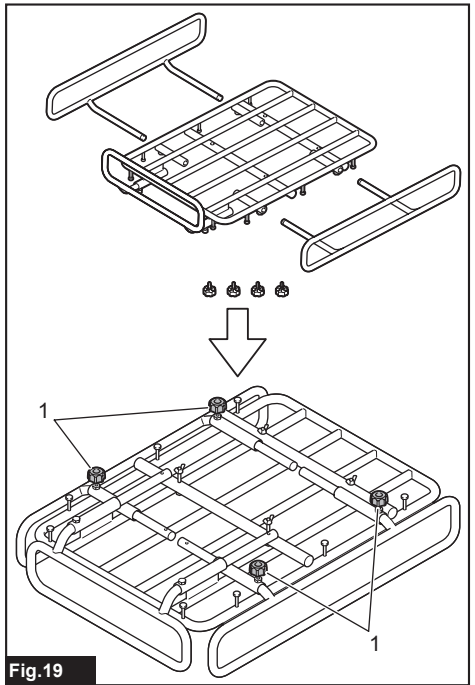


Fig.19

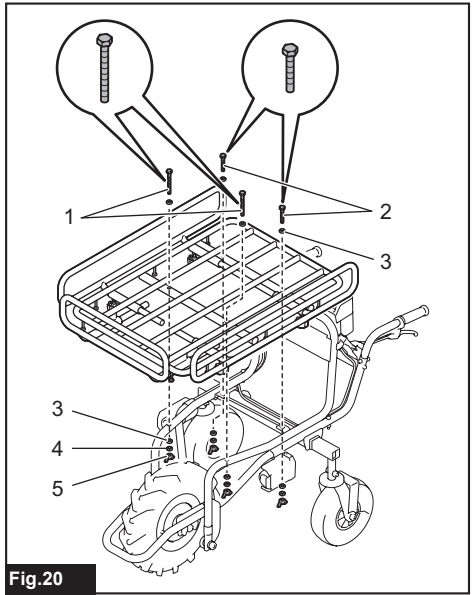


Fig.20

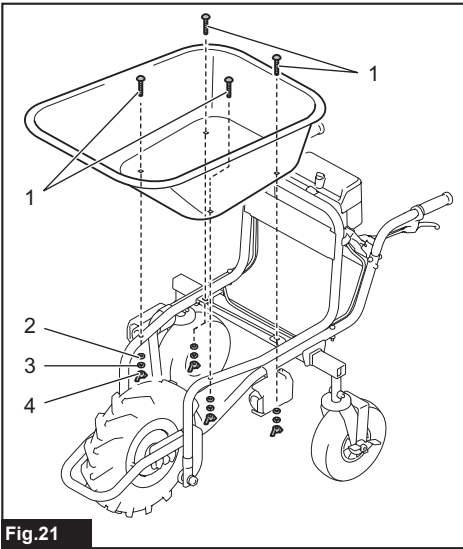


Fig.21

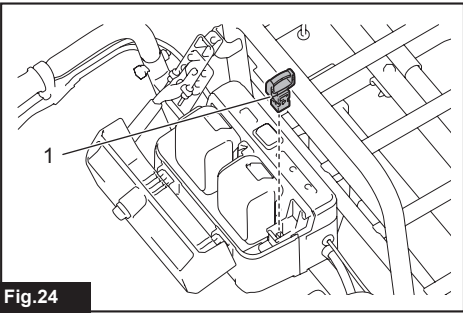


Fig.24

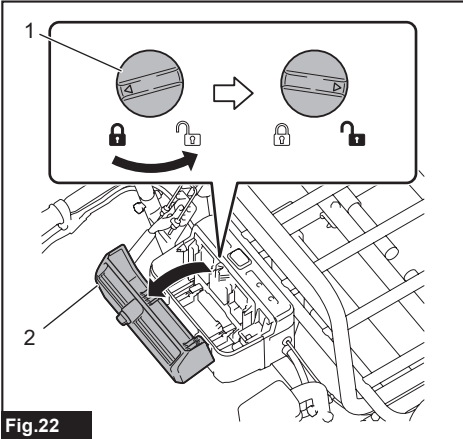


Fig.22

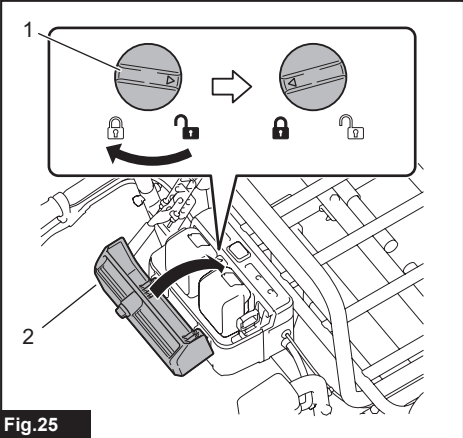


Fig.25

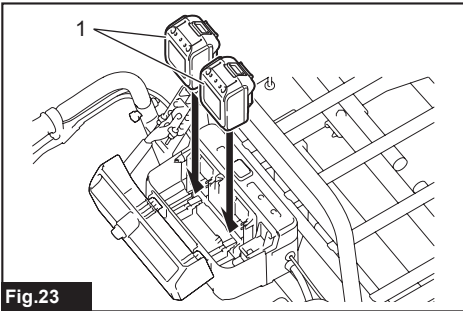


Fig.23

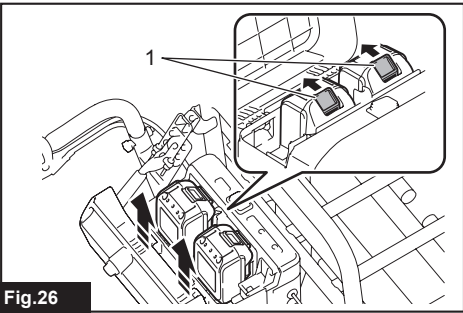


Fig.26

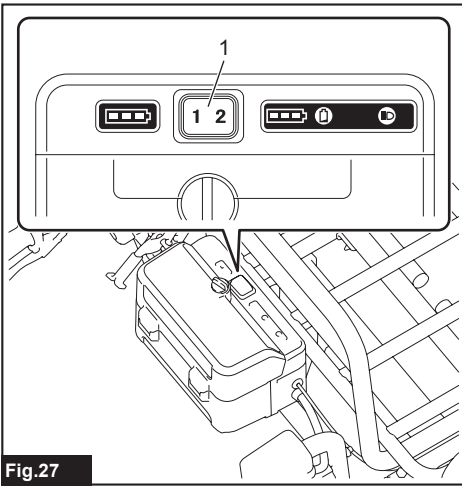


Fig. 27

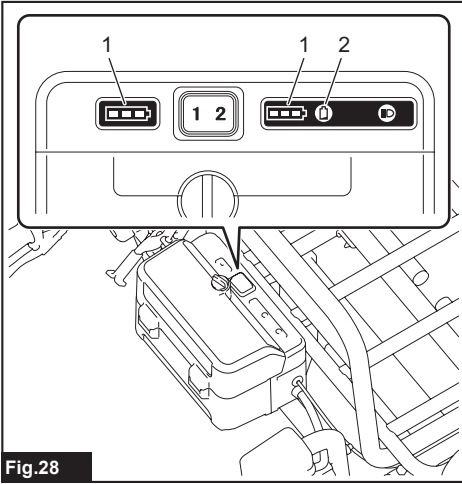


Fig. 28

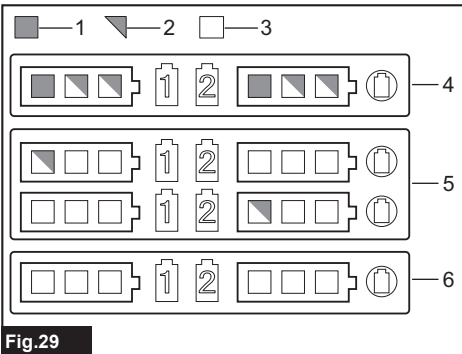


Fig. 29

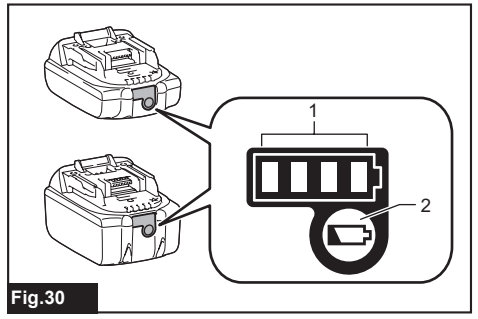


Fig. 30

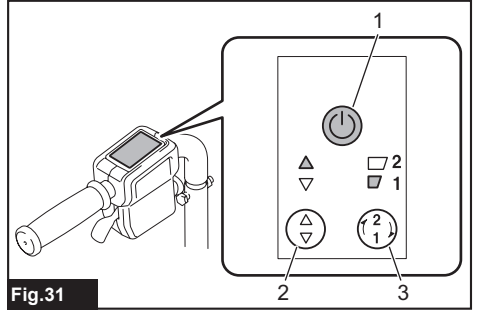


Fig. 31

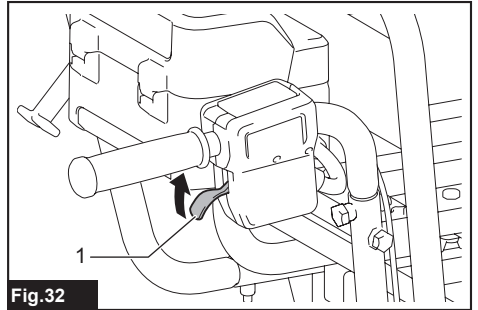


Fig. 32

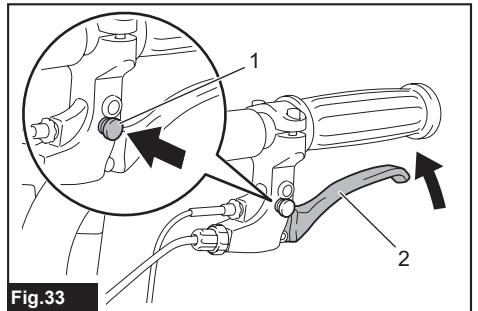


Fig. 33

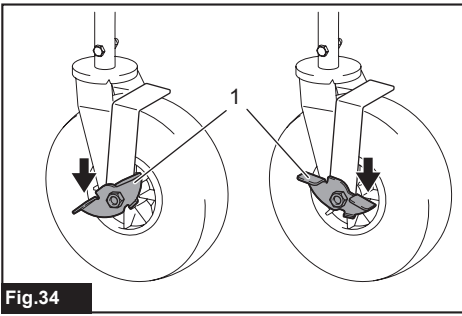


Fig.34

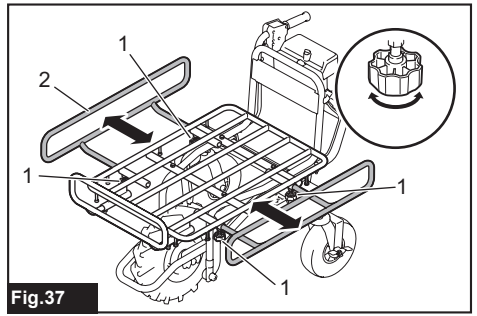


Fig.37

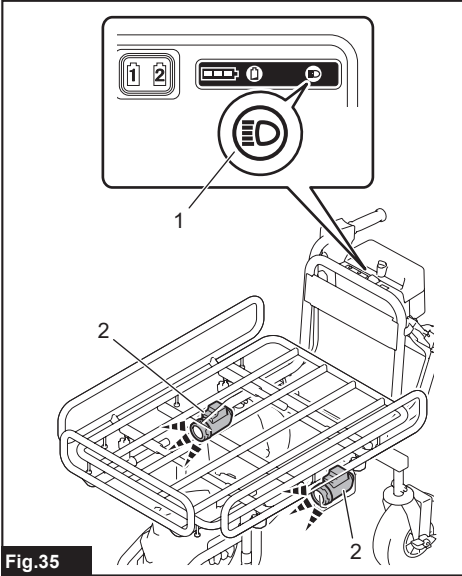


Fig.35

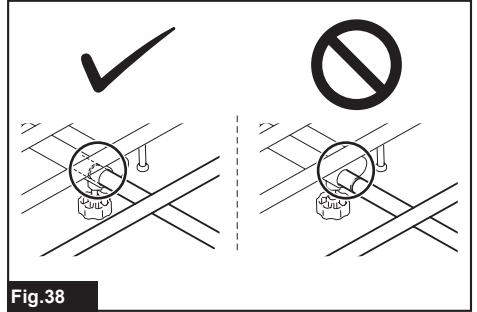


Fig.38

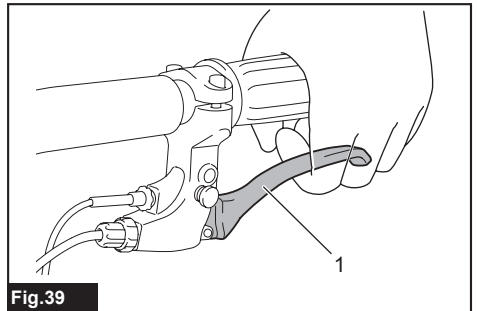


Fig.39

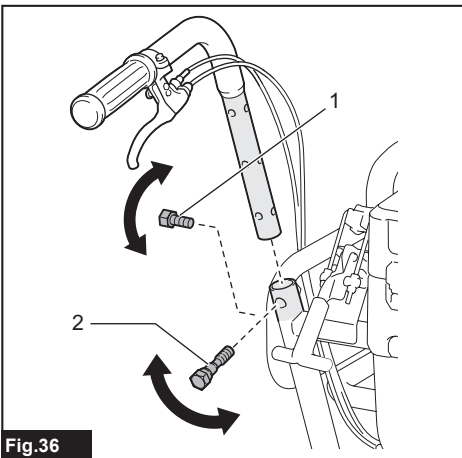


Fig.36

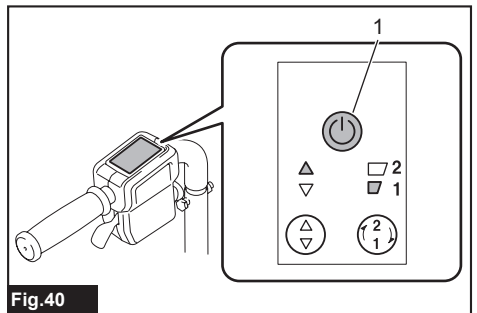


Fig.40

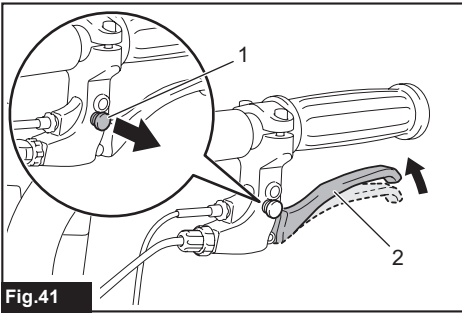


Fig.41

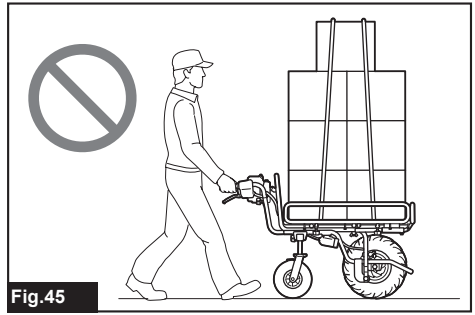


Fig.45



Fig.42

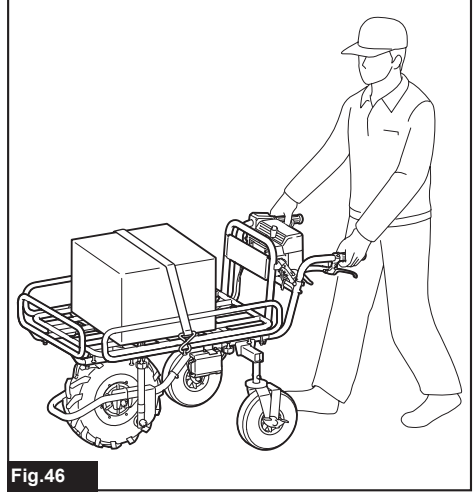


Fig.46

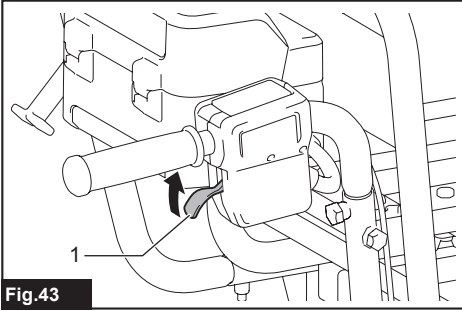


Fig.43

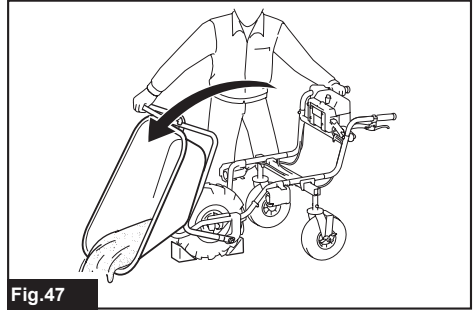


Fig.47

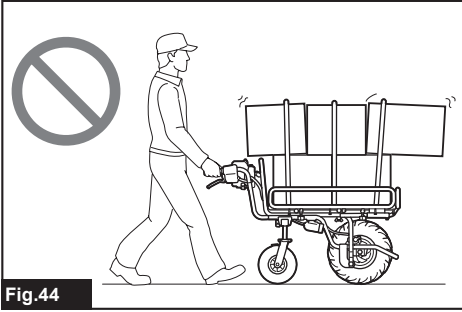


Fig.44

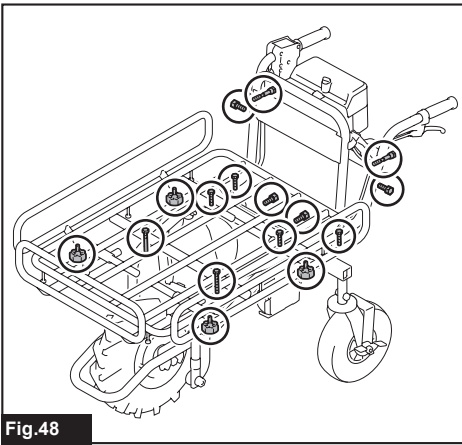


Fig.48

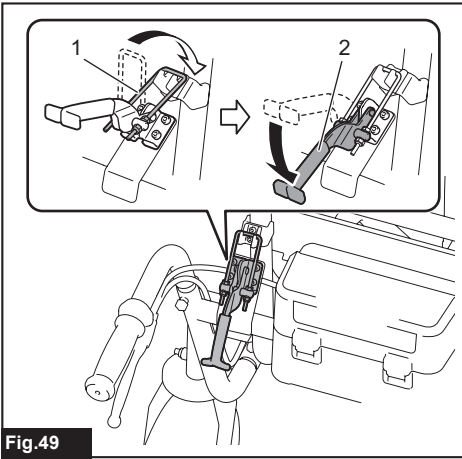


Fig.49

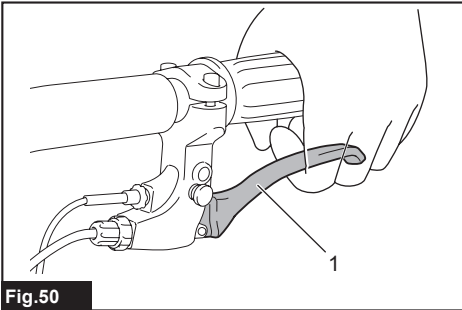


Fig.50

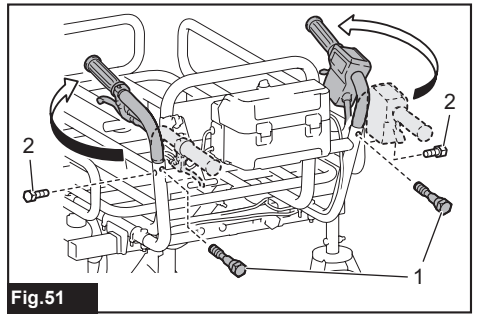


Fig.51

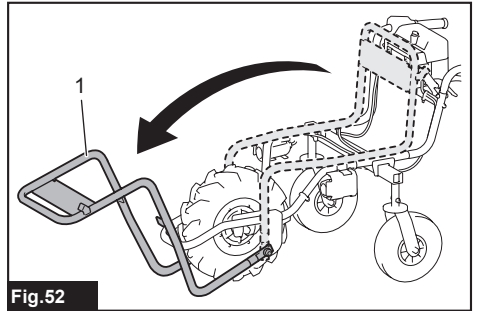


Fig.52

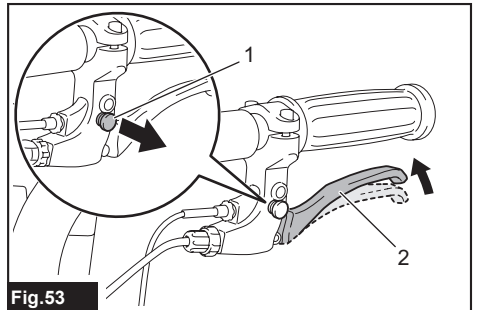


Fig.53

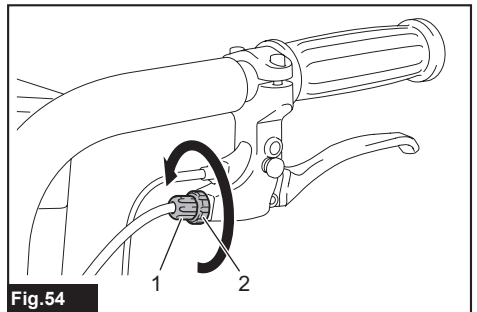
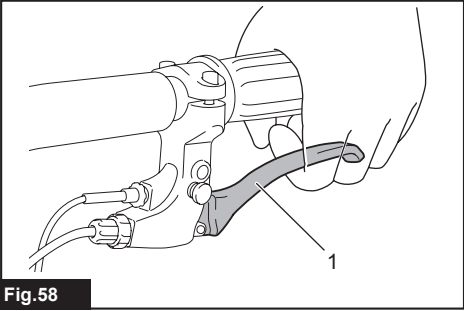
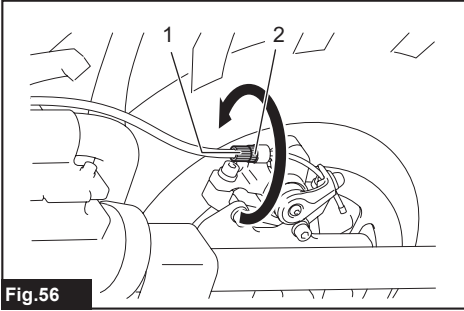
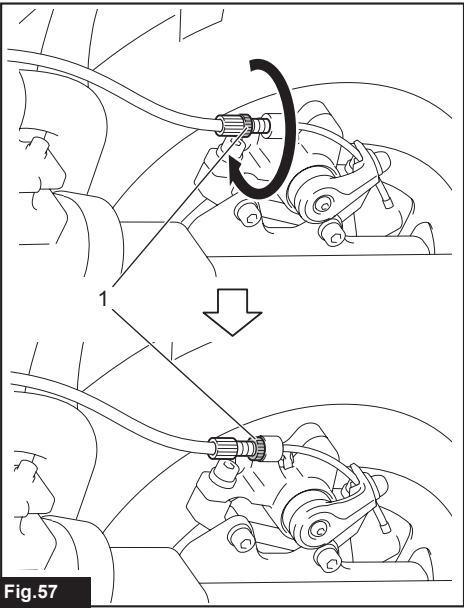
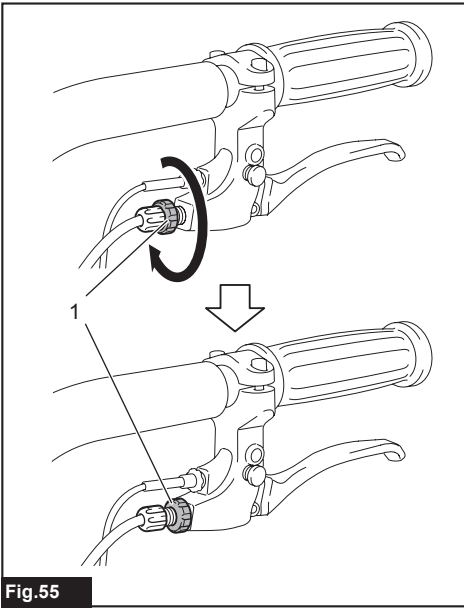
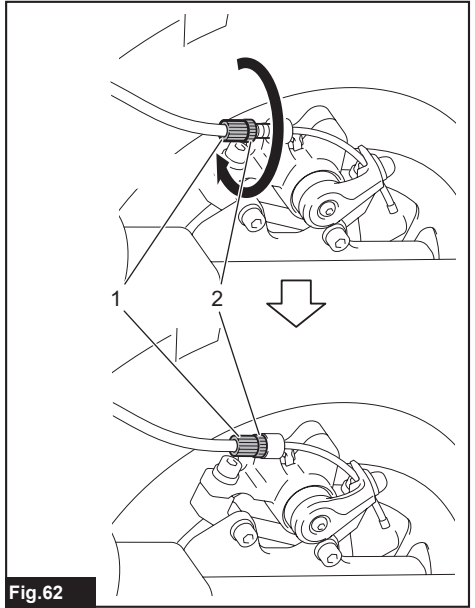
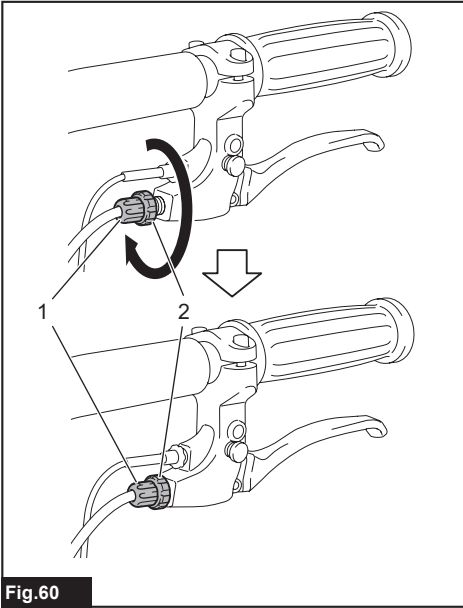
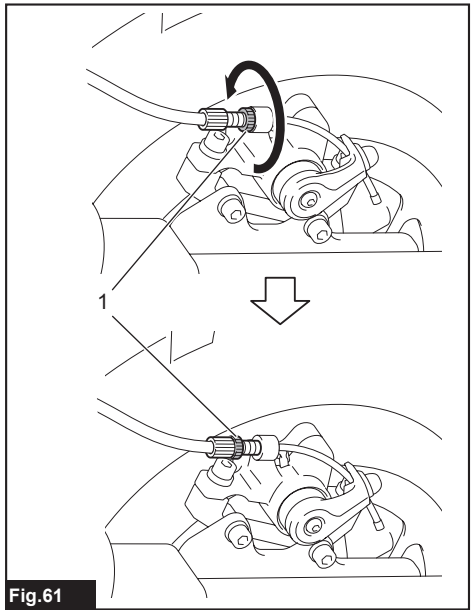
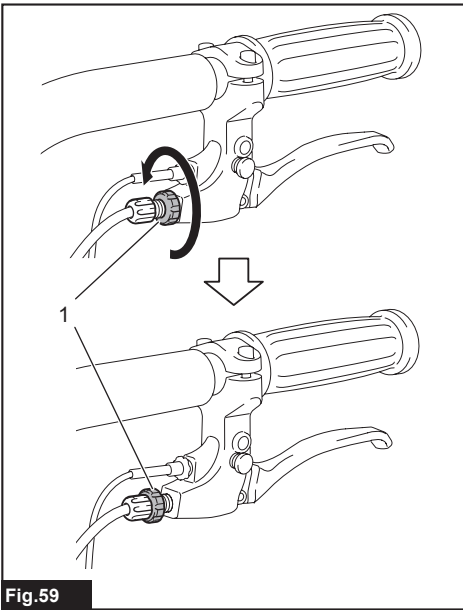


Fig.54





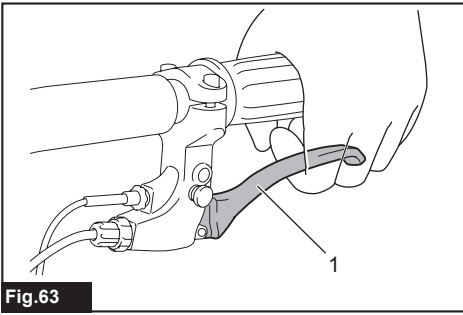


Fig.63

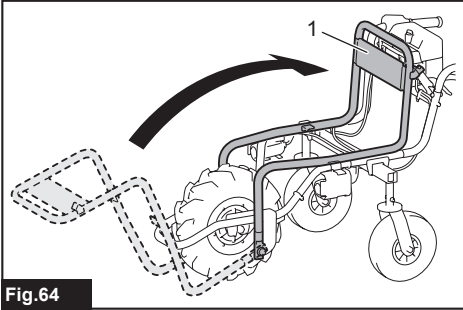


Fig.64

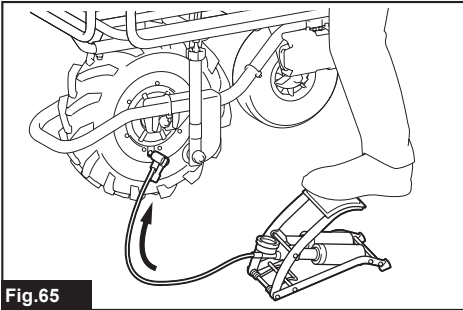


Fig.65

SPECIFICATIONS

Model:		DCU180
Dimensions (L x W x H)	When carrier is installed	During operation: 1,315 mm x 1,060 mm x 900 mm When stored: 1,110 mm x 820 mm x 820 mm
	When bucket is installed	During operation: 1,310 mm x 820 mm x 900 mm When stored: 1,110 mm x 820 mm x 820 mm
Traveling speed	Forward	1.5 or 3.5 km/h
	Reverse	1.0 km/h
Minimum turning radius		1,075 mm (Outer diameter when turning with front wheel as axis)
Maximum climbing capacity		12°
Maximum load capacity		130 kg
Brake	Front wheel	Disc brake with wire
	Rear wheel	Fixed with pedal
Tire	Front wheel	Tubeless tire
	Rear wheel	Self-sealing tire
Rated voltage		D.C. 18 V
Net weight	When carrier is installed	45 kg
	When bucket is installed	39 - 40 kg

- Due to our continuing program of research and development, the specifications herein are subject to change without notice.
- Specifications and battery cartridge may differ from country to country.
- The weight may differ depending on the attachment(s), including the battery cartridge. The lightest and heaviest combinations, according to EPTA-Procedure 01/2014, are shown in the table.

Applicable battery cartridge and charger

Battery cartridge	BL1815N / BL1820 / BL1820B / BL1830 / BL1830B / BL1840 / BL1840B / BL1850 / BL1850B / BL1860B
Charger	DC18RC / DC18RD / DC18RE / DC18SD / DC18SE / DC18SF

- Some of the battery cartridges and chargers listed above may not be available depending on your region of residence.

⚠ WARNING: Only use the battery cartridges and chargers listed above. Use of any other battery cartridges and chargers may cause injury and/or fire.

Symbols

The followings show the symbols used for the equipment. Be sure that you understand their meaning before use.



Read instruction manual.



Only for EU countries
Do not dispose of electric equipment or battery pack together with household waste material!
In observance of the European Directives, on Waste Electric and Electronic Equipment and Batteries and Accumulators and Waste Batteries and Accumulators and their implementation in accordance with national laws, electric equipment and batteries and battery pack(s) that have reached the end of their life must be collected separately and returned to an environmentally compatible recycling facility.



Fully pull down the lever and check that the carrier or bucket is locked.



Do not change the direction on steep slopes.



Load and unload objects on flat ground.



Load objects on the carrier or bucket evenly.



This machine cannot be used on the public road.



Do not use for transporting persons.



Do not expose to rain.



To cancel the beep sound, release the switch trigger and pull the brake lever.



Do not stare into beam.

Intended use

The machine is intended for loading and carrying objects with battery powered assistance.

Noise

The typical A-weighted noise level determined according to EN62841:

Sound pressure level (L_{pA}) : 70 dB(A) or less
Uncertainty (K) : 3 dB(A)

The noise level under working may exceed 80 dB (A).

NOTE: The declared noise emission value(s) has been measured in accordance with a standard test method and may be used for comparing one tool with another.

NOTE: The declared noise emission value(s) may also be used in a preliminary assessment of exposure.

⚠ WARNING: Wear ear protection.

⚠ WARNING: The noise emission during actual use of the power tool can differ from the declared value(s) depending on the ways in which the tool is used especially what kind of workpiece is processed.

⚠ WARNING: Be sure to identify safety measures to protect the operator that are based on an estimation of exposure in the actual conditions of use (taking account of all parts of the operating cycle such as the times when the tool is switched off and when it is running idle in addition to the trigger time).

Vibration

The vibration total value (tri-axial vector sum) determined according to EN62841:

Work mode: operation without load
Vibration emission (a_{h1}) : 2.5 m/s² or less
Uncertainty (K) : 1.5 m/s²

NOTE: The declared vibration total value(s) has been measured in accordance with a standard test method and may be used for comparing one tool with another.

NOTE: The declared vibration total value(s) may also be used in a preliminary assessment of exposure.

⚠ WARNING: The vibration emission during actual use of the power tool can differ from the declared value(s) depending on the ways in which the tool is used especially what kind of workpiece is processed.

⚠ WARNING: Be sure to identify safety measures to protect the operator that are based on an estimation of exposure in the actual conditions of use (taking account of all parts of the operating cycle such as the times when the tool is switched off and when it is running idle in addition to the trigger time).

EC Declaration of Conformity

For European countries only

The EC declaration of conformity is included as Annex A to this instruction manual.

SAFETY WARNINGS

General power tool safety warnings

⚠ WARNING: Read all safety warnings, instructions, illustrations and specifications provided with this power tool. Failure to follow all instructions listed below may result in electric shock, fire and/or serious injury.

Save all warnings and instructions for future reference.

The term "power tool" in the warnings refers to your mains-operated (corded) power tool or battery-operated (cordless) power tool.

Battery powered wheelbarrow safety warnings

1. **While operating the machine, always wear non-slip and protective footwear.** Non-skid, closed-toed safety boots and shoes will reduce the risk of injury.
2. **Inspect pathway before hauling objects/materials.** Familiarizing yourself with the pathway and ensuring it is wide enough to safely navigate the machine under load will help reduce losing control of the machine.
3. **Use extreme caution on slippery, loose and unstable terrain.** Wet and slippery surfaces, such as wet grassy areas, snow or ice, and loose and unstable terrain, such as sand or gravel surfaces, may cause the machine to lose traction and may adversely affect steering, braking and stability.
4. **Do not operate the machine on excessively steep slopes.** This reduces the risk of loss of control, slipping and falling which may result in personal injury. Slopes greater than the maximum recommended grade and side grades may increase the risk of instability and may adversely affect the ability to stop safely.
5. **When working on slopes, always be sure of your footing, always work across the face of slopes, never up or down, and exercise extreme caution when changing direction.** This reduces the risk of loss of control, slipping and falling which may result in personal injury.
6. **Whenever possible, use level areas for stopping, loading and unloading and never leave machine unattended on a slope.** The machine is more unstable when resting on a slope than when resting on a level surface.
7. **When stopping on slopes, face the machine uphill or downhill and block unbraked wheels.** The machine is less stable when facing across a slope. Unbraked wheels, especially those of the castor-type, can potentially turn and roll downhill even while the front wheel parking brake is set.

8. **When leaving the machine unattended, set parking brake once the machine is located in a safe stopping area.** The parking brake prevents unwanted movement of the front wheel and can improve stability.
 9. **Ensure that ramps are clean, strong and secure.** In order to reduce the risk of injury, all ramps must be clear of loose debris and strong enough to withstand the weight of anticipated loads that will be moved over them. They must have adequate blocking underneath and to both sides to eliminate deflections and side-to-side movement under load. All ramps must be wide enough to have sure footing while hauling loads across them.
 10. **Ensure the hopper is down and hoppers and dump-gates are securely latched when not dumping the load and when storing the machine.** Unlatched hoppers or dump-gates can unexpectedly open or shift.
 11. **Avoid extending ramps without toe boards or railings over open spaces.** Elevated open spaces and open trenches invite accidental falls and increase the potential for serious injury. Use toe boards or railings on ramps over open spaces to prevent driving the machine off the ramp.
 12. **Ensure all locking screws are tightly secure before using.** Locking screws on the rear wheels and open-type carrier front and side walls must be secure to prevent unwanted movement of these adjustable parts of the machine.
 13. **Never operate the machine in an overloaded condition.** Make sure the machine has the proper capacity rating for the objects or materials that have to be hauled. Excessive loads will make the machine more difficult to maneuver and stop, will increase stopping time and distance, and will increase the risk of instability.
 14. **Never operate your machine in an over stacked condition.** Stacking material above the tray rim or over the sides of the tray can cause the machine to be uncontrollably out of balance and control.
 15. **Use containers and tie-downs to secure loads.** Loose and/or insecure loads are more likely to shift which can result in loss of stability and control.
 16. **Always maintain a firm grip on handles.** Loss of control can increase the risk of personal injury.
 17. **Remove safety key when not in use.** The safety key prevents unwanted, powered use of the machine, such as by children or other untrained or unauthorized persons. Without the key, electric power cannot be turned "on".
 18. **This machine cannot be used on public roads.** Use of the wheelbarrow on a public road is unlawful and could result in local jurisdiction penalties in addition it could result in personal injury.
 19. **Use a sturdy plate with anti-slip and detachment prevention function when loading and/ or unloading this machine for transportation, or moving this machine between different levels. Make sure the plate inclination does not exceed 12°, and operate the machine slowly and carefully. Unstable and quick operation may result in overturn and/or falling.**
 20. **Do not disassemble, repair, or modify this machine.**
- Operation**
1. **When operating the machine, stand behind the machine and hold the handles firmly.**
 2. **Do not operate the machine while riding on the machine.**
 3. **Do not allow others to ride on the machine.**
 4. **When operating the machine in reverse and walking backward, watch behind you and be careful not to slip or trip.**
 5. **Do not use the machine when visibility is poor because there is a risk of striking obstacles.**
 6. **When operating the machine on rough ground, decrease speed and exercise caution.**
 7. **When using the machine, avoid soft ground to prevent overturn due to the shoulder of the road collapsing.**
 8. **Do not operate the machine on upward slopes greater than 12°.**
 9. **If you find an abnormality, stop the machine on flat ground. Before inspecting the machine, pull the brake lever and lock the brake, and then turn the power off.**
 10. **Before operating the machine, make sure that the lock lever is fully pulled down and completely locked.** If the lock is incomplete, there is a risk of accident or injury as the carrier or bucket may be tilted and the objects fall when going downhill.
 11. **Be careful not to entangle the cords with the load or obstacles.**
- Operation on slopes**
1. **Do not cross on slopes.**
 2. **Be sure to decrease speed and exercise caution.**
 3. **Exercise caution when starting or stopping the machine on slopes.**
 4. **As the loads become less stable on slopes, firmly secure the loads with ropes.**
 5. **As the machine becomes unstable depending on the condition of the road, keep the load to a minimum.**
 6. **As the view is obscured on slopes, keep the height of the load to a minimum.**
 7. **Never park the machine on steep slopes. Park the machine on flat ground, pull the brake lever and lock the brake, and then turn the power off.**
 8. **Do not change the direction or speed mode on steep slopes.**
 9. **Do not release the switch trigger on upward slopes.** The machine may go in reverse and cause an accident.
 10. **Make sure that the remaining battery capacity is enough before operating on slopes. If the remaining battery capacity is not enough, charge the battery or replace it with a charged one.**

Loading objects

1. **Do not overload objects. When loading objects, be sure to follow the instructions and load limits in the manual.**
2. **Firmly secure the objects with ropes.**
3. **Load the objects within the carrier or bucket.** If the objects protrude from the carrier or bucket, there is a risk of accidents due to the objects falling or contact obstacles such as walls.
4. **Be sure that loaded objects are below eye level.** If the load is too high, it is dangerous because the view is obscured. Also, there is a risk of overturning and injury because the load is likely to be unbalanced.
5. **Load the objects on the carrier or bucket evenly.** If the objects are loaded unevenly, there is a risk of overturning and injury because the load is likely to be unbalanced.
6. **Before loading the objects or operating the machine, make sure that the lock lever is fully pulled down and completely locked.**
7. **Be sure to load heavy objects first to keep balance.**
8. **Do not extend the front and side rails on steep slopes. Extend the side rails when lightweight objects are loaded.**
9. **When extending the front and side rails, do not extend them over the extension limit. Be sure to extend the side rails so that the right and left sides are the same length, and load objects evenly.**
10. **Load and unload objects on flat ground.**
11. **When lifting and tilting the carrier or bucket, hold the handles and frame firmly, and work in a stable posture.**

Maintenance

1. **Always be sure to park the machine on flat ground and lock the brake lever before storage or attempting to perform inspections or maintenance.**

SAVE THESE INSTRUCTIONS.

⚠WARNING: DO NOT let comfort or familiarity with product (gained from repeated use) replace strict adherence to safety rules for the subject product. MISUSE or failure to follow the safety rules stated in this instruction manual may cause serious personal injury.

Important safety instructions for battery cartridge

1. **Before using battery cartridge, read all instructions and cautionary markings on (1) battery charger, (2) battery, and (3) product using battery.**
2. **Do not disassemble battery cartridge.**
3. **If operating time has become excessively shorter, stop operating immediately. It may result in a risk of overheating, possible burns and even an explosion.**
4. **If electrolyte gets into your eyes, rinse them out with clear water and seek medical attention right away. It may result in loss of your eyesight.**

5. **Do not short the battery cartridge:**
 - (1) **Do not touch the terminals with any conductive material.**
 - (2) **Avoid storing battery cartridge in a container with other metal objects such as nails, coins, etc.**
 - (3) **Do not expose battery cartridge to water or rain.****A battery short can cause a large current flow, overheating, possible burns and even a breakdown.**
6. **Do not store the tool and battery cartridge in locations where the temperature may reach or exceed 50 °C (122 °F).**
7. **Do not incinerate the battery cartridge even if it is severely damaged or is completely worn out. The battery cartridge can explode in a fire.**
8. **Be careful not to drop or strike battery.**
9. **Do not use a damaged battery.**
10. **The contained lithium-ion batteries are subject to the Dangerous Goods Legislation requirements.**

For commercial transports e.g. by third parties, forwarding agents, special requirement on packaging and labeling must be observed. For preparation of the item being shipped, consulting an expert for hazardous material is required. Please also observe possibly more detailed national regulations.

Tape or mask off open contacts and pack up the battery in such a manner that it cannot move around in the packaging.
11. **Follow your local regulations relating to disposal of battery.**
12. **Use the batteries only with the products specified by Makita.** Installing the batteries to non-compliant products may result in a fire, excessive heat, explosion, or leak of electrolyte.

SAVE THESE INSTRUCTIONS.

⚠CAUTION: Only use genuine Makita batteries. Use of non-genuine Makita batteries, or batteries that have been altered, may result in the battery bursting causing fires, personal injury and damage. It will also void the Makita warranty for the Makita tool and charger.

Tips for maintaining maximum battery life

1. **Charge the battery cartridge before completely discharged. Always stop tool operation and charge the battery cartridge when you notice less tool power.**
2. **Never recharge a fully charged battery cartridge. Overcharging shortens the battery service life.**
3. **Charge the battery cartridge with room temperature at 10 °C - 40 °C (50 °F - 104 °F). Let a hot battery cartridge cool down before charging it.**
4. **Charge the battery cartridge if you do not use it for a long period (more than six months).**

PARTS DESCRIPTION

Parts description (when the carrier is installed)

► Fig.1

1	Control panel	2	Handle
3	Switch trigger	4	Battery box
5	Brake lever for front wheel	6	Rear wheel
7	Brake pedal for rear wheel	8	Lamp
9	Front wheel	10	Carrier

Parts description (when the bucket is installed)

► Fig.2

1	Control panel	2	Handle
3	Switch trigger	4	Battery box
5	Brake lever for front wheel	6	Rear wheel
7	Brake pedal for rear wheel	8	Lamp
9	Front wheel	10	Bucket

ASSEMBLY

⚠ CAUTION: Always be sure that the machine is switched off and the battery cartridge is removed before carrying out any work on the machine.

Assembling main unit

1. Take out the base unit and handles from the box.
► Fig.3

NOTICE: Be sure to take out the base unit and handles together, so that excessive force is not applied to the cords.

2. Place the packing material under the rear side of the base unit.

► Fig.4: 1. Packing material

3. Insert the rear wheels into the frame.

► Fig.5: 1. Rear wheel

► Fig.6: 1. Rear wheel

NOTE: The support legs can be attached instead of the rear wheels.

4. Attach the spring washer and the washer to the short hexagonal bolt, and then tighten them using the wrench included in the package.

► Fig.7: 1. Short hexagonal bolt 2. Spring washer
3. Washer

► Fig.8

NOTICE: Be sure to use the short hexagonal bolts to tighten the rear wheels.

NOTICE: Fix the rear wheels at the same position on both sides.

5. Raise the handles, and then insert them into the base unit.

► Fig.9

NOTICE: Do not allow the cords inside area "A" in the figure. Long objects may be entangled with the cords and cause accidents.

NOTICE: Do not apply excessive force to the cords when raising and inserting the handles.

NOTICE: Be sure to raise the handles with both hands.

6. Open the carrier frame toward the front.

► Fig.10: 1. Carrier frame

7. Unfold the handles, then insert the long hexagonal bolts into the base unit, and then tighten the nuts with the wrench included in the package.

► Fig.11: 1. Long hexagonal bolt

8. Tighten the shoulder bolts from the rear using the wrench included in the package.

► Fig.12: 1. Shoulder bolt

9. Tighten the short hexagonal bolts from both sides using the wrench included in the package to fix the handles.

► Fig.13: 1. Short hexagonal bolt

NOTICE: Do not tighten the short hexagonal bolts with excessive force. Tighten them with proper force so that the handles are stably fixed.

NOTICE: Do not pinch the cords with the bolts.

10. Fix the cords with the clamps.

► Fig.14: 1. Clamp

11. Fold the carrier frame.

► Fig.15: 1. Carrier frame

12. Press the lock button while pulling the brake lever to lock the brake.

► Fig.16: 1. Lock button 2. Brake lever

⚠ CAUTION: If the rear wheels are installed, press the brake pedal for the rear wheel to lock the rear wheel.

13. Hook the carrier lock, and then pull down the lock lever to lock the carrier.

► Fig.17: 1. Carrier lock 2. Lock lever

NOTICE: Make sure that the lock lever is locked securely.

NOTICE: Do not pinch the cords with the lock lever.

NOTE: If you attach the support legs instead of the rear wheels, remove the rear wheels from the frames, and then attach the support legs to the frames.

► Fig.18: 1. Rear wheel 2. Support leg

Assembling and installing carrier

Optional accessory

1. Take out the carrier from the box, attach the side rails to the base frame, and then tighten the thumb nuts to fix the rails.

► **Fig.19:** 1. Thumb nut

2. Place the carrier on the base unit, and then insert the hexagonal bolts and washers into the frames from the top. Tighten the washers and spring washers and butterfly nuts from the bottom to fix the carrier.

► **Fig.20:** 1. Long hexagonal bolt 2. Short hexagonal bolt 3. Washer 4. Spring washer 5. Butterfly nut

NOTICE: Use the long bolts for the front, and the short bolts for the rear.

Installing bucket

Optional accessory

Place the bucket on the base unit, insert the hexagonal bolts into the frames, and then tighten the washers and spring washers and butterfly nuts from the bottom to fix the bucket.

► **Fig.21:** 1. Hexagonal bolt 2. Washer 3. Spring washer 4. Butterfly nut

FUNCTIONAL DESCRIPTION

Installing or removing battery cartridge

⚠CAUTION: Always switch off the machine before installing or removing of the battery cartridge.

⚠CAUTION: Make sure that you lock the battery cover before use. Otherwise, mud, dirt, or water may cause damage to the product or the battery cartridge.

⚠CAUTION: Always install the battery cartridge fully until the red indicator cannot be seen. If not, it may accidentally fall out of the machine, causing injury to you or someone around you.

⚠CAUTION: Do not install the battery cartridge forcibly. If the cartridge does not slide in easily, it is not being inserted correctly.

⚠CAUTION: Do not use the high-temperature battery cartridge. When the high-temperature battery cartridge is used, the machine stops automatically before a short beep sound is emitted, and may cause an injury.

Installing the battery cartridge

1. Rotate the lock lever, and then open the cover of the battery box.

► **Fig.22:** 1. Lock lever 2. Cover

2. Align the tongue on the battery cartridge with the slot on the battery box, and then slide the cartridge until it locks in place with a little click. If you can see the red indicator on the upper side of the button, battery cartridge is not locked completely.

► **Fig.23:** 1. Battery cartridge

3. Insert the lock key in the place shown in the figure as far as it will go.

► **Fig.24:** 1. Lock key

NOTE: If the lock key is not inserted completely, the machine does not work.

4. Close the cover of the battery box, and then rotate the lock lever.

► **Fig.25:** 1. Lock lever 2. Cover

Removing the battery cartridge

1. Rotate the lock lever, and then open the cover of the battery box.

2. Pull out the battery cartridge from the battery box while sliding the button on the front of the cartridge.

► **Fig.26:** 1. Button

3. Pull out the lock key.

4. Close the cover of the battery box, and then rotate the lock lever.

Machine / battery protection system

The machine is equipped with a machine/battery protection system. This system automatically cuts off power to the motor to extend machine and battery life. The machine will automatically stop during operation if the machine or battery cartridge is under one of the following conditions. A short beep sound is emitted before the machine stops automatically. The battery indicators and LED indicators blink while the beep sound is emitted.

Overload protection

When the machine is operated in a manner that causes it to draw an abnormally high current, the machine automatically stops without any indication. In this situation, turn the machine off and remove the cause of overload, and then turn the machine on to restart.

Overheat protection

When the machine is overheated, the machine stops automatically. Let the machine cool down before turning the machine on again. The overheat protection is likely to work under high temperature environment.

Overdischarge protection

When the battery capacity becomes low, the machine stops automatically. If the machine does not operate even when the switches are operated, remove the battery cartridge and charge it.

Switching the battery cartridge

► Fig.27: 1. Battery selection switch

Up to two battery cartridges can be installed in the battery box, although the machine uses one battery cartridge for operation. Before operating the machine, select the battery cartridge used for operation by pressing the number on the battery selection switch.

NOTICE: If only one battery cartridge is installed in the battery box, be sure to select the battery box in which the battery cartridge is installed.

Indicating the remaining battery capacity on the battery box

CAUTION: Before checking the remaining battery capacities or switching the battery cartridge, be sure to stop the machine.

► Fig.28: 1. Battery indicator 2. Check button

Press the check button to indicate the remaining battery capacities. The battery indicators correspond to each battery.

Battery indicator status		Remaining battery capacity
On	Off	
		50% - 100%
		20% - 50%
		0% - 20%
		Battery not installed

CAUTION: When the battery capacity becomes low, a short beep sound is emitted. If you continue to operate the machine at low battery capacity, a long beep sound is emitted and the machine automatically stops. When you hear the short beep sound, pull the brake lever and lock the brake, and then switch the battery cartridge to a charged one or charge the battery cartridge. When the remaining battery capacity runs out, the machine suddenly stops automatically and this may cause an injury.

NOTE: If you continue to pull the switch trigger even if you hear the short beep sound, the machine stops automatically. After the machine stops automatically, the beep sound continues and the support brake (electric brake) is enabled. To cancel the beep sound and release the support brake, pull the brake lever and release the switch trigger. Do not push the machine forcibly without releasing the support brake. After releasing the support brake, you can tell which battery protection system is working by checking the battery indicator status.

► Fig.29: 1. Lighting 2. Blinking 3. Turned off 4. Overheat protection 5. Overdischarge protection 6. Overload protection

CAUTION: If the beep sound is emitted while operating on slopes or the machine stops automatically on slopes, move the machine to a safe place, lock the brake, and then switch the battery cartridge to a charged one or charge the battery cartridge.

If the load is large, and the beep sound is emitted while operating on slopes or the machine stops automatically on slopes, do not move the machine forcibly. Lock the brake, pay attention to safety and switch the battery cartridge to a charged one, and then move the machine to a safe place. Reduce the load before operating the machine again.

NOTE: You can check the remaining battery capacity even if the lock key is not inserted.

Indicating the remaining battery capacity

Only for battery cartridges with the indicator

► Fig.30: 1. Indicator lamps 2. Check button

Press the check button on the battery cartridge to indicate the remaining battery capacity. The indicator lamps light up for a few seconds.

Indicator lamps			Remaining capacity
Lighted	Off	Blinking	
			75% to 100%
			50% to 75%
			25% to 50%
			0% to 25%
			Charge the battery.
			The battery may have malfunctioned.

NOTE: Depending on the conditions of use and the ambient temperature, the indication may differ slightly from the actual capacity.

Control panel

- **Fig.31:** 1. Power button 2. Forward/reverse button 3. Speed button

To turn the power on, press the power button for a few seconds. Press the forward/reverse button to switch between the forward mode and reverse mode. Press the speed button to switch between low speed and high speed. When the power is turned on, the forward mode and low speed are set. To turn the power off, press the power button for a few seconds.

NOTE: The forward/reverse button is not available while pulling the switch trigger.

NOTE: A short beep sound comes out when operating the machine in reverse.

NOTE: The speed button is not available when operating the machine in reverse.

Switch and brake action

⚠ WARNING: Before installing the battery cartridge into the machine, always check to see that the switch trigger actuates properly and returns to the "OFF" position when released.

To start the machine, pull the switch trigger. To stop the machine, release the switch trigger and pull the brake lever. To lock the brake lever, press the lock button while pulling the brake lever. To release the lock, pull the brake lever.

- **Fig.32:** 1. Switch trigger

- **Fig.33:** 1. Lock button 2. Brake lever

Rear wheel brake

The rear wheels are equipped with the brakes. Press the brake pedals toward the front to lock the brakes. To release the brakes, press the brake pedals toward the rear.

- **Fig.34:** 1. Pedal

Lighting up the front lamps

Press the lamp button on the battery box to light up the lamps. To turn off the lamps, press the lamp button again.

- **Fig.35:** 1. Lamp button 2. Lamp

NOTE: The lamps go off if the machine is left unattended for approximately 10 minutes.

NOTE: The lamps go off when the power is turned off.

NOTE: You can light up the lamps even if the lock key is not inserted.

Adjusting the handle height

Remove the short hexagonal bolts and shoulder bolts using the wrench included in the package, and then adjust the handle height. The height can be adjusted to three levels. Tighten the shoulder bolts and short hexagonal bolts to fix the handle.

- **Fig.36:** 1. Short hexagonal bolt 2. Shoulder bolt

NOTICE: Fix the left and right handles at the same height.

NOTICE: Do not tighten the short hexagonal bolts with excessive force. Tighten them with proper force so that the handles are stably fixed.

NOTICE: Do not pinch the cords with the bolts.

Adjusting the width of the carrier

Loosen the 4 thumb nuts, and then slide the side rails. Tighten the thumb nuts to fix the side rails.

- **Fig.37:** 1. Thumb nut 2. Rail

⚠ CAUTION: Do not slide the rails beyond the limit mark.

- **Fig.38**

OPERATION

Operating the machine

NOTICE: The front wheel is driven by battery power in this machine. Use this machine to assist with carrying operations.

NOTICE: Be sure to insert the lock key in the battery box before the operation. If the lock key is not inserted, a short beep sound is emitted when you pull the switch trigger. The beep sound stops by releasing the switch trigger and pulling the brake lever.

Before operating the machine, check that the brake lever works properly.

- **Fig.39:** 1. Brake lever

⚠ WARNING: If the brake lever reaches the handle when you fully pull the lever, the brake is not working properly. Adjust the brake, or ask your local Makita Service Center for repairs.

1. Select the battery cartridge with the battery selection switch.
2. Press the power button on the control panel for a few seconds to turn the power on.
► **Fig.40:** 1. Power button
3. Pull the brake lever to release the lock of the brake lever.
► **Fig.41:** 1. Lock button 2. Brake lever

NOTE: Release the rear wheel brake if the rear wheels are installed.

4. Hold the handles firmly with both hands.
► **Fig.42**

5. Pull the switch trigger.
► **Fig.43:** 1. Switch trigger

Loading objects

⚠ CAUTION: Before loading objects on the machine, make sure that the power is off and the brake lever is locked.

⚠ CAUTION: If the rear wheels are installed, make sure that the rear wheel brake is locked before loading objects on the machine.

⚠ CAUTION: Before loading objects on the machine, make sure that the carrier or bucket is locked.

⚠ CAUTION: Be sure to load objects within the carrier or bucket. If objects are sticking out of the carrier or bucket, they may fall or collapse if they touch obstacles.

► Fig.44

⚠ CAUTION: Be sure to load objects so that they are below eye level. If the load is too high, it is dangerous because the view is obscured. Also, there is a risk of overturning and injury because the load is likely to be unbalanced.

► Fig.45

When loading objects on the carrier, secure the objects with ropes and tie them down to the rope hooks.

► Fig.46

Dumping objects

⚠ CAUTION: Lift the carrier or bucket on flat and stable ground. Operation on unstable ground may cause an accident or injury.

You can dump the objects by lifting and tilting the carrier or bucket.

1. Stop the machine, and then lock the brakes.

NOTICE: It is recommended to block the front wheel to stabilize the machine.

2. Release the lock lever.

3. Stand at the side of the machine, hold the handle with one hand, and then lift and tilt the carrier or bucket by pushing up the carrier frame with the other hand.

► Fig.47

⚠ CAUTION: Hold the handle and carrier frame firmly, and work in a stable posture.

⚠ CAUTION: Keep the load to a minimum. If the load is large, do not try to lift the carrier. Reduce the load, and then lift the carrier.

⚠ CAUTION: After dumping the objects, be sure to lock the carrier or bucket.

MAINTENANCE

⚠ CAUTION: Always be sure to park the machine on flat ground and lock the brake lever before storage or attempting to perform inspections or maintenance.

⚠ CAUTION: If the rear wheels are installed, make sure that the rear wheel brake is locked before storage, inspections, or maintenance.

⚠ CAUTION: Always be sure that the lock key and battery cartridge are removed from the machine before storage, inspections, or maintenance.

⚠ CAUTION: Always remove the lock key when the machine is not in use. Store the lock key in a safe place out of reach of children.

Periodic checks

- Check that the bolts and nuts are tightened firmly.
► Fig.48
- Check that the carrier is locked when the lock lever is fully pulled down.
► Fig.49: 1. Carrier lock 2. Lock lever
- Check that the brake lever works properly.
► Fig.50: 1. Brake lever

⚠ WARNING: If the brake lever reaches the handle when you fully pull the lever, the brake is not working properly. Adjust the brake, or ask your local Makita Service Center for repairs.

- Check to see if the front wheel is not damaged or flat. Check that the air in the tire for the front wheel is sufficient.

Cleaning the machine

NOTICE: Never use gasoline, benzine, thinner, alcohol or the like. Discoloration, deformation or cracks may result.

NOTICE: Pour the water below the carrier or bucket when cleaning the machine with running water. Do not use the high pressure washer for cleaning.

Remove mud, dirt, and the like from the machine. Clean the machine with running water. After the cleaning, wipe the machine with a dry cloth.

Storage

Remove the lock key. Store the machine in a safe place out of the reach of children.

When storing the machine, the handles can be turned toward the front. Remove the short hexagonal bolts and shoulder bolts using the wrench included in the package. Turn the handles toward the outside, and then rotate the handles to the front. Tighten the shoulder bolts and short hexagonal bolts to fix the handles.

► Fig.51: 1. Shoulder bolt 2. Short hexagonal bolt

NOTICE: Do not tighten the short hexagonal bolts with excessive force. Tighten them with proper force so that the handles are stably fixed.

NOTICE: Do not pinch the cords with the bolts.

Adjusting the brake

CAUTION: If the rear wheels are installed, be sure to lock the rear wheel brake before adjusting the brake.

1. Remove the carrier or bucket, and then open the carrier frame.
▶ **Fig.52:** 1. Carrier frame
2. Pull the brake lever to release the lock button of the brake lever.
▶ **Fig.53:** 1. Lock button 2. Brake lever
3. Loosen the adjusting sleeve and fixing nut.
▶ **Fig.54:** 1. Adjusting sleeve 2. Fixing nut
4. Tighten the fixing nut only.
▶ **Fig.55:** 1. Fixing nut
5. Loosen the adjusting sleeve and fixing nut.
▶ **Fig.56:** 1. Adjusting sleeve 2. Fixing nut
6. Tighten the fixing nut only.
▶ **Fig.57:** 1. Fixing nut
7. Make sure that the brake lever is in the halfway position when it is fully pulled. If the brake lever is in the halfway position, go to step 13. If the brake lever is not in the halfway position, go to step 8.
▶ **Fig.58:** 1. Brake lever
8. Loosen the fixing nut only.
▶ **Fig.59:** 1. Fixing nut
9. Tighten the fixing nut and adjusting sleeve together.
▶ **Fig.60:** 1. Adjusting sleeve 2. Fixing nut
10. Loosen the fixing nut only.
▶ **Fig.61:** 1. Fixing nut
11. Tighten the fixing nut and adjusting sleeve together.
▶ **Fig.62:** 1. Adjusting sleeve 2. Fixing nut
12. Make sure that the brake lever is in the halfway position when it is fully pulled.
▶ **Fig.63:** 1. Brake lever
13. Fold the carrier frame, and then attach the carrier or bucket.
▶ **Fig.64:** 1. Carrier frame

Refilling the tire with air

Check that the air in the tire for the front wheel is not missing. If the air in the tire is insufficient, refill the tire with air using an inflator. The recommended tire pressure is 230 KPa.

▶ **Fig.65**

OPTIONAL ACCESSORIES

CAUTION: These accessories or attachments are recommended for use with your Makita tool specified in this manual. The use of any other accessories or attachments might present a risk of injury to persons. Only use accessory or attachment for its stated purpose.

CAUTION: Only use the Makita accessory or attachment for the machine. Use of any other accessory or attachment may result in serious personal injury.

If you need any assistance for more details regarding these accessories, ask your local Makita Service Center.

- Carrier
- Bucket
- Auxiliary wheels
- Makita genuine battery and charger

NOTE: Some items in the list may be included in the tool package as standard accessories. They may differ from country to country.

SPÉCIFICATIONS

Modèle :		DCU180
Dimensions (L x l x H)	Lorsque le chariot est installé	Pendant le fonctionnement : 1 315 mm x 1 060 mm x 900 mm Pendant le stockage : 1 110 mm x 820 mm x 820 mm
	Lorsque la cuve est installée	Pendant le fonctionnement : 1 310 mm x 820 mm x 900 mm Pendant le stockage : 1 110 mm x 820 mm x 820 mm
Vitesse de déplacement	Marche avant	1,5 ou 3,5 km/h
	Marche arrière	1,0 km/h
Rayon de braquage minimum		1 075 mm (diamètre extérieur en tournant avec la roue avant comme axe)
Aptitude en rampe		12°
Charge utile maximale		130 kg
Frein	Roue avant	Frein à disque avec câble
	Roue arrière	Fixée par pédale
Pneu	Roue avant	Pneu sans chambre à air
	Roue arrière	Pneu auto-obturant
Tension nominale		18 V CC
Poids net	Lorsque le chariot est installé	45 kg
	Lorsque la cuve est installée	39 à 40 kg

- Étant donné l'évolution constante de notre programme de recherche et de développement, les spécifications contenues dans ce manuel sont sujettes à modification sans préavis.
- Les spécifications et la batterie peuvent être différentes suivant les pays.
- Le poids peut être différent selon les accessoires, notamment la batterie. Les associations la plus légère et la plus lourde, conformément à la procédure EPTA 01/2014, sont indiquées dans le tableau.

Batterie et chargeur applicables



Batterie	BL1815N / BL1820 / BL1820B / BL1830 / BL1830B / BL1840 / BL1840B / BL1850 / BL1850B / BL1860B
Chargeur	DC18RC / DC18RD / DC18RE / DC18SD / DC18SE / DC18SF

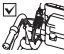






- Certains chargeurs et batteries répertoriés ci-dessus peuvent ne pas être disponibles selon la région où vous résidez.

⚠ AVERTISSEMENT : N'utilisez que les batteries et les chargeurs répertoriés ci-dessus. L'utilisation d'autres batteries et chargeurs peut provoquer des blessures et/ou un incendie.

Symboles

Vous trouverez ci-dessous les symboles utilisés pour l'appareil. Veuillez à comprendre leur signification avant toute utilisation.

	Lire le mode d'emploi.
	Pour les pays de l'Union européenne uniquement Ne jetez pas les appareils électriques ou les batteries avec vos ordures ménagères ! Conformément aux directives européennes relatives aux déchets d'équipements électriques et électroniques et aux piles et accumulateurs ainsi qu'aux déchets de piles et d'accumulateurs et leur mise en œuvre conformément aux lois nationales, les équipements électriques, les piles et les batteries en fin de vie doivent faire l'objet d'une collecte sélective et être confiés à une usine de recyclage respectueuse de l'environnement.

	Abaisser à fond le levier et vérifier que le chariot ou la cuve est verrouillé.
	Ne pas changer de sens sur des pentes raides.
	Charger et décharger les objets sur un sol plat.
	Charger les objets dans le chariot ou la cuve de manière équilibrée.
	Cette machine ne peut pas être utilisée sur une route publique.
	Ne pas utiliser la machine pour transporter des personnes.
	Ne pas exposer la machine à la pluie.



Pour annuler le signal sonore, libérer la gâchette et tirer le levier de frein.



Ne pas fixer le faisceau.

Utilisations

La machine est conçue pour le chargement et le transport d'objets avec l'aide du fonctionnement sur batterie.

Bruit

Niveau de bruit pondéré A typique, déterminé selon EN62841 :
Niveau de pression sonore (L_{pA}) : 70 dB (A) ou moins
Incertitude (K) : 3 dB (A)

Le niveau de bruit en fonctionnement peut dépasser 80 dB (A).

NOTE : La ou les valeurs d'émission de bruit déclarées ont été mesurées conformément à la méthode de test standard et peuvent être utilisées pour comparer les outils entre eux.

NOTE : La ou les valeurs d'émission de bruit déclarées peuvent aussi être utilisées pour l'évaluation préliminaire de l'exposition.

AVERTISSEMENT : Portez un serre-tête antibruit.

AVERTISSEMENT : L'émission de bruit lors de l'usage réel de l'outil électrique peut être différente de la ou des valeurs déclarées, suivant la façon dont l'outil est utilisé, particulièrement selon le type de pièce usinée.

AVERTISSEMENT : Les mesures de sécurité à prendre pour protéger l'utilisateur doivent être basées sur une estimation de l'exposition dans des conditions réelles d'utilisation (en tenant compte de toutes les composantes du cycle d'utilisation, comme par exemple le moment de sa mise hors tension, lorsqu'il tourne à vide et le moment de son déclenchement).

Vibrations

Valeur totale de vibrations (somme de vecteur triaxial) déterminée selon EN62841 :
Mode de travail : fonctionnement à vide
Émission de vibrations (a_{h}) : 2,5 m/s² ou moins
Incertitude (K) : 1,5 m/s²

NOTE : La ou les valeurs de vibration totales déclarées ont été mesurées conformément à la méthode de test standard et peuvent être utilisées pour comparer les outils entre eux.

NOTE : La ou les valeurs de vibration totales déclarées peuvent aussi être utilisées pour l'évaluation préliminaire de l'exposition.

AVERTISSEMENT : L'émission de vibrations lors de l'usage réel de l'outil électrique peut être différente de la ou des valeurs déclarées, suivant la façon dont l'outil est utilisé, particulièrement selon le type de pièce usinée.

AVERTISSEMENT : Les mesures de sécurité à prendre pour protéger l'utilisateur doivent être basées sur une estimation de l'exposition dans des conditions réelles d'utilisation (en tenant compte de toutes les composantes du cycle d'utilisation, comme par exemple le moment de sa mise hors tension, lorsqu'il tourne à vide et le moment de son déclenchement).

Déclaration de conformité CE

Pour les pays européens uniquement

La déclaration de conformité CE est fournie en Annexe A à ce mode d'emploi.

CONSIGNES DE SÉCURITÉ

Consignes de sécurité générales pour outils électriques

AVERTISSEMENT : Veuillez lire les consignes de sécurité, instructions, illustrations et spécifications qui accompagnent cet outil électrique. Le non-respect de toutes les instructions indiquées ci-dessous peut entraîner une électrocution, un incendie et/ou de graves blessures.

Conservez toutes les mises en garde et instructions pour référence ultérieure.

Le terme « outil électrique » dans les avertissements fait référence à l'outil électrique alimenté par le secteur (avec cordon d'alimentation) ou à l'outil électrique fonctionnant sur batterie (sans cordon d'alimentation).

Consignes de sécurité pour la brouette à batterie

1. **Pendant l'utilisation de la machine, toujours porter des chaussures antidérapantes et de protection.** Porter des bottes ou des chaussures de sécurité fermées et antidérapantes permet de réduire le risque de blessure.

2. **Avant de transporter des objets ou des matériaux, inspecter le parcours.** Se familiariser avec le parcours et vérifier qu'il est assez large pour conduire en toute sécurité la machine chargée permet de limiter le risque de perdre le contrôle de celle-ci.
 3. **Prendre des précautions extrêmes sur un terrain glissant, non compact et instable.** Des surfaces humides et glissantes, par exemple des pelouses mouillées, la neige ou la glace, et des terrains non compacts et instables, par exemple les surfaces couvertes de sable ou de gravier, peuvent entraîner une perte de traction de la machine, ce qui peut nuire à la direction, au freinage et à la stabilité.
 4. **Ne pas utiliser la machine sur des pentes trop raides.** Cela permet de réduire le risque de perte de contrôle, de dérapage et de chute, susceptibles de provoquer une blessure. Les pentes supérieures au degré maximum conseillé et les pentes en travers peuvent accroître le risque d'instabilité et peuvent nuire à la capacité de s'arrêter en toute sécurité.
 5. **En cas de travail dans des pentes, toujours avoir une bonne prise au sol, travailler perpendiculairement au sens de la pente, jamais vers le haut ou vers le bas, et être extrêmement attentif en cas de changement de direction.** Cela permet de réduire le risque de perte de contrôle, de dérapage et de chute, susceptibles de provoquer une blessure.
 6. **Partout où cela est possible, utiliser des zones planes pour arrêter la machine, la charger et la décharger, et ne jamais la laisser sans surveillance sur une pente.** La machine est plus instable lorsqu'elle est arrêtée sur une pente plutôt que sur une surface plane.
 7. **En cas d'arrêt sur une pente, mettre la machine face à la montée ou à la descente et bloquer les roues sans actionner le frein.** La machine est moins stable lorsqu'elle est perpendiculaire à la pente. Les roues non freinées, notamment les roues pivotantes, peuvent tourner et descendre la pente même lorsque le frein de stationnement de la roue avant est actionné.
 8. **Lorsque la machine est laissée sans surveillance, actionner le frein de stationnement une fois qu'elle se trouve dans une zone de stationnement sûre.** Le frein de stationnement évite les déplacements involontaires de la roue avant et améliore la stabilité.
 9. **Vérifier que les rampes sont propres, solides et sûres.** Pour réduire le risque de blessure, toutes les rampes doivent être exemptes de débris et assez solides pour supporter le poids des charges prévues. Elles doivent présenter un dispositif de blocage adéquat en dessous et sur les deux côtés afin d'éliminer les écarts et le déplacement latéral lorsque la machine est chargée. Toutes les rampes doivent être assez larges pour offrir une bonne prise au sol lorsque des charges sont transportées sur elles.
 10. **Vérifier que la trémie est abaissée et que les trémies et les portes d'évacuation sont solidement verrouillées lorsqu'il n'y a aucune évacuation de charge et lors du stockage de la machine.** Les trémies ou les portes d'évacuation non verrouillées peuvent s'ouvrir ou se déplacer inopinément.
 11. **Éviter de prolonger les rampes sans que des planches cale-pieds ou des grilles recouvrent les espaces ouverts.** Des espaces ouverts en hauteur et des tranchées ouvertes favorisent les chutes accidentelles et accroissent le risque de blessures graves. Utiliser des planches cale-pieds ou des grilles sur les rampes pour recouvrir les espaces ouverts, afin d'éviter que la machine ne quitte la rampe.
 12. **Vérifier que toutes les vis de verrouillage sont bien serrées avant utilisation.** Les vis de verrouillage sur les roues arrière et les parois avant et latérale du chariot ouvertes doivent être serrées pour éviter tout déplacement non désiré de ces pièces réglables de la machine.
 13. **Ne jamais utiliser la machine en condition de surcharge.** Vérifier que la machine offre une capacité suffisante pour les objets ou les matériaux qui doivent être transportés. Des charges excessives rendront la machine plus difficile à manœuvrer et à arrêter, tout en augmentant les temps d'arrêt et les distances et en accroissant le risque d'instabilité.
 14. **Ne jamais utiliser la machine en condition d'empilement excessif.** Empiler des matériaux au-dessus du bord du plateau ou au-delà des côtés du plateau peut entraîner un déséquilibre de la machine et une impossibilité de la contrôler.
 15. **Utiliser des conteneurs et des attaches pour fixer les charges.** Des charges lâches et/ou mal fixées ont plus de chances de se déplacer, ce qui peut entraîner une perte de stabilité et de contrôle.
 16. **Toujours tenir fermement les poignées.** Une perte de contrôle peut accroître le risque de blessures personnelles.
 17. **Retirer la clé de sécurité en cas de non-utilisation de la machine.** La clé de sécurité permet d'empêcher une utilisation non désirée de la machine sous tension, par exemple par des enfants ou des personnes non formées ou non autorisées. Sans la clé, il est impossible de mettre la machine sous tension.
 18. **Cette machine ne peut pas être utilisée sur des routes publiques.** L'utilisation de la brouette sur une route publique est illégale et, outre des blessures corporelles, pourrait entraîner des amendes des autorités locales.
 19. **Utiliser une plaque solide avec fonction antidérapante et de prévention de la division pendant le chargement et/ou le déchargement de la machine pour le transport, ou le déplacement de la machine entre différents niveaux. Veiller à ce que l'inclinaison de la plaque ne dépasse pas les 12°, et utiliser la machine lentement et avec précaution. Un fonctionnement instable et rapide peut entraîner un renversement et/ou une chute.**
 20. **Ne pas démonter, réparer ou modifier la machine.**
- Utilisation**
1. **Pendant l'utilisation de la machine, rester derrière celle-ci et tenir fermement les poignées.**
 2. **Ne pas utiliser la machine tout en étant présent sur celle-ci.**

3. **Interdire à quiconque de stationner sur la machine.**
4. **Pendant l'utilisation de la machine en marche arrière et à reculons, regarder derrière soi et veiller à ne pas glisser ou trébucher.**
5. **Ne pas utiliser la machine en cas de faible visibilité car il existe un risque de heurter des obstacles.**
6. **En cas d'utilisation de la machine sur un sol inégal, réduire la vitesse et faire preuve de prudence.**
7. **En cas d'utilisation de la machine, éviter le sol mou afin d'empêcher tout renversement dû à l'effondrement du bas-côté du parcours.**
8. **Ne pas utiliser la machine sur des pentes montantes supérieures à 12°.**
9. **En cas de découverte d'une anomalie, arrêter la machine sur un sol plat. Avant toute inspection de la machine, tirer le levier de frein et verrouiller le frein, puis mettre la machine hors tension.**
10. **Avant d'utiliser la machine, veiller à ce que le levier de verrouillage soit tiré à fond et totalement verrouillé.** Si le verrouillage est incomplet, il existe un risque d'accident ou de blessure car le chariot ou la cuve risque de s'incliner et les objets de tomber dans une pente descendante.
11. **Veiller à ne pas emmêler les cordons avec la charge ou les obstacles.**

Utilisation sur des pentes

1. **Ne pas traverser les pentes.**
2. **Veiller à réduire la vitesse et faire preuve de prudence.**
3. **Faire preuve de prudence en cas de départ ou d'arrêt de la machine sur une pente.**
4. **Parce que les charges sont moins stables sur les pentes, les sécuriser fermement à l'aide de cordes.**
5. **Lorsque la machine devient instable en raison de l'état de la route, maintenir la charge à son minimum.**
6. **Lorsque la charge masque la vue sur les pentes, réduire sa hauteur au minimum.**
7. **Ne jamais stationner la machine sur des pentes raides. Stationner la machine sur un sol plat, tirer le levier de frein et verrouiller le frein, puis mettre la machine hors tension.**
8. **Ne pas changer de sens ou de mode de vitesse sur des pentes raides.**
9. **Ne pas libérer la gâchette sur des pentes montantes.** La machine risque de partir en marche arrière et de provoquer un accident.
10. **Vérifier que la batterie est suffisamment pleine avant d'utiliser la machine sur un terrain en pente. Si la batterie restante est insuffisante, la charger ou la remplacer par une batterie chargée.**

Chargement d'objets

1. **Ne pas surcharger la machine d'objets.** Lors du chargement d'objets, veiller à suivre les instructions et les limites de chargement qui figurent dans le manuel.
2. **Sécuriser les objets à l'aide de cordes.**

3. **Charger les objets dans le chariot ou la cuve.** Si les objets dépassent du chariot ou de la cuve, il existe un risque d'accidents dû à la chute d'objets ou au contact avec des obstacles, par exemple des murs.
4. **Veiller à ce que les objets chargés soient situés au-dessous de la hauteur des yeux.** Une charge trop haute est dangereuse car elle masque la vue. Il existe également un risque de renversement et de blessure car la charge risque d'être déséquilibrée.
5. **Charger les objets dans le chariot ou la cuve de manière équilibrée.** Si les objets ne sont pas chargés de manière équilibrée, il existe un risque de renversement et de blessure car la charge risque d'entraîner un déséquilibre.
6. **Avant de charger les objets ou d'utiliser la machine, veiller à ce que le levier de verrouillage soit tiré à fond et totalement verrouillé.**
7. **Veiller à charger d'abord les objets lourds pour maintenir l'équilibre.**
8. **Ne pas déployer les ridelles avant et latérales sur des pentes raides.** Déployer les ridelles latérales lorsque des objets légers sont chargés.
9. **En cas de déploiement des ridelles avant et latérales, ne pas les déployer au-delà des limites. Veiller à déployer les ridelles latérales de sorte que les côtés droit et gauche soient de la même longueur et que les objets soient chargés de manière équilibrée.**
10. **Charger et décharger les objets sur un sol plat.**
11. **En cas de levage et d'inclinaison du chariot ou de la cuve, tenir fermement les poignées et le cadre, et travailler dans une position stable.**

Entretien

1. **Veiller à toujours stationner la machine sur un sol plat et verrouiller le levier de frein avant de stocker la machine ou d'essayer d'en effectuer une inspection ou un entretien.**

CONSERVEZ CES INSTRUCTIONS.

⚠️ AVERTISSEMENT : NE vous laissez PAS tromper (au fil d'une utilisation répétée) par un sentiment d'aisance et de familiarité avec le produit, en négligeant le respect rigoureux des consignes de sécurité qui accompagnent le produit en question. La MAUVAISE UTILISATION de l'outil ou l'ignorance des consignes de sécurité indiquées dans ce mode d'emploi peut entraîner de graves blessures.

Consignes de sécurité importantes pour la batterie

1. **Avant d'utiliser la batterie, lisez toutes les instructions et précautions relatives (1) au chargeur de batterie, (2) à la batterie, et (3) au produit utilisant la batterie.**
2. **Ne démontez pas la batterie.**
3. **Cessez immédiatement l'utilisation si le temps de fonctionnement devient excessivement court. Il y a un risque de surchauffe, de brûlures, voire d'explosion.**

4. Si l'électrolyte pénètre dans vos yeux, rincez-les à l'eau claire et consultez immédiatement un médecin. Il y a risque de perte de la vue.
5. **Ne court-circuitez pas la batterie :**
 - (1) Ne touchez les bornes avec aucun matériau conducteur.
 - (2) Évitez de ranger la batterie dans un conteneur avec d'autres objets métalliques, par exemple des clous, des pièces de monnaie, etc.
 - (3) N'exposez pas la batterie à l'eau ou à la pluie.
6. Ne rangez pas l'outil et la batterie dans un endroit où la température risque d'atteindre ou de dépasser 50 °C.
7. Ne jetez pas la batterie au feu même si elle est sérieusement endommagée ou complètement épuisée. La batterie peut exploser au contact du feu.
8. Évitez de laisser tomber ou de cogner la batterie.
9. N'utilisez pas la batterie si elle est endommagée.
10. **Les batteries au lithium-ion contenues sont soumises aux exigences de la législation sur les marchandises dangereuses.**

Lors du transport commercial par des tierces parties ou des transitaires par exemple, des exigences spécifiques en matière d'étiquetage et d'emballage doivent être respectées.

Pour la préparation de l'article expédié, il est nécessaire de consulter un expert en matériau dangereux. Veuillez également respecter les réglementations nationales susceptibles d'être plus détaillées.

Recouvrez les contacts exposés avec du ruban adhésif ou du ruban de masquage et emballez la batterie de telle sorte qu'elle ne puisse pas bouger dans l'emballage.

11. **Suivez les réglementations locales en matière de mise au rebut des batteries.**
12. **Utilisez les batteries uniquement avec les produits spécifiés par Makita.** L'insertion de batteries dans des produits non conformes peut provoquer un incendie, une chaleur excessive, une explosion ou une fuite de l'électrolyte.

CONSERVEZ CES INSTRUCTIONS.

⚠ ATTENTION : N'utilisez que des batteries Makita d'origine. L'utilisation de batteries de marque autre que Makita ou de batteries modifiées peut provoquer l'explosion des batteries, ce qui présente un risque d'incendie, de dommages matériels et corporels. Cela annulera également la garantie Makita pour l'outil et le chargeur Makita.

Conseils pour assurer la durée de vie optimale de la batterie

1. Chargez la batterie avant qu'elle ne soit complètement déchargée. Arrêtez toujours l'outil et rechargez la batterie quand vous remarquez que la puissance de l'outil diminue.
2. Ne rechargez jamais une batterie complètement chargée. La surcharge réduit la durée de service de la batterie.
3. Chargez la batterie à une température ambiante comprise entre 10 °C et 40 °C. Avant de charger une batterie chaude, laissez-la refroidir.
4. Rechargez la batterie si elle est restée inutilisée pendant une période prolongée (plus de six mois).

DESCRIPTION DES PIÈCES

Description des pièces (lorsque le chariot est installé)

► Fig.1

1	Tableau de commande	2	Poignée
3	Gâchette	4	Boîtier de batterie
5	Levier de frein de la roue avant	6	Roue arrière
7	Pédale de frein de la roue arrière	8	Lampe
9	Roue avant	10	Chariot

Description des pièces (lorsque la cuve est installée)

► Fig.2

1	Tableau de commande	2	Poignée
3	Gâchette	4	Boîtier de batterie
5	Levier de frein de la roue avant	6	Roue arrière
7	Pédale de frein de la roue arrière	8	Lampe
9	Roue avant	10	Cuve

ASSEMBLAGE

ATTENTION : Toujours vérifier que la machine est hors tension et que la batterie est retirée avant d'exécuter un travail sur la machine.

Montage de l'unité principale

1. Extraire l'unité de base et les poignées du carton d'emballage.
► Fig.3

REMARQUE : Veiller à extraire l'unité de base et les poignées ensemble, pour éviter d'exercer une force excessive sur les cordons.

2. Placer le matériau d'emballage sous le côté arrière de l'unité de base.
► Fig.4: 1. Matériau d'emballage
3. Insérer les roues arrière dans le cadre.
► Fig.5: 1. Roue arrière
► Fig.6: 1. Roue arrière

NOTE : Les pieds d'appui peuvent être fixés à la place des roues arrière.

4. Fixer la rondelle à ressort et la rondelle au boulon à six pans court, puis les serrer ensemble à l'aide de la clé présente dans le carton d'emballage.
► Fig.7: 1. Boulon à six pans court 2. Rondelle à ressort 3. Rondelle
► Fig.8

REMARQUE : Veiller à utiliser les boulons à six pans courts pour serrer les roues arrière.

REMARQUE : Fixer les roues arrière à la même position des deux côtés.

5. Soulever les poignées, puis les insérer dans l'unité de base.
► Fig.9

REMARQUE : Ne pas permettre aux cordons d'entrer dans la zone « A » illustrée sur la figure. Les objets longs risquent de s'emmêler avec les cordons et de provoquer des accidents.

REMARQUE : Ne pas appliquer une force excessive sur les cordons pendant le levage et l'insertion des poignées.

REMARQUE : Veiller à soulever les poignées avec les deux mains.

6. Ouvrir le cadre du chariot vers l'avant.
► Fig.10: 1. Cadre du chariot
7. Déployer les poignées, insérer les boulons à six pans longs dans l'unité de base, puis serrer les écrous à l'aide de la clé présente dans le carton d'emballage.
► Fig.11: 1. Boulon à six pans long
8. Serrer les boulons épaules à partir de l'arrière à l'aide de la clé présente dans le carton d'emballage.
► Fig.12: 1. Boulon épaule
9. Serrer les boulons à six pans courts des deux côtés à l'aide de la clé présente dans le carton d'emballage pour fixer les poignées.
► Fig.13: 1. Boulon à six pans court

REMARQUE : Ne pas serrer les boulons à six pans courts en appliquant une force excessive. Les serrer en appliquant une force appropriée de sorte que les poignées soient fixées de manière stable.

REMARQUE : Ne pas pincer les cordons avec les boulons.

10. Fixer les cordons avec les brides de fixation.
► Fig.14: 1. Bride de fixation
11. Replier le cadre du chariot.
► Fig.15: 1. Cadre du chariot
12. Appuyer sur le bouton de verrouillage tout en tirant sur le levier de frein pour verrouiller le frein.
► Fig.16: 1. Bouton de verrouillage 2. Levier de frein

ATTENTION : Si les roues arrière sont installées, appuyer sur la pédale de frein de la roue arrière pour verrouiller celle-ci.

13. Accrocher le verrouillage du chariot, puis tirer le levier de frein pour verrouiller le chariot.
► Fig.17: 1. Verrouillage du chariot 2. Levier de verrouillage

REMARQUE : Vérifier que le levier de verrouillage est bien verrouillé.

REMARQUE : Ne pas pincer les cordons avec le levier de verrouillage.

NOTE : En cas de fixation des pieds d'appui à la place des roues arrière, retirer les roues arrière des cadres, puis fixer les pieds d'appui aux cadres.

- Fig.18: 1. Roue arrière 2. Pied d'appui

Assemblage et installation du chariot

Accessoire en option

1. Retirer le chariot du carton d'emballage, fixer les ridelles latérales au cadre de base, puis serrer les écrous à ailettes pour fixer les ridelles.
► Fig.19: 1. Écrou à ailettes
2. Placer le chariot sur l'unité de base, puis insérer les boulons à six pans et les rondelles dans les cadres en commençant par le haut. Serrer les rondelles, les rondelles à ressort et les écrous à papillon en commençant par le bas pour fixer le chariot.
► Fig.20: 1. Boulon à six pans long 2. Boulon à six pans court 3. Rondelle 4. Rondelle à ressort 5. Écrou à papillon

REMARQUE : Utiliser les longs boulons pour l'avant, et les courts pour l'arrière.

Installation de la cuve

Accessoire en option

- Placer la cuve sur l'unité de base, insérer les boulons à six pans dans les cadres, puis serrer les rondelles, les rondelles à ressort et les écrous à papillon en commençant par le bas pour fixer la cuve.
- Fig.21: 1. Boulon à six pans 2. Rondelle 3. Rondelle à ressort 4. Écrou à papillon

DESCRIPTION DU FONCTIONNEMENT

Insertion ou retrait de la batterie

⚠ ATTENTION : Toujours mettre hors tension la machine avant d'installer ou de retirer la batterie.

⚠ ATTENTION : Veillez à verrouiller le couvercle de batterie avant toute utilisation. Autrement, la boue, les saletés ou l'eau risquent d'endommager le produit ou la batterie.

⚠ ATTENTION : Toujours installer la batterie à fond jusqu'à ce que l'indicateur rouge soit invisible. Sinon, elle risque de tomber accidentellement de la machine, ce qui peut blesser l'opérateur ou une autre personne.

⚠ ATTENTION : Ne forcez pas pour insérer la batterie. Si elle ne glisse pas facilement, c'est que vous ne l'insérez pas correctement.

⚠ ATTENTION : Ne pas utiliser la batterie en cas de hautes températures. Lorsque la batterie est utilisée en cas de hautes températures, la machine s'arrête automatiquement avant qu'un bref signal sonore soit émis, ce qui peut entraîner une blessure.

Installation de la batterie

1. Actionner le levier de verrouillage, puis ouvrir le couvercle du boîtier de batterie.
▶ **Fig.22:** 1. Levier de verrouillage 2. Couvercle
2. Aligner la languette de la batterie sur la fente du boîtier de batterie, puis faire coulisser la batterie jusqu'à ce qu'elle s'enclenche en émettant un petit clic. Si l'indicateur rouge sur le côté supérieur du bouton est visible, c'est que la batterie n'est pas totalement verrouillée.
▶ **Fig.23:** 1. Batterie
3. Insérez à fond la clé de sécurité à l'emplacement indiqué sur la figure.
▶ **Fig.24:** 1. Clé de sécurité

NOTE : Si la clé de verrouillage n'est pas totalement insérée, la machine ne fonctionne pas.

4. Fermer le couvercle du boîtier de batterie, puis actionner le levier de verrouillage.
▶ **Fig.25:** 1. Levier de verrouillage 2. Couvercle

Retrait de la batterie

1. Actionner le levier de verrouillage, puis ouvrir le couvercle du boîtier de batterie.
2. Extraire la batterie du boîtier de batterie tout en actionnant le bouton situé à l'avant de la batterie.
▶ **Fig.26:** 1. Bouton
3. Tirez sur la clé de sécurité pour la retirer.
4. Fermer le couvercle du boîtier de batterie, puis actionner le levier de verrouillage.

Système de protection de la machine/batterie

La machine est dotée d'un système de protection de la machine/batterie. Ce système met automatiquement hors tension le moteur pour accroître l'autonomie de la machine et de la batterie.

La machine s'arrête automatiquement pendant le fonctionnement si la machine ou la batterie est dans l'un des états suivants. Un bref signal sonore est émis avant que la machine s'arrête automatiquement. Les témoins de la batterie et les témoins DEL clignotent tandis que le signal sonore est émis.

Protection contre la surcharge

Lorsque la machine est utilisée d'une façon qui entraîne un appel de courant anormalement élevé, elle s'arrête automatiquement sans aucune indication. Dans ce cas, mettre hors tension la machine, supprimer la cause de la surcharge, puis remettre la machine sous tension pour redémarrer.

Protection contre la surchauffe

Lorsque la machine est en surchauffe, elle s'arrête automatiquement. Laisser la machine refroidir avant de la remettre sous tension. La protection contre la surchauffe devrait fonctionner dans un environnement aux températures élevées.

Protection contre la décharge totale de la batterie

Lorsque la capacité de la batterie devient faible, elle s'arrête automatiquement. Si la machine ne fonctionne pas même lorsque les boutons sont actionnés, retirer la batterie et la charger.

Commutation de la batterie

- ▶ **Fig.27:** 1. Commutateur de sélection de batterie
- Il est possible d'installer jusqu'à deux batteries dans le boîtier de batterie, bien que la machine n'en utilise qu'une pour fonctionner. Avant d'utiliser la machine, sélectionner la batterie utilisée pour alimenter la machine en appuyant sur le numéro sur le commutateur de sélection de batterie.

REMARQUE : Si une seule batterie est installée dans le boîtier de batterie, veiller à sélectionner le boîtier de batterie dans lequel la batterie est installée.

Indication de la capacité de batterie restante sur le boîtier de batterie

⚠ ATTENTION : Avant de vérifier la capacité restante des batteries ou de commuter la batterie, veiller à arrêter la machine.

- ▶ **Fig.28:** 1. Témoin de la batterie 2. Bouton de vérification

Appuyez sur le bouton de vérification pour indiquer la charge restante de la batterie. Les témoins de batterie correspondent à chaque batterie.

Statut du témoin de la batterie		Capacité restante de la batterie
Allumé	Éteint	
		50 % à 100 %
		20 % à 50 %
		0 % à 20 %
		Batterie non installée

ATTENTION : Lorsque la capacité de la batterie faiblit, un bref signal sonore est émis. Si la machine continue d'être utilisée à une faible capacité de batterie, un long signal sonore est émis et la machine s'arrête automatiquement. Lorsque le bref signal sonore est émis, tirer le levier de frein et verrouiller le frein, puis commuter la batterie sur une batterie chargée ou charger la batterie. Lorsque la capacité restante de la batterie devient faible, la machine s'arrête brusquement et automatiquement, et cela peut entraîner une blessure.

NOTE : Si la gâchette continue d'être actionnée même lorsque le bref signal sonore est émis, la machine s'arrête automatiquement. Une fois que la machine s'arrête automatiquement, le signal sonore se poursuit et le frein de soutien (frein électrique) est activé. Pour annuler le signal sonore et libérer le frein de soutien, tirer le levier de frein et libérer la gâchette. Ne pas forcer sur la machine sans libérer le frein de soutien. Après avoir libéré le frein de soutien, il est possible de déterminer quel système de protection de batterie fonctionne en vérifiant l'état du témoin de la batterie.

- **Fig.29:** 1. Allumé 2. Clignotant 3. Éteint
 4. Protection contre la surchauffe
 5. Protection contre la décharge accélérée
 6. Protection contre la surcharge

ATTENTION : Si le signal sonore est émis pendant l'utilisation de la machine sur une pente ou que la machine s'arrête automatiquement sur une pente, la déplacer dans un endroit sûr, verrouiller le frein, puis commuter la batterie sur une batterie chargée ou charger la batterie.

Si la charge est importante et que le signal sonore est émis pendant l'utilisation de la machine sur une pente, ou que la machine s'arrête automatiquement sur une pente, ne déplacer pas la machine en forçant. Verrouiller le frein, faire attention à la sécurité et commuter la batterie sur une batterie chargée, puis déplacer la machine dans un endroit sûr. Réduire la charge avant de réutiliser la machine.

NOTE : Il est possible de vérifier la capacité restante de la batterie même lorsque la clé de verrouillage n'est pas insérée.

Indication de la charge restante de la batterie

Uniquement pour les batteries avec voyant lumineux

► **Fig.30:** 1. Témoins 2. Bouton de vérification

Appuyez sur le bouton de vérification sur la batterie pour indiquer la charge restante de la batterie. Les témoins s'allument pendant quelques secondes.

Témoins			Charge restante
Allumé	Éteint	Clignotant	
			75 % à 100 %
			50 % à 75 %
			25 % à 50 %
			0 % à 25 %
			Chargez la batterie.
			Anomalie possible de la batterie.

NOTE : Selon les conditions d'utilisation et la température ambiante, l'indication peut être légèrement différente de la capacité réelle.

Tableau de commande

► **Fig.31:** 1. Interrupteur d'alimentation 2. Bouton marche avant/marche arrière 3. Bouton de vitesse

Pour mettre la machine sous tension, appuyer sur l'interrupteur d'alimentation pendant quelques secondes. Appuyer sur le bouton marche avant/marche arrière pour commuter entre le mode marche avant et le mode marche arrière. Appuyer sur le bouton de vitesse pour commuter entre la vitesse basse et la vitesse élevée. Lorsque la machine est mise sous tension, le mode marche avant et la vitesse basse sont activés. Pour mettre la machine hors tension, appuyer sur l'interrupteur d'alimentation pendant quelques secondes.

NOTE : Le bouton marche avant/marche arrière n'est pas disponible lorsque la gâchette est actionnée.

NOTE : Un bref signal sonore est émis lorsque la machine est utilisée en marche arrière.

NOTE : Le bouton de vitesse n'est pas disponible lorsque la machine est utilisée en marche arrière.

Action de commutation et de freinage

⚠ AVERTISSEMENT : Avant d'installer la batterie dans la machine, toujours vérifier que la gâchette s'actionne correctement et repasse en position d'arrêt lorsqu'elle est relâchée.

Pour démarrer la machine, tirer la gâchette. Pour arrêter la machine, libérer la gâchette et tirer le levier de frein. Pour verrouiller le levier de frein, appuyer sur le bouton de verrouillage tout en tirant le levier de frein. Pour libérer le verrouillage, tirer le levier de frein.

► Fig.32: 1. Gâchette

► Fig.33: 1. Bouton de verrouillage 2. Levier de frein

Frein de la roue arrière

Les roues arrière sont pourvues de freins. Appuyer sur les pédales de frein vers l'avant pour verrouiller les freins. Pour libérer les freins, appuyer sur les pédales de frein vers l'arrière.

► Fig.34: 1. Pédale

Allumage des lampes avant

Appuyer sur le bouton des lampes sur le boîtier de batterie pour allumer les lampes. Pour éteindre les lampes, appuyer à nouveau sur le bouton des lampes.

► Fig.35: 1. Bouton des lampes 2. Lampe

NOTE : Les lampes s'éteignent si la machine est laissée sans surveillance pendant environ 10 minutes.

NOTE : Les lampes s'éteignent lorsque la machine est mise hors tension.

NOTE : Il est possible d'allumer les lampes même si la clé de verrouillage n'est pas insérée.

Réglage de la hauteur des poignées

Retirer les boulons à six pans courts et les boulons épaulés à l'aide de la clé présente dans le carton d'emballage, puis régler la hauteur de la poignée. La hauteur peut être réglée sur trois niveaux. Serrer les boulons épaulés et les boulons à six pans courts pour fixer la poignée.

► Fig.36: 1. Boulon à six pans court 2. Boulon épaulé

REMARQUE : Fixer les poignées gauche et droite à la même hauteur.

REMARQUE : Ne pas serrer les boulons à six pans courts en appliquant une force excessive. Les serrer en appliquant une force appropriée de sorte que les poignées soient fixées de manière stable.

REMARQUE : Ne pas pincer les cordons avec les boulons.

Réglage de la largeur du chariot

Desserrer les 4 écrous à ailettes, puis faire coulisser les ridelles latérales. Serrer les écrous à ailettes pour fixer les ridelles latérales.

► Fig.37: 1. Écrou à ailettes 2. Ridelle

⚠ ATTENTION : Ne pas faire coulisser les ridelles au-delà de la marque de limite.

► Fig.38

UTILISATION

Utilisation de la machine

REMARQUE : La roue avant de cette machine est pilotée par batterie. Cette machine offre une assistance dans les activités de transport.

REMARQUE : Veiller à insérer la clé de verrouillage dans le boîtier de batterie avant utilisation. Si la clé de verrouillage n'est pas insérée, un bref signal sonore est émis lorsque la gâchette est tirée. Le signal sonore s'arrête en libérant la gâchette et en tirant le levier de frein.

Avant d'utiliser la machine, vérifier que le levier de frein fonctionne correctement.

► Fig.39: 1. Levier de frein

⚠ AVERTISSEMENT : Si le levier de frein entre en contact avec la poignée lorsqu'il est tiré à fond, c'est que le frein fonctionne mal. Régler le frein, ou solliciter une réparation auprès du Centre de service Makita.

1. Sélectionner la batterie à l'aide du commutateur de sélection de batterie.

2. Pour mettre la machine sous tension, appuyer sur l'interrupteur d'alimentation sur le tableau de commande pendant quelques secondes.

► Fig.40: 1. Interrupteur d'alimentation

3. Tirer le levier de frein pour le déverrouiller.

► Fig.41: 1. Bouton de verrouillage 2. Levier de frein

NOTE : Libérer le frein de la roue arrière si les roues arrière sont installées.

4. Tenir fermement les poignées avec les deux mains.

► Fig.42

5. Tirer la gâchette.

► Fig.43: 1. Gâchette

Chargement d'objets

⚠ ATTENTION : Avant de charger des objets sur la machine, vérifier qu'elle est hors tension et que le levier de frein est verrouillé.

⚠ ATTENTION : Si les roues arrière sont installées, vérifier que le frein de la roue arrière est verrouillé avant de charger des objets sur la machine.

⚠ ATTENTION : Avant de charger des objets sur la machine, vérifier que le chariot ou la cuve est verrouillé.

⚠ ATTENTION : Veiller à charger les objets dans le chariot ou la cuve. Si des objets dépassent du chariot ou de la cuve, ils risquent de tomber ou de s'affaisser s'ils touchent des obstacles.

► Fig.44

⚠ ATTENTION : Veiller à charger les objets de sorte qu'ils soient situés au-dessous de la hauteur des yeux. Une charge trop haute est dangereuse car elle masque la vue. Il existe également un risque de renversement et de blessure car la charge risque d'être déséquilibrée.

► Fig.45

En cas de chargement d'objets sur le chariot, les fixer avec des cordes et attacher celles-ci aux crochets à cordes.

► Fig.46

Déchargement d'objets

⚠ ATTENTION : Soulever le chariot ou la cuve sur un sol plat et stable. Une utilisation sur un sol instable peut entraîner un accident ou une blessure.

Il est possible de décharger les objets en soulevant et en inclinant le chariot ou la cuve.

1. Arrêter la machine, puis verrouiller les freins.

REMARQUE : Il est conseillé de bloquer la roue avant pour stabiliser la machine.

2. Libérer le levier de verrouillage.

3. Stationner sur le côté de la machine, tenir la poignée d'une main, puis soulever et incliner le chariot ou la cuve en soulevant le cadre du chariot avec l'autre main.

► Fig.47

⚠ ATTENTION : Tenir fermement la poignée et le cadre du chariot, et travailler dans une position stable.

⚠ ATTENTION : Réduire la charge au minimum. Si la charge est lourde, ne pas essayer de soulever le chariot. Réduire la charge, puis soulever le chariot.

⚠ ATTENTION : Une fois les objets déchargés, veiller à verrouiller le chariot ou la cuve.

ENTRETIEN

⚠ ATTENTION : Veiller à toujours stationner la machine sur un sol plat et verrouiller le levier de frein avant de stocker la machine ou d'essayer d'en effectuer une inspection ou un entretien.

⚠ ATTENTION : Si les roues arrière sont installées, vérifier que le frein de la roue arrière est verrouillé avant de stocker la machine, de l'inspecter ou d'en assurer l'entretien.

⚠ ATTENTION : Toujours vérifier que la clé de verrouillage et la batterie sont retirées de la machine avant de la stocker, de l'inspecter ou d'en assurer l'entretien.

⚠ ATTENTION : Toujours retirer la clé de verrouillage en cas de non-utilisation de la machine. Stocker la clé de verrouillage en lieu sûr, hors de portée des enfants.

Vérifications périodiques

• Vérifier que les boulons et les écrous sont fermement serrés.

► Fig.48

• Vérifier que le chariot est verrouillé lorsque le levier de verrouillage est totalement actionné.

► Fig.49: 1. Verrouillage du chariot 2. Levier de verrouillage

• Vérifier que le levier de frein fonctionne correctement.

► Fig.50: 1. Levier de frein

⚠ AVERTISSEMENT : Si le levier de frein entre en contact avec la poignée lorsqu'il est tiré à fond, c'est que le frein fonctionne mal. Régler le frein, ou solliciter une réparation auprès du Centre de service Makita.

• Vérifier que la roue avant n'est pas détériorée ou percée. Vérifier que le pneu de la roue avant est suffisamment gonflé.

Nettoyage de la machine

REMARQUE : N'utilisez jamais d'essence, benzine, diluant, alcool ou autre produit similaire. Cela risquerait de provoquer la décoloration, la déformation ou la fissuration de l'outil.

REMARQUE : Verser de l'eau sous le chariot ou la cuve pendant le nettoyage de la machine avec de l'eau courante. Ne pas utiliser de nettoyeur haute pression pour le nettoyage.

Éliminer la boue, la saleté, etc. de la machine. Nettoyer la machine à l'eau courante. Après le nettoyage, essuyer la machine avec un chiffon sec.

Stockage

Retirer la clé de verrouillage. Stocker la machine en lieu sûr, hors de portée des enfants.

Pendant le stockage de la machine, il est possible de retourner les poignées vers l'avant. Retirer les boulons à six pans courts et les boulons épaules à l'aide de la clé présente dans le carton d'emballage. Retourner les poignées vers l'extérieur, puis les faire pivoter vers l'avant. Serrer les boulons épaules et les boulons à six pans courts pour fixer les poignées.

► **Fig.51:** 1. Boulon épaule 2. Boulon à six pans court

REMARQUE : Ne pas serrer les boulons à six pans courts en appliquant une force excessive.

Les serrer en appliquant une force appropriée de sorte que les poignées soient fixées de manière stable.

REMARQUE : Ne pas pincer les cordons avec les boulons.

Réglage du frein

⚠ ATTENTION : Si les roues arrière sont installées, vérifier que le frein de la roue arrière est verrouillé avant de régler le frein.

1. Retirer le chariot ou la cuve, puis ouvrir le cadre du chariot.

► **Fig.52:** 1. Cadre du chariot

2. Tirer le levier de frein pour libérer le bouton de verrouillage du levier de frein.

► **Fig.53:** 1. Bouton de verrouillage 2. Levier de frein

3. Desserrer le manchon de réglage et l'écrou de serrage.

► **Fig.54:** 1. Manchon de réglage 2. Écrou de serrage

4. Ne serrer que l'écrou de serrage.

► **Fig.55:** 1. Écrou de serrage

5. Desserrer le manchon de réglage et l'écrou de serrage.

► **Fig.56:** 1. Manchon de réglage 2. Écrou de serrage

6. Ne serrer que l'écrou de serrage.

► **Fig.57:** 1. Écrou de serrage

7. Vérifier que le levier de frein est en position intermédiaire lorsqu'il est tiré à fond. Si le levier de frein est en position intermédiaire, aller à l'étape 13. Si le levier de frein n'est pas en position intermédiaire, aller à l'étape 8.

► **Fig.58:** 1. Levier de frein

8. Desserrer uniquement l'écrou de serrage.

► **Fig.59:** 1. Écrou de serrage

9. Serrer ensemble l'écrou de serrage et le manchon de réglage.

► **Fig.60:** 1. Manchon de réglage 2. Écrou de serrage

10. Desserrer uniquement l'écrou de serrage.

► **Fig.61:** 1. Écrou de serrage

11. Serrer ensemble l'écrou de serrage et le manchon de réglage.

► **Fig.62:** 1. Manchon de réglage 2. Écrou de serrage

12. Vérifier que le levier de frein est en position intermédiaire lorsqu'il est tiré à fond.

► **Fig.63:** 1. Levier de frein

13. Plier le cadre du chariot, puis fixer le chariot ou la cuve.

► **Fig.64:** 1. Cadre du chariot

Gonflage du pneu

Vérifier que le pneu de la roue avant n'est pas dégonflé. Si le pneu n'est pas suffisamment gonflé, le gonfler au moyen d'un gonfleur. La pression de gonflage recommandée est 230 kPa.

► **Fig.65**

ACCESSOIRES EN OPTION

⚠ ATTENTION : Ces accessoires ou pièces complémentaires sont recommandés pour l'utilisation avec l'outil Makita spécifié dans ce mode d'emploi. L'utilisation de tout autre accessoire ou pièce complémentaire peut comporter un risque de blessure. N'utilisez les accessoires ou pièces complémentaires qu'aux fins auxquelles ils ont été conçus.

⚠ ATTENTION : Utiliser uniquement des accessoires ou fixations Makita conçus pour la machine. L'utilisation de tout autre accessoire ou fixation peut entraîner de graves blessures.

Pour obtenir plus de détails sur ces accessoires, contactez votre centre d'entretien local Makita.

- Chariot
- Cuve
- Roues auxiliaires
- Batterie et chargeur de marque Makita

NOTE : Il se peut que certains éléments de la liste soient compris dans l'emballage de l'outil en tant qu'accessoires standard. Ils peuvent varier d'un pays à l'autre.

TECHNISCHE DATEN

Modell:		DCU180
Abmessungen (L x B x H)	Bei montiertem Träger	Während des Betriebs: 1.315 mm x 1.060 mm x 900 mm Bei Lagerung: 1.110 mm x 820 mm x 820 mm
	Bei montiertem Kübel	Während des Betriebs: 1.310 mm x 820 mm x 900 mm Bei Lagerung: 1.110 mm x 820 mm x 820 mm
Fahrgeschwindigkeit	Vorwärts	1,5 oder 3,5 km/h
	Rückwärts	1,0 km/h
Minimaler Wenderadius		1.075 mm (Außendurchmesser beim Wenden mit Vorderrad als Achse)
Maximale Steigfähigkeit		12°
Maximale Tragfähigkeit		130 kg
Bremsen	Vorderrad	Scheibenbremse mit Seilzug
	Hinterrad	Fixiert mit Pedal
Reifen	Vorderrad	Schlauchloser Reifen
	Hinterrad	Selbstdichtender Reifen
Nennspannung		18 V Gleichstrom
Nettogewicht	Bei montiertem Träger	45 kg
	Bei montiertem Kübel	39 - 40 kg

- Wir behalten uns vor, Änderungen der technischen Daten im Zuge der Entwicklung und des technischen Fortschritts ohne vorherige Ankündigung vorzunehmen.
- Die technischen Daten und der Akku können von Land zu Land unterschiedlich sein.
- Das Gewicht kann abhängig von dem Aufsatz (den Aufsätzen), einschließlich des Akkus, unterschiedlich sein. Die leichteste und die schwerste Kombination, gemäß dem EPTA-Verfahren 01/2014, sind in der Tabelle angegeben.

Zutreffende Akkus und Ladegeräte



Akku	BL1815N / BL1820 / BL1820B / BL1830 / BL1830B / BL1840 / BL1840B / BL1850 / BL1850B / BL1860B
Ladegerät	DC18RC / DC18RD / DC18RE / DC18SD / DC18SE / DC18SF







- Einige der oben aufgelisteten Akkus und Ladegeräte sind je nach Ihrem Wohngebiet eventuell nicht erhältlich.

⚠️ WARNUNG: Verwenden Sie nur die oben aufgeführten Akkus und Ladegeräte. Bei Verwendung irgendwelcher anderer Akkus und Ladegeräte besteht Verletzungs- und/oder Brandgefahr.

Symbole

Nachfolgend werden die für das Gerät verwendeten Symbole beschrieben. Machen Sie sich vor der Benutzung mit ihrer Bedeutung vertraut.

	Betriebsanleitung lesen.
	Nur für EU-Länder Werfen Sie Elektrogeräte oder Akkus nicht in den Hausmüll! Unter Einhaltung der Europäischen Richtlinie über Elektro- und Elektronik-Altgeräte, Batterien, Akkus sowie verbrauchte Batterien und Akkus und ihre Umsetzung gemäß den Landesgesetzen müssen Elektrogeräte und Batterien bzw. Akkus, die das Ende ihrer Lebensdauer erreicht haben, getrennt gesammelt und einer umweltgerechten Recycling-Einrichtung zugeführt werden.

	Ziehen Sie den Hebel vollständig nach unten, und prüfen Sie, ob der Träger oder Kübel verriegelt ist.
	Unterlassen Sie Richtungsänderungen auf steilen Hängen.
	Laden Sie Gegenstände auf ebenem Boden ein und aus.
	Laden Sie Gegenstände gleichmäßig in den Träger oder Kübel ein.
	Diese Maschine kann nicht auf öffentlichen Straßen verwendet werden.
	Benutzen Sie die Maschine nicht zum Transportieren von Personen.
	Setzen Sie das Gerät keinem Regen aus.



Um den Signalton abzuschalten, geben Sie den Auslöseschalter frei, und betätigen Sie den Bremshebel.



Blicken Sie nicht in den Lichtstrahl.

Vorgesehene Verwendung

Die Maschine ist für das Laden und Tragen von Gegenständen mit batteriebetriebener Unterstützung vorgesehen.

Geräusch

Typischer A-bewerteter Geräuschpegel ermittelt gemäß EN62841:

Schalldruckpegel (L_{pA}): 70 dB (A) oder weniger
Messunsicherheit (K): 3 dB (A)

Der Geräuschpegel kann während des Betriebs 80 dB (A) überschreiten.

HINWEIS: Der (Die) angegebene(n) Schallemissionswert(e) wurde(n) im Einklang mit der Standardprüfmethode gemessen und kann (können) für den Vergleich zwischen Werkzeugen herangezogen werden.

HINWEIS: Der (Die) angegebene(n) Schallemissionswert(e) kann (können) auch für eine Vorbewertung des Gefährdungsgrads verwendet werden.

⚠️ WARNUNG: Einen Gehörschutz tragen.

⚠️ WARNUNG: Die Schallemission während der tatsächlichen Benutzung des Elektrowerkzeugs kann je nach der Benutzungsweise des Werkzeugs, und speziell je nach der Art des bearbeiteten Werkstücks, von dem (den) angegebenen Wert(en) abweichen.

⚠️ WARNUNG: Identifizieren Sie Sicherheitsmaßnahmen zum Schutz des Benutzers anhand einer Schätzung des Gefährdungsgrads unter den tatsächlichen Benutzungsbedingungen (unter Berücksichtigung aller Phasen des Arbeitszyklus, wie z. B. Ausschalt- und Leerlaufzeiten des Werkzeugs zusätzlich zur Betriebszeit).

Schwingungen

Schwingungsgesamtwert (Drei-Achsen-Vektorsumme) ermittelt gemäß EN62841:

Arbeitsmodus: Leerlaufbetrieb
Schwingungsemission (a_h): 2,5 m/s² oder weniger
Messunsicherheit (K): 1,5 m/s²

HINWEIS: Der (Die) angegebene(n) Vibrationsgesamtwert(e) wurde(n) im Einklang mit der Standardprüfmethode gemessen und kann (können) für den Vergleich zwischen Werkzeugen herangezogen werden.

HINWEIS: Der (Die) angegebene(n) Vibrationsgesamtwert(e) kann (können) auch für eine Vorbewertung des Gefährdungsgrads verwendet werden.

⚠️ WARNUNG: Die Vibrationsemission während der tatsächlichen Benutzung des Elektrowerkzeugs kann je nach der Benutzungsweise des Werkzeugs, und speziell je nach der Art des bearbeiteten Werkstücks, von dem (den) angegebenen Emissionswert(en) abweichen.

⚠️ WARNUNG: Identifizieren Sie Sicherheitsmaßnahmen zum Schutz des Benutzers anhand einer Schätzung des Gefährdungsgrads unter den tatsächlichen Benutzungsbedingungen (unter Berücksichtigung aller Phasen des Arbeitszyklus, wie z. B. Ausschalt- und Leerlaufzeiten des Werkzeugs zusätzlich zur Betriebszeit).

EG-Konformitätserklärung

Nur für europäische Länder

Die EG-Konformitätserklärung ist als Anhang A in dieser Bedienungsanleitung enthalten.

SICHERHEITSWARNUNGEN

Allgemeine Sicherheitswarnungen für Elektrowerkzeuge

⚠️ WARNUNG: Lesen Sie alle mit diesem Elektrowerkzeug gelieferten Sicherheitswarnungen, Anweisungen, Abbildungen und technischen Daten durch. Eine Missachtung der unten aufgeführten Anweisungen kann zu einem elektrischen Schlag, Brand und/oder schweren Verletzungen führen.

Bewahren Sie alle Warnungen und Anweisungen für spätere Bezugnahme auf.

Der Ausdruck „Elektrowerkzeug“ in den Warnhinweisen bezieht sich auf Ihr mit Netzstrom (mit Kabel) oder Akku (ohne Kabel) betriebenes Elektrowerkzeug.

Sicherheitswarnungen für Akku-Schubkarre

1. **Tragen Sie während des Betriebs der Maschine immer rutschfestes und schützendes Schuhwerk.** Rutschfeste Sicherheitsstiefel und -schuhe mit geschlossenen Kappen verringern die Verletzungsgefahr.
2. **Prüfen Sie den Weg, bevor Sie Gegenstände/ Material transportieren.** Dass Sie sich mit dem Weg vertraut machen und sicherstellen, dass er breit genug ist, um die beladene Maschine sicher zu navigieren, trägt dazu bei, die Möglichkeit eines Verlusts der Kontrolle über die Maschine zu verringern.

3. **Lassen Sie auf schlüpfrigem, lockerem und instabilem Untergrund äußerste Vorsicht walten.** Nasse und schlüpfrige Oberflächen, wie etwa nasse Grasflächen, Schnee oder Eis, sowie lockerer und instabiler Untergrund, wie etwa Sand- oder Schotteroberflächen, können dazu führen, dass die Maschine die Bodenhaftung verliert, und können Lenkung, Bremsung und Stabilität beeinträchtigen.
 4. **Betreiben Sie die Maschine nicht auf übermäßig steilen Hängen.** Dies reduziert die Gefahr des Verlusts der Kontrolle, des Rutschens und Stützens, was zu Personenschäden führen kann. Hänge, die steiler als die maximale empfohlene Neigung sind, und Seitenneigungen können die Gefahr der Instabilität erhöhen und die Fähigkeit für sicheres Anhalten beeinträchtigen.
 5. **Achten Sie beim Arbeiten auf Hängen stets auf Ihren Halt, arbeiten Sie stets quer zur Hangfläche, niemals auf- oder abwärts, und lassen Sie bei Richtungswechseln äußerste Vorsicht walten.** Dies reduziert die Gefahr des Verlusts der Kontrolle, des Rutschens und Stützens, was zu Personenschäden führen kann.
 6. **Benutzen Sie nach Möglichkeit ebene Bereiche zum Anhalten, Be- und Entladen, und lassen Sie die Maschine niemals unbeaufsichtigt auf einem Hang stehen.** Die Maschine ist instabiler, wenn sie auf einem Hang ruht, als auf einer ebenen Fläche.
 7. **Wenn Sie auf Hängen anhalten, richten Sie die Maschine bergaufwärts oder -abwärts, und blockieren Sie ungebremste Räder.** Die Maschine ist weniger stabil, wenn sie quer zu einem Hang ausgerichtet ist. Ungebremste Räder, insbesondere solche des Laufrollentyps, können potenziell ihre Richtung ändern und bergab rollen, selbst wenn Vorderrad-Feststellbremse angezogen ist.
 8. **Wenn Sie die Maschine unbeaufsichtigt lassen, ziehen Sie die Feststellbremse an, nachdem Sie die Maschine in einem sicheren Haltebereich abgestellt haben.** Die Feststellbremse verhindert ungewollte Bewegung des Vorderrads und kann die Stabilität verbessern.
 9. **Stellen Sie sicher, dass Rampen sauber, stabil und sicher sind.** Um Verletzungsgefahr zu verringern, müssen alle Rampen frei von lockerem Unrat und stabil genug sein, um dem Gewicht der erwarteten Lasten, die über sie transportiert werden, standzuhalten. Sie müssen angemessene Abstützung auf der Unterseite und auf beiden Seiten haben, um Durchbiegung und seitliche Bewegung unter Belastung zu eliminieren. Alle Rampen müssen breit genug sein, um sicheren Halt zu haben, während Lasten über sie transportiert werden.
 10. **Stellen Sie sicher, dass der Behälter abgesehen ist, und dass Behälter und Abladeklappen sicher verriegelt sind, wenn keine Lasten ausgekippt werden und die Maschine gelagert wird.** Entriegelte Behälter oder Abladeklappen können sich unerwartet öffnen oder verlagern.
 11. **Vermeiden Sie Erweitern von Rampen ohne Fußbretter oder Geländer über offenen Räumen.** Erhöhte Freiräume und offene Gräben beschwören versehentliche Stürze herauf und erhöhen das Potenzial für ernsthafte Verletzungen. Verwenden Sie Fußbretter oder Geländer auf Rampen über Freiräumen, um Herunterfallen der Maschine von der Rampe zu verhindern.
 12. **Stellen Sie vor Gebrauch sicher, dass alle Sicherungsschrauben fest angezogen sind.** Sicherungsschrauben an den Hinterrädern und den Vorder- und Seitenwänden eines offenen Trägers müssen festgezogen sein, um ungewollte Bewegung dieser einstellbaren Teile der Maschine zu verhindern.
 13. **Betreiben Sie die Maschine niemals in überladenen Zustand.** Vergewissern Sie sich, dass die Maschine die korrekte Nennkapazität für die zu transportierenden Gegenstände oder Materialien hat. Übermäßige Lasten erschweren das Manövrieren und Anhalten der Maschine, verlängern die Anhaltezeit und den Anhalteweg und erhöhen die Gefahr von Instabilität.
 14. **Betreiben Sie Ihre Maschine niemals in überfülltem Zustand.** Stapeln von Material über den Trägerrand oder die Seiten des Trägers hinaus kann bewirken, dass die Maschine das Gleichgewicht verliert und außer Kontrolle gerät.
 15. **Verwenden Sie Behälter und Verzerrungen zum Sichern von Lasten.** Lose und/oder unsichere Lasten neigen eher zu Verlagerung, was zum Verlust der Stabilität und Kontrolle führen kann.
 16. **Halten Sie die Handgriffe stets sicher fest.** Verlust der Kontrolle kann die Gefahr von Personenschäden erhöhen.
 17. **Ziehen Sie den Sicherheitsschlüssel ab, wenn die Maschine nicht benutzt wird.** Der Sicherheitsschlüssel verhindert unerwünschte, motorgetriebene Benutzung der Maschine, z. B. durch Kinder oder andere ungeschulte oder unbefugte Personen. Ohne den Schlüssel kann die Stromversorgung nicht eingeschaltet werden.
 18. **Diese Maschine kann nicht auf öffentlichen Straßen verwendet werden.** Die Verwendung der Schubkarre auf öffentlichen Straßen ist illegal und könnte mit lokalen Geldbußen bestraft werden. Außerdem könnte sie zu Personenschäden führen.
 19. **Verwenden Sie eine robuste Platte mit Rutschhemmungs- und Abtrennungsverhinderungsfunktion, wenn Sie diese Maschine zum Transportieren auf- und/oder abladen oder zwischen unterschiedlichen Ebenen bewegen.** Achten Sie darauf, dass die Plattenneigung 12° nicht überschreitet, und betreiben Sie die Maschine langsam und sorgfältig. Instabiler und schneller Betrieb kann zu Umkippen und/oder Herunterfallen führen.
 20. **Unterlassen Sie Zerlegen, Reparieren oder Abändern dieser Maschine.**
- Betrieb**
1. **Stellen Sie sich beim Betrieb der Maschine hinter die Maschine, und halten Sie die Handgriffe mit festem Griff.**
 2. **Setzen Sie sich während des Betriebs nicht auf die Maschine.**
 3. **Lassen Sie nicht zu, dass andere Personen auf der Maschine sitzen.**
 4. **Wenn Sie die Maschine im Rückwärtsgang betreiben und rückwärts gehen, blicken Sie nach hinten, und achten Sie darauf, dass Sie nicht ausrutschen oder stolpern.**

5. **Benutzen Sie die Maschine nicht bei schlechter Sicht, weil sonst die Gefahr des Anstoßens an Hindernisse besteht.**
6. **Wenn Sie die Maschine auf rauem Untergrund betreiben, verringern Sie die Geschwindigkeit, und lassen Sie Vorsicht walten.**
7. **Vermeiden Sie weichen Untergrund bei Benutzung der Maschine, um Umkippen durch Einbrechen der Bankette zu verhindern.**
8. **Betreiben Sie die Maschine nicht auf Steigungen von mehr als 12°.**
9. **Falls Sie eine Abnormalität feststellen, halten Sie die Maschine auf ebenem Boden an. Betätigen Sie vor der Überprüfung der Maschine den Bremshebel, verriegeln Sie die Bremse, und schalten Sie dann die Stromversorgung aus.**
10. **Vergewissern Sie sich vor dem Betreiben der Maschine, dass der Verriegelungshebel ganz herunter gezogen und vollständig verriegelt ist.** Bei unvollständiger Verriegelung besteht die Gefahr eines Unfalls oder einer Verletzung, da der Träger oder Kübel kippen kann und die Gegenstände beim Bergabfahren herausfallen können.
11. **Achten Sie darauf, dass die Kabel sich nicht an der Ladung oder an Hindernissen verfangen.**

Betrieb auf Hängen

1. **Überqueren Sie keine Hänge.**
2. **Verringern Sie unbedingt die Geschwindigkeit, und lassen Sie Vorsicht walten.**
3. **Lassen Sie beim Anfahren oder Anhalten auf Hängen Vorsicht walten.**
4. **Da die Lasten auf Hängen instabiler werden, sichern Sie die Lasten einwandfrei mit Seilen.**
5. **Da die Maschine je nach dem Straßenzustand instabil wird, halten Sie die Last auf einem Minimum.**
6. **Da die Sicht auf Hängen unklar wird, halten Sie die Höhe der Last auf einem Minimum.**
7. **Parken Sie die Maschine niemals auf steilen Hängen. Parken Sie die Maschine auf ebenem Boden, betätigen Sie den Bremshebel, verriegeln Sie die Bremse, und schalten Sie dann die Stromversorgung aus.**
8. **Unterlassen Sie Richtungsänderungen oder Umschalten des Geschwindigkeitsmodus auf steilen Hängen.**
9. **Lassen Sie den Auslöseschalter auf Steigungen nicht los.** Anderenfalls kann die Maschine auf den Rückwärtsgang umschalten und einen Unfall verursachen.
10. **Vergewissern Sie sich vor dem Betrieb auf Hängen, dass die Akku-Restkapazität ausreichend ist. Ist die Akku-Restkapazität nicht ausreichend, laden Sie den Akku auf, oder ersetzen Sie ihn durch einen aufgeladenen.**

Einladen von Gegenständen

1. **Überladen Sie die Maschine nicht mit Gegenständen. Befolgen Sie beim Beladen mit Gegenständen unbedingt die Anweisungen und die Belastungsgrenzen in der Anleitung.**

2. **Sichern Sie die Gegenstände einwandfrei mit Seilen.**
3. **Laden Sie Gegenstände nur innerhalb des Trägers oder Kübels ein.** Falls die Gegenstände vom Träger oder Kübel überstehen, besteht die Gefahr von Unfällen durch Herunterfallen von Gegenständen oder Berührung mit Hindernissen, wie z. B. Wänden.
4. **Vergewissern Sie sich, dass die aufgeladenen Gegenstände unterhalb der Augenhöhe sind.** Falls die Beladung zu hoch ist, kann es zu einer gefährlichen Beeinträchtigung der Sicht kommen. Außerdem besteht die Gefahr von Umkippen und Verletzungen, weil die Wahrscheinlichkeit eines Ungleichgewichts der Last groß ist.
5. **Laden Sie Gegenstände gleichmäßig in den Träger oder Kübel ein.** Werden die Gegenstände ungleichmäßig eingeladen, besteht die Gefahr von Umkippen und Verletzungen, weil die Wahrscheinlichkeit eines Ungleichgewichts der Last groß ist.
6. **Vergewissern Sie sich vor dem Einladen von Gegenständen oder dem Betreiben der Maschine, dass der Verriegelungshebel ganz herunter gezogen und vollständig verriegelt ist.**
7. **Laden Sie schwere Gegenstände zuerst ein, um das Gleichgewicht aufrechtzuerhalten.**
8. **Fahren Sie die Front- und Seitenholme nicht auf steilen Hängen aus. Fahren Sie die Seitenholme aus, wenn leichte Gegenstände eingeladen werden.**
9. **Fahren Sie die Front- und Seitenholme nicht über die Ausfahrgrenze hinaus aus. Fahren Sie die Seitenholme so aus, dass die rechte und linke Seite die gleiche Länge haben, und laden Sie Gegenstände gleichmäßig ein.**
10. **Laden Sie Gegenstände auf ebenem Boden ein und aus.**
11. **Wenn Sie den Träger oder Kübel anheben und kippen, halten Sie die Handgriffe und den Rahmen mit festem Griff, und arbeiten Sie mit stabiler Haltung.**

Wartung

1. **Parken Sie die Maschine stets auf ebenem Boden, und verriegeln Sie den Bremshebel, bevor Sie die Maschine lagern oder sich anschicken, Inspektions- oder Wartungsarbeiten durchzuführen.**

DIESE ANWEISUNGEN AUFBEWAHREN.

⚠️ WARNUNG: Lassen Sie sich NICHT durch Bequemlichkeit oder Vertrautheit mit dem Produkt (durch wiederholten Gebrauch erworben) von der strikten Einhaltung der Sicherheitsregeln für das vorliegende Produkt abhalten. MISSBRAUCH oder Missachtung der Sicherheitsvorschriften in dieser Anleitung können schwere Verletzungen verursachen.

Wichtige Sicherheitsanweisungen für Akku

1. Lesen Sie vor der Benutzung des Akkus alle Anweisungen und Warnhinweise, die an (1) Ladegerät, (2) Akku und (3) Akkuwerkzeug angebracht sind.
2. Unterlassen Sie ein Zerlegen des Akkus.
3. Falls die Betriebszeit beträchtlich kürzer geworden ist, stellen Sie den Betrieb sofort ein. Anderenfalls besteht die Gefahr von Überhitzung, möglichen Verbrennungen und sogar einer Explosion.
4. Falls Elektrolyt in Ihre Augen gelangt, waschen Sie sie mit sauberem Wasser aus, und begeben Sie sich unverzüglich in ärztliche Behandlung. Anderenfalls können Sie Ihre Sehkraft verlieren.
5. Der Akku darf nicht kurzgeschlossen werden:
 - (1) Die Kontakte dürfen nicht mit leitfähigem Material berührt werden.
 - (2) Lagern Sie den Akku nicht in einem Behälter zusammen mit anderen Metallgegenständen, wie z. B. Nägel, Münzen usw.
 - (3) Setzen Sie den Akku weder Wasser noch Regen aus.

Ein Kurzschluss des Akkus verursacht starken Stromfluss, der Überhitzung, mögliche Verbrennungen und einen Defekt zur Folge haben kann.

6. Lagern Sie das Werkzeug und den Akku nicht an Orten, an denen die Temperatur 50 °C erreichen oder überschreiten kann.
7. Versuchen Sie niemals, den Akku zu verbrennen, selbst wenn er stark beschädigt oder vollkommen verbraucht ist. Der Akku kann im Feuer explodieren.
8. Achten Sie darauf, dass der Akku nicht fallen gelassen oder Stößen ausgesetzt wird.
9. Benutzen Sie keine beschädigten Akkus.
10. Die enthaltenen Lithium-Ionen-Akkus unterliegen den Anforderungen der Gefahrgut-Gesetzgebung.

Für kommerzielle Transporte, z. B. durch Dritte oder Spediteure, müssen besondere Anforderungen zu Verpackung und Etikettierung beachtet werden.

Zur Vorbereitung des zu transportierenden Artikels ist eine Beratung durch einen Experten für Gefahrgut erforderlich. Bitte beachten Sie möglicherweise ausführlichere nationale Vorschriften. Überleben oder verdecken Sie offene Kontakte, und verpacken Sie den Akku so, dass er sich in der Verpackung nicht umher bewegen kann.

11. Befolgen Sie die örtlichen Bestimmungen bezüglich der Entsorgung von Akkus.
12. Verwenden Sie die Akkus nur mit den von Makita angegebenen Produkten. Das Einsetzen der Akkus in nicht konforme Produkte kann zu einem Brand, übermäßiger Hitzebildung, einer Explosion oder Auslaufen von Elektrolyt führen.

DIESE ANWEISUNGEN AUFBEWAHREN.

▲ VORSICHT: Verwenden Sie nur Original-Makita-Akkus. Die Verwendung von Nicht-Original-Makita-Akkus oder von Akkus, die abgeändert worden sind, kann zum Bersten des Akkus und daraus resultierenden Bränden, Personenschäden und Beschädigung führen. Außerdem wird dadurch die Makita-Garantie für das Makita-Werkzeug und -Ladegerät ungültig.

Hinweise zur Aufrechterhaltung der maximalen Akku-Nutzungsdauer

1. Laden Sie den Akku, bevor er vollkommen erschöpft ist. Schalten Sie das Werkzeug stets aus, und laden Sie den Akku, wenn Sie ein Nachlassen der Werkzeugleistung feststellen.
2. Unterlassen Sie erneutes Laden eines voll aufgeladenen Akkus. Überladen führt zu einer Verkürzung der Nutzungsdauer des Akkus.
3. Laden Sie den Akku bei Raumtemperatur zwischen 10 – 40 °C. Lassen Sie einen heißen Akku abkühlen, bevor Sie ihn laden.
4. Der Akku muss geladen werden, wenn er lange Zeit (länger als sechs Monate) nicht benutzt wird.

BEZEICHNUNG DER TEILE

Beschreibung der Teile (bei montiertem Träger)

► Abb.1

1	Bedienfeld	2	Handgriff
3	Auslöseschalter	4	Akkukasten
5	Bremshebel für Vorderrad	6	Hinterrad
7	Bremspedal für Hinterrad	8	Lampe
9	Vorderrad	10	Träger

Beschreibung der Teile (bei montiertem Kübel)

► Abb.2

1	Bedienfeld	2	Handgriff
3	Auslöseschalter	4	Akkukasten
5	Bremshebel für Vorderrad	6	Hinterrad
7	Bremspedal für Hinterrad	8	Lampe
9	Vorderrad	10	Kübel

MONTAGE

⚠ VORSICHT: Vergewissern Sie sich vor der Ausführung von Arbeiten an der Maschine stets, dass die Maschine ausgeschaltet und der Akku abgenommen ist.

Zusammenbauen der Haupteinheit

1. Nehmen Sie die Basiseinheit und die Handgriffe aus dem Karton heraus.
▶ **Abb.3**

ANMERKUNG: Nehmen Sie die Basiseinheit und die Handgriffe unbedingt zusammen heraus, damit keine übermäßige Kraft auf die Kabel ausgeübt wird.

2. Stellen Sie das Verpackungsmaterial unter die Rückseite der Basiseinheit.
▶ **Abb.4:** 1. Verpackungsmaterial
3. Setzen Sie die Hinterräder in den Rahmen ein.
▶ **Abb.5:** 1. Hinterrad
▶ **Abb.6:** 1. Hinterrad

HINWEIS: Anstelle der Hinterräder können die Stützbeine angebracht werden.

4. Bringen Sie die Federscheibe und die Beilagscheibe an der kurzen Sechskantschraube an, und ziehen Sie dann die Teile mit dem im Paket enthaltenen Schraubenschlüssel an.
▶ **Abb.7:** 1. Kurze Sechskantschraube
2. Federscheibe 3. Beilagscheibe
▶ **Abb.8**

ANMERKUNG: Verwenden Sie unbedingt die kurzen Sechskantschrauben zum Befestigen der Hinterräder.

ANMERKUNG: Fixieren Sie die Hinterräder auf beiden Seiten an der gleichen Position.

5. Heben Sie die Handgriffe an, und führen Sie sie dann in die Basiseinheit ein.
▶ **Abb.9**

ANMERKUNG: Es dürfen sich keine Kabel innerhalb des mit „A“ in der Abbildung gekennzeichneten Bereichs befinden. Lange Gegenstände können sich an den Kabeln verfangen und Unfälle verursachen.

ANMERKUNG: Achten Sie beim Anheben und Einführen der Handgriffe darauf, dass keine übermäßige Kraft auf die Kabel ausgeübt wird.

ANMERKUNG: Heben Sie die Handgriffe unbedingt mit beiden Händen an.

6. Klappen Sie den Trägerrahmen nach vorn um.
▶ **Abb.10:** 1. Trägerrahmen
7. Klappen Sie die Handgriffe aus, führen Sie dann die langen Sechskantschrauben in die Basiseinheit ein, und ziehen Sie dann die Muttern mit dem im Paket enthaltenen Schraubenschlüssel an.
▶ **Abb.11:** 1. Lange Sechskantschraube

8. Ziehen Sie die Passschrauben von hinten mit dem im Paket enthaltenen Schraubenschlüssel an.

▶ **Abb.12:** 1. Passschraube

9. Ziehen Sie die kurzen Sechskantschrauben auf beiden Seiten mit dem im Paket enthaltenen Schraubenschlüssel an, um die Handgriffe zu befestigen.

▶ **Abb.13:** 1. Kurze Sechskantschraube

ANMERKUNG: Ziehen Sie die kurzen Sechskantschrauben nicht mit übermäßiger Kraft an. Ziehen Sie sie mit angemessener Kraft an, so dass die Handgriffe stabil befestigt sind.

ANMERKUNG: Klemmen Sie die Kabel nicht mit den Schrauben ein.

10. Sichern Sie die Kabel mit den Klemmen.
▶ **Abb.14:** 1. Klemme

11. Klappen Sie den Trägerrahmen hoch.
▶ **Abb.15:** 1. Trägerrahmen

12. Drücken Sie den Sperrknopf, während Sie den Bremshebel zum Verriegeln der Bremse betätigen.

▶ **Abb.16:** 1. Sperrknopf 2. Bremshebel

⚠ VORSICHT: Wenn die Hinterräder montiert sind, drücken Sie das Bremspedal für das Hinterrad, um das Hinterrad zu blockieren.

13. Hängen Sie die Trägerverriegelung ein, und ziehen Sie dann den Verriegelungshebel nach unten, um den Träger zu verriegeln.

▶ **Abb.17:** 1. Trägerverriegelung 2. Verriegelungshebel

ANMERKUNG: Vergewissern Sie sich, dass der Verriegelungshebel einwandfrei verriegelt ist.

ANMERKUNG: Klemmen Sie die Kabel nicht mit dem Verriegelungshebel ein.

HINWEIS: Wenn Sie die Stützbeine anstelle der Hinterräder anbringen, entfernen Sie die Hinterräder von den Rahmen, und bringen Sie dann die Stützbeine an den Rahmen an.

▶ **Abb.18:** 1. Hinterrad 2. Stützbein

Zusammenbauen und Montieren des Trägers

Sonderzubehör

1. Nehmen Sie den Träger aus dem Karton heraus, bringen Sie die Seitenholme am Basisrahmen an, und ziehen Sie dann die Rändelmutter an, um die Holme zu fixieren.

▶ **Abb.19:** 1. Rändelmutter

2. Setzen Sie den Träger auf die Basiseinheit, und führen Sie dann die Sechskantschrauben und Beilagscheiben von oben in die Rahmen ein. Ziehen Sie die Beilagscheiben, die Federscheiben und die Flügelmuttern von der Unterseite an, um den Träger zu befestigen.

▶ **Abb.20:** 1. Lange Sechskantschraube 2. Kurze Sechskantschraube 3. Beilagscheibe 4. Federscheibe 5. Flügelmutter

ANMERKUNG: Verwenden Sie die langen Schrauben für die Vorderseite und die kurzen Schrauben für die Rückseite.

Montieren des Kübels

Sonderzubehör

Setzen Sie den Kübel auf die Basiseinheit, führen Sie die Sechskantschrauben in die Rahmen ein, und ziehen Sie dann die Beilagscheiben, die Federscheiben und die Flügelmuttern von der Unterseite an, um den Kübel zu befestigen.

- **Abb.21:** 1. Sechskantschraube 2. Beilagscheibe
3. Federscheibe 4. Flügelmutter

FUNKTIONSBESCHREIBUNG

Anbringen und Abnehmen des Akkus

⚠ VORSICHT: Schalten Sie die Maschine stets aus, bevor Sie den Akku anbringen oder abnehmen.

⚠ VORSICHT: Verriegeln Sie unbedingt die Akkuabdeckung vor Gebrauch. Anderenfalls können Schlamm, Schmutz oder Wasser eine Beschädigung des Produkts oder der Akkus verursachen.

⚠ VORSICHT: Schieben Sie den Akku stets bis zum Anschlag ein, bis die rote Anzeige nicht mehr sichtbar ist. Anderenfalls kann er versehentlich aus der Maschine herausfallen und Sie oder umstehende Personen verletzen.

⚠ VORSICHT: Unterlassen Sie Gewaltanwendung beim Anbringen der Akkus. Falls die Akkus nicht reibungslos hineingleiten, sind sie nicht richtig ausgerichtet.

⚠ VORSICHT: Verwenden Sie keinen Hochtemperatur-Akku. Wenn der Hochtemperatur-Akku verwendet wird, bleibt die Maschine automatisch stehen, bevor ein kurzer Signalton abgegeben wird, und kann eine Verletzung verursachen.

Montieren der Akkus

1. Drehen Sie den Verriegelungshebel, und öffnen Sie dann die Abdeckung des Akkukastens.

- **Abb.22:** 1. Verriegelungshebel 2. Abdeckung

2. Richten Sie die Feder am Akku auf den Schlitz am Akkukasten aus, und schieben Sie dann den Akku hinein, bis er mit einem leisen Klicken einrastet. Falls die rote Anzeige an der Oberseite des Knopfes sichtbar ist, ist der Akku nicht vollständig verriegelt.

- **Abb.23:** 1. Akku

3. Führen Sie den Sperrschlüssel bis zum Anschlag in den in der Abbildung gezeigten Schlitz ein.

- **Abb.24:** 1. Sperrschlüssel

HINWEIS: Falls der Sperrschlüssel nicht vollständig eingeführt wird, funktioniert die Maschine nicht.

4. Schließen Sie die Abdeckung des Akkukastens, und drehen Sie dann den Verriegelungshebel.

- **Abb.25:** 1. Verriegelungshebel 2. Abdeckung

Abnehmen des Akkus

1. Drehen Sie den Verriegelungshebel, und öffnen Sie dann die Abdeckung des Akkukastens.

2. Ziehen Sie die Akkus aus dem Akkukasten heraus, während Sie den Knopf an der Vorderseite des jeweiligen Akkus verschieben.

- **Abb.26:** 1. Knopf

3. Ziehen Sie den Sperrschlüssel heraus.

4. Schließen Sie die Abdeckung des Akkukastens, und drehen Sie dann den Verriegelungshebel.

Maschinen-/Akku-Schutzsystem

Die Maschine ist mit einem Maschinen-/Akku-Schutzsystem ausgestattet. Dieses System schaltet die Stromversorgung des Motors automatisch ab, um die Lebensdauer von Maschine und Akku zu verlängern. Die Maschine bleibt während des Betriebs automatisch stehen, wenn die Maschine oder der Akku einer der folgenden Bedingungen unterliegt. Ein kurzer Signalton wird abgegeben, bevor die Maschine automatisch stehen bleibt. Die Akku-Anzeigen und LED-Anzeigen blinken, während der Signalton abgegeben wird.

Überlastschutz

Wird die Maschine in einer Weise betrieben, die eine ungewöhnlich hohe Stromaufnahme bewirkt, bleibt die Maschine ohne jegliche Anzeige automatisch stehen. Schalten Sie die Maschine in dieser Situation aus, beseitigen Sie die Ursache der Überlastung, und schalten Sie dann die Maschine wieder ein, um sie wieder in Betrieb zu nehmen.

Überhitzungsschutz

Wenn die Maschine überhitzt wird, bleibt sie automatisch stehen. Lassen Sie die Maschine abkühlen, bevor Sie sie wieder einschalten. Der Überhitzungsschutz tritt voraussichtlich in einer heißen Umgebung in Aktion.

Überentladungsschutz

Wenn die Akkukapazität niedrig wird, bleibt die Maschine automatisch stehen. Falls die Maschine trotz Betätigung der Schalter nicht funktioniert, entfernen Sie die Akkus, und laden Sie sie auf.

Umschalten des Akkus

- **Abb.27:** 1. Akku-Wahlschalter

Bis zu zwei Akkus können in den Akkukasten eingesetzt werden, obwohl die Maschine nur einen Akku für den Betrieb benutzt. Wählen Sie vor der Inbetriebnahme der Maschine den für den Betrieb zu benutzenden Akku aus, indem Sie die entsprechende Nummer auf dem Akku-Wahlschalter drücken.

ANMERKUNG: Wenn nur ein Akku in den Akkukasten eingesetzt ist, wählen Sie unbedingt den Akkukasten aus, in den der Akku eingesetzt ist.

Anzeigen der Akku-Restkapazität am Akkukasten

VORSICHT: Halten Sie unbedingt die Maschine an, bevor Sie die Akku-Restkapazität überprüfen oder den Akku umschalten.

► **Abb.28:** 1. Akku-Anzeige 2. Prüftaste

Drücken Sie die Prüftaste, um die Akku-Restkapazität anzuzeigen. Jedem Akku sind eigene Akku-Anzeigen zugeordnet.

Status der Akku-Anzeige		Akku-Restkapazität
Ein	Aus	
		50% - 100%
		20% - 50%
		0% - 20%
		Kein Akku eingesetzt

VORSICHT: Wenn die Akkukapazität niedrig wird, wird ein kurzer Signalton abgegeben. Wird die Maschine bei niedriger Akkukapazität weiter betrieben, ertönt ein langer Signalton, und die Maschine bleibt automatisch stehen. Wenn Sie den kurzen Signalton hören, betätigen Sie den Bremshebel zum Verriegeln der Bremse, und schalten Sie dann den Akku auf einen geladenen um, oder laden Sie den Akku auf. Wenn die Akku-Restkapazität zur Neige geht, bleibt die Maschine plötzlich automatisch stehen, wodurch eine Verletzung verursacht werden kann.

HINWEIS: Wenn Sie trotz Abgabe des kurzen Signaltons den Auslöseschalter weiter betätigen, bleibt die Maschine automatisch stehen. Der Signalton ertönt nach dem automatischen Maschinenstopp weiter, und die Hilfsbremse (elektrische Bremse) wird aktiviert. Um den Signalton abzuschalten und die Hilfsbremse zu lösen, betätigen Sie den Bremshebel, und lassen Sie den Auslöseschalter los. Schieben Sie die Maschine nicht gewaltsam, ohne die Hilfsbremse zu lösen. Nach dem Lösen der Hilfsbremse können Sie anhand des Status der Akku-Anzeige feststellen, welches Akku-Schutzsystem in Betrieb ist.

► **Abb.29:** 1. Leuchten 2. Blinken 3. Erlöschen
4. Überhitzungsschutz
5. Überentladungsschutz 6. Überlastschutz

VORSICHT: Falls der Signalton abgegeben wird, während Sie auf einem Hang arbeiten oder die Maschine auf einem Hang automatisch stehen bleibt, bewegen Sie die Maschine zu einem sicheren Platz, verriegeln Sie die Bremse, und schalten Sie dann den Akku auf einen geladenen um, oder laden Sie den Akku auf.

Falls Sie eine große Last transportieren und der Signalton abgegeben wird, während Sie auf einem Hang arbeiten oder die Maschine auf einem Hang automatisch stehen bleibt, bewegen Sie die Maschine nicht gewaltsam.

Verriegeln Sie die Bremse, achten Sie auf die Sicherheit, und schalten Sie den Akku auf einen geladenen um, bevor Sie die Maschine zu einem sicheren Platz bewegen. Verringern Sie die Last, bevor Sie die Maschine wieder in Betrieb nehmen.

HINWEIS: Sie können die Akku-Restkapazität überprüfen, selbst wenn der Sperrschlüssel nicht eingesteckt ist.

Anzeigen der Akku-Restkapazität

Nur für Akkus mit Anzeige

► **Abb.30:** 1. Anzeigelampen 2. Prüftaste

Drücken Sie die Prüftaste am Akku, um die Akku-Restkapazität anzuzeigen. Die Anzeigelampen leuchten wenige Sekunden lang auf.

Anzeigelampen			Restkapazität
Erleuchtet	Aus	Blinkend	
			75% bis 100%
			50% bis 75%
			25% bis 50%
			0% bis 25%
			Den Akku aufladen.
			Möglicherweise liegt eine Funktionsstörung im Akku vor.

HINWEIS: Abhängig von den Benutzungsbedingungen und der Umgebungstemperatur kann die Anzeige geringfügig von der tatsächlichen Kapazität abweichen.

Bedienfeld

► **Abb.31:** 1. Ein-Aus-Taste 2. Vorwärts-/Rückwärtstaste 3. Geschwindigkeitstaste

Um die Stromversorgung einzuschalten, drücken Sie die Ein-Aus-Taste ein paar Sekunden lang. Drücken Sie die Vorwärts-/Rückwärtstaste, um zwischen dem Vorwärtsmodus und dem Rückwärtsmodus umzuschalten. Drücken Sie die Geschwindigkeitstaste, um zwischen niedriger und hoher Geschwindigkeit umzuschalten. Beim Einschalten der Stromversorgung werden Vorwärtsmodus und niedrige Geschwindigkeit eingestellt. Um die Stromversorgung auszuschalten, drücken Sie die Ein-Aus-Taste ein paar Sekunden lang.

HINWEIS: Die Vorwärts-/Rückwärtstaste ist nicht verfügbar, während der Auslöseschalter betätigt wird.

HINWEIS: Ein kurzer Signalton ertönt, wenn die Maschine rückwärts betrieben wird.

HINWEIS: Die Geschwindigkeitstaste ist bei Rückwärtsbetrieb der Maschine nicht verfügbar.

Schalter- und Bremsfunktion

⚠ WARNUNG: Vergewissern Sie sich vor dem Anbringen des Akkus an der Maschine stets, dass der Auslöseschalter ordnungsgemäß funktioniert und beim Loslassen in die AUS-Stellung zurückkehrt.

Zum Starten der Maschine betätigen Sie den Auslöseschalter. Zum Stoppen der Maschine lassen Sie den Auslöseschalter los und betätigen den Bremshebel. Zum Verriegeln des Bremshebels drücken Sie den Sperrknopf, während Sie den Bremshebel betätigen. Zum Lösen der Verriegelung betätigen Sie den Bremshebel.

► **Abb.32:** 1. Auslöseschalter

► **Abb.33:** 1. Sperrknopf 2. Bremshebel

Hinterradbremse

Die Hinterräder sind mit Bremsen ausgestattet. Drücken Sie die Bremspedale nach vorn, um die Bremsen zu verriegeln. Um die Bremsen zu lösen, drücken Sie die Bremspedale nach hinten.

► **Abb.34:** 1. Pedal

Einschalten der Frontlampen

Drücken Sie die Lampentaste am Akkukasten, um die Lampen einzuschalten. Zum Ausschalten der Lampen drücken Sie die Lampentaste erneut.

► **Abb.35:** 1. Lampentaste 2. Lampe

HINWEIS: Die Lampen erlöschen, wenn die Maschine ungefähr 10 Minuten lang unbeaufsichtigt bleibt.

HINWEIS: Die Lampen erlöschen, wenn die Stromversorgung ausgeschaltet wird.

HINWEIS: Sie können die Lampen einschalten, selbst wenn der Sperrschlüssel nicht eingesteckt ist.

Einstellen der Handgriffhöhe

Entfernen Sie die kurzen Sechskantschrauben und die Passschrauben mit dem im Paket enthaltenen Schraubenschlüssel, und stellen Sie dann die Handgriffhöhe ein. Die Höhe kann auf drei Stufen eingestellt werden. Ziehen Sie die Passschrauben und die kurzen Sechskantschrauben an, um den Handgriff zu fixieren.

► **Abb.36:** 1. Kurze Sechskantschraube
2. Passschraube

ANMERKUNG: Fixieren Sie den linken und rechten Handgriff auf der gleichen Höhe.

ANMERKUNG: Ziehen Sie die kurzen Sechskantschrauben nicht mit übermäßiger Kraft an. Ziehen Sie sie mit angemessener Kraft an, so dass die Handgriffe stabil befestigt sind.

ANMERKUNG: Klemmen Sie die Kabel nicht mit den Schrauben ein.

Einstellen der Breite des Trägers

Lösen Sie die 4 Rändelmuttern, und verschieben Sie dann die Seitenholme. Ziehen Sie die Rändelmuttern fest, um die Seitenholme zu fixieren.

► **Abb.37:** 1. Rändelmutter 2. Holm

⚠ VORSICHT: Verschieben Sie die Holme nicht über die Grenzmarkierung hinaus.

► **Abb.38**

BETRIEB

Betreiben der Maschine

ANMERKUNG: Das Vorderrad dieser Maschine wird durch Akkustrom angetrieben. Benutzen Sie diese Maschine, um Transportarbeiten zu unterstützen.

ANMERKUNG: Stecken Sie vor dem Betrieb unbedingt den Sperrschlüssel in den Akkukasten ein. Wird der Sperrschlüssel nicht eingesteckt, ertönt ein kurzer Signalton beim Betätigen des Auslöseschalters. Der Signalton verstummt bei Loslassen des Auslöseschalters und Betätigen des Bremshebels.

Bevor Sie die Maschine in Betrieb nehmen, sollten Sie nachprüfen, ob der Bremshebel einwandfrei funktioniert.

► **Abb.39:** 1. Bremshebel

⚠ WARNUNG: Falls der Bremshebel bei voller Betätigung den Handgriff erreicht, funktioniert die Bremse nicht einwandfrei. Stellen Sie die Bremse ein, oder wenden Sie sich für Reparaturen an Ihre Makita-Kundendienststelle vor Ort.

1. Wählen Sie den Akku mit dem Akku-Wahlschalter aus.

2. Drücken Sie die Ein-Aus-Taste am Bedienfeld ein paar Sekunden lang, um die Stromversorgung einzuschalten.

► **Abb.40:** 1. Ein-Aus-Taste

3. Betätigen Sie den Bremshebel, um die Verriegelung des Bremshebels zu lösen.

► **Abb.41:** 1. Sperrknopf 2. Bremshebel

HINWEIS: Lösen Sie die Hinterradbremse, falls die Hinterräder montiert sind.

4. Halten Sie die Handgriffe mit beiden Händen fest.

► **Abb.42**

5. Betätigen Sie den Auslöseschalter.

► **Abb.43:** 1. Auslöseschalter

Einladen von Gegenständen

⚠ VORSICHT: Bevor Sie Gegenstände auf die Maschine laden, vergewissern Sie sich, dass die Stromversorgung ausgeschaltet und der Bremshebel verriegelt ist.

⚠ VORSICHT: Falls die Hinterräder montiert sind, vergewissern Sie sich, dass die Hinterradbremse verriegelt ist, bevor Sie Gegenstände auf die Maschine laden.

⚠ VORSICHT: Vergewissern Sie sich, dass der Träger oder Kübel verriegelt ist, bevor Sie Gegenstände auf die Maschine laden.

⚠ VORSICHT: Laden Sie Gegenstände nur innerhalb des Trägers oder Kübels ein. Falls Gegenstände aus dem Träger oder Kübel herausragen, können sie bei Berührung von Hindernissen herunterfallen oder zusammenbrechen.

► **Abb.44**

⚠ VORSICHT: Laden Sie Gegenstände unbedingt so, dass sie unterhalb der Augenhöhe sind. Falls die Beladung zu hoch ist, kann es zu einer gefährlichen Beeinträchtigung der Sicht kommen. Außerdem besteht die Gefahr von Umkippen und Verletzungen, weil die Wahrscheinlichkeit eines Ungleichgewichts der Last groß ist.

► **Abb.45**

Wenn Sie Gegenstände auf den Träger laden, sichern Sie die Gegenstände mit Seilen, und zurren Sie sie an den Seilhaken fest.

► **Abb.46**

Abladen von Gegenständen

⚠ VORSICHT: Heben Sie den Träger oder Kübel auf ebenem und stabilem Boden an. Betrieb auf instabilem Boden kann einen Unfall oder Verletzungen verursachen.

Sie können die Gegenstände abladen, indem Sie den Träger oder Kübel anheben und kippen.

1. Halten Sie die Maschine an, und verriegeln Sie dann die Bremsen.

ANMERKUNG: Es wird empfohlen, das Vorderrad zu blockieren, um die Maschine zu stabilisieren.

2. Lösen Sie den Verriegelungshebel.

3. Stellen Sie sich neben die Maschine, halten Sie den Handgriff mit einer Hand, und heben und kippen Sie dann den Träger bzw. den Kübel, indem Sie den Trägerahmen mit der anderen Hand hoch drücken.

► **Abb.47**

⚠ VORSICHT: Halten Sie den Handgriff und den Trägerrahmen mit festem Griff, und nehmen Sie eine stabile Haltung ein.

⚠ VORSICHT: Halten Sie die Last auf einem Minimum. Falls die Last groß ist, versuchen Sie nicht, den Träger anzuheben. Verringern Sie die Last, und heben Sie dann den Träger an.

⚠ VORSICHT: Nachdem Sie die Gegenstände abgeladen haben, verriegeln Sie unbedingt den Träger oder Kübel.

WARTUNG

⚠ VORSICHT: Parken Sie die Maschine stets auf ebenem Boden, und verriegeln Sie den Bremshebel, bevor Sie die Maschine lagern oder sich anschicken, Inspektions- oder Wartungsarbeiten durchzuführen.

⚠ VORSICHT: Falls die Hinterräder montiert sind, vergewissern Sie sich, dass die Hinterradbremse verriegelt ist, bevor Sie die Maschine lagern, überprüfen oder warten.

⚠ VORSICHT: Vergewissern Sie sich stets, dass der Sperrschlüssel und die Akkus von der Maschine entfernt worden sind, bevor Sie die Maschine lagern, überprüfen oder warten.

⚠ VORSICHT: Ziehen Sie stets den Sperrschlüssel ab, wenn Sie die Maschine nicht benutzen. Bewahren Sie den Sperrschlüssel an einem sicheren Ort außer Reichweite von Kindern auf.

Regelmäßige Kontrollen

• Prüfen Sie nach, ob die Schrauben und Muttern fest angezogen sind.

► **Abb.48**

• Prüfen Sie nach, ob der Träger verriegelt wird, wenn der Verriegelungshebel ganz nach unten gezogen wird.

► **Abb.49:** 1. Trägerverriegelung
2. Verriegelungshebel

• Prüfen Sie nach, ob der Bremshebel einwandfrei funktioniert.

► **Abb.50:** 1. Bremshebel

⚠ WARNUNG: Falls der Bremshebel bei voller Betätigung den Handgriff erreicht, funktioniert die Bremse nicht einwandfrei. Stellen Sie die Bremse ein, oder wenden Sie sich für Reparaturen an Ihre Makita-Kundendienststelle vor Ort.

• Stellen Sie sicher, dass das Vorderrad nicht beschädigt oder platt ist. Prüfen Sie, ob der Luftdruck im Vorderreifen ausreichend ist.

Reinigen der Maschine

ANMERKUNG: Verwenden Sie auf keinen Fall Benzin, Waschbenzin, Verdünnern, Alkohol oder dergleichen. Solche Mittel können Verfärbung, Verformung oder Rissbildung verursachen.

ANMERKUNG: Gießen Sie Wasser unter den Träger oder Kübel, wenn Sie die Maschine mit fließendem Wasser reinigen. Verwenden Sie keine Hochdruck-Waschanlage zum Reinigen.

Entfernen Sie Schlamm, Schmutz und dergleichen von der Maschine. Reinigen Sie die Maschine mit fließendem Wasser. Wischen Sie die Maschine nach dem Reinigen mit einem trockenen Lappen ab.

Lagerung

Entfernen Sie den Sperrschlüssel. Bewahren Sie die Maschine an einem sicheren Ort außer Reichweite von Kindern auf.

Zum Lagern der Maschine können die Handgriffe nach vorn gedreht werden. Entfernen Sie die kurzen Sechskantschrauben und Passschrauben mit dem im Paket enthaltenen Schraubenschlüssel. Drehen Sie die Handgriffe nach außen und dann nach vorn. Ziehen Sie die Passschrauben und die kurzen Sechskantschrauben an, um die Handgriffe zu fixieren.

► **Abb.51:** 1. Passschraube 2. Kurze Sechskantschraube

ANMERKUNG: Ziehen Sie die kurzen Sechskantschrauben nicht mit übermäßiger Kraft an. Ziehen Sie sie mit angemessener Kraft an, so dass die Handgriffe stabil befestigt sind.

ANMERKUNG: Klemmen Sie die Kabel nicht mit den Schrauben ein.

Einstellen der Bremse

⚠ VORSICHT: Falls die Hinterräder montiert sind, verriegeln Sie unbedingt die Hinterradbremse, bevor Sie die Bremse einstellen.

1. Entfernen Sie den Träger oder Kübel, und klappen Sie dann den Trägerrahmen herunter.

► **Abb.52:** 1. Trägerrahmen

2. Betätigen Sie den Bremshebel, um den Sperrknopf des Bremshebels zu lösen.

► **Abb.53:** 1. Sperrknopf 2. Bremshebel

3. Lösen Sie die Einstellhülse und die Feststellmutter.

► **Abb.54:** 1. Einstellhülse 2. Feststellmutter

4. Ziehen Sie nur die Feststellmutter fest.

► **Abb.55:** 1. Feststellmutter

5. Lösen Sie die Einstellhülse und die Feststellmutter.

► **Abb.56:** 1. Einstellhülse 2. Feststellmutter

6. Ziehen Sie nur die Feststellmutter fest.

► **Abb.57:** 1. Feststellmutter

7. Vergewissern Sie sich, dass sich der Bremshebel bei voller Betätigung in der Zwischenstellung befindet. Wenn sich der Bremshebel in der Zwischenstellung befindet, gehen Sie zu Schritt 13. Wenn sich der Bremshebel nicht in der Zwischenstellung befindet, gehen Sie zu Schritt 8.

► **Abb.58:** 1. Bremshebel

8. Lösen Sie nur die Feststellmutter.

► **Abb.59:** 1. Feststellmutter

9. Ziehen Sie die Feststellmutter und die Einstellhülse zusammen fest.

► **Abb.60:** 1. Einstellhülse 2. Feststellmutter

10. Lösen Sie nur die Feststellmutter.

► **Abb.61:** 1. Feststellmutter

11. Ziehen Sie die Feststellmutter und die Einstellhülse zusammen fest.

► **Abb.62:** 1. Einstellhülse 2. Feststellmutter

12. Vergewissern Sie sich, dass sich der Bremshebel bei voller Betätigung in der Zwischenstellung befindet.

► **Abb.63:** 1. Bremshebel

13. Klappen Sie den Trägerrahmen hoch, und bringen Sie dann den Träger oder Kübel an.

► **Abb.64:** 1. Trägerrahmen

Aufpumpen des Reifens mit Luft

Prüfen Sie, ob Luft im Vorderreifen vorhanden ist. Falls der Luftdruck des Reifens unzureichend ist, pumpen Sie den Reifen mit einer Luftpumpe auf. Der empfohlene Reifendruck beträgt 230 kPa.

► **Abb.65**

SONDERZUBEHÖR

⚠ VORSICHT: Die folgenden Zubehörteile oder Vorrichtungen werden für den Einsatz mit dem in dieser Anleitung beschriebenen Makita-Werkzeug empfohlen. Die Verwendung anderer Zubehörteile oder Vorrichtungen kann eine Verletzungsgefahr darstellen. Verwenden Sie Zubehörteile oder Vorrichtungen nur für ihren vorgesehenen Zweck.

⚠ VORSICHT: Verwenden Sie nur Makita-Zubehörteile oder -Vorrichtungen für die Maschine. Der Gebrauch anderer Zubehörteile oder Vorrichtungen kann zu schweren Personenschäden führen.

Wenn Sie weitere Einzelheiten bezüglich dieser Zubehörteile benötigen, wenden Sie sich bitte an Ihre Makita-Kundendienststelle.

- Träger
- Kübel
- Hilfsräder
- Original-Makita-Akku und -Ladegerät

HINWEIS: Manche Teile in der Liste können als Standardzubehör im Werkzeugsatz enthalten sein. Sie können von Land zu Land unterschiedlich sein.

DATI TECNICI

Modello:		DCU180
Dimensioni (L x P x A)	Quando è installato il pianale	Durante l'uso: 1.315 mm x 1.060 mm x 900 mm Quando è riposta: 1.110 mm x 820 mm x 820 mm
	Quando è installata la vasca	Durante l'uso: 1.310 mm x 820 mm x 900 mm Quando è riposta: 1.110 mm x 820 mm x 820 mm
Velocità di movimento	In avanti	1,5 o 3,5 km/h
	All'indietro	1,0 km/h
Raggio di sterzata minimo		1.075 mm (diametro esterno quando si sterza con la ruota anteriore come asse)
Capacità massima di salita		12°
Capacità massima di carico		130 kg
Freno	Ruota anteriore	Freno a disco con filo metallico
	Ruota posteriore	Fisso a pedale
Pneumatico	Ruota anteriore	Pneumatico tubeless
	Ruota posteriore	Pneumatico autostagnante
Tensione nominale		18 V CC
Peso netto	Quando è installato il pianale	45 kg
	Quando è installata la vasca	39 - 40 kg

- A causa del nostro programma continuativo di ricerca e sviluppo, i dati tecnici sono soggetti a modifiche senza preavviso.
- I dati tecnici e la cartuccia della batteria potrebbero differire da nazione a nazione.
- Il peso può variare a seconda dell'accessorio o degli accessori, inclusa la cartuccia della batteria. La combinazione più leggera e quella più pesante, secondo la procedura EPTA 01/2014, sono indicate nella tabella.

Cartuccia della batteria e caricabatterie applicabili



Cartuccia della batteria	BL1815N / BL1820 / BL1820B / BL1830 / BL1830B / BL1840 / BL1840B / BL1850 / BL1850B / BL1860B
Caricabatterie	DC18RC / DC18RD / DC18RE / DC18SD / DC18SE / DC18SF

- Alcune cartucce delle batterie e alcuni caricabatterie elencati sopra potrebbero non essere disponibili a seconda della propria area geografica di residenza.

⚠ AVVERTIMENTO: Utilizzare solo le cartucce delle batterie e i caricabatterie elencati sopra. L'utilizzo di altre cartucce delle batterie e di altri caricabatterie potrebbe causare lesioni personali e/o un incendio.

Simboli

La figura seguente mostra i simboli utilizzati per l'apparecchio. Accertarsi di comprendere il loro significato prima dell'uso.

	Leggere il manuale d'uso.
	Solo per le nazioni dell'EU Non smaltire apparecchiature elettriche o batterie insieme ai rifiuti domestici! In osservanza delle Direttive Europee sui rifiuti di apparecchiature elettriche ed elettroniche (RAEE), sulle batterie e gli accumulatori, nonché sulle batterie e gli accumulatori esausti, e dell'implementazione di tali direttive in conformità alle leggi locali, gli apparecchi elettrici e la/e batteria/e che hanno raggiunto la fine della loro vita utile devono essere raccolti separatamente e conferiti a una struttura di smaltimento ecocompatibile.

	Abbassare fino in fondo la leva e accertarsi che il pianale o la vasca siano bloccati.
	Non cambiare direzione su pendii ripidi.
	Caricare e scaricare gli oggetti su terreno in piano.
	Caricare gli oggetti sul pianale o nella vasca distribuendoli in modo omogeneo.
	Non è possibile utilizzare questa macchina su strade pubbliche.
	Non utilizzare per il trasporto di persone.
	Non esporre alla pioggia.



Per annullare il segnale acustico, rilasciare l'interruttore a grilletto e premere la leva del freno.

Non fissare lo sguardo nel raggio.



Utilizzo previsto

La macchina è destinata al carico e al trasporto assistito a batteria di oggetti.

Rumore

Livello tipico di rumore pesato A determinato in base allo standard EN62841:

Livello di pressione sonora (L_{pA}): 70 dB (A) o inferiore
Incertezza (K): 3 dB (A)

Il livello del rumore nelle condizioni di lavoro può superare gli 80 dB (A).

NOTA: Il valore o i valori dichiarati delle emissioni di rumori sono stati misurati in conformità a un metodo standard di verifica, e possono essere utilizzati per confrontare un utensile con un altro.

NOTA: Il valore o i valori dichiarati delle emissioni di rumori possono venire utilizzati anche per una valutazione preliminare dell'esposizione.

AVVERTIMENTO: Indossare protezioni per le orecchie.

AVVERTIMENTO: L'emissione di rumori durante l'utilizzo effettivo dell'utensile elettrico può variare rispetto al valore o ai valori dichiarati, a seconda dei modi in cui viene utilizzato l'utensile e specialmente a seconda di che tipo di pezzo venga lavorato.

AVVERTIMENTO: Accertarsi di identificare misure di sicurezza per la protezione dell'operatore che siano basate su una stima dell'esposizione nelle condizioni effettive di utilizzo (tenendo conto di tutte le parti del ciclo operativo, ad esempio del numero di spegnimenti dell'utensile e di quando giri a vuoto, oltre al tempo di attivazione).

Vibrazioni

Valore totale delle vibrazioni (somma vettoriale triassiale) determinato in base allo standard EN62841:

Modalità di lavoro: funzionamento a vuoto
Emissione di vibrazioni (a_h): 2,5 m/s² o inferiore
Incertezza (K): 1,5 m/s²

NOTA: Il valore o i valori complessivi delle vibrazioni dichiarati sono stati misurati in conformità a un metodo standard di verifica, e possono essere utilizzati per confrontare un utensile con un altro.

NOTA: Il valore o i valori complessivi delle vibrazioni dichiarati possono venire utilizzati anche per una valutazione preliminare dell'esposizione.

AVVERTIMENTO: L'emissione delle vibrazioni durante l'utilizzo effettivo dell'utensile elettrico può variare rispetto al valore o ai valori dichiarati, a seconda dei modi in cui viene utilizzato l'utensile, specialmente a seconda di che tipo di pezzo venga lavorato.

AVVERTIMENTO: Accertarsi di identificare misure di sicurezza per la protezione dell'operatore che siano basate su una stima dell'esposizione nelle condizioni effettive di utilizzo (tenendo conto di tutte le parti del ciclo operativo, ad esempio del numero di spegnimenti dell'utensile e di quando giri a vuoto, oltre al tempo di attivazione).

Dichiarazione di conformità CE

Solo per i paesi europei

La dichiarazione di conformità CE è inclusa nell'Allegato A al presente manuale di istruzioni.

AVVERTENZE DI SICUREZZA

Avvertenze generali relative alla sicurezza dell'utensile elettrico

AVVERTIMENTO: Leggere tutte le avvertenze di sicurezza, le istruzioni, le illustrazioni e i dati tecnici forniti con il presente utensile elettrico. La mancata osservanza di tutte le istruzioni elencate di seguito potrebbe risultare in scosse elettriche, incendi e/o gravi lesioni personali.

Conservare tutte le avvertenze e le istruzioni come riferimento futuro.

Il termine "utensile elettrico" nelle avvertenze si riferisce sia all'utensile elettrico (cablato) nel funzionamento alimentato da rete elettrica che all'utensile elettrico (a batteria) nel funzionamento alimentato a batteria.

Avvertenze per la sicurezza relative alla carriola elettrica a batteria

- Durante l'uso della macchina, indossare sempre calzature antiscivolo e protettive.** Stivali e scarpe protettivi antiscivolo a punta chiusa riducono il rischio di lesioni personali.
- Ispezionare il percorso prima di trasportare oggetti/materiali.** Se si familiarizza con il percorso e si accerta che sia sufficientemente ampio per guidare con sicurezza la macchina sotto carico, si contribuisce a ridurre le perdite di controllo della macchina.
- Adottare estrema cautela su terreno scivoloso, franoso e instabile.** Le superfici bagnate e scivolose, ad esempio aree erbose bagnate, neve o ghiaccio, e il terreno franoso e instabile, come le superfici sabbiose o di ghiaia, potrebbero causare la perdita di trazione della macchina e incidere negativamente su sterzata, frenata e stabilità.

4. **Non far funzionare la macchina su pendii eccessivamente ripidi.** Questa precauzione riduce il rischio di perdite di controllo, scivolate e cadute, che potrebbero causare lesioni personali. Pendii con inclinazione superiore a quella massima consigliata e pendenze laterali possono incrementare il rischio di instabilità e potrebbero incidere negativamente sulla capacità di arrestarsi in sicurezza.
 5. **Quando si lavora sui pendii, accertarsi sempre di mantenere un saldo equilibrio sui piedi, lavorare sempre trasversalmente alla facciata dei pendii, mai verso l'alto o verso il basso, e adottare estrema cautela quando si cambia direzione.** Questa precauzione riduce il rischio di perdite di controllo, scivolate e cadute, che potrebbero causare lesioni personali.
 6. **Quando è possibile, utilizzare aree in piano per l'arresto, il caricamento e lo scarico, e non lasciare mai la macchina incustodita su un pendio.** La macchina è più instabile quando è appoggiata su un pendio di quando è appoggiata su una superficie in piano.
 7. **Quando si intende arrestarsi sui pendii, orientare la macchina verso l'alto o verso il basso e bloccare le ruote non frenate.** La macchina è meno stabile quando è orientata trasversalmente su un pendio. Le ruote non frenate, specialmente quelle di tipo girevole, potrebbero potenzialmente girarsi e ruotare in discesa, anche quando è inserito il freno di stazionamento della ruota anteriore.
 8. **Quando si intende lasciare la macchina incustodita, inserire il freno di stazionamento una volta che la macchina è situata in un'area di arresto sicura.** Il freno di stazionamento evita il movimento indesiderato della ruota anteriore e può migliorare la stabilità.
 9. **Assicurare che le rampe siano pulite, forti e sicure.** Per ridurre il rischio di lesioni personali, tutte le rampe devono essere libere da detriti sparsi e forti abbastanza da sostenere il peso dei carichi previsti che verranno spostati sulle rampe stesse. Devono avere un bloccaggio adeguato al di sotto e su entrambi i lati, per eliminare le deformazioni e i movimenti laterali sotto carico. Tutte le rampe devono essere sufficientemente ampie da avere un appoggio sicuro durante il trasporto dei carichi sulle rampe stesse.
 10. **Accertarsi che la tramoggia sia abbassata e che tramogge e sponde di scarico siano chiuse saldamente a scatto quando non si intende scaricare il carico e quando si ripone la macchina.** Tramogge o sponde di scarico non chiuse a scatto potrebbero aprirsi o spostarsi improvvisamente.
 11. **Evitare di far passare sopra spazi aperti rampe prive di pedane o ringhiere.** Gli spazi aperti elevati e i fossi aperti favoriscono le cadute accidentali e incrementano il potenziale di gravi lesioni personali. Utilizzare pedane o ringhiere sulle rampe che passano sopra spazi aperti, per evitare di far cadere la macchina fuori dalla rampa mentre la si guida.
 12. **Accertarsi che tutte le viti di blocco siano serrate saldamente prima dell'uso.** Le viti di blocco sulle ruote posteriori e sulle pareti anteriori e laterali dei pianali di tipo aperto devono essere fissate per evitare il movimento indesiderato di queste parti regolabili della macchina.
 13. **Non far mai funzionare la macchina in condizione di sovraccarico.** Accertarsi che la macchina abbia la capacità nominale adeguata per gli oggetti o i materiali che devono essere trasportati. Carichi eccessivi rendono la macchina più difficile da manovrare e arrestare, incrementano il tempo e la distanza di arresto, nonché il rischio di instabilità.
 14. **Non far mai funzionare la macchina in condizione di accatastamento eccessivo.** L'accatastamento dei materiali al di sopra del bordo o dei lati del cassone può rendere la macchina sbilanciata in modo del tutto incontrollabile.
 15. **Utilizzare contenitori e cinghie fermacarico per fissare i carichi.** Carichi liberi e/o non fissati hanno una maggiore probabilità di spostarsi, il che potrebbe risultare nella perdita di stabilità e controllo.
 16. **Mantenere sempre una salda presa sulle maniglie.** La perdita di controllo può incrementare il rischio di lesioni personali.
 17. **Rimuovere la chiave di sicurezza quando non è in uso.** La chiave di sicurezza evita l'utilizzo a motore indesiderato della macchina, ad esempio da parte di bambini o di altre persone non addestrate o non autorizzate. Senza la chiave, non è possibile attivare l'alimentazione elettrica.
 18. **Non è possibile utilizzare questa macchina su strade pubbliche.** L'utilizzo della carriola su strade pubbliche è illegale e potrebbe risultare in sanzioni delle giurisdizioni locali; inoltre, potrebbe risultare in lesioni personali.
 19. **Quando si intende caricare e/o scaricare questa macchina per il trasporto, oppure spostare questa macchina tra livelli diversi, utilizzare un piano robusto dotato di funzione antiscivolo e di prevenzione dei distacchi. Accertarsi che l'inclinazione del piano non superi i 12°, e far funzionare la macchina lentamente e con attenzione. Un funzionamento instabile e rapido potrebbe causare capovolgimenti e/o cadute.**
 20. **Non smontare, riparare o modificare questa macchina.**
- Funzionamento**
1. Quando si utilizza la macchina, posizionarsi dietro la macchina e mantenere saldamente le maniglie.
 2. Non far funzionare la macchina mentre si è a cavalcioni della macchina stessa.
 3. Non consentire ad altri di salire a cavalcioni della macchina.
 4. Quando si fa funzionare la macchina a marcia indietro e si cammina all'indietro, guardare dietro di sé e far attenzione a non scivolare o inciampare.
 5. Non utilizzare la macchina in condizioni di scarsa visibilità, poiché sussiste il rischio di colpire degli ostacoli.
 6. Quando si intende utilizzare la macchina su terreno accidentato, ridurre la velocità e adottare cautela.
 7. Quando si utilizza la macchina, evitare terreni morbidi, per evitare cappottamenti dovuti al collasso del margine stradale.

8. **Non far funzionare la macchina su pendii in salita con pendenza superiore a 12°.**
9. **Qualora si rilevi un'anomalia, arrestare la macchina su terreno in piano. Prima di ispezionare la macchina, premere la leva del freno e bloccare quest'ultimo, quindi spegnere l'apparecchio.**
10. **Prima di utilizzare la macchina, accertarsi che la leva di blocco sia abbassata fino in fondo e completamente bloccata.** Qualora il blocco sia incompleto, sussiste il rischio di incidente o di lesioni personali, poiché il pianale o la vasca potrebbero inclinarsi e gli oggetti potrebbero cadere quando si procede verso il basso.
11. **Fare attenzione a non far restare impigliati i cavi elettrici nel carico o negli ostacoli.**

Funzionamento sui pendii

1. **Non attraversare sui pendii.**
2. **Accertarsi di ridurre la velocità e adottare cautela.**
3. **Adottare cautela quando si intende avviare o arrestare la macchina sui pendii.**
4. **Poiché i carichi diventano meno stabili sui pendii, fissare saldamente i carichi con delle corde.**
5. **Poiché la macchina diventa instabile a seconda delle condizioni della strada, mantenere il carico al minimo.**
6. **Poiché la vista è ostacolata sui pendii, mantenere l'altezza del carico al minimo.**
7. **Non parcheggiare mai la macchina su pendii ripidi. Parcheggiare la macchina su terreno in piano, premere la leva del freno e bloccarlo, quindi spegnere l'apparecchio.**
8. **Non cambiare direzione o modalità di velocità su pendii ripidi.**
9. **Non rilasciare l'interruttore a grilletto su pendii in salita.** La macchina potrebbe procedere a marcia indietro e causare un incidente.
10. **Accertarsi che la carica residua della batteria sia sufficiente, prima dell'uso sui pendii.** Qualora la carica residua della batteria non sia sufficiente, caricare la batteria o sostituirla con una carica.

Caricamento degli oggetti

1. **Non sovraccaricare gli oggetti.** Quando si intende caricare oggetti, accertarsi di attenersi alle istruzioni e ai limiti di carico indicati nel manuale.
2. **Fissare saldamente gli oggetti con delle corde.**
3. **Caricare gli oggetti all'interno del pianale o della vasca.** Qualora gli oggetti sporgano dal pianale o dalla vasca, sussiste il rischio di incidenti dovuti alla caduta degli oggetti o al loro contatto con ostacoli quali le pareti.
4. **Accertarsi che gli oggetti caricati siano al di sotto del livello visivo.** Qualora il carico sia troppo alto, sussiste un pericolo dovuto al blocco della visuale. Inoltre, sussiste il rischio di cappingamento e di lesioni personali, in quanto è probabile che il carico diventi sbilanciato.
5. **Caricare gli oggetti sul pianale o nella vasca distribuendoli in modo omogeneo.** Qualora gli oggetti vengano caricati in modo disomogeneo, sussiste il rischio di cappingamento e di lesioni personali, in quanto è probabile che il carico diventi sbilanciato.

6. **Prima di caricare gli oggetti o utilizzare la macchina, accertarsi che la leva di blocco sia abbassata fino in fondo e completamente bloccata.**
7. **Accertarsi di caricare per primi gli oggetti pesanti, per mantenere l'equilibrio.**
8. **Non aprire la sponda anteriore e quelle laterali su pendii ripidi.** Aprire le sponde laterali quando si intende caricare oggetti leggeri.
9. **Quando si aprono la sponda anteriore e quelle laterali, non aprirle oltre il limite di apertura.** Accertarsi di aprire le sponde laterali in modo che i lati destro e sinistro siano alla stessa lunghezza, e caricare gli oggetti in modo omogeneo.
10. **Caricare e scaricare gli oggetti su terreno in piano.**
11. **Quando si intende sollevare e inclinare il pianale o la vasca, mantenere le maniglie e il telaio saldamente, e lavorare con una postura stabile.**

Manutenzione

1. **Accertarsi sempre di parcheggiare la macchina su terreno in piano e bloccare la leva del freno, prima di riparla o tentare di effettuare ispezioni o manutenzione.**

CONSERVARE LE PRESENTI ISTRUZIONI.

AVVERTIMENTO: NON lasciare che la comodità o la familiarità d'uso con il prodotto (acquisita con l'uso ripetuto) sostituiscano la stretta osservanza delle norme di sicurezza. L'USO IMPROPRIO o la mancata osservanza delle norme di sicurezza riportate nel presente manuale manuale di istruzioni potrebbero causare lesioni personali gravi.

Istruzioni di sicurezza importanti per la cartuccia della batteria

1. **Prima di utilizzare la cartuccia della batteria, leggere tutte le istruzioni e le avvertenze riportate (1) sul caricabatteria, (2) sulla batteria e (3) sul prodotto che utilizza la batteria.**
2. **Non smontare la cartuccia della batteria.**
3. **Qualora il tempo di utilizzo si riduca eccessivamente, interrompere immediatamente l'utilizzo dell'utensile. In caso contrario, si può incorrere nel rischio di surriscaldamento, possibili ustioni e persino un'esplosione.**
4. **Qualora l'elettrolita entri in contatto con gli occhi, sciacquarli con acqua pulita e richiedere immediatamente assistenza medica. Questa eventualità può risultare nella perdita della vista.**
5. **Non cortocircuitare la cartuccia della batteria:**
 - (1) **Non toccare i terminali con alcun materiale conduttivo.**
 - (2) **Evitare di conservare la cartuccia della batteria in un contenitore insieme ad altri oggetti metallici quali chiodi, monete, e così via.**

- (3) Non esporre la cartuccia della batteria all'acqua o alla pioggia.

Un cortocircuito della batteria può causare un grande flusso di corrente, un surriscaldamento, possibili ustioni e persino un guasto.

6. Non conservare l'utensile e la cartuccia della batteria in ubicazioni in cui la temperatura possa raggiungere o superare i 50°C.
7. Non incenerire la cartuccia della batteria anche qualora sia gravemente danneggiata o completamente esaurita. La cartuccia della batteria può esplodere se a contatto con il fuoco.
8. Fare attenzione a non far cadere e a non colpire la batteria.
9. Non utilizzare una batteria danneggiata.
10. Le batterie a ioni di litio contenute sono soggette ai requisiti del regolamento sul trasporto di merci pericolose (Dangerous Goods Legislation). Per trasporti commerciali, ad esempio da parte di terzi o spedizionieri, è necessario osservare dei requisiti speciali sull'imballaggio e sull'etichetta. Per la preparazione dell'articolo da spedire, è richiesta la consulenza di un esperto in materiali pericolosi. Attenersi anche alle normative nazionali, che potrebbero essere più dettagliate. Nastrare o coprire i contatti aperti e imballare la batteria in modo tale che non si possa muovere liberamente all'interno dell'imballaggio.
11. Attenersi alle normative locali relative allo smaltimento della batteria.
12. Utilizzare le batterie esclusivamente con i prodotti specificati da Makita. L'installazione delle batterie in prodotti non compatibili potrebbe risultare in incendi, calore eccessivo, esplosioni o perdite di liquido elettrolitico.

CONSERVARE LE PRESENTI ISTRUZIONI.

⚠ATTENZIONE: Utilizzare solo batterie originali Makita. L'utilizzo di batterie Makita non originali, o di batterie che siano state alterate, potrebbe risultare nello scoppio della batteria, causando incendi, lesioni personali e danni. Inoltre, ciò potrebbe invalidare la garanzia Makita per l'utensile e il caricabatterie Makita.

Suggerimenti per preservare la durata massima della batteria

1. Caricare la cartuccia della batteria prima che si scarichi completamente. Smettere sempre di utilizzare l'utensile e caricare la cartuccia della batteria quando si nota che la potenza dell'utensile è diminuita.
2. Non ricaricare mai una cartuccia della batteria completamente carica. La sovraccarica riduce la vita utile della batteria.
3. Caricare la cartuccia della batteria a una temperatura ambiente compresa tra 10°C e 40°C. Lasciar raffreddare una cartuccia della batteria prima di caricarla.
4. Caricare la cartuccia della batteria se non la si è utilizzata per un periodo di tempo prolungato (più di sei mesi).

DESCRIZIONE DELLE PARTI

Descrizione delle parti (quando è installato il pianale)

► Fig.1

1	Quadro comandi	2	Maniglia
3	Interruttore a grilletto	4	Alloggiamento delle batterie
5	Leva del freno per la ruota anteriore	6	Ruota posteriore
7	Pedale del freno per la ruota posteriore	8	Lampada
9	Ruota anteriore	10	Pianale

Descrizione delle parti (quando è installata la vasca)

► Fig.2

1	Quadro comandi	2	Maniglia
3	Interruttore a grilletto	4	Alloggiamento delle batterie
5	Leva del freno per la ruota anteriore	6	Ruota posteriore
7	Pedale del freno per la ruota posteriore	8	Lampada
9	Ruota anteriore	10	Vasca

MONTAGGIO

⚠ATTENZIONE: Accertarsi sempre che la macchina sia spenta e che la cartuccia della batteria sia stata rimossa, prima di effettuare qualsiasi lavoro sulla macchina.

Montaggio dell'unità principale

1. Estrarre l'unità di base e le maniglie dalla confezione.

► Fig.3

AVVISO: Accertarsi di estrarre l'unità di base e le maniglie assieme, in modo da non applicare forza eccessiva ai cavi elettrici.

2. Posizionare il materiale di imballaggio sotto il lato posteriore dell'unità di base.

► Fig.4: 1. Materiale di imballaggio

3. Inserire le ruote posteriori nel telaio.

► Fig.5: 1. Ruota posteriore

► Fig.6: 1. Ruota posteriore

NOTA: È possibile montare i piedistalli al posto delle ruote posteriori.

4. Montare la rondella spaccata e la rondella sul bullone esagonale corto, quindi serrarli utilizzando la chiave inclusa nella confezione.

► Fig.7: 1. Bullone esagonale corto 2. Rondella spaccata 3. Rondella

► Fig.8

AVVISO: Accertarsi di utilizzare i bulloni esagonali corti per serrare le ruote posteriori.

AVVISO: Fissare le ruote posteriori nella stessa posizione su entrambi i lati.

5. Sollevare le maniglie, quindi inserirle nell'unità di base.

► Fig.9

AVVISO: Non far passare i cavi elettrici all'interno dell'area "A" nella figura. Oggetti lunghi potrebbero restare impigliati nei cavi elettrici e causare incidenti.

AVVISO: Non applicare forza eccessiva ai cavi elettrici quando si sollevano e si inseriscono le maniglie.

AVVISO: Accertarsi di sollevare le maniglie con entrambe le mani.

6. Aprire il telaio del pianale verso la parte anteriore.

► Fig.10: 1. Telaio del pianale

7. Distendere le maniglie, inserire i bulloni esagonali lunghi nell'unità di base, quindi serrare i dadi con la chiave inclusa nella confezione.

► Fig.11: 1. Bullone esagonale lungo

8. Serrare i bulloni con spallamento dal lato posteriore utilizzando la chiave inclusa nella confezione.

► Fig.12: 1. Bullone con spallamento

9. Serrare i bulloni esagonali corti da entrambi i lati utilizzando la chiave inclusa nella confezione per fissare le maniglie.

► Fig.13: 1. Bullone esagonale corto

AVVISO: Non serrare i bulloni esagonali corti con forza eccessiva. Serrarli con la forza adeguata, in modo da fissare saldamente le maniglie.

AVVISO: Non schiacciare i cavi elettrici con i bulloni.

10. Fissare i cavi elettrici con i fermacavi.

► Fig.14: 1. Fermacavo

11. Piegarlo il telaio del pianale.

► Fig.15: 1. Telaio del pianale

12. Premere il pulsante di blocco mentre si preme la leva del freno per bloccare quest'ultimo.

► Fig.16: 1. Pulsante di blocco 2. Leva del freno

ATTENZIONE: Se sono installate le ruote posteriori, premere il pedale del freno della ruota posteriore per bloccarla.

13. Agganciare il fermo del pianale, quindi tirare verso il basso la leva di blocco per bloccare il pianale.

► Fig.17: 1. Fermo del pianale 2. Leva di blocco

AVVISO: Accertarsi che la leva di blocco sia fissata saldamente.

AVVISO: Non schiacciare i cavi elettrici con la leva di blocco.

NOTA: Se si intende montare i piedistalli al posto delle ruote posteriori, rimuovere queste ultime dai telai, quindi montare i piedistalli sui telai.

► Fig.18: 1. Ruota posteriore 2. Piedistallo

Montaggio e installazione del pianale

Accessorio opzionale

1. Estrarre il pianale dallo scatolo, montare le sponde laterali sul telaio della base, quindi serrare le viti a manopola per fissare le sponde.

► Fig.19: 1. Vite a manopola

2. Posizionare il pianale sull'unità di base, quindi inserire i bulloni esagonali e le rondelle dall'alto nei telai. Serrare le rondelle, le rondelle spaccate e i dadi a farfalla dal basso per fissare il pianale.

► Fig.20: 1. Bullone esagonale lungo 2. Bullone esagonale corto 3. Rondella 4. Rondella spaccata 5. Dado a farfalla

AVVISO: Utilizzare i bulloni lunghi per la parte anteriore e i bulloni corti per quella posteriore.

Installazione della vasca

Accessorio opzionale

Posizionare la vasca sull'unità di base, inserire i bulloni esagonali nei telai, quindi serrare le rondelle, le rondelle spaccate e i dadi a farfalla dal basso per fissare la vasca.

► Fig.21: 1. Bullone esagonale 2. Rondella 3. Rondella spaccata 4. Dado a farfalla

DESCRIZIONE DELLE FUNZIONI

Installazione o rimozione della cartuccia della batteria

ATTENZIONE: Spegnerne sempre la macchina prima di installare o rimuovere la cartuccia della batteria.

ATTENZIONE: Prima dell'uso, accertarsi di aver bloccato il coperchio batterie. In caso contrario, fango, sporco o acqua potrebbero danneggiare il prodotto o la cartuccia della batteria.

ATTENZIONE: Installare sempre a fondo la cartuccia della batteria, fino a quando non è più possibile vedere l'indicatore rosso. In caso contrario, la batteria potrebbe cadere accidentalmente fuori dalla macchina, causando lesioni all'operatore o alle persone circostanti.

ATTENZIONE: Non installare forzatamente la cartuccia della batteria. Qualora la batteria non si inserisca scorrendo agevolmente, vuol dire che non viene inserita correttamente.

ATTENZIONE: Non utilizzare una cartuccia della batteria surriscaldata. Quando si utilizza una cartuccia della batteria surriscaldata, la macchina si arresta automaticamente prima dell'emissione di un breve segnale acustico, e si potrebbero causare lesioni personali.

Installazione della cartuccia della batteria

1. Ruotare la leva di blocco, quindi aprire lo sportellino dell'alloggiamento delle batterie.

► Fig.22: 1. Leva di blocco 2. Sportellino

2. Allineare la linguetta sulla cartuccia della batteria con la scanalatura nell'alloggiamento delle batterie, quindi far scivolare la cartuccia fino a quando si innesta in sede con un piccolo scatto. Se è possibile vedere l'indicatore rosso sul lato superiore del pulsante, la cartuccia della batteria non è bloccata completamente.

► Fig.23: 1. Cartuccia della batteria

3. Inserire la chiave di blocco per tutta la sua lunghezza nella sede mostrata nella figura.

► Fig.24: 1. Chiave di blocco

NOTA: Se la chiave di blocco non è inserita completamente, la macchina non funziona.

4. Chiudere lo sportellino dell'alloggiamento delle batterie, quindi ruotare la leva di blocco.

► Fig.25: 1. Leva di blocco 2. Sportellino

Rimozione della cartuccia della batteria

1. Ruotare la leva di blocco, quindi aprire lo sportellino dell'alloggiamento delle batterie.

2. Estrarre la cartuccia della batteria dall'alloggiamento delle batterie mentre si fa scivolare il pulsante sulla parte anteriore della cartuccia.

► Fig.26: 1. Pulsante

3. Estrarre la chiave di blocco.

4. Chiudere lo sportellino dell'alloggiamento delle batterie, quindi ruotare la leva di blocco.

Sistema di protezione della macchina e della batteria

La macchina è dotata di un sistema di protezione della macchina stessa e della batteria. Questo sistema interrompe automaticamente l'alimentazione al motore per prolungare la vita utile della macchina e della batteria. La macchina si arresta automaticamente durante l'uso qualora la macchina stessa o la cartuccia della batteria si trovi in una delle condizioni seguenti. Un breve segnale acustico viene emesso prima che la macchina si arresti automaticamente. Gli indicatori della batteria e gli indicatori a LED lampeggiano mentre viene messo il segnale acustico.

Protezione dal sovraccarico

Quando si utilizza la macchina in un modo tale da causarne un assorbimento di corrente elevato in modo anormale, la macchina si arresta automaticamente senza alcuna indicazione. In questa situazione, spegnere la macchina e rimuovere la causa del sovraccarico, quindi accendere la macchina per riavviarla.

Protezione dal surriscaldamento

Quando la macchina è surriscaldata, si arresta automaticamente. Lasciar raffreddare la macchina prima di riaccenderla. È probabile che la protezione dal surriscaldamento si attivi in un ambiente dalla temperatura elevata.

Protezione dalla sovraccarica

Quando la carica della batteria si riduce, la macchina si arresta automaticamente. Qualora la macchina non funzioni anche quando si attivano gli interruttori, rimuovere la cartuccia della batteria e caricarla.

Commutazione della cartuccia della batteria

► Fig.27: 1. Commutatore di selezione della batteria

È possibile installare un massimo di due cartucce delle batterie nell'alloggiamento delle batterie, anche se la macchina utilizza una sola cartuccia della batteria per il funzionamento. Prima di utilizzare la macchina, selezionare la cartuccia della batteria utilizzata per il funzionamento, premendo il numero sul commutatore di selezione della batteria.









AVVISO: Se nell'alloggiamento delle batterie è installata una sola cartuccia della batteria, accertarsi di selezionare lo scomparto dell'alloggiamento delle batterie in cui è installata la cartuccia della batteria.

Indica la carica residua della batteria sull'alloggiamento delle batterie

ATTENZIONE: Prima di controllare le cariche residue delle batterie o di commutare la cartuccia della batteria, accertarsi di arrestare la macchina.

► Fig.28: 1. Indicatore della batteria 2. Pulsante di controllo

Premere il pulsante di controllo per indicare le cariche residue delle batterie. Gli indicatori delle batterie corrispondono alle rispettive batterie.

Stato dell'indicatore della batteria		Carica residua della batteria
Acceso	Spento	
		Dal 50% al 100%
		Dal 20% al 50%
		Dallo 0% al 20%
		Batteria non installata

ATTENZIONE: Quando la carica della batteria si riduce, viene emesso un breve segnale acustico. Se si continua a utilizzare la macchina con una carica della batteria bassa, viene messo un segnale acustico lungo e la macchina si arresta automaticamente. Quando si sente un segnale acustico breve, premere la leva del freno e bloccare quest'ultimo, quindi commutare la cartuccia della batteria su una carica oppure caricare la cartuccia della batteria. Quando la carica residua della batteria si esaurisce, la macchina si arresta improvvisamente in modo automatico, e questo potrebbe causare lesioni personali.

NOTA: Se si continua a tenere premuto l'interruttore a grilletto anche se si sente il breve segnale acustico, la macchina si arresta automaticamente. Dopo che la macchina si è arrestata automaticamente, il segnale acustico continua e viene attivato il freno di supporto (freno elettrico). Per annullare il segnale acustico e sbloccare il freno di supporto, premere la leva del freno a rilasciare l'interruttore a grilletto. Non spingere forzatamente la macchina senza rilasciare il freno di supporto. Dopo aver rilasciato il freno di supporto, è possibile sapere quale sistema di protezione della batteria sia in funzione controllando lo stato dell'indicatore della batteria.

- **Fig.29:** 1. Illuminato 2. Lampeggiante 3. Spento
4. Protezione dal surriscaldamento
5. Protezione dalla sovrascarica
6. Protezione dal sovraccarico

ATTENZIONE: Se viene emesso il segnale acustico durante l'utilizzo sui pendii, o qualora la macchina si arresti automaticamente sui pendii, spostare la macchina in un luogo sicuro, bloccare il freno, quindi commutare la cartuccia della batteria su una carica oppure caricare la cartuccia della batteria.

Qualora il carico sia di ampie dimensioni, e venga emesso il segnale acustico durante l'uso sui pendii, oppure la macchina si arresti automaticamente sui pendii, non spostarla forzatamente. Bloccare il freno, fare attenzione alla sicurezza e commutare la cartuccia della batteria su una carica, quindi spostare la macchina in un luogo sicuro. Ridurre il carico prima di utilizzare di nuovo la macchina.

NOTA: È possibile controllare la carica residua della batteria anche se la chiave di blocco non è inserita.

Indicazione della carica residua della batteria

Solo per cartucce delle batterie dotate di indicatore
► **Fig.30:** 1. Indicatori luminosi 2. Pulsante di controllo
Premere il pulsante di controllo sulla cartuccia della batteria per indicare la carica residua della batteria. Gli indicatori luminosi si illuminano per alcuni secondi.

Indicatori luminosi			Carica residua
Illuminato	Spento	Lampeggiante	
■	□	◐	Dal 75% al 100%
■ ■ ■ ■	□ □ □ □	◐ ◐ ◐ ◐	
■ ■ ■ ■	□ □ □ □	◐ ◐ ◐ ◐	
■ ■ ■ ■	□ □ □ □	◐ ◐ ◐ ◐	Dal 50% al 75%
■ ■ ■ ■	□ □ □ □	◐ ◐ ◐ ◐	Dal 25% al 50%

Indicatori luminosi			Carica residua
Illuminato	Spento	Lampeggiante	
■	□	◐	Dallo 0% al 25%
■	□ □ □ □	◐ ◐ ◐ ◐	Caricare la batteria.
■ ■ ■ ■	□ □ □ □	◐ ◐ ◐ ◐	La batteria potrebbe essersi guastata.

NOTA: A seconda delle condizioni d'uso e della temperatura ambiente, l'indicazione potrebbe variare leggermente rispetto alla carica effettiva.

Quadro comandi

- **Fig.31:** 1. Pulsante di accensione 2. Pulsante avanti/indietro 3. Pulsante della velocità

Per accendere la macchina, premere il pulsante di accensione per qualche secondo. Premere il pulsante avanti/indietro per commutare tra la modalità di avanzamento e quella di marcia indietro. Premere il pulsante della velocità per commutare tra bassa velocità e alta velocità. Quando si accende la macchina, vengono impostate la modalità di avanzamento e la bassa velocità. Per spegnere la macchina, premere il pulsante di accensione per qualche secondo.

NOTA: Il pulsante avanti/indietro non è disponibile mentre si tiene premuto l'interruttore a grilletto.

NOTA: Un breve segnale acustico viene emesso quando si fa funzionare la macchina a marcia indietro.

NOTA: Il pulsante della velocità non è disponibile quando si fa funzionare la macchina a marcia indietro.

Funzionamento del commutatore e del freno

AVVERTIMENTO: Prima di installare la cartuccia della batteria nella macchina, controllare sempre che l'interruttore a grilletto funzioni correttamente e ritorni sulla posizione di spegnimento quando viene rilasciato.

Per avviare la macchina, premere l'interruttore a grilletto. Per arrestare la macchina, rilasciare l'interruttore a grilletto e premere la leva del freno. Per bloccare la leva del freno, premere il pulsante di blocco mentre si tiene premuta la leva del freno. Per rilasciare il blocco, premere la leva del freno.

- **Fig.32:** 1. Interruttore a grilletto

- **Fig.33:** 1. Pulsante di blocco 2. Leva del freno

Freno della ruota posteriore

Le ruote posteriori sono dotate di freni. Per bloccare i freni, premere i pedali dei freni verso la parte anteriore. Per rilasciare i freni, premere i pedali dei freni verso la parte posteriore.

- **Fig.34:** 1. Pedale

Accensione delle lampade anteriori

Per accendere le lampade, premere il pulsante delle lampade sull'alloggiamento delle batterie. Per spegnere le lampade, premere di nuovo il pulsante delle lampade.

► Fig.35: 1. Pulsante delle lampade 2. Lampada

NOTA: Le lampade si spengono qualora la macchina venga lasciata incustodita per circa 10 minuti.

NOTA: Le lampade si spengono quando si spegne la macchina.

NOTA: È possibile accendere le lampade anche se la chiave di blocco non è inserita.

Regolazione dell'altezza delle maniglie

Rimuovere i bulloni esagonali corti e i bulloni con spallamento utilizzando la chiave inclusa nella confezione, quindi regolare l'altezza delle maniglie. È possibile regolare l'altezza su tre livelli. Serrare i bulloni con spallamento e i bulloni esagonali corti per fissare la maniglia.

► Fig.36: 1. Bullone esagonale corto 2. Bullone con spallamento

AVVISO: Fissare le maniglie sinistra e destra alla stessa altezza.

AVVISO: Non serrare i bulloni esagonali corti con forza eccessiva. Serrarli con la forza adeguata, in modo da fissare saldamente le maniglie.

AVVISO: Non schiacciare i cavi elettrici con i bulloni.

Regolazione della larghezza del pianale

Allentare le 4 viti a manopola, quindi far scorrere le sponde laterali. Serrare le viti a manopola per fissare le sponde laterali.

► Fig.37: 1. Vite a manopola 2. Sponda

ATTENZIONE: Non far scorrere le sponde oltre il segno di limite.

► Fig.38

FUNZIONAMENTO

Utilizzo della macchina

AVVISO: La trazione della ruota anteriore è a batteria, in questa macchina. Utilizzare questa macchina come aiuto nelle operazioni di trasporto.

AVVISO: Accertarsi di inserire la chiave di blocco nell'alloggiamento delle batterie prima dell'uso. Qualora la chiave di blocco non sia inserita, viene emesso un breve segnale acustico quando si preme l'interruttore a grilletto. Il segnale acustico si arresta rilasciando l'interruttore a grilletto e premendo la leva del freno.

Prima di utilizzare la macchina, controllare che la leva del freno funzioni correttamente.

► Fig.39: 1. Leva del freno

AVVERTIMENTO: Qualora la leva del freno raggiunga la maniglia quando si preme a fondo la leva, il freno non sta funzionando correttamente. Regolare il freno, oppure rivolgersi al centro di assistenza Makita locale per le riparazioni.

1. Selezionare la cartuccia della batteria con il commutatore di selezione della batteria.
2. Premere il pulsante di accensione sul quadro comandi per qualche secondo per accendere la macchina.

► Fig.40: 1. Pulsante di accensione

3. Premere la leva del freno per rilasciare il blocco della leva del freno.

► Fig.41: 1. Pulsante di blocco 2. Leva del freno

NOTA: Se sono installate le ruote posteriori, rilasciare il freno della ruota posteriore.

4. Mantenere saldamente le maniglie con entrambe le mani.

► Fig.42

5. Premere l'interruttore a grilletto.

► Fig.43: 1. Interruttore a grilletto

Caricamento degli oggetti

ATTENZIONE: Prima di caricare gli oggetti sulla macchina, accertarsi che la macchina sia spenta e la leva del freno sia bloccata.

ATTENZIONE: Se sono installate le ruote posteriori, accertarsi che il freno della ruota posteriore sia bloccato, prima di caricare oggetti sulla macchina.

ATTENZIONE: Prima di caricare gli oggetti sulla macchina, accertarsi che il pianale o la vasca siano bloccati.

ATTENZIONE: Accertarsi di caricare gli oggetti all'interno del pianale o della vasca. Qualora gli oggetti sporgano dal pianale o dalla vasca, potrebbero cadere o crollare, qualora tocchino degli ostacoli.

► Fig.44

ATTENZIONE: Accertarsi di caricare gli oggetti in modo che siano al di sotto del livello visivo. Qualora il carico sia troppo alto, sussiste un pericolo dovuto al blocco della visuale. Inoltre, sussiste il rischio di cappottamento e di lesioni personali, in quanto è probabile che il carico diventi sbilanciato.

► Fig.45

Quando si intende caricare oggetti sul pianale, fissare gli oggetti con delle corde e legare queste ultime ai ganci per le corde.

► Fig.46

Scarico degli oggetti

ATTENZIONE: Sollevare il pianale o la vasca su terreno in piano e stabile. Il funzionamento su terreno instabile potrebbe causare un incidente o lesioni personali.

È possibile scaricare gli oggetti sollevando e inclinando il pianale o la vasca.

1. Arrestare la macchina, quindi bloccare i freni.

AVVISO: Si consiglia di bloccare la ruota anteriore per stabilizzare la macchina.

2. Rilasciare la leva di blocco.
3. Posizionarsi in piedi di fianco alla macchina, mantenere la maniglia con una mano, quindi sollevare e inclinare il pianale o la vasca spingendo verso l'alto il telaio del pianale con l'altra mano.

► Fig.47

ATTENZIONE: Mantenere la maniglia e il telaio del pianale saldamente, e lavorare con una postura stabile.

ATTENZIONE: Mantenere il carico al minimo. Qualora il carico sia di grandi dimensioni, non provare a sollevare il pianale. Ridurre il carico, quindi sollevare il pianale.

ATTENZIONE: Dopo aver scaricato gli oggetti, accertarsi di bloccare il pianale o la vasca.

MANUTENZIONE

ATTENZIONE: Accertarsi sempre di parcheggiare la macchina su terreno in piano e bloccare la leva del freno, prima di riporla o tentare di effettuare ispezioni o manutenzione.

ATTENZIONE: Se sono installate le ruote posteriori, accertarsi che il freno della ruota posteriore sia bloccato, prima di riporre, ispezionare o sottoporre a manutenzione la macchina.

ATTENZIONE: Accertarsi sempre che la chiave di blocco e la cartuccia della batteria siano state rimosse dalla macchina, prima di riporla, sottoporla a ispezioni o a manutenzione.

ATTENZIONE: Rimuovere sempre la chiave di blocco quando la macchina non è in uso. Conservare la chiave di blocco in un luogo sicuro, fuori dalla portata dei bambini.

Controlli periodici

- Controllare che i bulloni e i dadi siano serrati saldamente.
► Fig.48
- Controllare che il pianale venga bloccato quando la leva di blocco viene abbassata fino in fondo.
► Fig.49: 1. Fermo del pianale 2. Leva di blocco
- Controllare che la leva del freno funzioni correttamente.
► Fig.50: 1. Leva del freno

AVVERTIMENTO: Qualora la leva del freno raggiunga la maniglia quando si preme a fondo la leva, il freno non sta funzionando correttamente. Regolare il freno, oppure rivolgersi al centro di assistenza Makita locale per le riparazioni.

- Controllare che la ruota anteriore non sia danneggiata o sgonfia. Controllare che l'aria nella gomma della ruota anteriore sia sufficiente.

Pulizia della macchina

AVVISO: Non utilizzare mai benzina, benzene, solventi, alcol o altre sostanze simili. In caso contrario, si potrebbero causare scolorimenti, deformazioni o crepe.

AVVISO: Versare l'acqua sotto il pianale o la vasca, quando si intende pulire la macchina con acqua corrente. Non utilizzare idropulitrici ad alta pressione per la pulizia.

Rimuovere fango, sporco e simili dalla macchina. Pulire la macchina con acqua corrente. Dopo la pulizia, passare sulla macchina un panno asciutto.

Conservazione

Rimuovere la chiave di blocco. Riporre la macchina in un luogo sicuro, fuori dalla portata dei bambini.

Quando si intende riporre la macchina, è possibile girare le maniglie verso il lato anteriore. Rimuovere i bulloni esagonali corti e i bulloni con spallamento utilizzando la chiave inclusa nella confezione. Girare le maniglie verso l'esterno, quindi ruotarle verso il lato anteriore. Serrare i bulloni con spallamento e i bulloni esagonali corti per fissare le maniglie.

► Fig.51: 1. Bullone con spallamento 2. Bullone esagonale corto

AVVISO: Non serrare i bulloni esagonali corti con forza eccessiva. Serrarli con la forza adeguata, in modo da fissare saldamente le maniglie.

AVVISO: Non schiacciare i cavi elettrici con i bulloni.

Regolazione del freno

ATTENZIONE: Se sono installate le ruote posteriori, accertarsi di bloccare il freno della ruota posteriore, prima di regolare il freno.

1. Sollevare il pianale o la vasca, quindi aprire il telaio del pianale.
► Fig.52: 1. Telaio del pianale
2. Premere la leva del freno per rilasciare il pulsante di blocco della leva del freno.
► Fig.53: 1. Pulsante di blocco 2. Leva del freno
3. Allentare il manicotto di regolazione e il dado di fissaggio.
► Fig.54: 1. Manicotto di regolazione 2. Dado di fissaggio
4. Serrare solo il dado di fissaggio.
► Fig.55: 1. Dado di fissaggio

5. Allentare il manicotto di regolazione e il dado di fissaggio.

► **Fig.56:** 1. Manicotto di regolazione 2. Dado di fissaggio

6. Serrare solo il dado di fissaggio.

► **Fig.57:** 1. Dado di fissaggio

7. Accertarsi che la leva del freno si trovi nella posizione a metà corsa quando viene premuta a fondo. Se la leva del freno si trova nella posizione a metà corsa, passare al punto 13. Se la leva del freno non si trova nella posizione a metà corsa, passare al punto 8.

► **Fig.58:** 1. Leva del freno

8. Allentare solo il dado di fissaggio.

► **Fig.59:** 1. Dado di fissaggio

9. Serrare il dado di fissaggio e il manicotto di regolazione assieme.

► **Fig.60:** 1. Manicotto di regolazione 2. Dado di fissaggio

10. Allentare solo il dado di fissaggio.

► **Fig.61:** 1. Dado di fissaggio

11. Serrare il dado di fissaggio e il manicotto di regolazione assieme.

► **Fig.62:** 1. Manicotto di regolazione 2. Dado di fissaggio

12. Accertarsi che la leva del freno si trovi nella posizione a metà corsa quando viene premuta a fondo.

► **Fig.63:** 1. Leva del freno

13. Piegarlo il telaio del pianale, quindi montare il pianale o la vasca.

► **Fig.64:** 1. Telaio del pianale

Per ottenere ulteriori dettagli relativamente a questi accessori, rivolgersi a un centro di assistenza Makita.

- Pianale
- Vasca
- Ruote ausiliarie
- Batteria e caricabatterie originali Makita

NOTA: Alcuni articoli nell'elenco potrebbero essere inclusi nell'imballaggio dell'utensile come accessori standard. Tali articoli potrebbero variare da nazione a nazione.

Gonfiaggio della gomma con aria

Controllare che l'aria nella gomma della ruota anteriore non sia insufficiente. Qualora l'aria nella gomma sia insufficiente, gonfiare la gomma con aria utilizzando un gonfiatoio. La pressione della gomma consigliata è di 230 kPa.

► **Fig.65**

ACCESSORI OPZIONALI

⚠ATTENZIONE: Questi accessori o componenti aggiuntivi sono consigliati per l'uso con l'utensile Makita specificato nel presente manuale.

L'impiego di altri accessori o componenti aggiuntivi può costituire un rischio di lesioni alle persone.

Utilizzare gli accessori o i componenti aggiuntivi solo per il loro scopo prefissato.

⚠ATTENZIONE: Utilizzare esclusivamente accessori o componenti aggiuntivi Makita per la macchina. L'utilizzo di qualsiasi altro accessorio o componente aggiuntivo potrebbe risultare in gravi lesioni personali.

TECHNISCHE GEGEVENS

Model:		DCU180
Afmetingen (l x b x h)	Wanneer het draagrek is aangebracht	Tijdens gebruik: 1.315 mm x 1.060 mm x 900 mm In opslag: 1.110 mm x 820 mm x 820 mm
	Wanneer de laadbak is aangebracht	Tijdens gebruik: 1.310 mm x 820 mm x 900 mm In opslag: 1.110 mm x 820 mm x 820 mm
Rijsnelheid	Vooruit	1,5 of 3,5 km/h
	Achteruit	1,0 km/h
Minimumdraaicirkel		1.075 mm (buitendiameter bij draaien om het voorwiel)
Maximumhellinggraad		12°
Maximumlaadvermogen		130 kg
Rem	Voorwiel	Schijfrem via kabel
	Achterwiel	Vast via pedaal
Band	Voorwiel	Tubeless band
	Achterwiel	Zelfafdichtende band
Nominale spanning		18 V gelijkspanning
Nettogewicht	Wanneer het draagrek is aangebracht	45 kg
	Wanneer de laadbak is aangebracht	39 - 40 kg

- In verband met ononderbroken research en ontwikkeling, behouden wij ons het recht voor de bovenstaande technische gegevens zonder voorafgaande kennisgeving te wijzigen.
- De technische gegevens van de accu kunnen van land tot land verschillen.
- Het gewicht kan verschillen afhankelijk van de hulpstukken, waaronder de accu. De lichtste en zwaarste combinatie, overeenkomstig de EPTA-procedure 01/2014, worden getoond in de tabel.

Toepasselijke accu's en laders

Accu	BL1815N / BL1820 / BL1820B / BL1830 / BL1830B / BL1840 / BL1840B / BL1850 / BL1850B / BL1860B
Lader	DC18RC / DC18RD / DC18RE / DC18SD / DC18SE / DC18SF

- Sommige van de hierboven vermelde accu's en laders zijn mogelijk niet leverbaar afhankelijk van waar u woont.

⚠ WAARSCHUWING: Gebruik uitsluitend de accu's en laders die hierboven worden genoemd. Gebruik van enige andere accu of lader kan leiden tot letsel en/of brand.

Symbolen

Hieronder staan de symbolen die voor het gereedschap worden gebruikt. Zorg ervoor dat u weet wat ze betekenen alvorens het gereedschap te gebruiken.



Lees de gebruiksaanwijzing.



Ni-MH
Li-ion

Alleen voor EU-landen
Geef elektrisch gereedschap en accu's niet met het huisvuil mee!
Volgens de Europese richtlijn inzake oude elektrische en elektronische apparaten, en inzake batterijen en accu's en oude batterijen en accu's, en de toepassing daarvan binnen de nationale wetgeving, dienen elektrisch gereedschap, accu's en batterijen die het einde van hun levensduur hebben bereikt, gescheiden te worden ingezameld en te worden afgevoerd naar een recyclebedrijf dat voldoet aan de geldende milieu-eisen.



Trek de vergrendelhandel helemaal omlaag en controleer of het draagrek of de laadbak vergrendeld is.



Verander op een steile helling niet van richting.



Laad en los de voorwerpen op een horizontale ondergrond.



Laad voorwerpen gelijkmatig op het draagrek of in de laadbak.



Dit gereedschap kan niet worden gebruikt op de openbare weg.



Gebruik het gereedschap niet voor het vervoeren van personen.



Stel niet bloot aan regen.



Om de pieptoon te stoppen, laat u de trekkerschakelaar los en knijpt u de remhendel in.



Kijk niet rechtstreeks in de lichtbundel.

Gebruiksdoeleinden

Het gereedschap is bedoeld voor het laden en dragen van voorwerpen ondersteund door accuvoeding.

Geluidsniveau

De typische, A-gewogen geluidsniveaus zijn gemeten volgens EN62841:

Geluidsdrukniveau (L_{pA}): 70 dB (A) of lager
Onzekerheid (K): 3 dB (A)

Het geluidsniveau kan tijdens gebruik hoger worden dan 80 dB (A).

OPMERKING: De opgegeven geluidsemissiewaarde(n) is/zijn gemeten volgens een standaardtestmethode en kan/kunnen worden gebruikt om dit gereedschap te vergelijken met andere gereedschappen.

OPMERKING: De opgegeven geluidsemissiewaarde(n) kan/kunnen ook worden gebruikt voor een beoordeling vooraf van de blootstelling.

WAARSCHUWING: Draag gehoorbescherming.

WAARSCHUWING: De geluidsemissie tijdens het gebruik van het elektrisch gereedschap in de praktijk kan verschillen van de opgegeven waarde(n) afhankelijk van de manier waarop het gereedschap wordt gebruikt, met name van het soort werkstuk waarmee wordt gewerkt.

WAARSCHUWING: Zorg ervoor dat veiligheidsmaatregelen worden getroffen ter bescherming van de gebruiker die zijn gebaseerd op een schatting van de blootstelling onder praktijkomstandigheden (rekening houdend met alle fasen van de bedrijfscyclus, zoals de tijdsduur gedurende welke het gereedschap is uitgeschakeld en stationair draait, naast de ingeschakelde tijdsduur).

Trilling

De totale trillingswaarde (triaxiale vectorsom) zoals vastgesteld volgens EN62841:

Gebruikstoepassing: onbelaste werking

Trillingsemissie (a_n): 2,5 m/s² of lager

Onzekerheid (K): 1,5 m/s²

OPMERKING: De totale trillingswaarde(n) is/zijn gemeten volgens een standaardtestmethode en kan/kunnen worden gebruikt om dit gereedschap te vergelijken met andere gereedschappen.

OPMERKING: De opgegeven totale trillingswaarde(n) kan/kunnen ook worden gebruikt voor een beoordeling vooraf van de blootstelling.

WAARSCHUWING: De trillingsemissie tijdens het gebruik van het elektrisch gereedschap in de praktijk kan verschillen van de opgegeven waarde(n) afhankelijk van de manier waarop het gereedschap wordt gebruikt, met name van het soort werkstuk waarmee wordt gewerkt.

WAARSCHUWING: Zorg ervoor dat veiligheidsmaatregelen worden getroffen ter bescherming van de gebruiker die zijn gebaseerd op een schatting van de blootstelling onder praktijkomstandigheden (rekening houdend met alle fasen van de bedrijfscyclus, zoals de tijdsduur gedurende welke het gereedschap is uitgeschakeld en stationair draait, naast de ingeschakelde tijdsduur).

EG-verklaring van conformiteit

Alleen voor Europese landen

De EG-verklaring van conformiteit is bijgevoegd als Bijlage A bij deze gebruiksaanwijzing.

VEILIGHEIDSWAARSCHUWINGEN

Algemene veiligheidswaarschuwingen voor elektrisch gereedschap

WAARSCHUWING: Lees alle veiligheidswaarschuwingen, aanwijzingen, afbeeldingen en technische gegevens behorend bij dit elektrische gereedschap aandachtig door. Als u niet alle onderstaande aanwijzingen naleeft, kan dat resulteren in brand, elektrische schokken en/of ernstig letsel.

Bewaar alle waarschuwingen en instructies om in de toekomst te kunnen raadplegen.

De term "elektrisch gereedschap" in de veiligheidsvoorschriften duidt op gereedschappen die op stroom van het lichtnet werken (met snoer) of gereedschappen met een accu (snoerloos).

Veiligheidswaarschuwingen voor een accuaangedreven kruiwagen

- 1. Draag tijdens gebruik van het gereedschap altijd slipvast veiligheidsschoeisel.** Slipvaste, dichte veiligheidsschoenen of -laarzen verlagen de kans op letsel.
- 2. Inspecteer de af te leggen route voordat u voorwerpen/materialen erover transporteert.** Door uzelf bekend te maken met de route en u ervan te verzekeren dat de route breed genoeg is om het gereedschap met lading veilig erover te kunnen manoeuvreren, verlaagt u de kans op verlies van controle over het gereedschap.
- 3. Wees uiterst voorzichtig op een gladde, losse en instabiele ondergrond.** Natte en gladde oppervlakken, zoals nat gras, sneeuw en ijs, en losse en instabiele ondergronden, zoals zand of grind, kunnen ertoe leiden dat het gereedschap tractie verliest en kunnen de besturing, het remmen en de stabiliteit nadelig beïnvloeden.
- 4. Gebruik het gereedschap niet op zeer steile hellingen.** Hiermee wordt de kans verkleind op verlies van controle, slippen en vallen die kunnen leiden tot persoonlijk letsel. Hellingen steiler dan de maximaal aanbevolen hellingsgraad en zijdelingse hellingen kunnen de kans op instabiliteit vergroten en kunnen het vermogen om veilig te stoppen nadelig beïnvloeden.
- 5. Verzekeer u bij het werken op hellingen er altijd van dat u stevig staat, werk altijd dwars op de helling, nooit hellingopwaarts of -afwaarts, en wees uiterst voorzichtig bij het veranderen van richting.** Hiermee wordt de kans verkleind op verlies van controle, slippen en vallen die kunnen leiden tot persoonlijk letsel.
- 6. Gebruik indien mogelijk een vlak gebied om te stoppen, laden en lossen, en laat het gereedschap nooit achter op een helling.** Het gereedschap is instabiel wanneer hij op een helling staat dan wanneer hij op een horizontale ondergrond staat.
- 7. Wanneer op een helling wordt gestopt, richt u het gereedschap hellingopwaarts of -afwaarts, en blokkeert u de ongeremde wielen.** Het gereedschap is minder stabiel wanneer het dwars op een helling staat. Ongeredemde wielen, met name zwenkwielen, kunnen mogelijk zwenken en hellingafwaarts rollen ondanks dat de parkeerrem van het voorwiel is aangetrokken.
- 8. Als het gereedschap onbeheerd wordt achtergelaten, zet u het gereedschap op een veilige plaats neer en trekt u de parkeerrem aan.** De parkeerrem voorkomt ongewenste beweging van het voorwiel en kan de stabiliteit verbeteren.
- 9. Zorg ervoor dat oprijplaten schoon, sterk en veilig zijn.** Om de kans op letsel te verkleinen, moeten alle oprijplaten vrij zijn van los afval en sterk genoeg zijn om het gewicht te dragen van de lading die u erover verwacht te vervoeren. Ze moeten eronder en aan de zijkant afdoende gestut zijn om doorbuigen en zijdelingse beweging te voorkomen wanneer een lading erover wordt vervoerd. Alle oprijplaten moeten breed genoeg zijn en stevig geplaatst zijn wanneer ladingen erover vervoerd worden.
- 10. Verzekeer u ervan dat de stortbak omlaag staat en storthekken stevig vergrendeld zijn wanneer de lading niet wordt gestort en tijdens opslag van het gereedschap.** Niet-vergrendelde stortbakken en storthekken kunnen onverwachts open gaan of verschuiven.
- 11. Gebruik geen oprijplaten over een open ruimte zonder opstaande zijrand of relingen.** Hooggelegen open ruimten en open geulen vragen om ongelukken en verhogen de kans op ernstig letsel. Gebruik een opstaande zijrand of relingen langs oprijplaten over open ruimten om te voorkomen dat het gereedschap van de oprijplaat af rijdt.
- 12. Verzekeer u er vóór gebruik van dat alle borgbouten stevig aangedraaid zijn.** Borgbouten op de achterwielen en de voor- en zijwanden van het open draagrek moeten stevig vast zitten om ongewenste beweging van deze verstelbare onderdelen van het gereedschap te voorkomen.
- 13. Gebruik het gereedschap nooit wanneer het overbelast is.** Verzekeer u ervan dat het gereedschap het juiste draagvermogen heeft voor de voorwerpen of materialen die u wilt vervoeren. Buitensporige ladingen maken het manoeuvreren en stoppen met het gereedschap moeilijker, verlengen de stoptijd en -afstand, en verhogen het gevaar van instabiliteit.
- 14. Gebruik het gereedschap nooit met te hoog opgestapelde lading.** Als het materiaal tot boven de randen van de laadbak of het draagrek wordt geladen, kan het gereedschap in onbalans raken en onbeheersbaar worden.
- 15. Gebruik containers en trekbanden om de lading vast te zetten.** Losse en/of niet-vastgezette ladingen verschuiven gemakkelijker waardoor onbalans en verlies van controle kunnen ontstaan.
- 16. Houd de handgrepen altijd goed vast.** Verlies van controle kan de kans op persoonlijk letsel verhogen.
- 17. Haal de veiligheidssleutel eruit wanneer het gereedschap niet in gebruik is.** De veiligheidssleutel voorkomt ongewenst aangedreven gebruik van het gereedschap, zoals door kinderen of andere onervaren of onbevoegde personen. Zonder de sleutel kan de elektrische aandrijving niet worden ingeschakeld.
- 18. Dit gereedschap mag niet worden gebruikt op de openbare weg.** Het gebruik van de kruiwagen op de openbare weg is tegen de wet en kan aanleiding geven tot een boete, en kan daarnaast leiden tot persoonlijk letsel.
- 19. Gebruik een stevige rijplaat met een antisliplaag en losbreekbeveiliging wanneer u dit gereedschap voor transport inlaadt of lost, of met dit gereedschap van het ene naar het andere hoogteniveau rijdt.** Verzekeer u ervan dat de hellingsgraad van de rijplaat niet groter is dan 12°, en bedien het gereedschap langzaam en voorzichtig. Een instabiele of snelle bediening kan ertoe leiden dat het gereedschap omslaat en/of valt.
- 20. U mag het gereedschap niet uit elkaar halen, repareren of wijzigen.**

Gebruik

1. Sta tijdens gebruik van het gereedschap achter het gereedschap en houd de handgrepen stevig vast.
2. Gebruik het gereedschap niet terwijl u op het gereedschap meerijdt.
3. Sta niet toe dat anderen meerijden op het gereedschap.
4. Wanneer het gereedschap in zijn achteruit wordt gebruikt en u achteruit loopt, moet u achterom kijken en voorzichtig zijn niet uit te glijden of te struikelen.
5. Gebruik het gereedschap niet bij slecht zicht omdat de kans bestaat dat u tegen obstakels botst.
6. Als het gereedschap op een ongelijke ondergrond wordt gebruikt, verlaagt u de rijsnelheid en bent u voorzichtig.
7. Vermijd tijdens gebruik van het gereedschap een zachte ondergrond om te voorkomen dat het gereedschap omkiept wanneer de weg-berm inzakt.
8. Gebruik het gereedschap niet op omhooglopende hellingen van meer dan 12°.
9. Als u iets abnormaals opmerkt, stopt u het gereedschap op een horizontale ondergrond. Knijp voordat u het gereedschap inspecteert de remhendel in en vergrendel de remmen, en schakel vervolgens de stroom uit.
10. Verzeker u ervan voordat u het gereedschap gebruikt dat de vergrendelhendel helemaal omlaag is getrokken en volledig is vergrendeld. Als de vergrendeling onvolledig is, bestaat de kans op een ongeval omdat het draagrek of de laadbak kan kantelen, en de lading valt terwijl u hellingafwaarts rijdt.
11. Wees voorzichtig dat de kabels niet in de war raken met de lading of obstakels.

Gebruik op hellingen

1. Kruis geen hellingen.
2. Denk eraan de rijsnelheid te verlagen en voorzichtig te zijn.
3. Wees voorzichtig bij het starten en stoppen van het gereedschap op een helling.
4. Aangezien de lading minder stabiel is op een helling, dient u de lading stevig vast te zetten met touwen.
5. Aangezien het gereedschap instabiel wordt afhankelijk van de staat van de weg, houdt u de lading zo klein mogelijk.
6. Aangezien op een helling het zicht belemmerd wordt, houdt u de hoogte van de lading zo laag mogelijk.
7. Parkeer het gereedschap nooit op een steile helling. Parkeer het gereedschap op een horizontale ondergrond, knijp de remhendel in en vergrendel de rem, en schakel daarna de voeding uit.
8. Verander op een steile helling niet van richting of snelheidsfunctie.
9. Laat de trekkerschakelaar niet los op omhooglopende hellingen. Het gereedschap kan achteruit rollen en een ongeval veroorzaken.

10. Verzeker u ervan dat de resterende acculading voldoende is voordat u het gereedschap op een helling gebruikt. Als de resterende acculading onvoldoende is, laad u de accu op of vervangt u deze door een opgeladen accu.

Voorwerpen laden

1. Laad niet te veel voorwerpen. Zorg ervoor dat u bij het laden van voorwerpen de instructies en laadbeperkingen in de gebruiksaanwijzing in acht neemt.
2. Zet de voorwerpen stevig vast met touwen.
3. Laad de voorwerpen binnen het draagrek of de laadbak. Als de voorwerpen buiten het draagrek of de laadbak steken, bestaat de kans op ongevallen als gevolg van vallende voorwerpen of botsingen met obstakels, zoals muren.
4. Zorg ervoor dat geladen voorwerpen onder ooghoogte blijven. Als de lading te hoog is, is het gevaarlijk omdat het zicht wordt belemmerd. Bovendien bestaat de kans op omkiepen en letsel omdat de lading waarschijnlijk niet in balans is.
5. Laad de voorwerpen gelijkmatig op het draagrek of in de laadbak. Als de voorwerpen ongelijkmatig worden geladen, bestaat de kans op omkiepen en letsel omdat de lading waarschijnlijk niet in balans is.
6. Verzeker u ervan voordat u de voorwerpen laadt of het gereedschap gebruikt dat de vergrendelhendel omlaag is getrokken en volledig is vergrendeld.
7. Zorg ervoor dat zware voorwerpen eerst worden geladen voor een goede balans.
8. Trek de voor- en zijrails niet uit op hellingen. Trek de zijrails uit wanneer lichtgewicht voorwerpen worden geladen.
9. Wanneer u de voor- en zijrails uittrekt, trekt u ze niet verder uit dan de grensmarkering. Verzeker u ervan dat de zijrails aan de linker- en rechterkant even ver worden uitgetrokken en de lading gelijkmatig wordt geladen.
10. Laad en los de voorwerpen op een horizontale ondergrond.
11. Houd bij het optillen van het draagrek of de laadbak de handgrepen en het frame stevig vast, en werk vanuit een stabiele houding.

Onderhoud

1. Alvorens het gereedschap op te slaan of inspectie- of onderhoudswerkzaamheden uit te voeren, verzekert u zich er altijd van dat het gereedschap op een horizontale ondergrond is geparkeerd en de remhendel is vergrendeld.

BEWAAR DEZE VOORSCHRIFTEN.

⚠️WAARSCHUWING: Laat u NIET misleiden door een vals gevoel van comfort en bekendheid met het gereedschap (na veelvuldig gebruik) en neem alle veiligheidsvoorschriften van het betreffende gereedschap altijd strikt in acht. VERKEERD GEBRUIK of het niet naleven van de veiligheidsvoorschriften in deze gebruiksaanwijzing kan leiden tot ernstig letsel.

Belangrijke veiligheidsinstructies voor een accu

1. Lees alle voorschriften en waarschuwingen op (1) de acculader, (2) de accu, en (3) het product waarvoor de accu wordt gebruikt, alvorens de accu in gebruik te nemen.
2. Neem de accu niet uit elkaar.
3. Als de gebruiktijd van een opgeladen accu aanzienlijk korter is geworden, moet u het gebruik ervan onmiddellijk stopzetten. Voortgezet gebruik kan oververhitting, brandwonden en zelfs een ontploffing veroorzaken.
4. Als elektrolyt in uw ogen is terechtgekomen, spoelt u uw ogen met schoon water en roept u onmiddellijk de hulp van een dokter in. Elektrolyt in de ogen kan blindheid veroorzaken.
5. Voorkom kortsluiting van de accu:
 - (1) Raak de acculemmen nooit aan met een geleidend materiaal.
 - (2) Bewaar de accu niet in een bak waarin andere metalen voorwerpen zoals spijkers, munten e.d. worden bewaard.
 - (3) Stel de accu niet bloot aan water of regen. Kortsluiting van de accu kan oorzaak zijn van een grote stroomafgifte, oververhitting, brandwonden, en zelfs defecten.
6. Bewaar het gereedschap en de accu niet op plaatsen waar de temperatuur kan oplopen tot 50°C of hoger.
7. Werp de accu nooit in het vuur, ook niet wanneer hij zwaar beschadigd of volledig versleten is. De accu kan ontploffen in het vuur.
8. Wees voorzichtig dat u de accu niet laat vallen en hem niet blootstelt aan schokken of stoten.
9. Gebruik nooit een beschadigde accu.
10. De bijgeleverde lithium-ionbatterijen zijn onderhevig aan de vereisten in de wetgeving omtrent gevaarlijke stoffen.

Voor commercieel transport en dergelijke door derden en transporteurs moeten speciale vereisten ten aanzien van verpakking en etikettering worden nageleefd.

Als voorbereiding van het artikel dat wordt getransporteerd is het noodzakelijk een expert op het gebied van gevaarlijke stoffen te raadplegen. Houd u tevens aan mogelijk strengere nationale regelgeving.

Blootliggende contactpunten moeten worden afgedekt met tape en de accu moet zodanig worden verpakt dat deze niet kan bewegen in de verpakking.
11. Volg bij het weggooien van de accu de plaatselijke voorschriften.
12. Gebruik de accu's uitsluitend met de gereedschappen die door Makita zijn aanbevolen. Als de accu's worden aangebracht in niet-compatibele gereedschappen, kan dat leiden tot brand, buitensporige warmteontwikkeling, een explosie of lekkage van elektrolyt.

BEWAAR DEZE INSTRUCTIES.

⚠ LET OP: Gebruik uitsluitend originele Makita accu's. Het gebruik van niet-originele accu's, of accu's die zijn gewijzigd, kan ertoe leiden dat de accu ontploft en brand, persoonlijk letsel en schade veroorzaakt. Ook vervalt daarmee de garantie van Makita op het gereedschap en de lader van Makita.

Tips voor een maximale levensduur van de accu

1. Laad de accu op voordat hij volledig ontladen is. Stop het gebruik van het gereedschap en laad de accu op telkens wanneer u vaststelt dat het vermogen van het gereedschap is afgenomen.
2. Laad een volledig opgeladen accu nooit opnieuw op. Te lang opladen verkort de levensduur van de accu.
3. Laad de accu op bij een omgevingstemperatuur tussen 10°C en 40°C. Laat een warme accu afkoelen alvorens hem op te laden.
4. Laad de accu op als u deze gedurende een lange tijd (meer dan zes maanden) niet gaat gebruiken.

BESCHRIJVING VAN DE ONDERDELEN

Beschrijving van de onderdelen (wanneer het draagrek is aangebracht)

► Fig.1

1	Bedieningspaneel	2	Handgreep
3	Trekkerschakelaar	4	Accubak
5	Remhendel voor voorwiel	6	Achterwiel
7	Rempedaal voor achterwiel	8	Lamp
9	Voorwiel	10	Draagrek

Beschrijving van de onderdelen (wanneer de laadbak is aangebracht)

► Fig.2

1	Bedieningspaneel	2	Handgreep
3	Trekkerschakelaar	4	Accubak
5	Remhendel voor voorwiel	6	Achterwiel
7	Rempedaal voor achterwiel	8	Lamp
9	Voorwiel	10	Laadbak

MONTAGE

⚠ LET OP: Verzeker u er altijd van dat het gereedschap is uitgeschakeld en de accu is verwijderd voordat u enige werkzaamheden aan het gereedschap uitvoert.

Het gereedschap in elkaar zetten

1. Haal het onderstel en de handgrepen uit de doos.
▶ Fig.3

KENNISGEVING: Zorg ervoor dat u het onderstel en de handgrepen er tezamen uit haalt zodat geen buitensporige kracht wordt uitgeoefend op de kabels.

2. Plaats het verpakkingsmateriaal onder de achterkant van het onderstel.
▶ Fig.4: 1. Verpakkingsmateriaal
3. Steek de achterwielen op het frame.
▶ Fig.5: 1. Achterwiel
▶ Fig.6: 1. Achterwiel

OPMERKING: In plaats van de achterwielen, kunnen ook de steunpoten worden bevestigd.

4. Schuif de veerring en de ring op de korte zeskantbout en haal deze vervolgens aan met behulp van de sleutel die in de verpakking is meegeleverd.
▶ Fig.7: 1. Korte zeskantbout 2. Veerring 3. Ring
▶ Fig.8

KENNISGEVING: Verzeker u ervan dat de korte zeskantbouten worden gebruikt om de achterwielen te monteren.

KENNISGEVING: Bevestig de achterwielen aan beide kanten in dezelfde stand.

5. Breng de handgrepen omhoog en steek ze in het onderstel.
▶ Fig.9

KENNISGEVING: Sta niet toe dat de kabels in gebied "A" van de afbeelding komen. Lange voorwerpen kunnen de kabels raken en een ongeval veroorzaken.

KENNISGEVING: Oefen bij het omhoog brengen en insteken van de handgrepen geen buitensporige kracht uit op de kabels.

KENNISGEVING: Gebruik beide handen bij het omhoog brengen van de handgrepen.

6. Kantel het kantelframe voorover.
▶ Fig.10: 1. Kantelframe
7. Klap de handgrepen naar buiten, steek de lange zeskantbouten in het onderstel, en draai vervolgens de moeren vast met behulp van de sleutel die in de verpakking is meegeleverd.
▶ Fig.11: 1. Lange zeskantbout
8. Draai vanaf de achterkant de borstbouten vast met behulp van de sleutel die in de verpakking is meegeleverd.
▶ Fig.12: 1. Borstbout

9. Draai de korte zeskantbouten vanaf beide kanten vast met behulp van de sleutel die in de verpakking is meegeleverd om de handgrepen vast te zetten.

▶ Fig.13: 1. Korte zeskantbout

KENNISGEVING: Draai de korte zeskantbouten niet met buitensporige kracht vast. Draai ze met voldoende kracht vast zodat de handgrepen stabiel vast zitten.

KENNISGEVING: Zorg ervoor dat de kabels niet bekneld raken door de bouten.

10. Klem de kabels vast met behulp van de klemmen.
▶ Fig.14: 1. Klem
11. Kantel het kantelframe achterover.
▶ Fig.15: 1. Kantelframe
12. Druk op de vergrendelknop terwijl u de remhendel inknijpt om de rem te vergrendelen.
▶ Fig.16: 1. Vergrendelknop 2. Remhendel

⚠ LET OP: Als de achterwielen zijn gemonteerd, duwt u op het rempedaal van het achterwiel om het achterwiel te vergrendelen.

13. Haak de draagrekvergrendeling vast en trek daarna de vergrendelhendel omlaag om het draagrek te vergrendelen.
▶ Fig.17: 1. Draagrekvergrendeling
2. Vergrendelhendel

KENNISGEVING: Verzeker u ervan dat de vergrendelhendel stevig vergrendeld is.

KENNISGEVING: Zorg ervoor dat de kabels niet bekneld raken door de vergrendelhendel.

OPMERKING: Als u de steunpoten wilt bevestigen in plaats van de achterwielen, verwijderd u de achterwielen vanaf het frame en brengt u de steunpoten aan op het frame.

▶ Fig.18: 1. Achterwiel 2. Steunpoot

Het draagrek in elkaar zetten en aanbrengen

Optioneel accessoire

1. Haal het draagrek uit de doos, bevestig de zijrails aan het bodemrek, en draai daarna de vingerschroeven vast om de rails vast te zetten.
▶ Fig.19: 1. Vingerschroef
2. Leg het draagrek op het onderstel en steek daarna de zeskantbouten en ringen vanaf de bovenkant in het frame. Draai de ringen, veeringen en vleugelmoeren vanaf de onderkant vast om het draagrek vast te maken.
▶ Fig.20: 1. Lange zeskantbout 2. Korte zeskantbout 3. Ring 4. Veerring 5. Vleugelmoer

KENNISGEVING: Gebruik de lange bouten voor de voorkant en de korte bouten voor de achterkant.

De laadbak aanbrengen

Optioneel accessoire

Leg de laadbak op het onderstel, steek de zeskantbouten in het frame, en draai daarna de ringen, veerringen en vleugelmoeren vanaf de onderkant vast om de laadbak vast te maken.

- **Fig.21:** 1. Zeskantbout 2. Ring 3. Veerring
4. Vleugelmoer

BESCHRIJVING VAN DE FUNCTIES

De accu aanbrengen en verwijderen

⚠ LET OP: Schakel het gereedschap altijd uit voordat u de accu aanbrengt of verwijdert.

⚠ LET OP: Zorg dat u voor gebruik het accudeksel stevig afsluit. Anders zou er modder, vuil en water in kunnen komen en het gereedschap of de accu kunnen beschadigen.

⚠ LET OP: Breng de accu altijd helemaal aan totdat het rode deel niet meer zichtbaar is. Als u dit niet doet, kan de accu per ongeluk uit het gereedschap vallen en letsel veroorzaken bij u of anderen in uw omgeving.

⚠ LET OP: Druk de accu er niet met kracht in. Als de accu er niet soepel in schuift, houdt u die waarschijnlijk in de verkeerde stand.

⚠ LET OP: Gebruik niet een accu voor hoge temperatuur. Als u een accu voor hoge temperatuur gebruikt, stopt het gereedschap automatisch en klinkt een korte pieptoon, en kan letsel worden veroorzaakt.

De accu aanbrengen

1. Draai de vergrendelhendel en open daarna het deksel van de accubak.
► **Fig.22:** 1. Vergrendelhendel 2. Deksel
2. Lijn de lip van de accu uit met de gleuf van de accubak, en schuif daarna de accu totdat deze op zijn plaats wordt vergrendeld met een klein klikgeluid. Als u het rode deel aan de bovenkant van de knop kunt zien, is de accu niet goed aangebracht.
► **Fig.23:** 1. Accu
3. Steek de contactsleutel in op de plaats die in de afbeelding is aangegeven, zover de sleutel gaat.
► **Fig.24:** 1. Contactsleutel

OPMERKING: Als de vergrendelsleutel niet helemaal wordt geplaatst, werkt het gereedschap niet.

4. Sluit het deksel van de accubak en draai daarna de vergrendelhendel.
► **Fig.25:** 1. Vergrendelhendel 2. Deksel

De accu verwijderen

1. Draai de vergrendelhendel en open daarna het deksel van de accubak.
2. Verschuif de knop aan de voorkant van de accu en trek tegelijkertijd de accu uit de accubak.
► **Fig.26:** 1. Knop
3. Trek de contactsleutel eruit.
4. Sluit het deksel van de accubak en draai daarna de vergrendelhendel.

Beveiligingssysteem voor gereedschap/accu

Het gereedschap is uitgerust met een beveiligingssysteem voor gereedschap/accu. Dit systeem schakelt automatisch de voeding naar de motor uit om de levensduur van het gereedschap en de accu te verlengen.

Het gereedschap kan tijdens het gebruik automatisch stoppen als het gereedschap of de accu aan één van de volgende omstandigheden wordt blootgesteld. Een korte pieptoon klinkt voordat het gereedschap automatisch stopt. De accu-indicators en LED-indicators knippen terwijl de pieptoon klinkt.

Overbelastingsbeveiliging

Wanneer het gereedschap wordt bediend op een manier waarop het een abnormaal hoge stroomsterkte trekt, stopt het gereedschap automatisch zonder enige waarschuwing. In dat geval schakelt u het gereedschap uit en heft u de oorzaak van de overbelasting op, en schakelt u daarna het gereedschap weer in.

Oververhittingsbeveiliging

Wanneer het gereedschap oververhit is, stopt het gereedschap automatisch. Laat het gereedschap afkoelen voordat u het gereedschap weer inschakelt. De oververhittingsbeveiliging treedt vaker in werking bij een hoge omgevingstemperatuur.

Beveiliging tegen te ver ontladen

Als de acculading laag is, stopt het gereedschap automatisch. Als het gereedschap niet werkt, ook niet wanneer de schakelaars worden bediend, verwijdert u de accu en laadt u hem op.

De accu omschakelen

- **Fig.27:** 1. Accukeuzeschakelaar

Maximaal twee accu's kunnen worden aangebracht in de accubak, ondanks dat het gereedschap slechts één accu gebruikt voor de aandrijving. Alvorens het apparaat te gebruiken, kiest u de accu die voor de aandrijving wordt gebruikt door op het cijfer op de accukeuzeschakelaar te drukken.









KENNISGEVING: Als slechts één accu in de accubak is aangebracht, verzekert u zich ervan dat de accu is gekozen die is aangebracht in de accubak.

De resterende acculading afbeelden op de accubak

LET OP: Stop altijd het gereedschap voordat u de resterende acculading controleert of de accu omschakelt.

► **Fig.28:** 1. Accu-indicatorlampje 2. Testknop

Druk op de testknop om de resterende acculadingen te zien. De accu-indicatorlampjes geven per accu de resterende acculading aan.

Toestand van accu-indicator		Resterende acculading
Aan	Uit	
		50% tot 100%
		20% tot 50%
		0% tot 20%
		Accu niet aangebracht

LET OP: Wanneer de acculading laag wordt, klinkt een korte pieptoon. Als u het gereedschap met een lage acculading blijft gebruiken, klinkt een lange pieptoon en stopt het gereedschap automatisch. Wanneer u de korte pieptoon hoort, knijpt u de remhendel in en vergrendelt u de rem, en schakelt u vervolgens de accu over naar een opgeladen accu of laad u de accu op. Wanneer de resterende acculading op is, stopt het gereedschap automatisch plotseling, waardoor letsel kan ontstaan.

OPMERKING: Als u de trekkerschakelaar blijft inknijpen, ook nadat u de korte pieptoon hebt gehoord, stopt het gereedschap automatisch. Nadat het gereedschap automatisch is gestopt, blijft de pieptoon klinken en wordt de hulprem (elektrische rem) aangehouden. Om de pieptoon te stoppen en de hulprem vrij te geven, knijpt u de remhendel in en laat u de trekkerschakelaar los. Duw niet met kracht tegen het gereedschap zonder de hulprem vrij te geven. Nadat de hulprem is vrijgegeven, kunt u zien welk accubeveiligingssysteem in werking is getreden door naar de staat van de accu-indicator te kijken.

► **Fig.29:** 1. Brandt 2. Knippert 3. Uit
4. Oververhittingsbeveiliging
5. Overontladingsbeveiliging
6. Overbelastingsbeveiliging

LET OP: Als de pieptoon klinkt tijdens het werken op een helling of als het gereedschap automatisch stopt op een helling, verplaatst u het gereedschap naar een veilige plaats, vergrendelt u de rem, en schakelt u vervolgens de accu over naar een opgeladen accu of laad u de accu op.

Als de belading zwaar is en de pieptoon klinkt tijdens het werken op een helling of als het gereedschap automatisch stopt op een helling, mag u het gereedschap niet met kracht verplaatsen. Vergrendel de rem, let op de veiligheid en schakel de accu over naar een opgeladen accu, en verplaats daarna het gereedschap naar een veilige plaats. Verklein de lading voordat u het gereedschap weer gebruikt.



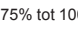


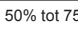


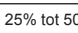


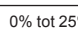

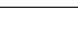
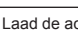


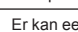


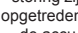
OPMERKING: U kunt de resterende acculading ook controleren wanneer de vergrendelsleutel niet is geplaatst.

De resterende acculading controleren

Alleen voor accu's met indicatorlampjes

► **Fig.30:** 1. Indicatorlampjes 2. Testknop

Druk op de testknop op de accu om de resterende acculading te zien. De indicatorlampjes branden gedurende enkele seconden.

Indicatorlampjes			Resterende acculading
Brandt	Uit	Knippert	
			75% tot 100%
			50% tot 75%
			25% tot 50%
			0% tot 25%
			Laad de accu op.
			Er kan een storing zijn opgetreden in de accu.
			

OPMERKING: Afhankelijk van de gebruiksomstandigheden en de omgevingstemperatuur, is het mogelijk dat de aangegeven acculading verschilt van de werkelijke acculading.

Bedieningspaneel

► **Fig.31:** 1. Aan-uitknop 2. Vooruit-achteruitknop 3. Snelheidsknop

Om de voeding in te schakelen, houdt u de aan-uitknop gedurende enkele seconden ingedrukt. Druk op de vooruit-achteruitknop om om te schakelen tussen de vooruitrijfunctie en de achteruitrijfunctie. Druk op de snelheidsknop om om te schakelen tussen lage rijsnelheid en hoge rijsnelheid. Wanneer de voeding wordt ingeschakeld, worden de vooruitrijfunctie en de lage rijsnelheid ingesteld. Om de voeding uit te schakelen, houdt u de aan-uitknop gedurende enkele seconden ingedrukt.

OPMERKING: De vooruit-achteruitknop kan niet worden bediend terwijl de trekkerschakelaar wordt ingeknepen.

OPMERKING: Een korte pieptoon klinkt terwijl het gereedschap in zijn achteruit wordt gebruikt.

OPMERKING: De snelheidsknop kan niet worden bediend terwijl het gereedschap in zijn achteruit wordt gebruikt.

De schakelaar en rem bedienen

⚠ WAARSCHUWING: Alvorens de accu in het gereedschap aan te brengen, controleert u altijd of de trekkerschakelaar correct werkt en na loslaten terugkeert naar de uit-stand.

Om het gereedschap te starten, knijpt u de trekkerschakelaar in. Om het gereedschap te stoppen, laat u de trekkerschakelaar los en knijpt u de remhendel in. Druk op de vergrendelknop terwijl u de remhendel inknijpt om de rem te vergrendelen. Om de vergrendeling vrij te geven, knijpt u de remhendel in.

► **Fig.32:** 1. Trekkerschakelaar

► **Fig.33:** 1. Vergrendelknop 2. Remhendel

Achterwielrem

Het achterwiel is uitgerust met een rem. Duw de rempedalen naar de voorkant om de remmen te vergrendelen. Om de remmen vrij te geven, duwt u de rempedalen naar achteren.

► **Fig.34:** 1. Pedaal

De lampen voorop inschakelen

Druk op de lampknop op de accubak om de lampen in te schakelen. Om de lampen uit te schakelen, drukt u nogmaals op de lampknop.

► **Fig.35:** 1. Lampknop 2. Lamp

OPMERKING: De lampen gaan na ongeveer 10 minuten uit wanneer het gereedschap onbeheerd wordt achtergelaten.

OPMERKING: De lampen gaan uit wanneer de voeding wordt uitgeschakeld.

OPMERKING: U kunt de lampen inschakelen zelfs wanneer de vergrendelsleutel niet is geplaatst.

De hoogte van de handgreep afstellen

Verwijder de korte zeskantbouten en borstbouten met behulp van de sleutel die in de verpakking is meegeleverd, en stel daarna de hoogte van de handgrepen af. De hoogte kan in drie standen worden afgesteld. Draai de borstbouten en korte zeskantbouten vast om de handgreep vast te zetten.

► **Fig.36:** 1. Korte zeskantbout 2. Borstbout

KENNISGEVING: Stel de linker- en rechterhandgreep af op dezelfde hoogte.

KENNISGEVING: Draai de korte zeskantbouten niet met buitensporige kracht vast. Draai ze met voldoende kracht vast zodat de handgrepen stabiel vast zitten.

KENNISGEVING: Zorg ervoor dat de kabels niet bekneld raken door de bouten.

De breedte van het draagrek afstellen

Draai de 4 vingerschroeven los en verschuif daarna de zijrails. Draai de vingerschroeven vast om de zijrails vast te zetten.

► **Fig.37:** 1. Vingerschroef 2. Rail

⚠ LET OP: Schuif de rail niet verder dan de grensmarkering.

► **Fig.38**

BEDIENING

Het gereedschap bedienen

KENNISGEVING: Het voorwiel van het gereedschap wordt aangedreven door een accu. Gebruik het gereedschap als hulpmiddel bij het dragen van materialen en voorwerpen.

KENNISGEVING: Vóór gebruik moet de vergrendelsleutel in de accubak zijn geplaatst. Als de vergrendelsleutel niet is geplaatst, klinkt een korte pieptoon wanneer u de trekkerschakelaar inknijpt. De pieptoon stopt wanneer u de trekkerschakelaar loslaat en de remhendel inknijpt.

Alvorens het gereedschap te bedienen, controleert u of de remhendel goed werkt.

► **Fig.39:** 1. Remhendel

⚠ WAARSCHUWING: Als u de remhendel inknijpt en deze tot tegen de handgreep komt, werkt de rem onvoldoende. Stel de rem af of vraag uw plaatselijke Makita-servicecentrum voor reparatie.

1. Kies met behulp van de accukeuzeschakelaar de gewenste accu.
2. Houd op het bedieningspaneel de aan-uitknop enkele seconden ingedrukt om de voeding in te schakelen.

► **Fig.40:** 1. Aan-uitknop

3. Knijp de remhendel in om de vergrendeling van de remhendel vrij te geven.

► **Fig.41:** 1. Vergrendelknop 2. Remhendel

OPMERKING: Geef de achterwielrem vrij in het geval de achterwielen zijn aangebracht.

4. Houd de handgrepen stevig met beide handen vast.

► Fig.42

5. Krijp de trekkerschakelaar in.

► Fig.43: 1. Trekkerschakelaar

Voorwerpen laden

⚠ LET OP: Alvorens voorwerpen op het gereedschap te laden, verzekert u zich ervan dat de voeding is uitgeschakeld en de remhendel vergrendeld is.

⚠ LET OP: Als de achterwielen zijn aangebracht, verzekert u zich ervan dat de achterwielrem vergrendeld is voordat u voorwerpen op het gereedschap laadt.

⚠ LET OP: Alvorens voorwerpen op het gereedschap te laden, verzekert u zich ervan dat het draagrek of de laadbak vergrendeld is.

⚠ LET OP: Verzeker u ervan dat de voorwerpen binnen het draagrek of de laadbak worden geladen. Als voorwerpen uit het draagrek of de laadbak steken, kunnen deze vallen of afbreken als ze tegen obstakels botsen.

► Fig.44

⚠ LET OP: Zorg ervoor dat de voorwerpen zodanig geladen worden dat ze onder ooghoogte blijven. Als de lading te hoog is, is het gevaarlijk omdat het zicht wordt belemmerd. Bovendien bestaat de kans op omkiepen en letsel omdat de lading waarschijnlijk niet in balans is.

► Fig.45

Als voorwerpen op het draagrek worden geladen, zet u de voorwerpen vast met touwen en bindt u deze vast aan de sjorhaken.

► Fig.46

Voorwerpen storten

⚠ LET OP: Kantel het draagrek of de laadbak op een horizontale en stabiele ondergrond. Als u dit op een instabiele ondergrond doet, kan dat leiden tot een ongeval of letsel.

U kunt de voorwerpen storten door het draagrek of de laadbak op te tillen en te kantelen.

1. Stop het gereedschap en vergrendel de remmen.

KENNISGEVING: Wij adviseren u het voorwiel te blokkeren om het gereedschap te stabiliseren.

2. Maak de vergrendelhendel los.

3. Ga aan de zijkant van het gereedschap staan, houd de handgreep met één hand vast en kantel het draagrek of de laadbak door het kantelframe met de ander hand omhoog te duwen.

► Fig.47

⚠ LET OP: Houd de handgreep en het kantelframe stevig vast en werk vanuit een stabiele stand.

⚠ LET OP: Houd de lading zo klein mogelijk. Als de lading te groot is, mag u niet proberen het draagrek te kantelen. Verklein de lading en kantel vervolgens het draagrek.

⚠ LET OP: Vergeet na het storten van de voorwerpen niet om het draagrek of de laadbak te vergrendelen.

ONDERHOUD

⚠ LET OP: Alvorens het gereedschap op te slaan of inspectie- of onderhoudswerkzaamheden uit te voeren, verzekert u zich er altijd van dat het gereedschap op een horizontale ondergrond is geparkeerd en de remhendel is vergrendeld.

⚠ LET OP: Als de achterwielen zijn aangebracht, verzekert u zich ervan dat de achterwielrem vergrendeld is vóór opslag, inspectie en onderhoud.

⚠ LET OP: Verzeker u er altijd van dat de vergrendelsleutel en accu uit het gereedschap zijn verwijderd vóór opslag, inspectie en onderhoud.

⚠ LET OP: Verwijder altijd de vergrendelsleutel wanneer het gereedschap niet in gebruik is. Bewaar de vergrendelsleutel op een veilige plaats buiten bereik van kinderen.

Periodieke controles

• Controleer of de bouten en moeren stevig vastgedraaid zijn.

► Fig.48

• Controleer of het draagrek vergrendeld is wanneer de vergrendelhendel helemaal omlaag getrokken is.

► Fig.49: 1. Draagrekvergrendeling
2. Vergrendelhendel

• Controleer of de remhendel goed werkt.

► Fig.50: 1. Remhendel

⚠ WAARSCHUWING: Als u de remhendel inknipt en deze tot tegen de handgreep komt, werkt de rem onvoldoende. Stel de rem af of vraag uw plaatselijke Makita-servicecentrum voor reparatie.

• Controleer of het voorwiel niet beschadigd of lek is. Controleer of de band van het voorwiel voldoende is opgepompt.

Het gereedschap reinigen

KENNISGEVING: Gebruik nooit benzine, wasbenzine, thinner, alcohol en dergelijke. Hierdoor kunnen verkleuring, vervormingen en barsten worden veroorzaakt.

KENNISGEVING: Wanneer u het gereedschap met stromend water reinigt, giet u het water onder het draagrek of de laadbak. Gebruik geen hogedrukpuit voor het reinigen.

Verwijder modder, vuil en dergelijke vanaf het gereedschap. Reinig het gereedschap met stromend water. Veeg na het reinigen het gereedschap af met een droge doek.

Opslag

Verwijder de vergrendelsleutel. Sla het gereedschap op een veilige plaats op buiten bereik van kinderen. Voor opslag van het gereedschap, kunnen de handgrepen naar voren worden gedraaid. Verwijder de korte zeskantbouten en borstbouten met behulp van de sleutel die in de verpakking is meegeleverd. Draai de handgrepen naar buiten en draai de handgrepen daarna naar voren. Draai de borstbouten en korte zeskantbouten vast om de handgrepen vast te zetten.
► **Fig.51:** 1. Borstbout 2. Korte zeskantbout

KENNISGEVING: Draai de korte zeskantbouten niet met buitensporige kracht vast. Draai ze met voldoende kracht vast zodat de handgrepen stabiel vast zitten.

KENNISGEVING: Zorg ervoor dat de kabels niet bekneld raken door de bouten.

De rem afstellen

⚠ LET OP: Als de achterwielen zijn aangebracht, verzekert u zich ervan dat de achterwielrem vergrendeld is voordat u de rem afstelt.

1. Verwijder het draagrek of de laadbak, en kantel vervolgens het kantelframe.
► **Fig.52:** 1. Kantelframe
2. Knijp de remhendel in om de vergrendelknop van de remhendel vrij te geven.
► **Fig.53:** 1. Vergrendelknop 2. Remhendel
3. Draai de stelbus en borgmoer los.
► **Fig.54:** 1. Stelbus 2. Borgmoer
4. Draai alleen de borgmoer vast.
► **Fig.55:** 1. Borgmoer
5. Draai de stelbus en borgmoer los.
► **Fig.56:** 1. Stelbus 2. Borgmoer
6. Draai alleen de borgmoer vast.
► **Fig.57:** 1. Borgmoer
7. Controleer of de remhendel tot slechts halverwege kan worden ingeknepen. Als de remhendel tot slechts halverwege kan worden ingeknepen, gaat u naar stap 13. Als de remhendel niet tot slechts halverwege kan worden ingeknepen, gaat u naar stap 8.
► **Fig.58:** 1. Remhendel

8. Draai alleen de borgmoer los.
► **Fig.59:** 1. Borgmoer
9. Draai de borgmoer en stelbus tezamen vast.
► **Fig.60:** 1. Stelbus 2. Borgmoer
10. Draai alleen de borgmoer los.
► **Fig.61:** 1. Borgmoer
11. Draai de borgmoer en stelbus tezamen vast.
► **Fig.62:** 1. Stelbus 2. Borgmoer
12. Controleer of de remhendel tot slechts halverwege kan worden ingeknepen.
► **Fig.63:** 1. Remhendel
13. Kantel het kantelframe achterover en bevestig vervolgens het draagrek of de laadbak.
► **Fig.64:** 1. Kantelframe

De band oppompen

Controleer of de band van het voorwiel niet leeg is. Als de band onvoldoende opgepompt is, pompt u de band op met behulp van een bandenpomp. De aanbevolen bandenspanning is 230 kPa.

► **Fig.65**

OPTIONELE ACCESSOIRES

⚠ LET OP: Deze accessoires of hulpstukken worden aanbevolen voor gebruik met het Makita gereedschap dat in deze gebruiksaanwijzing is beschreven. Bij gebruik van andere accessoires of hulpstukken bestaat het gevaar van persoonlijke letsel. Gebruik de accessoires of hulpstukken uitsluitend voor hun bestemde doel.

⚠ LET OP: Gebruik uitsluitend Makita-accessoires of -hulpstukken voor het gereedschap. Het gebruik van enige andere accessoire of hulpstuk kan leiden tot ernstig persoonlijk letsel.

Wenst u meer bijzonderheden over deze accessoires, neem dan contact op met het plaatselijke Makita-servicecentrum.

- Draagrek
- Laadbak
- Hulpwielen
- Originele Makita-accu en -acculader

OPMERKING: Sommige items op de lijst kunnen zijn inbegrepen in de doos van het gereedschap als standaard toebehoren. Deze kunnen van land tot land verschillen.

ESPECIFICACIONES

Modelo:		DCU180
Dimensiones (La x An x Al)	Cuando está instalada la portadera	Durante la operación: 1.315 mm x 1.060 mm x 900 mm Cuando está almacenada: 1.110 mm x 820 mm x 820 mm
	Cuando está instalado el cajón	Durante la operación: 1.310 mm x 820 mm x 900 mm Cuando está almacenada: 1.110 mm x 820 mm x 820 mm
Velocidad de desplazamiento	Hacia adelante	1,5 o 3,5 km/h
	Marcha atrás	1,0 km/h
Radio mínimo de giro		1.075 mm (Diámetro exterior cuando se gira con la rueda delantera como eje)
Capacidad máxima en ascenso		12°
Capacidad máxima de carga		130 kg
Freno	Rueda delantera	Freno de disco con cable
	Rueda trasera	Fijo con pedal
Neumático	Rueda delantera	Neumático sin cámara
	Rueda trasera	Neumático autosellador
Tensión nominal		CC 18 V
Peso neto	Cuando está instalada la portadera	45 kg
	Cuando está instalado el cajón	39 - 40 kg

- Debido a nuestro continuado programa de investigación y desarrollo, las especificaciones aquí dadas están sujetas a cambios sin previo aviso.
- Las especificaciones y el cartucho de batería pueden diferir de país a país.
- El peso puede variar dependiendo del accesorio(s), incluyendo el cartucho de batería. La combinación menos pesada y la más pesada, de acuerdo con el procedimiento EPTA 01/2014, se muestran en la tabla.

Cartucho de batería y cargador aplicables

Cartucho de batería	BL1815N / BL1820 / BL1820B / BL1830 / BL1830B / BL1840 / BL1840B / BL1850 / BL1850B / BL1860B
Cargador	DC18RC / DC18RD / DC18RE / DC18SD / DC18SE / DC18SF

- Algunos de los cartuchos de batería y cargadores indicados arriba puede que no estén disponibles dependiendo de su región de residencia.

⚠ ADVERTENCIA: Utilice solamente los cartuchos de batería y cargadores listados arriba. La utilización de cualquier otro cartucho de batería y cargador puede ocasionar heridas y/o un incendio.

Símbolos

A continuación se muestran los símbolos utilizados con este equipo. Asegúrese de que entiende su significado antes de usarlo.



Lea el manual de instrucciones.



Sólo para países de la Unión Europea
¡No deseche los aparatos eléctricos o baterías junto con los residuos domésticos!
De conformidad con las Directivas Europeas, sobre residuos de aparatos eléctricos y electrónicos y baterías y acumuladores y residuos de baterías y acumuladores y su aplicación de acuerdo con la legislación nacional, los aparatos eléctricos y pilas y baterías cuya vida útil haya llegado a su fin deberán ser recogidos por separado y trasladados a una planta de reciclaje que cumpla con las exigencias ecológicas.



Baje completamente la palanca y compruebe que la portadera o el cajón está bloqueado.



No cambie la dirección en cuestas empinadas.



Cargue y descargue los objetos en terreno plano.



Cargue objetos en la portadera o el cajón uniformemente.



Esta máquina no se puede utilizar en carreteras públicas.



No utilizar para transportar personas.



No exponer a la lluvia.



Para cancelar el sonido de pitido, libere el gatillo interruptor y accione la palanca del freno.



No se quede mirando al haz.

Uso previsto

La máquina ha sido prevista para cargar y transportar objetos con apoyo asistido por batería.

Ruido

El nivel de ruido A-ponderado típico determinado de acuerdo con la norma EN62841:

Nivel de presión sonora (L_{pA}): 70 dB (A) o menos
Error (K): 3 dB (A)

El nivel de ruido en situación de trabajo puede exceder 80 dB (A).

NOTA: El valor (o los valores) de emisión de ruido declarado ha sido medido de acuerdo con un método de prueba estándar y se puede utilizar para comparar una herramienta con otra.

NOTA: El valor (o valores) de emisión de ruido declarado también se puede utilizar en una valoración preliminar de exposición.

ADVERTENCIA: Póngase protectores para oídos.

ADVERTENCIA: La emisión de ruido durante la utilización real de la herramienta eléctrica puede variar del valor (o los valores) de emisión declarado dependiendo de las formas en las que la herramienta sea utilizada, especialmente qué tipo de pieza de trabajo se procesa.

ADVERTENCIA: Asegúrese de identificar medidas de seguridad para proteger al operario que estén basadas en una estimación de la exposición en las condiciones reales de utilización (teniendo en cuenta todas las partes del ciclo operativo como las veces cuando la herramienta está apagada y cuando está funcionando en vacío además del tiempo de gatillo).

Vibración

El valor total de la vibración (suma de vectores triaxiales) determinado de acuerdo con la norma EN62841: Modo de trabajo: operación sin carga
Emisión de vibración (a_{hv}): 2,5 m/s² o menos
Error (K): 1,5 m/s²

NOTA: El valor (o los valores) total de emisión de vibración declarado ha sido medido de acuerdo con un método de prueba estándar y se puede utilizar para comparar una herramienta con otra.

NOTA: El valor (o los valores) total de emisión de vibración declarado también se puede utilizar en una valoración preliminar de exposición.

ADVERTENCIA: La emisión de vibración durante la utilización real de la herramienta eléctrica puede variar del valor (o los valores) de emisión declarado dependiendo de las formas en las que la herramienta sea utilizada, especialmente qué tipo de pieza de trabajo se procesa.

ADVERTENCIA: Asegúrese de identificar medidas de seguridad para proteger al operario que estén basadas en una estimación de la exposición en las condiciones reales de utilización (teniendo en cuenta todas las partes del ciclo operativo como las veces cuando la herramienta está apagada y cuando está funcionando en vacío además del tiempo de gatillo).

Declaración CE de conformidad

Para países europeos solamente

La declaración CE de conformidad está incluida como Anexo A de esta manual de instrucciones.

ADVERTENCIAS DE SEGURIDAD

Advertencias de seguridad para herramientas eléctricas en general

ADVERTENCIA: Lea todas las advertencias de seguridad, instrucciones, ilustraciones y especificaciones provistas con esta herramienta eléctrica. Si no sigue todas las instrucciones indicadas abajo podrá resultar en una descarga eléctrica, un incendio y/o heridas graves.

Guarde todas las advertencias e instrucciones para futuras referencias.

El término "herramienta eléctrica" en las advertencias se refiere a su herramienta eléctrica de funcionamiento con conexión a la red eléctrica (con cable) o herramienta eléctrica de funcionamiento a batería (sin cable).

Advertencias de seguridad para la carretilla impulsada a batería

- Mientras esté operando la máquina, póngase siempre calzado antideslizante y de protección.** Las botas y zapatos de seguridad antideslizantes cerrados reducirán el riesgo de heridas.
- Inspeccione la senda antes de transportar objetos/materiales.** El familiarizarse con la senda y el asegurarse de que es suficientemente ancha como para maniobrar con seguridad la máquina cargada ayudará a reducir la pérdida de control de la máquina.
- Extreme las precauciones en terreno resbaladizo, suelto e inestable.** Las superficies mojadas y resbaladizas, tales como las áreas cubiertas de hierba mojada, la nieve o el hielo, y el terreno suelto e inestable, tales como las superficies de arena o grava, podrán ocasionar que la máquina pierda tracción y afecte negativamente a la dirección, el frenado y la estabilidad.
- No opere la máquina en cuestas excesivamente empinadas.** Esto reduce el riesgo de la pérdida de control, deslizamiento y caída, que pueden resultar en heridas personales. Las cuestas con pendiente mayor del máximo recomendado y las pendientes laterales pueden incrementar el riesgo de inestabilidad y afectar negativamente a la habilidad de parar de forma segura.
- Cuando trabaje en cuestas, asegúrese siempre de que pisa suelo firme, trabaje siempre a través de la cara de las cuestas, nunca hacia arriba o abajo, y extreme las precauciones cuando cambie de dirección.** Esto reduce el riesgo de la pérdida de control, deslizamiento y caída, que pueden resultar en heridas personales.
- Siempre que sea posible, utilice áreas niveladas para parar, cargar y descargar y nunca deje la máquina sin atender en una cuesta.** La máquina es más inestable cuando reposa en una cuesta que cuando reposa en una superficie nivelada.
- Cuando pare en cuestas, oriente la máquina cuesta arriba o cuesta abajo y bloquee las ruedas que no tienen freno.** La máquina es menos estable cuando está orientada a través de una cuesta. Las ruedas que no tienen freno, especialmente las de tipo giratorio, pueden potencialmente girar y rodar cuesta abajo aun mientras esté echado el freno de estacionamiento de la rueda delantera.
- Cuando deje la máquina sin atender, eche el freno de estacionamiento una vez que la máquina esté ubicada en un área de parada segura.** El freno de estacionamiento evita movimientos no deseados de la rueda delantera y puede mejorar la estabilidad.
- Asegúrese de que las rampas estén limpias, sean fuertes y seguras.** Para reducir el riesgo de heridas, todas las rampas deberán estar despejadas de restos sueltos y ser suficientemente fuertes como para resistir el peso de las cargas anticipadas que van a ser movidas sobre ellas. Deberán tener un bloqueo apropiado debajo de ellas y en ambos lados para eliminar las desviaciones y movimientos laterales bajo carga. Todas las rampas deberán ser suficientemente anchas como para tener un apoyo seguro de los pies mientras se transportan cargas a través de ellas.
- Asegúrese de que la tolva está bajada y que las tolvas y compuertas de volcado están sujetas firmemente con la aldaba cuando no esté volcando la carga y cuando almacene la máquina.** Las tolvas o compuertas de volcado no sujetas con aldaba se pueden abrir o desplazar inesperadamente.
- Evite las rampas extendidas sin rodapiés o vallas sobre espacios abiertos.** Los espacios abiertos elevados y zanjas abiertas invitan a caídas accidentales e incrementan el potencial de sufrir heridas graves. Utilice rodapiés o vallas en rampas sobre espacios abiertos para evitar conducir la máquina fuera de la rampa.
- Asegúrese de que todos los tornillos de bloqueo están sujetos firmemente antes de utilizar.** Los tornillos de bloqueo de las ruedas traseras y de las paredes delantera y laterales de la portadera tipo abierto deben estar sujetos para evitar movimientos no deseados de estas partes ajustables de la máquina.
- No opere nunca la máquina en una condición de sobrecarga.** Asegúrese de que la máquina tiene la capacidad nominal apropiada para los objetos o materiales que van a ser transportados. Las cargas excesivas harán que la máquina sea más difícil de maniobrar o parar, aumentarán el tiempo y la distancia de parada, y aumentarán el riesgo de inestabilidad.
- No opere nunca su máquina en una condición de apilamiento excesivo.** El apilado de material por encima del borde de la bandeja o encima de los laterales de la bandeja puede ocasionar que la máquina quede incontrolablemente desequilibrada y fuera de control.
- Utilice contenedores y amarres para sujetar las cargas.** Las cargas flojas y sin sujetar son más propensas a desplazarse lo que puede resultar en la pérdida de la estabilidad y el control.
- Mantenga siempre los mangos empuñados firmemente.** La pérdida de control puede aumentar el riesgo de heridas personales.
- Retire la llave de seguridad cuando no se esté utilizando.** La llave de seguridad evita el uso motorizado no deseado de la máquina, tal como por niños u otras personas no adiestradas o no autorizadas. Sin la llave, la propulsión eléctrica no se puede "activar".
- Esta máquina no se puede utilizar en carreteras públicas.** La utilización de la carretilla en una carretera pública es ilegal y puede resultar en multas de jurisdicción local además de en heridas personales.
- Utilice una placa robusta con función antideslizante y de prevención de desprendimiento cuando cargue y/o descargue esta máquina para su transporte, o mueva esta máquina entre diferentes niveles.** Asegúrese de que la inclinación de la placa no exceda los 12°, y opere la máquina despacio y con cuidado. Una operación inestable y rápida puede resultar en un vuelco y/o caída.
- No desmonte, repare, o modifique esta máquina.**

Operación

1. Cuando opere la máquina, sitúese detrás de la máquina y sujete los mangos firmemente.
2. No opere la máquina estando montado en la máquina.
3. No permita que otras personas se monten en la máquina.
4. Cuando opere la máquina en marcha atrás y caminando hacia atrás, mire detrás suyo y tenga cuidado de no resbalar o tropezar.
5. No utilice la máquina cuando la visibilidad no sea buena porque existe el riesgo de golpear obstáculos.
6. Cuando opere la máquina en terreno abrupto, reduzca la velocidad y proceda con cuidado.
7. Cuando utilice la máquina, evite el terreno blando para evitar volcar debido al derrumbe del borde de la carretera.
8. No opere la máquina en pendientes hacia arriba de más de 12°.
9. Si encuentra una anomalía, pare la máquina sobre un terreno plano. Antes de inspeccionar la máquina, accione la palanca del freno y bloquee el freno, y después desconecte la alimentación.
10. Antes de operar la máquina, asegúrese de que la palanca de bloqueo está bajada totalmente y bloqueada completamente. Si el bloqueo es incompleto, existe el riesgo de accidente o heridas porque la portadera o el cajón puede inclinarse y los objetos caerse cuando vaya cuesta abajo.
11. Tenga cuidado de no enredar los cables con la carga o los obstáculos.

Operación en cuestas

1. No atravesie cuestas.
2. Asegúrese de reducir la velocidad y proceder con cuidado.
3. Proceda con cuidado cuando ponga en marcha o pare la máquina en cuestas.
4. Como las cargas se vuelven menos estables en cuestas, sujete las cargas firmemente con cuerdas.
5. Como la máquina se vuelve inestable dependiendo de la condición de la carretera, mantenga la carga al mínimo.
6. Como en las cuestas la vista se tapa, mantenga la altura de la carga al mínimo.
7. No estacione nunca la máquina en cuestas empinadas. Estacione la máquina sobre terreno plano, accione la palanca del freno y bloquee el freno, y después desconecte la alimentación.
8. No cambie la dirección o el modo de velocidad en cuestas empinadas.
9. No libere el gatillo interruptor en pendientes hacia arriba. La máquina puede ir en marcha atrás y ocasionar un accidente.
10. Asegúrese de que la capacidad de batería restante es suficiente antes de operar en cuestas. Si la capacidad de batería restante no es suficiente, cargue la batería o reemplácela con una cargada.

Para cargar objetos

1. No sobrecargue objetos. Cuando cargue objetos, asegúrese de seguir las instrucciones y los límites de carga indicados en el manual.
2. Sujete los objetos firmemente con cuerdas.
3. Cargue los objetos dentro de la portadera o el cajón. Si los objetos sobresalen de la portadera o el cajón, existe el riesgo de accidentes debido a la caída de los objetos o el contacto con obstáculos tales como paredes.
4. Asegúrese de que los objetos cargados están por debajo del nivel de los ojos. Si la carga es demasiado alta, será peligroso porque tapan la vista. Además, existe el riesgo de volcar y producir heridas porque es probable que la carga se desequilibre.
5. Cargue los objetos en la portadera o el cajón uniformemente. Si los objetos no están cargados uniformemente, existe el riesgo de volcar y producir heridas porque es probable que la carga se desequilibre.
6. Antes de cargar objetos u operar la máquina, asegúrese de que la palanca de bloqueo está bajada totalmente y bloqueada completamente.
7. Asegúrese de cargar los objetos pesados primero para mantener el equilibrio.
8. No extienda los rieles delantero y laterales en cuestas empinadas. Extienda los rieles laterales cuando cargue objetos de poco peso.
9. Cuando extienda los rieles delantero y laterales, no los extienda más allá del límite de extensión. Asegúrese de extender los rieles laterales de forma que los lados derecho e izquierdo tengan la misma longitud, y cargue los objetos uniformemente.
10. Cargue y descargue los objetos en terreno plano.
11. Cuando levante e incline la portadera o el cajón, sujete los mangos y el bastidor firmemente, y trabaje adoptando una postura estable.

Mantenimiento

1. Asegúrese siempre de estacionar la máquina en terreno plano y bloquear la palanca del freno antes de almacenar o intentar realizar inspecciones o mantenimiento.

GUARDE ESTAS INSTRUCCIONES.

⚠ ADVERTENCIA: NO deje que la comodidad o familiaridad con el producto (a base de utilizarlo repetidamente) sustituya la estricta observancia de las normas de seguridad para el producto en cuestión. El MAL USO o el no seguir las normas de seguridad establecidas en este manual de instrucciones podrá ocasionar heridas personales graves.

Instrucciones de seguridad importantes para el cartucho de batería

1. Antes de utilizar el cartucho de batería, lea todas las instrucciones e indicaciones de precaución sobre (1) el cargador de baterías, (2) la batería, y (3) el producto con el que se utiliza la batería.
2. No desarme el cartucho de batería.
3. Si el tiempo de uso se acorta demasiado, cese la operación inmediatamente. Podría resultar en un riesgo de recalentamiento, posibles quemaduras e incluso una explosión.
4. Si entra electrólito en sus ojos, aclárelos con agua limpia y acuda a un médico inmediatamente. Existe el riesgo de poder perder la vista.
5. No cortocircuite el cartucho de batería:
 - (1) No toque los terminales con ningún material conductor.
 - (2) Evite guardar el cartucho de batería en un cajón junto con otros objetos metálicos, como clavos, monedas, etc.
 - (3) No exponga el cartucho de batería al agua ni a la lluvia.

Un cortocircuito en la batería puede producir una gran circulación de corriente, un recalentamiento, posibles quemaduras e incluso una rotura de la misma.

6. No guarde la herramienta y el cartucho de batería en lugares donde la temperatura pueda alcanzar o exceder los 50 °C.
7. Nunca incinere el cartucho de batería incluso en el caso de que esté dañado seriamente o ya no sirva en absoluto. El cartucho de batería puede explotar si se tira al fuego.
8. Tenga cuidado de no dejar caer ni golpear el cartucho de batería.
9. No utilice una batería dañada.
10. Las baterías de litio-ion contenidas están sujetas a los requisitos de la Legislación para Materiales Peligrosos.

Para transportes comerciales, p.ej., por terceras personas y agentes de transportes, se deberán observar requisitos especiales para el empaquetado y etiquetado.

Para la preparación del artículo que se va a enviar, se requiere consultar con un experto en materiales peligrosos. Por favor, observe también la posibilidad de reglamentos nacionales más detallados.

Cubra con cinta aislante o enmascare los contactos expuestos y empaquete la batería de tal manera que no se pueda mover alrededor dentro del embalaje.
11. Siga los reglamentos locales referentes al desecho de la batería.

12. Utilice las baterías solamente con los productos especificados por Makita. La instalación de las baterías en productos no compatibles puede resultar en un incendio, calor excesivo, explosión, o fuga de electrolito.

GUARDE ESTAS INSTRUCCIONES.

PRECAUCIÓN: Utilice solamente baterías genuinas de Makita. La utilización de baterías no genuinas de Makita, o baterías que han sido alteradas, puede resultar en una explosión de la batería ocasionando incendios, heridas personales y daños. También anulará la garantía de Makita para la herramienta y el cargador de Makita.

Consejos para alargar al máximo la vida de servicio de la batería

1. Cargue el cartucho de batería antes de que se descargue completamente. Detenga siempre la operación y cargue el cartucho de batería cuando note menos potencia en la herramienta.
2. No cargue nunca un cartucho de batería que esté completamente cargado. La sobrecarga acortará la vida de servicio de la batería.
3. Cargue el cartucho de batería a temperatura ambiente de 10 °C - 40 °C. Si un cartucho de batería está caliente, déjelo enfriar antes de cargarlo.
4. Cargue el cartucho de batería si no lo utiliza durante un periodo de tiempo prolongado (más de seis meses).

DESCRIPCIÓN DE LAS PARTES

Descripción de las partes (cuando está instalada la portadera)

► Fig.1

1	Panel de control	2	Mango
3	Gatillo interruptor	4	Caja de batería
5	Palanca del freno para la rueda delantera	6	Rueda trasera
7	Pedal del freno para la rueda trasera	8	Lámpara
9	Rueda delantera	10	Portadera

Descripción de las partes (cuando está instalado el cajón)

► Fig.2

1	Panel de control	2	Mango
3	Gatillo interruptor	4	Caja de batería
5	Palanca del freno para la rueda delantera	6	Rueda trasera
7	Pedal del freno para la rueda trasera	8	Lámpara
9	Rueda delantera	10	Cajón

MONTAJE

⚠PRECAUCIÓN: Asegúrese siempre de que la máquina está apagada y el cartucho de batería retirado antes de realizar cualquier trabajo en la máquina.

Montaje de la unidad principal

1. Retire la unidad básica y los mangos de la caja.
▶ Fig.3

AVISO: Asegúrese de retirar juntos la unidad básica y los mangos, de forma que no se aplique fuerza excesiva a los cables.

2. Coloque el material de embalaje debajo del lado inferior de la unidad básica.
▶ Fig.4: 1. Material de embalaje
3. Inserte las ruedas traseras en el bastidor.
▶ Fig.5: 1. Rueda trasera
▶ Fig.6: 1. Rueda trasera

NOTA: Las patas de apoyo se pueden colocar en lugar de las ruedas traseras.

4. Coloque la arandela de resorte y la arandela en el perno hexagonal corto, y después apriételos utilizando la llave incluida en el paquete.
▶ Fig.7: 1. Perno hexagonal corto 2. Arandela de resorte 3. Arandela
▶ Fig.8

AVISO: Asegúrese de utilizar los pernos hexagonales cortos para apretar las ruedas traseras.

AVISO: Fije las ruedas traseras en la misma posición en ambos lados.

5. Suba los mangos, y después insérteles en la unidad básica.
▶ Fig.9

AVISO: No deje los cables dentro del área "A" de la figura. Los objetos largos pueden enredarse con los cables y ocasionar accidentes.

AVISO: No aplique fuerza excesiva a los cables cuando levante e inserte los mangos.

AVISO: Asegúrese de levantar los mangos con ambas manos.

6. Abra el bastidor de la portadera hacia la parte delantera.
▶ Fig.10: 1. Bastidor de la portadera
7. Despliegue los mangos, después inserte los pernos hexagonales largos en la unidad básica, y después apriete las tuercas con la llave incluida en el paquete.
▶ Fig.11: 1. Perno hexagonal largo
8. Apriete los pernos de tope desde la parte trasera utilizando la llave incluida en el paquete.
▶ Fig.12: 1. Perno de tope
9. Apriete los pernos hexagonales cortos desde ambos lados utilizando la llave incluida en el paquete para fijar los mangos.
▶ Fig.13: 1. Perno hexagonal corto

AVISO: No apriete los pernos hexagonales cortos con fuerza excesiva. Apriételos con la fuerza apropiada de forma que los mangos queden fijados establemente.

AVISO: No pille los cables con los pernos.

10. Fije los cables con las abrazadoras.
▶ Fig.14: 1. Abrazadera
11. Pliegue el bastidor de la portadera.
▶ Fig.15: 1. Bastidor de la portadera
12. Presione el botón de bloqueo mientras acciona la palanca del freno para bloquear el freno.
▶ Fig.16: 1. Botón de bloqueo 2. Palanca del freno

⚠PRECAUCIÓN: Si están instaladas las ruedas traseras, presione el pedal del freno para la rueda trasera para bloquear la rueda trasera.

13. Enganche el bloqueo de la portadera, y después empuje hacia abajo la palanca de bloqueo para bloquear la portadera.
▶ Fig.17: 1. Bloqueo de la portadera 2. Palanca de bloqueo

AVISO: Asegúrese de que la palanca de bloqueo está bloqueada firmemente.

AVISO: No pille los cables con la palanca de bloqueo.

NOTA: Si coloca las patas de apoyo en lugar de las ruedas traseras, retire las ruedas traseras de los bastidores, y después coloque las patas de apoyo en los bastidores.

- ▶ Fig.18: 1. Rueda trasera 2. Pata de apoyo

Montaje y desinstalación de la portadera

Accesorio opcional

1. Extraiga la portadera de la caja, coloque los rieles laterales en el bastidor básico, y después apriete las tuercas de orejetas para fijar los rieles.
▶ Fig.19: 1. Tuerca de orejetas
2. Coloque la portadera en la unidad básica, y después inserte los pernos hexagonales y las arandelas en los bastidores desde la parte superior. Apriete las arandelas y arandelas de resorte y las tuercas de mariposa desde la parte inferior para fijar la portadera.
▶ Fig.20: 1. Perno hexagonal largo 2. Perno hexagonal corto 3. Arandela 4. Arandela de resorte 5. Tuerca de mariposa

AVISO: Utilice los pernos largos para la parte delantera, y los pernos cortos para la parte trasera.

Instalación del cajón

Accesorio opcional

- Coloque el cajón en la unidad básica, inserte los pernos hexagonales en los bastidores, y después apriete las arandelas y arandelas de resorte y las tuercas de mariposa desde la parte inferior para fijar el cajón.
- ▶ Fig.21: 1. Perno hexagonal 2. Arandela 3. Arandela de resorte 4. Tuerca de mariposa

DESCRIPCIÓN DEL FUNCIONAMIENTO

Instalación o extracción del cartucho de batería

⚠️ PRECAUCIÓN: Apague siempre la máquina antes de instalar o retirar el cartucho de batería.

⚠️ PRECAUCIÓN: Asegúrese de que ha bloqueado la tapa de la batería antes de la utilización. De lo contrario, el barro, la suciedad o el agua podrán ocasionar daños a la herramienta o al cartucho de batería.

⚠️ PRECAUCIÓN: Instale siempre el cartucho de batería completamente hasta que no pueda verse el indicador rojo. En caso contrario, podrá caerse accidentalmente de la máquina y ocasionarle heridas a usted o a alguien alrededor de usted.

⚠️ PRECAUCIÓN: No instale el cartucho de batería empleando fuerza. Si el cartucho no se desliza al interior fácilmente, será porque no está siendo insertado correctamente.

⚠️ PRECAUCIÓN: No utilice el cartucho de batería de alta temperatura. Cuando se utiliza el cartucho de batería de alta temperatura, la máquina se para automáticamente antes de emitirse un sonido de pitido corto, y puede ocasionar heridas.

Instalación del cartucho de batería

1. Gire la palanca de bloqueo, y después abra la cubierta de la caja de batería.
► **Fig.22:** 1. Palanca de bloqueo 2. Cubierta
2. Alinee la lengüeta del cartucho de batería con la ranura de la caja de batería, y después deslice el cartucho hasta que se bloquee en su sitio con un pequeño chasquido. Si puede ver el indicador rojo en el lado superior del botón, el cartucho de batería no estará bloqueado completamente.
► **Fig.23:** 1. Cartucho de batería
3. Inserte la llave de bloqueo en el lugar mostrado en la figura a tope.
► **Fig.24:** 1. Llave de bloqueo

NOTA: Si la llave de bloqueo no está insertada completamente, la máquina no funcionará.

4. Cierre la cubierta de la caja de batería, y después gire la palanca de bloqueo.
► **Fig.25:** 1. Palanca de bloqueo 2. Cubierta

Para retirar el cartucho de batería

1. Gire la palanca de bloqueo, y después abra la cubierta de la caja de batería.
2. Extraiga el cartucho de batería de la caja de batería mientras desliza el botón de la parte delantera del cartucho.
► **Fig.26:** 1. Botón
3. Saque la llave de bloqueo.
4. Cierre la cubierta de la caja de batería, y después gire la palanca de bloqueo.

Sistema de protección de la máquina / batería

La máquina está equipada con un sistema de protección de la máquina/batería. Este sistema corta automáticamente la alimentación al motor para alargar la vida útil de la máquina y la batería.

La máquina se parará automáticamente durante la operación si la máquina o el cartucho de batería está en una de las siguientes condiciones. Antes de que la máquina se pare automáticamente se emite un sonido de pitido corto. Los indicadores de batería y los indicadores LED parpadean mientras se emite el sonido de pitido.

Protección contra sobrecarga

Cuando la máquina sea operada de manera que le haga absorber una corriente anormalmente alta, la máquina se parará automáticamente sin ninguna indicación. En esta situación, apague la máquina y retire lo que causa de sobrecarga, y después encienda la máquina para volver a empezar.

Protección contra el recalentamiento

Cuando la máquina se recalienta, la máquina se detiene automáticamente. Deje que la máquina se enfríe antes de encenderla otra vez. La protección contra el recalentamiento es probable que funcione en un ambiente de alta temperatura.

Protección contra descarga excesiva

Cuando la capacidad de batería sea baja, la máquina se detendrá automáticamente. Si la máquina no funciona aun cuando los interruptores sean accionados, retire el cartucho de batería y cárguelo.

Cambio del cartucho de batería

- **Fig.27:** 1. Conmutador de selección de batería
- Se pueden instalar hasta dos cartuchos de batería en la caja de batería, aunque la máquina solo utiliza un cartucho de batería para la operación. Antes de operar la máquina, seleccione el cartucho de batería utilizado para la operación presionando el número en el conmutador de selección de batería.

AVISO: Si en la caja de batería solamente hay instalado un cartucho de batería, asegúrese de seleccionar el cartucho de batería que está instalado en la caja de batería.

Indicación de la capacidad de batería restante en la caja de batería

⚠️ PRECAUCIÓN: Antes de comprobar las capacidades de batería restante o cambiar el cartucho de batería, asegúrese parar la máquina.

- **Fig.28:** 1. Indicador de batería 2. Botón de comprobación

Presione el botón de comprobación para indicar las capacidades de batería restantes. Los indicadores de batería corresponden a cada batería.

Estado del indicador de batería		Capacidad de batería restante
Encendido	Apagado	
		50% - 100%
		20% - 50%
		0% - 20%
		La batería no está instalada

⚠ PRECAUCIÓN: Cuando la capacidad de batería se vuelve baja, se emite un sonido de pitido corto. Si continúa operando la máquina a capacidad de batería baja, se emitirá un sonido de pitido largo y la máquina se parará automáticamente. Cuando oiga el sonido de pitido corto, accione la palanca del freno y bloquee el freno, y después cambie el cartucho de batería a uno cargado o cargue el cartucho de batería. Cuando la capacidad de batería restante se agote, la máquina se parará automáticamente de repente y esto podrá ocasionar heridas.

NOTA: Si continúa apretando el gatillo interruptor a pesar de oír el sonido de pitido corto, la máquina se parará automáticamente. Después de que la máquina se pare automáticamente, el sonido de pitido continuará y el freno de apoyo (freno eléctrico) se activará. Para cancelar el sonido de pitido y liberar el freno de apoyo, accione la palanca del freno y libere el gatillo interruptor. No empuje la máquina forzosamente sin liberar el freno de apoyo. Después de liberar el freno de apoyo, puede conocer qué sistema de protección de la batería está funcionando comprobando el estado del indicador de batería.

- **Fig.29:** 1. Encendido 2. Parpadeando 3. Apagado
4. Protección contra recalentamiento
5. Protección contra descarga excesiva
6. Protección contra sobrecarga

⚠ PRECAUCIÓN: Si se emite el sonido de pitido mientras se está operando en cuestas o si la máquina se para automáticamente en cuestas, mueva la máquina a un lugar seguro, bloquee el freno, y después cambie el cartucho de batería a uno cargado o cargue el cartucho de batería.

Si la carga es grande, y se emite el sonido de pitido mientras se está operando en cuestas o si la máquina se para automáticamente en cuestas, no mueva la máquina forzosamente. Bloquee el freno, preste atención a la seguridad y cambie el cartucho de batería a uno cargado, y después mueva la máquina a un lugar seguro. Reduzca la carga antes de operar la máquina otra vez.

NOTA: Puede comprobar la capacidad de batería restante aunque la llave de bloqueo no está insertada.

Modo de indicar la capacidad de batería restante

Solamente para cartuchos de batería con el indicador

- **Fig.30:** 1. Lámparas indicadoras 2. Botón de comprobación

Presione el botón de comprobación en el cartucho de batería para indicar la capacidad de batería restante. Las lámparas indicadoras se iluminan durante unos pocos segundos.

Lámparas indicadoras			Capacidad restante
Iluminada	Apagada	Parpadeando	
			75% a 100%
			50% a 75%
			25% a 50%
			0% a 25%
			Cargue la batería.
			Puede que la batería no esté funcionando bien.

NOTA: Dependiendo de las condiciones de utilización y de la temperatura ambiente, la indicación podrá variar ligeramente de la capacidad real.

Panel de control

- **Fig.31:** 1. Botón de alimentación 2. Botón de desplazamiento hacia adelante/marcha atrás 3. Botón de velocidad

Para conectar la alimentación, presione el botón de alimentación durante unos pocos segundos. Presione el botón de desplazamiento hacia adelante/marcha atrás para cambiar entre el modo de desplazamiento hacia adelante y el modo marcha atrás. Presione el botón de velocidad para cambiar entre velocidad baja y velocidad alta. Cuando se conecta la alimentación, se ajustan el modo hacia adelante y la velocidad baja. Para desconectar la alimentación, presione el botón de alimentación durante unos pocos segundos.

NOTA: El botón de desplazamiento hacia adelante/marcha atrás no está disponible mientras se aprieta el gatillo interruptor.

NOTA: Cuando se opera la máquina en marcha atrás se emite un sonido de pitido corto.

NOTA: Cuando se opera la máquina en marcha atrás el botón de velocidad no está disponible.

Accionamiento del interruptor y freno

⚠ ADVERTENCIA: Antes de instalar el cartucho de batería en la máquina, compruebe siempre para ver que el gatillo interruptor se acciona debidamente y que vuelve a la posición “desactivada” cuando se libera.

Para poner en marcha la máquina, apriete el gatillo interruptor. Para parar la máquina, libere el gatillo interruptor y accione la palanca del freno. Para bloquear la palanca del freno, presione el botón de bloqueo mientras acciona la palanca del freno. Para liberar el bloqueo, accione la palanca del freno.

► Fig.32: 1. Gatillo interruptor

► Fig.33: 1. Botón de bloqueo 2. Palanca del freno

Freno de la rueda trasera

Las ruedas traseras están equipadas con los frenos. Presione los pedales de los frenos hacia adelante para bloquear los frenos. Para liberar los frenos, presione los pedales de los frenos hacia atrás.

► Fig.34: 1. Pedal

Para encender las lámparas delanteras

Presione el botón de las lámparas en la caja de batería para encender las lámparas. Para apagar las lámparas, presione el botón de las lámparas otra vez.

► Fig.35: 1. Botón de las lámparas 2. Lámpara

NOTA: Las lámparas se apagarán si la máquina es dejada sin atender durante aproximadamente 10 minutos.

NOTA: Las lámparas se apagan cuando se desconecta la alimentación.

NOTA: Puede encender las lámparas aunque la llave de bloqueo no está insertada.

Ajuste de la altura del mango

Retire los pernos hexagonales cortos y los pernos de tope utilizando la llave incluida en el paquete, y después ajuste la altura del mango. La altura se puede ajustar en tres niveles. Apriete los pernos de tope y los pernos hexagonales cortos para fijar el mango.

► Fig.36: 1. Perno hexagonal corto 2. Perno de tope

AVISO: Fije los mangos izquierdo y derecho a la misma altura.

AVISO: No apriete los pernos hexagonales cortos con fuerza excesiva. Apriételos con la fuerza apropiada de forma que los mangos queden fijados establemente.

AVISO: No pille los cables con los pernos.

Ajuste de la anchura de la portadera

Afije las 4 tuercas de orejetas, y después deslice los rieles laterales. Apriete las tuercas de orejetas para fijar los rieles laterales.

► Fig.37: 1. Tuerca de orejetas 2. Riel

⚠ PRECAUCIÓN: No deslice los rieles más allá de la marca de límite.

► Fig.38

OPERACIÓN

Operación de la máquina

AVISO: La rueda delantera es propulsada con alimentación de la batería en esta máquina. Utilice esta máquina para ayudarle en operaciones de transporte.

AVISO: Asegúrese de insertar la llave de bloqueo en la caja de batería antes de la operación.

Si la llave de bloqueo no está insertada, se emitirá un sonido de pitido corto cuando apriete el gatillo interruptor. El sonido de pitido se detiene liberando el gatillo interruptor y accionando la palanca del freno.

Antes de utilizar la máquina, compruebe que la palanca del freno funciona debidamente.

► Fig.39: 1. Palanca del freno

⚠ ADVERTENCIA: Si la palanca del freno llega hasta el mango cuando acciona la palanca completamente, el freno no estará funcionando debidamente. Ajuste el freno, o pida a su centro de servicio local de Makita que le hagan las reparaciones.

1. Seleccione el cartucho de batería con el conmutador de selección de batería.

2. Presione el botón de alimentación en el panel de control durante unos pocos segundos para conectar la alimentación.

► Fig.40: 1. Botón de alimentación

3. Accione la palanca del freno para liberar el bloqueo de la palanca del freno.

► Fig.41: 1. Botón de bloqueo 2. Palanca del freno

NOTA: Libere el freno de la rueda trasera si están instaladas las ruedas traseras.

4. Sujete los mangos firmemente con ambas manos.
► Fig.42

5. Apriete el gatillo interruptor.

► Fig.43: 1. Gatillo interruptor

Para cargar objetos

⚠ PRECAUCIÓN: Antes de cargar objetos en la máquina, asegúrese de que la alimentación está desconectada y que la palanca del freno está bloqueada.

⚠ PRECAUCIÓN: Si están instaladas las ruedas traseras, asegúrese de que el freno de la rueda trasera está bloqueado antes de cargar objetos en la máquina.

⚠ PRECAUCIÓN: Antes de cargar objetos en la máquina, asegúrese de que la portadera o el cajón está bloqueado.

⚠ PRECAUCIÓN: Asegúrese de cargar los objetos dentro de la portadera o el cajón. Si los objetos sobresalen de la portadera o el cajón, podrán caerse o colapsar si tocan obstáculos.

► Fig.44

⚠ PRECAUCIÓN: Asegúrese de cargar los objetos de forma que queden por debajo del nivel de los ojos. Si la carga es demasiado alta, será peligroso porque tapan la vista. Además, existe el riesgo de volcar y producir heridas porque es probable que la carga se desequilibre.

► Fig.45

Cuando cargue objetos en la portadera, sujete los objetos con cuerdas y ate las cuerdas en los ganchos para cuerdas.

► Fig.46

Para volcar los objetos

⚠ PRECAUCIÓN: Levante la portadera o el cajón en un terreno plano y estable. La operación en un terreno inestable puede ocasionar un accidente o heridas.

Puede volcar los objetos levantando e inclinando la portadera o el cajón.

1. Pare la máquina, y después bloquee los frenos.

AVISO: Se recomienda bloquear la rueda delantera para estabilizar la máquina.

2. Libere la palanca de bloqueo.

3. Sitúese en el costado de la máquina, sujete el mango con una mano, y después levante e incline la portadera o el cajón empujando hacia arriba el bastidor de la portadera con la otra mano.

► Fig.47

⚠ PRECAUCIÓN: Sujete el mango y el bastidor de la portadera firmemente, y trabaje adoptando una postura estable.

⚠ PRECAUCIÓN: Mantenga la carga al mínimo. Si la carga es grande, no intente levantar la portadera. Reduzca la carga, y después levante la portadera.

⚠ PRECAUCIÓN: Después de volcar los objetos, asegúrese de bloquear la portadera o el cajón.

MANTENIMIENTO

⚠ PRECAUCIÓN: Asegúrese siempre de estacionar la máquina en terreno plano y bloquear la palanca del freno antes de almacenar o intentar realizar inspecciones o mantenimiento.

⚠ PRECAUCIÓN: Si están instaladas las ruedas traseras, asegúrese de que el freno de la rueda trasera está bloqueado antes de almacenar, realizar inspecciones, o mantenimiento.

⚠ PRECAUCIÓN: Asegúrese siempre de que la llave de bloqueo y el cartucho de batería han sido retirados de la máquina antes de almacenar, realizar inspecciones, o mantenimiento.

⚠ PRECAUCIÓN: Retire siempre la llave de bloqueo cuando la máquina no esté siendo utilizada. Guarde la llave de bloqueo en un lugar seguro fuera del alcance de los niños.

Comprobaciones periódicas

- Compruebe que los pernos y las tuercas están apretados firmemente.

► Fig.48

- Compruebe que la portadera está bloqueada cuando la palanca de bloqueo está bajada totalmente.

► Fig.49: 1. Bloqueo de la portadera 2. Palanca de bloqueo

- Compruebe que la palanca del freno funciona debidamente.

► Fig.50: 1. Palanca del freno

⚠ ADVERTENCIA: Si la palanca del freno llega hasta el mango cuando acciona la palanca completamente, el freno no estará funcionando debidamente. Ajuste el freno, o pida a su centro de servicio local de Makita que le hagan las reparaciones.

- Compruebe para ver si la rueda delantera no está dañada o pinchada. Compruebe que el neumático de la rueda delantera tiene suficiente aire.

Limpeza de la máquina

AVISO: No utilice nunca gasolina, bencina, disolvente, alcohol o similares. Podría producir descoloración, deformación o grietas.

AVISO: Eche el agua debajo de la portadera o el cajón cuando limpie la máquina con agua corriente. No utilice una máquina de lavar de alta presión para la limpieza.

Retire el barro, suciedad, y similares de la máquina. Limpie la máquina con agua corriente. Después de la limpieza, pase un paño seco a la máquina.

Almacenamiento

Retire la llave de bloqueo. Almacene la máquina en un lugar seguro fuera del alcance de los niños.

Cuando almacene la máquina, los mangos se pueden girar hacia la parte delantera. Retire los pernos hexagonales cortos y los pernos de tope utilizando la llave incluida en el paquete. Gire los mangos hacia el exterior, y después gírelos hacia la parte delantera. Apriete los pernos de tope y los pernos hexagonales cortos para fijar los mangos.

► **Fig.51:** 1. Perno de tope 2. Perno hexagonal corto

AVISO: No apriete los pernos hexagonales cortos con fuerza excesiva. Apriételos con la fuerza apropiada de forma que los mangos queden fijados establemente.

AVISO: No pille los cables con los pernos.

Ajuste del freno

⚠PRECAUCIÓN: Si están instaladas las ruedas traseras, asegúrese de bloquear el freno de la rueda trasera antes de ajustar el freno.

1. Retire la portadera o el cajón, y después abra el bastidor de la portadera.

► **Fig.52:** 1. Bastidor de la portadera

2. Accione la palanca del freno para liberar el botón de bloqueo de la palanca del freno.

► **Fig.53:** 1. Botón de bloqueo 2. Palanca del freno

3. Afloje el casquillo de ajuste y la tuerca de fijación.

► **Fig.54:** 1. Casquillo de ajuste 2. Tuerca de fijación

4. Apriete la tuerca de fijación solamente.

► **Fig.55:** 1. Tuerca de fijación

5. Afloje el casquillo de ajuste y la tuerca de fijación.

► **Fig.56:** 1. Casquillo de ajuste 2. Tuerca de fijación

6. Apriete la tuerca de fijación solamente.

► **Fig.57:** 1. Tuerca de fijación

7. Asegúrese de que la palanca del freno está en la posición intermedia cuando sea accionada completamente. Si la palanca del freno está en la posición intermedia, vaya al paso 13. Si la palanca del freno no está en la posición intermedia, vaya al paso 8.

► **Fig.58:** 1. Palanca del freno

8. Afloje la tuerca de fijación solamente.

► **Fig.59:** 1. Tuerca de fijación

9. Apriete juntos la tuerca de fijación y el casquillo de ajuste.

► **Fig.60:** 1. Casquillo de ajuste 2. Tuerca de fijación

10. Afloje la tuerca de fijación solamente.

► **Fig.61:** 1. Tuerca de fijación

11. Apriete juntos la tuerca de fijación y el casquillo de ajuste.

► **Fig.62:** 1. Casquillo de ajuste 2. Tuerca de fijación

12. Asegúrese de que la palanca del freno está en la posición intermedia cuando sea accionada completamente.

► **Fig.63:** 1. Palanca del freno

13. Pliegue el bastidor de la portadera, y después coloque la portadera o el cajón.

► **Fig.64:** 1. Bastidor de la portadera

Inflado del neumático

Compruebe que el neumático de la rueda delantera no se ha desinflado. Si el neumático no tiene aire suficiente, infle el neumático utilizando un inflador. La presión recomendada para el neumático es de 230 kPa.

► **Fig.65**

ACCESORIOS OPCIONALES

⚠PRECAUCIÓN: Estos accesorios o aditamentos están recomendados para su uso con la herramienta Makita especificada en este manual. El uso de cualquier otro accesorio o aditamento puede suponer un riesgo de heridas personales. Utilice el accesorio o aditamento solamente con la finalidad indicada para el mismo.

⚠PRECAUCIÓN: Utilice solamente el accesorio o acoplamiento de Makita para la máquina. La utilización de cualquier otro accesorio o acoplamiento podrá resultar en heridas personales graves.

Si necesita cualquier ayuda para más detalles en relación con estos accesorios, pregunte al centro de servicio Makita local.

- Portadera
- Cajón
- Ruedas auxiliares
- Batería y cargador genuinos de Makita

NOTA: Algunos elementos de la lista podrán estar incluidos en el paquete de la herramienta como accesorios estándar. Pueden variar de un país a otro.

ESPECIFICAÇÕES

Modelo:		DCU180
Dimensões (C x L x A)	Quando o transportador estiver instalado	Durante o funcionamento: 1.315 mm x 1.060 mm x 900 mm Quando armazenado: 1.110 mm x 820 mm x 820 mm
	Quando o balde estiver instalado	Durante o funcionamento: 1.310 mm x 820 mm x 900 mm Quando armazenado: 1.110 mm x 820 mm x 820 mm
Velocidade de deslocação	Avanço	1,5 ou 3,5 km/h
	Marcha atrás	1,0 km/h
Raio de viragem mínimo		1.075 mm (Diâmetro externo durante a viragem com a roda dianteira a servir de eixo)
Capacidade máxima de subida		12°
Capacidade máxima de carga		130 kg
Travão	Roda dianteira	Travão de disco com fio
	Roda traseira	Fixa com pedal
Pneu	Roda dianteira	Pneu sem câmara
	Roda traseira	Pneu auto-vedante
Tensão nominal		CC 18 V
Peso líquido	Quando o transportador estiver instalado	45 kg
	Quando o balde estiver instalado	39 - 40 kg

- Devido a um programa contínuo de pesquisa e desenvolvimento, estas especificações estão sujeitas a alteração sem aviso prévio.
- As especificações e a bateria podem variar de país para país.
- O peso poderá diferir em função do acessório(s), incluindo a bateria. A combinação mais leve e mais pesada, de acordo com o Procedimento EPTA 01/2014, é apresentada na tabela.

Bateria e carregador aplicável

Bateria	BL1815N / BL1820 / BL1820B / BL1830 / BL1830B / BL1840 / BL1840B / BL1850 / BL1850B / BL1860B
Carregador	DC18RC / DC18RD / DC18RE / DC18SD / DC18SE / DC18SF

- Algumas das baterias e carregadores listados acima poderão não estar disponíveis, dependendo da sua região de residência.

AVISO: Utilize apenas as baterias e carregadores listados acima. A utilização de quaisquer outras baterias e carregadores pode causar ferimentos e/ou um incêndio.

Símbolos

A seguir são apresentados os símbolos utilizados para o equipamento. Certifique-se de que compreende o seu significado antes de utilizar o equipamento.



Leia o manual de instruções.



Apenas para países da UE
Não elimine equipamentos elétricos ou baterias juntamente com o material residual doméstico!
Em cumprimento com as Diretivas Europeias relativas aos resíduos de equipamentos elétricos e eletrónicos e pilhas e acumuladores e baterias e acumuladores e resíduos de pilhas e acumuladores e a sua implementação de acordo com as leis nacionais, o equipamento elétrico e as baterias e pacote(s) de bateria(s) que atingiram o fim de vida têm de ser recolhidos separadamente e devolvidos a instalações de reciclagem compatíveis a nível ambiental.



Puxe a alavanca totalmente para baixo e verifique se o transportador ou o balde está bloqueado.



Não mude a direção em terrenos íngremes.



Carregue e descarregue objetos em terreno plano.



Carregue os objetos no transportador ou balde uniformemente.



Esta máquina não pode ser utilizada na via pública.



Não utilize para transportar pessoas.



Não exponha à chuva.



Para cancelar o sinal sonoro, solte o gatilho do interruptor e puxe a alavanca do travão.



Não olhe diretamente para feixe.

Utilização a que se destina

A máquina destina-se à carga e ao transporte de objetos com assistência alimentada a bateria.

Ruído

A característica do nível de ruído A determinado de acordo com a EN62841:

Nível de pressão acústica (L_{pA}): 70 dB (A) ou menos
Variabilidade (K): 3 dB (A)

O nível de ruído durante o funcionamento pode exceder 80 dB (A).

NOTA: O(s) valor(es) da emissão de ruído indicado(s) foi medido de acordo com um método de teste padrão e pode ser utilizado para comparar duas ferramentas.

NOTA: O(s) valor(es) da emissão de ruído indicado(s) pode também ser utilizado na avaliação preliminar da exposição.

AVISO: Utilize protetores auriculares.

AVISO: A emissão de ruído durante a utilização real da ferramenta elétrica pode diferir do(s) valor(es) indicado(s), dependendo das formas como a ferramenta é utilizada, especialmente o tipo de peça de trabalho que é processada.

AVISO: Certifique-se de identificar as medidas de segurança para proteção do operador que sejam baseadas em uma estimativa de exposição em condições reais de utilização (considerando todas as partes do ciclo de operação, tal como quando a ferramenta está desligada e quando está a funcionar em marcha lenta além do tempo de acionamento).

Vibração

Valor total da vibração (soma vetorial tri-axial) determinado de acordo com a EN62841:

Modo de trabalho: funcionamento sem carga
Emissão de vibração (a_{h1}): 2,5 m/s^2 ou menos
Variabilidade (K): 1,5 m/s^2

NOTA: O(s) valor(es) total(ais) de vibração indicado(s) foi medido de acordo com um método de teste padrão e pode ser utilizado para comparar duas ferramentas.

NOTA: O(s) valor(es) total(ais) de vibração indicado(s) pode também ser utilizado na avaliação preliminar da exposição.

AVISO: A emissão de vibração durante a utilização real da ferramenta elétrica pode diferir do(s) valor(es) indicado(s), dependendo das formas como a ferramenta é utilizada, especialmente o tipo de peça de trabalho que é processada.

AVISO: Certifique-se de identificar as medidas de segurança para proteção do operador que sejam baseadas em uma estimativa de exposição em condições reais de utilização (considerando todas as partes do ciclo de operação, tal como quando a ferramenta está desligada e quando está a funcionar em marcha lenta além do tempo de acionamento).

Declaração de conformidade da CE

Apenas para os países europeus

A declaração de conformidade da CE está incluída como Anexo A neste manual de instruções.

AVISOS DE SEGURANÇA

Avisos gerais de segurança para ferramentas elétricas

AVISO: Leia todos os avisos de segurança, instruções, ilustrações e especificações fornecidos com esta ferramenta elétrica. O não cumprimento de todas as instruções indicadas em baixo pode resultar em choque elétrico, incêndio e/ou ferimentos graves.

Guarde todos os avisos e instruções para futuras referências.

O termo "ferramenta elétrica" nos avisos refere-se às ferramentas elétricas ligadas à corrente elétrica (com cabo) ou às ferramentas elétricas operadas por meio de bateria (sem cabo).

Avisos de segurança do carrinho de mão a bateria

1. Use sempre calçado antiderrapante e de proteção enquanto utiliza a máquina. As botas e sapatos de proteção antideslizantes e com biqueira fechada reduzem o risco de lesão.
2. Inspeção o percurso antes de transportar objetos/materiais. Familiarizar-se com o percurso e certificar-se de que este é suficientemente amplo para conduzir a máquina em segurança sob carga irá ajudar a reduzir a perda de controlo da máquina.

3. **Tenha cuidado extremo em terreno escorregadio, soltos e instáveis.** As superfícies húmidas e escorregadias como, por exemplo, áreas de relvados molhados, neve ou gelo e terreno solto e instável como, por exemplo, superfícies de areia ou gravilha poderão causar a perda de tração da máquina e poderão afetar a condução, a travagem e a estabilidade de forma adversa.
 4. **Não utilize a máquina em terrenos excessivamente íngremes.** Isto reduz o risco de perda de controlo, deslizamento e queda que podem resultar em lesões físicas. Os declives superiores ao grau máximo recomendado e graus laterais podem aumentar o risco de instabilidade e podem afetar, de forma adversa, a capacidade de parar em segurança.
 5. **Quando estiver a trabalhar em declives, certifique-se sempre onde posiciona os pés, trabalhe sempre em toda a face dos declives, nunca para cima ou para baixo e exerça de extremo cuidado quando mudar de direção.** Isto reduz o risco de perda de controlo, deslizamento e queda que podem resultar em lesões físicas.
 6. **Sempre que possível, utilize áreas niveladas para parar, carregar e descarregar a máquina e nunca deixe a máquina sem supervisão num declive.** A máquina é mais instável quando está parada num declive do que quando está parada numa superfície plana.
 7. **Quando parar em declives, vire a máquina para subida ou descida e bloqueie as rodas destravadas.** A máquina é menos instável quando está voltada para a face de um declive. As rodas destravadas, especialmente as do tipo rodízio, podem potencialmente virar e rolar em declive mesmo quando o travão de estacionamento da roda dianteira estiver acionado.
 8. **Quando deixar a máquina sem supervisão, acione o travão de estacionamento logo que a máquina se encontre numa área de paragem segura.** O travão de estacionamento evita o movimento indesejável da roda dianteira e pode melhorar a estabilidade.
 9. **Assegure que as rampas estão limpas, sólidas e seguras.** De modo a reduzir o risco de lesão, todas as rampas devem estar desimpedidas de resíduos soltos e devem ser suficientemente sólidas para suportar o peso de cargas previstas que serão movidas sobre estas. Devem dispor de bloqueio adequado por baixo e de ambos os lados para eliminar desvios e o movimento de oscilação lateral sob carga. Todas as rampas devem ser suficientemente amplas para dispor de um posicionamento seguro no solo durante o transporte de cargas através destas.
 10. **Assegure que a tremonha está descida e que as tremonhas e as caçambas estão trancadas em segurança quando não estiver a despejar a carga e quando armazenar a máquina.** As tremonhas ou as caçambas destrancadas podem abrir ou deslocar-se inesperadamente.
 11. **Evite prolongar as rampas sem rodapés ou grades ao longo de espaços abertos.** Os espaços abertos elevados e valas a céu aberto convidam a quedas acidentais e aumentam o potencial para a ocorrência de lesões físicas. Utilize rodapés ou grades em rampas ao longo de espaços abertos para impedir conduzir a máquina fora da rampa.
 12. **Certifique-se de que todos os parafusos de bloqueio estão firmemente apertados antes de utilizar a máquina.** Os parafusos de bloqueio nas rodas traseiras e nos painéis dianteiros e laterais do transportador aberto devem estar apertados, de modo a evitar o movimento indesejável destas peças ajustáveis da máquina.
 13. **Nunca utilize a máquina num estado de sobrecarga.** Certifique-se de que a máquina possui um nível de capacidade apropriado para os objetos ou materiais que têm de ser transportados. As cargas excessivas tornam a máquina mais difícil de manobrar e parar, aumentam o tempo e a distância de paragem e aumentam o risco de instabilidade.
 14. **Nunca utilize a máquina num estado de empilhamento excessivo.** Empilhar material acima da orla do tabuleiro ou sobre as laterais do tabuleiro pode provocar o desequilíbrio total e a perda de controlo.
 15. **Utilize contentores e amarrações para fixar cargas.** As cargas soltas e/ou inseguras têm maior probabilidade de sofrer desvios que podem resultar na perda de estabilidade e controlo.
 16. **Segure as pegas sempre com firmeza.** A perda de controlo pode aumentar o risco de lesões físicas.
 17. **Remova a chave de segurança quando não estiver a ser utilizada.** A chave de segurança evita a utilização acionada indesejável da máquina como, por exemplo, por crianças ou outras pessoas sem formação ou não autorizadas. Sem a chave não é possível ligar a alimentação elétrica.
 18. **Esta máquina não pode ser utilizada na via pública.** A utilização do carrinho de mão na via pública é ilegal e pode resultar em multas locais, podendo além disso resultar em lesões físicas.
 19. **Utilize uma placa robusta com função anti-deslizante e contra desprendimento quando carregar e/ou descarregar esta máquina para transporte ou quando mover esta máquina entre diferentes níveis.** Certifique-se de que a inclinação da placa não excede 12° e utilize a máquina lenta e cuidadosamente. A operação instável e rápida pode resultar em tombamento e/ou queda.
 20. **Não desmonte, repare ou modifique esta máquina.**
- Funcionamento**
1. **Permaneça por trás da máquina e segure as pegas com firmeza quando utilizar a máquina.**
 2. **Não utilize a máquina enquanto conduz a máquina.**
 3. **Não permita que terceiros conduzam a máquina.**
 4. **Quando utiliza a máquina em marcha atrás e ao caminhar para trás, esteja atento ao percurso atrás de si e tenha cuidado para não escorregar ou tropeçar.**
 5. **Não utilize a máquina quando a visibilidade for fraca porque existe o risco de bater em obstáculos.**
 6. **Quando utilizar a máquina em terreno acidentado, diminua a velocidade e tenha cuidado.**
 7. **Quando utilizar a máquina, evite terrenos pouco sólidos, de modo a evitar a capotagem devido ao colapso do acostamento.**
 8. **Não utilize a máquina em subidas com uma inclinação superior a 12°.**

9. Se detetar uma anomalia, pare a máquina em terreno plano. Antes de inspecionar a máquina, puxe a alavanca do travão e bloqueie o travão e, de seguida, desligue a alimentação elétrica.
10. Antes de utilizar a máquina, certifique-se de que a alavanca de bloqueio está totalmente puxada para baixo e completamente bloqueada. Se o bloqueio estiver incompleto, existe o risco de acidente ou lesão, dado que o transportador ou o balde poderão ser inclinados e os objetos caírem quando efetuar a descida.
11. Tenha cuidado para não emaranhar os cabos com a carga ou obstáculos.

Funcionamento em declives

1. Não atravesse declives.
2. Certifique-se de que diminui a velocidade e adota a devida precaução.
3. Tenha cuidado quando efetua o arranque ou a paragem da máquina em declives.
4. Dado que as cargas se tornam menos estáveis nos declives, segure as cargas firmemente com cordas.
5. Dado que a máquina se torna instável em função do estado da estrada, mantenha a carga num nível mínimo.
6. Dado que a visibilidade é obscura em declives, mantenha a altura da carga num nível mínimo.
7. Nunca estacione a máquina em terrenos íngremes. Estacione a máquina em terreno plano, puxe a alavanca do travão e bloqueie o travão e, de seguida, desligue a alimentação elétrica.
8. Não mude a direção ou o modo de velocidade em terrenos íngremes.
9. Não solte o gatilho do interruptor em subidas. A máquina pode efetuar marcha atrás e causar um acidente.
10. Certifique-se de que a capacidade restante da bateria é suficiente antes de utilizar a máquina em declives. Se a capacidade restante da bateria não for suficiente, carregue a bateria ou substitua-a por uma carregada.

Carregar objetos

1. Não carregue demasiados objetos. Quando carregar objetos, certifique-se de que segue as instruções e os limites de carga referidos no manual.
2. Segure os objetos firmemente com cordas.
3. Carregue os objetos dentro do transportador ou balde. Se os objetos saírem do transportador ou do balde, existe o risco de acidentes devido à queda de objetos ou ao contacto com obstáculos como, por exemplo, paredes.
4. Certifique-se de que os objetos carregados se encontram abaixo do nível da visão. Se a carga for demasiado alta representa um perigo porque a visibilidade é obscura. Além disso, existe o risco de capotagem e lesões porque a carga provavelmente não é equilibrada.
5. Carregue os objetos no transportador ou balde uniformemente. Se os objetos forem carregados de modo desigual, existe o risco de capotagem e lesões porque a carga provavelmente não é equilibrada.

6. Antes de carregar os objetos ou utilizar a máquina, certifique-se de que a alavanca de bloqueio está totalmente puxada para baixo e completamente bloqueada.
7. Certifique-se de que carrega objetos pesados em primeiro lugar para manter o equilíbrio.
8. Não prolongue as longarinas dianteiras e laterais em terrenos íngremes. Prolongue as longarinas laterais quando carregar objetos leves.
9. Quando prolongar as longarinas dianteiras e laterais, não as prolongue além do limite de extensão. Certifique-se de que prolonga as longarinas laterais, de modo que os lados direito e esquerdo possuam o mesmo comprimento e carregue os objetos uniformemente.
10. Carregue e descarregue objetos em terreno plano.
11. Quando elevar e inclinar o transportador ou balde, segure as pegas e a estrutura firmemente e trabalhe numa postura estável.

Manutenção

1. Certifique-se sempre de que estaciona a máquina em terreno plano e bloqueie a alavanca do travão antes de proceder ao armazenamento ou tentar realizar inspeções ou manutenção.

GUARDE ESTAS INSTRUÇÕES.

⚠️ AVISO: NÃO permita que conforto ou familiaridade com o produto (adquirido com o uso repetido) substitua a aderência estrita às regras de segurança da ferramenta. **MÁ INTERPRETAÇÃO** ou não seguimento das regras de segurança estabelecidas neste manual de instruções pode causar danos pessoais sérios.

Instruções de segurança importantes para a bateria

1. Antes de utilizar a bateria, leia todas as instruções e etiquetas de precaução no (1) carregador de bateria (2) bateria e (3) produto que utiliza a bateria.
2. Não abra a bateria.
3. Se o tempo de funcionamento se tornar excessivamente curto, pare o funcionamento imediatamente. Pode resultar em sobreaquecimento, possíveis queimaduras e mesmo explosão.
4. Se entrar eletrólito nos seus olhos, lave-os com água e consulte imediatamente um médico. Pode resultar em perda de visão.
5. Não coloque a bateria em curto-circuito:
 - (1) Não toque nos terminais com qualquer material condutor.
 - (2) Evite guardar a bateria juntamente com outros objetos metálicos tais como pregos, moedas, etc.
 - (3) Não exponha a bateria à água ou chuva. Um curto-circuito pode ocasionar um enorme fluxo de corrente, sobreaquecimento, possíveis queimaduras e mesmo estragar-se.

6. Não guarde a ferramenta e a bateria em locais onde a temperatura pode atingir ou exceder 50°C.
7. Não queime a bateria mesmo que esteja estragada ou completamente gasta. A bateria pode explodir no fogo.
8. Tenha cuidado para não deixar cair ou dar pancadas na bateria.
9. Não utilize uma bateria danificada.
10. As baterias de íões de lítio contidas na ferramenta são sujeitas aos requisitos da DGL (Dangerous Goods Legislation - Legislação de bens perigosos).

Para o transporte comercial, por exemplo, por terceiros ou agentes de expedição, têm de ser observados os requisitos referentes à embalagem e etiquetagem.

Para preparação do artigo a ser expedido, é necessário consultar um perito em materiais perigosos. Tenha ainda em conta a possibilidade de existirem regulamentos nacionais mais detalhados.

Coloque fita-cola ou tape os contactos abertos e embale a bateria de tal forma que não possa mover-se dentro da embalagem.

11. **Siga os regulamentos locais relacionados com a eliminação de baterias.**
12. **Utilize as baterias apenas com os produtos especificados pela Makita.** Instalar as baterias em produtos não-conformes poderá resultar num incêndio, calor excessivo, explosão ou fuga de eletrólito.

GUARDE ESTAS INSTRUÇÕES.

⚠PRECAUÇÃO: Utilize apenas baterias genuínas da Makita. A utilização de baterias não genuínas da Makita ou de baterias que foram alteradas, pode resultar no rebentamento da bateria provocando incêndios, ferimentos pessoais e danos. Além disso, anulará da garantia da Makita no que se refere à ferramenta e ao carregador Makita.

Conselhos para manter a máxima vida útil da bateria

1. Carregue a bateria antes que esteja completamente descarregada. Pare sempre o funcionamento da ferramenta e carregue a bateria quando notar menos poder na ferramenta.
2. Nunca carregue uma bateria completamente carregada. Carregamento excessivo diminui a vida útil da bateria.
3. Carregue a bateria à temperatura ambiente de 10°C – 40°C. Deixe que uma bateria quente arrefeça antes de a carregar.
4. Carregue a bateria se não a utilizar durante um longo período de tempo (mais de seis meses).

DESCRIÇÃO DAS PEÇAS

Descrição das peças (quando o transportador está instalado)

► Fig.1

1	Painel de controlo	2	Pega
3	Gatilho do interruptor	4	Caixa da bateria
5	Alavanca do travão para a roda dianteira	6	Roda traseira
7	Pedal do travão para a roda traseira	8	Lâmpada
9	Roda dianteira	10	Transportador

Descrição das peças (quando o balde está instalado)

► Fig.2

1	Painel de controlo	2	Pega
3	Gatilho do interruptor	4	Caixa da bateria
5	Alavanca do travão para a roda dianteira	6	Roda traseira
7	Pedal do travão para a roda traseira	8	Lâmpada
9	Roda dianteira	10	Balde

MONTAGEM

⚠PRECAUÇÃO: Certifique-se sempre de que a máquina está desligada e que a bateria é removida antes de realizar qualquer trabalho na máquina.

Montar a unidade principal

1. Retire a unidade base e as pegas da caixa.
- Fig.3

OBSERVAÇÃO: Certifique-se de que retira a unidade base e as pegas conjuntamente, de modo a não exercer força excessiva nos cabos.

2. Coloque o material da embalagem sob o lado traseiro da unidade base.

► Fig.4: 1. Material da embalagem

3. Insira as rodas traseiras na estrutura.

► Fig.5: 1. Roda traseira

► Fig.6: 1. Roda traseira

NOTA: Os pés de suporte podem ser fixos em vez das rodas traseiras.

4. Fixe a arruela de pressão e a anilha no perno hexagonal curto e, de seguida, aperte-os com a chave de caixa incluída na embalagem.

► Fig.7: 1. Perno hexagonal curto 2. Arruela de pressão 3. Anilha

► Fig.8

OBSERVAÇÃO: Certifique-se de que utiliza os pernos hexagonais curtos para apertar as rodas traseiras.

OBSERVAÇÃO: Fixe as rodas traseiras na mesma posição em ambos os lados.

5. Eleve as pegas e, de seguida, insira-as na unidade base.
► Fig.9

OBSERVAÇÃO: Não permite a presença de cabos no interior da área "A" na figura. Os objetos longos poderão emaranhar-se com os cabos e causar acidentes.

OBSERVAÇÃO: Não aplique força excessiva nos cabos quando levantar e inserir as pegas.

OBSERVAÇÃO: Certifique-se de que levanta as pegas com ambas as mãos.

6. Abra a estrutura do transportador para a frente.
► Fig.10: 1. Estrutura do transportador
7. Desdobre as pegas e, de seguida, insira os pernos hexagonais longos na unidade base e, de seguida, aperte as porcas com a chave de caixa incluída na embalagem.
► Fig.11: 1. Perno hexagonal longo
8. Aperte os pernos de cabeça cilíndrica da parte traseira utilizando a chave de caixa incluída na embalagem.
► Fig.12: 1. Perno de cabeça cilíndrica
9. Aperte os pernos hexagonais curtos de ambos os lados utilizando a chave de caixa incluída na embalagem para fixar as pegas.
► Fig.13: 1. Perno hexagonal curto

OBSERVAÇÃO: Não aperte os pernos hexagonais curtos com força excessiva. Aperte-os com força adequada, de modo que as pegas fiquem fixas de modo estável.

OBSERVAÇÃO: Não aperte os cabos com os pernos.

10. Fixe os cabos com as braçadeiras.
► Fig.14: 1. Braçadeira
11. Dobre a estrutura do transportador.
► Fig.15: 1. Estrutura do transportador
12. Pressione o botão de bloqueio enquanto puxa a alavanca do travão para bloquear o travão.
► Fig.16: 1. Botão de bloqueio 2. Alavanca do travão

PRECAUÇÃO: Se as rodas traseiras estiverem instaladas, pressione o pedal do travão para a roda traseira para bloquear a roda traseira.

13. Enganche o bloqueio do transportador e, de seguida, puxe a alavanca de bloqueio para baixo para bloquear o transportador.
► Fig.17: 1. Bloqueio do transportador 2. Alavanca de bloqueio

OBSERVAÇÃO: Certifique-se de que a alavanca de bloqueio está firmemente bloqueada.

OBSERVAÇÃO: Não aperte os cabos com a alavanca de bloqueio.

NOTA: Se fixar os pés de suporte em vez das rodas traseiras, remova as rodas traseiras das estruturas e, de seguida, fixe os pés de suporte nas estruturas.

- Fig.18: 1. Roda traseira 2. Pé de suporte

Montar e instalar o transportador

Accessório opcional

1. Retire o transportador da caixa, fixe as longarinas laterais na estrutura base e, de seguida, aperte as porcas de polegar para fixar as longarinas.
► Fig.19: 1. Porca de polegar

2. Coloque o transportador na unidade base e, de seguida, insira os pernos hexagonais e as anilhas nas estruturas da parte superior. Aperte as anilhas e as arruelas de pressão e as porcas de orelhas da parte inferior para fixar o transportador.

- Fig.20: 1. Perno hexagonal longo 2. Perno hexagonal curto 3. Anilha 4. Arruela de pressão 5. Porca de orelhas

OBSERVAÇÃO: Utilize os pernos longos para a parte dianteira e os pernos curtos para a parte traseira.

Instalar o balde

Accessório opcional

Coloque o balde na unidade base, insira os pernos hexagonais nas estruturas e, de seguida, aperte as anilhas e as arruelas de pressão e as porcas de orelhas da parte inferior para fixar o balde.

- Fig.21: 1. Perno hexagonal 2. Anilha 3. Arruela de pressão 4. Porca de orelhas

DESCRIÇÃO FUNCIONAL

Instalação ou remoção da bateria

PRECAUÇÃO: Desligue sempre a máquina antes de instalar ou remover a bateria.

PRECAUÇÃO: Certifique-se de que tranca a tampa da bateria antes de utilizar a ferramenta. Caso contrário a lama, sujidade ou água podem provocar danos no produto ou na bateria.

PRECAUÇÃO: Instale sempre a bateria completamente até deixar de ver o indicador vermelho. Caso contrário, pode cair para fora da máquina, causando lesões a si ou a alguém próximo de si.

PRECAUÇÃO: Não instale a bateria forçando-a. Se a bateria não entrar com facilidade, é porque não está a inseri-la corretamente.

PRECAUÇÃO: Não utilize a bateria de alta temperatura. Quando a bateria de alta temperatura for utilizada, a máquina para automaticamente antes de emitir um breve sinal sonoro e poderá causar lesões.

Instalar a bateria

1. Rode a alavanca de bloqueio e, de seguida, abra a cobertura da caixa da bateria.
► **Fig.22:** 1. Alavanca de bloqueio 2. Cobertura
2. Alinhe a lingueta na bateria com a ranhura na caixa da bateria e, de seguida, deslize a bateria até bloquear na posição correta ou ouvir um pequeno clique. Se conseguir ver o indicador vermelho no lado superior do botão, a bateria não está completamente bloqueada.
► **Fig.23:** 1. Bateria
3. Insira a chave de segurança como indicado na ilustração o mais fundo possível.
► **Fig.24:** 1. Chave de segurança

NOTA: Se a chave de bloqueio não estiver completamente inserida, a máquina não funciona.

4. Feche a cobertura da caixa da bateria e, de seguida, rode a alavanca de bloqueio.
► **Fig.25:** 1. Alavanca de bloqueio 2. Cobertura

Remover a bateria

1. Rode a alavanca de bloqueio e, de seguida, abra a cobertura da caixa da bateria.
2. Retire a bateria da caixa da bateria enquanto desliza o botão na parte dianteira da bateria.
► **Fig.26:** 1. Botão
3. Retire a chave de segurança.
4. Feche a cobertura da caixa da bateria e, de seguida, rode a alavanca de bloqueio.

Sistema de proteção da máquina / bateria

A máquina está equipada com um sistema de proteção da máquina/bateria. Este sistema corta automaticamente a alimentação elétrica do motor para prolongar a vida útil da máquina e da bateria. A máquina para automaticamente durante o funcionamento se a máquina ou a bateria estiver sob uma das seguintes condições. Um breve sinal sonoro é emitido antes de a máquina parar automaticamente. Os indicadores da bateria e os indicadores LED piscam enquanto o sinal sonoro é emitido.

Proteção contra sobrecarga

Quando a máquina é utilizada de uma forma que causa a absorção de corrente anormalmente alta, a máquina para automaticamente sem qualquer indicação. Nesta situação, desligue a máquina e elimine a causa da sobrecarga e, de seguida, ligue a máquina para efetuar o rearranque.

Proteção contra sobreaquecimento

A máquina para automaticamente quando estiver sobreaquecida. Deixe a máquina arrefecer antes de ligá-la novamente. A proteção contra sobreaquecimento provavelmente resultará quando submetida a um ambiente de temperatura elevada.

Proteção contra descarga excessiva

A máquina para automaticamente quando a capacidade da bateria baixa. Se a máquina não funciona mesmo quando os interruptores são utilizados, remova a bateria e carregue-a.

Trocar a bateria







- **Fig.27:** 1. Interruptor de seleção da bateria
- É possível instalar até duas baterias na caixa da bateria, embora a máquina utilize apenas uma bateria para funcionar. Antes de utilizar a máquina, selecione a bateria utilizada para o funcionamento ao pressionar o número no interruptor de seleção da bateria.

OBSERVAÇÃO: Se apenas estiver instalada uma bateria na caixa da bateria, certifique-se de que seleciona a caixa da bateria na qual a bateria está instalada.

Indicar a capacidade restante da bateria na caixa da bateria

PRECAUÇÃO: Antes de verificar as capacidades restantes da bateria ou de trocar a bateria, certifique-se de que para a máquina.

- **Fig.28:** 1. Indicador da bateria 2. Botão de verificação
- Prima o botão de verificação para indicar a capacidade restante das baterias. Os indicadores da bateria correspondem a cada bateria.

Indicador de estado da bateria		Capacidade restante da bateria
 Aceso	 Apagado	
		50% - 100%
		20% - 50%
		0% - 20%
		Bateria não instalada

PRECAUÇÃO: Quando a capacidade da bateria diminui, é emitido um breve sinal sonoro. Se continuar a utilizar a máquina com uma capacidade reduzida da bateria, é emitido um sinal sonoro longo e a máquina para automaticamente. Quando ouvir o sinal sonoro breve, puxe a alavanca do travão e bloqueie o travão e, de seguida, troque a bateria para uma carregada ou carregue a bateria. Quando a capacidade restante da bateria se esgotar, a máquina para automaticamente, e de forma súbita, podendo causar uma lesão.

NOTA: Se continuar a puxar o gatilho do interruptor caso ouça o sinal sonoro breve, a máquina para automaticamente. Após a máquina parar automaticamente, o sinal sonoro continua e o travão de suporte (travão elétrico) é acionado. Para cancelar o sinal sonoro e soltar o travão de suporte, puxe a alavanca do travão e solte o gatilho do interruptor. Não empurre a máquina à força sem soltar o travão de suporte. Após soltar o travão de suporte saberá distinguir qual o sistema de proteção da bateria que está a funcionar ao verificar o estado do indicador da bateria.

- **Fig.29:** 1. Iluminação 2. Intermitente 3. Desligado
4. Proteção contra sobreaquecimento
5. Proteção contra descarga excessiva
6. Proteção contra sobrecarga

⚠PRECAUÇÃO: Se o sinal sonoro for emitido durante o funcionamento da máquina em declives ou se a máquina parar automaticamente em declives, mova a máquina para um local seguro, bloqueie o travão e, de seguida, troque a bateria para uma carregada ou carregue a bateria.

Se a carga for volumosa e o sinal sonoro for emitido durante o funcionamento da máquina em declives ou se a máquina parar automaticamente em declives, não mova a máquina à força. Bloqueie o travão, preste atenção à segurança e troque a bateria para uma carregada e, de seguida, mova a máquina para um local seguro. Reduza a carga antes de utilizar a máquina novamente.














NOTA: Pode verificar a capacidade restante da bateria mesmo se a chave de bloqueio não estiver inserida.

Indicação da capacidade restante da bateria

Apenas para baterias com indicador

- **Fig.30:** 1. Luzes indicadoras 2. Botão de verificação

Prima o botão de verificação na bateria para indicar a capacidade restante da bateria. As luzes indicadoras acendem durante alguns segundos.

Luzes indicadoras			Capacidade restante
 Aceso	 Apagado	 A piscar	
			75% a 100%
			50% a 75%
			25% a 50%
			0% a 25%
			Carregar a bateria.
 ↑ ↓ 			A bateria pode estar avariada.

NOTA: Dependendo das condições de utilização e da temperatura ambiente, a indicação pode ser ligeiramente diferente da capacidade real.

Painel de controlo

- **Fig.31:** 1. Botão de alimentação 2. Botão avançar/recurar 3. Botão de velocidade

Para ligar a máquina, pressione o botão de alimentação durante alguns segundos. Pressione o botão avançar/recurar para alternar entre o modo de avanço e o modo de recuo. Pressione o botão de velocidade para alternar entre velocidade baixa e velocidade alta. Quando a alimentação estiver ligada, o modo de avanço e a velocidade baixa estão ativados. Para desligar a máquina, pressione o botão de alimentação durante alguns segundos.

NOTA: O botão avançar/recurar não está disponível enquanto puxa o gatilho do interruptor.

NOTA: Um sinal sonoro breve é emitido quando utiliza a máquina em marcha atrás.

NOTA: O botão de velocidade não está disponível quando utiliza a máquina em marcha atrás.

Ação do interruptor e do travão

⚠AVISO: Antes de instalar a bateria na máquina, verifique sempre se o gatilho do interruptor atua devidamente e retorna à posição desligado quando é solto.

Para efetuar o arranque da máquina, puxe o gatilho do interruptor. Para parar a máquina, solte o gatilho do interruptor e puxe a alavanca do travão. Para bloquear a alavanca do travão, pressione o botão de bloqueio enquanto puxa a alavanca do travão. Para soltar o bloqueio, puxe a alavanca do travão.

- **Fig.32:** 1. Gatilho do interruptor

- **Fig.33:** 1. Botão de bloqueio 2. Alavanca do travão

Travão da roda traseira

As rodas traseiras estão equipadas com os travões. Pressione os pedais dos travões para a frente para bloquear os travões. Para soltar os travões, pressione os pedais dos travões para trás.

- **Fig.34:** 1. Pedal

Acender as lâmpadas dianteiras

Pressione o botão da lâmpada na caixa da bateria para acender as lâmpadas. Para desligar as lâmpadas, pressione novamente o botão da lâmpada.

- **Fig.35:** 1. Botão da lâmpada 2. Lâmpada

NOTA: As lâmpadas desligam se a máquina for deixada sem supervisão durante aproximadamente 10 minutos.

NOTA: As lâmpadas desligam quando a alimentação é desligada.

NOTA: Pode acender as lâmpadas mesmo se a chave de bloqueio não estiver inserida.

Ajustar a altura da pega

Remova os pernos hexagonais curtos e os pernos de cabeça cilíndrica utilizando a chave de caixa incluída na embalagem e, de seguida, ajuste a altura da pega. A altura pode ser ajustada para três níveis. Aperte os pernos de cabeça cilíndrica e os pernos hexagonais curtos para fixar a pega.

► **Fig.36:** 1. Perno hexagonal curto 2. Perno de cabeça cilíndrica

OBSERVAÇÃO: Fixe as pegas esquerda e direita à mesma altura.

OBSERVAÇÃO: Não aperte os pernos hexagonais curtos com força excessiva. Aperte-os com força adequada, de modo que as pegas fiquem fixas de modo estável.

OBSERVAÇÃO: Não aperte os cabos com os pernos.

Ajustar a largura do transportador

Solte as 4 porcas de polegar e, de seguida, deslize as longarinas laterais. Aperte as porcas de polegar para fixar as longarinas laterais.

► **Fig.37:** 1. Porca de polegar 2. Longarina

PRECAUÇÃO: Não deslize as longarinas além da marca de limite.

► **Fig.38**

OPERAÇÃO

Utilizar a máquina

OBSERVAÇÃO: A roda dianteira é acionada por bateria nesta máquina. Utilize esta máquina para auxiliar nas operações de transporte.

OBSERVAÇÃO: Certifique-se de que insere a chave de bloqueio na caixa da bateria antes do funcionamento. Se a chave de bloqueio não estiver inserida, é emitido um breve sinal sonoro quando puxa o gatilho do interruptor. O sinal sonoro para ao soltar o gatilho do interruptor e ao puxar a alavanca do travão.

Antes de utilizar a máquina, verifique se a alavanca do travão funciona corretamente.

► **Fig.39:** 1. Alavanca do travão

AVISO: Se a alavanca do travão chegar à pega quando puxar completamente a alavanca, o travão não está a funcionar corretamente. Ajuste o travão ou solicite reparações ao Centro de Assistência Makita local.

1. Selecione a bateria com o interruptor de seleção da bateria.
 2. Pressione o botão de alimentação no painel de controlo durante alguns segundos para ligar a máquina.
- **Fig.40:** 1. Botão de alimentação

3. Puxe a alavanca do travão para soltar o bloqueio da alavanca do travão.

► **Fig.41:** 1. Botão de bloqueio 2. Alavanca do travão

NOTA: Solte o travão da roda traseira se as rodas traseiras estiverem instaladas.

4. Segure as pegas firmemente com ambas as mãos.
- **Fig.42**
5. Puxe o gatilho do interruptor.
- **Fig.43:** 1. Gatilho do interruptor

Carregar objetos

PRECAUÇÃO: Antes de carregar objetos na máquina, certifique-se de que a alimentação elétrica está desligada e que a alavanca do travão está bloqueada.

PRECAUÇÃO: Se as rodas traseiras estiverem instaladas, certifique-se de que o travão da roda traseira está bloqueado antes de carregar objetos na máquina.

PRECAUÇÃO: Antes de carregar objetos na máquina, certifique-se de que o transportador ou o balde está bloqueado.

PRECAUÇÃO: Certifique-se de que carrega os objetos dentro do transportador ou balde. Se os objetos estiverem a sair do transportador ou do balde podem cair ou sucumbir se tocarem em obstáculos.

► **Fig.44**

PRECAUÇÃO: Certifique-se de que carrega os objetos de forma a se encontrarem abaixo do nível da visão. Se a carga for demasiado alta representa um perigo porque a visibilidade é obscura. Além disso, existe o risco de capotagem e lesões porque a carga provavelmente não é equilibrada.

► **Fig.45**

Quando carregar objetos no transportador, fixe os objetos com cordas e amarre-os aos ganchos das cordas.

► **Fig.46**

Despejar objetos

PRECAUÇÃO: Eleve o transportador ou o balde em terreno plano e estável. O funcionamento em terreno instável pode causar um acidente ou lesões.

Pode despejar os objetos ao elevar e inclinar o transportador ou o balde.

1. Pare a máquina e, de seguida, bloqueie os travões.

OBSERVAÇÃO: Recomenda-se bloquear a roda dianteira para estabilizar a máquina.

2. Solte a alavanca de bloqueio.
 3. Permaneça lateralmente à máquina, segure a pega com uma mão e, de seguida, eleve e incline o transportador ou o balde ao empurrar a estrutura do transportador para cima com a outra mão.
- **Fig.47**

⚠️ PRECAUÇÃO: Segure a pega e a estrutura do transportador firmemente e trabalhe adotando uma postura estável.

⚠️ PRECAUÇÃO: Mantenha a carga a um nível mínimo. Se a carga for volumosa, não tente elevar o transportador. Reduza a carga e, de seguida, eleve o transportador.

⚠️ PRECAUÇÃO: Após despejar os objetos, certifique-se de que bloqueia o transportador ou o balde.

MANUTENÇÃO

⚠️ PRECAUÇÃO: Certifique-se sempre de que estaciona a máquina em terreno plano e bloqueie a alavanca do travão antes de proceder ao armazenamento ou tentar realizar inspeções ou manutenção.

⚠️ PRECAUÇÃO: Se as rodas traseiras estiverem instaladas, certifique-se de que o travão da roda traseira está bloqueado antes de proceder ao armazenamento, inspeções ou manutenção.

⚠️ PRECAUÇÃO: Certifique-se sempre de que a chave de bloqueio e a bateria são removidas da máquina antes de proceder ao armazenamento, inspeções ou manutenção.

⚠️ PRECAUÇÃO: Remova sempre a chave de bloqueio quando a máquina não estiver a ser utilizada. Guarde a chave de bloqueio num local seguro, fora do alcance das crianças.

Verificações periódicas

- Verifique se os pernos e porcas estão firmemente apertados.
▶ Fig.48
- Verifique se o transportador está bloqueado quando a alavanca de bloqueio está completamente puxada para baixo.
▶ Fig.49: 1. Bloqueio do transportador 2. Alavanca de bloqueio
- Verifique se a alavanca do travão funciona corretamente.
▶ Fig.50: 1. Alavanca do travão

⚠️ AVISO: Se a alavanca do travão chegar à pega quando puxar completamente a alavanca, o travão não está a funcionar corretamente. Ajuste o travão ou solicite reparações ao Centro de Assistência Makita local.

- Verifique se a roda dianteira não está danificada ou plana. Verifique se o ar no pneu para a roda dianteira é suficiente.

Limpar a máquina

OBSERVAÇÃO: Nunca utilize gasolina, benzina, diluente, álcool ou produtos semelhantes. Pode ocorrer a descoloração, deformação ou rachaduras.

OBSERVAÇÃO: Verta água por baixo do transportador ou do balde quando limpar a máquina com água corrente. Não utilize a lavadora de alta pressão para realizar a limpeza.

Remova lama, sujidade e similares da máquina. Limpe a máquina com água corrente. Após a limpeza, limpe a máquina com um pano seco.

Armazenamento

Remova a chave de bloqueio. Armazene a máquina num local seguro fora do alcance das crianças. Quando armazenar a máquina, as pegas podem ser rodadas para a frente. Remova os pernos hexagonais curtos e os pernos de cabeça cilíndrica utilizando a chave de caixa incluída na embalagem. Rode as pegas para fora e, de seguida, rode as pegas para a frente. Aperte os pernos de cabeça cilíndrica e os pernos hexagonais curtos para fixar as pegas.

▶ Fig.51: 1. Perno de cabeça cilíndrica 2. Perno hexagonal curto

OBSERVAÇÃO: Não aperte os pernos hexagonais curtos com força excessiva. Aperte-os com força adequada, de modo que as pegas fiquem fixas de modo estável.

OBSERVAÇÃO: Não aperte os cabos com os pernos.

Ajustar o travão

⚠️ PRECAUÇÃO: Se as rodas traseiras estiverem instaladas, certifique-se de que bloqueia o travão da roda traseira antes de ajustar o travão.

1. Remova o transportador ou o balde e, de seguida, abra a estrutura do transportador.
▶ Fig.52: 1. Estrutura do transportador
2. Puxe a alavanca do travão para soltar o botão de bloqueio da alavanca do travão.
▶ Fig.53: 1. Botão de bloqueio 2. Alavanca do travão
3. Solte a manga de ajuste e a porca de fixação.
▶ Fig.54: 1. Manga de ajuste 2. Porca de fixação
4. Aperte apenas a porca de fixação.
▶ Fig.55: 1. Porca de fixação
5. Solte a manga de ajuste e a porca de fixação.
▶ Fig.56: 1. Manga de ajuste 2. Porca de fixação
6. Aperte apenas a porca de fixação.
▶ Fig.57: 1. Porca de fixação
7. Certifique-se de que a alavanca do travão está na posição a metade do curso quando é totalmente puxada. Se a alavanca do travão estiver na posição a metade do curso, avance para o passo 13. Se a alavanca do travão não estiver na posição a metade do curso, avance para o passo 8.
▶ Fig.58: 1. Alavanca do travão

8. Solte apenas a porca de fixação.
► **Fig.59:** 1. Porca de fixação
9. Aperte a porca de fixação e a manga de ajuste conjuntamente.
► **Fig.60:** 1. Manga de ajuste 2. Porca de fixação
10. Solte apenas a porca de fixação.
► **Fig.61:** 1. Porca de fixação
11. Aperte a porca de fixação e a manga de ajuste conjuntamente.
► **Fig.62:** 1. Manga de ajuste 2. Porca de fixação
12. Certifique-se de que a alavanca do travão está na posição a metade do curso quando é totalmente puxada.
► **Fig.63:** 1. Alavanca do travão
13. Dobre a estrutura do transportador e, de seguida, fixe o transportador ou o balde.
► **Fig.64:** 1. Estrutura do transportador

Reabastecimento do pneu com ar

Verifique se o ar no pneu para a roda dianteira não é insuficiente. Se o ar no pneu for insuficiente, reabasteça o pneu com ar utilizando uma bomba de enchimento. A pressão recomendada dos pneus é 230 kPa.
► **Fig.65**

ACESSÓRIOS OPCIONAIS

⚠PRECAUÇÃO: Estes acessórios ou peças são recomendados para utilização com a ferramenta Makita especificada neste manual. A utilização de outros acessórios ou peças pode ser perigosa para as pessoas. Utilize apenas acessórios ou peças para os fins indicados.

⚠PRECAUÇÃO: Utilize apenas o acessório ou ligação Makita para a máquina. A utilização de qualquer outro acessório ou ligação pode resultar em lesão física grave.

Se necessitar de informações adicionais relativas a estes acessórios, solicite-as ao seu centro de assistência Makita.

- Transportador
- Balde
- Rodas auxiliares
- Bateria e carregador genuínos da Makita

NOTA: Alguns itens da lista podem estar incluídos na embalagem da ferramenta como acessórios padrão. Eles podem variar de país para país.

SPECIFIKATIONER

Model:		DCU180
Mål (L x B x H)	Når transportbakke er monteret	Under brug: 1.315 mm x 1.060 mm x 900 mm Under opbevaring: 1.110 mm x 820 mm x 820 mm
	Når spand er monteret	Under brug: 1.310 mm x 820 mm x 900 mm Under opbevaring: 1.110 mm x 820 mm x 820 mm
Kørehastighed	Fremad	1,5 eller 3,5 km/h
	Baglæns	1,0 km/h
Mindste drejeradius		1.075 mm (ydre diameter, når der drejes med forhjulet som akse)
Maksimal klatrekapacitet		12°
Maksimal lastkapacitet		130 kg
Bremse	Forhjul	Skivebremse med wire
	Baghjul	Fast med pedal
Dæk	Forhjul	Slangefrit dæk
	Baghjul	Selvlappende dæk
Mærkespænding		DC 18 V
Nettovægt	Når transportbakke er monteret	45 kg
	Når spand er monteret	39 - 40 kg

- På grund af vores kontinuerlige forsknings- og udviklingsprogrammer kan hosstående specifikationer blive ændret uden varsel.
- Specifikationer og akku kan variere fra land til land.
- Vægten kan være anderledes afhængigt af tilbehøret, inklusive akkuen. Den letteste og tungeste kombination i henhold til EPTA-procedure 01/2014 er vist i tabellen.

Anvendelig akku og oplader

Akku	BL1815N / BL1820 / BL1820B / BL1830 / BL1830B / BL1840 / BL1840B / BL1850 / BL1850B / BL1860B
Oplader	DC18RC / DC18RD / DC18RE / DC18SD / DC18SE / DC18SF

- Nogle af de akkuer og opladere, der er angivet ovenfor, er muligvis ikke tilgængelige, afhængigt af hvilket område du bor i.

⚠ ADVARSEL: Brug kun de akkuer og opladere, der er angivet ovenfor. Brug af andre akkuer og opladere kan medføre personskade og/eller brand.

Symboler

Følgende viser de symboler, der anvendes til udstyret. Vær sikker på, at De forstår betydningen af symbolerne før brugen.



Læs brugsanvisningen.



Kun for lande inden for EU
Bortskaf ikke elektrisk udstyr eller akkuen sammen med almindeligt husholdningsaffald!
I overensstemmelse med EU-direktiverne vedrørende Affald af elektrisk og elektronisk udstyr samt Batterier og akkumulatorer og deres anvendelse i overensstemmelse med nationale love skal elektrisk udstyr og batterier og batteripakker, der har nået slutningen af deres levetid, indsamles separat og returneres til en miljøvenlig genbrugsstation.



Træk armen helt ned, og kontroller, at transportbakken eller spanden er låst fast.



Skift ikke retning på stejle skrænter.



Læs og aflæs genstande på flad grund.



Fordel genstande jævnt i transportbakken eller spanden.



Denne maskine må ikke benyttes på offentlig vej.



Brug ikke til at transportere personer.



Udsæt ikke for regn.



For at annullere biplyden skal du slippe afbryderknappen og trække bremsearmen.



Undlad at se ind i strålen.

Tilsigtet anvendelse

Denne maskine er beregnet til at læsse og transportere genstande med batteridrevet hjælp.

Lyd

Det typiske A-vægtede støjniveau bestemt i overensstemmelse med EN62841:
Lyddryksniveau ($L_{p(A)}$): 70 dB (A) eller derunder
Usikkerhed (K): 3 dB (A)

Støjniveauet under arbejdet kan overskride 80 dB (A).

BEMÆRK: De(n) angivne støjemissionsværdi(er) er målt i overensstemmelse med en standardtestmetode og kan anvendes til at sammenligne en maskine med en anden.

BEMÆRK: De(n) angivne støjemissionsværdi(er) kan også anvendes i en præliminær eksponeringsvurdering.

⚠ ADVARSEL: Bær høreværn.

⚠ ADVARSEL: Støjemissionen under den faktiske anvendelse af maskinen kan være forskellig fra de(n) angivne værdi(er), afhængigt af den måde hvorpå maskinen anvendes, især den type arbejdsemne der behandles.

⚠ ADVARSEL: Sørg for at identificere de sikkerhedsforskrifter til beskyttelse af operatøren, som er baseret på en vurdering af eksponering under de faktiske brugsforhold (med hensyntagen til alle dele i brugscyklussen, f.eks. de gange, hvor maskinen er slukket, og når den kører i tomgang i tilgift til afbrydertiden).

Vibration

Vibrationens totalværdi (tre-aksial vektorsum) bestemt i overensstemmelse med EN62841:
Arbejdstilstand: brug uden belastning
Vibrationsemission (a_v): 2,5 m/s² eller mindre
Usikkerhed (K): 1,5 m/s²

BEMÆRK: De(n) angivne totalværdi(er) for vibration er målt i overensstemmelse med en standardtestmetode og kan anvendes til at sammenligne en maskine med en anden.

BEMÆRK: De(n) angivne totalværdi(er) for vibration kan også anvendes i en præliminær eksponeringsvurdering.

⚠ ADVARSEL: Vibrationsemissionen under den faktiske anvendelse af maskinen kan være forskellig fra de(n) angivne værdi(er), afhængigt af den måde hvorpå maskinen anvendes, især den type arbejdsemne der behandles.

⚠ ADVARSEL: Sørg for at identificere de sikkerhedsforskrifter til beskyttelse af operatøren, som er baseret på en vurdering af eksponering under de faktiske brugsforhold (med hensyntagen til alle dele i brugscyklussen, f.eks. de gange, hvor maskinen er slukket, og når den kører i tomgang i tilgift til afbrydertiden).

EU-overensstemmelseserklæring

Kun for lande i Europa

EU-overensstemmelseserklæringen er inkluderet som Bilag A i denne brugsanvisning.

SIKKERHEDSADVARSLER

Almindelige sikkerhedsregler for el-værktøj

⚠ ADVARSEL: Læs alle de sikkerhedsadvarsler, instruktioner, illustrationer og specifikationer, der følger med denne maskine. Forsømmelse af at overholde alle nedenstående instruktioner kan medføre elektrisk stød, brand og/eller alvorlig personskade.

Gem alle advarsler og instruktioner til fremtidig reference.

Ordet "el-værktøj" i advarslerne henviser til det netforsyede (netledning) el-værktøj eller batteriforsyede (akku) el-værktøj.

Sikkerhedsadvarsler for batteridrevet trillebør

1. **Bær altid skridsikkert og beskyttende fodtøj ved brug af maskinen.** Skridsikre lukkede sikkerhedsstøvler og -sko mindsker risikoen for personskade.
2. **Inspicer transportvejen før transport af genstande/materialer.** Hvis du gør dig selv bekendt med transportvejen og sikrer dig, at den er bred nok til at navigere maskinen sikkert under belastning, hjælper det med til at reducere risikoen for at miste kontrollen med maskinen.
3. **Udvis den største forsigtighed på glat, løst og ustabil terræn.** Våde og glatte overflader, for eksempel våde græsplæner, sne eller is, samt løst og ustabil terræn, for eksempel sand- eller grusoverflader, kan medføre, at maskinen mister vejgrebet, og kan forringe styring, bremsning og stabilitet.

4. **Brug ikke maskinen på meget stejle skrænter.** Dette mindsker risikoen for, at du mister kontrollen, glider og falder, hvilket kan medføre personskade. Skrænter, der er stejlere end den maksimale anbefalede hældning, og sidehældninger kan forøge risikoen for ustabilitet og kan forringe muligheden for at stoppe på sikker vis.
 5. **Ved arbejde på skrænter skal du altid være sikker på dit fodfæste, altid arbejde på tværs af retningen af skrænten, aldrig op eller ned, og udvise den største agtpågivenhed, når du skifter retning.** Dette mindsker risikoen for, at du mister kontrollen, glider og falder, hvilket kan medføre personskade.
 6. **Når det er muligt, skal du bruge jævne områder til at stoppe, læsse og aflæsse og aldrig lade maskinen stå uovervåget på en skrænt.** Maskinen er mere ustabil, når den står på en skrænt, end når den står på en jævn overflade.
 7. **Når du stopper på skrænter, skal du vende maskinen op ad bakke eller ned ad bakke og blokere ikke-bremsede hjul.** Maskinen er mindre stabil, når den står på tværs af en skrænt. Ikke-bremsede hjul, især castorhjul, kan dreje og rulle ned ad bakke, også selvom parkeringsbremsen er aktiveret på forhjulet.
 8. **Når maskinen efterlades uden opsyn, skal du aktivere parkeringsbremsen, når maskinen står på et sted, hvor det er sikkert at stoppe.** Parkeringsbremsen forhindrer uønsket bevægelse af forhjulet og kan forbedre stabiliteten.
 9. **Sørg for, at ramper er rene, stærke og sikre.** For at reducere risikoen for personskade skal alle ramper være fri for løse rester og stærke nok til at modstå vægten af de forventede læs, der skal flyttes hen over dem. De skal have passende understøtning nedenunder og til begge sider for at eliminere nedbøjning og sidelæns bevægelse under belastning. Alle ramper skal være brede nok til at give sikkert fodfæste, når læs transporteres over dem.
 10. **Sørg for, at tragten er nede, og at tragte og læsseporte er forsvarligt fastgjort, når du ikke aflæsser læsset, og når maskinen opbevares.** Ikke-fastgjorte tragte eller læsseporte kan åbnes eller flytte sig uventet.
 11. **Undgå udvidelsesramper uden fodlister eller rækværk over åbne områder.** Hævede åbne områder og åbne grøfter skaber risiko for fald ved et uheld og øger risikoen for alvorlig personskade. Brug fodlister eller rækværk på ramper over åbne områder for at undgå, at maskinen kører af rampen.
 12. **Sørg for, at alle låseskruer er strammet forsvarligt før brug.** Låseskruer på baghjulene samt den åbne transportbakkes for- og sidevægge skal være fastgjort for at forhindre, at disse justerbare dele af maskinen bevæger sig uønsket.
 13. **Brug aldrig maskinen i overlæst tilstand.** Sørg for, at maskinen har den rigtige nominelle kapacitet til de genstande eller materialer, der skal transporteres. For store læs kan gøre det vanskeligere at manøvrere og stoppe maskinen, forøger stoptiden og -afstanden og øger risikoen for ustabilitet.
 14. **Brug aldrig maskinen med for højt læs.** Stabling af materiale over kanten eller siderne af bakken kan bringe maskinen ukontrollabelt ud af balance og kontrol.
 15. **Brug beholdere og bæltet til at fastgøre læs.** Løse og/eller usikre læs har større sandsynlighed for at flytte sig, hvilket kan medføre tab af stabilitet og kontrol.
 16. **Oprethold altid et fast greb på håndtagene.** Tab af kontrollen kan øge risikoen for personskade.
 17. **Fjern sikkerhedsnøglen, når den ikke er i brug.** Sikkerhedsnøglen forhindrer uønsket brug af maskinen under motorkraft, for eksempel af børn eller andre ikke-oplærte eller uautoriserede personer. Uden nøglen kan den elektriske strøm ikke slås "til".
 18. **Denne maskine må ikke benyttes på offentlige veje.** Brug af trillebøren på offentlig vej er ulovligt og kan medføre bøder fra de lokale myndigheder, ud over at det kan medføre personskade.
 19. **Brug en solid, skridsikker plade med funktion til forhindring af afmontering ved læsning og/eller aflæsning af denne maskine til transport, eller når maskinen flyttes mellem forskellige højder.** Sørg for, at pladens hældning ikke overskrider 12°, og betjen maskinen langsomt og forsigtigt. Ustabil og hurtig betjening kan medføre, at den vælter og/eller falder.
 20. **Undlad at adskille, reparere eller ændre denne maskine.**
- Brug**
1. **Ved brug af maskinen skal du stå bag ved maskinen og holde fast i håndtagene.**
 2. **Brug ikke maskinen, mens du kører på maskinen.**
 3. **Lad ikke andre køre på maskinen.**
 4. **Når du bruger maskinen i bakgear og går baglæns, skal du se bag dig og være forsigtig med ikke at glide eller falde.**
 5. **Brug ikke maskinen ved dårlig sigtbarhed, da der er risiko for at ramme forhindringer.**
 6. **Brug af maskinen på ujævn grund skal du reducere hastigheden og udvise forsigtighed.**
 7. **Ved brug af maskinen skal du undgå blød grund for at forhindre, at den vælter, fordi vejsiden skrider.**
 8. **Brug ikke maskinen på opadgående skrænter, der er stejlere end 12°.**
 9. **Stop maskinen på flad grund, hvis du opdager noget unormalt. Før inspektion af maskinen skal du trække bremsearmen og låse bremsen og derefter slukke for strømmen.**
 10. **Før du bruger maskinen, skal du sikre dig, at låsearmen er trukket helt ned og fastgjort helt.** Hvis låsen ikke er komplet, er der risiko for uheld eller personskade, da transportbakken eller spanden kan vippe, og genstandene falde ud, når du kører ned ad bakke.
 11. **Vær påpasselig med ikke at vikle ledningerne ind i læsset eller forhindringer.**
- Brug på skrænter**
1. **Kør ikke på tværs af skrænter.**
 2. **Sørg for at sænke hastigheden og udvise forsigtighed.**

3. Udvis forsigtighed, når maskinen startes eller stoppes på skrænter.
4. Da læs bliver mindre stabile på skrænter, skal du fastgøre læsset med reb.
5. Da maskinen kan blive ustabil afhængigt af vejforholdene, skal du holde læsset på et minimum.
6. Da udsigten er blokeret på skrænter, skal du holde højden af læsset på et minimum.
7. Parker aldrig maskinen på stejle skrænter. Parker maskinen på flad grund, træk bremsearmen, og lås bremsen, og sluk derefter for strømmen.
8. Skift ikke retning eller hastighedstilstand på stejle skrænter.
9. Frigør ikke afbryderknappen på opadgående skrænter. Maskinen kan rulle baglæns og forårsage en ulykke.
10. Sørg for, at den resterende batteriladning er tilstrækkelig, før brug på skrænter. Hvis den resterende batteriladning er for lav, skal du oplade batteriet eller udskifte det med et, der er opladet.

Læsning af genstande

1. Undlad at overlæsse genstande. Ved læsning af genstande skal du sørge for at følge instruktionerne og belastningsgrænserne i brugsanvisningen.
2. Fastgør genstandene solidt med reb.
3. Læs genstandene i transportbakken eller spanden. Hvis genstandene stikker ud fra transportbakken eller spanden, er der risiko for ulykker, hvis genstande falder ud eller rammer hindringer som f.eks. vægge.
4. Sørg for, at de læsede genstande er under øjenhøjde. Hvis læsset er for højt, er det farligt, fordi udsynet er blokeret. Desuden er der risiko for at vælte samt for personskade, fordi læsset risikerer at komme ud af balance.
5. Fordel genstandene jævnt i transportbakken eller spanden. Hvis genstandene er ujævnt fordelt, er der risiko for at vælte samt for personskade, fordi læsset risikerer at komme ud af balance.
6. Før læsning af genstandene eller brug af maskinen skal du sikre dig, at låsearmen er trukket helt ned og fastgjort helt.
7. Sørg for at læsse tunge genstande først for at opretholde balancen.
8. Træk ikke for- og sideskinnerne ud på stejle skrænter. Træk sideskinnerne ud ved læsning af lette genstande.
9. Når for- og sideskinnerne trækkes ud, må du ikke trække dem ud over udvidelsesgrænsen. Sørg for at trække sideskinnerne ud, så højre og venstre side har samme længde, og læs genstandene jævnt.
10. Læs og aflæs genstande på flad grund.
11. Når transportbakken eller spanden løftes og vippes, skal du holde fast i håndtagene og rammen og arbejde i en stabil arbejdsstilling.

Vedligeholdelse

1. Sørg altid for at parkere maskinen på flad grund og låse bremsearmen før opbevaring eller forsøg på at udføre inspektioner eller vedligeholdelse.

GEM DENNE BRUGSANVISNING.

⚠ ADVARSEL: LAD IKKE bekvemmelighed eller kendskab til produktet (opnået gennem gentagen brug) forhindre, at sikkerhedsforskrifterne for produktet nøje overholdes. MISBRUG eller forsømmelse af at følge de i denne brugsvejledning givne sikkerhedsforskrifter kan føre til, at De kommer alvorligt til skade.

Vigtige sikkerhedsinstruktioner for akkuen

1. Læs alle instruktioner og advarselmærkater på (1) akku-opladeren, (2) akkuen og (3) produktet, som anvender akku.
2. Lad være med at skille akkuen ad.
3. Hold straks op med anvendelsen, hvis brugstiden er blevet stærkt afkortet. Fortsat anvendelse kan resultere i risiko for overophedning, forbrændinger og endog eksplosion.
4. Hvis De har fået elektrolytvæske i øjnene, skal De straks skylle den ud med rent vand og derefter øjeblikkeligt søge lægehjælp. I modsat fald kan De miste synet.
5. Vær påpasselig med ikke at komme til at kortslutte akkuen:
 - (1) Rør ikke ved terminalerne med noget ledende materiale.
 - (2) Undgå at opbevare akkuen i en beholder sammen med andre genstande af metal, for eksempel søm, mønter og lignende.
 - (3) Udsæt ikke akkuen for vand eller regn. Kortslutning af akkuen kan forårsage en kraftig øgning af strømmen, overophedning, mulige forbrændinger og endog værktøjstop.
6. Opbevar ikke værktøjet og akkuen på et sted, hvor temperaturen kan nå eller overstige 50 °C.
7. Lad være med at brænde akkuen, selv ikke i tilfælde, hvor den har lidt alvorlig skade eller er fuldstændig udtjent. Akkuen kan eksplodere, hvis man forsøger at brænde den.
8. Lad være med at brænde akkuen eller udsætte den for stød.
9. Anvend ikke en beskadiget akku.
10. De indbyggede litium-ion-batterier er underlagt lovkrav vedrørende farligt gods. Ved kommerciel transport, f.eks. af tredjeparts transportselskaber, skal særlige krav til forpakning og mærkning overholdes. Ved forberedelse af udstyret til forsendelse skal du kontakte en ekspert i farligt gods. Overhold også eventuel mere detaljeret national lovgivning. Tape eller tildæk åbne kontakter, og pak batteriet på en måde, så det ikke kan flytte sig rundt i pakningen.

- Følg de lokale love vedrørende bortskaffelsen af batterier.
- Brug kun batterierne med de produkter, som Makita specificerer. Hvis batterierne installeres i ikke-kompatible produkter, kan det medføre brand, kraftig varme, eksplosion eller udsivning af elektrolyt.

GEM DENNE BRUGSANVISNING.

⚠FORSIGTIG: Brug kun originale batterier fra Makita. Brug af uoriginale Makita-batterier, eller batterier som er blevet ændret, kan muligvis medføre brud på batteriet, hvilket kan forårsage brand, personskade eller beskadigelse. Det ugyldiggør også Makita-garantien for Makita-maskinen og opladeren.

Tips til opnåelse af maksimal akku-levetid

- Oplad akkuen, inden den er helt afladet. Stop altid værktøjet, og oplad akkuen, hvis De bemærker, at værktøjeffekten er aftagende.
- Genoplad aldrig en fuldt opladet akku. Overopladning vil afkorte akkuens levetid.
- Oplad akkuen ved stuetemperatur ved 10 °C - 40 °C. Lad altid en varm akku få tid til at køle af, inden den oplades.
- Oplad akkuen, hvis De ikke skal bruge den i længere tid (mere end seks måneder).

BESKRIVELSE AF DELENE

Beskrivelse af dele (når transportbakken er monteret)

► Fig.1

1	Kontrolpanel	2	Håndtag
3	Afbryderknap	4	Batterirum
5	Bremsearm til forhjul	6	Baghjul
7	Bremsepedal til baghjul	8	Lampe
9	Forhjul	10	Transportbakke

Beskrivelse af dele (når spanden er monteret)

► Fig.2

1	Kontrolpanel	2	Håndtag
3	Afbryderknap	4	Batterirum
5	Bremsearm til forhjul	6	Baghjul
7	Bremsepedal til baghjul	8	Lampe
9	Forhjul	10	Spand

SAMLING

⚠FORSIGTIG: Sørg altid for, at maskinen er slukket, og at akkuen er taget ud, før du udfører nogen form for arbejde på maskinen.

Samling af hovedenhed

- Tag basisenheden og håndtagene ud af æsken.
► Fig.3

BEMÆRKNING: Sørg for at tage basisenheden og håndtagene ud sammen, så der ikke anvendes overdreven kraft på ledningerne.

- Placer indpakningsmaterialet under basisenhedens bagende.
► Fig.4: 1. Indpakningsmateriale

- Sæt baghjulene i rammen.

► Fig.5: 1. Baghjul

► Fig.6: 1. Baghjul

BEMÆRK: Støttebenene kan monteres i stedet for baghjulene.

- Monter fjederskiven og spændeskiven på den korte sekskantbolt, og tilspænd dem derefter med skruenøglen, der medfølger i pakken.

► Fig.7: 1. Kort sekskantbolt
2. Fjederskive
3. Spændeskive

► Fig.8

BEMÆRKNING: Sørg for at anvende de korte sekskantbolte til at tilspænde baghjulene.

BEMÆRKNING: Fastgør baghjulene i samme position på begge sider.

- Løft håndtagene, og indsæt dem derefter i basisenheden.
► Fig.9

BEMÆRKNING: Lad ikke ledningerne komme ind i området "A" på figuren. Lange genstande kan blive viklet ind i ledningerne og forårsage ulykker.

BEMÆRKNING: Anvend ikke overdreven magt på ledningerne, når håndtagene løftes og indsættes.

BEMÆRKNING: Sørg for at løfte håndtagene med begge hænder.

- Åbn transportrammen foran.

► Fig.10: 1. Transportramme

- Fold håndtagene ud, og indsæt de lange sekskantbolte i basisenheden, og tilspænd derefter møtrikkerne med skruenøglen, der medfølger i pakken.

► Fig.11: 1. Lang sekskantbolt

- Tilspænd skulderboltene bagfra ved hjælp af skruenøglen, der medfølger i pakken.

► Fig.12: 1. Skulderbolt

- Tilspænd de korte sekskantbolte fra begge sider ved hjælp af skruenøglen, der medfølger i pakken, for at fastgøre håndtagene.

► Fig.13: 1. Kort sekskantbolt

BEMÆRKNING: Brug ikke overdreven magt for at tilspænde de korte sekskantbolte. Tilspænd dem med passende kraft, så håndtagene er fastgjort stabilt.

BEMÆRKNING: Undlad at klemme ledningerne med boltene.

10. Fastgør ledningerne med klemmerne.

► Fig.14: 1. Klemme

11. Fold transportrammen sammen.

► Fig.15: 1. Transportramme

12. Tryk på låseknappen, idet der trækkes i bremsearmen, for at låse bremsen.

► Fig.16: 1. Låseknap 2. Bremsearm

⚠FORSIGTIG: Hvis baghjulene er monteret, skal du trykke på bremsepedalen til baghjulet for at låse baghjulet.

13. Monter krogen på låsen til transportbakken, og træk derefter låsearmen ned for at låse transportbakken fast.

► Fig.17: 1. Lås på transportbakke 2. Låsearm

BEMÆRKNING: Sørg for, at låsearmen er strammet forsvarligt.

BEMÆRKNING: Undlad at klemme ledningerne med låsearmen.

BEMÆRK: Hvis du monterer støttebenene i stedet for baghjulene, skal du fjerne baghjulene fra rammerne og derefter montere støttebenene på rammerne.

► Fig.18: 1. Baghjul 2. Støtteben

Samling og montering af transportbakken

Ekstraudstyr

1. Tag transportbakken ud af æsken, monter sideskinnerne på basisrammen, og tilspænd derefter fingermøtrikkerne for at fastgøre skinnerne.

► Fig.19: 1. Fingermøtrik

2. Sæt transportbakken på basisenheden, og indsæt derefter sekskantboltene og spændeskiverne i rammerne oppefra. Stram spændeskiverne og fjederskiverne samt vingemøtrikkerne nedefra for at fastgøre transportbakken.

► Fig.20: 1. Lang sekskantbolt 2. Kort sekskantbolt 3. Spændeskive 4. Fjederskive 5. Vingemøtrik

BEMÆRKNING: Brug de lange bolte til forenden og de korte bolte til bagenden.

Montering af spanden

Ekstraudstyr

Placer spanden på basisenheden, indsæt sekskantboltene i rammerne, og tilspænd derefter spændeskiverne og fjederskiverne samt vingemøtrikkerne fra bunden for at fastgøre spanden.

► Fig.21: 1. Sekskantbolt 2. Spændeskive 3. Fjederskive 4. Vingemøtrik

FUNKTIONSBESKRIVELSE

Isætning eller fjernelse af akkuen

⚠FORSIGTIG: Sluk altid før maskinen, før du monterer eller fjerner akkuen.

⚠FORSIGTIG: Sørg for, at akku-dækslet er låst inden brugen. Ellers kan mudder, snavs eller vand øve skade på produktet eller akkuen.

⚠FORSIGTIG: Sæt altid akkuen helt ind, indtil den røde indikator ikke er synlig. Ellers kan den falde ud af maskinen ved et uheld og forårsage personskade på dig eller personer i nærheden.

⚠FORSIGTIG: Installer ikke akkuen med magt. Hvis akkuen ikke glider nemt ind, betyder det, at den ikke sættes korrekt ind.

⚠FORSIGTIG: Anvend ikke akkuen, hvis den er overophedet. Hvis akkuen anvendes, når den er overophedet, stopper maskinen automatisk, før der udsendes en kort biplyd, hvilket kan medføre en personskade.

Montering af akkuen

1. Drej låsearmen, og åbn derefter dækslet til batterirummet.

► Fig.22: 1. Låsearm 2. Dæksel

2. Juster tungen på akkuen med rillen i batterirummet, og skub derefter akkuen, indtil den låses på plads med et lille klik. Hvis du kan se den røde indikator øverst på knappen, er akkuen ikke låst helt fast.

► Fig.23: 1. Akku

3. Sæt låsenøglen så langt ind, som den kan komme, på det sted, der vises på illustrationen.

► Fig.24: 1. Låsenøgle

BEMÆRK: Hvis låsenøglen ikke er sat helt i, fungerer maskinen ikke.

4. Luk dækslet til batterirummet, og drej derefter låsearmen.

► Fig.25: 1. Låsearm 2. Dæksel

Fjernelse af akkuen

1. Drej låsearmen, og åbn derefter dækslet til batterirummet.

2. Træk akkuen ud af batterirummet, idet der skubbes på knappen foran på akkuen.

► Fig.26: 1. Knap

3. Træk låsenøglen ud.

4. Luk dækslet til batterirummet, og drej derefter låsearmen.

Beskyttelsessystem til maskinen/ batteriet

Maskinen er udstyret med et beskyttelsessystem til maskinen/batteriet. Dette system afbryder automatisk strømmen til motoren for at forlænge maskinens og batteriets levetid.

Maskinen stopper automatisk under brugen, hvis maskinen eller akkuen udsættes for et af følgende forhold. Der udsendes en kort biplyd, før maskinen stopper automatisk. Akku-indikatorerne og LED-indikatorerne blinker, når biplyden udsendes.

Overbelastningsbeskyttelse

Hvis maskinen bruges på en måde, der får den til at trække en unormalt høj strøm, stopper maskinen automatisk uden indikation. I denne situation skal du slukke for maskinen og fjerne årsagen til overbelastningen og derefter tænde for maskinen for at genstarte den.

Beskyttelse mod overophedning

Hvis maskinen bliver overophedet, stopper maskinen automatisk. Lad maskinen køle ned, før der tændes for maskinen igen. Beskyttelsen mod overophedning vil sandsynligvis aktiveres i et miljø med høj temperatur.

Beskyttelse mod afladning

Hvis batteriladningen bliver lav, stopper maskinen automatisk. Hvis maskinen ikke fungerer, selvom kontakterne betjenes, skal du tage akkuen ud og oplade den.

Skift af akku

► **Fig.27:** 1. Kontakt til valg af batteri

Der kan indsættes op til to akkuer i batterirummet, selvom maskinen kun benytter én akku under drift. Før maskinen betjenes, skal du vælge den akku, der skal benyttes til drift, ved at trykke på nummeret på kontakten til valg af batteri.






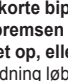
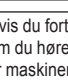
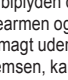
BEMÆRKNING: Hvis der kun er indsat én akku i batterirummet, skal du sørge for at vælge det batterirum, hvor akkuen er indsat.

Indikation af den resterende batteriladning på batterirummet

⚠FORSIGTIG: Før du kontrollerer de resterende batteriladninger eller skifter akku, skal du sørge for at stoppe maskinen.

► **Fig.28:** 1. Batteriindikator 2. Kontrollknap

Tryk på kontrollknappen for at få vist de resterende batteriladning. Batteriindikatorerne svarer til hvert enkelt batteri.

Akku-indikatorstatus		Resterende batteriladning
Tændt	Slukket	
		50 % - 100 %
		20 % - 50 %
		0 % - 20 %
		Batteri ikke indsat

⚠FORSIGTIG: Når batteriladningen bliver lav, udsendes der en kort biplyd. Hvis du fortsætter med at bruge maskinen ved lav batteriladning, udsendes der en lang biplyd, og maskinen stopper automatisk. Når du hører den korte biplyd, skal du trække bremsearmen og låse bremsen og derefter udskifte akkuen med en, der er ladet op, eller oplade akkuen. Hvis den resterende batteriladning løber ud, stopper maskinen pludselig automatisk, hvilket kan medføre en personskade.

BEMÆRK: Hvis du fortsætter med at trykke på afbryderknappen, selvom du hører den korte biplyd, stopper maskinen automatisk. Når maskinen er stoppet automatisk, fortsætter biplyden, og støttebremsen (elektrisk bremse) aktiveres. Hvis du vil annullere biplyden og frigøre støttebremsen, skal du trække i bremsearmen og frigøre afbryderknappen. Skub ikke maskinen med magt uden at frigøre støttebremsen. Når du har frigjort støttebremsen, kan du se, hvilket batteribeskyttelsessystem der fungerer, ved at tjekke akku-indikatorens status.

► **Fig.29:** 1. Lyser 2. Blinker 3. Slukket 4. Beskyttelse mod overophedning 5. Beskyttelse mod for kraftig afladning 6. Beskyttelse mod overbelastning

⚠FORSIGTIG: Hvis biplyden udsendes, mens du kører på en skrænt, eller maskinen stopper automatisk på en skrænt, skal du flytte maskinen til et sikkert sted, låse bremsen og derefter udskifte akkuen med en, der er ladet op, eller oplade akkuen.

Hvis belastningen er stor, og biplyden udsendes, mens der arbejdes på en skrænt, eller maskinen stopper automatisk på en skrænt, må du ikke flytte maskinen med magt. Lås bremsen, vær opmærksom på sikkerheden, og udskift akkuen med en, der er ladet op, og flyt derefter maskinen til et sikkert sted. Reducer belastningen, før du bruger maskinen igen.

BEMÆRK: Du kan kontrollere den resterende batteriladning, selvom låsenøglen ikke er indsat.

Indikation af den resterende batteriladning

Kun til akkuer med indikatoren

► **Fig.30:** 1. Indikatorlamper 2. Kontrolknap

Tryk på kontrolknappen på akkuen for at få vist den resterende batteriladning. Indikatorlampen lyser i nogle sekunder.

Indikatorlamper			Resterende ladning
Tændt	Slukket	Blinker	
■	□	▬	
■ ■ ■ ■			75% til 100%
■ ■ ■ □			50% til 75%
■ ■ □ □			25% til 50%
■ □ □ □			0% til 25%
▬ □ □ □			Genoplad batteriet.
■ ■ □ □			Der er muligvis fejl i batteriet.
□ □ ■ ■			

BEMÆRK: Afhængigt af brugsforholdene og den omgivende temperatur kan indikationen afvige en smule fra den faktiske ladning.

Kontrolpanel

► **Fig.31:** 1. Tænd/sluk-knap 2. Fremad-/tilbageknap 3. Hastighedsknap

Tryk på tænd/sluk-knappen i nogle sekunder for at tænde for strømmen. Tryk på fremad-/tilbageknappen for at skifte mellem fremadgående tilstand og baktilstand. Tryk på hastighedsknappen for at skifte mellem lav hastighed og høj hastighed. Når der tændes for knappen, indstilles fremadgående tilstand og lav hastighed. Tryk på tænd/sluk-knappen i nogle sekunder for at slukke for strømmen.

BEMÆRK: Fremad-/tilbageknappen er ikke tilgængelig, mens der trykkes på afbryderknappen.

BEMÆRK: Der udsendes en kort biplyd, når maskinen bruges i baktilstand.

BEMÆRK: Hastighedsknappen er ikke tilgængelig, når maskinen bruges i baktilstand.

Skifte- og bremsehandling

⚠ ADVARSEL: Før akkuen sættes i maskinen, skal du altid kontrollere, at afbryderknappen fungerer korrekt og vender tilbage til "FRA"-stillingen, når du slipper den.

Tryk på afbryderknappen for at starte maskinen. For at stoppe maskinen skal du slippe afbryderknappen og trække bremsearmen. For at låse bremsearmen skal du trykke på låseknapen, mens du trækker i bremsearmen. Træk bremsearmen for at frigøre låsen.

► **Fig.32:** 1. Afbryderknap

► **Fig.33:** 1. Låseknap 2. Bremsearm

Baghjulsbremse

Baghjule er udstyret med bremses. Tryk bremsepedalerne fremad for at låse bremserne. For at frigøre bremserne skal du trykke bremsepedalerne bagud.

► **Fig.34:** 1. Pedal

Tænding af forlamperne

Tryk på lampeknappen på batterirummet for at tænde lamperne. Tryk på lampeknappen igen for at slukke lamperne.

► **Fig.35:** 1. Lampeknop 2. Lampe

BEMÆRK: Lamperne slukkes, hvis maskinen efterlades uden opsyn i cirka 10 minutter.

BEMÆRK: Lamperne slukkes, når der slukkes for strømmen.

BEMÆRK: Du kan tænde for lamperne, selvom låsenøglen ikke er indsat.

Indstilling af håndtagets højde

Fjern de korte sekskantbolte og skulderboltene ved hjælp af skruenøglen, der medfølger i pakken, og juster derefter højden af håndtaget. Højden kan indstilles til tre niveauer. Tilspænd skulderboltene og de korte sekskantbolte for at fastgøre håndtaget.

► **Fig.36:** 1. Kort sekskantbolt 2. Skulderbolt

BEMÆRKNING: Fastgør venstre og højre håndtag i samme højde.

BEMÆRKNING: Brug ikke overdreven magt for at tilspænde de korte sekskantbolte. Tilspænd dem med passende kraft, så håndtagene er fastgjort stabilt.

BEMÆRKNING: Undlad at klemme ledningerne med boltene.

Justering af transportbakkens bredde

Løsn de 4 fingermøtrikker, og skub derefter sideskinne. Tilspænd fingermøtrikkerne for at fastgøre sideskinne.

► **Fig.37:** 1. Fingermøtrik 2. Skinne

⚠ FORSIGTIG: Undlad at skubbe skinnerne ud over grænsemærket.

► **Fig.38**

ANVENDELSE

Betjening af maskinen

BEMÆRKNING: Forhjulet drives af batterikraft i denne maskine. Brug maskinen til at hjælpe med bæreoPGAVER.

BEMÆRKNING: Sørg for at sætte låsenøglen i batterirummet før brugen. Hvis låsenøglen ikke er indsat, lyder der en kort biplyd, når du trykker på afbryderknappen. Biplyden stoppes ved at slippe afbryderknappen og trække bremsearmen.

Kontroller, at bremsearmen fungerer korrekt, før maskinen betjenes.

► **Fig.39:** 1. Bremsearm

⚠ ADVARSEL: Hvis bremsearmen når håndtaget, når du trækker armen helt, fungerer bremsen ikke korrekt. Juster bremsen, eller kontakt det lokale Makita servicecenter for reparation.

1. Vælg akkuen med kontakten til valg af batteri.
2. Tryk på tænd/sluk-knappen på kontrolpanelet i nogle sekunder for at tænde for strømmen.

► **Fig.40:** 1. Tænd/sluk-knap

3. Træk bremsearmen for at frigøre låsningen af bremsearmen.

► **Fig.41:** 1. Låseknap 2. Bremsearm

BEMÆRK: Frigør baghjulsbremsen, hvis baghjulene er monteret.

4. Hold fast i håndtagene med begge hænder.

► **Fig.42**

5. Tryk på afbryderknappen.

► **Fig.43:** 1. Afbryderknap

Læsning af genstande

⚠ FORSIGTIG: Før læsning af genstande på maskinen skal du sikre dig, at der er slukket for strømmen, og at bremsearmen er låst.

⚠ FORSIGTIG: Hvis baghjulene er monteret, skal du kontrollere, at baghjulsbremsen er låst, før du læsser genstande på maskinen.

⚠ FORSIGTIG: Før der læsset genstande på maskinen, skal du sikre dig, at transportbakken eller spanden er låst fast.

⚠ FORSIGTIG: Sørg for at læsse genstandene inden for transportbakken eller spanden. Hvis genstande stikker ud over transportbakken eller spanden, kan de falde af eller bryde sammen, hvis de rammer forhindringer.

► **Fig.44**

⚠ FORSIGTIG: Sørg for at læsse genstande, så de er under øjenhøjde. Hvis læsset er for højt, er det farligt, fordi udsynet er blokeret. Desuden er der risiko for at vælte samt for personskade, fordi læsset risikerer at komme ud af balance.

► **Fig.45**

Når genstande læsset på transportbakken, skal genstandene fastgøres med reb og holdes nede med rebkroge.

► **Fig.46**

Aflæsning af genstande

⚠ FORSIGTIG: Løft transportbakken eller spanden på flad og stabil grund. Betjening på ustabil grund kan medføre en ulykke eller personskade.

Du kan aflæsse genstandene ved at løfte og vippe transportbakken eller spanden.

1. Stop maskinen, og lås derefter bremserne.

BEMÆRKNING: Det anbefales at blokere forhjulet for at stabilisere maskinen.

2. Slip låsearmen.

3. Stå ved siden af maskinen, hold håndtaget med den ene hånd, og løft og vip derefter transportbakken eller spanden ved at vippe transportrammen op med den anden hånd.

► **Fig.47**

⚠ FORSIGTIG: Hold godt fast i håndtaget og transportrammen, og arbejd i en stabil arbejdsstilling.

⚠ FORSIGTIG: Hold læsset til et minimum. Hvis læsset er for stort, må du ikke prøve at løfte transportbakken. Reducer læsset, og løft derefter transportbakken.

⚠ FORSIGTIG: Når du har aflæsset genstandene, skal du sørge for at låse transportbakken eller spanden.

VEDLIGEHOLDELSE

⚠ FORSIGTIG: Sørg altid for at parkere maskinen på flad grund og låse bremsearmen før opbevaring eller forsøg på at udføre inspektioner eller vedligeholdelse.

⚠ FORSIGTIG: Hvis baghjulene er monteret, skal du kontrollere, at baghjulsbremsen er låst, før opbevaring, inspektion eller vedligeholdelse.

⚠ FORSIGTIG: Sørg altid for, at låsenøglen og akkuen er taget ud af maskinen, før opbevaring, inspektion eller vedligeholdelse.

⚠ FORSIGTIG: Fjern altid låsenøglen, når maskinen ikke er i brug. Opbevar låsenøglen på et sikkert sted, der er utilgængeligt for børn.

Periodisk kontrol

• Kontroller, at boltene og møtrikkerne er fast tilspændt.

► **Fig.48**

• Kontroller, at transportbakken er låst fast, når låsearmen er trukket helt ned.

► **Fig.49:** 1. Lås på transportbakke 2. Låsearm

• Kontroller, at bremsearmen fungerer korrekt.

► **Fig.50:** 1. Bremsearm

⚠ ADVARSEL: Hvis bremsearmen når håndtaget, når du trækker armen helt, fungerer bremsen ikke korrekt. Juster bremsen, eller kontakt det lokale Makita servicecenter for reparation.

- Se efter, at forhjulet ikke er beskadiget eller fladt. Kontroller, at der er tilstrækkelig luft i dækket på forhjulet.

Rengøring af maskinen

BEMÆRKNING: Anvend aldrig benzin, rensebenzin, fortynder, alkohol og lignende. Det kan medføre misfarvning, deformering eller revner.

BEMÆRKNING: Hæld vandet under transportbakken eller spanden, når maskinen rengøres med rindende vand. Brug ikke en højtryksrensers til rengøring.

Fjern mudder, snavs og lignende fra maskinen. Rengør maskinen med rindende vand. Aftør maskinen med en tør klud efter rengøringen.

Opbevaring

Fjern låsenøglen. Opbevar maskinen på et sikkert sted, der er utilgængeligt for børn.

Ved opbevaring af maskinen kan håndtagene drejes fremad. Fjern de korte sekskantbolte og skulderboltene ved hjælp af skruenøglen, der medfølger i pakken. Drej håndtagene mod ydersiden, og drej derefter håndtagene fremad. Tilspænd skulderboltene og de korte sekskantbolte for at fastgøre håndtagene.

► **Fig.51:** 1. Skulderbolt 2. Kort sekskantbolt

BEMÆRKNING: Brug ikke overdreven magt for at tilspænde de korte sekskantbolte. Tilspænd dem med passende kraft, så håndtagene er fastgjort stabilt.

BEMÆRKNING: Undlad at klemme ledningerne med boltene.

Justering af bremsen

⚠ FORSIGTIG: Hvis baghjulene er monteret, skal du sørge for at låse baghjulsbremsen, før du justerer bremsen.

1. Fjern transportbakken eller spanden, og åbn derefter transportrammen.
► **Fig.52:** 1. Transportramme
2. Træk bremsearmen for at frigøre låseknappen på bremsearmen.
► **Fig.53:** 1. Låseknep 2. Bremsearm
3. Løsn justeringsmuffen og fastgøringsmøtrikken.
► **Fig.54:** 1. Justeringsmuffe 2. Fastgøringsmøtrik
4. Tilspænd kun fastgøringsmøtrikken.
► **Fig.55:** 1. Fastgøringsmøtrik
5. Løsn justeringsmuffen og fastgøringsmøtrikken.
► **Fig.56:** 1. Justeringsmuffe 2. Fastgøringsmøtrik
6. Tilspænd kun fastgøringsmøtrikken.
► **Fig.57:** 1. Fastgøringsmøtrik

7. Sørg for, at bremsearmen er i halvvejsstillingen, når den er fuldt trukket. Hvis bremsearmen er i halvvejsstillingen, skal du gå til trin 13. Hvis bremsearmen ikke er i halvvejsstillingen, skal du gå til trin 8.

► **Fig.58:** 1. Bremsearm

8. Løsn kun fastgøringsmøtrikken.

► **Fig.59:** 1. Fastgøringsmøtrik

9. Tilspænd fastgøringsmøtrikken og justeringsmuffen sammen.

► **Fig.60:** 1. Justeringsmuffe 2. Fastgøringsmøtrik

10. Løsn kun fastgøringsmøtrikken.

► **Fig.61:** 1. Fastgøringsmøtrik

11. Tilspænd fastgøringsmøtrikken og justeringsmuffen sammen.

► **Fig.62:** 1. Justeringsmuffe 2. Fastgøringsmøtrik

12. Sørg for, at bremsearmen er i halvvejsstillingen, når den er fuldt trukket.

► **Fig.63:** 1. Bremsearm

13. Fold transportrammen sammen, og monter derefter transportbakken eller spanden.

► **Fig.64:** 1. Transportramme

Oppumpning af dækket med luft

Kontroller, at der ikke mangler luft i dækket på forhjulet. Pump dækket ved hjælp af en pumpe, hvis der er for lidt luft i hjulet. Det anbefalede dæktryk er 230 kPa.

► **Fig.65**

EKSTRAUDSTYR

⚠ FORSIGTIG: Det følgende tilbehør og ekstraudstyr er anbefalet til brug med Deres Makita maskine, der er beskrevet i denne brugsanvisning. Anvendelse af andet tilbehør eller ekstraudstyr kan udgøre en risiko for personskade. Anvend kun tilbehør og ekstraudstyr til det beskrevne formål.

⚠ FORSIGTIG: Brug kun Makita tilbehør eller ekstraudstyr til maskinen. Brug af andet tilbehør eller ekstraudstyr kan medføre alvorlig personskade.

Hvis De behøver hjælp ved valg af tilbehør eller ønsker yderligere informationer, bedes De kontakte Deres lokale Makita servicecenter.

- Transportbakke
- Spænd
- Ekstra hjul
- Original Makita akku og oplader

BEMÆRK: Nogle ting på denne liste kan være inkluderet i værktøjsspakken som standardtilbehør. Det kan være forskellige fra land til land.

ΠΡΟΔΙΑΓΡΑΦΕΣ

Μοντέλο:		DCU180
Διαστάσεις (Μ x Π x Υ)	Όταν είναι τοποθετημένος ο φορέας	Κατά τη λειτουργία: 1.315 mm x 1.060 mm x 900 mm Κατά την αποθήκευση: 1.110 mm x 820 mm x 820 mm
	Όταν είναι τοποθετημένος ο κάδος	Κατά τη λειτουργία: 1.310 mm x 820 mm x 900 mm Κατά την αποθήκευση: 1.110 mm x 820 mm x 820 mm
Ταχύτητα πορείας	Εμπρός	1,5 ή 3,5 km/h
	Όπισθεν	1,0 km/h
Ελάχιστη ακτίνα στροφής		1.075 mm (Εξωτερική διάμετρος όταν στρίβει με μπροστινό τροχό ως άξονα)
Μέγιστη ικανότητα αναρρίχησης		12°
Μέγιστη ικανότητα φορτίου		130 kg
Φρένο	Μπροστινός τροχός	Δισκόφρενο με σύρμα
	Πίσω τροχός	Στερεωμένο με πεντάλ
Ελαστικό	Μπροστινός τροχός	Ελαστικό χωρίς σαμπρέλα
	Πίσω τροχός	Αυτοσφραγιζόμενο ελαστικό
Ονομαστική τάση		D.C. 18 V
Καθαρό βάρος	Όταν είναι τοποθετημένος ο φορέας	45 kg
	Όταν είναι τοποθετημένος ο κάδος	39 - 40 kg

- Λόγω του συνεχιζόμενου προγράμματος έρευνας και ανάπτυξης, οι προδιαγραφές αυτές υπόκεινται σε αλλαγές χωρίς προειδοποίηση.
- Οι προδιαγραφές και η κασέτα μπαταριών μπορεί να διαφέρουν ανάλογα με τη χώρα.
- Το βάρος μπορεί να διαφέρει ανάλογα με τα προσαρτήματα, συμπεριλαμβανοντας την κασέτα μπαταριών. Ο ελαφρύτερος και ο βαρύτερος συνδυασμός, σύμφωνα με τη διαδικασία ΕΡΤΑ 01/2014, παρουσιάζονται στον πίνακα.

Ισχύουσα κασέτα μπαταριών και φορτιστής

Κασέτα μπαταρίας	BL1815N / BL1820 / BL1820B / BL1830 / BL1830B / BL1840 / BL1840B / BL1850 / BL1850B / BL1860B
Φορτιστής	DC18RC / DC18RD / DC18RE / DC18SD / DC18SE / DC18SF

- Ορισμένες από τις κασέτες και τους φορτιστές μπαταριών που αναγράφονται παραπάνω ίσως να μην είναι διαθέσιμοι, ανάλογα με την τοποθεσία κατοικίας σας.

⚠ ΠΡΟΕΙΔΟΠΟΙΗΣΗ: Να χρησιμοποιείτε μόνο τις κασέτες μπαταριών και τους φορτιστές που παρατίθενται ανωτέρω. Η χρήση οποιασδήποτε άλλης κασέτας μπαταριών ή φορτιστή μπορεί να προκαλέσει τραυματισμό ή/και πυρκαγιά.

Σύμβολα

Παρακάτω παρουσιάζονται τα σύμβολα που χρησιμοποιούνται για τον εξοπλισμό. Βεβαιωθείτε ότι κατανοείτε τη σημασία τους πριν από τη χρήση.



Διαβάστε το εγχειρίδιο οδηγιών.



Ni-MH
Li-ion

Μόνο για τις χώρες της ΕΕ
Μην απορρίπτετε ηλεκτρικό εξοπλισμό ή την μπαταρία μαζί με τα οικιακά απορρίμματα!
Σύμφωνα με τις Ευρωπαϊκές Οδηγίες για τον απόβλητο ηλεκτρικό και ηλεκτρονικό εξοπλισμό και τις μπαταρίες και συσσωρευτές και τις απόβλητες μπαταρίες και συσσωρευτές και την ενσωμάτωσή τους σύμφωνα με την εθνική νομοθεσία, ο ηλεκτρικός εξοπλισμός και η μπαταρία και τα πακέτα μπαταριών που έχουν φτάσει το τέλος ζωής τους πρέπει να συλλέγονται ξεχωριστά και να επιστρέφονται σε εγκαταστάσεις περιβαλλοντικά συμβατής ανακύκλωσης.



Τραβήξτε πλήρως προς τα κάτω το μοχλό και ελέγξτε ότι ο φορέας ή ο κάδος είναι ασφαλισμένος.



Μην αλλάξετε την κατεύθυνση όταν βρισκόσαστε σε απότομες κλίσεις.



Να φορτώνετε και να εκφορτώνετε αντικείμενα σε επίπεδο έδαφος.



Φορτώστε αντικείμενα στον φορέα ή στον κάδο ομοίωμορφα.



Το μηχάνημα αυτό δεν μπορεί να χρησιμοποιηθεί σε δημόσιο δρόμο.



Να μην χρησιμοποιείται για τη μεταφορά ατόμων.



Μην εκθέτετε σε βροχή.



Για να ακυρώσετε τον χαρακτηριστικό ήχο, αφήστε τη σκανδάλη διακόπτη και τραβήξτε το μοχλό φρένου.



Μην κοιτάζετε επίμονα την ακτίνα.

Προοριζόμενη χρήση

Το μηχάνημα προορίζεται για τη φόρτωση και τη μεταφορά αντικειμένων, και λειτουργεί με μπαταρία.

Θόρυβος

Το τυπικό Α επίπεδο καταμετρημένου θορύβου καθορίζεται σύμφωνα με το EN62841: Στάθμη ηχητικής πίεσης (L_{pA}): 70 dB (A) ή λιγότερο Αβεβαιότητα (K): 3 dB (A)

Η ένταση θορύβου υπό συνθήκες εργασίας μπορεί να υπερβεί τα 80 dB (A).

ΠΑΡΑΤΗΡΗΣΗ: Η δηλωμένη τιμή(ές) εκπομπής θορύβου έχει μετρηθεί σύμφωνα με την πρότυπη μέθοδο δοκιμής και μπορεί να χρησιμοποιηθεί για τη σύγκριση ενός εργαλείου με κάποιο άλλο.

ΠΑΡΑΤΗΡΗΣΗ: Η δηλωμένη τιμή(ές) εκπομπής θορύβου μπορεί να χρησιμοποιηθεί και στην προκαταρκτική αξιολόγηση της έκθεσης.

▲ΠΡΟΕΙΔΟΠΟΙΗΣΗ: Να φοράτε υγροασπίδες.

▲ΠΡΟΕΙΔΟΠΟΙΗΣΗ: Η εκπομπή θορύβου κατά τη χρήση του ηλεκτρικού εργαλείου σε πραγματικές συνθήκες μπορεί να διαφέρει από τη δηλωμένη τιμή(ές) ανάλογα με τους τρόπους χρήσης του εργαλείου, ιδιαίτερα το είδος του τεμαχίου εργασίας που υπόκειται επεξεργασία.

▲ΠΡΟΕΙΔΟΠΟΙΗΣΗ: Φροντίστε να λάβετε τα κατάλληλα μέτρα προστασίας του χειριστή βάσει ενός υπολογισμού της έκθεσης σε πραγματικές συνθήκες χρήσης (λαμβάνοντας υπόψη όλες τις συνιστώσες του κύκλου λειτουργίας όπως τους χρόνους που το εργαλείο είναι εκτός λειτουργίας και όταν βρίσκεται σε αδρανή λειτουργία πέραν του χρόνου ενεργοποίησης).

Κραδασμός

Η ολική τιμή δόνησης (άθροισμα τρι-αξονικού διανύσματος) καθορίζεται σύμφωνα με το EN62841: Είδος εργασίας: λειτουργία χωρίς φορτίο Εκπομπή δόνησης (a_{h1}): 2,5 m/s² ή λιγότερο Αβεβαιότητα (K): 1,5 m/s²

ΠΑΡΑΤΗΡΗΣΗ: Η δηλωμένη τιμή(ές) συνολικών κραδασμών έχει μετρηθεί σύμφωνα με την πρότυπη μέθοδο δοκιμής και μπορεί να χρησιμοποιηθεί για τη σύγκριση ενός εργαλείου με κάποιο άλλο.

ΠΑΡΑΤΗΡΗΣΗ: Η δηλωμένη τιμή(ές) συνολικών κραδασμών μπορεί να χρησιμοποιηθεί και στην προκαταρκτική αξιολόγηση της έκθεσης.

▲ΠΡΟΕΙΔΟΠΟΙΗΣΗ: Η εκπομπή κραδασμών κατά τη χρήση του ηλεκτρικού εργαλείου σε πραγματικές συνθήκες μπορεί να διαφέρει από τη δηλωμένη τιμή(ές) εκπομπής ανάλογα με τους τρόπους χρήσης του εργαλείου, ιδιαίτερα το είδος του τεμαχίου εργασίας που υπόκειται επεξεργασία.

▲ΠΡΟΕΙΔΟΠΟΙΗΣΗ: Φροντίστε να λάβετε τα κατάλληλα μέτρα προστασίας του χειριστή βάσει ενός υπολογισμού της έκθεσης σε πραγματικές συνθήκες χρήσης (λαμβάνοντας υπόψη όλες τις συνιστώσες του κύκλου λειτουργίας όπως τους χρόνους που το εργαλείο είναι εκτός λειτουργίας και όταν βρίσκεται σε αδρανή λειτουργία πέραν του χρόνου ενεργοποίησης).

Δήλωση συμμόρφωσης ΕΚ

Μόνο για χώρες της Ευρώπης

Η δήλωση συμμόρφωσης ΕΚ περιλαμβάνεται ως Παράρτημα Α στο παρόν εγχειρίδιο οδηγιών.

ΠΡΟΕΙΔΟΠΟΙΗΣΕΙΣ ΑΣΦΑΛΕΙΑΣ

Γενικές προειδοποιήσεις ασφαλείας για το ηλεκτρικό εργαλείο

▲ΠΡΟΕΙΔΟΠΟΙΗΣΗ: Διαβάστε όλες τις προειδοποιήσεις ασφαλείας, οδηγίες, εικονογραφημένες και προδιαγραφές που παρέχονται με αυτό το ηλεκτρικό εργαλείο. Η μη τήρηση όλων των οδηγιών που αναγράφονται κατωτέρω μπορεί να καταλήξει σε ηλεκτροπληξία, πυρκαγιά ή/και σοβαρό τραυματισμό.

Φυλάξτε όλες τις προειδοποιήσεις και τις οδηγίες για μελλοντική παραπομπή.

Στις προειδοποιήσεις, ο όρος «ηλεκτρικό εργαλείο» αναφέρεται σε ηλεκτρικό εργαλείο που τροφοδοτείται από την κύρια παροχή ηλεκτρικού ρεύματος (με ηλεκτρικό καλώδιο) ή σε ηλεκτρικό εργαλείο που τροφοδοτείται από μπαταρία (χωρίς ηλεκτρικό καλώδιο).

Προειδοποιήσεις ασφαλείας για το καρότσι με μπαταρία

1. Κατά τη λειτουργία του μηχανήματος, να φοράτε πάντα αντιολισθητικά και προστατευτικά υποδήματα. Οι αντιολισθητικές, κλειστές μπότες και παπούτσια ασφαλείας θα μειώσουν τον κίνδυνο τραυματισμού.

2. **Επιθεωρήστε τη διαδρομή πριν τη μεταφορά αντικειμένων/υλικών.** Αν εξοικειωθείτε με τη διαδρομή και εξασφαλίσετε ότι είναι αρκετά πλατιά για να μεταφέρετε με ασφάλεια το μηχάνημα υπό φορτίο, θα συμβάλλετε στη μείωση της απώλειας ελέγχου του μηχανήματος.
3. **Να είστε πολύ προσεκτικοί σε ολισθηρό, χαλαρό και ασταθές έδαφος.** Οι υγρές και ολισθηρές επιφάνειες, όπως περιοχές με βρεγμένο γρασιδί, χιόνι ή πάγο, και το χαλαρό και ασταθές έδαφος, όπως επιφάνειες με άμμο ή χαλίκια, μπορεί να προκαλέσουν την απώλεια πρόσφυσης και μπορεί να επηρεάσουν δυσμενώς την διεύθυνση, πέδηση και ευστάθεια.
4. **Μη χειρίζεστε το μηχάνημα σε υπερβολικά μεγάλες κλίσεις.** Αυτό μειώνει τον κίνδυνο για απώλεια ελέγχου, ολίσθησης και πτώσης, τα οποία μπορούν να έχουν ως αποτέλεσμα προσωπικό τραυματισμό. Οι ανηφόρες με μεγαλύτερη κλίση από τη μέγιστη συνιστώμενη κλίση και οι πλαγιές μπορεί να αυξήσουν τον κίνδυνο αστάθειας και μπορεί να επηρεάσουν δυσμενώς την ικανότητα της ασφαλούς ακινητοποίησης.
5. **Όταν εργάζεστε υπό κλίση, να είστε πάντα σίγουροι για το πάτημά σας, να εργάζεστε πάντα κατά πλάτος της πρόσφυσης της κλίσης, ποτέ προς τα πάνω ή κάτω, και να προσέχετε ιδιαίτερα όταν αλλάζετε κατεύθυνση.** Αυτό μειώνει τον κίνδυνο για απώλεια ελέγχου, ολίσθησης και πτώσης, τα οποία μπορούν να έχουν ως αποτέλεσμα προσωπικό τραυματισμό.
6. **Όταν είναι δυνατό, να χρησιμοποιείτε επίπεδες περιοχές για την ακινητοποίηση, τη φόρτωση και την εκφόρτωση και ποτέ να μην αφήνετε το μηχάνημα ανεπιτήρητο επάνω σε κλίση.** Το μηχάνημα είναι πιο ασταθές όταν είναι ακινητοποιημένο σε κλίση παρά όταν είναι ακινητοποιημένο σε επίπεδη επιφάνεια.
7. **Όταν σταματάτε σε κλίση, στρέψτε το μηχάνημα ανηφορικά ή κατηφορικά και τοποθετήστε τάκος στους τροχούς χωρίς φρένο.** Το μηχάνημα είναι λιγότερο σταθερό όταν είναι στραμμένο κατά πλάτος μιας κλίσης. Οι τροχοί χωρίς φρένο, και ιδιαίτερα οι στροφαλοκίβοι, μπορούν δυνητικώς να περιστραφούν και να κυλήσουν κατηφορικά ακόμη κι αν το φρένο στάθμευσης του μπροστινού τροχού είναι ενεργοποιημένο.
8. **Όταν αφήνετε το μηχάνημα χωρίς επιτήρηση, ενεργοποιήστε το φρένο στάθμευσης όταν το μηχάνημα βρίσκεται σε μια περιοχή που είναι ασφαλή για ακινητοποίηση.** Το φρένο στάθμευσης εμποδίζει την ανεπιθύμητη κίνηση του μπροστινού τροχού και μπορεί να βελτιώσει την ευστάθεια.
9. **Βεβαιωθείτε ότι οι ράμπες είναι καθαρές, δυνατές και ασφαλισμένες.** Προκειμένου να μειωθεί ο κίνδυνος τραυματισμού, δεν πρέπει να υπάρχουν ελεύθερα σκουπίδια επάνω στις ράμπες και οι ράμπες πρέπει να αντέχουν το βάρος των αναμενόμενων φορτίων που θα μεταφερθούν επάνω σε αυτές. Πρέπει να υπάρχουν επαρκείς τάκοι κάτω από αυτές αλλά και στα δύο πλαϊνά, για να εξαλειφθούν οι παρεκτροπές και οι πλαϊνή κίνηση υπό φορτίο. Όλες οι ράμπες πρέπει να είναι αρκετά πλατιές για να είναι ασφαλές το πάτημα σε αυτές κατά τη μεταφορά φορτίων επάνω τους.
10. **Βεβαιωθείτε ότι η χοάνη είναι κατεβαμένη και οι χοάνες και πόρτες εκφόρτωσης είναι καλά ασφαλισμένες όταν δεν εκφορτώνετε το φορτίο και όταν αποθηκεύετε το μηχάνημα.** Οι μη ασφαλισμένες χοάνες και πόρτες εκφόρτωσης μπορούν να ανοίξουν ή να μετατοπιστούν απρόσμενα.
11. **Αποφεύγετε την προέκταση των ραμπών χωρίς σανίδες ενίσχυσης ή κιγκλιδώματα πάνω από ανοικτούς χώρους.** Στους ανυψωμένους ανοικτούς χώρους και στα ανοικτά χαντάκια προκαλούνται πιο εύκολα πτώσεις κατά λάθος και αυξάνεται η πιθανότητα για σοβαρό τραυματισμό. Χρησιμοποιήστε σανίδες ενίσχυσης ή κιγκλιδώματα πάνω από ανοικτούς χώρους για να αποτραπεί η καθοδήγηση του μηχανήματος εκτός της ράμπας.
12. **Βεβαιωθείτε ότι όλες οι βίδες ασφάλισης είναι καλά ασφαλισμένες πριν από τη χρήση.** Οι βίδες ασφάλισης στους πίσω τροχούς και στο μπροστινό μέρος και πλαϊνά τοιχώματα ενός φορέα ανοικτού τύπου πρέπει να είναι ασφαλισμένες για να αποτρέπεται η ανεπιθύμητη κίνηση αυτών των ρυθμιζόμενων μερών του μηχανήματος.
13. **Μη χειρίζεστε ποτέ το μηχάνημα σε συνθήκες υπερφόρτωσης.** Βεβαιωθείτε ότι το μηχάνημα έχει τη σωστή ονομαστική ικανότητα για να αντισταθεί ή τα υλικά που πρέπει να μεταφερθούν. Τα υπερβολικά φορτία θα δυσχεραίνουν το χειρισμό και την ακινητοποίηση του μηχανήματος, θα αυξήσουν το χρόνο και την απόσταση ακινητοποίησης και θα αυξήσουν τον κίνδυνο αστάθειας.
14. **Μη χειρίζεστε ποτέ το μηχάνημα σε συνθήκες υπερβολικής στοίβαξης.** Η στοίβαξη υλικού πάνω από το χείλος του δίσκου ή πέρα από τα πλαϊνά του δίσκου μπορεί να προκαλέσει την ανεξέλεγκτη απώλεια ισορροπίας και ελέγχου του μηχανήματος.
15. **Χρησιμοποιήστε δοχεία και προσδέξια για να ασφαλίσετε τα φορτία.** Τα χαλαρά ή/και μη ασφαλισμένα φορτία είναι πιο πιθανό να μετατοπιστούν, γεγονός που μπορεί να έχει ως αποτέλεσμα την απώλεια της σταθερότητας και του ελέγχου.
16. **Να διατηρείτε πάντα καλό κράτημα των χειρολαβών.** Η απώλεια του ελέγχου αυξάνει τον κίνδυνο για προσωπικό τραυματισμό.
17. **Να αφαιρείτε το κλειδί ασφαλείας όταν δεν το χρησιμοποιείτε.** Το κλειδί ασφαλείας αποτρέπει την ανεπιθύμητη ηλεκτροδοτούμενη χρήση του μηχανήματος, όπως από παιδιά ή άλλα μη εκπαιδευμένα ή μη εξουσιοδοτημένα άτομα. Χωρίς κλειδί, δεν είναι δυνατή η ενεργοποίηση της ηλεκτρικής παροχής.
18. **Το μηχάνημα αυτό δεν μπορεί να χρησιμοποιηθεί σε δημόσιους δρόμους.** Η χρήση του καρτσιού σε δημόσιο δρόμο είναι παράνομη και ενδέχεται να οδηγήσει στην επιβολή κυρώσεων από τις τοπικές αρχές, ενώ παράλληλα ενδέχεται να προκαλέσει τραυματισμό.
19. **Χρησιμοποιήστε μια ανθεκτική πλάκα με αντισιδητική λειτουργία και λειτουργία αποφυγής αποσύνδεσης, κατά τη φόρτωση ή/και την εκφόρτωση αυτού του μηχανήματος για να το μεταφέρετε ή κατά τη μετακίνηση του μηχανήματος μεταξύ διαφορετικών επιπέδων.** Βεβαιωθείτε ότι η κλίση της πλάκας δεν υπερβαίνει τις 12° και λειτουργήστε το μηχάνημα αργά και προσεκτικά. Η ασταθής και γρήγορη λειτουργία ενδέχεται να οδηγήσει σε ανατροπή ή/και πτώση.
20. **Μην αποσυνδέετε, μην επισκευάζετε ή μην τροποποιείτε αυτό το μηχάνημα.**

Λειτουργία

1. Κατά τη λειτουργία του μηχανήματος, σταθείτε πίσω από το μηχάνημα και κρατήστε καλά τις χειρολαβές.
2. Μη χειρίζεστε το μηχάνημα ενώ κάθεστε επάνω στο μηχάνημα και σας μεταφέρει.
3. Μην επιτρέπετε σε άλλους να κάθονται επάνω στο μηχάνημα για να τους μεταφέρει.
4. Όταν χειρίζεστε το μηχάνημα με την όπισθεν και περπατάτε προς τα πίσω, να κοιτάτε πίσω σας και να προσέχετε ώστε να μη γλιστρήσετε ή σκοντάψετε.
5. Μη χρησιμοποιείτε το μηχάνημα όταν η ορατότητα είναι κακή επειδή υπάρχει κίνδυνος σύγκρουσης με εμπόδια.
6. Όταν χειρίζεστε το μηχάνημα σε ανώμαλο έδαφος, μειώστε ταχύτητα και προσέχετε.
7. Όταν χρησιμοποιείτε το μηχάνημα, να αποφεύγετε το μαλακό έδαφος για να αποτρέψετε την ανατροπή εξαιτίας της κατάρριψης της άκρης του δρόμου.
8. Μη χειρίζεστε το μηχάνημα σε ανηφόρες μεγαλύτερες από 12°.
9. Αν συναντήσετε κάποια ανωμαλία, ακινητοποιήστε το μηχάνημα σε επίπεδο έδαφος. Πριν επιθεωρήσετε το μηχάνημα, τραβήξτε το μοχλό φρένου και ασφαλίστε το φρένο, μετά απενεργοποιήστε την ισχύ.
10. Πριν θέσετε το μηχάνημα σε λειτουργία, βεβαιωθείτε ότι ο μοχλός ασφάλισης είναι πλήρως τραβηγμένος προς τα κάτω και εντελώς ασφαλισμένος. Αν η ασφάλιση είναι ελλιπής, υπάρχει κίνδυνος ατυχήματος ή τραυματισμού επειδή ο φορέας ή ο κάδος μπορεί να βρισκονται υπό κλίση και να πέσουν τα αντικείμενα στην κατηφόρα.
11. Προσέχετε να μην μπλέξετε τα καλώδια με το φορτίο ή εμπόδια.

Λειτουργία σε κλίσεις

1. Μην προσπερνάτε επάνω σε κλίσεις.
2. Φροντίστε να μειώσετε την ταχύτητα και προσέχετε πολύ.
3. Να προσέχετε όταν ξεκινάτε ή σταματάτε το μηχάνημα επάνω σε κλίσεις.
4. Καθώς τα φορτία γίνονται λιγότερο σταθερά στις κλίσεις, ασφαλίστε καλά τα φορτία με σκοινιά.
5. Επειδή το μηχάνημα γίνεται ασταθές, ανάλογα με την κατάσταση του δρόμου, διατηρήστε το φορτίο στο ελάχιστο.
6. Επειδή η ορατότητα εμποδίζεται στις κλίσεις, να διατηρείτε το ύψος του φορτίου στο ελάχιστο.
7. Μη σταθεμείτε ποτέ το μηχάνημα σε απότομες κλίσεις. Σταθεμύστε το μηχάνημα σε επίπεδο έδαφος, τραβήξτε το μοχλό φρένου και ασφαλίστε το φρένο, μετά απενεργοποιήστε την ισχύ.
8. Μην αλλάζετε την κατεύθυνση ή ταχύτητα όταν βρίσκεστε σε απότομες κλίσεις.
9. Μην ελευθερώσετε τη σκανδάλη διακόπτη σε ανηφόρες. Το μηχάνημα μπορεί να μεταβεί στην όπισθεν και να προκαλέσει ατύχημα.
10. Βεβαιωθείτε ότι η υπόλοιπη χωρητικότητα μπαταρίας είναι αρκετή πριν τη λειτουργία σε κλίσεις. Αν η εναπομένουσα χωρητικότητα μπαταρίας δεν είναι αρκετή, φορτίστε την μπαταρία ή αντικαταστήστε τη με μια φορτισμένη.

Φόρτωση αντικειμένων

1. Μην υπερφορτώνετε αντικείμενα. Όταν φορτώνετε αντικείμενα, βεβαιωθείτε ότι ακολουθείτε τις οδηγίες και τα όρια φορτίου που αναφέρονται στο εγχειρίδιο.
2. Ασφαλίστε καλά τα αντικείμενα με σκοινιά.
3. Φορτώστε τα αντικείμενα εντός του φορέα ή κάδου. Αν τα αντικείμενα προεξέχουν από το φορέα ή τον κάδο, υπάρχει κίνδυνος ατυχημάτων εξαιτίας της πτώσης αντικειμένων ή της επαφής με εμπόδια, όπως τοίχοι.
4. Βεβαιωθείτε ότι τα φορτωμένα αντικείμενα βρισκονται κάτω από το επίπεδο του ματιού. Αν το φορτίο είναι πολύ υψηλό, είναι επικίνδυνο επειδή η ορατότητα εμποδίζεται. Επίσης, υπάρχει κίνδυνος ανατροπής και τραυματισμού επειδή είναι πιθανό το φορτίο να μην είναι ισορροπημένο.
5. Φορτώστε τα αντικείμενα στον φορέα ή στον κάδο ομοιόμορφα. Αν τα αντικείμενα φορτωθούν ανομοιόμορφα, υπάρχει κίνδυνος ανατροπής και τραυματισμού επειδή είναι πιθανό το φορτίο να μην είναι ισορροπημένο.
6. Πριν φορτώσετε αντικείμενα ή θέσετε το μηχάνημα σε λειτουργία, βεβαιωθείτε ότι ο μοχλός ασφάλισης είναι πλήρως τραβηγμένος προς τα κάτω και εντελώς ασφαλισμένος.
7. Βεβαιωθείτε να φορτώνετε πρώτα τα βαριά αντικείμενα για να διατηρείτε την ισορροπία.
8. Μην προεκτείνετε τα μπροστινά και πλαϊνά κάγκελα σε απότομες κλίσεις. Προεκτείνετε τα πλαϊνά κάγκελα όταν είναι φορτωμένα ελαφριά αντικείμενα.
9. Όταν προεκτείνετε τα μπροστινά και πλαϊνά κάγκελα, μην τα προεκτείνετε πέρα από το όριο προέκτασης. Βεβαιωθείτε να προεκτείνετε τα πλαϊνά κάγκελα με τρόπο ώστε το δεξί και το αριστερό πλαϊνό να είναι το ίδιο μήκος, και να φορτώνετε τα αντικείμενα ομοιόμορφα.
10. Να φορτώνετε και να εκφορτώνετε αντικείμενα σε επίπεδο έδαφος.
11. Όταν ανυψώνετε και γείρετε το φορέα ή τον κάδο, να κρατάτε καλά τις χειρολαβές και το πλαίσιο και να εργάζεστε με μια σταθερή στάση.

Συντήρηση

1. Φροντίζετε πάντα να σταθεμείτε το μηχάνημα σε επίπεδο έδαφος και ασφαλίστε το μοχλό φρένου πριν την αποθήκευση ή την εκτέλεση εργασιών επιθεώρησης ή συντήρησης.

ΦΥΛΑΞΤΕ ΤΙΣ ΟΔΗΓΙΕΣ ΑΥΤΕΣ.

▲ΠΡΟΕΙΔΟΠΟΙΗΣΗ: ΜΗΝ επιτρέπετε το βαθμό άνεσης ή εξοικείωσης με το προϊόν (λόγω επανειλημμένης χρήσης) να αντικαταστήσει την αυστηρή τήρηση των κανόνων ασφαλείας του παρόντος εργαλείου. Η ΛΑΝΘΑΣΜΕΝΗ ΧΡΗΣΗ ή η αμέλεια να ακολουθήσετε τους κανόνες ασφαλείας που διατυπώνονται στο παρόν εγχειρίδιο οδηγιών μπορεί να προκαλέσει σοβαρό προσωπικό τραυματισμό.

Σημαντικές οδηγίες ασφάλειας για κασέτα μπαταριών

1. Πριν χρησιμοποιήσετε την κασέτα μπαταριών, διαβάστε όλες τις οδηγίες και σημειώσεις προφύλαξης (1) στον φορτιστή μπαταριών, (2) στην μπαταρία και (3) στο προϊόν που χρησιμοποιεί την μπαταρία.
2. Μην απουναρμολογήσετε την κασέτα μπαταριών.
3. Εάν ο χρόνος λειτουργίας έχει γίνει υπερβολικά βραχύς, σταματήστε τη λειτουργία αμέσως. Αλλιώς, μπορεί να έχει ως αποτέλεσμα κίνδυνο υπερθέρμανσης, πιθανά εγκαύματα ή ακόμη και έκρηξη.
4. Εάν ηλεκτρολύτης μπει στα μάτια σας, ξεπλύνετε τα με καθαρό νερό και ζητήστε ιατρική φροντίδα αμέσως. Αλλιώς, μπορεί να έχει ως αποτέλεσμα απώλεια της όρασης σας.
5. Μην βραχυκυκλώνετε την κασέτα μπαταριών:
 - (1) Μην αγγίζετε τους πόλους με οτιδήποτε αγώγιμο υλικό.
 - (2) Αποφεύγετε να αποθηκεύετε την κασέτα μπαταριών μέσα σε ένα δοχείο μαζί με άλλα μεταλλικά αντικείμενα όπως καρφιά, νομίσματα, κλπ.
 - (3) Μην εκθέτετε την κασέτα μπαταριών στο νερό ή στη βροχή.

Ένα βραχυκύκλωμα μπαταρίας μπορεί να προκαλέσει μεγάλη ροή ρεύματος, υπερθέρμανση, πιθανά εγκαύματα ακόμη και σοβαρή βλάβη.

6. Μην αποθηκεύετε το εργαλείο και την κασέτα μπαταριών σε τοποθεσίες όπου η θερμοκρασία μπορεί να φτάσει ή να ξεπεράσει τους 50°C.
7. Μην καίτε την κασέτα μπαταριών ακόμη και εάν έχει σοβαρή ζημιά ή είναι εντελώς φθαρμένη. Η κασέτα μπαταριών μπορεί να εκραγεί στη φωτιά.
8. Προσέχετε να μη ρίξετε κάτω ούτε να χτυπήσετε την μπαταρία.
9. Μην χρησιμοποιείτε μπαταρία που έχει υποστεί ζημιά.
10. Οι μπαταρίες ιόντων λιθίου που περιέχονται υπόκεινται στις απαιτήσεις της νομοθεσίας για επικίνδυνα αγαθά.

Για εμπορικές μεταφορές, για παράδειγμα από τρίτα μέρη, πρέπει να τηρούνται οι διαμεταφορείς, οι ειδικές απαιτήσεις στη συσκευασία και η επισήμανση. Για προετοιμασία του στοιχείου που αποστέλλεται, είναι απαραίτητο να συμβουλευτείτε έναν ειδικό για επικίνδυνα υλικά. Επίσης, τηρήστε τους πιθανούς, πιο αναλυτικούς εθνικούς κανονισμούς. Καλύψτε με αυτοκόλλητη ταινία ή κρύψτε τις ανοικτές επαφές και συσκευάστε την μπαταρία με τρόπο που να μην μπορεί να μετακινείται μέσα στη συσκευασία.
11. Τηρήστε τους τοπικούς κανονισμούς που σχετίζονται με τη διάθεση της μπαταρίας.
12. Χρησιμοποιήστε τις μπαταρίες μόνο με τα προϊόντα που καθορίζει η Makita. Αν τοποθετήσετε τις μπαταρίες σε μη συμβατά προϊόντα μπορεί να έχει ως αποτέλεσμα πυρκαγιά, υπερβολική θερμότητα, έκρηξη ή διαρροή ηλεκτρολύτη.

ΦΥΛΑΞΤΕ ΤΙΣ ΟΔΗΓΙΕΣ ΑΥΤΕΣ.

▲ΠΡΟΣΟΧΗ: Να χρησιμοποιείτε μόνο γνήσιες μπαταρίες της Makita. Η χρήση μη γνήσιων μπαταριών Makita, ή μπαταριών που έχουν τροποποιηθεί, μπορεί να έχει ως αποτέλεσμα τη ρήξη της μπαταρίας, προκαλώντας πυρκαγιά, προσωπικό τραυματισμό και βλάβη. Επίσης, θα ακρωθωθεί η εγγύηση της Makita για το εργαλείο και φορτιστή Makita.

Συμβουλές για τη διατήρηση της μέγιστης ζωής μπαταρίας

1. Φορτίζετε την κασέτα μπαταριών πριν από την πλήρη αποφόρτισή της. Πάντοτε να σταματάτε τη λειτουργία του εργαλείου και να φορτίζετε την κασέτα μπαταριών όταν παρατηρείτε μειωμένη ισχύ εργαλείου.
2. Ποτέ μην επαναφορτίζετε μια πλήρως φορτισμένη κασέτα μπαταριών. Η υπερφόρτιση μειώνει την ωφέλιμη ζωή της μπαταρίας.
3. Να φορτίζετε την κασέτα μπαταριών σε θερμοκρασία δωματίου, δηλαδή στους 10°C έως 40°C. Αφήστε μια θερμή κασέτα μπαταριών να κρυώσει πριν την φορτίσετε.
4. Να φορτίζετε την κασέτα μπαταριών εάν δεν τη χρησιμοποιείτε για μεγάλη χρονική περίοδο (περισσότερο από έξι μήνες).

ΠΕΡΙΓΡΑΦΗ ΕΞΕΑΡΤΗΜΑΤΩΝ

Περιγραφή εξαρτημάτων (όταν είναι τοποθετημένος ο φορέας)

► Εικ.1

1	Πίνακας ελέγχου	2	Χειρολαβή
3	Σκανδάλη διακόπτης	4	Κουτί μπαταριών
5	Μοχλός φρένου για μπροστινό τροχό	6	Πίσω τροχός
7	Πεντάλ φρένου για πίσω τροχό	8	Λάμπα
9	Μπροστινός τροχός	10	Φορέας

Περιγραφή εξαρτημάτων (όταν είναι τοποθετημένος ο κάδος)

► Εικ.2

1	Πίνακας ελέγχου	2	Χειρολαβή
3	Σκανδάλη διακόπτης	4	Κουτί μπαταριών
5	Μοχλός φρένου για μπροστινό τροχό	6	Πίσω τροχός
7	Πεντάλ φρένου για πίσω τροχό	8	Λάμπα
9	Μπροστινός τροχός	10	Κάδος

ΣΥΝΑΡΜΟΛΟΓΗΣΗ

▲ ΠΡΟΣΟΧΗ: Να βεβαιώνετε πάντα ότι το μηχά-
ημα είναι εσθιασμένο και η κασέτα μπαταρίας έχει
αφαιρεθεί πριν εκτελέσετε κάποια εργασία στο
εργαλείο.

Συναρμολόγηση της κύριας μονάδας

1. Βγάλτε τη μονάδα βάσεις και τις χειρολαβές από
το κουτί.
▶ **Εικ.3**

ΕΙΔΟΠΟΙΗΣΗ: Βεβαιωθείτε να βγάλετε τη
μονάδα βάσης και της χειρολαβές μαζί, ώστε να
μην ασκηθεί υπερβολική δύναμη στα καλώδια.

2. Τοποθετήστε το υλικό συσκευασίας κάτω από την
πίσω πλευρά της μονάδας βάσης.
▶ **Εικ.4:** 1. Υλικό συσκευασίας

3. Τοποθετήστε τους πίσω τροχούς στο πλαίσιο.
▶ **Εικ.5:** 1. Πίσω τροχός
▶ **Εικ.6:** 1. Πίσω τροχός

ΠΑΡΑΤΗΡΗΣΗ: Μπορούν να προσαρτηθούν τα
πόδια στήριξης αντί για τους πίσω τροχούς.

4. Συνδέστε το γκρόβερ και τη ροδέλα στο κοντό εξα-
γωνικό μπουλόνι και μετά σφίξτε τα χρησιμοποιώντας
το κλειδί που περιλαμβάνεται στη συσκευασία.
▶ **Εικ.7:** 1. Κοντό εξαγωνικό μπουλόνι 2. Γκρόβερ
3. Ροδέλα
▶ **Εικ.8**

ΕΙΔΟΠΟΙΗΣΗ: Βεβαιωθείτε να χρησιμοποιήσετε
τα κοντά εξαγωνικά μπουλόνια για να σφίξτε
τους πίσω τροχούς.

ΕΙΔΟΠΟΙΗΣΗ: Στερεώστε τους πίσω τροχούς
στην ίδια θέση και στις δύο πλευρές.

5. Σηκώστε τις χειρολαβές και μετά εισαγάγετέ τις
μέσα στη μονάδα βάσης.
▶ **Εικ.9**

ΕΙΔΟΠΟΙΗΣΗ: Μην αφήνετε τα καλώδια μέσα
στην περιοχή «Α» όπως απεικονίζεται στην
εικόνα. Τα μακριά αντικείμενα μπορεί να εμπλακούν
με τα καλώδια και να προκληθούν ατυχήματα.

ΕΙΔΟΠΟΙΗΣΗ: Μην ασκείτε υπερβολική δύναμη
στα καλώδια όταν σηκώνετε και εισαγάγετε τις
χειρολαβές.

ΕΙΔΟΠΟΙΗΣΗ: Βεβαιωθείτε ότι σηκώνετε τις
χειρολαβές και με τα δύο χέρια.

6. Ανοίξτε το πλαίσιο φορέα προς το μπροστινό
μέρος.
▶ **Εικ.10:** 1. Πλαίσιο φορέα

7. Ξεδιπλώστε τις χειρολαβές, μετά εισαγάγετε τα
μακριά εξαγωνικά μπουλόνια στη μονάδα βάσης και
μετά σφίξτε τα παξιμάδια με το κλειδί που περιλαμβά-
νεται στη συσκευασία.
▶ **Εικ.11:** 1. Μακρύ εξαγωνικό μπουλόνι

8. Σφίξτε τα μπουλόνια σύσφιξης από το πίσω μέρος
χρησιμοποιώντας το κλειδί που περιλαμβάνεται στη
συσκευασία.

▶ **Εικ.12:** 1. Μπουλόνι σύσφιξης

9. Σφίξτε τα κοντά εξαγωνικά μπουλόνια και από
τις δύο πλευρές χρησιμοποιώντας το κλειδί που περι-
λαμβάνεται στη συσκευασία, για να στερεώσετε τις
χειρολαβές.

▶ **Εικ.13:** 1. Κοντό εξαγωνικό μπουλόνι

ΕΙΔΟΠΟΙΗΣΗ: Μη σφίξτε τα κοντά εξαγωνικά
μπουλόνια με υπερβολική δύναμη. Σφίξτε τα με τη
σωστή δύναμη ώστε οι χειρολαβές να στερεωθούν
σταθερά.

ΕΙΔΟΠΟΙΗΣΗ: Μη συσφίγγετε τα καλώδια με τα
μπουλόνια.

10. Στερεώστε τα καλώδια με τους σφιγκτήρες.

▶ **Εικ.14:** 1. Σφιγκτήρας

11. Διπλώστε το πλαίσιο φορέα.

▶ **Εικ.15:** 1. Πλαίσιο φορέα

12. Πατήστε το κουμπί ασφάλισης ενώ τραβάτε το
μοχλό φρένου για να ασφαλίσετε το φρένο.

▶ **Εικ.16:** 1. Κουμπί ασφάλισης 2. Μοχλός φρένου

▲ ΠΡΟΣΟΧΗ: Αν είναι τοποθετημένοι οι πίσω
τροχοί, πατήστε το πεντάλ φρένου για τον πίσω
τροχό για να ασφαλίσετε τον πίσω τροχό.

13. Γαντζώστε την ασφάλιση φορέα και μετά τραβήξτε
κάτω το μοχλό ασφάλισης για να ασφαλίσετε το φορέα.

▶ **Εικ.17:** 1. Ασφάλιση φορέα 2. Μοχλός ασφάλισης

ΕΙΔΟΠΟΙΗΣΗ: Βεβαιωθείτε ότι ο μοχλός ασφάλι-
σης είναι καλά ασφαλισμένος.

ΕΙΔΟΠΟΙΗΣΗ: Μη συσφίγγετε τα καλώδια με το
μοχλό ασφάλισης.

ΠΑΡΑΤΗΡΗΣΗ: Αν συνδέσετε τα πόδια στήριξης αντί
για τους πίσω τροχούς, αφαιρέστε τους πίσω τροχούς
από τα πλαίσια και μετά συνδέστε τα πόδια στήριξης
στα πλαίσια.

▶ **Εικ.18:** 1. Πίσω τροχός 2. Πόδι στήριξης

Συναρμολόγηση και τοποθέτηση φορέα

Προαιρετικό εξάρτημα

1. Βγάλτε το φορέα από το κουτί, συνδέστε τα πλαϊνά
κάγκελα στο πλαίσιο βάσης και μετά σφίξτε τα παξιμά-
δια αντίχειρα για να στερεώσετε τα κάγκελα.
▶ **Εικ.19:** 1. Παξιμάδι αντίχειρα

2. Τοποθετήστε τον φορέα στη μονάδα βάσης και
μετά εισαγάγετε τα εξαγωνικά μπουλόνια και ροδέλες
στα πλαίσια από το πάνω μέρος. Σφίξτε τις ροδέλες και
γκρόβερ και τα πτερυγοφόρα παξιμάδια από το κάτω
μέρος για να στερεώσετε το φορέα.

▶ **Εικ.20:** 1. Μακρύ εξαγωνικό μπουλόνι 2. Κοντό
εξαγωνικό μπουλόνι 3. Ροδέλα 4. Γκρόβερ
5. Πτερυγοφόρο παξιμάδι

ΕΙΔΟΠΟΙΗΣΗ: Χρησιμοποιήστε τα μακριά μπου-
λόνια για το μπροστινό μέρος και τα κοντά μπου-
λόνια για το πίσω μέρος.

Τοποθέτηση κάδου

Προαιρετικό εξάρτημα

Τοποθετήστε τον κάδο στη μονάδα βάσης, εισαγάγετε τα εξαγωνικά μπουλόνια στα πλαίσια και μετά σφίξτε τις ροδέλες και γκρόβερ και τα πτερυγοφόρα παξιμάδια από το κάτω μέρος για να στερεώσετε τον κάδο.

- **Εικ.21:** 1. Εξαγωνικό μπουλόνι 2. Ροδέλα
3. Γκρόβερ 4. Πτερυγοφόρο παξιμάδι

ΠΕΡΙΓΡΑΦΗ ΛΕΙΤΟΥΡΓΙΑΣ

Τοποθέτηση ή αφαίρεση της κασέτας μπαταριών

▲ ΠΡΟΣΟΧΗ: Να σβήνετε πάντα το μηχάνημα πριν τοποθετήσετε ή αφαιρέσετε την κασέτα μπαταριών.

▲ ΠΡΟΣΟΧΗ: Βεβαιωθείτε να ασφαλίσετε το κάλυμμα μπαταριών πριν από τη χρήση. Διαφορετικά, η λάσπη, η σκόνη ή το νερό μπορεί να προκαλέσουν ζημιά στο προϊόν ή στην κασέτα μπαταριών.

▲ ΠΡΟΣΟΧΗ: Να τοποθετείτε πάντα την κασέτα μπαταριών πλήρως μέχρι να μη βλέπετε την κόκκινη ένδειξη. Σε αντίθετη περίπτωση, μπορεί να πέσει κατά λάθος από το μηχάνημα και να τραυματίσει εσάς ή κάποιον παρευρισκόμενο.

▲ ΠΡΟΣΟΧΗ: Μην τοποθετείτε την κασέτα μπαταριών με βία. Αν η κασέτα δεν εισέρχεται με ευκολία, δεν είναι τοποθετημένη σωστά.

▲ ΠΡΟΣΟΧΗ: Μη χρησιμοποιείτε την κασέτα μπαταριών υψηλής θερμοκρασίας. Όταν χρησιμοποιείτε κασέτα μπαταριών υψηλής θερμοκρασίας, το μηχάνημα σταματάει αυτόματα πριν παραχθεί ένας σύντομος χαρακτηριστικός ήχος, και μπορεί να προκληθεί και τραυματισμός.

Τοποθέτηση της κασέτας μπαταριών

1. Περιστρέψτε το μοχλό ασφάλισης και μετά ανοίξτε το κάλυμμα του κουτιού μπαταριών.

- **Εικ.22:** 1. Μοχλός ασφάλισης 2. Κάλυμμα

2. Ευθυγραμμίστε τη γλωττίδα στην κασέτα μπαταριών με τη σχισμή στο κουτί μπαταριών και μετά σύρετε την κασέτα μέχρι να ασφαλίσει στη θέση της με ένα χαρακτηριστικό ήχο. Αν είναι ορατή η κόκκινη ένδειξη στην επάνω πλευρά του κουμπιού, δεν έχει ασφαλίσει πλήρως η κασέτα μπαταριών.

- **Εικ.23:** 1. Κασέτα μπαταριών

3. Εισαγάγετε το κλειδί ασφάλισης στη θέση που απεικονίζεται στην εικόνα μέχρι τέρμα.

- **Εικ.24:** 1. Κλειδί ασφάλισης

ΠΑΡΑΤΗΡΗΣΗ: Αν το κλειδί ασφάλισης δεν εισαχθεί πλήρως, το μηχάνημα δεν λειτουργεί.

4. Κλείστε το κάλυμμα του κουτιού μπαταριών και μετά περιστρέψτε το μοχλό ασφάλισης.

- **Εικ.25:** 1. Μοχλός ασφάλισης 2. Κάλυμμα

Αφαίρεση της κασέτας μπαταριών

1. Περιστρέψτε το μοχλό ασφάλισης και μετά ανοίξτε το κάλυμμα του κουτιού μπαταριών.

2. Τραβήξτε έξω την κασέτα μπαταριών από το κουτί μπαταριών ενώ σύρετε το κουμπί στο μπροστινό μέρος της κασέτας.

- **Εικ.26:** 1. Κουμπί

3. Τραβήξτε προς τα έξω το κλειδί ασφάλισης.

4. Κλείστε το κάλυμμα του κουτιού μπαταριών και μετά περιστρέψτε το μοχλό ασφάλισης.

Σύστημα προστασίας μηχανήματος / μπαταρίας

Το μηχάνημα είναι εξοπλισμένο με ένα σύστημα προστασίας μηχανήματος / μπαταρίας. Αυτό το σύστημα αποκόπτει αυτόματα την ισχύ προς το μοτέρ για να παραταθεί η διάρκεια λειτουργίας του μηχανήματος και της μπαταρίας.

Το μηχάνημα θα σταματήσει αυτόματα κατά τη διάρκεια της λειτουργίας αν το μηχάνημα ή η κασέτα μπαταριών βρεθούν κάτω από μία από τις παρακάτω συνθήκες. Παράγεται ένας σύντομος χαρακτηριστικός ήχος πριν το μηχάνημα σταματήσει αυτόματα. Οι ενδείξεις μπαταρίας και οι ενδείξεις LED αναβοσβήνουν ενώ παράγεται ο χαρακτηριστικός ήχος.

Προστασία υπερφόρτωσης

Όταν το μηχάνημα λειτουργεί με τρόπο ώστε να αναγκάζεται να καταναλώνει ασυνήθιστα υψηλό ρεύμα, το μηχάνημα σταματάει αυτόματα χωρίς καμία ένδειξη. Σε αυτή την περίπτωση, σβήστε το μηχάνημα, αφαιρέστε την αιτία της υπερφόρτωσης και μετά ανάψτε ξανά το μηχάνημα για επανεκκίνηση.

Προστασία υπερθέρμανσης

Όταν το μηχάνημα υπερθερμαίνεται, το μηχάνημα σταματάει αυτόματα. Αφήστε να μειωθεί η θερμοκρασία του μηχανήματος πριν ενεργοποιήσετε ξανά το μηχάνημα. Η προστασία υπερθέρμανσης είναι πιθανό να ενεργοποιηθεί σε περιβάλλον με υψηλή θερμοκρασία.

Προστασία υπερβολικής αποφόρτισης

Όταν μειωθεί η χωρητικότητα μπαταρίας, το μηχάνημα σταματάει αυτόματα. Αν το μηχάνημα δεν τίθεται σε λειτουργία ακόμα και όταν πραγματοποιείται χειρισμός των διακοπών, βγάλτε την κασέτα μπαταριών και φορτίστε την.

Αλλαγή της κασέτας μπαταρίας

- **Εικ.27:** 1. Διακόπτης επιλογής μπαταρίας

Στο κουτί μπαταριών μπορούν να τοποθετηθούν μέχρι δύο κασέτες μπαταριών, παρότι το μηχάνημα χρησιμοποιεί μία κασέτα μπαταριών για λειτουργία. Πριν θέσετε το μηχάνημα σε λειτουργία, επιλέξτε την κασέτα μπαταριών που χρησιμοποιείτε για τη λειτουργία πατώντας τον αριθμό στο διακόπτη επιλογής μπαταριών.

ΕΙΔΟΠΟΙΗΣΗ: Αν στο κουτί μπαταριών είναι τοποθετημένη μόνο μία κασέτα μπαταριών, βεβαιωθείτε να επιλέξετε το κουτί μπαταριών στο οποίο είναι τοποθετημένη η κασέτα μπαταριών.

Ένδειξη της υπολειπόμενης χωρητικότητας μπαταρίας στο κουτί μπαταριών

ΠΡΟΣΟΧΗ: Πριν ελέγξετε τις υπολειπόμενες χωρητικότητες μπαταρίας ή αλλάξετε την κασέτα μπαταριών, βεβαιωθείτε να διακόψετε τη λειτουργία του μηχανήματος.

► **Εικ.28:** 1. Ένδειξη μπαταρίας 2. Κουμπί ελέγχου
Πιέστε το κουμπί ελέγχου για να εμφανιστεί η υπόλοιπη χωρητικότητα της μπαταρίας. Οι ενδείξεις μπαταριών αντιστοιχούν σε κάθε μπαταρία.

Κατάσταση ένδειξης μπαταριών		Υπολειπόμενη χωρητικότητα μπαταρίας
Αναμμένη	Σβηστή	
		50% - 100%
		20% - 50%
		0% - 20%
		Δεν είναι τοποθετημένη μπαταρία

ΠΡΟΣΟΧΗ: Όταν μειωθεί η χωρητικότητα μπαταρίας, παράγεται ένας σύντομος χαρακτηριστικός ήχος. Αν συνεχίσετε να χειρίζεστε το μηχάνημα με χαμηλή χωρητικότητα μπαταρίας, παράγεται ένας μακρύς χαρακτηριστικός ήχος και το μηχάνημα σταματάει αυτόματα. Όταν ακούσετε έναν σύντομο χαρακτηριστικό ήχο, τραβήξτε το μοχλό φρένου και ασφαλίστε το φρένο, μετά αλλάξτε την κασέτα μπαταριών με μία φορτισμένη ή φορτίστε την κασέτα μπαταριών. Όταν εξαντληθεί η υπολειπόμενη χωρητικότητα μπαταρίας, το μηχάνημα σταματάει ξαφνικά και αυτόματα και αυτό μπορεί να προκαλέσει τραυματισμό.

ΠΑΡΑΤΗΡΗΣΗ: Αν συνεχίσετε να τραβάτε τη σκανδάλη διακόπτη ακόμη κι αν ακούσετε έναν σύντομο χαρακτηριστικό ήχο, το μηχάνημα θα σταματήσει αυτόματα. Αφού το μηχάνημα σταματήσει αυτόματα, ο χαρακτηριστικός ήχος συνεχίζει και το φρένο στήριξης (ηλεκτρικό φρένο) ενεργοποιείται. Για να ακυρώσετε τον χαρακτηριστικό ήχο και να ελευθερώσετε το φρένο στήριξης, τραβήξτε το μοχλό φρένου και απελευθερώστε τη σκανδάλη διακόπτη. Μη στρώσετε το μηχάνημα με δύναμη, χωρίς να ελευθερώσετε το φρένο στήριξης. Αφού ελευθερώσετε το φρένο στήριξης, μπορείτε να καταλάβετε ποιο σύστημα προστασίας μπαταρίας λειτουργεί αν ελέγξετε την κατάσταση της ένδειξης μπαταριών.

► **Εικ.29:** 1. Αναμμένη 2. Αναβοσβήνει 3. Σβηστή
4. Προστασία υπερθέρμανσης 5. Προστασία υπερβολικής αποφόρτισης 6. Προστασία υπερφόρτωσης

ΠΡΟΣΟΧΗ: Αν ο χαρακτηριστικός ήχος παραχθεί κατά τη λειτουργία σε κλίση ή αν το μηχάνημα σταματήσει αυτόματα σε κλίση, μετακινήστε το μηχάνημα σε ένα ασφαλές μέρος, ασφαλίστε το φρένο και μετά αλλάξτε την κασέτα μπαταριών με μία φορτισμένη ή φορτίστε την κασέτα μπαταριών.

Αν το φορτίο είναι μεγάλο και ο χαρακτηριστικός ήχος παράγεται κατά τη λειτουργία σε κλίση ή αν το μηχάνημα σταματήσει αυτόματα σε κλίση, μη μετακινήσετε το μηχάνημα με δύναμη. Ασφαλίστε το φρένο, προσέξτε την ασφάλεια και αλλάξτε την κασέτα μπαταριών με μία φορτισμένη και μετά μετακινήστε το μηχάνημα σε ένα ασφαλές μέρος. Μειώστε το φορτίο πριν θέσετε ξανά το μηχάνημα σε λειτουργία.

ΠΑΡΑΤΗΡΗΣΗ: Μπορείτε να ελέγξετε την εναπομείνουσα χωρητικότητα μπαταρίας ακόμη κι αν το κλειδί ασφάλισης δεν έχει εισαχθεί.

Εμφάνιση υπολειπόμενης χωρητικότητας μπαταρίας

Μόνο για κασέτες μπαταρίας με την ενδεικτική λυχνία

► **Εικ.30:** 1. Ενδεικτικές λυχνίες 2. Κουμπί ελέγχου
Πιέστε το κουμπί ελέγχου στην κασέτα μπαταριών για να υποδείξετε την υπολειπόμενη χωρητικότητα μπαταρίας. Οι ενδεικτικές λυχνίες ανάβουν για λίγα δευτερόλεπτα.

Ενδεικτικές λυχνίες			Υπολειπόμενη χωρητικότητα
Αναμμένες	Σβηστές	Αναβοσβήνουν	
			75% έως 100%
			50% έως 75%
			25% έως 50%
			0% έως 25%
			Φορτίστε την μπαταρία.
			Μπορεί να προέκυψε δυσλειτουργία στην μπαταρία.

ΠΑΡΑΤΗΡΗΣΗ: Ανάλογα με τις συνθήκες χρήσης και τη θερμοκρασία περιβάλλοντος, η ένδειξη μπορεί να διαφέρει λίγο από την πραγματική χωρητικότητα.

Πίνακας ελέγχου

- **Εικ.31:** 1. Κουμπί ισχύος 2. Κουμπί εμπροσθοπορείας/όπισθεν 3. Κουμπί ταχύτητας

Για να ενεργοποιήσετε την ισχύ, πατήστε το κουμπί ισχύος για λίγα δευτερόλεπτα. Πατήστε το κουμπί εμπροσθοπορείας/όπισθεν για να αλλάξετε μεταξύ λειτουργία εμπροσθοπορείας και λειτουργία όπισθεν. Πατήστε το κουμπί ταχύτητας για να αλλάξετε μεταξύ χαμηλή ταχύτητα και υψηλή ταχύτητα. Όταν η ισχύς είναι ενεργοποιημένη, η λειτουργία εμπροσθοπορείας και η χαμηλή ταχύτητα είναι ρυθμισμένες. Για να απενεργοποιήσετε την ισχύ, πατήστε το κουμπί ισχύος για λίγα δευτερόλεπτα.

ΠΑΡΑΤΗΡΗΣΗ: Το κουμπί εμπροσθοπορείας/όπισθεν δεν διατίθεται ενώ τραβάτε τη σκανδάλη διακόπτη.

ΠΑΡΑΤΗΡΗΣΗ: Παράγεται ένας σύντομος χαρακτηριστικός ήχος όταν το μηχάνημα λειτουργεί με την όπισθεν.

ΠΑΡΑΤΗΡΗΣΗ: Το κουμπί ταχύτητα δεν διατίθεται όταν το μηχάνημα λειτουργεί με την όπισθεν.

Δράση διακόπτη και φρένου

▲ΠΡΟΕΙΔΟΠΟΙΗΣΗ: Πριν τοποθετείτε την κασέτα μπαταριών στο μηχάνημα, να ελέγχετε πάντα ότι η σκανδάλη διακόπτης ενεργοποιείται κανονικά και επιστρέφει στην ανενεργή θέση “ΑΝΕΝΕΡΓΗ θέση” όταν την αφήνετε.

Για να ξεκινήσετε το μηχάνημα, τραβήξτε τη σκανδάλη διακόπτη. Για να σταματήσετε το μηχάνημα, αφήστε τη σκανδάλη διακόπτη και τραβήξτε το μοχλό φρένου. Για να ασφαλίσετε το μοχλό φρένου, πατήστε το κουμπί ασφάλισης ενώ τραβάτε το μοχλό φρένου. Για να ελευθερώσετε την ασφάλιση, τραβήξτε το μοχλό φρένου.

► **Εικ.32:** 1. Σκανδάλη διακόπτης

► **Εικ.33:** 1. Κουμπί ασφάλισης 2. Μοχλός φρένου

Φρένο πίσω τροχού

Οι πίσω τροχοί είναι εξοπλισμένοι με φρένα. Πατήστε τα πεντάλ φρένου προς τα μπροστά για να ασφαλίσετε τα φρένα. Για να ελευθερώσετε τα φρένα, πατήστε τα πεντάλ φρένου προς τα πίσω.

► **Εικ.34:** 1. Πεντάλ

Αναμμα των μπροστινών λαμπών

Πατήστε το κουμπί λάμπας στο κουτί μπαταριών για να ανάψετε τις λάμπες. Για να σβήσετε τις λάμπες, πατήστε ξανά το κουμπί λάμπας.

► **Εικ.35:** 1. Κουμπί λάμπας 2. Λάμπα

ΠΑΡΑΤΗΡΗΣΗ: Οι λάμπες σβήνουν αν αφήσετε το μηχάνημα χωρίς επιτήρηση για περίπου 10 λεπτά.

ΠΑΡΑΤΗΡΗΣΗ: Οι λάμπες σβήνουν όταν η ισχύς είναι απενεργοποιημένη.

ΠΑΡΑΤΗΡΗΣΗ: Μπορείτε να ανάψετε τις λάμπες ακόμη κι αν το κλειδί ασφάλισης δεν έχει εισαχθεί.

Ρύθμιση του ύψους χειρολαβής

Αφαιρέστε τα κοντά εξαγωνικά μπουλόνια και μπουλόνια σύσφιξης χρησιμοποιώντας το κλειδί που περιλαμβάνεται στη συσκευασία και μετά ρυθμίστε το ύψος της χειρολαβής. Το ύψος μπορεί να ρυθμιστεί σε τρία επίπεδα. Σφίξτε τα μπουλόνια σύσφιξης και κοντά εξαγωνικά μπουλόνια για να στερεώσετε τη χειρολαβή.

► **Εικ.36:** 1. Κοντό εξαγωνικό μπουλόνι 2. Μπουλόνι σύσφιξης

ΕΙΔΟΠΟΙΗΣΗ: Στερεώστε την αριστερή και δεξιά χειρολαβή στο ίδιο ύψος.

ΕΙΔΟΠΟΙΗΣΗ: Μη σφίξετε τα κοντά εξαγωνικά μπουλόνια με υπερβολική δύναμη. Σφίξτε τα με τη σωστή δύναμη ώστε οι χειρολαβές να στερεωθούν σταθερά.

ΕΙΔΟΠΟΙΗΣΗ: Μη συσφίγγετε τα καλώδια με τα μπουλόνια.

Ρύθμιση του πλάτους του φορέα

Χαλαρώστε τα 4 παξιμάδια αντίχειρα και μετά σύρετε τα πλάινα κάγκελα. Σφίξτε τα παξιμάδια αντίχειρα για να στερεώσετε τα πλάινα κάγκελα.

► **Εικ.37:** 1. Παξιμάδι αντίχειρα 2. Κάγκελο

▲ΠΡΟΣΟΧΗ: Μη σύρετε τα κάγκελα πέρα από το σημάδι ορίου.

► **Εικ.38**

ΛΕΙΤΟΥΡΓΙΑ

Λειτουργία του μηχανήματος

ΕΙΔΟΠΟΙΗΣΗ: Σε αυτό το μηχάνημα, ο μπροστινός τροχός ηλεκτροδοτείτε με ενέργεια από την μπαταρία. Χρησιμοποιήστε αυτό το μηχάνημα για βοήθεια με εργασίες μεταφοράς.

ΕΙΔΟΠΟΙΗΣΗ: Φροντίστε να εισαγάγετε το κλειδί ασφάλισης στο κουτί μπαταριών πριν τη λειτουργία. Αν το κλειδί ασφάλισης δεν έχει εισαχθεί, παράγεται ένας σύντομος χαρακτηριστικός ήχος όταν τραβάτε τη σκανδάλη διακόπτη. Ο χαρακτηριστικός ήχος σταματάει αν αφήσετε τη σκανδάλη διακόπτη και τραβήξετε το μοχλό φρένου.

Πριν θέσετε το μηχάνημα σε λειτουργία, ελέγξτε ότι ο μοχλός φρένου λειτουργεί σωστά.

► **Εικ.39:** 1. Μοχλός φρένου

▲ΠΡΟΕΙΔΟΠΟΙΗΣΗ: Αν ο μοχλός φρένου φτάσει τη χειρολαβή όταν τραβάτε πλήρως το μοχλό, το φρένο δεν λειτουργεί σωστά. Ρυθμίστε το φρένο, ή ζητήστε επισκευές από το τοπικό σας κέντρο εξυπηρέτησης της Makita.

1. Επιλέξτε την κασέτα μπαταριών με το διακόπτη επιλογής μπαταρίας.
2. Πατήστε το κουμπί ισχύος στον πίνακα ελέγχου για λίγα δευτερόλεπτα για να ενεργοποιήσετε την ισχύ.
► **Εικ.40:** 1. Κουμπί ισχύος

3. Τραβήξτε το μοχλό φρένου για να απελευθερώσετε την ασφάλιση του μοχλού φρένου.

► **Εικ.41:** 1. Κουμπί ασφάλισης 2. Μοχλός φρένου

ΠΑΡΑΤΗΡΗΣΗ: Απελευθερώστε το φρένο πίσω τροχού αν είναι τοποθετημένοι πίσω τροχοί.

4. Κρατήστε καλά τις χειρολαβές και με τα δύο χέρια.

► **Εικ.42**

5. Τραβήξτε τη σκανδάλη διακόπτη.

► **Εικ.43:** 1. Σκανδάλη διακόπτη

Φόρτωση αντικειμένων

▲ΠΡΟΣΟΧΗ: Πριν φορτώσετε αντικείμενα στο μηχάνημα, βεβαιωθείτε ότι η ισχύς είναι απενεργοποιημένη και ο μοχλός φρένου είναι ασφαλισμένος.

▲ΠΡΟΣΟΧΗ: Αν είναι τοποθετημένοι πίσω τροχοί, βεβαιωθείτε ότι το φρένο πίσω τροχών είναι ασφαλισμένο πριν φορτώσετε αντικείμενα στο μηχάνημα.

▲ΠΡΟΣΟΧΗ: Πριν φορτώσετε αντικείμενα στο μηχάνημα, βεβαιωθείτε ότι ο φορέας ή ο κάδος είναι ασφαλισμένος.

▲ΠΡΟΣΟΧΗ: Βεβαιωθείτε να φορτώσετε τα αντικείμενα μέσα στο φορέα ή στον κάδο. Αν προεξέχουν αντικείμενα από τον φορέα ή τον κάδο, μπορεί να πέσουν ή να καταρρεύσουν αν ακουμπήσουν εμπόδια.

► **Εικ.44**

▲ΠΡΟΣΟΧΗ: Βεβαιωθείτε να φορτώνετε αντικείμενα ώστε να βρίσκονται κάτω από το επίπεδο του ματιού. Αν το φορτίο είναι πολύ υψηλό, είναι επικίνδυνο επειδή η ορατότητα εμποδίζεται. Επίσης, υπάρχει κίνδυνος ανατροπής και τραυματισμού επειδή είναι πιθανό το φορτίο να μην είναι ισορροπημένο.

► **Εικ.45**

Όταν φορτώνετε αντικείμενα στο φορέα, ασφαλίστε τα αντικείμενα με σκοινιά και δέστε τα στους γάντζους.

► **Εικ.46**

Εκφόρτωση αντικειμένων

▲ΠΡΟΣΟΧΗ: Σηκώστε το φορέα ή τον κάδο επάνω σε επίπεδο και σταθερό έδαφος. Η λειτουργία σε ασταθές έδαφος μπορεί να προκαλέσει ατύχημα ή τραυματισμό.

Μπορείτε να εκφορτώσετε τα αντικείμενα αν σηκώσετε και γείρετε τον φορέα ή κάδο.

1. Σταματήστε το μηχάνημα και μετά ασφαλίστε τα φρένα.

ΕΙΔΟΠΟΙΗΣΗ: Συνιστάται να τοποθετήσετε τάκους στον μπροστινό τροχό για να σταθεροποιήσετε το μηχάνημα.

2. Απελευθερώστε το μοχλό ασφάλισης.

3. Σταθείτε στο πλάι του μηχανήματος, κρατήστε τη χειρολαβή με το ένα χέρι και μετά σηκώστε και γείρετε το φορέα ή τον κάδο σπρώχνοντας το πλαίσιο φορέα με το άλλο χέρι.

► **Εικ.47**

▲ΠΡΟΣΟΧΗ: Κρατήστε σταθερά τη χειρολαβή και το πλαίσιο φορέα και εργαστείτε με μια σταθερή στάση.

▲ΠΡΟΣΟΧΗ: Διατηρείτε το φορτίο στο ελάχιστο. Αν το φορτίο είναι μεγάλο, μην προσπαθήσετε να σηκώσετε το φορέα. Μειώστε το φορτίο και μετά σηκώστε το φορέα.

▲ΠΡΟΣΟΧΗ: Αφού εκφορτώσετε τα αντικείμενα, βεβαιωθείτε να ασφαλίσετε τον φορέα ή τον κάδο.

ΣΥΝΤΗΡΗΣΗ

▲ΠΡΟΣΟΧΗ: Φροντίστε πάντα να σταθμεύετε το μηχάνημα σε επίπεδο έδαφος και ασφαλίστε το μοχλό φρένου πριν την αποθήκευση ή την εκτέλεση εργασιών επιθεώρησης ή συντήρησης.

▲ΠΡΟΣΟΧΗ: Αν είναι τοποθετημένοι πίσω τροχοί, βεβαιωθείτε ότι το φρένο πίσω τροχών είναι ασφαλισμένο πριν την αποθήκευση, επιθεώρηση ή συντήρηση.

▲ΠΡΟΣΟΧΗ: Να βεβαιώνετε πάντα ότι έχετε βγάλει το κλειδί ασφάλισης και την κασέτα μπαταριών από το μηχάνημα πριν από την αποθήκευση ή τις εργασίες επιθεώρησης ή συντήρησης.

▲ΠΡΟΣΟΧΗ: Να αφαιρείτε πάντα το κλειδί ασφάλισης όταν δεν χρησιμοποιείτε το μηχάνημα. Φυλάξτε το κλειδί ασφάλισης σε ένα ασφαλές μέρος μακριά από παιδιά.

Περιοδικοί έλεγχοι

• Ελέγξτε αν τα μπουλόνια και τα παξιμάδια είναι καλά σφιγμένα.

► **Εικ.48**

• Ελέγξτε ότι ο φορέας είναι ασφαλισμένος όταν ο μοχλός ασφάλισης είναι πλήρως τραβηγμένος προς τα κάτω.

► **Εικ.49:** 1. Ασφάλιση φορέα 2. Μοχλός ασφάλισης

• Ελέγξτε ότι ο μοχλός φρένου λειτουργεί σωστά.

► **Εικ.50:** 1. Μοχλός φρένου

▲ΠΡΟΕΙΔΟΠΟΙΗΣΗ: Αν ο μοχλός φρένου φτάσει τη χειρολαβή όταν τραβάτε πλήρως το μοχλό, το φρένο δεν λειτουργεί σωστά. Ρυθμίστε το φρένο, ή ζητήστε επισκευές από το τοπικό σας κέντρο εξυπηρέτησης της Makita.

• Ελέγξτε να δείτε αν ο μπροστινός τροχός είναι κατεστραμμένος ή σκασμένος. Ελέγξτε ότι επαρκεί ο αέρας στο ελαστικό του μπροστινού τροχού.

Καθαρισμός του μηχανήματος

ΕΙΔΟΠΟΙΗΣΗ: Μην χρησιμοποιείτε ποτέ βενζίνη, πετρελαϊκό αιθέρα, διαλυτικό, αλκοόλη ή παρόμοιες ουσίες. Μπορεί να προκληθεί αποχρωματισμός, παραμόρφωση ή ρωγμές.

ΕΙΔΟΠΟΙΗΣΗ: Να ρίχνετε το νερό κάτω από το επίπεδο του φορέα ή κάδο όταν καθαρίζετε το μηχανήμα με τρεχούμενο νερό. Μην χρησιμοποιείτε πλυντρίδα υψηλής πίεσης για τον καθαρισμό.

Αφαιρέστε τη λάσπη, τη βρομιά και άλλα παρόμοια από το μηχανήμα. Καθαρίστε το μηχανήμα με τρεχούμενο νερό. Μετά τον καθαρισμό, σκουπίστε το μηχανήμα με ένα στεγνό πανί.

Αποθήκευση

Βγάλετε το κλειδί ασφάλισης. Αποθηκεύστε το μηχανήμα σε ένα ασφαλές μέρος μακριά από παιδιά. Όταν αποθηκεύετε το μηχανήμα, μπορείτε να περιστρέψετε τις χειρολαβές προς τα μπροστά. Αφαιρέστε τα κοντά εξαγωνικά μπουλόνια και μπουλόνια σύσφιξης χρησιμοποιώντας το κλειδί που περιλαμβάνεται στη συσκευασία. Στρέψτε τις χειρολαβές προς τα έξω και μετά περιστρέψτε τις χειρολαβές προς τα μπροστά. Σφίξτε τα μπουλόνια σύσφιξης και κοντά εξαγωνικά μπουλόνια για να στερεώσετε τις χειρολαβές.
▶ **Εικ.51:** 1. Μπουλόνι σύσφιξης 2. Κοντό εξαγωνικό μπουλόνι

ΕΙΔΟΠΟΙΗΣΗ: Μην σφίξετε τα κοντά εξαγωνικά μπουλόνια με υπερβολική δύναμη. Σφίξτε τα με τη σωστή δύναμη ώστε οι χειρολαβές να στερεωθούν σταθερά.

ΕΙΔΟΠΟΙΗΣΗ: Μην συσφίγγετε τα καλώδια με τα μπουλόνια.

Ρύθμιση του φρένου

ΠΡΟΣΟΧΗ: Αν οι πίσω τροχοί είναι τοποθετημένοι, βεβαιωθείτε να ασφαλίσετε το φρένο πίσω τροχού πριν ρυθμίσετε το φρένο.

1. Αφαιρέστε το φορέα ή τον κάδο και μετά ανοίξτε το πλαίσιο φορέα.
▶ **Εικ.52:** 1. Πλαίσιο φορέα
2. Τραβήξτε το μοχλό φρένου για να απελευθερώσετε το κομπι ασφάλισης του μοχλού φρένου.
▶ **Εικ.53:** 1. Κομπι ασφάλισης 2. Μοχλός φρένου
3. Χαλαρώστε το χιτώνιο ρύθμισης και παξιμάδι στερέωσης.
▶ **Εικ.54:** 1. Χιτώνιο ρύθμισης 2. Παξιμάδι στερέωσης
4. Σφίξτε το παξιμάδι στερέωσης μόνο.
▶ **Εικ.55:** 1. Παξιμάδι στερέωσης
5. Χαλαρώστε το χιτώνιο ρύθμισης και παξιμάδι στερέωσης.
▶ **Εικ.56:** 1. Χιτώνιο ρύθμισης 2. Παξιμάδι στερέωσης
6. Σφίξτε το παξιμάδι στερέωσης μόνο.
▶ **Εικ.57:** 1. Παξιμάδι στερέωσης

7. Βεβαιωθείτε ότι ο μοχλός φρένου βρίσκεται στα μισά της διαδρομής όταν είναι πλήρως τραβηγμένο. Αν ο μοχλός φρένου βρίσκεται στη θέση στα μισά της διαδρομής, μεταβείτε στο βήμα 13. Αν ο μοχλός φρένου δεν βρίσκεται στη θέση στα μισά της διαδρομής, μεταβείτε στο βήμα 8.

▶ **Εικ.58:** 1. Μοχλός φρένου

8. Χαλαρώστε το παξιμάδι στερέωσης μόνο.

▶ **Εικ.59:** 1. Παξιμάδι στερέωσης

9. Σφίξτε το παξιμάδι στερέωσης και το χιτώνιο ρύθμισης μαζί.

▶ **Εικ.60:** 1. Χιτώνιο ρύθμισης 2. Παξιμάδι στερέωσης

10. Χαλαρώστε το παξιμάδι στερέωσης μόνο.

▶ **Εικ.61:** 1. Παξιμάδι στερέωσης

11. Σφίξτε το παξιμάδι στερέωσης και το χιτώνιο ρύθμισης μαζί.

▶ **Εικ.62:** 1. Χιτώνιο ρύθμισης 2. Παξιμάδι στερέωσης

12. Βεβαιωθείτε ότι ο μοχλός φρένου βρίσκεται στα μισά της διαδρομής όταν είναι πλήρως τραβηγμένο.

▶ **Εικ.63:** 1. Μοχλός φρένου

13. Διπλώστε το πλαίσιο φορέα και μετά συνδέστε το φορέα ή κάδο.

▶ **Εικ.64:** 1. Πλαίσιο φορέα

Επαναλήρωση του ελαστικού με αέρα

Ελέγξτε ότι δεν λείπει αέρας από το ελαστικό του μπροστινού τροχού. Αν ο αέρας στο ελαστικό δεν επαρκεί, γεμίστε ξανά το ελαστικό με αέρα χρησιμοποιώντας μια τρόμπα. Η συνιστώμενη πίεση ελαστικού είναι 230 kPa.
▶ **Εικ.65**

ΠΡΟΑΙΡΕΤΙΚΑ ΕΞΑΡΤΗΜΑΤΑ

ΠΡΟΣΟΧΗ: Αυτά τα εξαρτήματα ή προσαρτήματα συνιστώνται για χρήση με το εργαλείο Makita που περιγράφηκε στις οδηγίες αυτές. Η χρήση οποιωνδήποτε άλλων εξαρτημάτων ή προσαρτημάτων μπορεί να προκαλέσει κίνδυνο τραυματισμού σε άτομα. Να χρησιμοποιείτε τα εξαρτήματα ή προσαρτήματα μόνο για την χρήση που προορίζονται.

ΠΡΟΣΟΧΗ: Χρησιμοποιείτε στο μηχανήμα μόνο αξεσουάρ ή εξαρτήματα Makita. Η χρήση άλλου αξεσουάρ ή εξαρτήματος ενδέχεται να προκαλέσει σοβαρό τραυματισμό.

Εάν χρειάζεστε οποιαδήποτε βοήθεια για περισσότερες πληροφορίες σε σχέση με αυτά τα εξαρτήματα, απευθυνθείτε στο τοπικό σας κέντρο εξυπηρέτησης Makita.

- Φορέας
- Κάδος
- ΒΒοηθητικοί τροχοί
- Γνήσια μπαταρία και φορτιστής της Makita

ΠΑΡΑΤΗΡΗΣΗ: Μερικά στοιχεία στη λίστα μπορεί να συμπεριλαμβάνονται στη συσκευασία εργαλείου ως στάνταρ εξαρτήματα. Μπορεί να διαφέρουν ανάλογα με τη χώρα.

TEKNİK ÖZELLİKLER

Model:		DCU180
Boyutlar (U x G x Y)	Taşıyıcı monte edildiğinde	Çalışma sırasında: 1.315 mm x 1.060 mm x 900 mm Depolandığında: 1.110 mm x 820 mm x 820 mm
	Tekne monte edildiğinde	Çalışma sırasında: 1.310 mm x 820 mm x 900 mm Depolandığında: 1.110 mm x 820 mm x 820 mm
Seyahat hızı	İleri	1,5 veya 3,5 km/h
	Geri	1,0 km/h
Minimum dönüş yarıçapı		1.075 mm (Eksen olarak ön tekerlekle dönerken dış çap)
Maksimum tırmanma kapasitesi		12°
Maksimum yük kapasitesi		130 kg
Fren	Ön tekerlek	Telli diskli fren
	Arka tekerlek	Pedalı sabit
Lastik	Ön tekerlek	İç lastiksiz lastik
	Arka tekerlek	Kendinden sızdırmaz lastik
Nominal voltaj		D.C. 18 V
Net ağırlık	Taşıyıcı monte edildiğinde	45 kg
	Tekne monte edildiğinde	39 - 40 kg

- Sürekli yapılan araştırma ve geliştirmelerden dolayı, burada belirtilen özellikler önceden bildirilmeksizin değiştirilebilir.
- Özellikler ve batarya kartuşu ülkeden ülkeye değişebilir.
- Ağırlık, ekli aksesuar/aksesuarlara ve batarya kartuşuna bağlı olarak farklılık gösterebilir. EPTA-Prosedürü 01/2014'e göre en hafif ve en ağır kombinasyonlar tabloda verilmiştir.

Geçerli batarya kartuşu ve şarj aleti

Batarya kartuşu	BL1815N / BL1820 / BL1820B / BL1830 / BL1830B / BL1840 / BL1840B / BL1850 / BL1850B / BL1860B
Şarj aleti	DC18RC / DC18RD / DC18RE / DC18SD / DC18SE / DC18SF

- Yukarıda listelenen batarya kartuşlarının ve şarj aletlerinin bazıları yaşadığınız bölgeye bağlı olarak mevcut olmayabilir.

UYARI: Sadece yukarıda listelenen batarya kartuşlarını ve şarj aletlerini kullanın. Başka batarya kartuşlarının ve şarj aletlerinin kullanılması yaralanma ve/veya yangına neden olabilir.

Semboller

Aşağıdakiler makineniz için kullanılan semboller göstermektedir. Kullanmadan önce manalarını anladığınızdan emin olunuz.



Kullanma kılavuzunu okuyun.



Ni-MH
Li-Ion

Sadece AB ülkeleri için Elektrik donanımını ve batarya kutusunu evsel atıklarla birlikte bertaraf etmeyiniz! Atık Elektrikli ve Elektronik Donanımlar, Piller ve Akümülatörler ve Atık Piller ve Akümülatörler konusundaki Avrupa Direktifleri ve bunların ulusal yasalara uygulamaları uyarınca, kullanım ömürleri biten elektrikli donanımların, pillerin ve pil takım(lar)ının ayrı toplanmaları ve çevreye uyumlu bir geri dönüşüm tesisine getirilmeleri gereklidir.



Kolu sonuna kadar aşağı çekin ve taşıyıcı veya teknenin kilitti olduğundan emin olun.



Dik yokuşlarda yön değiştirmeyin.



Cisimleri düz zeminde yükleyin ve boşaltın.



Cisimleri taşıyıcı veya tekneye eşit olacak şekilde yükleyin.



Bu makine umuma açık yollarda kullanılamaz.



İnsan taşımak için kullanmayın.



Yağmura maruz bırakmayın.



Bip sesini iptal etmek için anahtar tetiği bırakın ve fren kolunu çekin.



İşına bakmayın.

Kullanım amacı

Makine, batarya tahrikli destekle cisimleri yüklemek ve taşımak amacıyla tasarlanmıştır.

Gürültü

Tipik A-ağırlıklı gürültü düzeyi (EN62841 standardına göre belirlenen):

Ses basınç seviyesi (L_{pA}): 70 dB (A) veya daha az Belirsizlik (K): 3 dB (A)

İşlem sırasında gürültü seviyesi 80 dB (A)'yi geçebilir.

NOT: Beyan edilen gürültü emisyonu değer(ler)i bir standart test yöntemine uygun şekilde ölçülmüştür ve bir aleti bir başkasıyla karşılaştırmak için kullanılabilir.

NOT: Beyan edilen gürültü emisyonu değer(ler) i bir ön maruz kalma değerlendirmesi olarak da kullanılabilir.

UYARI: Kulak koruyucuları takın.

UYARI: Elektrikli aletin gerçek kullanımı sırasındaki gürültü emisyonu, aletin kullanım biçimlerine, özellikle işlenen iş parçasının türüne bağlı olarak beyan edilen değer(ler)den farklı olabilir.

UYARI: Gerçek kullanım koşullarındaki tahmini maruziyeti baz alan, operatörü koruyacak güvenlik önlemlerini mutlaka belirleyin (çalışma döngüsü içerisinde aletin kapalı olduğu ve aktif durumda olmasının yanı sıra boşta çalıştığı zamanlar gibi, bütün zaman dilimleri göz önünde bulundurarak).

Titreşim

Titreşim toplam değeri (üç eksenli vektör toplamı) (EN62841 standardına göre hesaplanan):

Çalışma modu: yüksüz çalışma

Titreşim emisyonu (a_w): 2,5 m/s² den az

Belirsizlik (K) : 1,5 m/s²

NOT: Beyan edilen titreşim toplam değer(ler)i bir standart test yöntemine uygun şekilde ölçülmüştür ve bir aleti bir başkasıyla karşılaştırmak için kullanılabilir.

NOT: Beyan edilen titreşim toplam değer(ler)i bir ön maruz kalma değerlendirmesi olarak da kullanılabilir.

UYARI: Elektrikli aletin gerçek kullanımı sırasındaki titreşim emisyonu, aletin kullanım biçimlerine, özellikle işlenen iş parçasının türüne bağlı olarak beyan edilen değer(ler)den farklı olabilir.

UYARI: Gerçek kullanım koşullarındaki tahmini maruziyeti baz alan, operatörü koruyacak güvenlik önlemlerini mutlaka belirleyin (çalışma döngüsü içerisinde aletin kapalı olduğu ve aktif durumda olmasının yanı sıra boşta çalıştığı zamanlar gibi, bütün zaman dilimleri göz önünde bulundurarak).

EC Uygunluk Beyanı

Sadece Avrupa ülkeleri için

EC uygunluk beyanı bu kullanım kılavuzuna Ek A olarak eklenmiştir.

GÜVENLİK UYARILARI

Genel elektrikli alet güvenliği uyarıları

UYARI: Bu elektrikli aletle birlikte sunulan tüm güvenlik uyarılarını, talimatları, çizimleri ve teknik özellikleri okuyun. Aşağıda verilen talimatlara uyulmaması elektrik şoku, yangın ve/veya ciddi yaralanmalar ile sonuçlanabilir.

Tüm uyarıları ve talimatları iletide başvurmak için saklayın.

Uyarılardaki "elektrikli alet" terimi ile ya prizden çalışan (kordonlu) elektrikli aletiniz ya da kendi aküsü ile çalışan (kordonsuz) elektrikli aletiniz kastedilmektedir.

Akülü el arabası güvenlik uyarıları

- Makineyi kullanırken daima kaymaz ve koruyucu ayakkabı giyin.** Kaymaz, kapalı topuklu güvenlik botları ve ayakkabıları yaralanma riskini azaltır.
- Cisimleri/malzemeleri taşımadan önce yolu kontrol edin.** Yolu tanımak ve yük altındaki makineyi güvenli bir şekilde sürmek için yeterince geniş olduğundan emin olmak makinenin kontrolünü kaybetmeyi azaltmaya yardımcı olur.
- Kaygan, oynak ve dengesiz arazide çok dikkatli olun.** Islak çimenlik alanlar, kar veya buz gibi ıslak ve kaygan yüzeyler ile kum veya çakıllı yüzeyler gibi dengesiz arazi makinenin çekiş gücünü kaybetmesine neden olabilir ve manevra yeteneğini, frenleme ve dengeyi olumsuz etkileyebilir.
- Makineyi aşırı dik yokuşlarda kullanmayın.** Bu, yaralanma ile sonuçlanabilecek kontrol kaybı, kayma ve düşme riskini azaltır. Önerilen maksimum eğim ve yan eğimden daha eğimli yokuşlar dengesizlik riskini artırabilir ve güvenli bir şekilde durma yeteneğini olumsuz etkileyebilir.
- Yokuşlarda çalışırken daima yere sağlam basın, her zaman yokuş cephesinde yanlamasına çalışın, asla yokuş aşağı veya yukarı çalışmayın ve yön değiştirirken çok dikkatli olun.** Bu, yaralanma ile sonuçlanabilecek kontrol kaybı, kayma ve düşme riskini azaltır.
- Mümkün olan her durumda durmak, yükleme ve boşaltma yapmak için düz alanları kullanın ve makineyi yokuşta asla gözetimsiz bırakmayın.** Makine yokuşta dururken, düz zeminde dururkenine göre daha dengesizdir.
- Yokuşlarda dururken makineyi yokuş yukarı veya yokuş aşağı bırakın ve frensiz tekerleklerle takoz koyun.** Makine yokuşta yanlamasına dururken daha az dengelidir. Frensiz tekerlekler, özellikle nakil tekerleği tipinde olanlar, potansiyel olarak dönebilir ve ön tekerlek park freni çekili olsa bile yokuş aşağı gidebilir.

8. **Makineyi gözetimsiz bırakırken makine güvenli durdurma alanına alınca park frenini çekin.** Park freni ön tekerleğin istenmeyen hareketini engeller ve dengeyi artırabilir.
 9. **Rampaların temiz, güçlü ve emniyetli olduğundan emin olun.** Yaralanma riskini azaltmak için tüm rampalar oynak döküntülerden temiz olmalı ve üzerinden geçmesi beklenen yüklerin ağırlığına dayanabilecek kadar güçlü olmalıdır. Yük altında bel vermeleri ve bir taraftan diğer tarafa hareketi ortadan kaldırmak için atlarında ve her iki tarafında yeterli blokama mevcut olmalıdır. Tüm rampalar, üzerlerinde yükleri taşırken yere sağlam basmayı sağlayacak kadar geniş olmalıdır.
 10. **Yükü boşaltmıyorken ve makineyi depolarken teknenin aşağıda ve tekne ile boşaltma kapaklarından emniyetli bir şekilde mandallanmış olduğundan emin olun.** Mandallı açık tekneler veya boşaltma kapakları beklenmedik şekilde açılabilir veya kayabilir.
 11. **Açık alanlarda korkuluk etekleri veya korkuluklar olmadan rampaları uzatmaktan kaçının.** Yüksek açık alanlar ve açık çukurlar kazara düşmelere davetiye çıkarılır ve ciddi yaralanma potansiyelini artırır. Makinenin rampanın dışına sürülmesini engellemek için açık alanların üzerindeki rampalarda korkuluk etekleri veya korkuluklar kullanın.
 12. **Kullanmadan önce tüm sabitleme vidalarını iyice sıkıldıklarını kontrol edin.** Arka tekerleklerdeki ve açık tip taşıyıcı ön ve yan duvarlarındaki sabitleme vidaları, makinenin bu ayarlanabilir parçalarının istenmeyen hareketini engellemek için sabitlenmelidir.
 13. **Makineyi fazla yüklü durumda asla kullanmayın.** Makinenin taşınacak cisimler veya malzemeler için uygun kapasite değerine sahip olduğundan emin olun. Fazla yükler makinenin manevra yapmasını ve durmasını zorlaştırır, durma süresini ve mesafesini artırır ve dengelessizlik riskini artırır.
 14. **Makineyi hiçbir zaman fazla istiflenmiş durumda kullanmayın.** Tablanın kenar yüksekliğini geçecek veya tablanın kenarlarından sarkacak şekilde malzeme istiflenmesi makinenin kontrol edilemeyecek şekilde denge ve kontrol dışına çıkmasına neden olabilir.
 15. **Yükleri sabitlemek için kaplar ve bağlama tertibatı kullanın.** Oynak ve/veya sabitlenmemiş yüklerin kayma olasılığı daha fazla olup denge ve kontrol kaybına neden olabilir.
 16. **Tutamakları daima sıkıca tutun.** Kontrol kaybı yaralanma riskini artırabilir.
 17. **Güvenlik anahtarını kullanımda değilken çıkarın.** Güvenlik anahtarı makinenin çocuklar veya diğer eğitimlisiz ya da yetkisiz kişilerce istenmeyen, tahriikli kullanımını engeller. Anahtar olmadan elektrik gücü "açık" duruma getirilemez.
 18. **Bu makine umuma açık yollarda kullanılamaz.** El arabasının umuma açık yollarda kullanılması yasalara aykırıdır ve yerel yargı cezalarına yol açabilir ve ilaveten yaralanmaya neden olabilir.
 19. **Bu makineyi nakletmek için yüklerken ve/veya indirirken ya da bu makineyi farklı seviyeler arasında taşırken kaymaz ve ayrılma önleme işlevli sağlam bir plaka kullanın.** Plaka eğiminin 12°'yi geçmediğinden emin olun ve makine üzerinde yavaş ve dikkatli bir şekilde işlem yapın. Dengesiz ve hızlı işlem, devrilme ve/veya düşmeye neden olabilir.
 20. **Bu makineyi parçalarına ayırmayın, onarmayın veya modifiye etmeyin.**
- Kullanım**
1. **Makineyi kullanırken makinenin arkasında durun ve tutamakları sıkıca tutun.**
 2. **Makineyi, üzerine binerek kullanmayın.**
 3. **Makineye başka kişilerin binmesine izin vermeyin.**
 4. **Makineyi geri geri kullanırken veya arkaya doğru yürürken arkanıza dikkat edin ve kayma veya tökezlemeye karşı dikkatli olun.**
 5. **Cisimlere çarpma riski olduğundan görüş zayıfca makineyi kullanmayın.**
 6. **Makineyi engebeli zeminde kullanırken hızı düşürün ve dikkatli olun.**
 7. **Makineyi kullanırken banketin çökmesinden dolayı devrilme engellemek için yumuşak zeminden kaçının.**
 8. **Makineyi, yukarı eğimi 12°'nin üzerinde olan yokuşlarda kullanmayın.**
 9. **Herhangi bir anormallik tespit ederseniz makineyi düz bir zeminde durdurun. Makineyi kontrol etmeden önce fren kolunu çekerek freni kilitleyin ve daha sonra gücü kapatın.**
 10. **Makineyi kullanmadan önce kilitleme kolunun sonuna kadar aşağı indirilerek tamamen kilitlendiğinden emin olun.** Kilit yarım kalırsa yokuş aşağı giderken taşıyıcı veya teknenin yatarak cisimlerin düşmesi sonucu kaza veya yaralanma riski vardır.
 11. **Kablolari yük veya cisimlere dolaştırmamaya dikkat edin.**
- Yokuşlarda kullanım**
1. **Yokuşları aşmayın.**
 2. **Mutlaka hızı düşürün ve dikkatli olun.**
 3. **Makineyi yokuşlarda başlatırken veya durdururken dikkatli olun.**
 4. **Yükler yokuşlarda daha az dengeli hale geldiğinden yükleri halatlarla sıkıca sabitleyin.**
 5. **Yolun durumuna bağlı olarak makine dengelessiz hale geldiğinden yükü minimumda tutun.**
 6. **Yokuşlarda görüş engellendiğinden yükün yüksekliğini minimumda tutun.**
 7. **Makineyi dik yokuşlarda park etmeyin. Makineyi düz bir zemine park edin, fren kolunu çekerek freni kilitleyin ve daha sonra gücü kapatın.**
 8. **Dik yokuşlarda yön veya hız modu değiştirmeyin.**
 9. **Yukarı yönlü yokuşlarda anahtar tetiği bırakmayın.** Makine geriye giderek kazaya neden olabilir.
 10. **Yokuşlarda çalışma yapmadan önce kalan batarya kapasitesinin yeterli olduğunu kontrol edin. Kalan batarya kapasitesi yeterli değilse bataryayı şarj edin veya şarjlı bir batarya ile değiştirin.**
- Cisimlerin yüklenmesi**
1. **Cisimleri aşırı yüklemeyin. Cisimleri yüklerken kılavuzdaki talimatlara ve yük sınırlarına mutlaka uyun.**
 2. **Cisimleri halatlarla sıkıca sabitleyin.**

3. **Cisimleri taşıyıcı veya tekneye yükleyin.** Cisimler taşıyıcı veya teknenin dışına çıkarsa cisimlerin düşmesi veya duvarlar gibi engellere takılması sonucu kaza riski vardır.
4. **Yüklenen cisimlerin göz hizasının altında kaldığından emin olun.** Yük çok yüksek olursa görüşü engellediğinden tehlike oluşturur. Ayrıca yük muhtemelen dengeyi olacağından devrilme ve yaralanma riski söz konusudur.
5. **Cisimleri taşıyıcı veya tekneye eşit olacak şekilde yükleyin.** Yükler eşit olacak şekilde yüklenmezse, yük muhtemelen dengeyi olacağından devrilme ve yaralanma riski söz konusudur.
6. **Cisimleri yüklemeyen veya makineyi kullanmadan önce kilitleme kolunun sonuna kadar aşağı indirilerek tamamen kilitlendiğinden emin olun.**
7. **Dengeyi korumak için ilk önce mutlaka ağır cisimleri yükleyin.**
8. **Dik yokuşlarda ön ve yan rayları genişletmeyin.** Yan rayları, hafif cisimler yüklendiğinde genişletin.
9. **Ön ve yan rayları genişletirken bunları genişletme sınırını geçmeyecek şekilde genişletin.** Yan rayları mutlaka sağ ve sol taraflar aynı uzunlukta olacak şekilde genişletin ve cisimleri eşit olacak biçimde yükleyin.
10. **Cisimleri düz zeminde yükleyin ve boşaltın.**
11. **Taşıyıcı veya tekneyi kaldırırcan ve yatırırcan tutamakları ve şaseyi sıkıca tutun ve vücudunuz dengede çalışsın.**

Bakım

1. **Depolamadan veya kontrol veya bakım yapmaya kalkışmadan önce mutlaka makineyi düz bir zemine park edin ve fren kolunu kilitleyin.**

BU TALİMATLARI SAKLAYIN.

⚠UYARI: Ürünü kullanırken (defalarca kullanınca kazanılan) rahatlık ve tanıdıklık duygusunun ilgili ürünün güvenlik kurallarına sıkı sıkıya bağlı kalmanızı yerine geçmesine İZİN VERMEYİN. **YANLIŞ KULLANIM** veya bu kullanma kılavuzunda belirtilen emniyet kurallarına uymama ciddi yaralanmaya neden olabilir.

Batarya kartuşu hakkında önemli güvenlik talimatları

1. **Batarya kartuşunu kullanmadan önce, tüm talimatları ve (1) batarya kartuşu, (2) batarya ve (3) ürün üzerindeki tüm uyarı işaretlerini okuyun.**
2. **Batarya kartuşunu demonte etmeyin.**
3. **Çalışma süresi aşırı derecede kısalmışsa kullanmayı derhal bırakın.** Aşırı ısınma, yanma riski hatta patlamaya neden olabilir.
4. **Gözünüze elektrolit kaçarsa, gözlerinizi temiz suyla durulayın ve hemen tıbbi yardım alın.** Görme kaybına yol açabilir.
5. **Batarya kartuşuna kısa devre yaptırmayın:**
 - (1) **Terminaller herhangi bir iletken madde değıdirmeyin.**
 - (2) **Batarya kartuşunu çiviler, madeni paralar, vb. gibi başka metal nesnelere aynı kaba koymaktan kaçının.**
 - (3) **Batarya kartuşunu yağmura ya da suya maruz bırakmayın.**

6. **Kısa devre, büyük bir akım akışına, aşırı ısınmaya, olası yanıklara hatta bataryanın bozulmasına yol açabilir.**
7. **Aleti ve batarya kartuşunu sıcaklığın 50°C ya da daha yükseğe ulaştığı yerlerde saklamayın.**
8. **Aşırı derecede hasar görmüş ya da tamamen kullanılamaz durumda olsa bile batarya kartuşunu yakmayın.** Batarya kartuşu ateşe atılırsa patlayabilir.
9. **Bataryayı düşürmemeye ve çarpmamaya dikkat edin.**
10. **Hasarlı bataryayı kullanmayın.**
11. **Aletin içerdığı lityum-iyon bataryalar Tehlikeli Eşyalar Yönetmeliğinin gereksinimlerine tabidir.** Ticari nakliye işlemleri için, örneğin üçüncü taraflar, nakliye acenteleri tarafından yapılan nakliyelerde, paketleme ve etiketleme gereksinimleri uyulmalıdır. Nakliyesi yapılacak ürünün hazırlanması için, tehlikeli maddeler konusunda uzman bir kişiye danışın. Lütfen muhtemelen daha ayrıntılı olan ulusal yönetmeliklere de uyun. Açık kontakları bantlayın ya da maskeleyin ve bataryayı paketin içinde hareket etmeyecek şekilde paketleyin.
12. **Bataryanın elden çıkarılması ile ilgili yerel düzenlemelere uyunuz.**
13. **Bataryaları sadece Makita tarafından belirtilen ürünlerle kullanın.** Bataryaların uyumsuz ürünlere takılması; yangın, aşırı ısınma, patlama ya da elektrolit sızıntısına neden olabilir.

BU TALİMATLARI MUHAFAZA EDİNİZ.

⚠DİKKAT: Sadece orijinal Makita bataryalarını kullanın. Orijinal olmayan Makita bataryaları ya da üzerine değişiklik yapılmış bataryaların kullanımı bataryanın patlamasına ve sonuç olarak yangın, kişisel yaralanma ve hasara neden olabilir. Ayrıca Makita aleti ve şarj aletinin Makita tarafından sunulan garantisi de geçersiz olur.

Maksimum batarya ömrü için ipuçları

1. **Batarya kartuşunu tamamen boşalmadan önce şarj edin.** Aletin gücünün zayıflamaya başladığını fark ettiğinizde aleti durdurun ve batarya kartuşunu şarj edin.
2. **Tam dolu bir batarya kartuşunu asla yeniden şarj etmeyin.** Aşırı şarj etme bataryanın hizmet ömrünü kısaltır.
3. **Batarya kartuşunu 10°C - 40°C oda sıcaklığında şarj edin.** Sıcak bir batarya kartuşunu şarj etmeden önce soğumasını bekleyin.
4. **Uzun bir süre (altı aydan daha fazla) kullanmadığınız durumlarda batarya kartuşunu şarj edin.**

PARÇALARIN TANIMI

Parça adları (taşıyıcı monte edildiğinde)

► Şek.1

1	Kumanda paneli	2	Tutamak
3	Anahtar tetik	4	Batarya kutusu
5	Ön tekerlek fren kolu	6	Arka tekerlek
7	Arka tekerlek fren pedalı	8	Lamba
9	Ön tekerlek	10	Taşıyıcı

Parça adları (tekne monte edildiğinde)

► Şek.2

1	Kumanda paneli	2	Tutamak
3	Anahtar tetik	4	Batarya kutusu
5	Ön tekerlek fren kolu	6	Arka tekerlek
7	Arka tekerlek fren pedalı	8	Lamba
9	Ön tekerlek	10	Tekne

MONTAJ

⚠ DİKKAT: Makine üzerinde herhangi bir işlem yapmadan önce mutlaka makinenin kapalı ve batarya kartuşunun çıkartılmış olduğundan emin olun.

Ana ünite montajı

1. Kaide ünitesini ve tutamakları kutudan çıkarın.

► Şek.3

ÖNEMLİ NOT: Kablo'lara aşırı güç uygulanması için kaide ünitesini ve tutamakları mutlaka birlikte çıkarın.

2. Ambalaj malzemesini kaide ünitesinin arka tarafının altına yerleştirin.

► Şek.4: 1. Ambalaj malzemesi

3. Arka tekerlekleri şaseye takın.

► Şek.5: 1. Arka tekerlek

► Şek.6: 1. Arka tekerlek

NOT: Arka tekerleklerin yerine destek ayakları takılabilir.

4. Kısa altı köşe başlı civataya yaylı rondela ve pulu geçirin, daha sonra bunları pakette verilen anahtarla sıkın.

► Şek.7: 1. Kısa altı köşe başlı civata 2. Yaylı rondela 3. Pul

► Şek.8

ÖNEMLİ NOT: Arka tekerlekleri sıkmak için kısa altı köşe başlı civataları kullandığınızdan emin olun.

ÖNEMLİ NOT: Arka tekerlekleri her iki tarafta aynı konumda sabitleyin.

5. Tutamakları kaldırın ve daha sonra bunları kaide ünitesine sokun.

► Şek.9

ÖNEMLİ NOT: Kabloların şekilde "A" ile gösterilen alana girmesine izin vermeyin. Uzun cisimler kablolarla dolanarak kazalara neden olabilir.

ÖNEMLİ NOT: Tutamakları kaldırırken ve sokarken kablolarla aşırı güç uygulamayın.

ÖNEMLİ NOT: Tutamakları mutlaka her iki elle kaldırın.

6. Taşıyıcı şasesini öne doğru açın.

► Şek.10: 1. Taşıyıcı şasesi

7. Tutamakları açın, daha sonra uzun altı köşe başlı civataları kaide ünitesine sokun ve ardından somunları pakette verilen anahtarla sıkın.

► Şek.11: 1. Uzun altı köşe başlı civata

8. Omuzlu civataları arkadan, pakette verilen anahtarla sıkın.

► Şek.12: 1. Omuzlu civata

9. Kısa altı köşe başlı civataları her iki taraftan, pakette verilen anahtarla sıkarak tutamakları sabitleyin.

► Şek.13: 1. Kısa altı köşe başlı civata

ÖNEMLİ NOT: Kısa altı köşe başlı civataları aşırı güçle sıkmayın. Tutamaklar sabit şekilde tutturulacak şekilde uygun güçle sıkın.

ÖNEMLİ NOT: Kabloları civatalarla sıkıştırmayın.

10. Kabloları kelepçelerle sabitleyin.

► Şek.14: 1. Kelepçe

11. Taşıyıcı şasesini katlayın.

► Şek.15: 1. Taşıyıcı şasesi

12. Freni kilitlemek için fren kolunu çekerken kilitleme düğmesine basın.

► Şek.16: 1. Kilitleme düğmesi 2. Fren kolu

⚠ DİKKAT: Arka tekerlekler monte edildiyse arka tekerlek fren pedalına basarak arka tekerleği kilitleyin.

13. Taşıyıcı kilidini aşın ve daha sonra kilitleme kolunu aşağı çekerek taşıyıcıyı kilitleyin.

► Şek.17: 1. Taşıyıcı kilidi 2. Kilitleme kolu

ÖNEMLİ NOT: Kilitleme kolunun güvenli bir şekilde kilitletiğinden emin olun.

ÖNEMLİ NOT: Kabloları kilitleme koluyla sıkıştırmayın.

NOT: Arka tekerleklerin yerine destek ayakları takılacaksa arka tekerlekleri şaselerden çıkarın ve daha sonra destek ayaklarını şaselere takın.

► Şek.18: 1. Arka tekerlek 2. Destek ayağı

Taşıyıcının birleştirilmesi ve monte edilmesi

İsteğe bağlı aksesuar

1. Taşıyıcıyı kutudan çıkarın, yan rayları kaide şasesine takın ve daha sonra papatya somunları sıkarak rayları sabitleyin.

► **Şek.19:** 1. Papatya somun

2. Taşıyıcıyı kaide ünitesine yerleştirin ve daha sonra altı köşe başlı civataları ve pulları şaseselere üstten sokun. Pullar ve yaylı rondelalar ile kelebek somunları alttan sıkarak taşıyıcı sabitleyin.

► **Şek.20:** 1. Uzun altı köşe başlı civata 2. Kısa altı köşe başlı civata 3. Pul 4. Yaylı rondela 5. Kelebek somun

ÖNEMLİ NOT: Uzun civataları ön, kısa civataları arka için kullanın.

Teknenin monte edilmesi

İsteğe bağlı aksesuar

Tekneyi kaide ünitesine yerleştirin, altı köşe başlı civataları şaseselere sokun ve pullar ve yaylı rondelalar ile kelebek somunları alttan sıkarak tekneyi sabitleyin.

► **Şek.21:** 1. Altı köşe başlı civata 2. Pul 3. Yaylı rondela 4. Kelebek somun

İŞLEVSEL NİTELİKLER

Batarya kartuşunun takılması ve çıkarılması

⚠ DİKKAT: Batarya kartuşunu takip çıkarmadan önce makineyi mutlaka kapatın.

⚠ DİKKAT: Kullanmadan önce batarya kapağını kilitlediğinizden emin olunuz. Aksi takdirde; çamur, kir veya su ürüne ya da batarya kartuşuna zarar verebilir.

⚠ DİKKAT: Batarya kartuşunu daima kırmızı gösterge görülemeyene dek tam olarak takın. Aksi takdirde, makineden kayıp düşebilir ve operatörün veya çevredeki kişilerin yaralanmasına neden olabilir.

⚠ DİKKAT: Batarya kartuşunu zorlayarak takmaya çalışmayın. Kartuş kolayca kaymıyorsa doğru yerleştirilmemiş demektir.

⚠ DİKKAT: Yüksek sıcaklıklı batarya kartuşu kullanmayın. Yüksek sıcaklıklı batarya kartuşu kullanıldığında makine, kısa bir bip sesi çıkmadan otomatik olarak durabilir ve yaralanmaya neden olabilir.

Batarya kartuşunun takılması

1. Kilitleme kolunu çevirin ve daha sonra batarya kutusunun kapağını açın.

► **Şek.22:** 1. Kilitleme kolu 2. Kapak

2. Batarya kartuşunun üzerindeki dili batarya kutusundaki yuva ile aynı hizaya getirin ve daha sonra küçük bir tık sesi ile yerine kilitlemene dek kartuşu sokun. Düğmenin üst tarafında bulunan kırmızı göstergeli görüyorsanız, batarya kartuşu tam olarak kilitlememiştir.

► **Şek.23:** 1. Batarya kartuşu

3. Kilit anahtarını şekilde gösterilen yere sonuna kadar girecek şekilde takın.

► **Şek.24:** 1. Kilit anahtarı

NOT: Kilit anahtarı sonuna kadar sokulmazsa makine çalışmaz.

4. Batarya kutusunun kapağını kapatın ve daha sonra kilitleme kolunu çevirin.

► **Şek.25:** 1. Kilitleme kolu 2. Kapak

Batarya kartuşunun çıkarılması

1. Kilitleme kolunu çevirin ve daha sonra batarya kutusunun kapağını açın.

2. Kartuşun ön kısmındaki düğmeyi kaydırırken batarya kartuşunu bataryadan çekip çıkarın.

► **Şek.26:** 1. Düşme

3. Kilit anahtarını çekip çıkarın.

4. Batarya kutusunun kapağını kapatın ve daha sonra kilitleme kolunu çevirin.

Makine / batarya koruma sistemi

Makine bir makine/batarya koruma sistemi ile donatılmıştır. Bu sistem makine ve batarya ömrünü uzatmak için motorun gücünü otomatik olarak keser. Makine veya batarya kartuşu aşağıdaki koşullardan birinde ise çalışırken makine otomatik olarak durur. Makine otomatik olarak durmadan önce kısa bir bip sesi çıkar. Batarya göstergeleri ve LED göstergeler, bip sesi çıkarken yanıp söner.

Aşırı yük koruması

Makine, anormal derecede yüksek akım çekmesine neden olacak şekilde çalıştırıldığında makine hiçbir gösterge olmadan otomatik olarak durur. Bu durumda makineyi kapatın ve aşırı yükün sebebini ortadan kaldırın ve daha sonra makineyi açarak yeniden başlatın.

Aşırı ısınma koruması

Makine aşırı ısındığında makine otomatik olarak durur. Makineyi yeniden açmadan önce soğumasını bekleyin. Aşırı ısınma korumasının yüksek sıcaklıklı ortamda çalışması mümkündür.

Aşırı deşarj koruması

Batarya kapasitesi düştüğünde makine otomatik olarak durur. Düğmeler kullanıldığında bile makine çalışmazsa batarya kartuşunu çıkarın ve şarj edin.

Batarya kartuşunun seçilmesi

► Şek.27: 1. Batarya seçme düğmesi

Makine çalışma için sadece tek bir batarya kartuşu kullanılmasına rağmen batarya kutusuna ikiye kadar batarya kartuşu takılabilir. Makineyi çalıştırmadan önce batarya seçme düğmesi üzerindeki rakama basarak çalışma için kullanılacak batarya kartuşunu seçin.

ÖNEMLİ NOT: Batarya kutusuna sadece tek bir batarya takılıysa mutlaka batarya kartuşunun takılı olduğu batarya kutusunu seçin.

Kalan batarya kapasitesinin batarya kutusunda gösterilmesi

⚠ DİKKAT: Kalan batarya kapasitelerini kontrol etmeden veya diğer batarya kartuşuna geçmeden önce makineyi mutlaka durdurun.

► Şek.28: 1. Batarya göstergesi 2. Kontrol düğmesi

Kalan batarya kapasitesini göstermesi için kontrol düğmesine basın. Batarya göstergelerinin her biri bir bataryaya karşılık gelir.

Batarya göstergesi durumu		Kalan batarya kapasitesi
■ Açık	□ Kapalı	
		%50 - %100
		%20 - %50
		%0 - %20
		Batarya takılı değil

⚠ DİKKAT: Batarya kapasitesi düştüğünde kısa bir bip sesi çıkar. Makineyi düşük batarya kapasitesi ile kullanmaya devam ederseniz uzun bir bip sesi çıkar ve makine otomatik olarak durur. Kısa bip sesini duyduğunuzda fren kolunu çekerek freni kilitleyin ve daha sonra batarya kartuşunu şarjlı olanla değiştirin veya batarya kartuşunu şarj edin. Kalan batarya kapasitesi tükendiğinde makine otomatik olarak aniden durur ve bu yaralanmaya neden olabilir.

NOT: Kısa bip sesini duyduğunuz halde anahtar tetiği çekmeye devam ederseniz makine otomatik olarak durur. Makine otomatik olarak durduktan sonra bip sesi devam eder ve destek freni (elektrikli fren) devreye sokulur. Bip sesini iptal etmek ve destek frenini bırakmak için fren kolunu çekin ve anahtar tetiği bırakın. Destek frenini bırakmadan makineyi zorlayarak itmeyin. Destek frenini bıraktıktan sonra batarya göstergesi durumunu kontrol ederek hangi batarya koruma sisteminin çalıştığını söyleyebilirsiniz.

► Şek.29: 1. Yanıyor 2. Yanıp sönmüyor 3. Kapalı 4. Aşırı ısınma koruması 5. Aşırı deşarj koruması 6. Aşırı yük koruması

⚠ DİKKAT: Yokuşlarda çalışırken bip sesi çıkarsa veya makine yokuşlarda otomatik olarak durursa makineyi güvenli bir yere alın, freni kilitleyin ve daha sonra batarya kartuşunu şarjlı olanla değiştirin veya batarya kartuşunu şarj edin.

Yük büyüye ve yokuşlarda çalışırken bip sesi çıkarsa veya makine yokuşlarda otomatik olarak durursa makineyi zorla hareket ettirmeyin. Freni kilitleyin, güvenliğe dikkat edin ve batarya kartuşunu şarjlı olanla değiştirin ve daha sonra makineyi güvenli bir yere alın. Makineyi yeniden çalıştırmadan önce yükü azaltın.

NOT: Kalan batarya kapasitesini, kilit anahtar takılı olmasa bile kontrol edebilirsiniz.

Kalan batarya kapasitesinin gösterilmesi

Sadece göstergeli batarya kartuşları için

► Şek.30: 1. Gösterge lambaları 2. Kontrol düğmesi

Kalan batarya kapasitesini göstermesi için batarya kartuşu üzerindeki kontrol düğmesine basın. Gösterge lambaları birkaç saniye yanar.

Gösterge lambaları			Kalan kapasite
■ Yanıyor	□ Kapalı	▬ Yanıp sönmüyor	
■ ■ ■ ■	□ □ □ □	▬ ▬ ▬ ▬	%75 ila %100
■ ■ ■ □	□ □ □ □	▬ ▬ ▬ ▬	%50 ila %75
■ ■ □ □	□ □ □ □	▬ ▬ ▬ ▬	%25 ila %50
■ □ □ □	□ □ □ □	▬ ▬ ▬ ▬	%0 ila %25
▬ □ □ □	□ □ □ □	▬ ▬ ▬ ▬	Bataryayı şarj edin.
■ ■ □ □	□ □ □ □	▬ ▬ ▬ ▬	Batarya arızalanmış olabilir.

NOT: Kullanım koşullarına ve ortam sıcaklığına bağlı olarak, gösterilen değer gerçek kapasiteden biraz farklılık gösterebilir.

Kumanda paneli

► **Şek.31:** 1. Güç düğmesi 2. İleri/geri düğmesi 3. Hız düğmesi

Gücü açmak için güç düğmesine birkaç saniyelikine basın. İleri modu ile geri modu arasında geçiş yapmak için ileri/geri düğmesine basın. Düşük hız ile yüksek hız arasında geçiş yapmak için hız düğmesine basın. Güç araldığında ileri modu ve düşük hız ayarlanır. Gücü kapatmak için güç düğmesine birkaç saniyelikine basın.

NOT: İleri/geri düğmesi, anahtar tetik çekilirken kullanılamaz.

NOT: Makine geri yönde çalıştırılırken kısa bir bip sesi çıkar.

NOT: Makineyi geri yönde çalıştırırken hız düğmesi kullanılamaz.

Anahtar ve fren işlemi

UYARI: Bataryayı kartuşu makineye takmadan önce, anahtar tetiğin düzgün çalışıp çalışmadığını ve bırakıldığında kapalı konumuna dönüp dönmediğini daima kontrol edin.

Makineyi çalıştırmak için anahtar tetiği çekin. Makineyi durdurmak için anahtar tetiği bırakın ve fren kolunu çekin. Fren kolunu kilitlemek için fren kolunu çekerken kilitleme düğmesine basın. Kilidi açmak için fren kolunu çekin.

► **Şek.32:** 1. Anahtar tetik

► **Şek.33:** 1. Kilitleme düğmesi 2. Fren kolu

Arka tekerlek freni

Arka tekerlekler frenlerle donatılmıştır. Frenleri kilitlemek için fren pedallarını öne doğru bastırın. Frenleri bırakmak için fren pedallarını arkaya doğru bastırın.

► **Şek.34:** 1. Pedal

Ön lambaların yakılması

Lambaları yakmak için batarya kutusunun üzerindeki lamba düğmesine basın. Lambaları kapatmak için lamba düğmesine yeniden basın.

► **Şek.35:** 1. Lamba düğmesi 2. Lamba

NOT: Makine yaklaşık 10 dakika gözetimsiz bırakılırsa lambalar söner.

NOT: Güç kapatıldığında lambalar söner.

NOT: Kilit anahtar takılı olmasa bile lambaları yakabilirsiniz.

Tutamak yüksekliğinin ayarlanması

Kısa altı köşe başlı civataları ve omuzlu civataları pakette verilen anahtarla sökün ve daha sonra tutamak yüksekliğini ayarlayın. Yükseklik üç seviyeye ayarlanabilir. Omuzlu civataları ve kısa altı köşe başlı civataları sıkarak tutamağı sabitleyin.

► **Şek.36:** 1. Kısa altı köşe başlı civata 2. Omuzlu civata

ÖNEMLİ NOT: Sol ve sağ tutamakları aynı yükseklikte sabitleyin.

ÖNEMLİ NOT: Kısa altı köşe başlı civataları aşırı güçle sıkmayın. Tutamaklar sabit şekilde tutturulacak şekilde uygun güçle sıkın.

ÖNEMLİ NOT: Kabloları civatalarla sıkıştırmayın.

Taşıyıcının genişliğinin ayarlanması

4 papatya somunu gevşetin ve daha sonra yan rayları kaydırın. Papatya somunları sıkarak yan rayları sabitleyin.

► **Şek.37:** 1. Papatya somun 2. Ray

DİKKAT: Rayları sınır işaretini geçecek kadar kaydırmayın.

► **Şek.38**

KULLANIM

Makinenin kullanılması

ÖNEMLİ NOT: Bu makinede ön tekerlek batarya gücü ile tahrik edilir. Bu makineyi taşıma işlemlerine destek olması için kullanın.

ÖNEMLİ NOT: Kullanmadan önce kilit anahtarını batarya kutusuna mutlaka takın. Kilit anahtar takılmazsa anahtar tetik çekildiğinde kısa bir bip sesi çıkar. Anahtar tetiği bırakmak ve fren kolunu çekmek suretiyle bip sesi durur.

Makineyi çalıştırmadan önce fren kolunun düzgün çalıştığını kontrol edin.

► **Şek.39:** 1. Fren kolu

UYARI: Fren kolunu sonuna kadar çektiğinizde kol tutamağa ulaşıyorsa fren düzgün çalışmamaktadır. Freni ayarlayın veya yerel Makita Servis Merkezinizden onarmasını isteyin.

1. Batarya seçme düğmesi ile batarya kartuşunu seçin.

2. Gücü açmak için kumanda paneli üzerindeki güç düğmesine birkaç saniyelikine basın.

► **Şek.40:** 1. Güç düğmesi

3. Fren kolunun kilidini açmak için fren kolunu çekin.

► **Şek.41:** 1. Kilitleme düğmesi 2. Fren kolu

NOT: Arka tekerlekler takılı ise arka tekerlek frenini serbest bırakın.

4. Tutamakları iki elinizle sıkıca tutun.

► **Şek.42**

5. Anahtar tetiği çekin.

► **Şek.43:** 1. Anahtar tetik

Cisimlerin yüklenmesi

⚠️ DİKKAT: Cisimleri makineye yüklemeyen önce gücün kapalı ve fren kolunun kilitli olduğundan emin olun.

⚠️ DİKKAT: Arka tekerlekler takılı ise makineye cisimleri yüklemeyen önce arka tekerlek freninin kilitli olduğundan emin olun.

⚠️ DİKKAT: Cisimleri makineye yüklemeyen önce taşıyıcı veya teknenin kilitli olduğundan emin olun.

⚠️ DİKKAT: Cisimleri mutlaka taşıyıcı veya teknenin içine yükleyin. Cisimler taşıyıcı veya teknenin dışarı çıktığında, bunlar engellere dokunurlarsa düşebilir veya yığılabılır.

► Şek.44

⚠️ DİKKAT: Cisimleri mutlaka göz hizasının altında kalacak şekilde yükleyin. Yük çok yüksek olursa görüşü engellediğinden tehlike oluşturur. Ayrıca yük muhtemelen dengesiz olacağından devrilme ve yaralanma riski söz konusudur.

► Şek.45

Cisimleri taşıyıcıya yüklerken cisimleri halatlarla sabitleyin ve bunları halat kancalarına bağlayın.

► Şek.46

Cisimlerin boşaltılması

⚠️ DİKKAT: Taşıyıcı veya tekneyi düz ve dengeli bir zeminde kaldırın. Dengesiz zeminde çalışmak, kaza veya yaralanmaya neden olabilir.

Cisimler, taşıyıcı veya tekneye kaldırıp yatırarak boşaltılabilir.

1. Makineyi durdurun ve daha sonra frenleri kilitleyin.

ÖNEMLİ NOT: Makineyi dengede tutmak için ön tekerleğe takoz konulması tavsiye edilir.

2. Kilitleme kolunu serbest bırakın.

3. Makinenin yan tarafında durun, tutamağı bir elle tutun ve daha sonra taşıyıcı şasesini diğer elle yukarı çekerek taşıyıcı veya tekneyi kaldırıp yatırın.

► Şek.47

⚠️ DİKKAT: Tutamağı ve taşıyıcı şasesini sıkıca tutun ve vücudunuz dengede çalışın.

⚠️ DİKKAT: Yükü minimumda tutun. Yük büyüse taşıyıcıyı kaldırmaya çalışmayın. Yükü azaltın ve daha sonra taşıyıcıyı kaldırın.

⚠️ DİKKAT: Cisimleri boşalttıktan sonra, taşıyıcı veya tekneyi mutlaka kilitleyin.

BAKIM

⚠️ DİKKAT: Depolamadan veya kontrol veya bakım yapmaya kalkışmadan önce mutlaka makineyi düz bir zemine park edin ve fren kolunu kilitleyin.

⚠️ DİKKAT: Arka tekerlekler takılı ise depolama, kontrol veya bakım öncesinde arka tekerlek freninin kilitli olduğundan emin olun.

⚠️ DİKKAT: Depolama, kontrol veya bakım öncesinde kilit anahtarları ve batarya kartuşunun makineden çıkarıldığından daima emin olun.

⚠️ DİKKAT: Makine kullanımında değilken kilit anahtarını mutlaka çıkarın. Kilit anahtarını çocukların ulaşamayacağı güvenli bir yerde saklayın.

Düzenli kontroller

• Civatalar ve somunların iyice sıkıldıklarını kontrol edin.

► Şek.48

• Kilitleme kolu sonuna kadar aşağı indirildiğinde taşıyıcının kilitlendiğini kontrol edin.

► Şek.49: 1. Taşıyıcı kilidi 2. Kilitleme kolu

• Fren kolunun düzgün çalıştığını kontrol edin.

► Şek.50: 1. Fren kolu

⚠️ UYARI: Fren kolunu sonuna kadar çektiğinizde kol tutamağa ulaşıyorsa fren düzgün çalışmıyordur. Freni ayarlayın veya yerel Makita Servis Merkezinizden onarmasını isteyin.

• Ön tekerleğin hasarlı veya inik olup olmadığını kontrol edin. Ön tekerlek için lastik havasının yeterli olduğunu kontrol edin.

Makinenin temizlenmesi

ÖNEMLİ NOT: Benzin, tiner, alkol ve benzeri maddeleri kesinlikle kullanmayın. Renk değişimi, deformasyon veya çatlaklar oluşabilir.

ÖNEMLİ NOT: Makineyi akan su ile temizlerken suyu taşıyıcı veya teknenin altına dökmün. Temizlemek için yüksek basınçlı yıkama makinası kullanmayın.

Çamur, kir ve benzerlerini makineden temizleyin. Makineyi akan su ile temizleyin. Temizlik sonunda makineyi kuru bir bezle silin.

Depolama

Kilit anahtarını çıkarın. Makineyi çocukların ulaşamayacağı güvenli bir yerde depolayın.

Makineyi depolarken tutamaları öne döndürülebilir.

Kısa altı köşe başlı civataları ve omuzlu civataları pakette verilen anahtarla sökün. Tutamaları dışa doğru çevirin ve daha sonra tutamaları öne döndürün. Omuzlu civataları ve kısa altı köşe başlı civataları sıkarak tutamaları sabitleyin.

► Şek.51: 1. Omuzlu civata 2. Kısa altı köşe başlı civata

ÖNEMLİ NOT: Kısa altı köşe başlı civataları aşırı güçle sıkmayın. Tutamaklar sabit şekilde tutturulacak şekilde uygun güçle sıkın.

ÖNEMLİ NOT: Kablo ları civatalarla sıkırtmayın.

Frenin ayarlanması

⚠ DİKKAT: Arka tekerlekler takılı ise freni ayarlamadan önce arka tekerlek frenini mutlaka kilitleyin.

1. Taşıyıcı veya tekneyi çıkarın ve daha sonra taşıyıcı şasesini açın.
► **Şek.52:** 1. Taşıyıcı şasesi
2. Fren kolunun kilitleme düğmesini açmak için fren kolunu çekin.
► **Şek.53:** 1. Kilitleme düğmesi 2. Fren kolu
3. Ayar manşonu ve sabitleme somununu gevşetin.
► **Şek.54:** 1. Ayar manşonu 2. Sabitleme somunu
4. Sadece sabitleme somununu sıkın.
► **Şek.55:** 1. Sabitleme somunu
5. Ayar manşonu ve sabitleme somununu gevşetin.
► **Şek.56:** 1. Ayar manşonu 2. Sabitleme somunu
6. Sadece sabitleme somununu sıkın.
► **Şek.57:** 1. Sabitleme somunu
7. Fren kolunun, sonuna kadar çekildiğinde yarı konumda olduğundan emin olun. Fren kolu yarı konumda ise adım 13'e gidin. Fren kolu yarı konumda değilse adım 8'e gidin.
► **Şek.58:** 1. Fren kolu
8. Sadece sabitleme somununu gevşetin.
► **Şek.59:** 1. Sabitleme somunu
9. Sabitleme somununu ve ayar manşonunu birlikte sıkın.
► **Şek.60:** 1. Ayar manşonu 2. Sabitleme somunu
10. Sadece sabitleme somununu gevşetin.
► **Şek.61:** 1. Sabitleme somunu
11. Sabitleme somununu ve ayar manşonunu birlikte sıkın.
► **Şek.62:** 1. Ayar manşonu 2. Sabitleme somunu
12. Fren kolunun, sonuna kadar çekildiğinde yarı konumda olduğundan emin olun.
► **Şek.63:** 1. Fren kolu
13. Taşıyıcı şasesini katlayın ve daha sonra taşıyıcı veya tekneyi takın.
► **Şek.64:** 1. Taşıyıcı şasesi

Lastiğe hava basılması

Ön tekerlek için lastik havasının düşük olmadığını kontrol edin. Lastik havası yetersiz ise pompa ile lastiğe hava basın. Önerilen lastik basıncı 230 kPa'dır.

► **Şek.65**

İSTEĞE BAĞLI AKSESUARLAR

⚠ DİKKAT: Bu aksesuarlar ve ek parçalar bu el kitabında belirtilen Makita aletiniz ile kullanılmak için tavsiye edilmektedir. Herhangi başka bir aksesuar ya da ek parça kullanılması insanlar için bir yaralanma riski getirebilir. Aksesuarları ya da ek parçaları yalnızca belirtilmiş olan kullanım amaçlarına uygun olarak kullanın.

⚠ DİKKAT: Makine için sadece Makita aksesuar veya ataşman kullanın. Başka aksesuar veya ataşman kullanılması ciddi yaralanmaya neden olabilir.

Bu aksesuarlarla ilgili daha fazla bilgiye ihtiyaç duyarsanız bulunduğunuz yerdeki yetkili Makita servisine başvurun.

- Taşıyıcı
- Tekne
- Yardımcı tekerlekler
- Orijinal Makita batarya ve şarj aleti

NOT: Listedeki parçaların bazıları alet paketi içerisinde standart aksesuar olarak dahil edilmiş olabilir. Bunlar ülkeden ülkeye farklılık gösterebilir.

Makita Europe N.V. Jan-Baptist Vinkstraat 2,
3070 Kortenberg, Belgium

Makita Corporation 3-11-8, Sumiyoshi-cho,
Anjo, Aichi 446-8502 Japan

www.makita.com

885584C994
EN, FR, DE, IT, NL,
ES, PT, DA, EL, TR
20190306