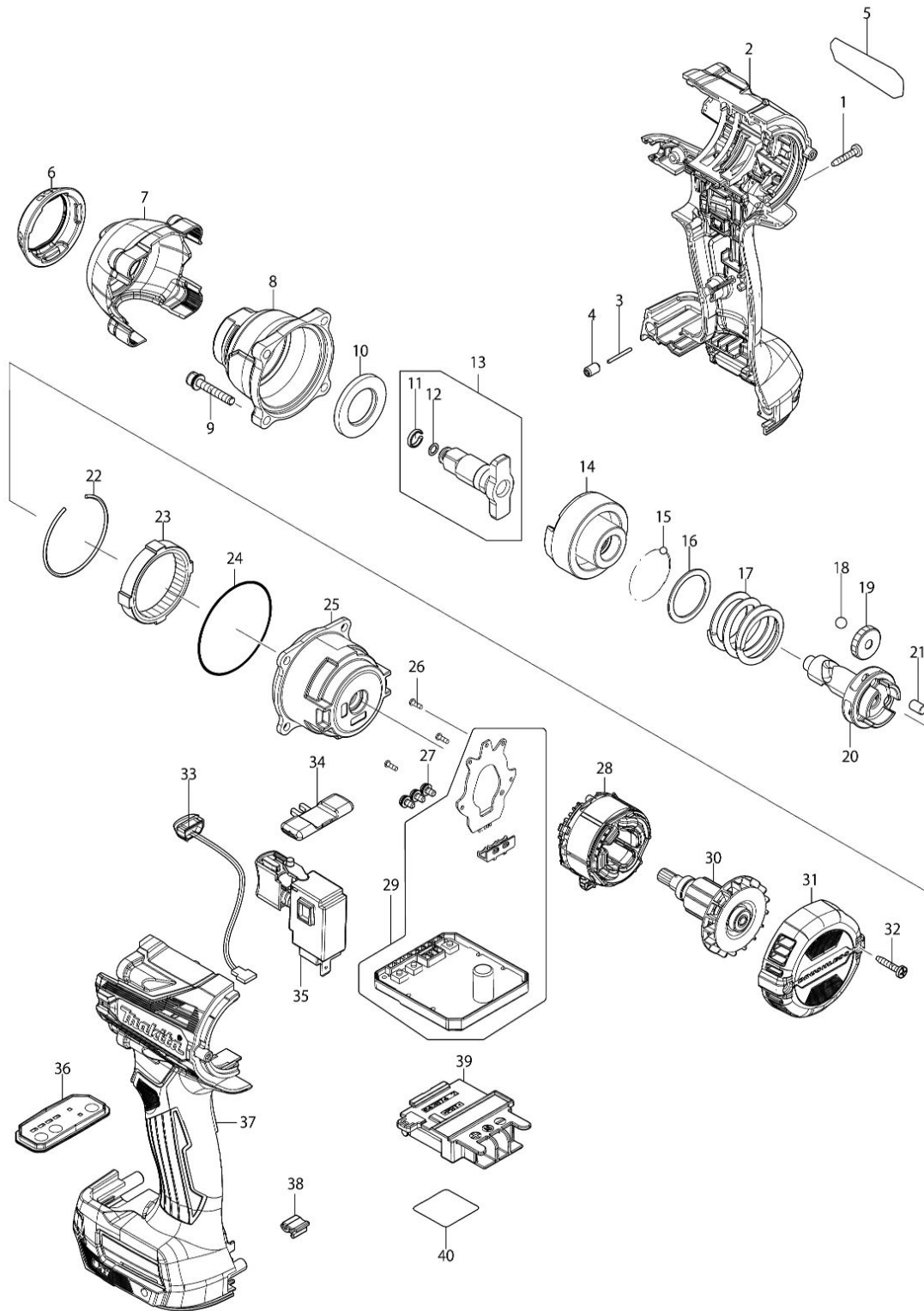


# Partdrawing for DTW302RTJ - Slagmoersleutel



Model No.DTW302 CORDLESS IMPACT WRENCH



| Nr.    | Part nr. | Name                         |
|--------|----------|------------------------------|
| 001    | 266130-9 | Tapschroef 3X16 A            |
| 002    | 183P27-2 | Motorhuisset DTW300/301      |
| 002    | 252126-6 | Borgmoer M4X7Mm Mt070        |
| 002C10 | 263005-3 | Rubber Pen 6 AC320H P        |
| 003    | 268284-8 | Pen 1,5 Tw100D               |
| 004    | 263036-2 | Rubber Pen 5 Btw251          |
| 005    | 811V29-1 | Naamplaat DTW302             |
| 006    | 422584-2 | Stootring DTW300             |
| 007    | 412556-5 | Slaghuiskap DTW300/301       |
| 008    | 141E94-7 | Tandwielhuis DTW302          |
| 009    | 265472-8 | Inbusschroef M4x25mm DTW301  |
| 010    | 261171-0 | Nylon Ring DTW302            |
| 011    | 233943-3 | Borgring 8 DTW180            |
| 012    | 213960-9 | O-RING 5 9554NB/GA40/5030 P  |
| 013    | 136510-2 | Aambeeld DTW302              |
| 014    | 327892-5 | Slagstuk DTW302              |
| 015    | 216001-0 | Kogel 3,5mm P                |
| 016    | 267175-0 | Platte Ring 24 Btd132        |
| 017    | 234322-8 | Drukveer 25 Dtw280           |
| 018    | 216011-7 | STALEN KOGEL 5.6 P           |
| 019    | 227338-0 | Tandwiel 22 Dtw280           |
| 020    | 327573-1 | As DTW300/301                |
| 021    | 268311-1 | Pen 5 Dtw280                 |
| 022    | 233910-8 | Veerring 43 6953             |
| 023    | 227337-2 | Tandwiel 51 Dtw280           |
| 024    | 213785-1 | O-Ring 49                    |
| 025    | 140T37-6 | Tandwielhuis DTW300/301      |
| 026    | 266490-9 | Parker Ck 2X6Mm DDF483 P     |
| 027    | 652069-6 | Kruiskop Schroef M3X6        |
| 028    | 629477-6 | Veld DTW300/301              |
| 028-1  | 629A98-0 | Veld DTW302                  |
| 029    | 620C64-2 | Circuit DTW300/301           |
| 030    | 619626-3 | Anker DTW300/301             |
| 031    | 412555-7 | Achterdekseel DTW300/301     |
| 032    | 266130-9 | Tapschroef 3X16 A            |
| 033    | 620521-2 | Led-Circuit Dtd170           |
| 034    | 455053-8 | Schakelknop Re Li Dtd137 148 |
| 035    | 651443-5 | Schakelaar C3JR-4B DF001G    |
| 036    | 140T43-1 | Schakelplaat DTW300/301      |
| 036C10 | 8012S9-8 | Label A/U DTW301             |
| 037    | 183P27-2 | Motorhuisset DTW300/301      |
| 037C10 | 263005-3 | Rubber Pen 6 AC320H P        |
| 038    | 424517-3 | Bescherming Bdf459           |
| 039    | 643874-2 | Aansluitunit Dhp483          |
| 040    | 811V33-0 | Label ser.nr. DTW302         |