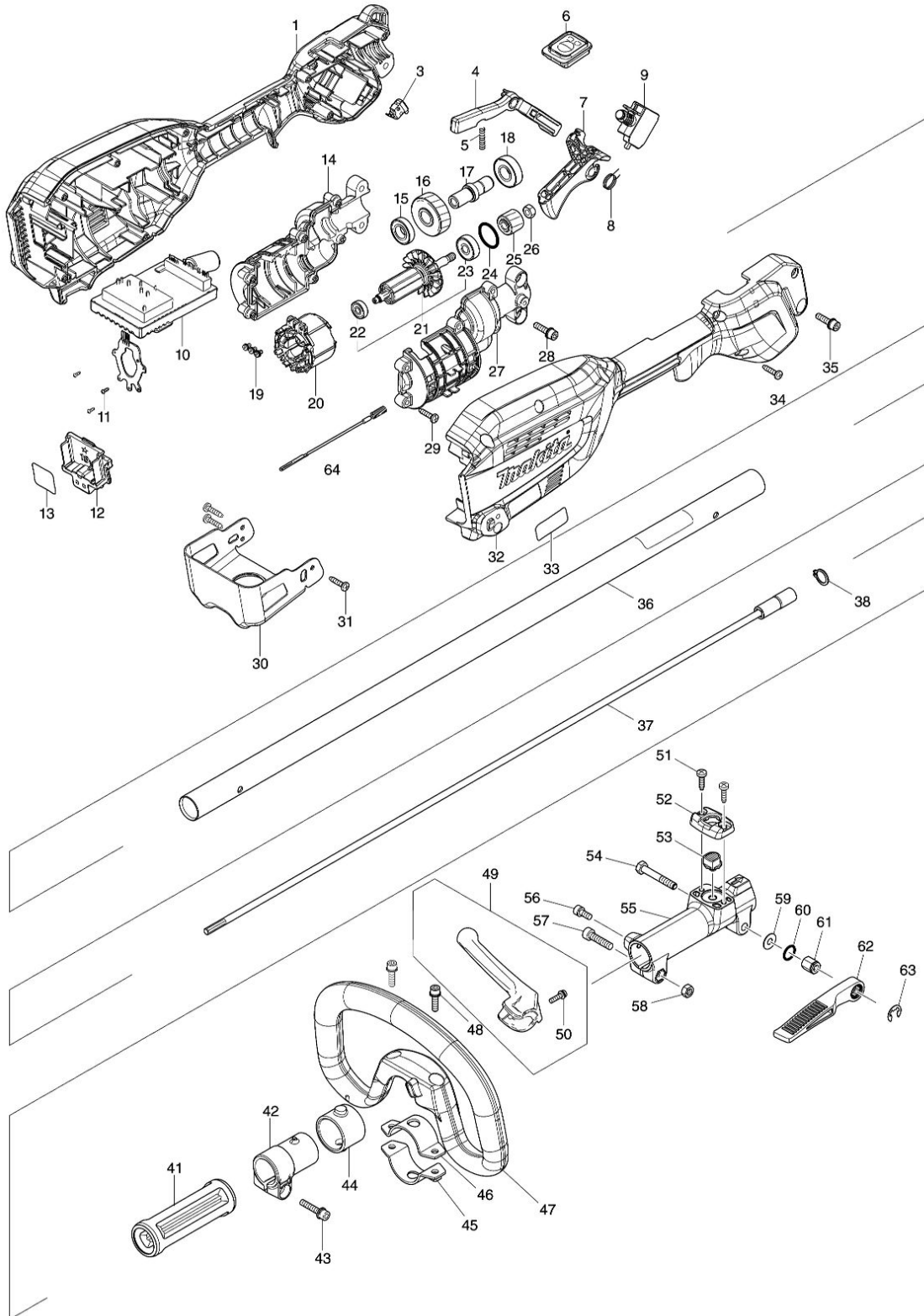


Model No.DUX18 CRDLSS MULTI FNCTN POWER HEAD



# Partdrawing for DUX18ZX1 - Combisysteem



Nr.	Part nr.	Name
-----	----------	------