



<b>GB</b>	<b>Pneumatic Framing Nailer</b>	<b>Instruction manual</b>
<b>F</b>	<b>Cloueuse Pneumatique</b>	<b>Manuel d'instructions</b>
<b>D</b>	<b>Druckluftnagler</b>	<b>Betriebsanleitung</b>
<b>I</b>	<b>Chiodatrice da carpentieri pneumatica</b>	<b>Istruzioni per l'uso</b>
<b>NL</b>	<b>Pneumatisch nagelpistol</b>	<b>Gebruiksaanwijzing</b>
<b>E</b>	<b>Clavadora Neumática de Estructuras</b>	<b>Manual de instrucciones</b>
<b>P</b>	<b>Pregador Pneumático</b>	<b>Manual de instruções</b>
<b>DK</b>	<b>Pneumatisk rammesømpistol</b>	<b>Brugsanvisning</b>
<b>GR</b>	<b>Καρφωτικό πιστόλι</b>	<b>Οδηγίες χρήσης</b>

**WARNING:** Please read the instructions and warnings for this tool carefully before use. Failure to do so could lead to serious injury.

**AVERTISSEMENT :** Veuillez lire attentivement les instructions et les avertissements pour cet outil avant utilisation. Le non-respect de cette consigne peut entraîner de graves blessures.

**WARNUNG:** Bitte lesen Sie die Anweisungen und Warnungen für dieses Werkzeug vor Gebrauch aufmerksam durch. Anderenfalls kann es zu schweren Verletzungen kommen.

**AVVERTENZA:** Leggere con attenzione tutte le istruzioni e le avvertenze relative al presente utensile prima dell'uso. La mancata osservanza di questa indicazione potrebbe portare a gravi lesioni personali.

**WAARSCHUWING:** Lees vóór gebruik de instructies en waarschuwingen voor dit gereedschap zorgvuldig door. Als u dit niet doet, kan dat leiden tot ernstig letsel.

**ADVERTENCIA:** Por favor, lea las instrucciones y advertencias para esta herramienta atentamente antes de utilizarla. En caso contrario podrá dar lugar a heridas graves.

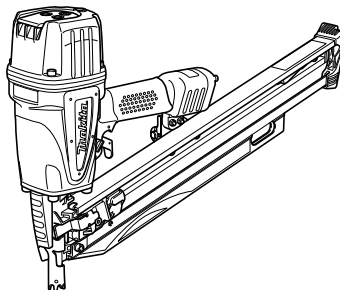
**AVISO:** Leia atentamente as instruções e avisos relativos a esta ferramenta antes de utilizá-la. Caso não o faça pode causar lesões graves.

**ADVARSEL:** Læs instruktionerne og advarselne for denne maskine grundigt inden brugen. Undladelse af dette kan medføre alvorlig personskaade.

**ΠΡΟΕΙΔΟΠΟΙΗΣΗ:** Διαβάστε προσεκτικά τις οδηγίες και προειδοποιήσεις για αυτό το εργαλείο πριν από τη χρήση. Αν δεν το κάνετε αυτό, μπορεί να προκληθεί σοβαρός τραυματισμός.

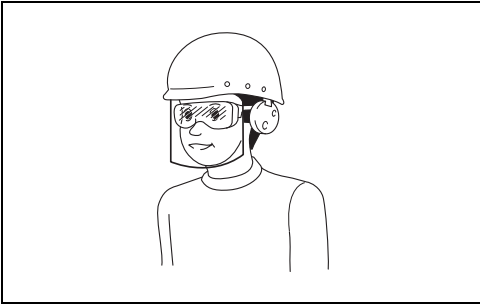
# AN923

# AN943



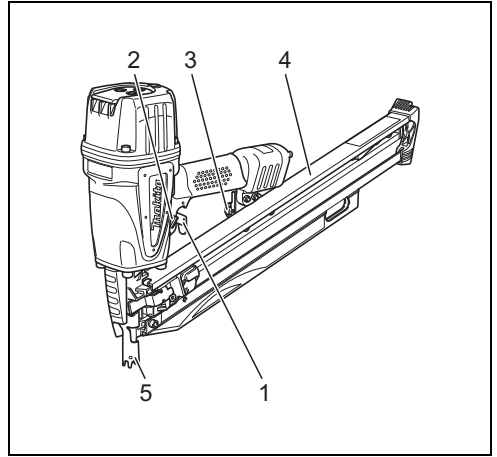
007004





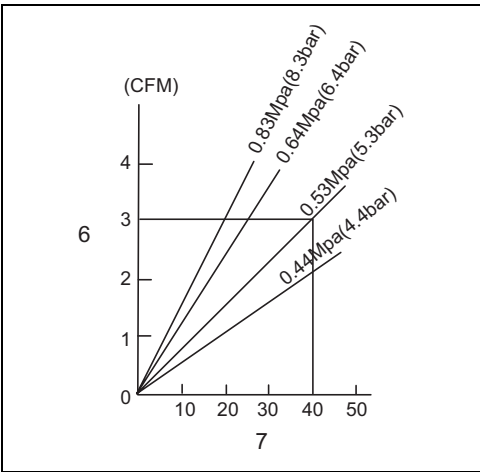
1

000114



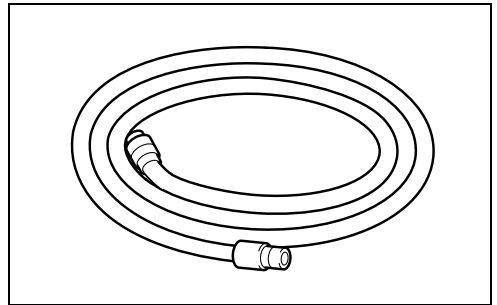
2

10217101



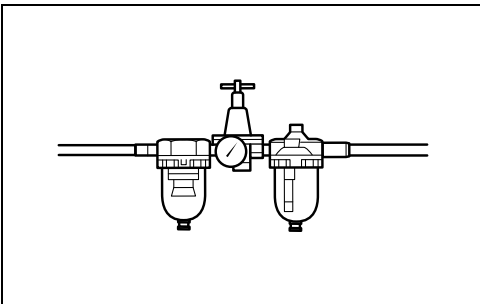
3

004293



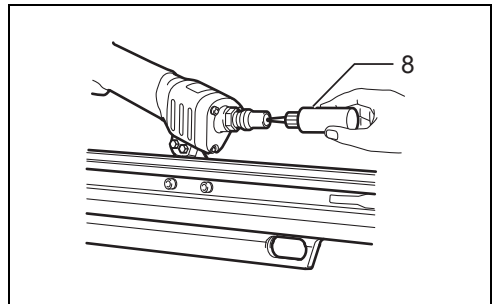
4

004294



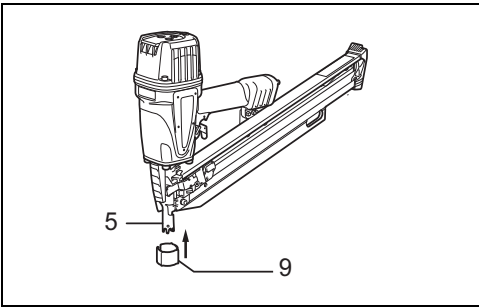
5

004295



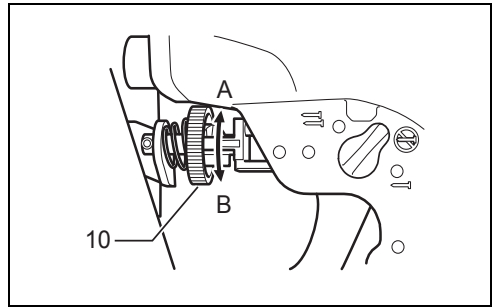
6

007005



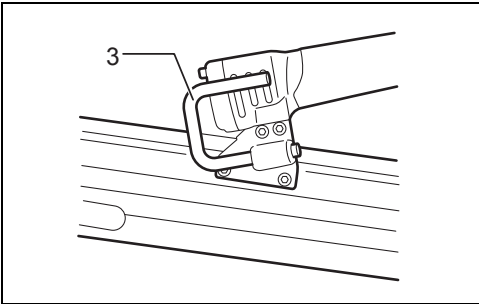
7

007803



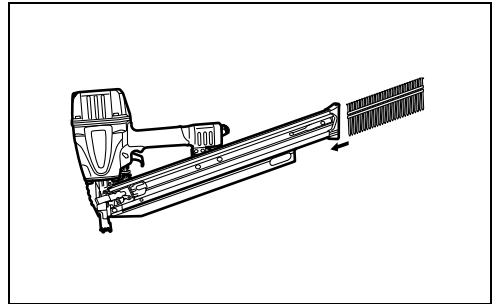
8

007006



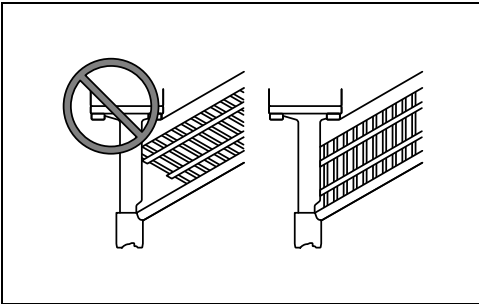
9

007062



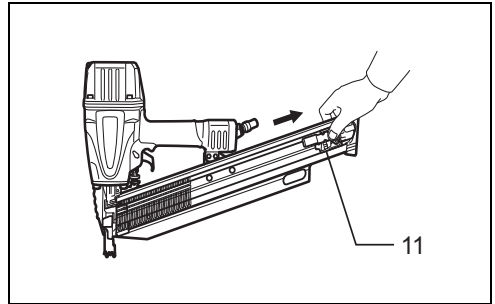
10

007007



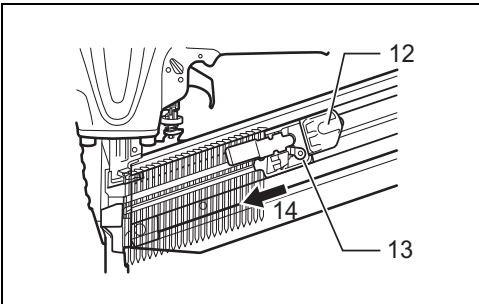
11

011695



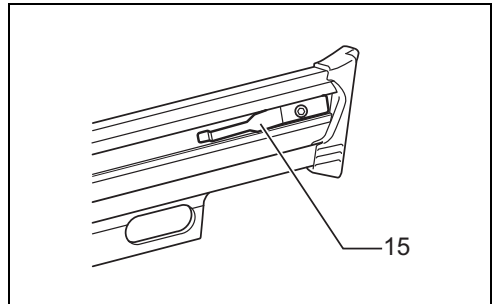
12

007008



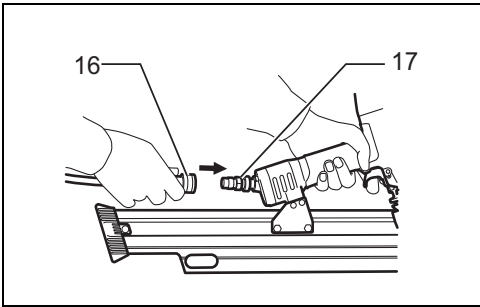
13

007009



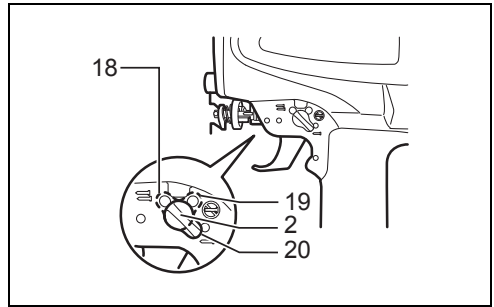
14

007010



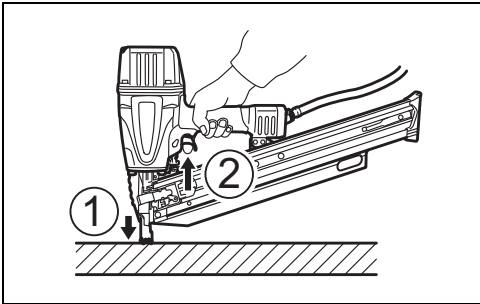
**15**

007011



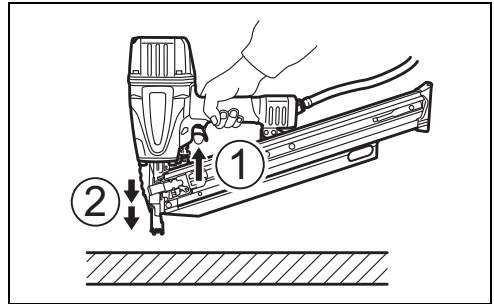
**16**

007014



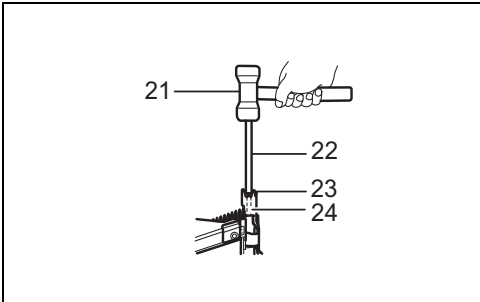
**17**

10217102



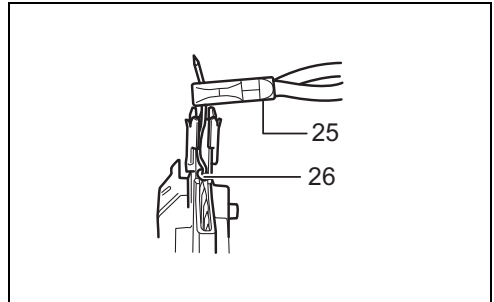
**18**

10217103



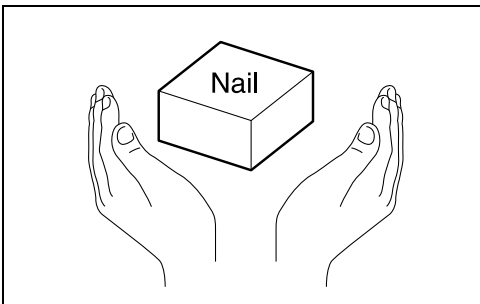
**19**

004308



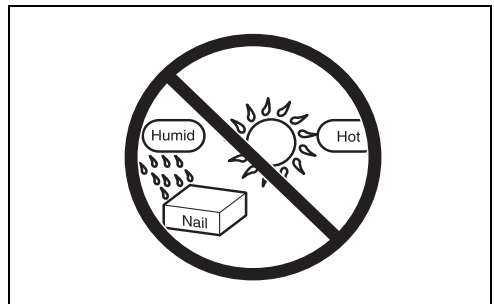
**20**

004309



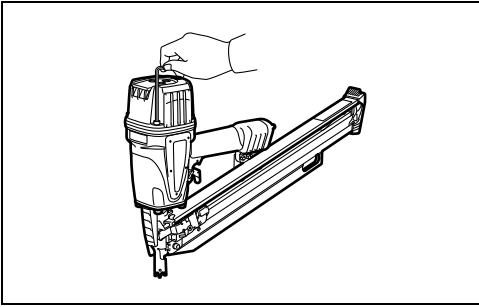
**21**

004310



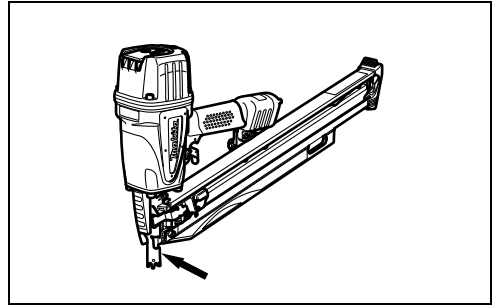
**22**

004311



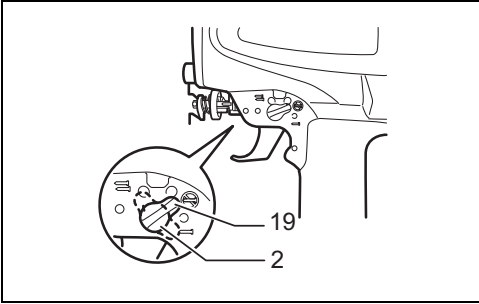
23

007015



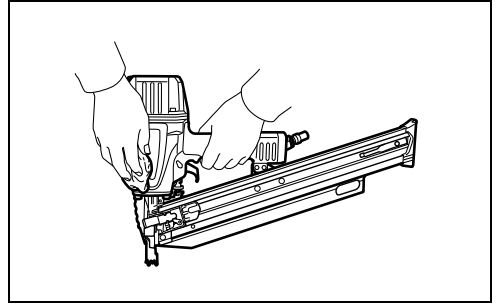
24

007016



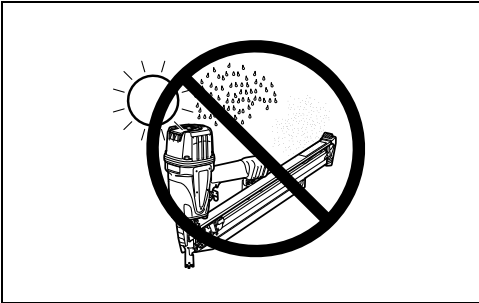
25

007017



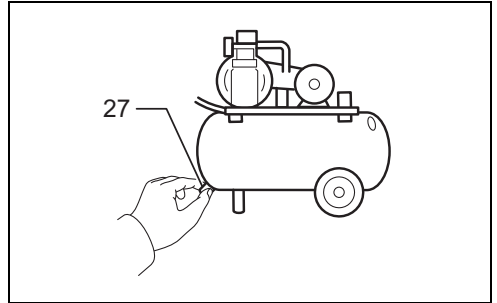
26

007018



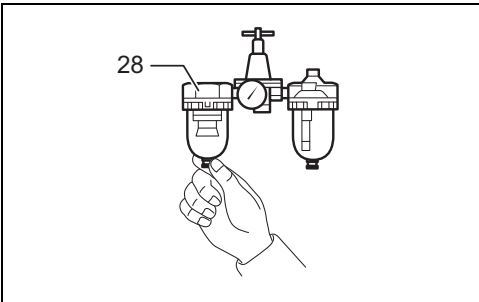
27

000219



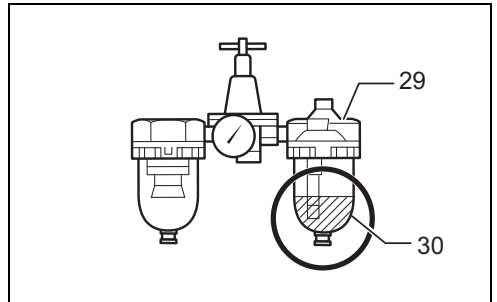
28

004317



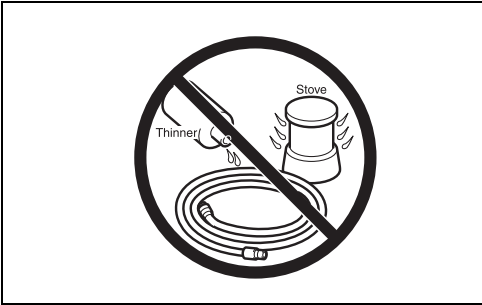
29

004318



30

004319



31

004320

## ENGLISH (Original instructions)

### Explanation of general view

1. Trigger	11. Pusher	21. Hammer
2. Change lever	12. Pusher lever	22. Small rod
3. Hook	13. Depress	23. Ejection port
4. Magazine	14. Return	24. Driver
5. Contact element	15. Nail stopper	25. Pliers
6. Compressor air output per minute	16. Air socket	26. Slot
7. Nailing frequency (times/min.)	17. Air fitting	27. Drain cock
8. Pneumatic tool oil	18. Contact actuation mode	28. Air filter
9. Nose adapter	19. Trigger lock	29. Oiler
10. Adjuster	20. Single sequential actuation mode	30. Pneumatic oil

## SPECIFICATIONS

Model		AN923	AN943
Air pressure		0.44 - 0.83 Mpa (4.4 - 8.3 bar)	
Fastener	Type	Plastic strip nail (full round head)	Paper strip nail (clipped head)
	Length	50 - 90 mm	50 - 90 mm
	Diameter	2.9 - 4.1 mm	2.9 - 3.3 mm
	Angle	21 degrees	34 degrees
Magazine capacity		64 - 74 pcs.	60 - 84 pcs.
Pneumatic tool oil		ISO VG32 or equivalent	
Dimensions (L x H x W)		559 mm x 347 mm x 109 mm	455 mm x 365 mm x 109 mm
Min. hose diameter		8.5 mm	
Net weight		4.0 kg	

- Due to our continuing programme of research and development, the specifications herein are subject to change without notice.
- Specifications may differ from country to country.

### Symbols

END106-4

The following show the symbols used for the equipment. Be sure that you understand their meaning before use.



..... Read instruction manual.



..... Wear safety glasses.



..... Wear ear protection.



..... The tool has the capability of operating in contact actuation mode.



..... Do not use on scaffoldings, ladders.

### Intended use

ENE059-2

The tool is intended for the preliminary interior work such as fixing floor joists or common rafters and framing work in 2" x 4" housing.

The tool is for high-volume professional application only. Do not use it for any other purpose. It is not designed to

drive fasteners directly on a hard surface like steel and concrete.

## PNEUMATIC NAILER/STAPLER SAFETY WARNINGS

ENB132-1

**⚠ WARNING: Read all safety warnings and all instructions.** Failure to follow the warnings and instructions may result in serious injury, electric shock and/or fire.

### Save all warnings and instructions for future reference.

For personal safety and proper operation and maintenance of the tool, read this instruction manual before using the tool.

### General safety

1. **Any other use except for intended use of this tool is forbidden. Fastener driving tools with continual contact actuation or contact actuation shall only be used for production applications.**
2. **Keep fingers away from trigger when not operating this tool and when moving from one operating position to another.**
3. **Multiple hazards. Read and understand the safety instructions before connecting, disconnecting, loading, operating, maintaining, changing**

accessories on, or working near the tool. Failure to do so can result in serious bodily injury.

4. Keep all body parts such as hands and legs etc. away from firing direction and ensure fastener cannot penetrate workpiece into parts of the body.
5. When using the tool, be aware that the fastener could deflect and cause injury.
6. Hold the tool with a firm grasp and be prepared to manage recoil.
7. Only technically skilled operators should use the fastener driving tool.
8. Do not modify the fastener driving tool. Modifications may reduce the effectiveness of safety measures and increase the risks to the operator and/or bystander.
9. Do not discard the instruction manual.
10. Do not use a tool if the tool has been damaged.
11. Be careful when handling fasteners, especially when loading and unloading, as the fasteners have sharp points which could cause injury.
12. Always check the tool before use for broken, misconnected or worn parts.
13. Do not overreach. Only use in a safe working place. Keep proper footing and balance at all times.
14. Keep bystanders away (when working in an area where there is a likelihood of through traffic of people). Clearly mark off your operating area.
15. Never point the tool at yourself or others.
16. Do not rest your finger on the trigger when picking up the tool, moving between operating areas and positions or walking, as resting finger on trigger can lead to inadvertent operation. For tools with selective actuation, always check the tool before use to ascertain the correct mode is selected.
17. Only wear gloves that provide adequate feel and safe control of triggers and any adjusting devices.
18. When resting the tool, lay it down on the flat surface. If you use the hook equipped with the tool, hook the tool securely on the stable surface.
19. Do not operate when under the influence of alcohol, drugs or the like.

#### Projectile hazards

1. The fastener driving tool shall be disconnected when unloading fasteners, making adjustments, clearing jams or changing accessories.
2. During operation be careful that fasteners penetrate material correctly and cannot be deflected/misfired towards operator and/or any bystanders.
3. During operation, debris from workpiece and fastening/collation system may be discharged.
4. Always wear protective goggles to protect your eyes from injury when using power tools. The goggles must comply with ANSI Z87.1 in the USA, EN 166 in Europe, or AS/NZS 1336 in Australia/ New Zealand. In Australia/New Zealand, it is legally required to wear a face shield to protect your face, too. (Fig. 1)

It is an employer's responsibility to enforce the use of appropriate safety protective equipments by the tool operators and by other persons in the immediate working area.

5. The risks to others shall be assessed by the operator.
6. Be careful with tools without workpiece contact as they can be fired unintentionally and injure operator and/or bystander.
7. Ensure tool is always safely engaged on the workpiece and cannot slip.
8. Wear hearing protection to protect your ears against exhaust noise and head protection. Also wear light but not loose clothing. Sleeves should be buttoned or rolled up. No necktie should be worn.

#### Operating hazards

1. Hold the tool correctly: be ready to counteract normal or sudden movements such as recoil.
2. Maintain a balanced body position and secure footing.
3. Appropriate safety glasses shall be used and appropriate gloves and protective clothing are recommended.
4. Appropriate hearing protection shall be worn.
5. Use the correct energy supply as directed in the instruction manual.
6. Do not use the tool on moving platforms or back of trucks. Sudden movement of the platform may lose control of the tool and cause injury.
7. Always assume that the tool contains fasteners.
8. Do not rush the job or force the tool. Handle the tool carefully.
9. Watch your footing and maintain your balance with the tool. Make sure there is no one below when working in high locations, and secure the air hose to prevent danger if there is sudden jerking or catching.
10. On rooftops and other high locations, drive fasteners as you move forward. It is easy to lose your footing if you drive fasteners while inching backward. When driving fasteners against perpendicular surface, work from the top to the bottom. You can perform driving operations with less fatigue by doing so.
11. A fastener will be bent or the tool can become jammed if you mistakenly drive fastener on top of another fastener or strike a knot in the wood. The fastener may be thrown and hit someone, or the tool itself can react dangerously. Place the fasteners with care.
12. Do not leave the loaded tool or the air compressor under pressure for a long time out in the sun. Be sure that dust, sand, chips and foreign matter will not enter the tool in the place where you leave it setting.
13. Never attempt to drive fasteners from both the inside and outside at the same time. Fasteners may rip through and/or fly off, presenting a grave danger.

#### Repetitive motions hazards

1. When using a tool for long periods, the operator may experience discomfort in the hands, arms, shoulders, neck, or other parts of the body.
2. While using a tool, the operator should adopt a suitable but ergonomic posture. Maintain secure footing and avoid awkward or off-balanced postures.



3. If the operator experiences symptoms such as persistent or recurring discomfort, pain, throbbing, aching, tingling, numbness, burning sensation, or stiffness, do not ignore these warning signs. The operator should consult a qualified health professional regarding overall activities.
  4. The continuous use of the tool may cause repetitive strain injury due to recoil produced by the tool.
  5. To avoid repetitive strain injury, the operator should not overreach or use excessive force. Additionally, the operator should take a rest when feeling fatigue.
  6. Conduct a risk assessment regarding repetitive motion hazards. It should focus on muscular-skeletal disorders and be preferentially based on the assumption that decreasing fatigue during work is effective in reducing disorders.
2. Conduct a risk assessment regarding noise hazards in the work area and implement appropriate controls for these hazards.
  3. Appropriate controls to reduce the risk may include actions such as damping materials to prevent workpieces from “ringing”.
  4. Use appropriate hearing protection.
  5. Operate and maintain the tool as recommended in these instructions, to prevent an unnecessary increase in noise levels.
  6. Take noise reduction measures, for example placing workpieces on sound damping supports.

#### Accessory and consumable hazards

1. Disconnect the energy supply to the tool, such as air or gas or battery as applicable, before changing/replacing accessories such as workpiece contact, or making any adjustments.
2. Use only the sizes and types of accessories that are provided by the manufacturer.
3. Use only lubricants recommended in this manual.

#### Workplace hazards

1. Slips, trips and falls are major causes of workplace injury. Be aware of slippery surfaces caused by use of the tool and also of trip hazards caused by the air line hose.
2. Proceed with additional care in unfamiliar surroundings. Hidden hazards may exist, such as electricity or other utility lines.
3. This tool is not intended for use in potentially explosive atmospheres and is not insulated from coming into contact with electric power.
4. Make sure there are no electrical cables, gas pipes etc. that could cause a hazard if damaged by use of the tool.
5. Keep work area clean and well lit. Cluttered or dark areas invite accidents.
6. There may be local regulations concerning noise which must be complied with by keeping noise levels within prescribed limits. In certain cases, shutters should be used to contain noise.

#### Dust and exhaust hazards

1. Always check your surroundings. The air exhausted from the tool may blow dust or objects and hit operator and/or bystanders.
2. Direct the exhaust so as to minimize disturbance of dust in a dust filled environment.
3. If dust or objects are emitted in the work area, reduce the emission as much as possible to reduce the health hazards and risk of injury.

#### Noise hazards

1. Unprotected exposure to high noise levels can cause permanent, disabling, hearing loss and other problems such as tinnitus (ringing, buzzing, whistling or humming in the ears).

#### Vibration hazards

1. The vibration emission during operation depends on the gripping force, the contact pressure force, the working direction, the adjustment of energy supply, the workpiece, the workpiece support. Conduct a risk assessment regarding vibration hazards and implement appropriate controls for these hazards.
2. Exposure to vibration can cause disabling damage to the nerves and blood supply of the hands and arms.
3. Wear warm clothing when working in cold conditions, keep your hands warm and dry.
4. If you experience numbness, tingling, pain or whitening of the skin in your fingers or hands, seek medical advice from a qualified occupational health professional regarding overall activities.
5. Operate and maintain the tool as recommended in these instructions, to prevent an unnecessary increase in vibration levels.
6. Hold the tool with a light, but safe, grip because the risk from vibration is generally greater when the grip force is higher.

#### Additional warnings for pneumatic tools

1. Compressed air can cause severe injury.
2. Always shut off air supply, and disconnect tool from air supply when not in use.
3. Always disconnect the tool from the compressed air supply before changing accessories, making adjustments and/or repairs, when moving away from an operating area to a different area.
4. Keep fingers away from trigger when not operating the tool and when moving from one operating position to another.
5. Never direct compressed air at yourself or anyone else.
6. Whipping hoses can cause severe injury. Always check for damaged or loose hoses or fittings.
7. Never carry a pneumatic tool by its hose.
8. Never drag a pneumatic tool by its hose.
9. When using pneumatic tools, do not exceed the maximum operating pressure ps max.
10. Pneumatic tools should only be powered by compressed air at the lowest pressure required for the work process to reduce noise and vibration, and minimize wear.
11. Using oxygen or combustible gases for operating pneumatic tools creates a fire and explosion hazard.
12. Be careful when using pneumatic tools as the tool could become cold, affecting grip and control.

## Additional warnings for tools with contact actuation capability



1. Do not rest your finger on the trigger when picking up the tool, moving between operating areas and positions or walking, as resting finger on trigger can lead to inadvertent operation. For tools with selective actuation, always check the tool before use to ascertain the correct mode is selected.
2. This tool has either selective actuation for contact actuation or continuous contact actuation by actuation mode selectors or is a contact actuation or continuous actuation contact tool and has been marked with the symbol above. Its intended uses are for production applications such as pallets, furniture, manufactured housing, upholstery and sheathing.
3. If using this tool in selective actuation mode, always ensure it is in the correct actuation setting.
4. Do not use this tool in contact actuation for applications such as closing boxes or crates and fitting transportation safety systems on trailers and lorries.
5. Be careful when changing from one driving location to another.

### Safety devices

1. Make sure all safety systems are in working order before operation. The tool must not operate if only the trigger is pulled or if only the contact arm is pressed against the wood. It must work only when both actions are performed. Test for possible faulty operation with fasteners unloaded and the pusher in fully pulled position.
2. Securing the trigger in the ON position is very dangerous. Never attempt to fasten the trigger.
3. Do not attempt to keep the contact element depressed with tape or wire. Death or serious injury may occur.
4. Always check contact element as instructed in this manual. Fasteners may be driven accidentally if the safety mechanism is not working correctly.

### Service

1. Perform cleaning and maintenance right after finishing the job. Keep the tool in tip-top condition. Lubricate moving parts to prevent rusting and minimize friction-related wear. Wipe off all dust from the parts.
2. Ask Makita authorized service center for periodical inspection of the tool.
3. To maintain product SAFETY and RELIABILITY, maintenance and repairs should be performed by Makita Authorized Service Centers, always using Makita replacement parts.
4. Follow local regulations when disposing of the tool.

## SAVE THESE INSTRUCTIONS.

### ⚠ WARNING:

DO NOT let comfort or familiarity with product (gained from repeated use) replace strict adherence to safety rules for the subject product. MISUSE or failure to follow the safety rules stated in this instruction manual may cause serious personal injury.

## PARTS DESCRIPTION (Fig. 2)

## INSTALLATION

### Selecting compressor (Fig. 3)

The air compressor must comply with the requirements of EN60335-2-34.

- Select a compressor that has ample pressure and air output to assure cost-efficient operation. The graph shows the relation between nailing frequency, applicable pressure and compressor air output. Thus, for example, if nailing takes place at a rate of approximately 40 times per minute at a compression of 0.59 MPa (5.9 bar), a compressor with an air output over 3 CFM (ft<sup>3</sup>/minute) is required. Pressure regulators must be used to limit air pressure to the rated pressure of the tool where air supply pressure exceeds the tool's rated pressure. Failure to do so may result in serious injury to tool operator or persons in the vicinity.

### Selecting air hose (Fig. 4)

- Use an air hose as large a diameter and as short as possible to assure continuous, efficient nailing operation. With an air pressure of 0.49 MPa (4.9 bar), an air hose with an internal diameter of over 8.5 mm (5/16") and a length of less than 20 m (6.6 ft.) is recommended when the interval between each nailing is 0.5 seconds. Air supply hoses shall have a minimum working pressure rating of 1.03 MPa (10.3 bar) or 150 percent of the maximum pressure produced in the system whichever is higher.

### CAUTION:

- Low air output of the compressor, or a long or smaller diameter air hose in relation to the nailing frequency may cause a decrease in the driving capability of the tool.

### Lubrication (Fig. 5)

To insure maximum performance, install an air set (oil, regulator, air filter) as close as possible to the tool. Adjust the oiler so that one drop of oil will be provided for every 30 nails.

When an air set is not used, oil the tool with pneumatic tool oil by placing 2 (two) or 3 (three) drops into the air fitting. This should be done before and after use. For proper lubrication, the tool must be fired a couple of times after pneumatic tool oil is introduced. (Fig. 6)

## FUNCTIONAL DESCRIPTION

### CAUTION:

- Always lock the trigger and disconnect the hose before adjusting or checking function on the tool.

## Nose adapter (Accessory)

### CAUTION:

- Always lock the trigger and disconnect the hose before installing or removing the nose adapter.

When nailing workpieces with easily-marred surfaces, use the nose adapter.

Attach the nose adapter to the contact element. (Fig. 7)

## Adjusting depth of nailing (Fig. 8)

To adjust the depth of nailing, turn the adjuster. The depth of nailing is the deepest when the adjuster is turned fully in the A direction shown in the figure. It will become shallower as the adjuster is turned in the B direction. If nails cannot be driven deep enough even when the adjuster is turned fully in the A direction, increase the air pressure. If nails are driven too deep even when the adjuster is turned fully in the B direction, decrease the air pressure. Generally speaking, the tool service life will be longer when the tool is used with a lower air pressure and the adjuster set to a deeper depth of nail driving.

### CAUTION:

- Always lock the trigger and disconnect the hose before adjusting the depth of nailing.

## Installing the hook (Fig. 9)

### CAUTION:

- Always lock the trigger and disconnect the hose from the tool.
- Never hook the tool at high location or on potentially unstable surface.

The hook is convenient for hanging the tool temporarily. To use the hook, simply lift up hook until it snaps into the open position.

When not in use, always lower hook until it snaps into the closed position.

## ASSEMBLY

### CAUTION:

- Always lock the trigger and disconnect the hose before carrying out any work on the tool.

## Loading the nailer (Fig. 10)

Select nails suitable for your work. Insert strip of nails into the magazine. (Fig. 11)

Load nails so that they get parallel to the driver guide. (Fig. 12)

Pull the pusher lever to the rear to engage the pusher to the last nail.

## Unloading nailer (Fig. 13)

Pull the pusher lever to the rear. Return the pusher lever back while keeping the pusher depressed to disengage it from the strip of nails.

Depress the nail stopper and remove the strip of nails from the magazine. (Fig. 14)

## Connecting the air hose (Fig. 15)

Lock the trigger. Slip the air socket of the air hose onto the air fitting on the nailer. Be sure that the air socket locks firmly into position when installed onto the air fitting. A hose coupling must be installed on or near the tool in such

a way that the pressure reservoir will discharge at the time the air supply coupling is disconnected.

## OPERATION

### CAUTION:

- Make sure all safety systems are in working order before operation.


## Selecting the operation mode

### CAUTION:

- When not in use, always set the change lever to the trigger lock position.
- Always make sure that the change lever is properly set to the position for the desired nailing mode before nailing.


This tool is equipped with the change lever. You can select either the single sequential actuation mode or the contact actuation mode with it. You can also lock the trigger by setting it to the trigger lock position. (Fig. 16)

### Single sequential actuation mode:

You can drive one nail by one sequential operation. Select this mode when driving a nail carefully and accurately. To choose this mode, set the change lever to the  position.

### Contact actuation mode:

You can drive nails repetitively by placing the contact element with the trigger held.

To choose this mode, set the change lever to the  position.

## Checking proper action before operation

Before operation, always check following points.

- Make sure that the tool does not operate only by connecting the air hose.
- Make sure that the tool does not operate only by pulling the trigger.
- Make sure that the tool does not operate only by placing the contact element against the workpiece without pulling the trigger.
- In single sequential actuation mode, make sure that the tool does not operate when pulling the trigger first and then placing the contact element against the workpiece.

## Single sequential actuation

Place the contact element against the workpiece and pull the trigger fully.

After nailing, release the contact element, and then release the trigger. (Fig. 17)

### CAUTION:

- Do not place the contact element against the workpiece with excessive force. Also, pull the trigger fully and hold it on for 1-2 seconds after nailing. Even in the "Single sequential actuation" mode, half-pulled trigger causes an unexpected nailing, when the contact element re-contacts the workpiece.

## Contact actuation



Pull the trigger first and then place the contact element against the workpiece. (Fig. 18)

## Anti dry fire mechanism

This tool is equipped with an anti dry fire mechanism. When there are a few nails remaining in the magazine, the contact arm will be locked in the undepressed position to prevent the tool from being activated. Load more nails to resume operation.

## Jammed nailer (Fig. 19)

### CAUTION:

- Always lock the trigger, disconnect the hose and remove the nails from the magazine before clearing a jam.

When the nailer becomes jammed, do as follows: Insert a small rod or the like into the ejection port and tap it with a hammer to retract the driver.

Use pliers to bend the jammed nail so that the nail head comes out of the slot in the driver guide. Then remove the jammed nail. (Fig. 20)

## Nails (Fig. 21)

Handle nail coils and their box carefully. If the nail coils have been handled roughly, they may be out of shape or their connector breaks, causing poor nail feed. Avoid storing nails in a very humid or hot place or place exposed to direct sunlight. (Fig. 22)


## MAINTENANCE

### CAUTION:

- Always disconnect the air hose from the tool before attempting to perform inspection or maintenance.
- Never use gasoline, benzene, thinner, alcohol or the like. Discoloration, deformation or cracks may result.

## Maintenance of the nailer

Always check the tool for its overall condition and loose screws before operation. Tighten as required. (Fig. 23) With tool disconnected, make daily inspection to assure free movement of the contact element and trigger. Do not use tool if the contact element or trigger sticks or binds. (Fig. 24)

Make sure that the trigger is locked when the change lever is set to the  position. (Fig. 25)

When the tool is not to be used for an extended period of time, lubricate the tool using pneumatic tool oil and store the tool in a safe place. Avoid exposure to a direct sunlight and/or humid or hot environment. (Fig. 26 & 27)

## Maintenance of the compressor, air set and air hose (Fig. 28 & 29)

After operation, always drain the compressor tank and the air filter. If moisture is allowed to enter the tool, it may result in poor performance and possible tool failure.

Check regularly to see if there is sufficient pneumatic oil in the oiler of the air set. Failure to maintain sufficient lubrication will cause O-rings to wear quickly. (Fig. 30) Keep the air hose away from heat (over 60°C, over 140°F), away from chemicals (thinner, strong acids or alkalis). Also, route the hose away from obstacles which it may become dangerously caught on during operation. Hoses must also be directed away from sharp edges and areas which may lead to damage or abrasion to the hose. (Fig. 31)

To maintain product SAFETY and RELIABILITY, repairs, any other maintenance and adjustment should be performed by Makita Authorized Service Centers, always using Makita replacement parts.

## OPTIONAL ACCESSORIES

### CAUTION:

- These accessories or attachments are recommended for use with your Makita tool specified in this manual. The use of any other accessories or attachments might present a risk of injury to persons. Only use accessory or attachment for its stated purpose.

If you need any assistance for more details regarding these accessories, ask your local Makita Service Center.

- Nails
- Air hoses
- Safety goggles

### NOTE:

- Some items in the list may be included in the tool package as standard accessories. They may differ from country to country.

### Noise

ENG905-1

The typical A-weighted noise level determined according to EN ISO 11148:

#### Model AN923

Sound pressure level ( $L_{pA}$ ): 89 dB (A)  
Sound power level ( $L_{WA}$ ): 102 dB (A)  
Uncertainty (K): 3 dB (A)

#### Model AN943

Sound pressure level ( $L_{pA}$ ): 92 dB (A)  
Sound power level ( $L_{WA}$ ): 105 dB (A)  
Uncertainty (K): 3 dB (A)

**Wear ear protection.**

### Vibration

ENG904-1

The vibration emission value determined according to EN ISO 11148:

#### Model AN923

Vibration emission ( $a_{h1}$ ): 4.0 m/s<sup>2</sup>  
Uncertainty (K): 1.5 m/s<sup>2</sup>

#### Model AN943

Vibration emission ( $a_{h1}$ ): 3.5 m/s<sup>2</sup>  
Uncertainty (K): 1.5 m/s<sup>2</sup>

ENG901-1

- The declared vibration emission value has been measured in accordance with the standard test method and may be used for comparing one tool with another.
- The declared vibration emission value may also be used in a preliminary assessment of exposure.

 **WARNING:**

- The vibration emission during actual use of the power tool can differ from the declared emission value depending on the ways in which the tool is used.
- Be sure to identify safety measures to protect the operator that are based on an estimation of exposure in the actual conditions of use (taking account of all parts of the operating cycle such as the times when the tool is switched off and when it is running idle in addition to the trigger time).

**EC Declaration of Conformity**

***For European countries only***

The EC declaration of conformity is included as Annex A to this instruction manual.

# FRANÇAIS (Instructions d'origine)

## Descriptif

- |   |  |                               |
|---|--|-------------------------------|
| 1. Gâchette                               | 11. Poussoir                             | 21. Marteau                   |
| 2. Levier de changement                   | 12. Levier du poussoir                   | 22. Petite tige               |
| 3. Crochet                                | 13. Enfoncer                             | 23. Orifice d'éjection        |
| 4. Magasin                                | 14. Ramener                              | 24. Dispositif d'entraînement |
| 5. Élément de contact                     | 15. Butée à clous                        | 25. Pince                     |
| 6. Sortie d'air du compresseur par minute | 16. Prise d'air                          | 26. Fente                     |
| 7. Fréquence de clouage (clous/min.)      | 17. Raccord à air                        | 27. Robinet de vidange        |
| 8. Huile pour outils pneumatiques         | 18. Mode de commande par contact         | 28. Filtre à air              |
| 9. Adaptateur nez                         | 19. Verrouillage de la gâchette          | 29. Réservoir d'huile         |
| 10. Dispositif de réglage                 | 20. Mode de commande séquentielle simple | 30. Huile à outil pneumatique |

## SPÉCIFICATIONS

Modèle		AN923	AN943
Pression d'air		0,44 - 0,83 Mpa (4,4 - 8,3 bar)	
Fixation	Type	Clous en bande plastique (tête ronde intégrale)	Clous en bande papier (tête taillée)
	Longueur	50 - 90 mm	50 - 90 mm
	Diamètre	2,9 - 4,1 mm	2,9 - 3,3 mm
	Angle	21 degrés	34 degrés
Capacité du magasin		64 - 74 pièces	60 - 84 pièces
Huile à outil pneumatique		ISO VG32 ou équivalent	
Dimensions (L x H x P)		559 mm x 347 mm x 109 mm	455 mm x 365 mm x 109 mm
Diamètre minimal du tuyau		8,5 mm	
Poids net		4,0 kg	

- Étant donné l'évolution constante de notre programme de recherche et de développement, les spécifications contenues dans ce manuel sont sujettes à des modifications sans préavis.
- Les spécifications peuvent varier suivant les pays.

### Symboles

END106-4

Les symboles utilisés pour l'outil sont indiqués ci-dessous. Assurez-vous d'avoir bien compris leur signification avant d'utiliser l'outil.



..... Reportez-vous au manuel d'instructions.



..... Portez des lunettes de sécurité.



..... Portez un dispositif de protection auditive.



..... L'outil peut fonctionner en mode de commande par contact.



..... N'utilisez pas l'outil sur un échafaudage ou une échelle.

### Utilisations

ENE059-2

L'outil est conçu pour les travaux intérieurs préliminaires tels que la fixation des solives de plancher et des chevrons, ainsi que pour les travaux de charpente dans les maisons à ossature 2" x 4".

L'outil est conçu pour des applications professionnelles à grande échelle uniquement. Ne l'utilisez pas à d'autres fins. Il n'est pas conçu pour enfoncer des fixations directement dans une surface dure comme l'acier ou le béton.

## CONSIGNES DE SECURITE POUR CLOUEUSE/AGRAFEUSE PNEUMATIQUE

ENB132-1

**⚠ AVERTISSEMENT : Lisez toutes les consignes de sécurité et toutes les instructions.** Ignorer les avertissements et les instructions peut entraîner de graves blessures, une électrocution et/ou un incendie.

### Conservez toutes les mises en garde et instructions pour référence ultérieure.

Pour votre propre sécurité et pour un fonctionnement et un entretien adéquats de l'outil, veuillez lire ce mode d'emploi avant d'utiliser l'outil.

## Sécurité générale

1. Toute autre utilisation que celle prévue pour cet outil est interdite. Les outils destinés à enfoncer des fixations avec commande par contact en continu ou commande par contact ne doivent être utilisés que pour les applications productiques.
2. Éloignez les doigts de la gâchette lorsque vous n'utilisez pas l'outil et lorsque vous vous déplacez d'un point à un autre.
3. Risques multiples. Lisez et comprenez les consignes de sécurité avant de brancher, débrancher, charger, utiliser, entretenir l'outil ou de changer des accessoires ou travailler à proximité de l'outil. Le non-respect de cette consigne peut entraîner de graves blessures corporelles.
4. Éloignez les parties du corps comme les mains ou les jambes du sens d'éjection des fixations et assurez-vous qu'elles ne peuvent pas pénétrer par la pièce dans des parties de votre corps.
5. Lorsque vous utilisez l'outil, soyez conscient que la fixation peut dévier et vous blesser.
6. Maintenez fermement l'outil et soyez prêt à affronter un mouvement de recul.
7. Seuls les utilisateurs aux compétences techniques avancées doivent utiliser un outil destiné à enfoncer des fixations.
8. Ne modifiez pas un outil destiné à enfoncer des fixations. Les modifications peuvent réduire l'efficacité des mesures de sécurité et augmenter les risques pour l'utilisateur et/ou les badauds.
9. Ne jetez pas le manuel d'instructions.
10. N'utilisez pas l'outil s'il est endommagé.
11. Prenez garde lorsque vous manipulez des fixations, particulièrement lors de leur insertion et retrait, étant donné qu'elles présentent des bouts pointus susceptibles de vous blesser.
12. Inspectez toujours l'outil avant de l'utiliser pour s'assurer qu'il n'a pas de pièces cassées, mal branchées ou usées.
13. Ne vous penchez pas trop loin. N'utilisez l'outil que dans un lieu de travail sécuritaire. Maintenez constamment une bonne assise et un bon équilibre.
14. Écartez les badauds (lorsque vous travaillez dans un endroit au flux incessant de personnes). Marquez clairement votre zone de travail.
15. Ne dirigez jamais l'outil vers vous-même ou quelqu'un d'autre.
16. Ne posez pas le doigt sur la gâchette lorsque vous ramassez l'outil, vous déplacez d'une zone ou position de travail à une autre ou en marchant, étant donné que cela peut entraîner un déclenchement inopiné. Pour les outils avec commande sélective, inspectez toujours l'outil avant utilisation afin de vous assurer que le bon mode est sélectionné.
17. Portez uniquement des gants garantissant une sensation adéquate et une maîtrise sûre des gâchettes et de tout autre dispositif de réglage.
18. Lorsque vous posez l'outil, placez-le sur une surface plane. Si vous utilisez le crochet prévu sur l'outil, accrochez solidement l'outil à une surface stable.

19. N'utilisez pas l'outil si vous avez consommé de l'alcool, des drogues ou des médicaments, etc.

## Risques de projection

1. Un outil destiné à enfoncer des fixations doit être débranché lorsque vous retirez les fixations, effectuez des réglages, enlevez les fixations coincées ou changez d'accessoires.
2. Pendant le fonctionnement, assurez-vous que les fixations pénètrent correctement le matériau et ne peuvent pas être déviées ou éjectées en direction de l'utilisateur et/ou des badauds.
3. Pendant le fonctionnement, des débris provenant de la pièce et du système de serrage/collationnement peuvent être expulsés.
4. Pour protéger vos yeux des blessures lorsque vous utilisez un outil électrique, portez toujours des lunettes de protection, lesquelles doivent être conformes à ANSI Z87.1 aux États-Unis, EN 166 en Europe ou AS/NZS 1336 en Australie/Nouvelle-Zélande. En Australie/Nouvelle-Zélande, la loi exige également le port d'un écran facial pour se protéger le visage. (Fig. 1)  
L'employeur est responsable d'imposer le port d'équipements de sécurité appropriés par les utilisateurs de l'outil et par les autres personnes se trouvant à proximité de la zone de travail.
5. Les risques pour autrui doivent être évalués par l'utilisateur.
6. Prenez garde avec les outils sans contact de la pièce, car ils peuvent être déclenchés brusquement et blesser l'utilisateur et/ou les badauds.
7. Assurez-vous que l'outil est toujours bien engagé sur la pièce et ne peut pas glisser.
8. Portez des protège-tympans pour protéger vos oreilles contre le bruit d'échappement et portez un casque de sécurité. En outre, les vêtements portés doivent être légers et ne doivent pas être amples. Boutonnez ou retrousssez vos manches. Ne portez pas de cravate.

## Risques liés au fonctionnement

1. Tenez correctement l'outil : soyez prêt à neutraliser des mouvements habituels ou brusques comme un recul.
2. Conservez un bon équilibre général et une bonne assise.
3. Des lunettes de sécurité appropriées doivent être utilisées et il est recommandé de porter des gants et des vêtements de protection adéquats.
4. Portez des protège-tympans adéquats.
5. Utilisez une source d'énergie correcte comme indiqué dans le manuel d'instructions.
6. N'utilisez pas l'outil sur une plateforme mobile ou à l'arrière d'un camion. Un mouvement brusque de la plateforme pourrait vous faire perdre le contrôle de l'outil et vous blesser.
7. Supposez toujours que l'outil contient des vis.
8. Ne travaillez pas trop vite, ni ne forcez l'outil. Manipulez l'outil avec précaution.
9. Regardez où vous posez les pieds et maintenez votre équilibre pendant l'utilisation de l'outil. Assurez-vous qu'il n'y a personne au-dessous de vous lorsque vous travaillez en hauteur et fixez le

tuyau d'air afin d'éviter une situation dangereuse s'il est brusquement secoué ou coincé.

10. **Sur les toits et sur d'autres emplacements en hauteur, procédez au vissage tout en avançant.** Il est facile de perdre l'équilibre en procédant au vissage en reculant. Si vous procédez au vissage sur une surface perpendiculaire, travaillez de haut en bas. De cette façon, le travail de vissage sera moins fatigant.
11. **La vis se pliera ou l'outil peut se bloquer si vous vissez par inadvertance sur une autre vis ou heurtez un nœud dans le bois.** La vis peut être projetée et frapper quelqu'un, ou bien l'outil lui-même peut réagir de manière dangereuse. Choisissez l'emplacement des vis avec soin.
12. **Ne laissez pas l'outil chargé ou le compresseur d'air sous pression pendant une période prolongée dehors au soleil.** Assurez-vous de toujours déposer l'outil dans un endroit où la poussière, le sable, les copeaux et les corps étrangers ne risquent pas d'y pénétrer.
13. **Ne tentez jamais de visser de l'intérieur et de l'extérieur simultanément.** Les vis pourraient se fendre et/ou voler en éclats, ce qui présente un danger grave.

#### Risques de mouvements répétitifs

1. **Lors de l'utilisation d'un outil pendant des périodes prolongées, l'utilisateur peut ressentir une gêne dans les mains, les bras, les épaules, le cou ou d'autres parties du corps.**
2. **Pendant qu'il se sert d'un outil, l'utilisateur doit adopter une posture à la fois adéquate et ergonomique. Conservez une bonne assise et évitez les postures inconfortables ou déséquilibrées.**
3. **Si vous ressentez des symptômes comme une gêne persistante ou récurrente, une douleur, des palpitations, des courbatures, des fourmillements, un engourdissement, une sensation de brûlure ou une raideur, n'ignorez pas ces signes avant-coureurs. L'utilisateur doit consulter un professionnel des soins de santé qualifié concernant l'ensemble des activités.**
4. **L'utilisation continue de l'outil peut provoquer des microtraumatismes répétés en raison du recul produit par l'outil.**
5. **Pour éviter des microtraumatismes répétés, l'utilisateur ne doit pas se pencher trop loin ou utiliser une force excessive. De plus, l'utilisateur doit faire une pause lorsqu'il se sent fatigué.**
6. **Réalisez une évaluation du risque à propos des dangers liés aux mouvements répétitifs. Elle doit se concentrer sur les troubles musculo-squelettiques et reposer de préférence sur l'hypothèse que la réduction de la fatigue pendant le travail diminue efficacement les troubles.**

#### Risques présentés par les accessoires et les pièces consommables

1. **Déconnectez la source d'énergie de l'outil, à savoir l'air, le gaz ou une batterie selon le cas, avant de changer/remplacer des accessoires comme un contact de la pièce ou avant d'effectuer des réglages.**

2. **Utilisez uniquement les tailles et types d'accessoires fournis par le fabricant.**
3. **Utilisez uniquement les lubrifiants recommandés dans ce manuel.**

#### Risques sur le lieu de travail

1. **Glissez, trébuchez et tombez sont les principales causes de blessures sur le lieu de travail. Prenez garde aux surfaces glissantes résultant de l'utilisation de l'outil et prenez soin également de ne pas trébucher dans le tuyau de la ligne d'air.**
2. **Redoublez de précaution dans les environnements inconnus. Des dangers cachés comme les lignes électriques ou d'autres services publics peuvent exister.**
3. **Cet outil n'est pas conçu pour être utilisé dans des atmosphères potentiellement explosives et n'est pas isolé en cas de contact avec le courant électrique.**
4. **Assurez-vous qu'il n'y a pas de câbles électriques, de conduites de gaz, etc., présentant un risque s'ils sont endommagés suite à l'utilisation de l'outil.**
5. **Conservez la zone de travail propre et bien éclairée.** Les zones de travail en désordre ou mal éclairées sont propices aux accidents.
6. **Il se peut que des réglementations locales s'appliquent concernant les niveaux de bruit permis. Veuillez les respecter.** Dans certains cas, des volets doivent être installés pour réduire le bruit.

#### Risques présentés par la poussière et les dégagements

1. **Soyez toujours vigilant à ce qui vous entoure.** L'air sortant de l'outil peut souffler de la poussière ou des objets et frapper l'utilisateur et/ou les badauds.
2. **Dirigez le dégagement de sorte à minimiser la perturbation des poussières dans un environnement poussiéreux.**
3. **Si de la poussière ou des objets sont soufflés dans la zone de travail, réduisez autant que possible les émissions pour diminuer les dangers pour la santé et les risques de blessures.**

#### Risques liés au bruit

1. **L'exposition non protégée à des niveaux de bruit élevés peut entraîner une perte auditive permanente handicapante et d'autres problèmes comme des acouphènes (tintement, sifflement ou bourdonnement dans les oreilles).**
2. **Réalisez une évaluation du risque à propos des risques liés au bruit dans la zone de travail et mettez en place des contrôles adéquats pour ces dangers.**
3. **Des contrôles appropriés pour réduire le risque peuvent inclure des mesures comme des matériaux amortissant pour empêcher les pièces de « tinter ».**
4. **Utilisez des protège-tympan appropriés.**
5. **Faites fonctionner et entretenez l'outil comme recommandé dans ces instructions pour éviter une hausse inutile des niveaux de bruit.**



6. Prenez des mesures de réduction du bruit, par exemple en plaçant les pièces à travailler sur des supports atténuant le bruit.

#### Risques liés aux vibrations

1. L'émission de vibration pendant le fonctionnement dépend de la tension d'adhérence, de la force de pression par contact, du sens de travail, du réglage de l'alimentation, de la pièce à travailler et de son support. Réalisez une évaluation du risque à propos des risques liés aux vibrations et mettez en place des contrôles adéquats pour ces dangers.
2. L'exposition à des vibrations peut provoquer des lésions nerveuses handicapantes et nuire à l'approvisionnement en sang des mains et des bras.
3. Portez des vêtements chauds lorsque vous travaillez dans un environnement froid et maintenez vos mains au chaud et au sec.
4. Si vous ressentez un engourdissement, des fourmillements, une douleur ou remarquez un blanchiment de la peau de vos doigts ou mains, demandez conseil à un professionnel des soins de santé qualifié concernant l'ensemble des activités.
5. Faites fonctionner et entretenez l'outil comme recommandé dans ces instructions pour éviter une hausse inutile des niveaux de vibration.
6. Serrez légèrement l'outil en le tenant bien en main, car le risque de vibration est généralement plus important lorsque la force de préhension est plus élevée.

#### Avvertissements supplémentaires pour outils pneumatiques

1. L'air comprimé peut provoquer de graves blessures.
2. Coupez toujours l'alimentation en air et débranchez l'outil de l'alimentation en air lorsque vous ne l'utilisez pas.
3. Débranchez toujours l'outil de l'alimentation en air comprimé avant de changer des accessoires, d'effectuer des réglages et/ou des réparations, lorsque vous passez d'une zone de travail à une autre zone.
4. Éloignez les doigts de la gâchette lorsque vous n'utilisez pas l'outil et lorsque vous vous déplacez d'un point à un autre.
5. Ne dirigez jamais l'air comprimé vers vous-même ou quelqu'un d'autre.
6. Les coups de fouet des tuyaux peuvent provoquer de graves blessures. Vérifiez toujours que les tuyaux ou raccords ne sont pas endommagés ou lâches.
7. Ne transportez jamais un outil pneumatique par son tuyau.
8. Ne traînez jamais un outil pneumatique par son tuyau.
9. Lorsque vous utilisez un outil pneumatique, ne dépassez pas la pression de service maximum ps max.
10. Les outils pneumatiques ne doivent être alimentés par de l'air comprimé qu'à la plus basse pression requise pour la tâche afin de réduire le bruit et les vibrations, et de limiter l'usure au minimum.

11. L'utilisation d'oxygène ou de gaz combustibles pour faire fonctionner les outils pneumatiques présente un risque d'incendie et d'explosion.
12. Prenez garde lorsque vous utilisez un outil pneumatique, étant donné que l'outil peut devenir froid, affectant la prise et la maîtrise.

#### Avvertissements supplémentaires pour outils avec commande par contact



1. Ne posez pas le doigt sur la gâchette lorsque vous ramassez l'outil, vous déplacez d'une zone ou position de travail à une autre ou en marchant, étant donné que cela peut entraîner un déclenchement inopiné. Pour les outils avec commande sélective, inspectez toujours l'outil avant utilisation afin de vous assurer que le bon mode est sélectionné.
2. Cet outil intègre la commande sélective pour commande par contact ou commande par contact en continu via des sélecteurs de mode de commande ou est un outil de contact avec commande par contact ou commande par contact en continu et est marqué du symbole ci-dessus. Il est prévu pour les applications productives, comme les palettes, les meubles, les préfabriqués, le tissu d'ameublement et le gainage.
3. Si vous utilisez cet outil en mode de commande sélective, assurez-vous toujours que le réglage correct de commande est sélectionné.
4. N'utilisez pas cet outil en mode de commande par contact pour fermer des cartons ou des caisses et poser des systèmes de sécurité des transports sur des remorques et des camions, par exemple.
5. Prenez garde lorsque vous passez d'un point d'enfoncement à un autre.

#### Dispositifs de sécurité

1. Assurez-vous que tous les systèmes de sécurité sont en état de marche avant d'utiliser l'outil. L'outil ne doit pas fonctionner si vous enclenchez uniquement la gâchette ou si vous appuyez simplement le bras de contact contre le bois. Il ne doit fonctionner que si ces deux actions sont réalisées. Faites un essai pour détecter un possible fonctionnement défectueux en retirant les vis de l'outil et en tirant à fond l'enfoncement.
2. Bloquer la gâchette sur la position marche est très dangereux. N'essayez jamais de serrer la gâchette.
3. N'essayez pas de maintenir en position enfoncée l'élément de contact avec du ruban adhésif ou un fil de fer. Cela présente un risque de blessures graves voire mortelles.
4. Vérifiez toujours l'élément de contact, tel qu'indiqué dans ce manuel. Des vis peuvent être projetées accidentellement si le mécanisme de sécurité ne fonctionne pas correctement.

#### Dépannage

1. Procédez au nettoyage et à l'entretien juste après avoir terminé la tâche. Maintenez l'outil en parfait état. Lubrifiez les pièces mobiles pour éviter qu'elles

ne rouillent et pour limiter l'usure due à la friction. Retirez toute la poussière déposée sur les pièces.

2. **Sollicitez une inspection régulière de l'outil auprès d'un centre de service après-vente Makita agréé.**
3. **Pour conserver la SÉCURITÉ et la FIABILITÉ du produit, l'entretien et les réparations doivent être réalisés par un centre de service après-vente Makita agréé, exclusivement avec des pièces de rechange Makita.**
4. **Suivez les réglementations locales lors de la mise au rebut de l'outil.**

## CONSERVEZ CES INSTRUCTIONS.

**⚠ AVERTISSEMENT :**  
**NE vous laissez PAS tromper (au fil d'une utilisation répétée) par un sentiment d'aisance et de familiarité avec le produit, en négligeant le respect rigoureux des consignes de sécurité qui accompagnent le produit en question. La MAUVAISE UTILISATION de l'outil ou l'ignorance des consignes de sécurité indiquées dans ce mode d'emploi peut entraîner de graves blessures.**

## DESCRIPTION DES PIÈCES (Fig. 2)

### INSTALLATION

#### Sélection du compresseur (Fig. 3)

Le compresseur à air doit être conforme à la norme EN60335-2-34.

- Choisissez un compresseur dont la capacité de pressurisation et de sortie d'air assurera un fonctionnement efficace en termes de qualité/coût. Le graphique indique la relation entre la fréquence de clouage, la pression applicable et la sortie d'air du compresseur. Ainsi, par exemple, un clouage à raison d'environ 40 clous par minute avec une pression de 0,59 MPa (5,9 bar) nécessite une sortie d'air supérieure à 3 CFM (3 pi<sup>3</sup>/min). Un régulateur de pression doit être utilisé si la pression d'air fournie dépasse la capacité nominale de l'outil. Autrement l'utilisateur et les personnes qui se trouvent près de lui courent un risque de grave blessure.

#### Sélection du tuyau d'air (Fig. 4)

- Utilisez un tuyau d'air d'un diamètre le plus gros et le plus court possible pour assurer un clouage continu et efficace. Avec une pression d'air de 0,49 MPa (4,9 bar), nous recommandons un tuyau d'air d'un diamètre interne supérieur à 8,5 mm (5/6 po) et d'une longueur inférieure à 20 m (6,6 pi) pour un intervalle de 0,5 seconde entre chaque clou. Les tuyaux d'adduction d'air doivent avoir une pression de service minimale de 1,03 MPa (10,3 bar) ou de 1,5 fois la pression maximale produite par le système, la valeur la plus élevée parmi les précédentes s'appliquant.

### ATTENTION :

- La capacité d'entraînement de l'outil peut être affectée si la sortie d'air du compresseur est faible ou si le tuyau d'air est trop long ou d'un diamètre trop petit pour la fréquence de clouage.

### Lubrification (Fig. 5)

Pour assurer un fonctionnement optimal, installez une chambre à air (qui contient le réservoir d'huile, le régulateur et le filtre à air) le plus près possible de l'outil. Ajustez le réservoir d'huile de sorte qu'il fournisse une goutte d'huile à intervalles de 30 clous.

Si vous n'utilisez pas de chambre à air, graissez l'outil en versant deux (2) ou trois (3) gouttes d'huile pour outil pneumatique dans le raccord à air. Cette opération doit être effectuée avant et après l'utilisation. Pour assurer une lubrification adéquate, il faut déclencher l'outil à quelques reprises après avoir fait le plein d'huile pour outil pneumatique. (Fig. 6)

## DESCRIPTION DU FONCTIONNEMENT

### ATTENTION :

- Verrouillez toujours la gâchette et déconnectez le tuyau avant de régler l'outil ou de vérifier son fonctionnement.

### Adaptateur nez (accessoire)

### ATTENTION :

- Verrouillez toujours la gâchette et débranchez le tuyau avant d'installer ou de déposer l'adaptateur nez. Utilisez l'adaptateur nez lorsque vous clouez des pièces à usiner sur des surfaces susceptibles de s'abîmer facilement. Fixez l'adaptateur nez au bras de contact. (Fig. 7)

### Réglage de la profondeur de clouage (Fig. 8)

Pour ajuster la profondeur de clouage, tournez le dispositif de réglage. La profondeur de clouage est plus grande lorsque le dispositif de réglage est tourné complètement dans le sens A indiqué sur la figure. Elle diminue lorsque l'on tourne le dispositif de réglage dans le sens B. Si les clous ne s'enfoncent pas assez profondément même lorsque le dispositif de réglage est tourné complètement dans le sens A, augmentez la pression d'air. Si les clous s'enfoncent trop profondément même lorsque le dispositif de réglage est tourné complètement dans le sens B, réduisez la pression d'air. En général, la durée de service de l'outil sera plus longue si l'outil est utilisé avec une pression d'air plus basse et si la bague de réglage est placée sur une profondeur de clouage plus faible.

### ATTENTION :

- Verrouillez toujours la gâchette et déconnectez le tuyau avant de régler la profondeur de clouage.

## Installation du crochet (Fig. 9)

### ATTENTION :

- Verrouillez toujours la gâchette et déconnectez le tuyau de l'outil.
- Ne suspendez jamais l'outil dans un endroit élevé ou sur une surface qui risque d'être instable.

L'outil est équipé d'un crochet pratique qui permet de le suspendre temporairement.

Pour utiliser le crochet, soulevez-le simplement jusqu'à ce qu'il se mette en place en position ouverte.

Lorsque vous ne l'utilisez pas, rabaissez toujours le crochet jusqu'à ce qu'il se mette en place en position fermée.

## ASSEMBLAGE

### ATTENTION :

- Verrouillez toujours la gâchette et déconnectez le tuyau avant d'effectuer tout travail sur l'outil.

### Chargement de la cloueuse (Fig. 10)

Choisissez des clous qui conviennent au type de travail à effectuer. Insérez une bande de clous dans le magasin.

(Fig. 11)

Chargez les clous de sorte qu'ils apparaissent parallèlement au guide d'entraînement. (Fig. 12)

Tirez le levier du poussoir vers l'arrière pour enclencher le poussoir sur le dernier clou.

### Retirer les clous de la cloueuse (Fig. 13)

Tirez le levier du poussoir vers l'arrière. Ramenez le levier du poussoir en position initiale tout en maintenant le poussoir enfoncé pour le dégager de la bande de clous. Enfoncez la butée à clous et retirez du magasin la bande de clous. (Fig. 14)

### Connexion du tuyau d'air (Fig. 15)

Verrouillez la gâchette. Glissez la douille à air du tuyau d'air dans le raccord à air de la cloueuse. Assurez-vous que la douille à air est verrouillée fermement en position lorsque vous installez le raccord à air. A hose coupling must be installed on or near the tool in such a way that the pressure reservoir will discharge at the time the air supply coupling is disconnected.

## FONCTIONNEMENT

### ATTENTION :

- Avant d'utiliser l'outil, assurez-vous que tous les dispositifs de sécurité fonctionnent bien.

### Sélection du mode de fonctionnement

#### ATTENTION :

- Lorsque vous n'utilisez pas l'outil, placez toujours le levier de changement sur la position de verrouillage de la gâchette.
- Assurez-vous toujours que le levier de changement est correctement réglé sur la position pour le mode de clouage souhaité avant de clouer.

Cet outil est pourvu d'un levier de changement. Celui-ci vous permet de sélectionner le mode de commande


séquentielle simple ou le mode de commande par contact. Vous pouvez également verrouiller la gâchette en le plaçant sur la position de verrouillage de la gâchette.

(Fig. 16)

#### Mode de commande séquentielle simple :


Vous pouvez enfoncer un clou consécutivement.

Sélectionnez ce mode pour enfoncer un clou soigneusement et précisément.

Pour choisir ce mode, réglez le levier de changement sur la position .

#### Mode de commande par contact :

Vous pouvez enfoncer des clous de façon répétée en plaçant l'élément de contact avec la gâchette maintenue.

Pour choisir ce mode, réglez le levier de changement sur la position .

### Vérification du bon fonctionnement avant utilisation

Avant utilisation, vérifiez toujours les points suivants.

- Assurez-vous que l'outil ne démarre pas uniquement en raccordant le tuyau d'air.
- Assurez-vous que l'outil ne démarre pas uniquement en déclenchant la gâchette.
- Assurez-vous que l'outil ne démarre pas uniquement en plaçant l'élément de contact contre la pièce sans enclencher la gâchette.
- En mode de commande séquentielle simple, assurez-vous que l'outil ne démarre pas en enclenchant d'abord la gâchette, puis en plaçant l'élément de contact contre la pièce.

### Commande séquentielle simple

Placez l'élément de contact contre la pièce et enclenchez à fond la gâchette.

Après le clouage, relâchez l'élément de contact, puis relâchez la gâchette. (Fig. 17)

#### ATTENTION :

- N'appliquez pas une pression excessive lorsque vous posez l'élément de contact contre la pièce. De plus, enclenchez à fond la gâchette et maintenez-la dans cette position 1 ou 2 secondes après le clouage. Même en mode de commande séquentielle simple, une gâchette à moitié enclenchée peut provoquer un clouage imprévu lorsque l'élément de contact touche à nouveau la pièce.

### Commande par contact



Appuyez d'abord sur la gâchette puis placez l'élément de contact contre la pièce. (Fig. 18)

### Mécanisme de prévention d'activation à vide

Cet outil est équipé d'un mécanisme qui prévient le clouage à vide. Lorsqu'il ne reste que quelques clous dans le magasin, le bras de contact se verrouille en

position élevée, pour empêcher l'activation de l'outil. Insérez d'autres clous pour poursuivre votre travail.

## Cloueuse bloquée (Fig. 19)

### ATTENTION :

- Verrouillez toujours la gâchette, débranchez le tuyau et retirez les clous du magasin avant de réparer un blocage.

Lorsque la cloueuse se bloque, procédez comme suit : Insérez une petite tige ou un objet similaire dans l'orifice d'éjection et frappez légèrement avec un marteau pour retirer le dispositif d'entraînement.

Utilisez une pince pour plier le clou bloqué de sorte que la tête du clou sorte par la fente du guide d'entraînement. Retirez ensuite le clou coincé. (Fig. 20)

## Clous (Fig. 21)

Manipulez avec prudence les bobines de clous et leurs boîtes. Si une bobine de clous est manipulée de manière brusque, elle risque de se déformer ou de se détacher, causant une mauvaise alimentation en clous. Évitez de ranger les clous dans les endroits très humides ou chauds et de les exposer directement aux rayons du soleil. (Fig. 22)

## MAINTENANCE

### ATTENTION :

- Déconnectez toujours le tuyau d'air de l'outil avant d'effectuer l'inspection ou la maintenance.
- N'utilisez jamais d'essence, de benzène, de diluant, d'alcool ou de produit similaire. Ces produits risquent de provoquer des décolorations, des déformations ou des fissures.

## Maintenance de la cloueuse

Avant d'utiliser l'outil, assurez-vous qu'il est en bon état et qu'aucune de ses vis n'est desserrée. Serrez les vis si nécessaire. (Fig. 23)

L'outil doit être débranché et inspecté chaque jour pour s'assurer que l'élément de contact et la gâchette se déplacent librement. N'utilisez pas l'outil si l'élément de contact ou la gâchette se bloque ou se coince. (Fig. 24) Assurez-vous que la gâchette est verrouillée lorsque vous réglez le levier de changement de mode en position ☺. (Fig. 25)

Si vous prévoyez que l'outil restera inutilisé pendant une période prolongée, lubrifiez-le avec de l'huile à outil pneumatique et rangez-le dans un endroit sûr. Évitez de l'exposer directement aux rayons du soleil et/ou à un environnement humide ou chaud. (Fig. 26 et 27)

## Maintenance du compresseur, du dispositif d'air et du tuyau d'air (Fig. 28 et 29)

Après l'utilisation, videz toujours le réservoir du compresseur et nettoyez le filtre à air. L'outil risque de mal fonctionner ou de tomber en panne si l'humidité y pénètre. Vérifiez régulièrement la chambre à air pour vous assurer que le réservoir d'huile contient assez d'huile à outil pneumatique. Les joints toriques s'useront rapidement s'ils ne sont pas toujours bien graissés. (Fig. 30)

Gardez le tuyau d'air à l'écart de la chaleur (plus de 60 °C ou 140 °F) et des produits chimiques (diluant, acides puissants ou substances alcalines). De plus, faites courir le tuyau à l'écart des obstacles où il risquerait de se coincer pendant l'utilisation de l'outil. Les tuyaux doivent également être placés à l'écart des bords tranchants et de toute surface pouvant entraîner l'endommagement ou l'abrasion du tuyau. (Fig. 31)

Pour assurer la SÉCURITÉ et la FIABILITÉ du produit, toutes les réparations, ainsi que tous les travaux d'entretien et de réglage doivent être effectués par un Centre de service après-vente agréé Makita, avec des pièces de rechange Makita.

## ACCESSOIRES FOURNIS EN OPTION

### ⚠ ATTENTION :

- Ces accessoires ou pièces complémentaires sont recommandés pour être utilisés avec l'outil Makita spécifié dans ce mode d'emploi. L'utilisation de tout autre accessoire ou pièce complémentaire peut comporter un risque de blessure. N'utilisez les accessoires ou pièces qu'aux fins auxquelles ils ont été conçus.

Pour obtenir plus de détails sur ces accessoires, contactez votre Centre de service local Makita.

- Clous
- Tuyaux d'air
- Lunettes de sécurité

### REMARQUE :

- Certains éléments de la liste peuvent être inclus en tant qu'accessoires standard dans le coffret de l'outil envoyé. Ils peuvent varier suivant les pays.

### Bruit

ENG905-1

Les niveaux de bruit pondéré A typiques ont été mesurés selon la norme EN ISO 11148 :

#### Modèle AN923

Niveau de pression sonore ( $L_{pA}$ ) : 89 dB (A)

Niveau de puissance sonore ( $L_{WA}$ ) : 102 dB (A)

Incertitude (K) : 3 dB (A)

#### Modèle AN943

Niveau de pression sonore ( $L_{pA}$ ) : 92 dB (A)

Niveau de puissance sonore ( $L_{WA}$ ) : 105 dB (A)

Incertitude (K) : 3 dB (A)

#### Portez des protections auditives.

### Vibrations

ENG904-1

La valeur d'émission des vibrations a été mesurée selon la norme EN ISO 11148 :

#### Modèle AN923

Émission des vibrations ( $a_h$ ) : 4,0 m/s<sup>2</sup>

Incertitude (K) : 1,5 m/s<sup>2</sup>

#### Modèle AN943

Émission des vibrations ( $a_h$ ) : 3,5 m/s<sup>2</sup>

Incertitude (K) : 1,5 m/s<sup>2</sup>

ENG901-1

- La valeur de l'émission des vibrations déclarée a été mesurée conformément à la méthode de test standard et peut être utilisée afin de comparer des outils entre eux.

- La valeur de l'émission des vibrations déclarée peut également être utilisée lors d'une évaluation préliminaire de l'exposition.

**⚠ AVERTISSEMENT :**

- Selon la manière dont l'outil est utilisé, il est possible que l'émission des vibrations pendant l'utilisation réelle de l'outil électrique diffère de la valeur de l'émission déclarée.
- Veuillez à identifier les mesures de sécurité destinées à protéger l'opérateur et établies en fonction de l'estimation de l'exposition dans les conditions réelles d'utilisation (en prenant en compte toutes les étapes du cycle de fonctionnement, telles que les périodes de mise hors tension de l'outil, les périodes de fonctionnement au ralenti et les périodes de mise en route).

**Déclaration de conformité CE**

***Pour les pays d'Europe uniquement***

La Déclaration de conformité CE figure en Annexe A du présent mode d'emploi.

# DEUTSCH (Originalanweisungen)

## Erklärung der Gesamtdarstellung

- |                                       |                            |                    |
|---------------------------------------|----------------------------|--------------------|
| 1. Auslöser                           | 10. Einsteller             | 21. Hammer         |
| 2. Betriebsartenschalter              | 11. Drücker                | 22. Kleine Stange  |
| 3. Aufhänger                          | 12. Druckhebel             | 23. Auswurföffnung |
| 4. Magazin                            | 13. Herunterdrücken        | 24. Treiber        |
| 5. Kontaktelement                     | 14. Loslassen              | 25. Zange          |
| 6. Kompressor-Luftleistung pro Minute | 15. Nagelstopper           | 26. Schlitz        |
| 7. Nagelfrequenz (Auslösungen/Minute) | 16. Anschlussmuffe         | 27. Ablasshahn     |
| 8. Druckluftwerkzeugöl                | 17. Anschlussnippel        | 28. Luftfilter     |
| 9. Adapternase                        | 18. Kontaktauslösungsmodus | 29. Ölser          |
|                                       | 19. Auslösersperre         | 30. Druckluftöl    |
|                                       | 20. Einzelauslösungsmodus  |                    |

## TECHNISCHE DATEN

Modell		AN923	AN943
Luftdruck		0,44 – 0,83 MPa (4,4 – 8,3 bar)	
Befestigungselement	Typ	Kunststoffgebundener Streifennagel (Vollrundkopf)	Papiergebundener Streifennagel (D-Kopf)
	Länge	50 - 90 mm	50 - 90 mm
	Durchmesser	2,9 - 4,1 mm	2,9 - 3,3 mm
	Winkel	21 Grad	34 Grad
Magazinkapazität		64 - 74 Stück	60 - 84 Stück
Druckluftwerkzeugöl		ISO VG32 oder gleichwertiges Öl	
Abmessungen (L x H x B)		559 mm x 347 mm x 109 mm	455 mm x 365 mm x 109 mm
Min. Schlauchdurchmesser		8,5 mm	
Nettogewicht		4,0 kg	

- Aufgrund unserer beständigen Forschungen und Weiterentwicklungen sind Änderungen an den hier angegebenen Technischen Daten ohne Vorankündigung vorbehalten.
- Die Technischen Daten können in den einzelnen Ländern voneinander abweichen.

### Symbole

END106-4

Im Folgenden sind die im Zusammenhang mit diesem Werkzeug verwendeten Symbole dargestellt. Machen Sie sich vor der Benutzung des Werkzeugs unbedingt mit diesen Symbolen vertraut.



..... Lesen Sie die vorliegende Betriebsanleitung.



..... Tragen Sie eine Schutzbrille.



..... Einen Gehörschutz tragen.



..... Das Werkzeug besitzt die Fähigkeit, im Kontaktauslösungsmodus zu arbeiten.



..... Verwenden Sie das Werkzeug nicht auf Gerüsten oder Leitern.

### Vorgesehene Verwendung

ENE059-2

Das Werkzeug ist für vorbereitende Innenarbeiten, wie das Befestigen von Bodenbalken oder allgemeinen Dachsparren und Balkenwerk beim 2" x 4" Hausbau, vorgesehen.

Das Werkzeug ist nur für professionelle Massenanwendung vorgesehen. Benutzen Sie es nicht für andere Zwecke. Es ist nicht dazu ausgelegt, Befestigungselemente direkt auf einer harten Oberfläche, wie z. B. Stahl und Beton, einzutreiben.

## SICHERHEITSWARNUNGEN FÜR DRUCKLUFTNAGLER/-TACKER

ENB132-1

**⚠️ WARNUNG: Lesen Sie alle Sicherheitshinweise und Anweisungen durch.** Die Nichtbeachtung der Warnungen und Anweisungen kann zu schweren Verletzungen, Stromschlag und/oder Feuer führen.

### Bewahren Sie alle Warnungen und Anweisungen für spätere Bezugnahme auf.

Lesen Sie vor dem Gebrauch des Werkzeugs diese Bedienungsanleitung, um die Personensicherheit und die

richtige Bedienung und Wartung des Werkzeugs sicherzustellen.

#### Allgemeine Sicherheitshinweise

1. Jeder andere Gebrauch außer dem beabsichtigten Gebrauch dieses Werkzeugs ist verboten. Eintreibgeräte mit ständiger Kontaktauslösung oder Kontaktauslösung dürfen nur für Produktionsanwendungen verwendet werden.
2. Halten Sie die Finger vom Auslöser fern, wenn Sie dieses Werkzeug nicht benutzen, und wenn Sie von einer Arbeitsposition zu einer anderen wechseln.
3. Mehrfache Gefahren. Lesen und verstehen Sie die Sicherheitsanweisungen, bevor Sie Zubehör am Werkzeug anschließen, abtrennen, laden, betreiben, das Werkzeug warten, oder Zubehör am Werkzeug wechseln. Anderenfalls kann es zu schweren Körperverletzungen kommen.
4. Halten Sie alle Körperteile, wie Hände und Beine usw., aus der Schussrichtung fern, und stellen Sie sicher, dass das Befestigungselement nicht durch das Werkstück hindurch in Teile des Körpers eindringen kann.
5. Beachten Sie bei Benutzung des Werkzeugs, dass das Befestigungselement abgelenkt werden und Verletzungen verursachen kann.
6. Halten Sie das Werkzeug mit festem Griff, und richten Sie sich darauf ein, Rückstoß abzufangen.
7. Nur technisch versierte Bediener sollten das Eintreibgerät benutzen.
8. Unterlassen Sie jegliche Abänderung des Eintreibgeräts. Abänderungen können die Effektivität der Sicherheitsmaßnahmen verringern und die Gefahren für den Bediener und/oder Umstehende erhöhen.
9. Werfen Sie die Betriebsanleitung nicht weg.
10. Benutzen Sie ein Werkzeug nicht, wenn es beschädigt worden ist.
11. Lassen Sie bei der Handhabung von Befestigungselementen, besonders beim Beladen und Entladen, Vorsicht walten, da die Befestigungselemente scharfe Spitzen aufweisen, die Verletzungen verursachen können.
12. Überprüfen Sie das Werkzeug vor Gebrauch immer auf beschädigte, falsch angeschlossene oder verschlissene Teile.
13. Strecken Sie sich bei der Arbeit nicht zu weit vor. Benutzen Sie das Werkzeug nur an einem sicheren Arbeitsplatz. Achten Sie stets auf sicheren Stand und gute Balance.
14. Halten Sie Umstehende fern (wenn Sie in einem Bereich arbeiten, wo die Wahrscheinlichkeit von Passanten-Durchgangsverkehr hoch ist). Grenzen Sie Ihren Arbeitsbereich klar ab.
15. Richten Sie das Werkzeug niemals auf sich selbst oder andere Personen.
16. Legen Sie Ihren Finger nicht auf den Auslöser, wenn Sie das Werkzeug aufheben, sich zwischen Arbeitsbereichen und -positionen bewegen oder gehen, weil das zu einer unbeabsichtigten Betätigung führen kann. Werkzeuge mit selektiver Betätigung sind vor Gebrauch stets zu überprüfen, um sicherzustellen, dass der korrekte Modus gewählt ist.

17. Tragen Sie nur Handschuhe, die ein angemessenes Gefühl und sichere Kontrolle von Auslösern und Einstellvorrichtungen gewähren.
18. Legen Sie das Werkzeug im Ruhezustand auf einer ebenen Fläche ab. Wenn Sie den am Werkzeug angebrachten Aufhänger verwenden, hängen Sie das Werkzeug sicher an einer stabilen Oberfläche auf.
19. Unter dem Einfluss von Alkohol, Drogen oder dergleichen nicht in Betrieb nehmen.

#### Gefahren von Geschossen

1. Das Eintreibgerät ist grundsätzlich von der Druckluftquelle zu trennen, wenn Befestigungselemente entladen, Einstellungen vorgenommen, Nagelstaus beseitigt oder Zubehöerteile gewechselt werden.
2. Achten Sie während der Arbeit darauf, dass die Befestigungselemente das Material korrekt durchdringen und nicht fälschlicherweise auf den Bediener und/oder Umstehende abgelenkt/ abgeschossen werden können.
3. Während der Arbeit können Bruchstücke vom Werkstück und Befestigungs-/Sammelsystem abgegeben werden.
4. Tragen Sie stets eine Schutzbrille, um Ihre Augen bei Verwendung von Elektrowerkzeugen vor Verletzung zu schützen. Die Brille muss den Vorschriften ANSI Z87.1 in den USA, EN 166 in Europa oder AS/NZS 1336 in Australien/ Neuseeland entsprechen. In Australien/ Neuseeland ist das Tragen eines Gesichtsschutzes gesetzlich vorgeschrieben, um auch Ihr Gesicht zu schützen. (Abb. 1) Der Arbeitgeber ist dafür verantwortlich, den Gebrauch von angemessener Schutz-ausrüstung für die Werkzeugbenutzer und andere Personen im unmittelbaren Arbeitsbereich durchzusetzen.
5. Die Gefahren für andere Personen sind vom Bediener zu beurteilen.
6. Lassen Sie bei Werkzeugen ohne Werkstückkontakt Vorsicht walten, weil sie unbeabsichtigt ausgelöst werden können und den Bediener und/oder Umstehende verletzen können.
7. Vergewissern Sie sich stets, dass das Werkzeug sicher auf dem Werkstück aufsitzt und nicht abrutschen kann.
8. Tragen Sie einen Gehörschutz, um Ihre Ohren vor dem Auslassgeräusch zu schützen, und einen Kopfschutz. Tragen Sie außerdem leichte, aber keine weite Kleidung. Ärmel müssen zugeknöpft oder hochgerollt sein. Das Tragen einer Krawatte ist unzulässig.

#### Gefahren beim Betrieb

1. Halten Sie das Werkzeug korrekt: richten Sie sich darauf ein, normalen oder plötzlichen Bewegungen, wie z. B. Rückstoß, entgegenzuwirken.
2. Behalten Sie eine ausbalancierte Körperhaltung und sicheren Stand bei.
3. Tragen Sie eine geeignete Schutzbrille; außerdem wird das Tragen geeigneter Handschuhe und Schutzkleidung empfohlen.
4. Tragen Sie einen geeigneten Gehörschutz.

5. **Verwenden Sie die korrekte Energiequelle gemäß den Anweisungen in der Betriebsanleitung.**
6. **Benutzen Sie das Werkzeug nicht auf beweglichen Plattformen oder auf der Ladefläche von Lastwagen.** Eine plötzliche Bewegung der Plattform kann zum Verlust der Kontrolle über das Werkzeug führen und Verletzungen verursachen.
7. **Gehen Sie stets davon aus, dass sich Befestigungsmittel im Werkzeug befinden.**
8. **Arbeiten Sie nicht überhastet, und verwenden Sie das Werkzeug nicht mit zu hohem Kraftaufwand. Gehen Sie mit dem Werkzeug sorgfältig um.**
9. **Achten Sie beim Arbeiten mit dem Werkzeug auf sicheren Stand und auf Ihr Gleichgewicht.** Stellen Sie sicher, dass sich bei Arbeiten an hochgelegenen Arbeitsplätzen keine Personen unterhalb Ihres Standorts aufhalten, und sichern Sie den Druckluftschlauch, um Gefahren durch plötzliches Rucken oder Hängenbleiben zu vermeiden.
10. **Arbeiten Sie sich beim Eintreiben von Befestigungsmitteln auf Dächern und anderen hochgelegenen Orten in Vorwärtsrichtung.** Wenn Sie sich beim Arbeiten rückwärts bewegen, können Sie leicht den Stand verlieren. Arbeiten Sie beim Eintreiben von Befestigungsmitteln an senkrechten Flächen von oben nach unten. Das Arbeiten auf diese Weise ist weniger ermüdend.
11. **Wenn Sie versehentlich auf ein anderes Befestigungsmittel oder auf einen Ast im Holz treffen, kann sich das Befestigungsmittel verbiegen oder im Werkzeug verklemmen. Das Befestigungsmittel kann herausgeschleudert werden und Personen treffen, oder das Werkzeug selbst kann gefährliche Bewegungen machen. Setzen Sie die Befestigungsmittel mit Sorgfalt.**
12. **Das mit Befestigungsmitteln geladene Werkzeug und den Kompressor nicht längere Zeit der Sonneneinstrahlung aussetzen - insbesondere, wenn sie unter Druck stehen. Achten Sie darauf, dass am Ablageplatz des Werkzeugs keine Fremdkörper wie Staub, Sand, Späne oder sonstige Materialien in das Werkzeug eindringen.**
13. **Treiben Sie Befestigungsmittel niemals gleichzeitig von innen und außen ein. Die Befestigungsmittel können durchschießen und/oder umher fliegen und stellen eine große Gefahr dar.**

#### **RSI-Syndrom verursachende Gefahren**

1. **Wird ein Werkzeug über längere Zeitspannen benutzt, kann der Bediener Beschwerden in Händen, Armen, Schultern, Nacken oder anderen Körperteilen verspüren.**
2. **Bei der Benutzung eines Werkzeugs sollte der Bediener eine geeignete, aber ergonomische Haltung annehmen. Behalten Sie sicheren Stand bei, und vermeiden Sie unbehagliche oder unausbalancierte Haltungen.**
3. **Falls der Bediener Symptome, wie z. B. anhaltende oder immer wiederkehrende Beschwerden, Schmerzen, Pochen, Reißen, Kribbeln, Taubheit, Brennen oder Steifigkeit verspürt, sollten diese Warnzeichen nicht ignoriert werden. Der Bediener sollte einen qualifizierten Gesundheitsexperten in Bezug auf allgemeine Aktivitäten konsultieren.**

4. **Fortgesetzter Gebrauch des Werkzeugs kann RSI-Syndrom durch den vom Werkzeug erzeugten Rückstoß verursachen.**
5. **Um RSI-Syndrom zu vermeiden, sollte sich der Bediener nicht übernehmen oder übermäßige Kraft anwenden. Darüber hinaus sollte der Bediener eine Pause einlegen, wenn er Müdigkeit verspürt.**
6. **Führen Sie eine Gefährdungsabschätzung bezüglich Gefahren durch wiederholte Beanspruchung durch. Diese sollte sich auf Muskel-Skelett-Erkrankungen konzentrieren und vorzugsweise auf der Annahme basieren, dass geringere Ermüdung während der Arbeit effektiv zur Reduzierung von Erkrankungen ist.**

#### **Durch Zubehör und Verbrauchsmaterial verursachte Gefahren**

1. **Trennen Sie das Werkzeug von seiner jeweiligen Energiequelle, wie z. B. Luft oder Gas oder Batterie, wo anwendbar, bevor Sie Zubehörteile, wie z. B. den Werkstückkontakt, austauschen oder Einstellungen vornehmen.**
2. **Verwenden Sie nur Zubehörteile der vom Hersteller gelieferten Größen und Typen.**
3. **Verwenden Sie nur die in dieser Anleitung empfohlenen Schmiermittel.**

#### **Gefahren am Arbeitsplatz**

1. **Ausrutschen, Stolpern und Stürzen sind Hauptursachen für Verletzungen am Arbeitsplatz. Achten Sie auf schlüpfrige Oberflächen, die durch den Gebrauch des Werkzeugs verursacht werden, und auch auf Stolpergefahren, die durch den Druckluftschlauch verursacht werden.**
2. **Lassen Sie in fremden Umgebungen zusätzliche Sorgfalt walten. Verborgene Gefahren, wie z. B. Stromkabel oder andere Versorgungsleitungen, können vorhanden sein.**
3. **Dieses Werkzeug ist nicht für den Einsatz in potenziell explosiven Atmosphären vorgesehen und ist nicht gegen Kontakt mit Strom isoliert.**
4. **Vergewissern Sie sich, dass keine Stromkabel, Gasrohre usw. vorhanden sind, die bei Beschädigung durch den Einsatz des Werkzeugs eine Gefahr darstellen können.**
5. **Der Arbeitsplatz muss sauber, aufgeräumt und gut beleuchtet sein. Unordnung und Dunkelheit am Arbeitsbereich bringen Unfallgefahren mit sich.**
6. **Befolgen Sie etwaige örtliche Lärmschutzvorschriften, und halten Sie die vorgeschriebenen Grenzen für Geräuschpegel ein. In bestimmten Fällen muss der Lärmpegel mit Hilfe von Schallschutzwänden/-lamellen gedämpft werden.**

#### **Durch Staub und Abgase verursachte Gefahren**

1. **Überprüfen Sie stets Ihre Umgebung. Die vom Werkzeug ausgeblasene Luft kann Staub oder Objekte aufwirbeln und den Bediener und/oder Umstehende treffen.**
2. **Lenken Sie die Abluft so, dass Aufwirbelung von Staub in einer staubgefüllten Umgebung minimiert wird.**
3. **Werden Staub oder Objekte im Arbeitsbereich emittiert, reduzieren Sie die Emissionen so weit**



wie möglich, um Gesundheitsrisiken und Verletzungsgefahr zu verringern.

#### Gefahren durch Lärm

1. Ungeschützte Einwirkung von hohen Geräuschpegeln kann permanente, behindernde Gehörschädigung und andere Probleme wie Tinnitus (Klingeln, Sausen, Pfeifen oder Brummen in den Ohren) verursachen.
2. Führen Sie eine Gefährdungsabschätzung bezüglich Lärmgefahren im Arbeitsbereich durch, und realisieren Sie angemessene Kontrollen für diese Gefahren.
3. Geeignete Kontrollen zur Verringerung des Risikos können Maßnahmen, wie Dämpfungsmaterial, beinhalten, um „Klingeln“ von Werkstücken zu verhindern.
4. Verwenden Sie einen geeigneten Gehörschutz.
5. Betreiben und warten Sie das Werkzeug gemäß den Empfehlungen in dieser Anleitung, um eine unnötige Zunahme von Geräuschpegeln zu verhindern.
6. Ergreifen Sie Lärmreduzierungsmaßnahmen, indem Sie beispielsweise Werkstücke auf Schalldämpfungsstützen legen.

#### Gefahren durch Vibrationen

1. Die Schwingungsemission während der Arbeit hängt von der Greifkraft, der Anpresskraft, der Arbeitsrichtung, der Einstellung der Energieversorgung, dem Werkstück und der Werkstückauflage ab. Führen Sie eine Gefährdungsabschätzung bezüglich Vibrationsgefahren durch, und realisieren Sie angemessene Kontrollen für diese Gefahren.
2. Einwirkung von Vibrationen kann behindernde Schäden an den Nerven und Blutgefäßen der Hände und Arme verursachen.
3. Tragen Sie beim Arbeiten unter kalten Bedingungen warme Kleidung, und halten Sie Ihre Hände warm und trocken.
4. Wenn Sie Taubheit, Kribbeln, Schmerzen oder Bleichwerden der Haut an Ihren Fingern oder Händen erleben, holen Sie sich medizinischen Rat von einem qualifizierten Berufsmediziner in Bezug auf allgemeine Aktivitäten.
5. Betreiben und warten Sie das Werkzeug gemäß den Empfehlungen in dieser Anleitung, um eine unnötige Zunahme von Vibrationspegeln zu verhindern.
6. Halten Sie das Werkzeug mit leichtem, aber sicherem Griff, weil die Gefährdung durch Vibrationen bei höherer Greifkraft im Allgemeinen größer ist.

#### Zusätzliche Warnungen für Druckluftwerkzeuge

1. Druckluft kann schwere Verletzungen verursachen.
2. Stellen Sie immer die Druckluftversorgung ab, und trennen Sie das Werkzeug von der Druckluftversorgung, wenn es nicht benutzt wird.
3. Trennen Sie das Werkzeug immer von der Druckluftversorgung, bevor Sie Zubehörteile wechseln, Einstellungen und/oder Reparaturen vornehmen, und wenn Sie sich von einem Arbeitsbereich zu einem anderen bewegen.

4. Halten Sie die Finger vom Auslöser fern, wenn Sie dieses Werkzeug nicht benutzen, und wenn Sie von einer Arbeitsposition zu einer anderen wechseln.
5. Richten Sie Druckluft niemals auf sich selbst oder andere Personen.
6. Peitschende Schläuche können schwere Verletzungen verursachen. Prüfen Sie stets, ob beschädigte oder lockere Schläuche oder Anschlussstutzen vorhanden sind.
7. Tragen Sie ein Druckluftwerkzeug niemals an seinem Schlauch.
8. Ziehen Sie ein Druckluftwerkzeug niemals an seinem Schlauch.
9. Bei Benutzung von Druckluftwerkzeugen darf der maximale Betriebsdruck ps max. nicht überschritten werden.
10. Druckluftwerkzeuge sollten nur mit Druckluft bei der niedrigsten für den Arbeitsvorgang erforderlichen Druckeinstellung betrieben werden, um Lärm und Vibrationen zu verringern und Verschleiß zu minimieren.
11. Die Verwendung von Sauerstoff oder brennbaren Gasen für den Betrieb von Druckluftwerkzeugen erzeugt eine Brand- und Explosionsgefahr.
12. Lassen Sie bei der Benutzung von Druckluftwerkzeugen Vorsicht walten, weil das Werkzeug kalt werden könnte, wodurch Griff und Kontrolle beeinflusst werden.

#### Zusätzliche Warnungen für Werkzeuge mit Kontaktauslösungsvermögen



1. Legen Sie Ihren Finger nicht auf den Auslöser, wenn Sie das Werkzeug aufheben, sich zwischen Arbeitsbereichen und -positionen bewegen oder gehen, weil das zu einer unbeabsichtigten Betätigung führen kann. Werkzeuge mit selektiver Betätigung sind vor Gebrauch stets zu überprüfen, um sicherzustellen, dass der korrekte Modus gewählt ist.
2. Dieses Werkzeug verfügt entweder über selektive Betätigung für Kontaktauslösung oder ständige Kontaktauslösung durch einen Auslösemoduswähler, oder es handelt sich um ein Werkzeug mit Kontaktauslösung oder ständiger Kontaktauslösung, das mit dem obigen Symbol markiert worden ist. Es ist für Produktionsanwendungen, wie z. B. Paletten, Möbel, Fertighäuser, Polstermöbel und Verschalung, vorgesehen.
3. Wenn Sie dieses Werkzeug im Modus für selektive Betätigung verwenden, stellen Sie stets sicher, dass die korrekte Betätigungseinstellung gewählt ist.
4. Verwenden Sie dieses Werkzeug nicht in Kontaktauslösung für Anwendungen, wie z. B. Schließen von Kisten oder Verschlüssen und Anbringen von Transport-Sicherheitssystemen an Anhängern und Lastwagen.

5. **Lassen Sie Vorsicht walten, wenn Sie von einem Eintreibort zu einem anderen wechseln.**

### Sicherheitsvorrichtungen

1. **Stellen Sie vor der Benutzung des Werkzeugs sicher, dass alle Sicherheitssysteme in funktionsfähigem Zustand sind.** Das Werkzeug darf nicht auslösen, wenn nur der Ein-Aus-Schalter betätigt oder nur der Kontaktarm gegen das Holz gedrückt wird. Es darf nur dann auslösen, wenn beides gleichzeitig erfolgt. Überprüfen Sie das Werkzeug ohne Befestigungsmittel und bei voll angezogenem Drücker auf mögliche Funktionsfehler.
2. **Die Arretierung des Auslösers in der EIN-Stellung ist sehr gefährlich.** Versuchen Sie niemals, den Auslöser zu arretieren.
3. **Versuchen Sie nicht, das Kontaktelement mit Klebeband oder Draht in gedrücktem Zustand zu fixieren.** Es besteht Verletzungs- und Lebensgefahr.
4. **Überprüfen Sie stets das Kontaktelement entsprechend der Vorgaben in dieser Anleitung.** Wenn der Sicherheitsmechanismus nicht ordnungsgemäß funktioniert, können unbeabsichtigt Befestigungsmittel aus dem Werkzeug geschossen werden.

### Wartung

1. **Reinigen und warten Sie das Werkzeug direkt nach Beendigung der Arbeiten.** Halten Sie das Werkzeug in einwandfreiem Zustand. Schmieren Sie bewegliche Teile, um Rostbildung zu verhindern und reibungsbedingten Verschleiß zu minimieren. Wischen Sie sämtlichen Staub von den Teilen ab.
2. **Lassen Sie das Werkzeug regelmäßig bei einem autorisierten Makita-Servicecenter überprüfen.**
3. **Um die SICHERHEIT und die ZUVERLÄSSIGKEIT des Produkts zu gewährleisten, dürfen Reparatur- und Wartungsarbeiten ausschließlich von autorisierten Makita-Servicecentern durchgeführt werden.** Es dürfen nur Original-Ersatzteile von Makita verwendet werden.
4. **Befolgen Sie die örtlichen Vorschriften zur Entsorgung des Werkzeugs.**

## DIESE ANWEISUNGEN AUFBEWAHREN.

### **WARNUNG:**

Lassen Sie sich NICHT durch Bequemlichkeit oder Vertrautheit mit dem Produkt (durch wiederholten Gebrauch erworben) von der strikten Einhaltung der Sicherheitsregeln für das vorliegende Produkt abhalten. **MISSBRAUCH** oder Missachtung der Sicherheitsvorschriften in dieser Anleitung können schwere Personenschäden verursachen.

## BEZEICHNUNG DER TEILE (Abb. 2)

## INSTALLATION

### Wahl des Kompressors (Abb. 3)

Der Kompressor muss den Anforderungen von EN60335-2-34 entsprechen.

- Wählen Sie einen Kompressor mit reichlicher Luftdruck- und Luftmengenleistung, um kosteneffizienten Betrieb zu gewährleisten. Das Diagramm zeigt die Beziehung zwischen Nagelfrequenz, anwendbarem Druck und Kompressor-Luftleistung. Wenn der Nagelbetrieb z. B. mit einer Rate von ca. 40 Auslösungen pro Minute bei einem Druck von 0,59 MPa (5,9 bar) erfolgt, ist ein Kompressor mit einer Luftmengenleistung von über 80 Litern pro Minute (über 3 Kubikfuß/Minute) erforderlich. Druckregler müssen verwendet werden, um den Luftdruck auf den Nenndruck des Werkzeugs zu begrenzen, wenn der Luftquellendruck den Nenndruck des Werkzeugs überschreitet. Eine Missachtung dieses Punktes kann zu schweren Verletzungen des Bedieners oder in der Nähe befindlicher Personen führen.

### Auswahl des Luftschauchs (Abb. 4)

- Verwenden Sie einen möglichst kurzen Luftschlauch mit möglichst größtem Durchmesser, um einen unterbrechungsfreien und wirkungsvollen Nagelvorgang zu gewährleisten. Bei einem Luftdruck von 0,49 MPa (4,9 bar) wird ein Luftschlauch mit einem Innendurchmesser von über 8,5 mm (5/16") und einer Länge von unter 20 m (6,6 ft.) empfohlen, wenn das Nagelintervall 0,5 Sekunden beträgt. Die Luftdruckschläuche sollten entweder einen Mindestarbeitsdruck von 1,03 MPa (10,3 bar) oder 150 Prozent des Maximaldrucks des Kompressorsystems haben, je nach dem welcher von beiden höher ist.

### ACHTUNG:

- Eine zu geringe Luftleistung des Kompressors oder ein Luftschlauch mit einer zu großen Länge oder einem zu kleinen Durchmesser in Bezug auf die Nagelfrequenz kann eine Abnahme der Eintreibleistung des Werkzeugs verursachen.

### Schmierung (Abb. 5)

Um maximale Leistung zu gewährleisten, sollte der Luftsatz (Öler, Regler, Luftfilter) möglichst nahe am Werkzeug installiert werden. Stellen Sie den Öler so ein, dass er einen Tropfen Öl für jeweils 30 Nägel liefert. Wenn der Luftsatz längere Zeit nicht verwendet wird, ölen Sie das Werkzeug mit Druckluftwerkzeugöl, indem Sie 2 (zwei) bis 3 (drei) Tropfen in den Anschlussnippel geben. Dies sollte vor und nach dem Gebrauch erfolgen. Für eine einwandfreie Schmierung muss das Werkzeug ein paar Mal ausgelöst werden, nachdem das Druckluftwerkzeugöl eingespritzt wurde. (Abb. 6)

## FUNKTIONSBESCHREIBUNG

### ACHTUNG:

- Verriegeln Sie stets den Auslöser und trennen Sie den Schlauch ab, bevor Sie die Funktion des Werkzeugs einstellen oder überprüfen.

## Adapternase (Zubehör)

### ACHTUNG:

- Verriegeln Sie stets den Auslöser und trennen Sie den Schlauch ab, bevor Sie die Adapternase ein- oder ausbauen.

Verwenden Sie die Adapternase, wenn Sie Werkstücke mit leicht beschädigten Oberflächen nageln.

Befestigen Sie die Adapternase am Kontakttarm. (Abb. 7)

### Einstellen der Nageltiefe (Abb. 8)

Um die Nageltiefe einzustellen, drehen Sie den Einsteller. Die größte Nageltiefe ist gegeben, wenn der Einsteller vollständig in Richtung A wie in der Abbildung dargestellt zeigt. Die Nageltiefe wird immer geringer, je mehr Sie den Einsteller in Richtung B drehen. Falls die Eintreibtiefe der Nägel nicht groß genug ist, selbst wenn der Einsteller vollständig in Richtung A gedreht wird, erhöhen Sie den Luftdruck. Falls die Eintreibtiefe der Nägel zu groß ist, selbst wenn der Einsteller vollständig in Richtung B gedreht wird, verringern Sie den Luftdruck. Im Allgemeinen verlängert sich die Lebensdauer des Im Allgemeinen verlängert sich die Lebensdauer des Werkzeugs bei Verwendung mit möglichst niedrigem Luftdruck und bei Einstellen einer möglichst geringen Eintreibtiefe.

### ACHTUNG:

- Verriegeln Sie stets den Auslöser und trennen Sie den Schlauch ab, bevor Sie Arbeiten am Werkzeug ausführen.

### Anbringen des Hakens (Abb. 9)

### ACHTUNG:

- Verriegeln Sie stets den Auslöser und trennen Sie den Schlauch vom Werkzeug ab.
- Haken Sie das Werkzeug niemals an erhöhten Orten oder an einer instabilen Oberflächen ein.

Der Haken ist nützlich, wenn Sie das Werkzeug vorübergehend aufhängen möchten.

Zur Verwendung des Hakens klappen Sie diesen nach oben, bis er in der geöffneten Position einrastet.

Klappen Sie den Hebel bei Nichtgebrauch nach unten, bis er in der geschlossenen Position einrastet.

## MONTAGE

### ACHTUNG:

- Verriegeln Sie stets den Auslöser und trennen Sie den Schlauch ab, bevor Sie Arbeiten am Werkzeug vornehmen.

### Laden des Naglers (Abb. 10)

Wählen Sie die für Ihre Arbeit geeigneten Nägel aus.

Setzen Sie die Nagelleiste in das Magazin ein. (Abb. 11)

Legen Sie die Nägel so ein, dass sie parallel zur Antriebsführung liegen. (Abb. 12)

Ziehen Sie den Druckhebel nach hinten, damit der Drücker am letzten Nagel einrastet.

### Entladen des Naglers (Abb. 13)

Ziehen Sie den Druckhebel nach hinten. Lassen Sie den Druckhebel wieder los, während Sie den Drücker nach

unten gedrückt halten, so dass er von der Nagelleiste gelöst wird.

Betätigen Sie den Nagelstopper und nehmen Sie die Nagelleiste aus dem Magazin. (Abb. 14)

### Anschließen des Druckluftschlauchs (Abb. 15)

Verriegeln Sie den Auslöser. Schieben Sie die Anschlussmuffe des Luftschlauchs auf den Anschlussnippel des Naglers. Vergewissern Sie sich, dass die Anschlussmuffe einrastet, wenn sie auf den Anschlussnippel geschoben wird. Eine Schlauchkupplung muss so am Werkzeug oder in dessen Nähe installiert werden, dass der Druckvorrat abgelassen wird, wenn die Druckluftkupplung abgetrennt wird.

## BETRIEB

### ACHTUNG:

- Vergewissern Sie sich vor der Benutzung, dass alle Sicherheitssysteme in gutem Betriebszustand sind.


### Wählen der Betriebsart

### ACHTUNG:


- Stellen Sie den Betriebsartenschalter bei Nichtbenutzung immer auf die Auslösersperrstellung.
- Vergewissern Sie sich vor dem Nageln stets, dass der Betriebsartenschalter korrekt auf die Position für den gewünschten Nagelmodus eingestellt ist.

Dieses Werkzeug ist mit einem Betriebsartenschalter ausgestattet. Damit können Sie entweder den Einzelauslösungsmodus oder den Kontaktauslösungsmodus wählen. Sie können den Auslöser auch verriegeln, indem Sie ihn auf die Auslösersperrstellung stellen. (Abb. 16)

### Einzelauslösungsmodus:

Sie können einen einzelnen Nagel in einem sequenziellen Vorgang eintreiben. Wählen Sie diesen Modus, wenn Sie einen Nagel sorgfältig und genau eintreiben wollen. Um diesen Modus zu wählen, stellen Sie den Betriebsartenschalter auf die Position .

### Kontaktauslösungsmodus:

Sie können Nägel wiederholt eintreiben, indem Sie das Kontaktelement bei gezogenem Auslöser platzieren. Um diesen Modus zu wählen, stellen Sie den Betriebsartenschalter auf die Position .

### Funktionsprüfung vor dem Betrieb

Überprüfen Sie vor dem Betrieb stets die folgenden Punkte.

- Vergewissern Sie sich, dass das Werkzeug nicht durch bloßes Anschließen des Druckluftschlauchs betätigt wird.
- Vergewissern Sie sich, dass das Werkzeug nicht durch bloßes Ziehen des Auslösers betätigt wird.
- Vergewissern Sie sich, dass das Werkzeug nicht durch bloßes Drücken des Kontaktelements gegen das Werkstück betätigt wird, ohne den Auslöser zu ziehen.
- Vergewissern Sie sich im Einzelauslösungsmodus, dass das Werkzeug nicht betätigt wird, wenn zuerst der Auslöser gezogen und dann das Kontaktelement gegen das Werkstück gehalten wird.

## Einzelauflösung

Setzen Sie das Kontaktelement auf das Werkstück, und ziehen Sie den Auslöser ganz durch.

Geben Sie das Kontaktelement nach dem Nageln frei, und lassen Sie dann den Auslöser los. **(Abb. 17)**

### ACHTUNG:

- Drücken Sie das Kontaktelement nicht mit übermäßiger Kraft gegen das Werkstück. Ziehen Sie außerdem den Auslöser ganz durch, und halten Sie ihn nach dem Nageln noch 1-2 Sekunden lang gezogen. Selbst im Modus „Einzelauflösung“ verursacht ein halb gezogener Auslöser unerwartetes Abschießen, wenn das Kontaktelement das Werkstück erneut berührt.

## Kontaktauslösung



Ziehen Sie zuerst den Auslöser, und setzen Sie dann das Kontaktelement auf das Werkstück. **(Abb. 18)**

## Schutz-Abzugsmechanismus

Dieses Werkzeug ist mit einem Schutz-Abzugsmechanismus ausgestattet. Wenn nur noch wenige Nägel im Magazin vorhanden sind, wird der Kontaktarm in nicht gedrückter Position verriegelt, um zu verhindern, dass das Werkzeug aktiviert wird. Laden Sie Nägel nach, um den Betrieb fortzusetzen.

## Blockierter Nagler (Abb. 19)

### ACHTUNG:

- Verriegeln Sie stets den Auslöser, trennen Sie den Luftschlauch vom Nagler ab und entnehmen Sie die Nägel aus dem Magazin, bevor Sie eine Blockierung beheben.

Gehen Sie bei einer Blockierung des Naglers folgendermaßen vor:

Führen Sie eine kleine Stange oder dergleichen in die Auswurföffnung ein, und klopfen Sie mit einem Hammer darauf, um den klemmenden Nagel aus der Auswurföffnung zu treiben.

Verwenden Sie eine Zange, um den geklemmten Nagel zu verbiegen, so dass der Nagelkopf aus dem Schlitz des Zuführers herausragt. Entnehmen Sie anschließend den geklemmten Nagel. **(Abb. 20)**

## Nägel (Abb. 21)

Behandeln Sie Nagelcoils und ihre Schachteln sorgfältig. Bei grober Behandlung der Nagelcoils können sie sich verformen, oder ihre Verbinder können brechen, was schlechten Nageltransport verursacht. Vermeiden Sie die Lagerung von Nägeln an sehr feuchten oder heißen Orten oder an Orten, die direktem Sonnenlicht ausgesetzt sind. **(Abb. 22)**

## WARTUNG

### ACHTUNG:

- Trennen Sie stets den Luftschlauch vom Werkzeug ab, bevor Sie eine Inspektion oder Wartung durchführen.

- Verwenden Sie zum Reinigen niemals Kraftstoffe, Benzin, Verdünner, Alkohol oder ähnliches. Dies kann zu Verfärbungen, Verformungen oder Rissen führen.

## Wartung des Naglers

Überprüfen Sie das Werkzeug vor der Benutzung stets auf seinen Allgemeinzustand und lockere Schrauben. Erforderlichenfalls anziehen. **(Abb. 23)**

Führen Sie die tägliche Inspektion bei abgetrenntem Luftschlauch durch, um sicherzustellen, dass sich Kontaktfuß und Auslöser ungehindert bewegen. Benutzen Sie das Werkzeug nicht, falls der Kontaktfuß oder der Auslöser klemmt oder blockiert. **(Abb. 24)**  
Vergewissern Sie sich, dass der Auslöser verriegelt ist, wenn der Umschalthebel auf die Position ☺ gestellt wird. **(Abb. 25)**

Wenn das Werkzeug längere Zeit nicht benutzt werden soll, schmieren Sie es mit Druckluftwerkzeugöl, und lagern Sie es an einem sicheren Ort. Vermeiden Sie Orte, die direktem Sonnenlicht ausgesetzt sind, und feuchte oder heiße Orte. **(Abb. 26 und 27)**

## Wartung von Kompressor, Druckluftarmatur und Druckluftschlauch (Abb. 28 und 29)

Nach jedem Betrieb sollten Kompressortank und Luftfilter entleert werden. In das Werkzeug eingedrungene Feuchtigkeit kann eine Verschlechterung der Leistung und ein mögliches Versagen des Werkzeugs verursachen.

Prüfen Sie regelmäßig, ob genügend Druckluftöl im Öl des Luftsatzes vorhanden ist. Eine Vernachlässigung der Schmierung führt zu schnellem Verschleiß der O-Ringe. **(Abb. 30)**

Halten Sie den Luftschlauch von Wärmequellen (über 60°C, über 140 °F) und Chemikalien (Verdünner, starken Säuren oder Laugen) fern. Achten Sie auch darauf, dass sich der Schlauch nicht an Hindernissen verfängt, was während des Betriebs gefährlich sein kann. Der Schlauch darf auch nicht mit scharfen Kanten oder Gegenständen in Berührung kommen, die eine Beschädigung oder Abrieb des Schlauchs verursachen können. **(Abb. 31)**  
Um die SICHERHEIT und ZUVERLÄSSIGKEIT des Produkts zu gewährleisten, sollten Reparaturen, Wartungsarbeiten und Einstellungen nur durch von Makita autorisierte Servicecenter durchgeführt und immer Makita-Ersatzteile verwendet werden.

## SONDERZUBEHÖR

### ⚠ ACHTUNG:

- Für das in diesem Handbuch beschriebene Makita-Gerät werden die folgenden Zubehör- und Zusatzteile empfohlen. Bei Verwendung anderer Zubehör- und Zusatzteile kann es zu Verletzungen kommen. Verwenden Sie Zubehör- und Zusatzteile nur für den vorgesehenen Zweck.

Informationen zu diesem Zubehör erhalten Sie von Ihrem Makita-Servicecenter.

- Nagel
- Luftschläuche
- Sicherheitsgläser

## HINWEIS:

- Einige der in der Liste aufgeführten Elemente sind dem Werkzeugpaket als Standardzubehör beigelegt. Diese können in den einzelnen Ländern voneinander abweichen.

**Schallpegel** ENG905-1  
Typischer A-bewerteter Schallpegel nach EN ISO 11148:

### Modell AN923

Schalldruckpegel ( $L_{pA}$ ): 89 dB (A)  
Schalleistungspegel ( $L_{WA}$ ): 102 dB (A)  
Abweichung (K): 3 dB (A)

### Modell AN943

Schalldruckpegel ( $L_{pA}$ ): 92 dB (A)  
Schalleistungspegel ( $L_{WA}$ ): 105 dB (A)  
Abweichung (K): 3 dB (A)

**Tragen Sie Gehörschutz.**

**Schwingung** ENG904-1  
Die Schwingungsbelastung wird gemäß EN ISO 11148 bestimmt:

### Modell AN923

Schwingungsbelastung ( $a_h$ ): 4,0 m/s<sup>2</sup>  
Abweichung (K): 1,5 m/s<sup>2</sup>

### Modell AN943

Schwingungsbelastung ( $a_h$ ): 3,5 m/s<sup>2</sup>  
Abweichung (K): 1,5 m/s<sup>2</sup>

ENG901-1

- Der hier angegebene Wert für die erzeugten Schwingungen wurde gemäß dem genormten Testverfahren ermittelt und kann als Vergleich zu anderen Werkzeugen herangezogen werden.
- Der angegebene Wert für die erzeugten Schwingungen ist außerdem für eine vorbeugende Bewertung der Belastung zu verwenden.

## **WARNUNG:**

- Die Schwingungsbelastung kann bei tatsächlichem Gebrauch des Elektrowerkzeugs in Abhängigkeit von der Handhabung des Elektrowerkzeugs von dem hier aufgeführten Wert abweichen.
- Stellen Sie sicher, dass Schutzmaßnahmen für den Bediener getroffen werden, die auf den unter den tatsächlichen Arbeitsbedingungen zu erwartenden Belastungen beruhen (beziehen Sie alle Bestandteile des Arbeitsablaufs ein, also zusätzlich zu den Arbeitszeiten auch Zeiten, in denen das Werkzeug ausgeschaltet ist oder ohne Last läuft).

## **EG-Konformitätserklärung**

### **Nur für europäische Länder**

Die EG-Konformitätserklärung liegt dieser Betriebsanleitung als Anhang A bei.

## ITALIANO (Istruzioni originali)

### Spiegazione della vista generale

- |   |   |                          |
|---|---|--------------------------|
| 1. Grilletto                            | 12. Leva del dispositivo di spinta              | 22. Asticciola           |
| 2. Leva di commutazione                 | 13. Abbassare                                   | 23. Foro di espulsione   |
| 3. Gancio                               | 14. Riportare                                   | 24. Avvitatore           |
| 4. Caricatore                           | 15. Fermo del chiodo                            | 25. Pinze                |
| 5. Elemento di contatto                 | 16. Presa aria                                  | 26. Fessura              |
| 6. Uscita aria compressore al minuto    | 17. Elemento aria                               | 27. Rubinetto di scarico |
| 7. Frequenza di chiodatura (volte/min.) | 18. Modalità di azionamento a contatto          | 28. Filtro aria          |
| 8. Olio pneumatico                      | 19. Blocco del grilletto                        | 29. Oliatore             |
| 9. Adattatore becco                     | 20. Modalità di azionamento singolo in sequenza | 30. Olio pneumatico      |
| 10. Regolatore                          | 21. Martello                                    |                          |
| 11. Dispositivo di spinta               |   |                          |

## CARATTERISTICHE TECNICHE

Modello		AN923	AN943
Pressione aria		0,44 – 0,83 Mpa (4,4 – 8,3 bar)	
Elemento di fissaggio	Tipo	Chiodi su nastro di plastica (con testa interamente tonda)	Chiodi su nastro di carta (con testa a semiluna)
	Lunghezza	50 - 90 mm	50 - 90 mm
	Diametro	2,9 - 4,1 mm	2,9 - 3,3 mm
	Angolo	21 gradi	34 gradi
Capacità del caricatore		64 - 74 pezzi	60 - 84 pezzi
Olio per utensili pneumatici		ISO VG32 o equivalente	
Dimensioni (L x P x A)		559 mm x 347 mm x 109 mm	455 mm x 365 mm x 109 mm
Diametro minimo tubo		8,5 mm	
Peso netto		4,0 kg	

- Le caratteristiche tecniche riportate di seguito sono soggette a modifiche senza preavviso in virtù del nostro programma continuo di ricerca e sviluppo.
- Le caratteristiche tecniche possono differire da paese a paese.

### Simboli

END106-4

Di seguito sono riportati i simboli utilizzati per l'apparecchio. È importante comprenderne il significato prima dell'uso.



..... Leggere il manuale di istruzioni.



..... Indossare gli occhiali di protezione.



..... Indossare protezioni per le orecchie.



..... L'utensile ha la capacità di funzionare in modalità di azionamento a contatto.



..... Non utilizzare su impalcature o scale a pioli.

### Utilizzo previsto

ENE059-2

Questo utensile è destinato al lavoro preliminare in interni, come la chiodatura di travi di pavimenti o di comuni travetti, e lavoro su intelaiature di assi 2" x 4" per edilizia. L'utensile è destinato esclusivamente ad applicazioni professionali per volumi elevati. Non utilizzarlo per altri scopi di alcun genere. Non è progettato per applicare elementi di fissaggio direttamente su superfici dure, quali acciaio e calcestruzzo.

## AVVISI DI SICUREZZA RELATIVI ALLA CHIODATRICE/ GRAFFATRICE PNEUMATICA

ENB132-1

**⚠ AVVERTENZA: Leggere tutte le avvertenze di sicurezza e tutte le istruzioni.** La mancata osservanza delle avvertenze e delle istruzioni potrebbe risultare in lesioni personali gravi, scosse elettriche e/o incendi.

### Conservare tutte le avvertenze e le istruzioni come riferimento futuro.

Per la sicurezza personale e il funzionamento e la manutenzione corretti dell'utensile, leggere il presente manuale d'uso prima di utilizzare l'utensile.

## Sicurezza generale

1. Qualsiasi altro utilizzo eccettuato quello a cui è destinato questo utensile è vietato. Gli utensili di applicazione di elementi di fissaggio con azionamento a contatto continuo o con azionamento a contatto vanno utilizzati solo per applicazioni di produzione.
2. Tenere le dita lontane dal grilletto quando non si utilizza il presente utensile e quando si intende passare da una posizione di utilizzo a un'altra.
3. Pericoli multipli. Leggere e comprendere le istruzioni di sicurezza prima di collegare, scollegare, caricare, utilizzare e sottoporre a manutenzione l'utensile, nonché prima di sostituire gli accessori o lavorare in prossimità dell'utensile. La mancata osservanza di questa indicazione potrebbe risultare in gravi lesioni corporee.
4. Tenere tutte le parti del corpo, quali mani, gambe, e così via, lontane dalla direzione di sparo, e assicurare che l'elemento di fissaggio non possa trapassare il pezzo in lavorazione penetrando in parti del corpo.
5. Quando si utilizza l'utensile, tenere presente che l'elemento di fissaggio potrebbe venire deviato e causare lesioni personali.
6. Mantenere l'utensile con una presa salda ed essere preparati a gestire un contraccolpo.
7. Solo operatori dotati di esperienza tecnica dovrebbero utilizzare l'utensile di applicazione di elementi di fissaggio.
8. Non modificare l'utensile di applicazione di elementi di fissaggio. Le modifiche potrebbero ridurre l'efficacia delle misure di sicurezza e incrementare i rischi nei confronti dell'operatore e/o degli astanti.
9. Non smaltire il manuale d'uso.
10. Non utilizzare un utensile qualora quest'ultimo sia stato danneggiato.
11. Fare attenzione nel maneggiare i elementi di fissaggio, specialmente quando nel caricarli e scaricarli, in quanto i elementi di fissaggio hanno delle punte acuminata che possono causare lesioni personali.
12. Controllare sempre l'utensile prima dell'uso alla ricerca di parti rotte, collegate male o usurate.
13. Non sporgersi. Utilizzare solo in un luogo di lavoro sicuro. Mantenere una posizione corretta sui piedi e l'equilibrio in qualsiasi momento.
14. Tenere lontani gli astanti (quando si lavora in un'area in cui sussiste la probabilità di traffico di passaggio di persone). Contrassegnare in modo chiaro l'area di utilizzo.
15. Non puntare mai l'utensile verso se stessi o altri.
16. Non tenere appoggiato il dito sul grilletto quando si prende l'utensile, quando ci si sposta tra aree e posizioni operative o quando si cammina, in quanto l'appoggio del dito sul grilletto può portare a un funzionamento accidentale. Per gli utensili con azionamento selettivo, controllare sempre l'utensile prima di utilizzarlo per verificare che la modalità corretta sia selezionata.

17. Indossare solo guanti che forniscano una sensibilità adeguata e un controllo sicuro dei grilletti e di qualsiasi dispositivo di regolazione.
18. Quando si intende appoggiare l'utensile, appoggiarlo sulla superficie piana. Se si utilizza il gancio in dotazione con l'utensile, agganciare l'utensile saldamente a una superficie stabile.
19. Non utilizzare l'utensile sotto l'effetto di alcool, droghe o simili.

## Pericoli propulsivi

1. L'utensile per l'applicazione di elementi di fissaggio va scollegato quando si intende scaricare elementi di fissaggio, effettuare regolazioni, eliminare inceppamenti o sostituire accessori.
2. Durante il funzionamento, fare attenzione affinché i elementi di fissaggio penetrino correttamente nel materiale e non possano venire deviati o sparati per errore verso l'operatore e/o eventuali astanti.
3. Durante il funzionamento, potrebbero venire scaricati detriti dal pezzo in lavorazione e dal sistema di fissaggio/raccolta.
4. Indossare sempre occhiali protettivi per proteggere gli occhi da lesioni personali, quando si utilizzano utensili elettrici. Gli occhiali devono essere conformi allo standard ANSI Z87.1 negli Stati Uniti, allo standard EN 166 in Europa o allo standard AS/NZS 1336 in Australia/Nuova Zelanda. In Australia/Nuova Zelanda, è obbligatorio per legge indossare anche una visiera per proteggere il volto. (Fig. 1)  
È responsabilità del datore di lavoro far rispettare l'utilizzo delle attrezzature protettive di sicurezza appropriate da parte degli operatori degli utensili e di altre persone nell'area di lavoro e nelle immediate vicinanze.
5. I rischi nei confronti di altre persone devono essere valutati dall'operatore.
6. Fare attenzione agli utensili privi di elemento di contatto con il pezzo in lavorazione, in quanto possono sparare accidentalmente e causare lesioni all'operatore e/o agli astanti.
7. Accertarsi che l'utensile sia sempre saldamente in contatto con il pezzo in lavorazione e non possa scivolare.
8. Indossare protezioni per l'udito, per proteggere le orecchie dal rumore dello scarico, e una protezione per la testa. Inoltre, indossare indumenti leggeri ma non abbondanti. Le maniche vanno abbottonate o arrotolate sul braccio. Non indossare cravatte.

## Pericoli d'uso

1. Mantenere correttamente l'utensile: prepararsi a contrastare movimenti normali o improvvisi, ad esempio i contraccolpi.
2. Mantenere una posizione del corpo bilanciata e una posizione salda sui piedi.
3. È necessario utilizzare occhiali di protezione appropriati, ed è consigliato l'utilizzo di guanti e indumenti protettivi appropriati.
4. È necessario utilizzare protezioni per l'udito appropriate.

5. **Utilizzare la fonte di energia corretta, come illustrato nel manuale d'uso.**
6. **Non utilizzare l'utensile su piattaforme mobili o sul retro dei camion.** Un movimento improvviso della piattaforma potrebbe far perdere il controllo dell'utensile e causare lesioni personali.
7. **Dare sempre per scontato che l'utensile contenga elementi di fissaggio.**
8. **Non affrettare il lavoro né forzare l'utensile. Maneggiare l'utensile con attenzione.**
9. **Fare attenzione al punto di appoggio dei piedi e mantenere l'equilibrio con l'utensile.** Accertarsi che non sia presente alcuna persona sotto di sé quando si lavora in ubicazioni elevate, e fissare il tubo flessibile dell'aria per evitare pericoli qualora si verifichi uno strappo o un inceppamento improvviso.
10. **Sui tetti e su altre ubicazioni elevate, evitare gli elementi di fissaggio man mano che si procede in avanti.** È facile perdere l'appoggio con i piedi se si avvitano gli elementi di fissaggio mentre si procede poco a poco all'indietro. Quando si intende evitare elementi di fissaggio su una superficie perpendicolare, lavorare dall'alto verso il basso. In tal modo è possibile effettuare operazioni di avvitatura con uno sforzo fisico minore.
11. **Qualora per errore si avviti un elemento di fissaggio al di sopra di un altro elemento di fissaggio o si colpisca un nodo nel legno, un elemento di fissaggio verrà piegato o l'utensile potrebbe incepparsi. L'elemento di fissaggio potrebbe venire scagliato via e colpire qualcuno, oppure l'utensile stesso potrebbe reagire in modo pericoloso. Posizionare gli elementi di fissaggio con cura.**
12. **Non lasciare l'utensile carico o il compressore d'aria sotto pressione per un periodo di tempo prolungato all'aperto al sole.** Accertarsi che polvere, sabbia, schegge e materiale estraneo non penetrino nell'utensile nell'ubicazione in cui lo si lascia a riposo.
13. **Non tentare mai di avvitare gli elementi di fissaggio sia dall'interno che dall'esterno allo stesso tempo.** Gli elementi di fissaggio potrebbero distruggere il materiale e/o volare via, costituendo un grave pericolo.

#### **Pericoli dovuti ai movimenti ripetuti**

1. **Quando si utilizza un utensile per periodi di tempo prolungati, l'operatore potrebbe provare disagio alle mani, alle braccia, alle spalle, al collo o in altre parti del corpo.**
2. **Quando si utilizza un utensile, l'operatore dovrebbe adottare una postura idonea ma ergonomica. Mantenere un equilibrio saldo sui piedi ed evitare posture innaturali o sbilanciate.**
3. **Qualora l'operatore provi sintomi quali disagi persistenti o ricorrenti, dolori, palpitazioni, dolori, formicolii, intorpidimenti, sensazioni di bruciore o rigidità, non ignorare questi segni di avvertimento. L'operatore dovrebbe consultare un operatore sanitario qualificato relativamente alle attività nel loro complesso.**
4. **L'uso continuo dell'utensile potrebbe causare lesioni personali da tensione ripetuta, dovute al contraccolpo prodotto dall'utensile.**

5. **Per evitare lesioni personali da sforzo ripetuto, l'operatore non dovrebbe sporgersi eccessivamente né applicare forza eccessiva. Inoltre, l'operatore dovrebbe fare una pausa quando avverte affaticamento.**
6. **Eseguire una valutazione dei rischi relativa ai pericoli riguardanti i movimenti ripetitivi. Tale valutazione dovrebbe concentrarsi sui disturbi muscolo-scheletrici ed essere basata preferibilmente sul presupposto che una riduzione dell'affaticamento durante il lavoro sia efficace nel ridurre i disturbi.**

#### **Pericoli relativi agli accessori e ai materiali di consumo**

1. **Prima di cambiare o sostituire accessori, quali l'elemento di contatto con il pezzo in lavorazione, o di effettuare qualsiasi regolazione, scollegare la fonte di energia dell'utensile, ad esempio aria, gas o batterie, a seconda dei casi.**
2. **Utilizzare esclusivamente le dimensioni e i tipi di accessori forniti dal produttore.**
3. **Utilizzare esclusivamente i lubrificanti consigliati nel presente manuale.**

#### **Pericoli relativi al posto di lavoro**

1. **Scivolamenti, passi falsi e cadute sono cause principali di lesioni personali sul posto di lavoro. Fare attenzione alle superfici scivolose causate dall'utilizzo dell'utensile e anche ai pericoli di inciampare causati dal tubo flessibile del condotto d'aria.**
2. **Procedere con ulteriore attenzione in ambienti circostanti non familiari. Potrebbero essere presenti pericoli nascosti, ad esempio linee elettriche o di altri servizi pubblici.**
3. **Il presente utensile non è destinato all'uso in atmosfere potenzialmente esplosive, e non è isolato dall'entrare in contatto con l'energia elettrica.**
4. **Accertarsi che non siano presenti cavi elettrici, tubi del gas, e così via, che potrebbero causare un pericolo qualora vengano danneggiati dall'utilizzo dell'utensile.**
5. **Mantenere l'area di lavoro pulita e ben illuminata.** Aree di lavoro ingombre o buie favoriscono gli incidenti.
6. **Potrebbero sussistere normative locali da rispettare relativamente al rumore, mantenendo i livelli di rumore entro i limiti prescritti. In certi casi, vanno utilizzate delle serrande per contenere il rumore.**

#### **Pericoli relativi alle polveri e allo scarico**

1. **Controllare sempre l'ambiente circostante. L'aria scaricata dall'utensile potrebbe soffiare polveri oppure oggetti e colpire l'operatore e/o gli astanti.**
2. **Indirizzare lo scarico in modo da ridurre al minimo i turbini di polveri in ambienti pieni di polveri.**
3. **Qualora nell'area di lavoro vengano emesse polveri oppure oggetti, ridurre al minimo tali emissioni per quanto possibile, per ridurre i pericoli relativi alla salute e il rischio di lesioni personali.**



#### Pericoli relativi al rumore

1. L'esposizione non protetta a livelli elevati di rumore può causare perdite di udito permanenti e invalidanti, nonché altri problemi quali il tinnito (tintinnii, ronzii, o fischi nelle orecchie).
2. Eseguire una valutazione dei rischi relativa ai pericoli riguardanti i rumori nell'area di lavoro e implementare controlli appropriati relativi a tali pericoli.
3. Controlli appropriati per ridurre il rischio potrebbero includere azioni quali l'uso di materiali fonoassorbenti per evitare che i pezzi in lavorazione di lavoro producano suoni squillanti.
4. Utilizzare protezioni per l'udito appropriate.
5. Utilizzare e sottoporre a manutenzione l'utensile come consigliato nelle presenti istruzioni, per evitare un aumento non necessario dei livelli di rumore.
6. Adottare delle misure per la riduzione dei rumori, ad esempio il posizionamento dei pezzi in lavorazione su supporti fonoassorbenti.

#### Pericoli relativi alle vibrazioni

1. L'emissione di vibrazioni durante l'uso dipende dalla forza di impugnatura, dalla forza della pressione di contatto, dalla direzione di lavoro, dalla regolazione della fonte di energia, dal pezzo in lavorazione e dal supporto del pezzo in lavorazione. Eseguire una valutazione dei rischi relativa ai pericoli riguardanti le vibrazioni e implementare controlli appropriati relativi a tali pericoli.
2. L'esposizione alle vibrazioni può causare danni invalidanti ai nervi e alla circolazione del sangue alle mani e alle braccia.
3. Indossare indumenti caldi quando si intende lavorare in condizioni di freddo, e tenere le mani calde e asciutte.
4. Qualora si avvertano intorpidimenti, formicolii, dolori o sbiancamenti della pelle delle dita o delle mani, cercare assistenza medica da parte di un operatore sanitario specializzato in medicina del lavoro relativamente alle attività nel loro complesso.
5. Utilizzare e sottoporre a manutenzione l'utensile come consigliato nelle presenti istruzioni, per evitare un aumento non necessario dei livelli delle vibrazioni.
6. Mantenere l'utensile con una presa leggera ma salda, poiché il rischio dovuto alle vibrazioni in genere aumenta quando la forza di impugnatura è più elevata.

#### Avvertenze aggiuntive per gli utensili pneumatici

1. L'aria compressa può causare gravi lesioni personali.
2. Chiudere sempre l'alimentazione dell'aria e scollegare l'utensile dall'alimentazione dell'aria quando non è in uso.
3. Scollegare sempre l'utensile dall'alimentazione di aria compressa prima di sostituire gli accessori, effettuare regolazioni e/o riparazioni, quando ci si sposta da un'area di utilizzo a un'area diversa.

4. Tenere le dita lontane dal grilletto quando non si utilizza l'utensile e quando si passa da una posizione di utilizzo a un'altra.
5. Non dirigere mai l'aria compressa verso se stessi o altri.
6. I tubi flessibili che scattano come fruste possono causare gravi lesioni personali. Controllare sempre l'eventuale presenza di tubi flessibili o raccordi danneggiati o allentati.
7. Non trasportare mai un utensile pneumatico afferrandolo per il suo tubo flessibile.
8. Non trascinare mai un utensile pneumatico afferrandolo per il suo tubo flessibile.
9. Quando si utilizzano utensili pneumatici, non superare la pressione massima di esercizio (ps max).
10. Gli utensili pneumatici vanno alimentati solo mediante aria compressa alla pressione più bassa richiesta per la procedura di lavoro, al fine di ridurre rumori e vibrazioni, nonché di ridurre al minimo l'usura.
11. L'uso di ossigeno o gas combustibili per il funzionamento di utensili pneumatici crea un pericolo di incendi ed esplosioni.
12. Fare attenzione quando si utilizzano utensili pneumatici, in quanto l'utensile potrebbe diventare freddo, influenzando l'impugnatura e il controllo.

#### Avvertenze aggiuntive per gli utensili dotati di funzionalità di azionamento a contatto



1. Non tenere appoggiato il dito sul grilletto quando si prende l'utensile, quando ci si sposta tra aree e posizioni operative o quando si cammina, in quanto l'appoggio del dito sul grilletto può portare a un funzionamento accidentale. Per gli utensili con azionamento selettivo, controllare sempre l'utensile prima di utilizzarlo per verificare che la modalità corretta sia selezionata.
2. Il presente utensile consente l'azionamento selettivo per l'azionamento a contatto o l'azionamento a contatto continuo, mediante selettori della modalità di azionamento, oppure è un utensile con azionamento a contatto o azionamento a contatto continuo, ed è stato contrassegnato con il simbolo indicato sopra. Gli usi a cui è destinato sono applicazioni di produzione quali pallet, arredamenti, prefabbricati, tappezzerie e rivestimenti.
3. Se si intende utilizzare il presente utensile in modalità di azionamento selettivo, accertarsi sempre che sia nell'impostazione di azionamento corretta.
4. Non utilizzare il presente utensile in azionamento a contatto per applicazioni quali la chiusura di scatole o casse e l'applicazione di sistemi di sicurezza per il trasporto su rimorchi e camion.
5. Fare attenzione quando si intende passare da un'ubicazione di applicazione a un'altra.

## Dispositivi di sicurezza

1. **Accertarsi che tutti i sistemi di sicurezza siano perfettamente funzionanti prima dell'uso.** L'utensile non deve attivarsi se si preme solo l'interruttore a grilletto o se si preme solo il braccio di contatto contro il legno. L'utensile deve funzionare solo quando si eseguono entrambe queste azioni. Verificare il possibile funzionamento difettoso senza caricare gli elementi di fissaggio e con il dispositivo di spinta in posizione completamente tirata.
2. **Il fissaggio del grilletto sulla posizione ACCESO è estremamente pericoloso.** Non tentare mai di fissare il grilletto.
3. **Non tentare di mantenere l'elemento di contatto premuto con nastro o fil di ferro.** In caso contrario, sussiste il pericolo di morte o di gravi lesioni personali.
4. **Controllare sempre l'elemento di contatto come indicato nel presente manuale.** Gli elementi di fissaggio potrebbero venire avvitati accidentalmente, qualora il meccanismo di sicurezza non funzioni correttamente.

## Assistenza

1. **Effettuare la pulizia e la manutenzione subito dopo aver terminato il lavoro.** Mantenere l'utensile in condizioni ottimali. Lubrificare le parti mobili per evitare che si arrugginiscono e ridurre al minimo l'usura relativa alla frizione. Pulire tutte le polveri dalle parti.
2. **Richiedere a un centro di assistenza autorizzato Makita l'ispezione a intervalli regolari dell'utensile.**
3. **Per preservare la SICUREZZA e l'AFFIDABILITÀ del prodotto, la manutenzione e la riparazione vanno eseguite da parte di centri di assistenza autorizzati Makita, utilizzando sempre pezzi di ricambio Makita.**
4. **Attenersi alle normative locali quando si intende smaltire l'utensile.**

## CONSERVARE LE PRESENTI ISTRUZIONI.

**⚠ AVVERTENZA:**  
**NON** lasciare che comodità o la familiarità d'utilizzo con il prodotto (acquisita con l'uso ripetuto) sostituisca la stretta osservanza delle norme di sicurezza per il prodotto in questione. L'USO IMPROPRIO o la mancata osservanza delle norme di sicurezza indicate nel presente manuale di istruzioni potrebbero causare gravi lesioni personali.

## DESCRIZIONE DELLE PARTI (Fig. 2)

## INSTALLAZIONE

### Selezione del compressore (Fig. 3)

Il compressore dell'aria deve essere conforme ai requisiti di EN60335-2-34.

- Per un funzionamento efficiente, selezionare un compressore con una pressione e un'uscita dell'aria ampie. Il grafico mostra il rapporto tra la frequenza di chiodatura, la pressione applicabile e l'uscita d'aria del

compressore. Perciò, se per esempio la chiodatura avviene a una velocità di circa 40 volte al minuto a una compressione di 0,59 MPa (5,9 bar), è necessario un compressore con un'uscita dell'aria di oltre 3 CFM (30 pd<sup>3</sup>/minuto). Per limitare la pressione dell'aria alla pressione nominale dell'utensile se la pressione di alimentazione dell'aria supera la pressione nominale, è necessario usare regolatori di pressione. In caso contrario, è presente pericolo di lesioni serie per l'operatore e per chi è vicino.

### Selezione del tubo dell'aria (Fig. 4)

- Per garantire un'operazione di chiodatura efficiente e continua, utilizzare un tubo dell'aria il più corto possibile e con il diametro più grande possibile. Con una pressione d'aria di 0,49 Mpa (4,9 bar) e un intervallo tra una chiodatura e l'altra di 0,5secondi, si consiglia un tubo con un diametro interno di oltre 8,5 mm (5/16") e una lunghezza di meno di 20 m (66,6 ft.). I tubi di alimentazione dell'aria devono avere un coefficiente della pressione minima di esercizio di 1,03 MPa (10,3 bar) o del 150 per cento rispetto alla pressione massima prodotta nel sistema, a prescindere da qualunque di questo valore sia più alto.

### ATTENZIONE:

- Una bassa uscita dell'aria del compressore o un tubo dell'aria lungo o con un diametro interno più piccolo in rapporto alla frequenza di chiodatura, potrebbero causare una diminuzione delle capacità dell'utensile.

### Lubrificazione (Fig. 5)

Per garantire le massime prestazioni, installare un gruppo aria (oliatore, regolatore, filtro aria) quanto più vicino possibile all'utensile. Regolare l'oliatore in modo che venga fornita una goccia d'olio ogni 30 chiodi. Se non si usa un gruppo aria, oliare l'utensile con l'olio pneumatico mettendo 2 o 3 gocce nell'elemento dell'aria. Questo va fatto prima e dopo l'uso. Per la lubrificazione corretta, l'utensile deve essere usato un paio di volte dopo l'introduzione dell'olio pneumatico. (Fig. 6)

## DESCRIZIONE FUNZIONALE

### ATTENZIONE

- Bloccare sempre il grilletto e staccare il tubo prima di regolare o di controllare il funzionamento dell'utensile.

### Adattatore becco (optional)

### ATTENZIONE:

- Mettere sempre la sicura al grilletto e staccare il tubo dell'aria prima di installare e/o rimuovere l'adattatore del becco.

Quando si utilizza la chiodatrice per sparare chiodi su superfici delicate, utilizzare l'adattatore del becco. Collegare l'adattatore del becco al braccio di contatto. (Fig. 7)

### Regolazione della profondità di chiodatura (Fig. 8)

Per regolare la profondità di chiodatura, ruotare il regolatore. La profondità di chiodatura maggiore si ha con il regolatore ruotato completamente nella direzione A,

come mostrato nella figura. Essa si riduce man mano che il regolatore viene ruotato nella direzione B. Se non è possibile conficcare i chiodi a una profondità sufficiente anche con il regolatore ruotato completamente nella direzione A, aumentare la pressione dell'aria. Se non è possibile conficcare i chiodi a una profondità sufficiente anche con il regolatore ruotato completamente nella direzione B, aumentare la pressione dell'aria. In genere, la vita di servizio dell'utensile diventa più lunga se viene usato con una pressione d'aria più bassa e il regolatore impostato su un numero più basso.

#### **ATTENZIONE:**

- Bloccare sempre il grilletto e staccare il tubo prima di regolare la profondità di chiodatura.

### **Installazione del gancio (Fig. 9)**

#### **ATTENZIONE:**

- Bloccare sempre il grilletto e staccare il tubo dall'utensile.
- Non appendere l'utensile a supporti potenzialmente instabili o in posizioni elevate.

Il gancio è utile per appendere temporaneamente l'utensile.

Per utilizzare il gancio, è sufficiente sollevarlo fino a quando scatta e rimane aperto.

Se l'utensile non viene utilizzato, abbassare il gancio fino a quando scatta e rimane chiuso.

## **MONTAGGIO**

#### **ATTENZIONE:**

- Bloccare sempre il grilletto e staccare il tubo prima di qualsiasi intervento sull'utensile.

### **Caricamento della chiodatrice (Fig. 10)**

Selezionare i chiodi adatti al lavoro. Inserire la striscia di chiodi nello scomparto. (Fig. 11)

Caricare i chiodi in modo che risultino paralleli alla guida. (Fig. 12)

Tirare la leva del dispositivo di spinta all'indietro per innestare il dispositivo di spinta fino all'ultimo chiodo.

### **Scaricamento della chiodatrice (Fig. 13)**

Tirare la leva del dispositivo di spinta all'indietro. Fare ritornare la leva del dispositivo di spinta all'indietro tenendo premuto il dispositivo di spinta per disinnestarlo dalla striscia di chiodi.

Premere il fermo del chiodo e rimuovere la striscia di chiodi dallo scomparto. (Fig. 14)

### **Collegamento del tubo dell'aria (Fig. 15)**

Bloccare il grilletto. Inserire la presa d'aria del tubo dell'aria sull'elemento dell'aria della chiodatrice. Accertarsi che la presa d'aria sia fissata saldamente in posizione quando è installata sull'elemento dell'aria. È necessario installare un accoppiatore del tubo sulla parte superiore o vicino all'utensile in modo che il serbatoio della pressione si scarichi quando l'accoppiatore di alimentazione dell'aria viene staccato.

## **FUNZIONAMENTO**

#### **ATTENZIONE:**

- Accertarsi che tutti i sistemi di sicurezza funzionino correttamente prima dell'uso.

### **Selezione della modalità operativa**


#### **ATTENZIONE:**

- Quando l'utensile non è in uso, impostare sempre la leva di commutazione sulla posizione di blocco del grilletto.
- Prima di effettuare la chiodatura, accertarsi sempre che la leva di commutazione sia impostata correttamente sulla posizione della modalità di chiodatura desiderata.


Questo utensile è dotato di una leva di commutazione. È possibile selezionare la modalità di azionamento singolo in sequenza oppure la modalità di azionamento a contatto con tale leva. È anche possibile bloccare il grilletto impostando la leva sulla posizione di blocco del grilletto. (Fig. 16)

#### **Modalità di azionamento singolo in sequenza:**

È possibile applicare un singolo chiodo mediante una singola operazione in sequenza. Selezionare questa modalità quando si intende applicare un singolo chiodo con cura e in modo preciso.

Per selezionare questa modalità, impostare la leva di commutazione sulla posizione .

#### **Modalità di azionamento a contatto:**

È possibile applicare i chiodi ripetutamente appoggiando l'elemento di contatto mentre si tiene premuto il grilletto. Per selezionare questa modalità, impostare la leva di commutazione sulla posizione .

### **Controllo del funzionamento corretto prima dell'uso**

Prima dell'uso, controllare sempre i punti seguenti.

- Accertarsi che l'utensile non funzioni se si è soltanto collegato il tubo flessibile dell'aria.
- Accertarsi che l'utensile non funzioni se si è soltanto premuto il grilletto.
- Accertarsi che l'utensile non funzioni se si è soltanto appoggiato l'elemento di contatto contro il pezzo in lavorazione senza aver premuto il grilletto.
- In modalità di azionamento singolo in sequenza, accertarsi che l'utensile non funzioni quando si preme prima il grilletto e poi si appoggia l'elemento di contatto contro il pezzo in lavorazione.

### **Azionamento singolo in sequenza**

Appoggiare l'elemento di contatto contro il pezzo in lavorazione e premere a fondo il grilletto.

Dopo la chiodatura, rilasciare l'elemento di contatto, quindi rilasciare il grilletto. (Fig. 17)

#### **ATTENZIONE:**

- Non appoggiare l'elemento di contatto contro il pezzo in lavorazione con forza eccessiva. Inoltre, premere a fondo il grilletto e tenerlo premuto per 1-2 secondi dopo la chiodatura. Anche nella modalità di "Azionamento singolo in sequenza", un grilletto premuto a metà causa una chiodatura imprevista, quando l'elemento di

contatto entra di nuovo in contatto con il pezzo in lavorazione.

## Azionamento a contatto



Premere prima il grilletto, quindi appoggiare l'elemento di contatto contro il pezzo in lavorazione. (Fig. 18)

## Meccanismo anti-incendio

Questo utensile è munito di un meccanismo anti-incendio. Se nello scartamento restano solo alcuni chiodi, il braccio di contatto verrà bloccato nella posizione non premuta per impedire l'attivazione dell'utensile. Per riutilizzare l'utensile, caricare più chiodi.

## Inceppamento della chiodatrice (Fig. 19)

### ATTENZIONE:

- Bloccare sempre il grilletto, staccare il tubo e rimuovere i chiodi dalla chiodatrice prima di eliminare un inceppamento.

Quando la chiodatrice s'inceppa, procedere come segue: Inserire un'asticciola od un altro oggetto simile nel foro di espulsione, e dare dei colpi con un martello per fare uscire il chiodo inceppato dal foro di espulsione.

Utilizzare le pinze per piegare il chiodo inceppato in modo che la testa del chiodo fuoriesca dalla fessura nella guida del trapano. Quindi rimuovere il chiodo inceppato.

(Fig. 20)

## Chiodi (Fig. 21)

Maneggiare con cura le bobine chiodi e la relativa scatola. Se i chiodi sono stati maneggiati in modo errato, potrebbero essere deformati o staccati, causando una scarsa alimentazione dei chiodi.

Non conservare i chiodi in un luogo molto umido o caldo. Non esporli alla luce diretta del sole. (Fig. 22)

## MANUTENZIONE

### ATTENZIONE:

- Staccare sempre il tubo dell'aria prima di eseguire operazioni di ispezione o manutenzione.
- Evitare assolutamente di usare benzina, diluenti, solventi, alcol o sostanze simili. In caso contrario, potrebbero verificarsi scoloriture, deformazioni o incrinature.

## Manutenzione della chiodatrice

Prima dell'uso, controllare sempre le condizioni generali dell'utensile e l'eventuale presenza di viti allentate.

Serrarle, se necessario. (Fig. 23)

Con l'utensile staccato, controllare quotidianamente che l'elemento di contatto e il grilletto si muovano liberamente. Non usare l'utensile se l'elemento di contatto o il grilletto rimangono incollati o bloccati. (Fig. 24)

Accertarsi che il grilletto sia bloccato quando si posiziona la leva di cambio su ☹. (Fig. 25)

Se non si intende usare l'utensile per un lungo periodo di tempo, lubrificarlo usando l'olio pneumatico e conservarlo

in un posto sicuro. Evitare l'esposizione alla luce diretta del sole e o ad ambienti umidi o caldi. (Fig. 26 e 27)

## Manutenzione del compressore, del gruppo aria e del tubo dell'aria (Fig. 28 e 29)

Dopo il lavoro, scaricare sempre il serbatoio del compressore e il filtro dell'aria. Se nell'utensile entra umidità, si potrebbe verificare uno scadimento delle prestazioni ed anche un guasto dell'utensile.

Controllare regolarmente che nell'oliatore del gruppo aria sia presente olio pneumatico a sufficienza. Una lubrificazione insufficiente causa la rapida usura degli anelli di tenuta. (Fig. 30)

Tenere il tubo dell'aria lontano dal calore (oltre 60°C) e dalle sostanze chimiche (solventi, acidi o alcali forti). Inoltre, disporre il tubo dove non sono presenti ostacoli sui quali potrebbe pericolosamente impigliarsi durante il lavoro. I tubi devono anche essere tenuti lontani dai bordi taglienti e dai punti che potrebbero danneggiarli o causare l'abrasione. (Fig. 31)

Per mantenere la SICUREZZA e l'AFFIDABILITÀ del prodotto, qualsiasi altra manutenzione o regolazione deve essere fatta da un centro di assistenza Makita autorizzato usando sempre ricambi Makita.

## ACCESSORI OPZIONALI

### ⚠ ATTENZIONE:

- Si consiglia l'uso dei seguenti accessori per l'utensile Makita descritto in questo manuale. L'uso di qualsiasi altro accessorio potrebbe provocare lesioni personali. Utilizzare gli accessori esclusivamente per l'uso dichiarato.

Per l'assistenza e per ulteriori informazioni su tali accessori, rivolgersi al centro assistenza Makita di zona.

- Chiodi
- Tubi dell'aria
- Occhiali di sicurezza

### NOTA:

- Alcuni degli accessori elencati potrebbero essere inclusi nella confezione dell'utensile come accessori standard. Gli accessori standard possono differire da paese a paese.

### Rumore

ENG905-1

Il tipico livello di rumore ponderato "A" è determinato in conformità con la norma EN ISO 11148:

#### Modello AN923

Livello di pressione sonora ( $L_{pA}$ ): 89 dB (A)

Livello di potenza sonora ( $L_{WA}$ ): 102 dB (A)

Variazione (K): 3 dB (A)

#### Modello AN943

Livello di pressione sonora ( $L_{pA}$ ): 92 dB (A)

Livello di potenza sonora ( $L_{WA}$ ): 105 dB (A)

Variazione (K): 3 dB (A)

**Indossare una protezione acustica.**

## Vibrazioni

ENG904-1

Il valore di emissione delle vibrazioni è determinato in conformità con la norma EN ISO 11148:

### Modello AN923

Emissione delle vibrazioni ( $a_h$ ): 4,0 m/s<sup>2</sup>

Variazione (K): 1,5 m/s<sup>2</sup>

### Modello AN943

Emissione delle vibrazioni ( $a_h$ ): 3,5 m/s<sup>2</sup>

Variazione (K): 1,5 m/s<sup>2</sup>

ENG901-1

- Il valore di emissione delle vibrazioni dichiarato è stato misurato in conformità con il metodo di test standard e può essere utilizzato per confrontare tra loro diversi utensili.
- Il valore dell'emissione delle vibrazioni dichiarato può anche essere usato per stime preliminari dell'esposizione.

### AVVERTENZA:

- L'emissione delle vibrazioni durante l'uso effettivo dell'utensile elettrico può risultare diversa rispetto al valore dichiarato, in base alla modalità d'uso dell'utensile.
- Assicurarsi di individuare le necessarie misure di sicurezza per proteggere l'operatore in base a una stima dell'esposizione nelle condizioni reali di utilizzo (prendendo in considerazione tutte le fasi del ciclo operativo, come quante volte l'utensile viene spento e i periodi in cui rimane inattivo, oltre al tempo di avviamento).

## Dichiarazione di conformità CE

### *Solo per i paesi europei*

La dichiarazione di conformità CE è inclusa nell'Allegato A di questo manuale di istruzioni.

## NEDERLANDS (Originele instructies)

### Verklaring van het onderdelenoverzicht

1. Trekker	12. Aandrukkerhendel	22. Dunne stang
2. Wisselhendel	13. Indrukken	23. Schietmond
3. Haak	14. Terug	24. Stoter
4. Magazijn	15. Nagelstopper	25. Tang
5. Contactschoen	16. Persluchtaansluiting (vrouwelijk)	26. Gleuf
6. Compressorluchttopbrengst per minuut	17. Persluchtaansluiting (mannelijk)	27. Aftapkraantje
7. Nagelsnelheid (nagels/min.)	18. Bedieningsfunctie voor herhaaldelijk schieten	28. Luchtfilter
8. Olie voor pneumatisch gereedschap	19. Trekkervergrendeling	29. Smeerinrichting
9. Neusadapter	20. Bedieningsfunctie voor enkelvoudig opeenvolgend schieten	30. Olie voor pneumatisch gereedschap
10. Stelring	21. Hamer	

## TECHNISCHE GEGEVENS

Model		AN923	AN943
Luchtdruk		0,44 - 0,83 MPa (4,4 - 8,3 bar)	
Bevestigingsmiddel	Type	Kunststof gedragen stripnagels (volronde kop)	Papier gedragen stripnagels (afgeknotte kop)
	Lengte	50 - 90 mm	50 - 90 mm
	Diameter	2,9 - 4,1 mm	2,9 - 3,3 mm
	Hoek	21 graden	34 graden
Capaciteit van magazijn		64 - 74 stuks	60 - 84 stuks
Olie voor pneumatisch gereedschap		ISO VG32 of gelijkwaardig	
Afmetingen (L x H x B)		559 mm x 347 mm x 109 mm	455 mm x 365 mm x 109 mm
Min. slangdiameter		8,5 mm	
Netto gewicht		4,0 kg	

- Als gevolg van ons doorlopende onderzoeks- en ontwikkelingsprogramma, zijn de technische gegevens van dit gereedschap onderhevig aan veranderingen zonder voorafgaande kennisgeving.
- De technische gegevens kunnen van land tot land verschillen.

### Symbolen

END106-4

Hieronder staan de symbolen die voor dit gereedschap worden gebruikt. Zorg ervoor dat u weet wat ze betekenen alvorens het gereedschap te gebruiken.



..... Lees de gebruiksaanwijzing.



..... Draag een veiligheidsbril.



..... Draag gehoorbescherming.



..... Het gereedschap heeft de mogelijkheid om te werken in de functie voor herhaaldelijk schieten.



..... Gebruik het gereedschap niet op een steiger of ladder.

### Gebruiksdoeleinden

ENE059-2

Dit gereedschap is bedoeld voor voorbereidende afbouw, zoals het bevestigen van vloerbalken of dakspanten en stijl- en regelwerk in houtskeletbouw (2" x 4"). Het gereedschap is uitsluitend bedoeld voor professionele toepassingen met hoge volumes. Gebruik het niet voor enig ander doel. Het is niet bedoeld om bevestigingsmiddelen rechtstreeks in een hard oppervlak (zoals staal of beton) te schieten.

## WAARSCHUWINGEN VOOR PNEUMATISCH NAGELPISTOOL/ NIETPISTOOL

ENB132-1

**⚠ WAARSCHUWING: Lees alle veiligheidswaarschuwingen en alle instructies.** Het niet volgen van de waarschuwingen en instructies kan leiden tot elektrische schokken, brand en/of ernstig letsel.

**Bewaar alle waarschuwingen en instructies om in de toekomst te kunnen raadplegen.**

Omwille van uw persoonlijke veiligheid en de juiste werking en onderhoud van het gereedschap, leest u deze

gebruiksaanwijzing alvorens het gereedschap te gebruiken.

### Algemene veiligheidswaarschuwingen

1. Al het overige gebruik buiten het beoogde gebruik van dit gereedschap is verboden. Gereedschappen die bevestigingsmiddelen aanbrengen door middel van continu herhaaldelijk schieten of herhaaldelijk schieten mogen uitsluitend worden gebruikt in productietoepassingen.
2. Houd uw vingers uit de buurt van de trekker wanneer u het gereedschap niet gebruikt en wanneer u het verplaatst van de ene werkplek naar de andere.
3. Meerdere gevaren. U moet de veiligheidsinstructies lezen en begrijpen voordat u het gereedschap aansluit, loskoppelt, laadt, bedient, onderhoudt, van accessoires voorziet of in de buurt ervan werkt. Als u dit niet doet, kan dat leiden tot ernstig lichamelijk letsel.
4. Houd alle lichaamsdelen, zoals handen, benen, enz., uit de schietrichting en verzeker u ervan dat het bevestigingsmiddel niet door het werkstuk heen in een lichaamsdeel kan schieten.
5. Wees bij gebruik van het gereedschap erop bedacht dat het bevestigingsmiddel kan afketsen en letsel kan veroorzaken.
6. Houd het gereedschap stevig vast en wees voorbereid om de terugslag op te vangen.
7. Alleen vakbekwame gebruikers mogen het bevestigingsgereedschap bedienen.
8. Wijzig het bevestigingsgereedschap niet. Wijzigingen kunnen de effectiviteit van de veiligheidsvoorzieningen verlagen en de risico's voor de gebruiker en/of omstanders vergroten.
9. Gooi de gebruiksaanwijzing niet weg.
10. Gebruik het gereedschap niet als het gereedschap beschadigd is.
11. Wees voorzichtig bij het hanteren van de bevestigingsmiddelen, met name bij het laden en verwijderen, omdat de bevestigingsmiddelen scherpe punten hebben die letsel kunnen veroorzaken.
12. Controleer het gereedschap altijd vóór gebruik op kapotte, verkeerd aangesloten of versleten onderdelen.
13. Reik niet te ver. Gebruik uitsluitend op een veilige werkplek. Zorg altijd voor een stevige stand en goede lichaamsbalans.
14. Houd omstanders uit de buurt (bij het werken op een plaats waar waarschijnlijk mensen voorbij komen). Zet uw werkgebied duidelijk af.
15. Richt het gereedschap nooit op uzelf of anderen.
16. Plaats uw vinger nooit om de trekker wanneer u het gereedschap oppakt, wanneer u naar een andere werkplek of -positie gaat, en wanneer u met het gereedschap loopt omdat de vinger om de trekker tot onbedoelde bediening van het gereedschap kan leiden. Voor gereedschappen waarop de bedieningsfunctie kan worden gekozen, controleert u altijd het gereedschap vóór gebruik om er zeker van te zijn dat de correcte bedieningsfunctie is gekozen.

17. Draag uitsluitend handschoenen die voldoende gevoel en een veilige bediening van de trekker en alle afstel mogelijkheden bieden.
18. Als u het gereedschap neerlegt, legt u het neer op een vlakke ondergrond. Als u de haak van het gereedschap gebruikt, hangt u het gereedschap veilig op een stabiel oppervlak op.
19. Bedien het gereedschap niet onder invloed van alcohol, drugs en dergelijke.

### Gevaren door projectielen

1. Het bevestigingsgereedschap moet worden losgekoppeld wanneer bevestigingsmiddelen worden verwijderd, afstellingen worden gemaakt, vastgelopen bevestigingsmiddelen worden verwijderd en accessoires worden verwisseld.
2. Let er tijdens gebruik op dat de bevestigingsmiddelen het materiaal correct penetreren en niet kunnen afketsen of per ongeluk in de richting van de gebruiker en/of omstanders worden geschoten.
3. Tijdens gebruik kan afval vanaf het werkstuk en het bevestigings-/verzamelstelsel worden weggevoerd.
4. Draag tijdens het gebruik van elektrisch gereedschap altijd een veiligheidsbril om uw ogen te beschermen tegen letsel. De bril moet voldoen aan ANSI Z87.1 in de Verenigde Staten, aan EN 166 in Europa, en aan AS/NZS 1336 in Australië en Nieuw-Zeeland. In Australië en Nieuw-Zeeland is het wettelijk verplicht om tevens een spatscherm te dragen om uw gezicht te beschermen (zie afb. 1). Het is de verantwoordelijkheid van de werkgever om ervoor te zorgen dat geschikte beschermingsmiddelen gebruikt worden door de gebruikers van het gereedschap en anderen in de onmiddellijke omgeving van de werkplek.
5. De risico's voor anderen moeten worden beoordeeld door de gebruiker.
6. Wees voorzichtig met gereedschappen zonder contactschonen omdat deze onbedoeld kunnen worden afgeschoten en letsel kunnen veroorzaken bij de gebruiker en/of omstanders.
7. Zorg er altijd voor dat het gereedschap veilig op het werkstuk is geplaatst en niet kan wegglijden.
8. Draag gehoorbescherming om uw oren te beschermen tegen het uitlaatgeluid en draag hoofdbescherming. Draag tevens lichte maar geen losse kleding. Manchetten moeten dichtgeknoopt zijn of de mouwen moeten worden opgerold. Draag geen stropdas.

### Gevaren bij gebruik

1. Houd het gereedschap correct vast: wees voorbereid om normale of plotselinge bewegingen, zoals terugslag, op te vangen.
2. Zorg voor een goede lichaamsbalans en stevige stand.
3. Een geschikte veiligheidsbril moet worden gebruikt en geschikte handschoenen en beschermende kleding worden aanbevolen.
4. Geschikte gehoorbescherming moet worden gedragen.

5. **Gebruik de correcte voeding, zoals beschreven in de gebruiksaanwijzing.**
6. **Gebruik het gereedschap niet op bewegende platformen of in de laadruimte van vrachtwagens.** Door een plotselinge beweging van het platform kunt u de controle over het gereedschap verliezen en kan letsel worden veroorzaakt.
7. **Ga er altijd vanuit dat in het gereedschap bevestigingsmiddelen zitten.**
8. **Werk niet gehaast en forceer het gereedschap niet. Hanteer het gereedschap voorzichtig.**
9. **Zorg ervoor dat u tijdens het gebruik van het gereedschap stevig staat en uw evenwicht goed bewaart.** Controleer dat er niemand onder u staat wanneer u op een hoge plaats werkt, en maak de luchtslang vast om gevaarlijke situaties te voorkomen als er plotseling aan wordt getrokken of deze bekneld raakt.
10. **Op daken en andere hoge plaatsen schroeft u bevestigingsmiddelen erin terwijl u voorwaarts beweegt.** U glijdt gemakkelijk weg als u bevestigingsmiddelen erin schroeft terwijl u achterwaarts kruipt. Als u bevestigingsmiddelen in een rechtopstaande ondergrond schroeft, werkt u van boven naar beneden. U kunt op deze manier schroeven zonder snel vermoeid te raken.
11. **Een bevestigingsmiddel zal krom gaan of het gereedschap kan vastlopen als u per ongeluk bovenop een ander bevestigingsmiddel of in een knoest in het hout schroeft. Het bevestigingsmiddel kan wegschieten en iemand raken, of het gereedschap zelf kan gevaarlijk terugslaan. Kies de plaats voor het bevestigingsmiddel met zorg.**
12. **Laat het geladen gereedschap of de luchtcompressor onder druk, niet gedurende een lange tijd in de zon liggen. Zorg ervoor dat stof, zand, houtsnippers en vreemde stoffen niet kunnen binnendringen in het gereedschap op de plaats waar u het laat liggen.**
13. **Probeer nooit tegelijkertijd van binnenuit en van buitenaf bevestigingsmiddelen erin te schroeven.** De bevestigingsmiddelen kunnen er dwars doorheen schieten of afketsen en een groot gevaar opleveren.

#### **Gevaren door herhalende bedieningen**

1. **Wanneer een gereedschap gedurende een lange tijd wordt gebruikt, kan de gebruiker een oncomfortabel gevoel ervaren in de handen, armen, schouders, nek of andere lichaamsdelen.**
2. **Bij gebruik van een gereedschap moet de gebruiker een geschikte en ergonomische houding aannemen. Zorg ervoor dat u stevig staat en vermijd lastige en ongebalanceerde houdingen.**
3. **Als de gebruiker symptomen ervaart, zoals aanhoudende of terugkerende ongemakken, pijn, kloppingen, tintelen, gevoelloosheid, brandend gevoel of stijfheid, mag u deze tekenen niet negeren. De gebruiker dient een vakbekwame zorgmedewerker te raadplegen aangaande zijn algemene activiteiten.**
4. **Het ononderbroken gebruik van het gereedschap kan leiden tot RSI (Repetitive Strain Injury) als gevolg van de terugslag van het gereedschap.**

5. **Om RSI (Repetitive Strain Injury) te voorkomen, mag de gebruiker niet te ver reiken of buitensporige kracht uitoefenen. Bovendien moet de gebruiker rusten wanneer hij/zij zich moe voelt.**
6. **Voer een risicobeoordeling uit met betrekking tot het gevaar van zich herhalende bewegingen. Deze moet zich richten op skelet-spieraandoeningen en dient bij voorkeur te zijn gebaseerd op de aanname dat een afname van de vermoeidheid tijdens het werken effectief is in het verminderen van de aandoeningen.**

#### **Gevaren door accessoires en verbruiksartikelen**

1. **Koppel de voeding, zoals perslucht, gas of accu al naar gelang van toepassing, naar het gereedschap los alvorens accessoires zoals de contactschoen te verwisselen/vervangen, of het gereedschap af te stellen.**
2. **Gebruik uitsluitend de grootte en het type accessoires die door de fabrikant worden geleverd.**
3. **Gebruik uitsluitend smeermiddelen aanbevolen in deze handleiding.**

#### **Gevaren door de werkplek**

1. **Uitglijden, struikelen en vallen zijn de hoofdoorzaken van letsel op de werkplek. Wees bedacht op gladde oppervlakken veroorzaakt door het gebruik van het gereedschap en tevens op struikelgevaar veroorzaakt door de persluchtslang.**
2. **Wees extra voorzichtig in een onbekende omgeving. Er kunnen verborgen gevaren zijn, zoals elektriciteits- of andere nutsleidingen.**
3. **Dit gereedschap is niet voor gebruik in omgevingen met explosiegevaar en is niet geïsoleerd tegen aanraking van stroomvoerende kabels.**
4. **Verzekeer u ervan dat er geen elektriciteitskabels, gasleidingen, enz. zijn die een gevaarlijke situatie zouden kunnen veroorzaken als ze worden beschadigd door het gebruik van dit gereedschap.**
5. **Houd uw werkplek schoon en zorg voor goede verlichting. Op een rommelige of donkere werkplek gebeuren vaker ongevallen.**
6. **Er kunnen plaatselijk regels gelden met betrekking tot geluid, waaraan u zich dient te houden door de geluidsproductie onder het voorgeschreven niveau te houden. In bepaalde gevallen moeten geluidsschermen worden gebruikt om het geluidsniveau te beperken.**

#### **Gevaren door stof en uitlaatgassen**

1. **Controleer altijd de omgeving. De lucht die het gereedschap uitstoot, kan stof of voorwerpen wegblazen die de gebruiker en/of omstanders kunnen raken.**
2. **Richt de uitlaat zodanig dat in een zeer stoffige omgeving het opwerpen van stof minimaal is.**
3. **Als stof of voorwerpen worden uitgestoten in de werkomgeving, vermindert u de uitstoot zo veel mogelijk om de gezondheidsrisico's en kans op letsel te verkleinen.**



### Gevaren door geluid

1. Onbeschermde blootstelling aan hoge geluidsniveaus kan leiden tot permanente en onherstelbare gehoorschade en andere problemen zoals tinnitus (sis-, fluit-, brom- of pieptonen in het oor).
2. Voer een risicobeoordeling uit met betrekking tot gevaren door geluid op de werkplek en tref geschikte beheersmaatregelen voor deze gevaren.
3. Geschikte methoden om het risico te verkleinen zijn onder andere het gebruik van dempingsmaterialen die voorkomen dat werkstukken 'meezingen'.
4. Gebruik geschikte gehoorbescherming.
5. Bedien en onderhoud het gereedschap zoals aanbevolen in deze instructies om een onnodige toename van het geluidsniveau te voorkomen.
6. Tref geluidsverminderende maatregelen, bijvoorbeeld door het werkstuk op geluiddempende ondersteuning te plaatsen.

### Gevaren door trillingen

1. De trillingsemissie tijdens gebruik is afhankelijk van de grijpkracht, de contactdruk, de werkrichting, de afstelling van de voeding, het werkstuk en de ondersteuning van het werkstuk. Voer een risicobeoordeling uit met betrekking tot gevaren door trillingen en tref geschikte beheersmaatregelen voor deze gevaren.
2. Blootstelling aan trillingen kan onherstelbare schade aanrichten aan de zenuwen en bloedvaten van de handen en armen.
3. Draag warme kleding tijdens het werken onder koude omstandigheden, en houd uw handen warm en droog.
4. U kunt gevoelloosheid, tintelen, pijn of verdroging van de huid van uw vingers of handen ervaren. Vraag een vakbekwame bedrijfsarts om medisch advies aangaande uw algemene activiteiten.
5. Bedien en onderhoud het gereedschap zoals aanbevolen in deze instructies om een onnodige toename van de trillingsniveaus te voorkomen.
6. Houd het gereedschap vast met een lichte, maar veilige greep omdat het risico door trillingen doorgaans groter is wanneer de grijpkracht hoger is.

### Aanvullende waarschuwingen voor pneumatische gereedschappen

1. Perslucht kan ernstig letsel veroorzaken.
2. Sluit altijd de luchttoevoer af en koppel het gereedschap los van de luchttoevoer wanneer u het niet gebruikt.
3. Koppel het gereedschap altijd los van de persluchttoevoer voordat u accessoires verwisselt, afstellingen en/of reparaties uitvoert, en het gereedschap verplaatst van de ene werkplek naar de andere.
4. Houd uw vingers uit de buurt van de trekker wanneer u het gereedschap niet gebruikt en wanneer u het verplaatst van de ene werkplek naar de andere.
5. Richt de perslucht nooit op uzelf of iemand anders.

6. Een zwiepende slang kan ernstig letsel veroorzaken. Controleer altijd op beschadigde of losse slangen of koppelingen.
7. Draag een pneumatisch gereedschap nooit aan zijn slang.
8. Sleep een pneumatisch gereedschap nooit aan zijn slang.
9. Bij gebruik van pneumatische gereedschappen mag u nooit de maximumwerkdruk (ps max) overschrijden.
10. Pneumatische gereedschappen mogen uitsluitend worden gevoed door perslucht van de laagste druk die vereist is voor de werkwijze om het geluids- en trillingsniveau te verlagen en de slijtage te minimaliseren.
11. Als zuurstof of brandbaar gas wordt gebruikt om pneumatische gereedschappen te bedienen, ontstaat brand- en explosiegevaar.
12. Wees voorzichtig bij het gebruik van pneumatische gereedschappen aangezien het gereedschap koud kan worden waardoor de grip en controle kunnen afnemen.

### Aanvullende waarschuwingen voor gereedschappen met de mogelijkheid van herhaaldelijk schieten



1. Plaats uw vinger nooit om de trekker wanneer u het gereedschap oppakt, wanneer u naar een andere werkplek of -positie gaat, en wanneer u met het gereedschap loopt omdat de vinger om de trekker tot onbedoelde bediening van het gereedschap kan leiden. Voor gereedschappen waarop de bedieningsfunctie kan worden gekozen, controleert u altijd het gereedschap vóór gebruik om er zeker van te zijn dat de correcte bedieningsfunctie is gekozen.
2. Op dit gereedschap kan de bedieningswijze worden gekozen uit herhaaldelijk schieten of continu schieten door middel van een bedieningsfunctie-keuzeknop, of het gereedschap werkt met herhaaldelijk schieten of continu schieten en is gemarkeerd met het bovenstaande symbool. Het beoogde gebruik is voor productietoepassingen, zoals pallets, meubels, huizenbouw, stoffering en plaatwerk.
3. Bij gebruik van dit gereedschap waarbij de bedieningswijze kan worden gekozen, controleert u altijd of het in de correcte bedieningsfunctie staat.
4. Gebruik dit gereedschap niet in de bedieningsfunctie herhaaldelijk schieten in toepassingen zoals het sluiten van kisten of kratten en het bevestigen van transportbeveiligingssystemen op vrachtwagens en aanhangers.
5. Wees voorzichtig bij het verplaatsen van de ene bevestigingsplaats naar de andere.

### Veiligheidsvoorzieningen

1. Controleer voor gebruik dat alle veiligheidssystemen goed werken. Het

gereedschap mag niet werken als alleen de trekverschakelaar wordt ingeknepen of als alleen de contactschonen op het hout wordt gedrukt. Het gereedschap mag alleen werken als beide handelingen tegelijkertijd worden uitgevoerd. Test op mogelijke defecte werking wanneer geen bevestigingsmiddelen zijn geladen en de aandrukker helemaal uitgetrokken is.

2. **De trekker vastzetten in de AAN-stand is zeer gevaarlijk.** Probeer nooit de trekker vast te zetten.
3. **Probeer niet de contactschonen voortdurend ingedrukt te houden met tape of draad.** Dit kan leiden tot de dood of ernstig letsel.
4. **Controleer altijd de contactschonen volgens de instructies in deze gebruiksaanwijzing.** Als het veiligheidsmechanisme niet goed werkt, kunnen bevestigingsmiddelen per ongeluk worden ingedraaid.

#### Service

1. **Voer reinigings- en onderhoudswerkzaamheden onmiddellijk uit nadat u klaar bent met werken.** Houd het gereedschap in optimale conditie. Smeer bewegende delen om roesten te voorkomen en slijtage door wrijving te minimaliseren. Veeg alle stof van de onderdelen af.
2. **Vraag een erkend Makita-servicecentrum regelmatig het gereedschap te inspecteren.**
3. **Om de VEILIGHEID en BETROUWBAARHEID van het gereedschap te handhaven, dienen onderhoud en reparaties te worden uitgevoerd door een erkend Makita-servicecentrum, en altijd met gebruikmaking van originele Makita-ervangingsonderdelen.**
4. **Houd u aan de plaatselijke regelgeving bij het verwerken van het gereedschap.**

## BEWAAR DEZE INSTRUCTIES.

### WAARSCHUWING:

Laat u NIET misleiden door een vals gevoel van comfort en bekendheid met het gereedschap (na veelvuldig gebruik) en neem alle veiligheidsvoorschriften van het betreffende gereedschap altijd strikt in acht. VERKEERD GEBRUIK of het niet naleven van de veiligheidsvoorschriften in deze gebruiksaanwijzing kan leiden tot ernstig persoonlijk letsel.

## BESCHRIJVING VAN DE ONDERDELEN (zie afb. 2)

### AANSLUITEN

#### Een compressor kiezen (zie afb. 3)

De luchtcompressor moet voldoen aan de vereisten van EN60335-2-34.

- Kies een compressor die ruim voldoende luchtdruk en luchtdebiet levert om verzekerd te zijn van een kostenefficiënte werking. De grafiek geeft de relatie aan tussen de nagelsnelheid, toepasselijke luchtdruk en compressorluchtdebiet. Als bijvoorbeeld het nagelen ongeveer 40 keer per minuut wordt uitgevoerd met een luchtdruk van 0,59 MPa (5,9 bar), is een

compressor met een luchtdebiet van meer dan 85 l/min (5.100 l/u) vereist. Als de toegevoerde luchtdruk hoger is dan de nominale luchtdruk van het gereedschap, moeten drukregulators worden gebruikt om de luchtdruk te beperken tot de nominale luchtdruk van het gereedschap. Als u dit niet doet kunnen de gebruiker van het gereedschap en personen in de buurt ernstig letsel oplopen.

#### De perslucht slang kiezen (zie afb. 4)

- Gebruik een perslucht slang met een zo groot mogelijk diameter die zo kort mogelijk is om verzekerd te zijn van ononderbroken en efficiënt nagelen. Als het interval tussen twee nagels 0,5 seconden is, wordt bij een luchtdruk van 0,49 MPa (4,9 bar), een lucht slang met een inwendige diameter van 8,5 mm en een lengte van minder dan 20 m aanbevolen. Lucht slangen moeten een nominale minimumwerkdruk hebben van 1,03 MPa (10,3 bar) of 150 procent van de maximumdruk die door het systeem wordt geleverd, al naar gelang welke hoger is.

#### LET OP:

- Als de compressorluchtdebiet lager is, of de lucht slang een kleinere inwendige diameter heeft of langer is inhouding tot de nagelsnelheid, kan het nagelvermogen van het gereedschap teruglopen.

#### Smeren (zie afb. 5)

Om van maximale prestaties verzekerd te zijn, monteert u een luchtset (smeerinrichting, drukregulator, luchtfilter) zo dicht mogelijk bij het gereedschap. Stel de smerinrichting zodanig in dat voor iedere 30 nagels een druppel smeerolie wordt geleverd.

Als geen luchtset wordt gebruikt, smeert u het gereedschap met olie voor pneumatisch gereedschap door twee (2) of drie (3) druppels in het luchtaan sluiting aan te brengen. U dient dit voor en na ieder gebruik te doen. Voor een goede smering moet het gereedschap enkele keren worden bediend nadat de olie voor pneumatisch gereedschap is aangebracht (zie afb. 6).

## BESCHRIJVING VAN DE FUNCTIES

#### LET OP:

- Vergrendel altijd de trekker en koppel de perslucht slang los voordat u de functies van het gereedschap instelt of controleert.

#### Neusadapter (accessoire)

#### LET OP:

- Vergrendel de trekker altijd en koppel de slang los voordat u de neusadapter installeert of verwijdt. Gebruik de neusadapter wanneer u nagels schiet in werkstukken met oppervlakken die gemakkelijk beschadigd raken. Bevestig de neusadapter aan de contactarm (zie afb. 7).

#### Nageldiepte instellen (zie afb. 8)

Draai de stelling om de nageldiepte in te stellen. De nageldiepte is het grootst wanneer de stelling zo ver mogelijk in richting A, aangegeven in de afbeelding, is

gedraaid. De diepte wordt geringer naarmate de stelling in richting B wordt gedraaid. Als de nagels niet diep genoeg worden geschoten, zelfs niet terwijl de stelling zo ver mogelijk in richting A is gedraaid, verhoogt u de luchtdruk. Als de nagels te diep worden geschoten, zelfs niet terwijl de stelling zo ver mogelijk in richting B is gedraaid, verlaagt u de luchtdruk. Algemeen gesproken, gaat het gereedschap langer mee als het wordt gebruikt met een lagere luchtdruk en de stelling is ingesteld op een geringere nageldiepte.

#### LET OP:

- Vergrendel altijd de trekker en koppel de perslucht slang los voordat u de nageldiepte instelt.

### De haak aanbrengen (zie afb. 9)

#### LET OP:

- Vergrendel altijd de trekker en koppel de perslucht slang los van het gereedschap.
- Hang het gereedschap niet op aan de haak op een hoge plaats of op een mogelijk instabiele ondergrond. De haak is handig om het gereedschap tijdelijk aan op te hangen. Hiertoe draait u de haak gewoon omhoog totdat deze vastklikt in de geopende stand. Als u de haak niet gebruikt, vouwt u deze weer omlaag totdat deze vastklikt in de gesloten stand.

## ONDERDELEN AANBRENGEN/ VERWIJDEREN

#### LET OP:

- Vergrendel altijd de trekker en koppel de perslucht slang los voordat u enige werkzaamheden aan het gereedschap uitvoert.

### Nagels laden (zie afb. 10)

Kies nagels die geschikt zijn voor uw werk. Steek de strip nagels in het magazijn (zie afb. 11). Laad de nagels zodanig bij dat ze parallel liggen aan de stootgeleider (zie afb. 12). Trek de hendel van de aandrukker naar achteren om de aandrukker tegen de laatste nagel te drukken.

### Nagels verwijderen (zie afb. 13)

Trek de hendel van de aandrukker naar achteren. Zet de hendel van de aandrukker terug terwijl u de aandrukker ingedrukt houdt om deze los te maken van de strip nagels.

Druk de magelstopper in en verwijder de strip nagels uit het magazijn (zie afb. 14).

### De perslucht slang aansluiten (zie afb. 15)

Vergrendel de trekker. Schuif de aansluiting van de perslucht slang op de aansluiting van het nietpistool. Zorg ervoor dat beide aansluitingen stevig op elkaar worden vergrendeld. De slangkoppeling moet op of vlakbij het gereedschap worden gemonteerd op een zodanige manier dat op het moment dat de perslucht koppeling wordt losgekoppeld, de luchtdruktank leeg loopt.

## BEDIENING

#### LET OP:

- Controleer voor gebruik dat alle beveiligingssystemen goed werken.


### De bedieningsfunctie kiezen

#### LET OP:


- Wanneer het gereedschap niet in gebruik is, zet u de wisselhendel in de stand voor trekkervergrendeling.
- Verzeker u er altijd van dat de wisselhendel goed in de stand voor de gewenste nagelfunctie staat voordat u begint te nagelen.

Dit gereedschap is uitgerust met een wisselhendel. U kunt daarmee kiezen uit de bedieningsfuncties "enkelvoudig opeenvolgend schieten" en "herhaaldelijk schieten". U kunt de trekker ook vergrendelen door de vergrendelhendel in de stand voor trekkervergrendeling te zetten (zie afb. 16).

#### Enkelvoudige opeenvolgende bedieningsfunctie:

U kunt één nagel schieten met één afzonderlijke handeling. Kies deze functie wanneer u een nagel voorzichtig en nauwkeurig wilt schieten. Om deze functie te kiezen, zet u de wisselhendel in de stand .

#### Herhaaldelijk-schietenfunctie:

U kunt nagels achter elkaar schieten door de contactschoen herhaaldelijk op het materiaal te drukken terwijl u de trekker ingeknepen houdt. Om deze functie te kiezen, zet u de wisselhendel in de stand .

### De correcte werking controleren vóór gebruik

Controleer vóór gebruik altijd de volgende punten.

- Verzeker u ervan dat het gereedschap niet gaat werken door alleen maar de luchtslang aan te sluiten.
- Verzeker u ervan dat het gereedschap niet gaat werken door alleen maar de trekker in te knijpen.
- Verzeker u ervan dat het gereedschap niet gaat werken door alleen maar de contactschoen tegen het werkstuk te drukken zonder de trekker in te knijpen.
- Zorg bij enkelvoudige werking ervoor dat het gereedschap niet werkt als eerst de trekker wordt ingeknepen en daarna de contactschoen tegen het werkstuk wordt gedrukt.

### Enkelvoudige werking

Druk de contactschoen tegen het werkstuk en knijp de trekker helemaal in.

Haal na het nagelen de contactschoen van het werkstuk af en laat daarna de trekker los (zie afb. 17).

#### LET OP:

- Druk de contactschoen niet met buitensporige kracht tegen het werkstuk. Knijp bovendien de trekker helemaal in en houd hem ingeknepen gedurende 1 tot 2 seconden na het nagelen. Zelfs in de bedieningsfunctie "enkelvoudig opeenvolgend schieten" zal een half ingeknepen trekker leiden tot onverwacht nagelen zodra de contactschoen weer het werkstuk raakt.

## Continue werking



Knijp eerst de trekker in en druk daarna de contactschoen tegen het werkstuk (zie afb. 18).

## Anti-droogschietmechanisme

Dit gereedschap is uitgerust met een anti-droogschietmechanisme. Wanneer er nog weinig nagels over zijn in het magazijn, wordt de contactschoen vergrendeld in de niet-ingedrukte stand om te voorkomen dat het gereedschap wordt ingeschakeld. Laad meer nagels om verder te kunnen nagelen.

## Vastgelopen nagelpistool (zie afb. 19)

### LET OP:

- Alvorens een vastgelopen nagel te verwijderen, vergrendelt u altijd eerst de trekker, koppelt u daarna de perslucht slang los en haalt u tenslotte de nagelstrip uit het magazijn.

Wanneer het nagelpistool vastloopt, gaat u als volgt te werk:

Steek een dunne stang of iets dergelijks in de schietmond en tik er met een hamer op om de stoter te doen terugkeren.

Gebruik een tang om de vastgelopen nagel te verbuigen zodat de kop van de nagel uit de gleuf van de komt stotergeleider komt. Verwijder vervolgens de vastgelopen nagel (zie afb. 20).

## Nagels (zie afb. 21)

Weer voorzichtig bij het hanteren van de nagelstrips en de doos ervan. Als de nagelstrips grof behandeld worden, kunnen ze vervorm worden of breken waardoor een slechte nageltoevoer ontstaat.

Voorkom dat nagels worden opgeslagen in een zeer vochtige of warme ruimte of op een plek die is blootgesteld aan direct zonlicht (zie afb. 22).

## ONDERHOUD


### LET OP:

- Koppel de perslucht slang altijd los van het gereedschap alvorens inspectie- of onderhoudswerkzaamheden uit te voeren.
- Gebruik nooit benzine, wasbenzine, thinner, alcohol, enz. Dit kan leiden tot verkleuren, vervormen of barsten.

## Het nagelpistool onderhouden

Controleer voor gebruik het gereedschap altijd eerst op algehele conditie en loszittende schroeven. Draai deze zodanig vast (zie afb. 23).

Inspecteer het gereedschap dagelijks met losgekoppelde perslucht slang op vrije beweging van de contactmond en trekker. Gebruik het gereedschap niet als de contactmond of trekker vastlopen of klemmen (zie afb. 24).

Controleer dat de trekker vergrendeld is, wanneer de keuzeknop in de stand  staat (zie afb. 25).

Wanneer het gereedschap gedurende een lange tijd niet gebruikt gaat worden, smeert u het gereedschap met olie voor pneumatisch gereedschap en bewaart u het gereedschap op een veilige plaats. Voorkom blootstelling aan direct zonlicht en/of een vochtige of warme omgeving (zie afb. 26 en 27).

## Onderhoud aan de compressor, luchtset en perslucht slang (zie afb. 28 en 29)

Na gebruik moet altijd de luchtdruktank en het luchtfilter van de compressor worden afgetapt. Als vocht in het gereedschap kan binnendringen, kan dit leiden tot slechte prestaties en mogelijk defect van het gereedschap.

Controleer regelmatig om te zien of er voldoende pneumatische olie in de smeerinrichting van de luchtset zit. Als u niet voor voldoende smering zorgt, zullen de O-ringen snel slijten (zie afb. 30).

Houd de perslucht slang uit de buurt van warmte (meer dan 60 °C) en uit de buurt van chemicaliën (verdunner, sterke zuren of basen). Houd de perslucht slang ook uit de buurt van obstakels waarachter deze kan haken tijdens gebruik om gevaarlijke situaties te voorkomen. De perslucht slang moet tevens uit de buurt worden gehouden van scherpe randen en plaatsen die aanleiding kunnen geven tot beschadiging of schuren van de perslucht slang (zie afb. 31).

Om de VEILIGHEID en BETROUWBAARHEID van het gereedschap te handhaven, dienen alle reparaties, onderhoud en afstellingen te worden uitgevoerd door een erkend Makita-servicecentrum, en altijd met gebruikmaking van originele Makita- vervangingsonderdelen.

## VERKRIJGBARE ACCESSOIRES

### LET OP:

- Deze accessoires of hulpstukken worden aanbevolen voor gebruik met het Makita-gereedschap dat in deze gebruiksaanwijzing wordt beschreven. Het gebruik van andere accessoires of hulpstukken kan gevaar voor persoonlijk letsel opleveren. Gebruik de accessoires of hulpstukken uitsluitend voor de aangegeven gebruiksdoeleinden.

Mocht u meer informatie willen hebben over deze accessoires, dan kunt u contact opnemen met uw plaatselijke Makita-servicecentrum.

- Nagels
- Perslucht slangen
- Veiligheidsbril

### OPMERKING:

- Sommige items op de lijst kunnen zijn inbegrepen in de doos van het gereedschap als standaard toebehoren. Zij kunnen van land tot land verschillen.

### Geluid

ENG905-1

De typische, A-gewogen geluidsniveaus zijn gemeten volgens EN ISO 11148:

#### Model AN923

Geluidsdruk niveau ( $L_{pA}$ ): 89 dB (A)

Geluidsvermogen niveau ( $L_{WA}$ ): 102 dB (A)

Onzekerheid (K): 3 dB (A)

**Model AN943**Geluidsdrukniveau ( $L_{pA}$ ): 92 dB (A)Geluidsvermogeniveau ( $L_{WA}$ ): 105 dB (A)

Onzekerheid (K): 3 dB (A)

**Draag gehoorbescherming.****Trillingen**

ENG904-1

De trillingsemisiewaarde is bepaald volgens

EN ISO 11148:

**Model AN923**Trillingsemisie ( $a_h$ ): 4,0 m/s<sup>2</sup>Onzekerheid (K): 1,5 m/s<sup>2</sup>**Model AN943**Trillingsemisie ( $a_h$ ): 3,5 m/s<sup>2</sup>Onzekerheid (K): 1,5 m/s<sup>2</sup>

ENG901-1

- De opgegeven trillingsemisiewaarde is gemeten volgens de standaardtestmethode en kan worden gebruikt om dit gereedschap te vergelijken met andere gereedschappen.
- De opgegeven trillingsemisiewaarde kan ook worden gebruikt voor een beoordeling vooraf van de blootstelling.

** WAARSCHUWING:**

- De trillingsemisie tijdens het gebruik van het elektrisch gereedschap in de praktijk kan verschillen van de opgegeven trillingsemisiewaarde afhankelijk van de manier waarop het gereedschap wordt gebruikt.
- Zorg ervoor dat veiligheidsmaatregelen worden getroffen ter bescherming van de operator die zijn gebaseerd op een schatting van de blootstelling onder praktijkomstandigheden (rekening houdend met alle fasen van de bedrijfscyclus, zoals de tijdsduur gedurende welke het gereedschap is uitgeschakeld en stationair draait, naast de ingeschakelde tijdsduur).

**EU-verklaring van conformiteit*****Alleen voor Europese landen***

De EU-verklaring van conformiteit is opgenomen als

Bijlage A in deze instructiehandleiding.

# ESPAÑOL (Instrucciones originales)

## Explicación de los dibujos

- |   |   |                                       |
|---|---|---------------------------------------|
| 1. Gatillo                              | 11. Empujador                                 | 22. Barra pequeña                     |
| 2. Palanca de cambio                    | 12. Palanca empujadora                        | 23. Puerto de expulsión               |
| 3. Gancho                               | 13. Presione                                  | 24. Pasador de arrastre               |
| 4. Cargador                             | 14. Retorno                                   | 25. Alicates                          |
| 5. Elemento de contacto                 | 15. Tope de clavos                            | 26. Ranura                            |
| 6. Salida de aire comprimido por minuto | 16. Toma de aire                              | 27. Grifo de drenaje                  |
| 7. Frecuencia de clavado (veces/min.)   | 17. Conector de aire                          | 28. Filtro de aire                    |
| 8. Aceite para la herramienta neumática | 18. Modo de accionamiento por contacto        | 29. Aceitero                          |
| 9. Adaptador de puntas                  | 19. Bloqueo del gatillo                       | 30. Aceite de herramientas neumáticas |
| 10. Regulador                           | 20. Modo de accionamiento secuencial sencillo |                                       |
|   | 21. Martillo                                  |                                       |

## ESPECIFICACIONES

Modelo		AN923	AN943
Presión del aire		0,44 - 0,83 Mpa (4,4 - 8,3 bar)	
Fijador	Tipo	Clavos en tira de plástico (cabeza redonda completa)	Clavos en tira de papel (cabeza recortada)
	Longitud	50 - 90 mm	50 - 90 mm
	Diámetro	2,9 - 4,1 mm	2,9 - 3,3 mm
	Ángulo	21 grados	34 grados
Capacidad del cargador		64 - 74 piezas.	60 - 84 piezas.
Aceite para herramientas neumáticas		ISO VG32 o equivalente	
Dimensiones (La x Al x An)		559 mm x 347 mm x 109 mm	455 mm x 365 mm x 109 mm
Diámetro mínimo de la manguera		8,5 mm	
Peso neto		4,0 kg	

- Debido a nuestro programa continuo de investigación y desarrollo, las especificaciones aquí descritas están sujetas a cambios sin previo aviso.
- Las especificaciones pueden ser diferentes de un país a otro.

### Símbolos

END106-4

Se utilizan los siguientes símbolos para el equipo.

Asegúrese de que comprende su significado antes del uso.



..... Lea el manual de instrucciones.



..... Utilice gafas de seguridad.



..... Póngase protección para los oídos.



..... La herramienta tiene funcionalidad para ser operada en modo de accionamiento por contacto.



..... No utilizar en andamios o escaleras de mano.

### Uso previsto

ENE059-2

La herramienta ha sido prevista para trabajo interior preliminar, tal como fijación de viguetas al suelo o cabrios comunes y trabajo de estructuración en viviendas 2" x 4". La herramienta es solamente para aplicación profesional de volumen alto. No la utilice para ningún otro propósito. No ha sido diseñada para clavar fijadores directamente en una superficie dura como acero y cemento.

## ADVERTENCIAS DE SEGURIDAD PARA LA CLAVADORA DE CLAVOS/GRAPADORA NEUMÁTICA

ENB132-1

**⚠ ADVERTENCIA: Lea todas las advertencias de seguridad y todas las instrucciones.** En caso de no seguir las advertencias e instrucciones podrá resultar en heridas graves, descarga eléctrica y/o incendio.

### Guarde todas las advertencias e instrucciones para futuras referencias.

Por seguridad personal y operación y mantenimiento apropiados de la herramienta, lea este manual de instrucciones antes de utilizar la herramienta.

## Seguridad general

1. Cualquier otro uso de esta herramienta excepto para el uso previsto está prohibido. Las herramientas de clavar fijadores de accionamiento por contacto continuo o accionamiento por contacto deben ser utilizadas solamente para aplicaciones de producción.
2. Mantenga los dedos alejados del gatillo cuando no esté operando esta herramienta y cuando se mueva de una posición de operación a otra.
3. Riesgos múltiples. Lea y entienda las instrucciones de seguridad antes de conectar, desconectar, cargar, operar la herramienta; hacer mantenimiento o cambiar accesorios, o trabajar cerca de la herramienta. No hacerlo puede resultar en heridas corporales graves.
4. Mantenga todas las partes del cuerpo, tales como las manos y las piernas, etc., alejadas de la dirección de disparo y asegúrese de que los fijadores no pueden atravesar la pieza de trabajo y clavarse en partes del cuerpo.
5. Cuando utilice la herramienta, sea consciente de que el fijador se puede desviar y ocasionar heridas.
6. Sujete la herramienta agarrándola firmemente y esté preparado para controlar el culatazo.
7. La herramienta de clavar fijadores solamente debe ser utilizada por operarios expertos.
8. No modifique la herramienta de clavar fijadores. Las modificaciones pueden reducir la eficacia de los medios de seguridad e incrementar los riesgos para el operario y/o los transeúntes.
9. No deseche el manual de instrucciones.
10. No utilice una herramienta si ha sido dañada.
11. Tenga cuidado cuando maneje fijadores, especialmente cuando los cargue y descargue, porque los fijadores tienen puntas afiladas que podrán ocasionar heridas.
12. Compruebe siempre la herramienta antes de utilizarla por si tiene piezas rotas, mal conectadas o desgastadas.
13. No trabaje donde no alcance. Utilice solamente en un lugar de trabajo seguro. Mantenga los pies sobre suelo firme y el equilibrio en todo momento.
14. Mantenga a los transeúntes alejados (cuando trabaje en un área donde haya la posibilidad de que transite gente). Marque claramente su área de operación.
15. No apunte la herramienta hacia usted o hacia otros.
16. No apoye el dedo en el gatillo cuando recoja la herramienta, se mueva entre áreas de operación y posiciones de trabajo o camine, porque apoyar el dedo en el gatillo puede dar lugar a una operación inadvertida. Para herramientas con accionamiento selectivo, compruebe siempre la herramienta antes de utilizarla para asegurarse de que está seleccionado el modo correcto.
17. Utilice solamente guantes que proporcionen una sensación táctil adecuada y un control seguro de los gatillos y cualquier dispositivo de ajuste.
18. Cuando repose la herramienta, apóyela sobre una superficie plana. Si utiliza el gancho equipado con

la herramienta, enganche la herramienta firmemente en una superficie estable.

19. No la utilice cuando esté bajo la influencia de alcohol, drogas o por el estilo.

## Riesgos relativos al proyectil

1. La herramienta de clavar fijadores deberá ser desconectada cuando cargue fijadores, haga ajustes, despeje atascos o cambie accesorios.
2. Durante la operación tenga cuidado de que los fijadores penetren el material correctamente y no se puedan desviar o errar el disparo hacia el operario y/o cualquier transeúnte.
3. Durante la operación, podrán salir despedidos restos de la pieza de trabajo y del sistema de fijación/sujeción.
4. Póngase siempre gafas de protección para proteger sus ojos de heridas cuando utilice herramientas eléctricas. Las gafas de protección deben cumplir con las normas ANSI Z87.1 en los Estados Unidos de América, EN 166 en Europa, o AS/NZS 1336 en Australia/Nueva Zelanda. En Australia/Nueva Zelanda, se requiere, también, legalmente ponerse pantalla facial para proteger la cara. (Fig. 1)  
Es una responsabilidad del empresario imponer a los operarios de la herramienta y a otras personas en las inmediaciones del área de trabajo el uso de equipos de protección de seguridad apropiados.
5. Los riesgos para otras personas deberá evaluarlos el operario.
6. Tenga cuidado con las herramientas sin el contacto para pieza de trabajo porque pueden dispararse involuntariamente y herir al operario y/o transeúntes.
7. Asegúrese de que la herramienta está siempre apoyada de forma segura en la pieza de trabajo y que no se puede deslizar.
8. Póngase protección auditiva para proteger sus oídos del ruido de escape y protección para la cabeza. Además, póngase ropa ligera pero no holgada. Las mangas deberán estar abotonadas o arremangadas. No se deberá llevar corbata.

## Riesgos relativos a la operación

1. Sujete la herramienta correctamente: asegúrese de contrarrestar los movimientos normales o repentinos tales como un culatazo.
2. Mantenga una posición equilibrada del cuerpo y los pies sobre suelo firme.
3. Se deben utilizar gafas de seguridad apropiadas y guantes apropiados y se recomienda el uso de ropa de protección.
4. Ha de ponerse protección para los oídos apropiada.
5. Utilice el suministro de energía correcto como se indica en el manual de instrucciones.
6. No utilice la herramienta en plataformas en movimiento o detrás de camiones. Un movimiento repentino de la plataforma puede hacerle perder el control de la herramienta y ocasionar heridas.
7. Asuma siempre que la herramienta contiene fijadores.
8. No apresure el trabajo o fuerce la herramienta. Maneje la herramienta con cuidado.

9. **Observe donde pone los pies y mantenga su equilibrio con la herramienta.** Asegúrese de que no hay nadie debajo cuando trabaje en lugares altos, y sujete la manguera de aire para evitar riesgos si se produce un tirón o enganche repentino.
10. **En tejados y otros lugares altos, coloque los fijadores a medida que se mueve hacia delante.** Es fácil perder el equilibrio si coloca fijadores mientras se mueve hacia atrás. Cuando coloque fijadores contra una superficie perpendicular, trabaje de arriba abajo. Haciéndolo así podrá realizar las operaciones de atomillar con menos fatiga.
11. **Un fijador se torcerá o la herramienta se podrá atascar si coloca un fijador erróneamente encima de otro fijador o si golpea un nudo en la madera.** El fijador podrá ser lanzado y golpear a alguien, o la propia herramienta podrá reaccionar peligrosamente. Coloque los fijadores con cuidado.
12. **No deje la herramienta cargada o el compresor de aire bajo presión durante un tiempo prolongado al sol.** Asegúrese de que no entra polvo, arena, virutas y materias extrañas en la herramienta en el lugar donde la deja reposar.
13. **No intente nunca colocar fijadores desde el interior y exterior al mismo tiempo.** Los fijadores podrán atravesar y/o salir disparados, presentando un grave peligro.

#### Riesgos relativos a movimientos repetitivos

1. Cuando se utilice una herramienta durante largos periodos, el operario podrá sentir molestias en las manos, brazos, hombros, cuello, u otras partes del cuerpo.
2. Mientras utilice una herramienta, el operario deberá adoptar una postura apropiada pero ergonómica. Mantenga los pies sobre suelo firme y evite posturas incómodas o desequilibradas.
3. Si el operario experimenta síntomas tales como molestias persistentes o recurrentes, dolor, palpitación, achaque, hormigueo, entumecimiento, sensación de ardor, o agarramiento, no ignore estas señales de advertencia. El operario deberá consultar con un profesional sanitario cualificado acerca de las actividades en general.
4. La utilización continuada de la herramienta puede ocasionar lesión por esfuerzo repetido debido al culatazo producido por la herramienta.
5. Para evitar heridas por esfuerzo repetitivo, el operario no deberá trabajar donde no alcance o utilizar fuerza excesiva. Además, el operario deberá descansar cuando sienta fatiga.
6. Realice una valoración de riesgo acerca de los riesgos relativos a movimientos repetitivos. Esta deberá enfocarse en desórdenes esqueleto musculares y basarse preferentemente en la premisa de que la disminución de la fatiga durante el trabajo es eficaz para reducir los desórdenes.

#### Riesgos relativos a accesorios y consumibles

1. **Desconecte el suministro de energía a la herramienta, tal como aire o gas o la batería según sea aplicable, antes de cambiar/reemplazar**

- accesorios tal como el contacto para pieza de trabajo, o hacer cualquier ajuste.
2. **Utilice solamente los tamaños y tipos de accesorios que provee el fabricante.**
3. **Utilice solamente lubricantes recomendados en este manual.**

#### Riesgos relativos al lugar de trabajo

1. **Los resbalones, los tropezos y las caídas son las principales causas de heridas en el lugar de trabajo.** Sea consciente de las superficies resbaladizas ocasionadas por el uso de la herramienta y también de los riesgos relativos a los tropezos ocasionados por la manguera de conducto de aire.
2. **Proceda con cuidado adicional en entornos con los que no esté familiarizado.** Pueden existir riesgos ocultos, tales como conductos de electricidad o de otros suministros.
3. **Esta herramienta no ha sido prevista para ser utilizada en atmósferas potencialmente explosivas y no está aislada contra un contacto con energía eléctrica.**
4. **Asegúrese de que no hay cables eléctricos, tuberías de gas, etc., que puedan ocasionar un riesgo si se dañan al utilizar la herramienta.**
5. **Mantenga el área de trabajo limpia y bien iluminada.** Las áreas de trabajo atestadas u oscuras son una invitación a accidentes.
6. **Es posible que existan reglamentos locales concernientes al ruido que deberán ser cumplidos manteniendo los niveles de ruido dentro de los límites prescritos.** En ciertos casos, se deberán utilizar persianas para contener el ruido.

#### Riesgos relativos al polvo y el escape

1. **Compruebe siempre su entorno.** El aire expulsado de la herramienta puede soplar el polvo u objetos y golpear al operario y/o los transeúntes.
2. **Dirija el escape de forma que en un entorno de mucho polvo la perturbación del polvo se reduzca al mínimo.**
3. **Si en el área de trabajo se emite polvo u objetos, reduzca la emisión en lo máximo posible para reducir los riesgos para la salud y el riesgo de heridas.**

#### Riesgos relativos al ruido

1. **Una exposición sin protección a niveles de ruido altos, puede ocasionar una pérdida, incapacidad, permanente de la audición y otros problemas tales como ruido en los oídos (campaneo, ronroneo, silbido o zumbido en los oídos).**
2. **Realice una valoración de riesgos acerca del ruido en el área de trabajo e implemente los controles apropiados para estos riesgos.**
3. **Los controles apropiados para reducir el riesgo pueden incluir acciones tales como amortiguar los materiales para evitar que las piezas de trabajo "campaneen".**
4. **Utilice protección para los oídos apropiada.**
5. **Opere la herramienta y hágale el mantenimiento como se recomienda en estas instrucciones, para evitar un aumento innecesario de los niveles de ruido.**



6. Tome medidas de reducción de ruido, por ejemplo, colocando las piezas de trabajo sobre soportes que amortigüen el sonido.

#### Riesgos relativos a la vibración

1. La emisión de vibración durante la operación depende de la fuerza de asimiento, la fuerza de presión de contacto, la dirección de trabajo, el ajuste del suministro de energía, la pieza de trabajo, el apoyo de la pieza de trabajo. Realice una valoración de riesgos acerca de la vibración e implemente los controles apropiados para estos riesgos.
2. La exposición a la vibración puede ocasionar daño incapacitante a los nervios y el suministro de sangre a las manos y brazos.
3. Póngase ropa cálida cuando trabaje en condiciones frías, mantenga sus manos calientes y secas.
4. Si siente entumecimiento, hormigueo, dolor o emblanquecimiento de la piel en sus dedos o manos, solicite consejo médico de un profesional sanitario cualificado acerca de las actividades en general.
5. Opere la herramienta y hágale el mantenimiento como se recomienda en estas instrucciones, para evitar un aumento innecesario de los niveles de vibración.
6. Sujete la herramienta con un asimiento ligero, pero seguro, porque el riesgo de la vibración es generalmente mayor cuando la fuerza de asimiento es más fuerte.

#### Advertencias adicionales para las herramientas neumáticas.

1. El aire comprimido puede ocasionar heridas graves.
2. Cierre siempre el suministro de aire, y desconecte la herramienta del suministro de aire cuando no se esté utilizando.
3. Desconecte siempre la herramienta del suministro de aire comprimido antes de cambiar accesorios, hacer ajustes y/o reparaciones, cuando se mueva de un área de operación a un área diferente.
4. Mantenga los dedos alejados del gatillo cuando no esté operando la herramienta y cuando se mueva de una posición de operación a otra.
5. No dirija nunca el aire comprimido hacia usted o hacia cualquier otra persona.
6. Los latigazos de manguera pueden ocasionar heridas graves. Compruebe siempre por si las mangueras o aditamentos están dañados o flojos.
7. No transporte nunca la herramienta neumática cogiéndola por la manguera.
8. No arrastre nunca la herramienta neumática cogiéndola por la manguera.
9. Cuando utilice herramientas neumáticas, no exceda la presión máxima de operación ps máx.
10. Las herramientas neumáticas deben ser alimentadas solamente con aire comprimido a la presión más baja requerida por el proceso de trabajo para reducir el ruido y la vibración, y minimizar el desgaste.

11. La utilización de oxígeno o gases combustibles para operar las herramientas neumáticas crea un riesgo de incendio y explosión.
12. Tenga cuidado cuando utilice herramientas neumáticas porque la herramienta podrá enfriarse, afectando al asimiento y el control.

#### Advertencias adicionales para herramientas con capacidad de accionamiento por contacto



1. No apoye el dedo en el gatillo cuando recoja la herramienta, se mueva entre áreas de operación y posiciones de trabajo o camine, porque apoyar el dedo en el gatillo puede dar lugar a una operación inadvertida. Para herramientas con accionamiento selectivo, compruebe siempre la herramienta antes de utilizarla para asegurarse de que está seleccionado el modo correcto.
2. Esta herramienta tiene o bien accionamiento selectivo para accionamiento por contacto o accionamiento por contacto continuo con selectores de modo de accionamiento o bien es una herramienta de accionamiento por contacto o de contacto con accionamiento continuo y ha sido marcada con el símbolo de arriba. Sus usos previstos son para aplicaciones de producción tales como pallets, mobiliario, casas prefabricadas, tapicería y revestimiento.
3. Si utiliza esta herramienta en modo de accionamiento selectivo, asegúrese siempre de que está ajustada en el modo de accionamiento correcto.
4. No utilice esta herramienta en accionamiento por contacto para aplicaciones tales como para cerrar cajas o cajones de embalaje y colocar sistemas de seguridad para transporte en tráileres y camiones.
5. Tenga cuidado cuando cambie de un lugar de clavado a otro.

#### Dispositivos de seguridad

1. Asegúrese siempre de que todos los sistemas de seguridad están en buen estado de funcionamiento antes de la operación. La herramienta no deberá funcionar si solamente se aprieta el gatillo interruptor o si solamente el brazo de contacto es presionado contra la madera. Deberá funcionar solamente cuando se realizan ambas acciones. Haga una prueba por si se produce una posible operación defectuosa sin haber cargado fijadores y con el impulsor en posición completamente presionada.
2. **Sujetar el gatillo en la posición activada es muy peligroso.** No intente nunca fijar el gatillo.
3. **No intente mantener el elemento de contacto presionado con cinta o alambre.** Podría ocasionar la muerte o heridas graves.
4. **Compruebe siempre el elemento de contacto como se instruye en este manual.** Los fijadores podrán atornillarse accidentalmente si el mecanismo de seguridad no está funcionando correctamente.

## Servicio

1. **Realice la limpieza y el mantenimiento justo después de terminar el trabajo.** Mantenga la herramienta en excelentes condiciones. Lubrique las partes móviles para evitar oxidación y minimizar el desgaste relacionado con la fricción. Limpie todo el polvo de las partes.
2. **Pida a un centro de servicio autorizado por Makita para que le hagan la inspección periódica de la herramienta.**
3. **Para mantener la SEGURIDAD y FIABILIDAD del producto, el mantenimiento y las reparaciones deberán ser realizados en centros de servicio autorizados por Makita, utilizando siempre piezas de repuesto de Makita.**
4. **Siga los reglamentos locales cuando deseche la herramienta.**

## GUARDE ESTAS INSTRUCCIONES.

### ADVERTENCIA:

**NO deje que la comodidad o familiaridad con el producto (a base de utilizarlo repetidamente) sustituya la estricta observancia de las normas de seguridad para el producto en cuestión. El MAL USO o el no seguir las normas de seguridad establecidas en este manual de instrucciones podrá ocasionar graves heridas personales.**

## DESCRIPCIÓN DE LAS PARTES (Fig. 2)

## INSTALACIÓN

### Selección del compresor (Fig. 3)

El compresor de aire debe cumplir con los requisitos de EN60335-2-34.

- Seleccione un compresor que tenga una presión y salida de aire amplias para asegurar un funcionamiento eficiente. El gráfico muestra la relación entre la frecuencia de clavado, la presión aplicable y la salida de aire del compresor. Así, por ejemplo, si el clavado se realiza a una frecuencia de aproximadamente 40 veces por minuto a una compresión de 0,59 MPa (5,9 bar), se requerirá un compresor con una salida de aire de más de 3 CFM (pies<sup>3</sup>/minuto). Cuando la presión del suministro de aire exceda la presión nominal de la herramienta se deberán utilizar reguladores de presión para limitar la presión de aire a la presión nominal de la herramienta. De no hacerlo, el operario de la herramienta o las personas cercanas pueden sufrir graves lesiones.

### Selección de la manguera de aire (Fig. 4)

- Utilice una manguera de aire con un diámetro tan grande y tan corta como sea posible para asegurar una operación de clavado continua y eficiente. Con una presión de aire de 0,49 MPa (4,9 bar), se recomienda una manguera de aire con un diámetro interno superior a 8,5 mm (5/16") y una longitud inferior a 20 m (6,6 pies) cuando el intervalo entre cada clavado sea

de 0,5 segundos. Las mangueras de suministro de aire tendrán una presión de trabajo mínima de 1,03 MPa (10,3 bar) o 150 por ciento de la presión máxima producida en el sistema, el valor que sea superior.

### PRECAUCIÓN:

- Una salida de aire baja del compresor, o una manguera de aire larga o de diámetro más pequeño en relación con la frecuencia de clavado podrá ocasionar una disminución de la capacidad de clavado de la herramienta.

### Lubricación (Fig. 5)

Para asegurar el máximo rendimiento, instale un conjunto de aire (aceitero, regulador, filtro de aire) lo más cerca posible de la herramienta. Ajuste el aceitero de forma que provea una gota de aceite cada 30 clavos.

Cuando no se utilice un conjunto de aire, engrase la herramienta con aceite de herramientas neumáticas poniendo 2 (dos) o 3 (tres) gotas en el conector de aire. Esto deberá hacerse antes y después del uso. Para una lubricación apropiada, la herramienta deberá ser disparada unas cuantas veces después de haber introducido el aceite de herramientas neumáticas. (Fig. 6)

## DESCRIPCIÓN DEL FUNCIONAMIENTO

### PRECAUCIÓN:

- Bloquee siempre el disparador y desconecte la manguera de aire antes de ajustar o comprobar una función de la herramienta.

### Adaptador de puntas (Accesorio)

#### ADVERTENCIA:

- Asegure siempre el disparador y desconecte la manguera antes de instalar o desinstalar el adaptador. Utilice el adaptador de puntas para clavar piezas en superficies delicadas
- Una el adaptador de puntas al brazo de contacto. (Fig. 7)

### Ajuste de la profundidad de clavado (Fig. 8)

Para ajustar la profundidad de clavado, gire el regulador. La profundidad de clavado será mayor cuando el regulador se gire completamente en la dirección A, como que se muestra en la ilustración. Será menor cuando el regulador se gire en la dirección B. Si los clavos no se pueden clavar suficientemente incluso cuando el regulador se gire totalmente en la dirección A, aumente la presión de aire. Si los clavos se clavan demasiado incluso cuando el regulador se gire completamente en la dirección B, reduzca la presión de aire. En términos generales, la vida de servicio de la herramienta será más larga cuando la herramienta se utilice con una presión de aire más baja y el regulador ajustado a un número más bajo.

### PRECAUCIÓN:

- Bloquee siempre el disparador y desconecte la manguera de aire antes de realizar cualquier trabajo en la herramienta.

## Instalación del gancho (Fig. 9)

### PRECAUCIÓN:

- Bloquee siempre el disparador y desconecte la manguera de la herramienta.
- No cuelgue nunca la herramienta en un lugar elevado o en una superficie potencialmente inestable.

El gancho es útil para colgar la herramienta.

Para utilizar el gancho, simplemente debe levantarlo hasta que se coloque en la posición de apertura con un golpe seco.

Cuando no lo utilice, baje el gancho hasta que se coloque en la posición de cierre con un golpe seco.

## MONTAJE

### PRECAUCIÓN:

- Bloquee siempre el disparador y desconecte la manguera de aire antes de realizar un trabajo en la herramienta.

## Carga de la clavadora (Fig. 10)

Seleccione los clavos apropiados para su trabajo. Inserte la tira de clavos en el depósito alimentador. (Fig. 11)

Cargue clavos de forma que queden paralelos a la guía de clavado. (Fig. 12)

Tire de la palanca empujadora hacia atrás para que enganche el último clavo.

## Descarga de la clavadora de clavos (Fig. 13)

Empuje la palanca empujadora hacia atrás. Devuelva la palanca empujadora hacia atrás mientras ejerce presión sobre el empujador para desengancharlo de la tira de clavos.

Ejerza presión sobre el tope de clavos y extraiga la tira de clavos del depósito alimentador. (Fig. 14)

## Conexión de la manguera de aire (Fig. 15)

Bloquee el disparador. Encaje el acoplador de aire de la manguera de aire en el conector de aire de la clavadora de clavos. Asegúrese de que el acoplador de aire quede bloqueado firmemente en posición cuando lo instale en el conector de aire. Se deberá instalar un acoplamiento de manguera en o cerca de la herramienta de tal forma que el depósito de trabajo se descargue al desconectar el acoplamiento de suministro de aire.

## MANEJO

### PRECAUCIÓN:

- Asegúrese de que todos los sistemas de seguridad están en condiciones de funcionamiento antes de su utilización.

## Selección del modo de operación

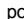
### PRECAUCIÓN:

- Cuando no la esté utilizando, ajuste siempre la palanca de cambio en la posición de bloqueo del gatillo.
- Asegúrese siempre de que la palanca de cambio está ajustada debidamente en la posición para el modo de clavado deseado antes de clavar.

Esta herramienta está equipada con la palanca de cambio. Usted puede seleccionar o bien el modo de accionamiento secuencial sencillo o bien el modo de accionamiento por contacto con ella. También puede bloquear el gatillo ajustándola en la posición de bloqueo del gatillo. (Fig. 16)

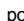
### Modo de accionamiento secuencial sencillo:

Puede clavar un clavo mediante una operación secuencial. Seleccione este modo cuando quiera clavar un clavo con cuidado y exactitud.

Para elegir este modo, ajuste la palanca de cambio en la posición .

### Modo de accionamiento por contacto:

Puede clavar clavos repetidamente poniendo el elemento de contacto con el gatillo sujetado.

Para elegir este modo, ajuste la palanca de cambio en la posición .

## Comprobación del accionamiento correcto antes de la operación

Antes de la operación, compruebe siempre los puntos siguientes.

- Asegúrese de que la herramienta no funciona únicamente conectando la manguera de aire.
- Asegúrese de que la herramienta no funciona únicamente apretando el gatillo.
- Asegúrese de que la herramienta no funciona únicamente colocando el elemento de contacto contra la pieza de trabajo sin apretar el gatillo.
- En modo de accionamiento secuencial sencillo, asegúrese de que la herramienta no funciona cuando se aprieta el gatillo primero y después se coloca el elemento de contacto contra la pieza de trabajo.

## Accionamiento secuencial sencillo

Coloque el elemento de contacto contra la pieza de trabajo y apriete el gatillo completamente.

Después del clavado, libere el elemento de contacto, y después suelte el gatillo. (Fig. 17)

### PRECAUCIÓN:

- No coloque el elemento de contacto contra la pieza de trabajo con fuerza excesiva. También, apriete el gatillo completamente y reténgalo durante 1 o 2 segundos después del clavado. Incluso en el modo de "accionamiento secuencial sencillo", un apretado del gatillo hasta la mitad ocasionará un clavado inesperado, cuando el elemento de contacto vuelva a entrar en contacto con la pieza de trabajo.

## Accionamiento por contacto



Apriete el gatillo primero y después ponga el elemento de contacto contra la pieza de trabajo. (Fig. 18)

## Mecanismo contra el disparo en vacío

Esta herramienta está equipada con un mecanismo que impide el disparo en vacío. Cuando haya pocos clavos en el depósito alimentador, el brazo de contacto se

bloqueará en la posición sin presión para evitar que la herramienta se active. Cargue más clavos para reanudar las operaciones.

## Atasco en la clavadora de clavos (Fig. 19)

### PRECAUCIÓN:

- Bloquee siempre el disparador, desconecte la manguera de aire y retire los clavos del depósito alimentador antes de despejar un atasco.

Cuando la clavadora de clavos se atasque, haga lo siguiente:

Inserte una varilla pequeña o similar en el puerto de expulsión y golpéela ligeramente con un martillo para retraer la varilla de empuje.

Utilice alicates para doblar el clavo atascado para que la cabeza salga de la ranura de guía del pasador de arrastre. A continuación, extraiga el clavo atascado.

(Fig. 20)

## Clavos (Fig. 21)

Maneje las bobinas de clavos y sus cajas con cuidado. Si la bobina de clavos ha sido manejada bruscamente, los clavos podrán estar deformados o sus conectores rotos y ocasionar una deficiente alimentación de clavos.

Evite almacenar clavos en un lugar muy húmedo o caluroso o en un lugar expuesto a la luz solar directa.

(Fig. 22)

## MANTENIMIENTO

### PRECAUCIÓN:

- Desconecte siempre la manguera de aire de la herramienta antes de intentar realizar una inspección o mantenimiento.
- Nunca utilice gasolina, benceno, disolvente, alcohol o un producto similar. Se puede provocar una decoloración, una deformación o grietas.

## Mantenimiento de la clavadora de clavos

Compruebe siempre la herramienta antes de su uso para ver su estado general y si hay tornillos sueltos. Apriete según sea necesario. (Fig. 23)

Con la herramienta desconectada, haga una inspección diaria para asegurarse del libre movimiento del elemento de contacto y el disparador. No utilice la herramienta si el elemento de contacto o el disparador se bloquea o se adhiere. (Fig. 24)

Asegúrese de que el disparador esté bloqueado cuando ponga la palanca de cambio en la posición ☹. (Fig. 25)

Cuando no vaya a utilizar la herramienta durante un período de tiempo prolongado, lubríquela utilizando aceite de herramientas neumáticas y almacénala en un lugar seguro. Evite la exposición a la luz solar directa y/o los ambientes húmedos o calurosos (Fig. 26 y 27)

## Mantenimiento del compresor, el conjunto de aire y la manguera de aire (Fig. 28 y 29)

Después de una operación, drene siempre el tanque compresor y el filtro de aire. Si permite que entre humedad en la herramienta, podrá provocar un

rendimiento deficiente y un posible fallo de la herramienta.

Compruebe regularmente si hay suficiente aceite de herramientas neumáticas neumático en el aceiteiro del conjunto de aire. Si no se mantiene una suficiente lubricación las juntas tóricas se desgastarán rápidamente. (Fig. 30)

Mantenga la manguera de aire alejada del calor (más de 60 °C, más de 140 °F) y de sustancias químicas (disolvente, ácidos fuertes o alcalinos). Además, tienda la manguera alejada de obstáculos en los que pueda engancharse peligrosamente durante la operación. Las mangueras también deberán tenderse alejadas de cantos cortantes y áreas que puedan ocasionar daños o abrasión a la manguera. (Fig. 31)

Para conservar la SEGURIDAD y la FIABILIDAD del producto, los trabajos de reparación y otros trabajos de mantenimiento y ajuste deberán ser realizados en centros de servicio autorizados de Makita, utilizando siempre repuestos Makita.

## ACCESORIOS OPCIONALES

### ⚠ PRECAUCIÓN:

- Se recomienda el uso de estos accesorios o complementos con la herramienta Makita especificada en este manual. El uso de otros accesorios o complementos puede conllevar el riesgo de ocasionar daños corporales. Utilice los accesorios o complementos solamente para su fin establecido.

Si necesita cualquier ayuda para obtener más información relativa a estos accesorios, pregunte a su centro de servicio Makita local.

- Clavos
- Mangueras de aire
- Gafas de seguridad

### NOTA:

- Algunos elementos de la lista se pueden incluir en el paquete de la herramienta como accesorios estándar. Pueden ser diferentes de un país a otro.

### Ruido

ENG905-1

Niveles típicos de ruido ponderado A determinados conforme a EN ISO 11148:

#### Modelo AN923

Nivel de presión de sonido ( $L_{pA}$ ): 89 dB (A)

Nivel de potencia de sonido ( $L_{WA}$ ): 102 dB (A)

Incertidumbre (K): 3 dB (A)

#### Modelo AN943

Nivel de presión de sonido ( $L_{pA}$ ): 92 dB (A)

Nivel de potencia de sonido ( $L_{WA}$ ): 105 dB (A)

Incertidumbre (K): 3 dB (A)

Utilice protección para los oídos.

### Vibración

ENG904-1

Valor de emisión de vibraciones determinado de acuerdo con EN ISO 11148:

#### Modelo AN923

Emisión de vibraciones ( $a_{h1}$ ): 4,0 m/s<sup>2</sup>

Incertidumbre (K): 1,5 m/s<sup>2</sup>

#### Modelo AN943

Emisión de vibraciones ( $a_{h1}$ ): 3,5 m/s<sup>2</sup>

Incertidumbre (K): 1,5 m/s<sup>2</sup>

- El valor de emisión de vibraciones se ha medido de acuerdo con el método de prueba estándar y se puede utilizar para comparar herramientas.
- El valor de emisión de vibraciones declarado también se puede usar en una evaluación preliminar de la exposición.

 **ADVERTENCIA:**

- La emisión de vibraciones durante el uso de la herramienta eléctrica puede diferir del valor de emisiones declarado, dependiendo de las formas en que se utiliza la herramienta.
- Asegúrese de identificar las mediciones correctas para proteger al operario, que se basan en una estimación de la exposición en condiciones de uso reales (teniendo en cuenta todas las partes del ciclo de operaciones, como los momentos en los que la herramienta está apagada y cuando funciona al ralentí además del tiempo en que está activado el interruptor).

**Declaración de conformidad de la CE**

***Sólo para países europeos***

La Declaración de conformidad de la CE se incluye como Anexo A en este manual de instrucciones.

# PORTUGUÊS (Instruções de origem)

## Descrição geral

- |  |   |                     |
|--|---|---------------------|
| 1. Gatilho                                   | 10. Regulador                             | 21. Martelo         |
| 2. Alavanca de substituição                  | 11. Impulsor                              | 22. Haste pequena   |
| 3. Gancho                                    | 12. Alavanca do impulsor                  | 23. Porta de ejeção |
| 4. Magazine                                  | 13. Premir                                | 24. Ponta           |
| 5. Elemento de contacto                      | 14. Voltar                                | 25. Alicates        |
| 6. Débito de ar por minuto do compressor     | 15. Batente dos pregos                    | 26. Ranhura         |
| 7. Frequência de pregagem (vezes/min.)       | 16. Entrada de ar                         | 27. Bujão           |
| 8. Lubrificante para ferramentas pneumáticas | 17. Conector de ar                        | 28. Filtro de ar    |
| 9. Adaptador de bico                         | 18. Modo de atuação de contacto           | 29. Lubrificador    |
|  | 19. Bloqueio do gatilho                   | 30. Óleo pneumático |
|  | 20. Modo de atuação sequencial individual |                     |

## ESPECIFICAÇÕES

Modelo		AN923	AN943
Pressão de ar		0,44 - 0,83 Mpa (4,4 - 8,3 bar)	
Fixador	Tipo	Prego de tira de plástico (cabeça completamente redonda)	Prego de tira de papel (cabeça recortada)
	Comprimento	50 - 90 mm	50 - 90 mm
	Diâmetro	2,9 - 4,1 mm	2,9 - 3,3 mm
	Ângulo	21 graus	34 graus
Capacidade do magazine		64 - 74 un.	60 - 84 un.
Óleo para ferramentas pneumáticas		ISO VG32 ou equivalente	
Dimensões (C x A x L)		559 mm x 347 mm x 109 mm	455 mm x 365 mm x 109 mm
Diâmetro mínimo da mangueira		8,5 mm	
Peso líquido		4,0 kg	

- Devido à pesquisa e desenvolvimento constantes, estas especificações estão sujeitas a alteração sem aviso prévio.
- Estas especificações podem diferir de país para país.

### Símbolos

END106-4

Descrição dos símbolos utilizados no equipamento. Certifique-se de que compreende o seu significado, antes da utilização.



..... Leia o manual de instruções.



..... Use óculos de segurança.



..... Utilize protetores para os ouvidos.



..... A ferramenta possui a capacidade de operar no modo de atuação de contacto.



..... Não utilizar em andaimes ou escadas.

### Utilização a que se destina

ENE059-2

Esta ferramenta é indicada para trabalhos interiores preliminares tais como a fixação de vigas ou caibros comuns e trabalhos de moldura em caixas de 2" x 4". A ferramenta destina-se exclusivamente à aplicação profissional de elevado volume. Não utilize a ferramenta para outras finalidades. Não foi concebida para apertar fixadores diretamente numa superfície dura como aço e betão.

## AVISOS DE SEGURANÇA PARA PREGADOR/AGRAFADOR PNEUMÁTICO

ENB132-1

**⚠ AVISO: Leia todos os avisos de segurança e todas as instruções.** Se não seguir todos os avisos e instruções pode provocar ferimentos graves, choques elétricos e/ou incêndios.

### Guarde todos os avisos e instruções para futuras referências.

Para segurança pessoal e para o funcionamento e manutenção corretos da ferramenta, leia este manual de instruções antes de utilizar a ferramenta.

## Segurança geral

1. É proibida qualquer outra utilização, exceto a utilização prevista desta ferramenta. As ferramentas de aparafusar com fixador com atuação de contacto contínua ou atuação de contacto apenas devem ser utilizadas para aplicações de produção.
2. Mantenha os dedos afastados do gatilho quando não estiver a operar esta ferramenta e quando mudar de uma posição operacional para outra.
3. Múltiplos riscos. Leia e compreenda as instruções de segurança antes de ligar, desligar, carregar, operar, manter, substituir acessórios na ferramenta ou trabalhar junto desta. Caso não o faça pode resultar em lesões graves.
4. Mantenha todas as partes do corpo, tais como as mãos e as pernas, etc. afastadas da direção de disparo e assegure que o fixador não consegue penetrar a peça de trabalho nas partes do corpo.
5. Quando utilizar esta ferramenta, tenha em consideração que o fixador pode desviar-se e causar lesões.
6. Segure a ferramenta firmemente e esteja preparado para lidar com o recuo.
7. Apenas operadores tecnicamente qualificados devem utilizar a ferramenta de aparafusar com fixador.
8. Não modifique a ferramenta de aparafusar com fixador. As modificações poderão reduzir a eficácia das medidas de segurança e aumentar os riscos para o operador e/ou espectador.
9. Não elimine o manual de instruções.
10. Não utilize a ferramenta se esta tiver sofrido danos.
11. Tenha cuidado quando manusear fixadores, especialmente quando carregar e descarregar, dado que os fixadores têm pontas afiadas que podem causar lesões.
12. Verifique sempre a ferramenta apresenta peças partidas, mal conectadas ou gastas antes de utilizar a ferramenta.
13. Não tente alcançar um lugar à distância. Utilize a ferramenta apenas num local de trabalho seguro. Mantenha sempre uma posição e equilíbrio apropriados.
14. Mantenha os espectadores afastados (quando estiver a trabalhar numa área na qual existe a probabilidade de tráfego de pessoas). Delimite claramente a sua área de operação.
15. Nunca aponte a ferramenta na sua direção ou na direção de outras pessoas.
16. Não deixe o dedo pousado no gatilho quando pegar na ferramenta, mover-se entre as áreas e as posições de operação ou quando andar, pois o dedo pousado no gatilho pode causar o funcionamento inadvertido da ferramenta. Para as ferramentas com atuação seletiva, verifique sempre a ferramenta antes de utilizá-la, de modo a assegurar que o modo selecionado é o correto.
17. Use luvas que apenas proporcionem a sensação adequada e o controlo seguro de gatilhos e de quaisquer dispositivos de regulação.
18. Quando pousar a ferramenta, coloque-a numa superfície plana. Se utilizar o gancho equipado

com a ferramenta, enganche a ferramenta fixamente à superfície estável.

19. Não a utilize quando estiver sob a influência do álcool, drogas ou outros semelhantes.

## Riscos de projeção

1. A ferramenta de aparafusar com fixador deve estar desligada quando descarregar fixadores, realizar ajustes, desimpedir encravamentos ou substituir acessórios.
2. Durante o funcionamento, assegure que os fixadores penetram o material corretamente e que não podem ser desviados/disparados incorretamente em direção ao operador e/ou a quaisquer espectadores.
3. Durante o funcionamento, os resíduos da peça de trabalho e do sistema de fixação/disposição podem ser descarregados.
4. Use sempre óculos de proteção para proteger os seus olhos contra lesões quando utilizar ferramentas elétricas. Os óculos de proteção devem cumprir os requisitos da ANSI Z87.1 nos EUA, EN 166 na Europa ou AS/NZS 1336 na Austrália/Nova Zelândia. Na Austrália/Nova Zelândia, é legalmente obrigatório o uso de um protetor facial para proteger o seu rosto também. (Fig. 1)  
Cabe ao empregador a responsabilidade de impor o uso de equipamentos de proteção e segurança apropriados por parte dos operadores de ferramentas e por parte de outras pessoas na área de trabalho imediata.
5. Os riscos para outras pessoas devem ser avaliados pelo operador.
6. Tenha cuidado com as ferramentas sem contacto com a peça de trabalho, pois podem ser disparadas inadvertidamente e ferir o operador e/ou espectadores.
7. Assegure que a ferramenta está sempre engatada em segurança na peça de trabalho e que não desliza.
8. Utilize proteção auricular para proteger os ouvidos contra ruído de escape e proteção para a cabeça. Use ainda vestuário leve, mas não largo. As mangas devem ser abotoadas ou estar enroladas. Não deve usar gravatas.

## Riscos de operação

1. Segure a ferramenta corretamente: esteja preparado para reagir a movimentos normais e repentinos, tais como recuo.
2. Mantenha uma postura corporal equilibrada e uma posição segura.
3. Devem ser utilizados óculos de proteção apropriados e recomenda-se o uso de luvas e vestuário de proteção apropriados.
4. Deve ser usada proteção auditiva apropriada.
5. Utilize a fonte de alimentação correta conforme indicado no manual de instruções.
6. Não utilize a ferramenta em plataformas móveis ou traseira de camiões. O movimento súbito da plataforma poderá perder o controlo da ferramenta e causar lesões.
7. Assuma sempre que a ferramenta contém os fixadores.

8. **Não apresse o trabalho nem force a ferramenta. Manuseie a ferramenta com cuidado.**
9. **Tenha cuidado na forma como põe os pés e mantenha o equilíbrio com a ferramenta.**  
Certifique-se de que não está ninguém por baixo quando trabalhar em locais altos, e fixe a mangueira de ar para evitar perigos, se houver um encravamento ou sacão repentino.
10. **Nos telhados e outros locais altos, aparafuse os fixadores à medida que vai avançando.** É fácil perder o equilíbrio se aparafusar os fixadores quando está a andar para trás. Quando aparafusar os fixadores contra uma superfície perpendicular, trabalhe de cima para baixo. Pode realizar operações de aparafusamento com menos esforço se o fizer desta forma.
11. **Se aparafusar por engano um fixador sobre outro, ou se atingir um nó da madeira, o fixador pode dobrar-se ou a ferramenta pode encravar. O fixador pode ser atirado para longe e acertar em alguém ou a própria ferramenta pode reagir de forma perigosa. Coloque os fixadores com cuidado.**
12. **Não deixe a ferramenta carregada ou o compressor de ar sob pressão durante longos períodos ao sol. Certifique-se de que a poeira, a areia, as lascas e outras matérias estranhas não entrem na ferramenta no local onde a deixar assente.**
13. **Nunca tente aparafusar os fixadores a partir de dentro e de fora ao mesmo tempo.** Os fixadores podem ser arrancados e/ou serem arremessados para longe, apresentando um perigo grave.

#### Riscos de movimentos repetitivos

1. Quando utiliza uma ferramenta por períodos prolongados, o operador poderá experimentar desconforto nas mãos, braços, ombros, pescoço ou outras partes do corpo.
2. Enquanto utiliza uma ferramenta, o operador deve adotar uma postura cómoda mas ergonómica. Mantenha uma posição segura e evite posturas estranhas ou desequilibradas.
3. Se o operador experienciar sintomas, tais como desconforto persistente ou recorrente, dor, palpitações, dormência, entorpecimento, sensação de queimadura ou rigidez, não ignore estes sinais de aviso. O operador deve consultar um profissional de saúde qualificado no que diz respeito a atividades em geral.
4. A utilização contínua da ferramenta poderá causar a lesão por esforço repetitivo devido ao recuo produzido pela ferramenta.
5. Para evitar lesões decorrentes de esforço repetitivo, o operador não deve tentar chegar a locais de difícil acesso ou utilizar força excessiva. Além disso, o operador deve fazer uma pausa para descansar quando sentir fadiga.
6. Realize uma avaliação de risco relativamente aos perigos de movimento repetitivo. Esta deve concentrar-se nas desordens músculo-esqueléticas e basear-se preferencialmente no pressuposto de que a diminuição da fadiga durante o trabalho é eficaz na redução das desordens.

#### Riscos relacionados com acessórios e consumíveis

1. Desligue a alimentação de energia para a ferramenta, tal como ar ou gás ou bateria, consoante aplicável, antes de substituir os acessórios, tais como o contacto com a peça de trabalho ou realizar quaisquer ajustes.
2. Utilize apenas os tamanhos e os tipos de acessórios que são fornecidos pelo fabricante.
3. Utilize apenas os lubrificantes recomendados neste manual.

#### Riscos no local de trabalho

1. Os escorregões, tropeções e quedas são as principais causas de lesão no local de trabalho. Tenha cuidado com superfícies escorregadias causadas pela utilização da ferramenta e também com os riscos de tropeções causados pela mangueira da linha de ar.
2. Proceda com cuidado redobrado em ambientes com os quais não está familiarizado. Poderão existir riscos ocultos, tais como linhas de electricidade ou outra utilidade.
3. Esta ferramenta não se destina à utilização em atmosferas potencialmente explosivas e não está isolada contra o contacto com a corrente eléctrica.
4. Certifique-se de que não existem cabos eléctricos, tubos de gás, etc. que possam causar um risco caso sejam danificados pela utilização da ferramenta.
5. Mantenha a área de trabalho limpa e bem iluminada. As áreas obstruídas ou escuras dão origem a acidentes.
6. Podem existir regulamentos locais referentes ao ruído, que têm de ser cumpridos, mantendo os níveis de ruído dentro dos limites indicados. Em determinados casos, devem ser utilizadas persianas para conter o ruído.

#### Riscos relacionados com pó e exaustão

1. Verifique sempre ambiente em seu redor. O ar exaurido da ferramenta poderá soprar pó ou objetos e atingir o operador e/ou os espectadores.
2. Direcione o escape de modo a minimizar perturbações devidas a poeira num ambiente repleto de poeira.
3. Se for emitida poeira ou objetos na área de trabalho, reduza a emissão o máximo possível para reduzir os perigos de saúde e o risco de lesão.

#### Riscos relacionados com ruído

1. A exposição desprotegida a elevados níveis de ruído pode causar a perda permanente e incapacitante da audição e outros problemas, tais como tinido (zumbido, zunido, assobio ou murmúrio nos ouvidos).
2. Realize uma avaliação de risco relativamente aos perigos de ruído na área de trabalho e implemente os controlos apropriados para estes perigos.
3. Os controlos apropriados para reduzir o risco poderão incluir ações, tais como materiais de isolamento para prevenir o zumbido das peças de trabalho.
4. Utilize proteção auditiva apropriada.
5. Opere e mantenha a ferramenta conforme recomendado nestas instruções, de modo a



- prevenir o aumento desnecessário dos níveis de ruído.
6. Adote medidas de redução do ruído, por exemplo, ao colocar as peças de trabalho sobre suportes amortecedores de som.

#### Riscos relacionados com vibração

1. A emissão de vibração durante o funcionamento depende da força de aderência, da força da pressão de contacto, da direção de trabalho, do ajuste do fornecimento de energia, da peça de trabalho, do suporte da peça de trabalho. Realize uma avaliação de risco relativamente aos perigos de vibração e implemente os controlos apropriados para estes perigos.
2. A exposição à vibração pode causar danos incapacitantes nos nervos e suprimento sanguíneo das mãos e braços.
3. Use vestuário quente quando trabalhar em condições atmosféricas frias, mantenha as mãos quentes e secas.
4. Se experienciar entorpecimento, dormência, dor ou palidez da pele nos seus dedos ou mãos, procure aconselhamento médico de um profissional de saúde ocupacional no que diz respeito a atividades em geral.
5. Opere e mantenha a ferramenta conforme recomendado nestas instruções, de modo a prevenir o aumento desnecessário dos níveis de vibração.
6. Segure a ferramenta com um aperto leve mas seguro, porque o risco de vibração é geralmente superior quando a força de aperto é superior.

#### Avisos adicionais para ferramentas pneumáticas

1. O ar comprimido pode causar lesões graves.
2. Desligue sempre o fornecimento de ar e desligue a ferramenta do fornecimento de ar quando não estiver a ser utilizada.
3. Desligue sempre a ferramenta do fornecimento de ar comprimido antes de substituir acessórios, realizar ajustes e/ou reparações, quando se mover de uma área operacional para uma área diferente.
4. Mantenha os dedos afastados do gatilho quando não estiver a operar a ferramenta e quando mudar de uma posição operacional para outra.
5. Nunca aponte o ar comprimido na sua direção ou na direção de outras pessoas.
6. As mangueiras a sacudir podem causar lesões graves. Verifique sempre se as mangueiras ou acessórios estão danificados ou soltos.
7. Nunca transporte uma ferramenta pneumática segurando-a pela respetiva mangueira.
8. Nunca arraste uma ferramenta pneumática segurando-a pela respetiva mangueira.
9. Quando utilizar ferramentas pneumáticas não exceda a pressão máxima de funcionamento.
10. As ferramentas pneumáticas apenas devem ser acionadas por ar comprimido com a pressão mais baixa necessária para o processo de trabalho, de modo a reduzir o ruído e a vibração e minimizar o desgaste.
11. Utilizar oxigénio ou gases combustíveis para operar ferramentas pneumáticas cria o risco de incêndio e de explosão.

12. Tenha cuidado quando utilizar ferramentas pneumáticas, dado que a ferramenta pode arrefecer, afetando a aderência e o controlo.

#### Avisos adicionais para ferramentas com capacidade de atuação de contacto



1. Não deixe o dedo pousado no gatilho quando pegar na ferramenta, mover-se entre as áreas e as posições de operação ou quando andar, pois o dedo pousado no gatilho pode causar o funcionamento inadvertido da ferramenta. Para as ferramentas com atuação seletiva, verifique sempre a ferramenta antes de utilizá-la, de modo a assegurar que o modo selecionado é o correto.
2. Esta ferramenta possui atuação seletiva para atuação de contacto e atuação de contacto contínua por seletores do modo de atuação ou é uma ferramenta de atuação de contacto ou de contacto de atuação contínua e foi marcada com o símbolo acima. As suas utilizações previstas destinam-se a aplicações de produção, tais como paletes, mobília, casas pré-fabricadas, estofos e revestimentos.
3. Se utilizar esta ferramenta no modo de atuação seletiva, certifique-se sempre de que se encontra na definição de atuação correta.
4. Não utilize esta ferramenta na atuação de contacto para aplicações tais como caixas ou grades fechadas e sistemas de segurança de transporte de acessórios em reboques e camiões.
5. Tenha cuidado quando mudar de uma localização de aparafusar para outro.

#### Dispositivos de segurança

1. Certifique-se de que todos os sistemas de segurança estão em boas condições de trabalho antes da utilização. A ferramenta não pode ser utilizada se só o gatilho estiver puxado ou se só o braço de contacto estiver pressionado contra a madeira. Só pode funcionar quando as duas ações são realizadas. Testar quanto a possível funcionamento deficiente com os fixadores descarregados e o empurrador na posição de totalmente puxado.
2. **Segurar o gatilho na posição LIGADO é muito perigoso.** Nunca tente apertar o gatilho.
3. **Não tente manter fixo o elemento de contacto por meio de fita-cola ou de um fio.** Pode ocorrer morte ou ferimentos graves.
4. **Verifique sempre os elementos de contacto como indicado neste manual.** Os fixadores podem ser acidentalmente aparafusados se o mecanismo de segurança não estiver a funcionar corretamente.

#### Assistência

1. **Realize uma limpeza e manutenção logo após terminar o trabalho.** Mantenha a ferramenta nas melhores condições. Lubrifique as peças móveis para evitar a ferrugem e para minimizar o desgaste relacionado com a fricção. Limpe todo o pó das peças.

2. Solicite uma inspeção periódica da ferramenta num centro de assistência autorizado da Makita.
3. Para manter a **SEGURANÇA** e **FIABILIDADE** do produto, as manutenções e reparações devem ser realizadas pelos centros de assistência autorizados da Makita, utilizando sempre peças de substituição Makita.
4. Respeite os regulamentos locais quando eliminar a ferramenta.

## GUARDE ESTAS INSTRUÇÕES.

### AVISO:

**NÃO** permita que o conforto ou familiaridade com o produto (adquirido com o uso repetido) substitua o cumprimento estrito das regras de segurança da ferramenta. A **MÁ INTERPRETAÇÃO** ou o não seguimento das regras de segurança estabelecidas neste manual de instruções pode provocar ferimentos pessoais graves.

## DESCRIÇÃO DAS PEÇAS (Fig. 2)

## INSTALAÇÃO

### Seleção do compressor (Fig. 3)

O compressor de ar deve cumprir os requisitos da norma EN60335-2-34.

- Selecione um compressor que tenha ampla pressão e saída de ar para garantir uma operação com eficiência de custo. O gráfico ilustra a relação entre a frequência de pregar, pressão aplicável e saída do ar comprimido. Por exemplo, se pregar a uma taxa de aproximadamente 40 vezes por minuto, a uma compressão de 0,59 MPa (5,9 bar), é necessário um compressor com saída de ar de 3 CFM (pés<sup>3</sup>/minuto). Se a pressão do ar fornecido exceder a pressão indicada na ferramenta, será necessário utilizar reguladores de pressão para limitar a pressão do ar de acordo com a pressão indicada para a ferramenta. Caso contrário, poderá resultar em ferimentos graves ao operador da ferramenta ou a outras pessoas nas proximidades.

### Seleção da mangueira de ar (Fig. 4)

- Utilize uma mangueira de ar com o diâmetro tão largo e tão curta quanto possível para garantir uma operação contínua e eficiente. Com pressão de ar de 0,49 MPa (4,9 bar), é recomendável uma mangueira de ar com diâmetro interno maior de 8,5 mm (5/16") e comprimento inferior a 20 m (6,6 pés) se o intervalo entre cada prego for de 0,5 segundos. Os tubos flexíveis de fornecimento do ar possuem uma classificação de funcionamento mínimo de 1,03 MPa (10,3 bar) ou 150 por cento da pressão máxima produzida no sistema, o que for superior.

### PRECAUÇÃO:

- Pouca saída de ar do compressor ou uma mangueira de ar longo e com diâmetro pequeno em relação à frequência de pregagem pode diminuir a capacidade de operação da ferramenta.

## Lubrificação (Fig. 5)

Para garantir o máximo desempenho, instale um conjunto de ar (recipiente de óleo, regulador e filtro de ar) o mais próximo possível da ferramenta. Ajuste o lubrificador de forma que forneça uma gota de óleo para cada 30 pregos.

Se não utilizar um conjunto de ar, lubrifique a ferramenta com óleo pneumático colocando 2 (duas) ou 3 (três) gotas no conector de ar. Isto deve ser feito antes e depois de utilizar. Para lubrificação adequada, a ferramenta deve ser accionada algumas vezes após colocar o óleo pneumático. (Fig. 6)

## DESCRIÇÃO DO FUNCIONAMENTO

### PRECAUÇÃO:

- Bloqueie sempre o gatilho e desligue a mangueira antes de regular ou verificar a função na ferramenta.

## Adaptador do bico (Acessório)

### PRECAUÇÃO:

- Bloqueie sempre o gatilho e desligue a mangueira antes de instalar ou remover o adaptador do bico.

Ao pregar peças com superfícies facilmente danificáveis, utilize o adaptador do bico.

Ligue o adaptador do bico ao braço de contacto. (Fig. 7)

## Regular a profundidade de pregagem (Fig. 8)

Para ajustar a penetração do prego, rode o ajustador. A penetração máxima ocorre na posição em que o ajustador está totalmente rodado na direcção A apresentada na imagem. A penetração diminui à medida que o ajustador é rodado para a direcção B. Se os pregos não penetrarem o suficiente mesmo quando o ajustador está totalmente rodado para a direcção A, aumente a pressão do ar. Se os pregos penetrarem demais, mesmo quando o ajustador está totalmente rodado na direcção B, diminua a pressão do ar. Em geral, a vida útil da ferramenta será mais longa se for utilizada com baixa pressão de ar e o ajustador for regulado para um valor de penetração mais baixo.

### PRECAUÇÃO:

- Bloqueie sempre o gatilho e desligue a mangueira antes de regular a profundidade da pregagem.

## Instalar o gancho (Fig. 9)

### PRECAUÇÃO:

- Bloqueie sempre o gatilho e desligue a mangueira da ferramenta.
- Nunca pendure a ferramenta num local elevado ou potencialmente instável.

O gancho é muito útil para pendurar a ferramenta quando necessário.

Para utilizar o gancho, levante-o até que fique na posição de aberto.

Quando não estiver a ser utilizado, baixe sempre o gancho até que fique na posição de fechado.

# MONTAGEM

## PRECAUÇÃO:

- Bloqueie sempre o gatilho e desligue a mangueira antes de efectuar qualquer trabalho na ferramenta.

## Carregar o pregador (Fig. 10)

Selecione os pregos de acordo com o trabalho. Introduza uma faixa de pregos no carregador. (Fig. 11) Carregue pregos de que forma a que fiquem paralelos à guia. (Fig. 12) Puxe a alavanca do impulsor para trás para engatar o impulsor para o último prego.

## Descarregar o pregador (Fig. 13)

Empurre a alavanca do impulsor para trás. Volte a colocar a alavanca do impulsor enquanto mantém o impulsor premido para o desengatar da faixa de pregos. Pressione o batente de pregos e remova a faixa de pregos do carregador. (Fig. 14)

## Ligar a mangueira de ar (Fig. 15)

Bloquear o gatilho. Deslize a entrada de ar da mangueira no conector de ar do pregador. Certifique-se de que a entrada de ar fica bem bloqueada no lugar quando instalada no conector de ar. Deve ser instalada uma união da mangueira na ou perto da ferramenta, de forma a que o depósito de pressão se descarregue quando a união do fornecimento de ar for desligada.

# FUNCIONAMENTO

## PRECAUÇÃO:

- Certifique-se de que todos os sistemas de segurança estão a funcionar adequadamente antes de utilizar.

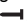
## Selecionar o modo de operação

### PRECAUÇÃO:


- Quando não estiver em utilização, regule sempre a alavanca de substituição para a posição de bloqueio do gatilho.
- Certifique-se sempre de que a alavanca de substituição está devidamente regulada na posição para o modo de pregagem pretendido antes de efetuar a pregagem.

Esta ferramenta está equipada com a alavanca de substituição. Pode seleccionar o modo de atuação sequencial individual ou o modo de atuação de contacto com esta. Pode também bloquear o gatilho ao regulá-la para a posição de bloqueio do gatilho. (Fig. 16)

### Modo de atuação sequencial individual:

Pode aparafusar um prego através de uma operação sequencial. Selecione este modo quando aparafusar um prego com cuidado e precisão. Para escolher este modo, regule a alavanca de substituição para a posição .

### Modo de atuação de contacto:

Pode aparafusar pregos repetidamente ao colocar o elemento de contacto com o gatilho retido. Para escolher este modo, regule a alavanca de substituição para a posição .

## Verificar a ação adequada antes da operação

Antes da operação, verifique sempre os pontos seguintes.

- Certifique-se de que a ferramenta não funciona ligando apenas a mangueira de ar.
- Certifique-se de que a ferramenta não funciona puxando apenas o gatilho.
- Certifique-se de que a ferramenta não funciona colocando apenas o elemento de contacto encostado à peça de trabalho sem puxar o gatilho.
- No modo de atuação sequencial simples, certifique-se de que a ferramenta não funciona quando se puxa, primeiro, o gatilho e depois se coloca o elemento de contacto contra a peça de trabalho.

## Atuação sequencial simples

Coloque o elemento de contacto contra a peça de trabalho e puxe o gatilho até ao fim. Depois de pregar, solte o elemento de contacto e, depois, solte o gatilho. (Fig. 17)

### PRECAUÇÃO:

- Não coloque o elemento de contacto contra a peça de trabalho com força excessiva. Além disso, puxe totalmente o gatilho e segure-o durante 1-2 segundos após a pregagem. Mesmo no modo de "Atuação sequencial individual", o gatilho semi-premido causa uma pregagem inesperada quando o elemento de contacto volta a contactar a peça de trabalho.

## Atuação de contacto



Primeiro puxe o gatilho e depois coloque o elemento de contacto contra a peça de trabalho. (Fig. 18)

## Mecanismo anti-accionamento

A ferramenta está equipada com um mecanismo anti-accionamento. Quando existirem poucos pregos no carregador, o braço de contacto ficará bloqueado na posição de não premido, para evitar que a ferramenta seja accionada. Carregue mais pregos para continuar a operação.

## Pregador encravado (Fig. 19)

### PRECAUÇÃO:

- Antes de desobstruir a ferramenta, bloqueie sempre o gatilho, desligue a mangueira de ar e retire os pregos do carregador.

Se o pregador ficar encravado, efectue o seguinte: Insira uma vareta pequena ou algo semelhante na porta de ejeção e bata de leve na mesma com um martelo para retirar o prego.

Utilize um alicate para dobrar o prego encravado, de forma a que a cabeça do prego saia da ranhura na guia. De seguida, retire o prego encravado. (Fig. 20)

## Pregos (Fig. 21)

Manuseie as boninas de pregos e a respectiva caixa com cuidado. Se manusear os pregos electrosoldados descuidadamente, os mesmos podem ser deformados ou os seus conectores podem quebrar, causando mau reabastecimento de pregos.

Evite guardar os pregos em lugares muito húmidos ou muito quentes ou em lugares expostos à luz solar directa. (Fig. 22)

## MANUTENÇÃO

### PRECAUÇÃO:

- Desligue sempre a mangueira de ar da ferramenta antes de tentar executar qualquer inspecção ou manutenção.
- Nunca utilize gasolina, benzina, diluente, álcool ou semelhante. Podem formar-se descolorações, deformações ou fissuras.

### Manutenção do pregador

Antes de funcionar, verifique sempre a condição geral da ferramenta e inspecione para ver se há parafusos soltos. Aperte-os como necessário. (Fig. 23)

Com a ferramenta desligada, faça uma inspecção diária para assegurar um movimento livre do elemento de contacto e do gatilho. Não use a ferramenta se o elemento de contacto ou o gatilho estiver pegajoso ou dobrado. (Fig. 24)

Certifique-se de que o gatilho está travado quando a alavanca de alteração estiver na posição ☹. (Fig. 25)

Se não for utilizar por um longo período de tempo, lubrifique a ferramenta com óleo pneumático e guarde-a em um local seguro. Evite expor à luz solar directa e/ou a ambientes quentes ou húmidos. (Fig. 26 e 27)

### Manutenção do compressor, conjunto de ar e mangueira de ar (Fig. 28 e 29)

Após utilizar, drene sempre o tanque do compressor e o filtro de ar. Se humidade penetrar na ferramenta, poderá afectar o desempenho ou causar falha da ferramenta.

Inspeccione regularmente para ver se há óleo pneumático suficiente no recipiente de óleo do conjunto de ar. Se não efectuar a lubrificação suficiente, os anéis O-rings ficarão rapidamente desgastados. (Fig. 30)

Mantenha o tubo de ar flexível afastado do calor (acima de 60°C ou 140°F) e de produtos químicos (diluente, ácidos fortes e alcalis). Além disso, coloque a mangueira longe de obstáculos nos quais a mesma possa ser presa perigosamente durante a operação. A mangueira também deve ser direccionado para longe de arestas aguçadas ou áreas que possam causar danos ou abrasão na mangueira. (Fig. 31)

Para manter os níveis de SEGURANÇA e FIABILIDADE definidos para este produto, reparações, operações de manutenção ou ajustes devem ser executados por centros de assistência Makita autorizados e, no caso de substituição de peças, estas devem ser igualmente Makita.

## ACESSÓRIOS OPCIONAIS

### ⚠ PRECAUÇÃO:

- Os seguintes acessórios ou extensões são os recomendados para utilizar com a ferramenta Makita especificada neste manual. A utilização de quaisquer outros acessórios poderá representar um risco de ferimento para as pessoas. Apenas utilize o acessório para o fim indicado.

Se precisar de informações adicionais relativas aos acessórios, contacte o centro local de assistência Makita.

- Pregos
- Tubos flexíveis de ar
- Óculos protectores

### NOTA:

- Alguns itens na lista podem estar incluídos no pacote de ferramentas como acessórios de série. Podem diferir de país para país.

### Ruído

ENG905-1

Os níveis acústicos ponderados A típicos foram determinados segundo a EN ISO 11148:

#### Modelo AN923

Nível de pressão sonora ( $L_{pA}$ ): 89 dB (A)  
Nível de potência sonora ( $L_{WA}$ ): 102 dB (A)  
Incerteza (K): 3 dB (A)

#### Modelo AN943

Nível de pressão sonora ( $L_{pA}$ ): 92 dB (A)  
Nível de potência sonora ( $L_{WA}$ ): 105 dB (A)  
Incerteza (K): 3 dB (A)

Use protecção para os ouvidos.

### Vibração

ENG904-1

O valor de emissão das vibrações determinado de acordo com a EN ISO 11148:

#### Modelo AN923

Emissão de vibração ( $a_h$ ): 4,0 m/s<sup>2</sup>  
Incerteza (K): 1,5 m/s<sup>2</sup>

#### Modelo AN943

Emissão de vibração ( $a_h$ ): 3,5 m/s<sup>2</sup>  
Incerteza (K): 1,5 m/s<sup>2</sup>

ENG901-1

- O valor da emissão de vibração declarado foi medido de acordo com o método de teste padrão e pode ser utilizado para comparar uma ferramenta com outra.
- O valor da emissão de vibração declarado pode também ser utilizado numa avaliação preliminar de exposição.

### ⚠ AVISO:

- A emissão de vibração durante a utilização real da ferramenta eléctrica pode ser diferente do valor de emissão declarado, dependendo da forma como a ferramenta é utilizada.
- Certifique-se de que identifica medidas de segurança, para proteger o operador, que são baseadas numa estimativa de exposição nas condições reais de utilização (tendo em conta todas as partes do ciclo de funcionamento, como as vezes que a ferramenta é desligada e quando está a trabalhar ao ralenti, além do tempo de utilização).

### Declaração de conformidade CE

#### Apenas para os países europeus

A declaração de conformidade CE está incluída como Anexo A neste manual de instruções.

## DANSK (Originalvejledning)

### Forklaring til generel oversigt

- |  |   |                    |
|--|---|--------------------|
| 1. Afbryder                              | 11. Trykanordning                         | 21. Hammer         |
| 2. Skifehåndtag                          | 12. Håndtag til trykanordning             | 22. Lille pind     |
| 3. Krog                                  | 13. Tryk                                  | 23. Udstødsport    |
| 4. Magasin                               | 14. Tilbage                               | 24. Drev           |
| 5. Kontaktelement                        | 15. Sømstopper                            | 25. Tang           |
| 6. Afgivelse af kompressorluft pr. minut | 16. Lufttilslutning                       | 26. Åbning         |
| 7. Sømfrekvens (gange/min.)              | 17. Luftbøsning                           | 27. Aftåpningshane |
| 8. Olie til trykluftsværktøj             | 18. Kontaktaktiveringstilstand            | 28. Luftfilter     |
| 9. Spidsadapter                          | 19. Afbryderlås                           | 29. Smørenippel    |
| 10. Justeringsenhed                      | 20. Enkelt sekventiel aktiveringstilstand | 30. Trykluftsolie  |

## SPECIFIKATIONER

Model	AN923	AN943	
Lufttryk	0,44 – 0,83 MPa (4,4 – 8,3 bar)		
Fastgørelsesmiddel	Type	Plastikbånd med søm (fuldhoved)	Papirbånd med søm (D-hoved)
	Længde	50 - 90 mm	50 - 90 mm
	Diameter	2,9 - 4,1 mm	2,9 - 3,3 mm
	Vinkel	21 grader	34 grader
Kapacitet af magasin	64 – 74 stk.	60 – 84 stk.	
Olie til trykluftsmaskine	ISO VG32 eller tilsvarende		
Størrelse (L x H x B)	559 mm x 347 mm x 109 mm	455 mm x 365 mm x 109 mm	
Mindste diameter af slange	8,5 mm		
Nettovægt	4,0 kg		

- På grund af vores løbende forsknings- og udviklingsprogram kan specifikationerne heri ændres uden forudgående varsel.
- Specifikationerne kan variere fra land til land.

### Symboler

END106-4

Følgende viser de symboler, der benyttes til udstyret. Vær sikker på, at du forstår deres betydning, før du bruger maskinen.



..... Læs brugsanvisningen.



..... Bær beskyttelsesbriller.



..... Brug høreværn.



..... Maskinen kan fungere i kontaktaktiveringstilstand.



..... Anvend ikke enheden på stilladser eller stiger.

### Tilsigtet anvendelse

ENE059-2

Denne maskine er beregnet til preliminært indendørs arbejde, for eksempel reparation af gulvsammenføjninger

eller almindelige bjælker og rammer i 2" x 4" sammenfældning.

Maskinen er kun beregnet til professionel anvendelse med stor arbejdsmængde. Brug den ikke til noget andet formål. Den er ikke beregnet til at drive fastgørelsesmidler direkte ind i en hård overflade som stål og beton.

## SIKKERHEDSADVARSLER FOR TRYKLUFETS SØMPISTOL/ KRAMPEMASKINE

ENB132-1

**⚠ ADVARSEL: Læs alle sikkerhedsadvarsler og alle instruktioner.** Hvis De ikke følger advarselne og instruktionerne, kan det medføre alvorlig personskade, elektrisk stød og/eller brand.

### Gem alle advarsler og instruktioner til fremtidig reference.

Af hensyn til Deres personlige sikkerhed samt for korrekt betjening og vedligeholdelse af maskinen skal De læse denne brugsanvisning, før De bruger maskinen.

### Generel sikkerhed

1. **Al anden brug end den tilsigtede brug er forbudt. Maskiner til idrivning af fastgørelsesmidler med kontinuerlig kontaktaktivering eller kontaktaktivering må kun bruges til produktionsformål.**

2. Hold fingrene på afstand af udløseren, når maskinen ikke bruges, og når den flyttes fra ét arbejdssted til et andet.
3. Flere risici. Du skal læse og forstå sikkerhedsinstruktionerne, før du tilslutter, frakobler, isætter, betjener, vedligeholder, skifter tilbehør på eller arbejder i nærheden af maskinen. Hvis du ikke overholder dette, kan det resultere i alvorlig legemsbeskadigelse.
4. Hold alle kropsdele som f.eks. hænder og ben osv. væk fra affyringsretningen, og sørg for, at fastgørelsesmidler ikke kan trække igennem arbejdsemnet og ind i dele af kroppen.
5. Ved brug af maskinen skal du være opmærksom på, at fastgørelsesmidlet kan blive slynget tilbage og forårsage personskade.
6. Hold maskinen med et fast greb, og vær forberedt på at håndtere tilbageslag.
7. Kun teknisk uddannede operatører må bruge maskinen til idrivning af fastgørelsesmidler.
8. Undlad at ændre maskinen til idrivning af fastgørelsesmidler. Ændringer kan reducere sikkerhedsforanstaltningernes effektivitet og øge risikoen for operatøren og/eller omkringstående.
9. Undlad at smide brugsanvisningen væk.
10. Undlad at bruge en maskine, hvis maskinen er beskadiget.
11. Vær forsigtig ved håndtering af fastgørelsesmidler, især i forbindelse med indsætning og fjernelse, da fastgørelsesmidler har skarpe spidser, som kan forårsage personskade.
12. Kontroller altid maskinen før brug for knækkede, forkeft tilkoblede eller slidte dele.
13. Stræk dig ikke for langt. Brug kun på et sikkert arbejdssted. Oprethold til enhver tid sikkert fodfæste og balance.
14. Hold omkringstående på afstand (ved arbejde på et sted, hvor det er sandsynligt, at personer vil færdes). Afmærk brugsområdet tydeligt.
15. Ret aldrig maskinen mod dig selv eller andre.
16. Lad ikke fingrene hvile på udløseren, når du tager maskinen op, flytter dig mellem arbejdsområder og positioner eller går, da en finger på udløseren kan medføre utilsigtet funktion. For maskiner med selektiv aktiveringstilstand skal du altid kontrollere maskinen før brugen for at sikre dig, at den korrekte tilstand er valgt.
17. Bær kun handsker, der giver tilstrækkelig følelse og sikker kontrol med udløseren og andre justeringsmekanismer.
18. Læg maskinen på en flad overflade, når den ikke bruges. Hvis du bruger den krog, der følger med maskinen, skal du fastgøre maskinen forsvarligt på den stabile overflade.
19. Undlad brug, hvis De er påvirket af alkohol, narkotika eller lignende.

#### Risici i forbindelse med projektiler

1. Maskinen til idrivning af fastgørelsesmidler skal være taget ud af forbindelse, når du tager fastgørelsesmidler ud, foretager justeringer, fjerner fastklemte emner eller skifter tilbehør.
2. Under brugen skal du sørge omhyggeligt for, at fastgørelsesmidler trænger korrekt ind i materialet, og at de ikke kan slynges tilbage eller

affyres utilsigtet mod operatøren og/eller eventuelle omkringstående.

3. Under brugen kan der frigøres rester fra arbejdsemnet og fastgørelses-/sorteringssystemet.
4. Bær altid beskyttelsesbriller for at beskytte dine øjne mod skader, når du bruger maskiner. Beskyttelsesbrillerne skal overholde ANSI Z87.1 i USA, EN 166 i Europa eller AS/NZS 1336 i Australien/New Zealand. I Australien/New Zealand er det desuden påbudt ved lov at bære ansigtsskærm for at beskytte dit ansigt. (Fig. 1) Det er arbejdsgiverens ansvar at påbyde brugerne af maskinen samt andre personer i det umiddelbare arbejdsområde at bære passende sikkerhedsbeskyttelsesudstyr.
5. Operatøren skal vurdere risikoen for andre.
6. Vær forsigtig med maskiner uden kontakt med arbejdsemnet, da de kan udløses utilsigtet og skade operatøren og/eller omkringstående.
7. Sørg for, at maskinen altid har sikker kontakt med arbejdsemnet, og at den ikke kan glide.
8. Brug høreværn for at beskytte Deres ører mod udstødningsstøj og som hovedværn. Bær også let, men ikke løst tøj. Ærmer skal være knappet eller rullet op. Undlad at bære halstørklæde.

#### Risici ved brug

1. Hold maskinen korrekt: Vær klar til at imødegå normale eller pludselige bevægelser som f.eks. tilbageslag.
2. Oprethold en velfalanceret kropstilling og sikkert fodfæste.
3. Der skal benyttes passende sikkerhedsbriller, og passende handsker og beskyttelsestøj anbefales.
4. Der skal bæres passende høreværn.
5. Anvend kun den korrekte energiforsyning som angivet i brugsanvisningen.
6. Anvend ikke maskinen på bevægelige platforme eller bag på lastbiler. Hvis platformen bevæger sig pludseligt, kan det medføre tab af kontrollen med maskinen og forårsage personskade.
7. Gå altid ud fra, at der er fastgøringsmidler i maskinen.
8. Undlad at arbejde for hurtigt eller at bruge magt på maskinen. Håndter maskinen forsigtigt.
9. Vær opmærksom på Deres fodfæste, og hold balancen, når De bruger maskinen. Sørg for, at der ikke står nogen under Dem, når De arbejder på højtliggende steder, og fastgør luftslangen for at undgå fare, hvis der er pludselige ryk, eller den sætter sig fast.
10. På tage og andre højtliggende steder skal De drive fastgøringsmidler, efterhånden som De arbejder Dem fremad. Det er let at miste fodfæstet, hvis De driver fastgøringsmidler, mens De kryber baglæns. Ved drivning af fastgøringsmidler mod en lodret flade skal De arbejde fra toppen mod bunden. De bliver mindre trætte under udførelsen af driverarbejdet ved at gøre dette.
11. Et fastgøringsmiddel kan bøjes, eller der kan opstå stop i maskinen, hvis De ved en fejltagelse driver et fastgøringsmiddel oven i et andet fastgøringsmiddel eller rammer en knude i træet. Fastgøringsmidlet kan slynges ud og ramme

personer, eller selve maskinen kan reagere på farlig vis. Placer fastgøringsmidlerne omhyggeligt.

- Lad ikke maskinen ligge med isatte fastgøringsmidler eller luftkompressoren stå under tryk i længere tid i solen. Sørg for, at støv, sand, spåner og fremmedlegemer ikke kommer ind i maskinen på det sted, hvor du efterlader den.
- Forsøg aldrig at drive fastgøringsmidler fra både indersiden og ydersiden på samme tid.  
Fastgøringsmidler kan gå igennem og/eller flyve væk og forårsage alvorlig fare.

#### Risici i forbindelse med gentagne bevægelser

- Ved brug af en maskine i længere tidsrum kan operatøren opleve ubehag i hænderne, armene, skuldrene, nakken eller andre dele af kroppen.
- Ved brug af en maskine skal operatøren indtage en passende, men ergonomisk stilling. Oprethold sikkert fodfæste, og undgå akavede stillinger eller stillinger, hvor du er ude af balance.
- Hvis operatøren oplever symptomer som vedvarende eller gentagen ubehag, smerte, dunken, ømhed, prikken, følelsesløshed, brændende fornemmelse eller stivhed, må disse advarselstegn ikke ignoreres. Operatøren skal konsultere en kvalificeret sundhedsspecialist vedrørende de overordnede aktiviteter.
- Kontinuerlig brug af maskinen kan forårsage gentagen belastningsskade på grund af det tilbageslag, som maskinen udvikler.
- For at undgå gentagen belastningsskade må operatøren ikke strække sig for langt eller bruge overdreven magt. Operatøren skal desuden tage et hvil, når han eller hun føler sig træt.
- Foretag en risikovurdering vedrørende risici i forbindelse med gentagne bevægelser. Den bør fokusere på muskel- og skeletlidelse og fortrinvis være baseret på den antagelse, at reduktion af træthed under arbejdet er effektiv for at reducere lidelser.

#### Risici i forbindelse med tilbehør og forbrugsstoffer

- Frakobl energiforsyningen til maskinen, for eksempel luft eller gas eller batteri, afhængigt af hvad der er relevant, før du skifter/udskifter tilbehør som f.eks. kontakt med arbejdsemnet eller foretager justeringer.
- Brug kun de størrelser og typer af tilbehør, som producenten leverer.
- Brug kun de smøremidler, der anbefales i denne brugsvejledning.

#### Risici i forbindelse med arbejdsstedet

- Glid, snublen og fald er hyppige årsager til personskader på arbejdspladsen. Vær opmærksom på glatte overflader, der fremkommer ved brugen af maskinen, og også på snublefarer på grund af luftslangen.
- Vær ekstra forsigtig i uvante omgivelser. Der kan være skjulte farer, for eksempel ledninger eller andre forsyningsledninger.
- Denne maskine er ikke beregnet til brug i potentielt eksplosive atmosfærer, og den er ikke isoleret, hvis den kommer i kontakt med elektrisk strøm.

- Sørg for, at der ikke er nogen elledninger, gasrør osv., der kan udgøre en fare, hvis de beskadiges ved brug af maskinen.
- Hold arbejdsområdet rent og veloplyst. Rodede eller mørke områder forårsager ulykker.
- Der kan være lokale regler for støj, som skal overholdes ved at holde støjniveauet inden for de foreskrevne grænser. I nogle tilfælde skal der benyttes skodder for at holde støj inde.

#### Risici i forbindelse med støv og udstødning

- Kontroller altid dine omgivelser. Den luft, der kommer ud af maskinen, kan blæse støv eller genstande, som kan ramme operatøren og/eller omkringstående.
- Ret udstødningen, så forstyrrelsen af støv i støvfylde omgivelser minimeres.
- Hvis støv eller genstande slynges ud i arbejdsområdet, skal du reducere emissionen så meget som muligt for at reducere sundhedsrisici og risiko for personskade.

#### Risici i forbindelse med støj

- Ubeskyttet udsættelse for høje støjniveauer kan forårsage permanent, invaliderende tab af hørelsen og andre problemer som f.eks. tinnitus (ringen, summen, fløjten eller brummen i ørerne).
- Foretag en risikovurdering vedrørende risici i forbindelse med støj i arbejdsområdet, og træf passende forholdsregler vedrørende disse risici.
- Passende kontroller for at mindske risikoen kan omfatte foranstaltninger som f.eks. dæmpende materialer for at forhindre arbejdsemner i at "ringe".
- Anvend passende høreværn.
- Betjen og vedligehold maskinen som anbefalet i disse instruktioner for at forhindre unødigt forøgelser af støjniveauet.
- Træf forholdsregler for at reducere støj, for eksempel ved at placere arbejdsemner på lyd-dæmpende støtter.

#### Risici i forbindelse med vibrationer

- Vibrationsafgivelsen under brug afhænger af gribekraften, kontaktrykkraften, arbejdsretningen, justeringen af energiforsyningen, arbejdsemnet og understøttelsen af arbejdsemnet. Foretag en risikovurdering vedrørende risici i forbindelse med vibration, og træf passende forholdsregler vedrørende disse risici.
- Udsættelse for vibration kan forårsage invaliderende skader på nerverne og blodforsyningen til hænderne og armene.
- Bær varmt tøj, når du arbejder i kolde omgivelser, så du holder hænderne varme og tørre.
- Hvis du oplever følelsesløshed, prikken, smerte, eller at huden på fingrene eller hænderne bliver bleg, skal du søge medicinsk rådgivning fra en kvalificeret professionel sundhedsspecialist vedrørende dine overordnede aktiviteter.
- Betjen og vedligehold maskinen som anbefalet i disse instruktioner for at forhindre unødigt forøgelse af vibrationsniveauet.

6. Hold maskinen med et let, men sikkert greb, da risikoen for vibration generelt er større, når gribekraften er stærkere.

#### Yderligere advarsler for trykluftmaskiner

1. Komprimeret luft kan forårsage alvorlig personskade.
2. Sluk altid for luftforsyningen, og tag maskinen ud af forbindelse med luftforsyningen, når den ikke er i brug.
3. Afbryd altid maskinen fra den komprimerede luftforsyning, før du skifter tilbehør, foretager justeringer og/eller reparationer, når du flytter fra ét arbejdsområde til et andet område.
4. Hold fingrene på afstand af udløseren, når maskinen ikke bruges, og når den flyttes fra ét arbejdssted til et andet.
5. Ret aldrig komprimeret luft mod dig selv eller andre.
6. Piskende slanger kan forårsage alvorlig personskade. Kontroller altid for beskadigede eller løse slanger eller fittings.
7. Bær aldrig en trykluftmaskine i slangen.
8. Træk aldrig en trykluftmaskine i slangen.
9. Ved brug af trykluftmaskiner må du ikke overskride det maksimale driftstryk ps max.
10. Trykluftmaskiner må kun drives af komprimeret luft ved det laveste tryk, der er nødvendigt for arbejdsprocessen, for at reducere støj og vibration og minimere sliddet.
11. Brug af ilt eller brandbare gasser til drift af trykluftmaskiner udgør en brand- og eksplosionsfare.
12. Vær forsigtig ved brug af trykluftmaskiner, da maskinen kan blive kold, hvilket påvirker grebet og styringen.

#### Yderligere advarsler for maskiner med funktion til kontaktaktivering



1. Lad ikke fingeren hvile på afbryderen, når du tager maskinen op, flytter dig mellem arbejdsområder og positioner eller går, da en finger på afbryderen kan medføre utilsigtet funktion. For maskiner med selektiv aktiveringstilstand skal du altid kontrollere maskinen før brugen for at sikre dig, at den korrekte tilstand er valgt.
2. Denne maskine har enten selektiv aktiveringstilstand til kontaktaktivering eller kontinuerlig kontaktaktivering ved vælgere til aktiveringstilstand, eller den er en kontaktaktiverings- eller kontinuerlig kontaktaktiveringsmaskine, som er mærket med ovenstående symbol. Dens tilsigtede brug er til produktionsformål som f.eks. lastpaller, møbler, præfabrikerede huse, møbelpolstring og beklædning.
3. Hvis maskinen anvendes i selektiv aktiveringstilstand, skal du altid sikre dig, at den er i den korrekte aktiveringsindstilling.

4. Udlad at bruge maskinen i kontaktaktivering til formål som lukning af kasser eller tremmekasser og montering af transportsikkerhedssystemer på anhængere og lastbiler.
5. Vær forsigtig, når der skiftes fra ét arbejdssted til et andet.

#### Sikkerhedsheder

1. Sørg for, at alle sikkerhedssystemer fungerer, før brugen. Maskinen må ikke kunne køre, hvis der kun trykkes på afbryderknappen, eller hvis kun kontaktarmen trykkes mod træet. Den må kun fungere, når begge handlinger udføres. Test for eventuel fejlfunktion uden fastgøringsmidler og udstøderen i fuldt trukket position.
2. Det er meget farligt at fastlåse udløseren i TIL-stillingen. Forsøg aldrig at fastlåse udløseren.
3. Forsøg ikke at holde kontaktelelementet trykket ned med tape eller ståltråd. Dette kan medføre dødsfald eller alvorlig personskade.
4. Kontrollér altid kontaktelelementet som beskrevet i denne brugsanvisning. Fastgøringsmidler kan blive drevet ved et uheld, hvis sikkerhedsmekanismen ikke fungerer korrekt.

#### Service

1. Udfør rengøring og vedligeholdelse umiddelbart efter, at De afslutter arbejdet. Hold maskinen i bedste stand. Smør bevægelige dele for at undgå rust og minime friktionsrelateret slid. Tør alt støv af delene.
2. Bed et Makita autoriseret servicecenter om periodisk inspektion af maskinen.
3. For at opretholde produktets SIKKERHED og PÅLIDELIGHED skal vedligeholdelse og reparation udføres af Makita autoriserede servicecentre, og der skal altid benyttes Makita reservedele.
4. Følg de lokale regulativer ved bortskaffelse af maskinen.

## GEM DISSE FORSKRIFTER.

### ⚠ ADVARSEL:

LAD IKKE bekvemmelighed eller kendskab til produktet (opnået gennem gentagen brug) forhindre, at sikkerhedsforskrifterne for produktet nøje overholdes. MISBRUG eller forsømmelse af at følge de i denne brugsvejledning givne sikkerhedsforskrifter kan medføre alvorlig personskade.

## BESKRIVELSE AF DELENE (Fig. 2)

## MONTERING

### Valg af kompressor (Fig. 3)

Luftkompressoren skal overholde kravene i EN60335-2-34.

- Vælg en kompressor med tilstrækkeligt tryk og luftudgang til at sikre en effektiv drift. Grafen viser forholdet mellem sømfrekvens, anvendt tryk og kompressorens luftudgang. Hvis søm-idrivning f.eks.



udføres med en hastighed på cirka 40 gange i minuttet ved en kompression på 0,59 MPa (5,9 bar), skal der anvendes en kompressor med en luftudgang på mere end 3 CFM (fod<sup>3</sup>/minut). Der skal benyttes trykregulatorer til at begrænse lufttrykket til værktøjets nominelle tryk, hvis luftforsynings tryk overskrider værktøjets nominelle tryk. Undladelse af dette kan medføre alvorlig personskade på operatøren eller personer i nærheden.

## Valg af luftslange (Fig. 4)

- Anvend en luftslange med en stor diameter og som er så kort som muligt, for at sikre kontinuert og effektiv søm-ildrivning. Med et lufttryk på 0,49 MPa (4,9 bar) anbefales det at benytte en luftslange med en indvendig diameter på mindst 8,5 mm (5/16") og en længde på højst 20 m (6,6 fod), hvis intervallet mellem hver søm-ildrivning er 0,5 sekund. Luftforsyningslanger skal mindst være godkendt til den højeste værdi af et arbejdsstryk på 1,03 MPa (10,3 bar) eller 150 procent af det maksimale tryk, som systemet udvikler.

### FORSIGTIG:

- En for lav luftudgang fra kompressoren eller en for lang og tynd luftslange i forhold til sømfrekvensen kan reducere værktøjets drivkapacitet.

## Smøring (Fig. 5)

For at sikre maksimal ydelse skal der monteres et luftsæt (smørenippel, regulator, luftfilter) så tæt på værktøjet som muligt. Juster smørenippen, så der tilføres en dråbe olie for hver 30 søm.

Hvis der ikke anvendes et luftsæt, skal De smøre værktøjet med olie til lufttrykværktøj ved at tilføre 2 (to) eller 3 (tre) dråber i lufttilslutningen. Gør dette før og efter brugen. For at sikre korrekt smøring skal værktøjet affyres nogle gange, efter at olien til lufttryksværktøj er tilført. (Fig. 6)

## FUNKTIONSBESKRIVELSE

### FORSIGTIG:

- Lås altid afbryderkontakten, og tag slangen af, inden De justerer værktøjet eller kontrollerer dets funktion.

## Spidsadapter (tilbehør)

### FORSIGTIG:

- Lås altid afbryderen fast, og tag slangen ud før montering eller demontering af spidsadapteren.

Brug spidsadapteren til at drive søm i skrøbelige overflader.

Monter spidsadapteren på kontaktarmen. (Fig. 7)

## Indstilling af dybden af søm-ildrivning (Fig. 8)

Drej på justeringsenheden for at justere dybden af søm-ildrivning. Dybden af søm-ildrivningen er størst, når justeringsenheden er drejet helt i A-retningen som vist på figuren. Dybden bliver mindre, når justeringsenheden drejes i B-retningen. Hvis søm ikke kan drives dybt nok, selv om justeringsenheden er drejet helt i A-retningen, skal De forøge lufttrykket. Hvis søm drives for dybt, selv

om justeringsenheden er drejet helt i B-retningen, skal De reducere lufttrykket. Generelt vil værktøjets levetid blive forlænget, hvis værktøjet benyttes med et lavere lufttryk, og justeringsenheden er indstillet til en mindre dybde for søm-ildrivning.

### FORSIGTIG:

- Lås altid afbryderkontakten, og tag slangen af, før De justerer dybden af søm-ildrivning.

## Montering af krogen (Fig. 9)

### FORSIGTIG:

- Lås altid afbryderkontakten, og tag slangen ud af værktøjet.
- Hæng aldrig værktøjet på et højt sted eller på et potentielt ustabilt underlag.

Krogen er nyttig til midlertidig ophængning af værktøjet. For at benytte krogen skal De blot løfte krogen opad, indtil den klikker på plads i den åbne stilling. Sæk altid krogen, indtil den klikker på plads i den lukkede stilling, når den ikke benyttes.

## MONTERING

### FORSIGTIG:

- Lås altid afbryderkontakten, og tag slangen ud, før De udfører nogen form for arbejde på værktøjet.

## Isætning af søm i sømpistolen (Fig. 10)

Vælg søm, der passer til arbejdet. Sæt sømholderen i magasinet. (Fig. 11)

Isæt søm, så de er parallelle med frontstyrestykket.

### (Fig. 12)

Træk håndtaget til trykanordningen bagud for at sætte trykanordningen mod det sidste søm.

## Udtagning af sømholder (Fig. 13)

Træk trykanordningen bagud. Skub håndtaget til trykanordningen bagud, mens der trykkes på trykanordningen, for at frigøre den fra sømholderen. Tryk på sømstopperen, og tag sømholderen ud af magasinet. (Fig. 14)

## Montering af luftslangen (Fig. 15)

Lås afbryderkontakten fast. Anbring luftbøsningen på luftslangen over lufttilslutningen på sømholderen. Sørg for, at luftbøsningen låses fast på plads, når den monteres på lufttilslutningen. Der skal være monteret en slangekobling på eller i nærheden af værktøjet på en sådan måde, at trykreservoiret forsvinder, når luftforsyningskoblingen tages ud af forbindelse.

## BETJENING

### FORSIGTIG:

- Sørg for, at alle sikkerhedssystemer fungerer, før anvendelsen.

## Valg af driftstilstand


### FORSIGTIG:

- Når maskinen ikke benyttes, skal skiftehåndtaget altid sættes i afbryderlæsepositionen.


- Sørg altid for, at skiftehåndtaget er indstillet korrekt i positionen for den ønskede sømidrivningstilstand, før der idrives søm.

Maskinen har et skiftehåndtag. Med dette kan du enten vælge den enkelte sekventielle aktiveringstilstand eller kontaktaktiveringstilstanden. Du kan også låse afbryderen ved at indstille det til afbryderlåsepositionen. (Fig. 16)

#### Enkelt sekventiel aktiveringstilstand:

Du kan idrive ét søm i én sekventiel handling. Vælg denne tilstand, når du vil idrive et søm omhyggeligt og nøjagtigt. For at vælge denne tilstand skal skiftehåndtaget stilles i -positionen.

#### Kontaktaktiveringstilstand:

Du kan idrive søm gentagne gange ved at placere kontaktelelementet med udløseren holdt nede. For at vælge denne tilstand skal skiftehåndtaget stilles i -positionen.

### Kontrol af korrekt funktion inden anvendelse

Kontroller altid følgende punkter inden anvendelse.

- Sørg for, at maskinen ikke aktiveres blot ved tilslutning af luftslangen.
- Sørg for, at maskinen ikke aktiveres blot ved at trykke på afbryderkontakten.
- Sørg for, at maskinen ikke aktiveres blot ved at sætte kontaktelelementet mod arbejdsemnet, uden at der trykkes på afbryderkontakten.
- I enkelt sekventiel aktiveringstilstand skal du sikre dig, at maskinen ikke fungerer, når der først trykkes på afbryderkontakten, hvorefter kontaktelelementet placeres mod arbejdsemnet.

### Enkelt sekventiel aktivering

Placer kontaktelelementet mod arbejdsemnet, og tryk afbryderkontakten helt ned.

Efter sømidrivningen skal du slippe kontaktelelementet og derefter slippe afbryderkontakten. (Fig. 17)

#### FORSIGTIG:

- Tryk ikke kontaktelelementet mod arbejdsemnet med overdreven kraft. Tryk desuden afbryderen helt ind, og hold den der i 1-2 sekunder efter idrivning af søm. Også i "Enkelt sekventiel aktiveringstilstand" kan en halvt nedtrykket afbryder medføre uventet idrivning af søm, når kontaktelelementet får kontakt med arbejdsemnet igen.

### Kontaktaktivering



Aktiver først afbryderkontakten, og sæt derefter kontaktelelementet mod arbejdsemnet. (Fig. 18)

### Mekanisme til forhindring af affyring uden søm

Værktøjet har en mekanisme til at forhindre, at det affyres uden søm. Når der kun er få søm tilbage i magasinet, fastlåses kontaktarmen i den ikke-nedtrykte stilling for at

forhindre, at værktøjet aktiveres. Indsæt flere søm for at genoptage arbejdet.

### Fastklemt sømholder (Fig. 19)

#### FORSIGTIG:

- Lås altid afbryderkontakten, frakobl luftslangen, og fjern sømmene fra magasinet før et stop afhjælpes.

Gør følgende, hvis sømholderen sætter sig fast:

Sæt en lille pind eller lignende ind i udstødsporten, og bank let på den med en hammer for at skubbe drevet tilbage.

Brug en tang til at bøje det fastlåste søm, så hovedet kommer ud af åbningen i drevguiden. Fjern derefter det fastlåste søm. (Fig. 20)

### Søm (Fig. 21)

Håndter sømbånd og æsken med dem forsigtigt. Hvis sømbånd håndteres hårdt, kan de blive bøjet, eller deres forbindelse ødelægges, så sømfremføringen forhindres. Undgå at opbevare søm på fugtige eller varme steder eller på steder, der er udsat for direkte sollys. (Fig. 22)

## VEDLIGEHOVELSE


#### FORSIGTIG:

- Tag altid luftslangen ud af værktøjet før du forsøger at udføre inspektion eller vedligeholdelse.
- Brug aldrig benzin, benzen, fortynder, alkohol eller lignende. Det kan muligvis medføre misfarvning, deformation eller revner.

### Vedligeholdelse af sømpistolen

Kontroller altid værktøjets generelle tilstand, og se efter løse skruer før brugen. Stram til efter behov. (Fig. 23)

Udfør daglig inspektion med værktøjet taget ud af forbindelse for at sikre Dem, at kontaktelelementet og afbryderkontakten kan bevæge sig frit. Undlad at bruge værktøjet, hvis kontaktelelementet eller afbryderkontakten klemmer eller binder. (Fig. 24)

Sørg for, at kontakten er låst, når skiftearmen er indstillet til -positionen. (Fig. 25)

Hvis værktøjet ikke skal anvendes i længere tid, skal det smøres med en olie til trykluftsværktøj, og værktøjet skal opbevares et sikkert sted. Undgå, at værktøjet udsættes for direkte sollys og/eller fugtige eller varme steder. (Fig. 26 og 27)

### Vedligeholdelse af kompressoren, luftsættet og luftslangen (Fig. 28 og 29)

Efter brugen skal De altid tømme kompressortanken og luftfilteret ud. Hvis der trænger fugt ind i værktøjet, kan det medføre dårlig ydelse og risiko for fejlfunktion.

Kontroller regelmæssigt, om der er tilstrækkelig trykluftsolie i smøreoliplen på luftsættet. Forsømmelse af tilstrækkelig smøring vil bevirke, at O-ringene hurtigt nedslides. (Fig. 30)

Udsæt ikke luftslangen for varme (over 60°C) eller for kemikalier (fortynder, stærke syrer eller baser). Sørg også for at føre luftslangen uden om forhindringer, hvor den kan komme i klemme under brugen. Slinger skal desuden holdes borte fra skarpe kanter og områder, der kan medføre beskadigelse eller slid på slangen. (Fig. 31)

For at holde produktet SIKKERT og PÅLIDELIGT skal reparationer samt al anden vedligeholdelse og justering udføres af autoriserede Makita-servicecentre, og der skal altid benyttes Makita-reservedele.

f.eks. antal gange maskinen slukkes, og når den kører i tomgang ud over triggertiden).

## EKSTRAUDSTYR

### FORSIGTIG:

- Dette tilbehør eller ekstraudstyr anbefales til brug med det Makita-værktøj, som er beskrevet i denne brugsanvisning. Brug af andet tilbehør eller ekstraudstyr kan forårsage personskade. Brug kun tilbehør eller ekstraudstyr til det formål, det er beregnet til.

Henvend dig til dit lokale Makita-servicecenter, hvis du har brug for hjælp eller yderligere oplysninger vedrørende tilbehøret.

- Søm
- Luftslinger
- Sikkerhedsbriller

### BEMÆRK:

- Visse dele på listen er muligvis indeholdt maskinindpakningen som standardtilbehør. De kan variere fra land til land.

### Støj

ENG905-1

Det typiske A-vægtede støjniveau bestemt i overensstemmelse med EN ISO 11148:

#### Model AN923

Lydtryksniveau ( $L_{pA}$ ): 89 dB (A)  
Lydeffektniveau ( $L_{WA}$ ): 102 dB (A)  
Usikkerhed (K): 3 dB (A)

#### Model AN943

Lydtryksniveau ( $L_{pA}$ ): 92 dB (A)  
Lydeffektniveau ( $L_{WA}$ ): 105 dB (A)  
Usikkerhed (K): 3 dB (A)

**Bær høreværn.**

### Vibration

ENG904-1

Vibrationsemissionsværdien er bestemt i henhold til EN ISO 11148:

#### Model AN923

Vibrationsemission ( $a_h$ ): 4,0 m/s<sup>2</sup>  
Usikkerhed (K): 1,5 m/s<sup>2</sup>

#### Model AN943

Vibrationsemission ( $a_h$ ): 3,5 m/s<sup>2</sup>  
Usikkerhed (K): 1,5 m/s<sup>2</sup>

ENG901-1

- Den opgivne vibrationsemissionsværdi er målt i overensstemmelse med standardtestmetoden og kan bruges til at sammenligne et værktøj med et andet.
- Den opgivne vibrationsemissionsværdi kan muligvis også bruges til en indledende eksponeringsvurdering.

### ADVARSEL:

- Vibrationsemissionen under den faktiske brug af maskinen kan afvige fra den opgivne emissionsværdi afhængigt af den måde, maskinen anvendes på.
- Sørg for at bestemme sikkerhedsforanstaltninger for beskyttelse af operatøren, som er baseret på en eksponeringsvurdering for brug under faktiske forhold (hvor alle anvendelsescyklussens dele inddrages, som

## ΕΛΛΗΝΙΚΑ (Πρωτογενείς οδηγίες)

### Περιγραφή γενικής όψης

- |  |   |  |
|--|---|--|
| 1. Σκανδάλη                            | 11. Ωθητής                                      | 21. Σφυρί                              |
| 2. Μοχλός αλλαγής                      | 12. Μοχλός ωθητή                                | 22. Μικρή ράβδος                       |
| 3. Γάντζος                             | 13. Πατήστε                                     | 23. Θύρα εκτίναξης                     |
| 4. Γεμιστήρας                          | 14. Επιστρέψτε                                  | 24. Οδηγός                             |
| 5. Στοιχείο επαφής                     | 15. Στοπ καρφιών                                | 25. Πέσσα                              |
| 6. Έξοδος αέρα συμπιεστή ανά λεπτό     | 16. Υποδοχή αέρα                                | 26. Σχισμή                             |
| 7. Συχνότητα καρφώματος (φορές/ λεπτό) | 17. Προσάρτημα αέρα                             | 27. Κρουσμός αποστράγγισης             |
| 8. Λάδι για εργαλεία πεπιεσμένου αέρα  | 18. Τρόπος ενεργοποίησης επαφής                 | 28. Φίλτρο αέρα                        |
| 9. Προσαρμογέας μύτης                  | 19. Κλειδωμα σκανδάλης                          | 29. Λιπαντήρας                         |
| 10. Ρυθμιστής                          | 20. Τρόπος μοναδικής ακολουθιακής ενεργοποίησης | 30. Λάδι για εργαλεία πεπιεσμένου αέρα |

## ΤΕΧΝΙΚΑ ΧΑΡΑΚΤΗΡΙΣΤΙΚΑ

Μοντέλο		AN923	AN943
Πίεση αέρα		0,44 - 0,83 Μpa (4,4 - 8,3 bar)	
Συνδετήρας	Τύπος	Καρφί σειράς για πλαστικό (πλήρης στρογγυλή κεφαλή)	Καρφί σειράς για χαρτί (κεφαλή κλιπ)
	Μήκος	50 - 90 mm	50 - 90 mm
	Διάμετρος	2,9 - 4,1 mm	2,9 - 3,3 mm
	Γωνία	21 μοίρες	34 μοίρες
Χωρητικότητα γεμιστήρα		64 - 74 τεμάχια	60 - 84 τεμάχια
Λάδι εργαλείου πεπιεσμένου αέρα		ISO VG32 ή ισοδύναμο	
Διαστάσεις (Μ x Υ x Π)		559 mm x 347 mm x 109 mm	455 mm x 365 mm x 109 mm
Ελάχιστη διάμετρος σωλήνα		8,5 mm	
Καθαρό βάρος		4,0 kg	

- Λόγω του συνεχόμενου προγράμματος που εφαρμόζουμε για έρευνα και ανάπτυξη, τα τεχνικά χαρακτηριστικά στο παρόν έντυπο υπόκεινται σε αλλαγή χωρίς προειδοποίηση.
- Τα τεχνικά χαρακτηριστικά ενδέχεται να διαφέρουν ανάλογα με τη χώρα.

### Σύμβολα

END106-4

Παρακάτω παρουσιάζονται τα σύμβολα που χρησιμοποιούνται για τον εξοπλισμό. Βεβαιωθείτε ότι κατανοείτε τη σημασία τους πριν από τη χρήση.



..... Διαβάστε το εγχειρίδιο οδηγιών.



..... Να φοράτε γυαλιά προστασίας.



..... Να φοράτε προστατευτικά αυτιά.



..... Το εργαλείο έχει την ικανότητα να λειτουργεί σε τρόπο ενεργοποίησης επαφής.



..... Μη χρησιμοποιείτε σε σκαλωσιές ή σκάλες.

### Προοριζόμενη χρήση

ENE059-2

Το εργαλείο προορίζεται για την προκαταρκτική εσωτερική εργασία όπως στερέωμα δοκών πατώματος ή κοινών δοκών στέγης και πλαισίων κατασκευής σπιτιών 2" x 4".

Το εργαλείο προορίζεται μόνο για επαγγελματική εφαρμογή υψηλού όγκου. Μην το χρησιμοποιήσετε για οποιονδήποτε άλλο σκοπό. Δεν έχει σχεδιαστεί για το κάρφωμα συνδετήρων απευθείας σε σκληρές επιφάνειες, όπως ασφάλι και τσιμέντο.

## ΠΡΟΕΙΔΟΠΟΙΗΣΕΙΣ ΑΣΦΑΛΕΙΑΣ ΓΙΑ ΤΟΝ ΚΑΡΦΩΤΗΡΑ/ ΣΥΡΡΑΠΤΙΚΟ ΠΕΠΙΕΣΜΕΝΟΥ ΑΕΡΑ

ENB132-1

**⚠ ΠΡΟΕΙΔΟΠΟΙΗΣΗ: Διαβάστε όλες τις προειδοποιήσεις ασφαλείας και όλες τις οδηγίες.** Η μη τήρηση των προειδοποιήσεων και των οδηγιών μπορεί να οδηγήσει σε σοβαρό τραυματισμό, ηλεκτροπληξία και/ή πυρκαγιά.

## Φυλάξτε όλες τις προειδοποιήσεις και τις οδηγίες για μελλοντική παραπομπή.

Για την προσωπική σας ασφάλεια και για τη σωστή λειτουργία και συντήρηση του εργαλείου, διαβάστε το παρόν εγχειρίδιο οδηγιών προτού χρησιμοποιήσετε το εργαλείο.

### Γενική ασφάλεια

1. Απαγορεύεται οποιαδήποτε άλλη χρήση αυτού του εργαλείου εκτός από την προοριζόμενη. Τα εργαλεία καρφώματος συνδετήρων με συνεχόμενη ενεργοποίηση επαφής ή ενεργοποίηση επαφής θα πρέπει να χρησιμοποιούνται μόνο για εφαρμογές παραγωγής.
2. Κρατήστε τα δάκτυλά σας μακριά από τη σκανδάλη όταν δεν θέτετε αυτό το εργαλείο σε λειτουργία και όταν το μετακινείτε από τη μία θέση λειτουργίας σε άλλη.
3. Πολλαπλοί κίνδυνοι. Διαβάστε και κατανοήστε τις οδηγίες ασφάλειας πριν συνδέσετε, αποσυνδέσετε, φορτώσετε, θέσετε σε λειτουργία, συντηρήσετε, αλλάξετε εξαρτήματα ή εργάζεστε κοντά στο εργαλείο. Αν δεν το κάνετε αυτό, μπορεί να έχει ως αποτέλεσμα σοβαρό σωματικό τραυματισμό.
4. Κρατήστε όλα τα μέρη του σώματός σας, όπως χέρια και πόδια, κτλ. μακριά από την κατευθυνση πυροδότησης και φροντίστε ο συνδετήρας να μην μπορεί να διεισδύσει το τεμάχιο εργασίας σε μέρη του σώματος.
5. Όταν χρησιμοποιείτε το εργαλείο, να γνωρίζετε ότι ο συνδετήρας μπορεί να εκτραπεί και να προκαλέσει τραυματισμό.
6. Κρατήστε το εργαλείο πολύ καλά και προετοιμαστείτε να διαχειριστείτε την ανατύλιξη.
7. Μόνο τεχνικά ειδικευμένοι χειριστές θα πρέπει να χρησιμοποιούν το εργαλείο καρφώματος συνδετήρων.
8. Μην τροποποιείτε το εργαλείο καρφώματος συνδετήρα. Οι τροποποιήσεις μπορεί να μειώσουν την αποτελεσματικότητα των μέτρων ασφαλείας και να αυξήσουν τους κινδύνους για τον χειριστή ή/και τους παρευρισκόμενους.
9. Μην απορρίψετε το εγχειρίδιο οδηγιών.
10. Μην χρησιμοποιήσετε ένα εργαλείο αν το εργαλείο παρουσιάζει ζημιά.
11. Προσέχετε όταν χειρίζεστε συνδετήρες, ιδιαίτερα όταν τους φορτώνετε και εκφορτώνετε, επειδή οι συνδετήρες έχουν αιχμηρές μύτες που μπορούν να προκαλέσουν τραυματισμό.
12. Πριν από τη χρήση, να ελέγχετε πάντα το εργαλείο για στασμένα, λανθασμένα συνδεδεμένα ή φθαρμένα εξαρτήματα.
13. Μην τεντώνετε υπερβολικά. Χρησιμοποιήστε μόνο σε ασφαλή χώρο εργασίας. Κρατάτε πάντα σταθερό πάτημα και την ισορροπία σας.
14. Κρατάτε τους παρευρισκόμενους μακριά (όταν εργάζεστε σε μια περιοχή όπου υπάρχει η πιθανότητα να περνούν άνθρωποι από εκεί). Επίσημάνετε με σαφήνια ότι απαγορεύεται η είσοδος στην περιοχή εργασίας σας.
15. Μη στρέψετε ποτέ το εργαλείο προς το μέρος σας ή προς οποιοδήποτε άλλο άτομο.

16. Μην ακουμπάτε το δάκτυλό σας στη σκανδάλη όταν σηκώνετε το εργαλείο, το μετακινείτε μεταξύ περιοχών ή θέσεων λειτουργίας ή όταν περπατάτε, επειδή ένα δάκτυλο που ακουμπάει στη σκανδάλη μπορεί να οδηγήσει σε αθέλητη λειτουργία. Για εργαλεία με επιλεκτική ενεργοποίηση, να ελέγχετε πάντα το εργαλείο πριν από τη χρήση, για να σιγουρευτείτε ότι επιλέχθηκε ο σωστός τρόπος λειτουργίας.
17. Να φοράτε μόνο γάντια που παρέχουν επαρκή αίσθηση, ασφάλεια και έλεγχο της σκανδάλης και οποιονδήποτε ρυθμιστικών διατάξεων.
18. Όταν δεν χρησιμοποιείτε το εργαλείο, τοποθετήστε το σε μια επίπεδη επιφάνεια. Αν χρησιμοποιήσετε το γάντζο που υπάρχει στο εργαλείο, να γαντζώστε το εργαλείο με ασφάλεια σε μια σταθερή επιφάνεια.
19. Μην το χρησιμοποιείτε όταν βρίσκεστε υπό την επήρεια αλκοόλ, φαρμάκων ή παρόμοιων ουσιών.

### Κίνδυνοι εκτόξευσης

1. Το εργαλείο καρφώματος συνδετήρων θα πρέπει να είναι αποσυνδεδεμένο κατά την εκφόρτωση συνδετήρων, την πραγματοποίηση ρυθμίσεων, την εκκαθάριση εμπλοκών ή την αλλαγή εξαρτημάτων.
2. Κατά τη διάρκεια της λειτουργίας, να προσέχετε ώστε οι συνδετήρες να διεισδύουν το υλικό σωστά και να μην μπορούν να εκτραπούν/ πυροδοτηθούν λανθασμένα προς το χειριστή ή/ και τους παρευρισκόμενους.
3. Κατά τη διάρκεια της λειτουργίας, μπορεί να εκκωνθούν θραύσματα από το τεμάχιο εργασίας και το σύστημα καρφώματος/συρραφής.
4. Να φοράτε πάντα προστατευτικά γυαλιά για να προστατεύετε τα μάτια σας από τραυματισμό όταν χρησιμοποιείτε ηλεκτρικά εργαλεία. Τα προστατευτικά γυαλιά πρέπει να συμμορφώνονται με το πρότυπο ANSI Z87.1 στις ΗΠΑ, το πρότυπο EN 166 στην Ευρώπη ή το πρότυπο AS/NZS 1336 στην Αυστραλία/Νέα Ζηλανδία. Στην Αυστραλία/Νέα Ζηλανδία, απαιτείται από το νόμο να φοράτε και προσωπικά για την προστασία του προσώπου σας. (Εικ. 1) Ο εργοδότης έχει την ευθύνη να επιβάλλει τη χρήση κατάλληλου προστατευτικού εξοπλισμού ασφαλείας από τους χειριστές του εργαλείου και από άλλα άτομα που βρίσκονται στην άμεση περιοχή εργασίας.
5. Ο χειριστής θα πρέπει να αξιολογήσει τους κινδύνους για άλλους.
6. Προσέχετε με εργαλεία που δεν έχουν επαφή με το τεμάχιο εργασίας επειδή μπορεί να πυροδοτηθούν κατά λάθος και να τραυματίσουν τον χειριστή ή/και τους παρευρισκόμενους.
7. Βεβαιωθείτε ότι το εργαλείο είναι πάντα δεσμευμένο με ασφάλεια στο τεμάχιο εργασίας και δεν μπορεί να γλιστρήσει.
8. Φοράτε προστατευτικά ακοής για να προστατεύετε τα αυτιά σας από το θόρυβο του αέρα εξαγωγής, καθώς και προστατευτικό κεφαλής. Φοράτε επίσης ελαφριά, αλλά όχι φαρδιά ρούχα. Τα μανίκια θα πρέπει να είναι κουμπωμένα ή γυρισμένα προς τα πάνω. Μην φοράτε γραβάτα.

## Κίνδυνοι λειτουργίας

1. Κρατήστε το εργαλείο σωστά: ετοιμαστείτε να αντιδράσετε στις φυσιολογικές ή αιφνίδιες κινήσεις όπως η ανατύλιξη.
2. Διατηρήστε μια ισορροπημένη θέση σώματος και ασφαλές πάτημα.
3. Θα πρέπει να χρησιμοποιείτε κατάλληλα γυαλιά ασφαλείας και συνιστώνται κατάλληλα γάντια και προστατευτικός ρουχισμός.
4. Θα πρέπει να φοράτε κατάλληλη προστασία της ακοής.
5. Να χρησιμοποιείτε τη σωστή ενεργειακή παροχή, όπως υποδεικνύεται στο εγχειρίδιο οδηγιών.
6. Μη χρησιμοποιήσετε το εργαλείο σε κινούμενες πλατφόρμες ή το πίσω μέρος φορητών. Με την αιφνίδια κίνηση της πλατφόρμας, μπορεί να χαθεί ο έλεγχος του εργαλείου και να προκληθεί τραυματισμός.
7. Να θεωρείτε πάντοτε ότι το εργαλείο περιέχει συνδετήρες.
8. Μην εκτελείτε βιαστικά την εργασία και μην πιέζετε υπερβολικά το εργαλείο. Χειρίζετε το εργαλείο προσεκτικά.
9. Κατά το χειρισμό του εργαλείου, προσέχετε πού πατάτε και φροντίστε να διατηρείτε την ισορροπία σας. Βεβαιωθείτε ότι δεν βρίσκεται κανένας από κάτω όταν εργάζεστε σε ύψος και ασφαλίστε τον εύκαμπτο σωλήνα αέρα για να προφυλαχτείτε από τον κίνδυνο σε περίπτωση που ο σωλήνας πιναχτεί απότομα ή πιαστεί από κάπου.
10. Σε στέγες και άλλες τοποθεσίες σε ύψος, βιδώνετε τους συνδετήρες καθώς μετακινείστε προς τα εμπρός. Είναι εύκολο να παραπητήσετε αν βιδώνετε τους συνδετήρες κάνοντας μικρά βήματα προς τα πίσω. Κατά το βίδωμα συνδετήρων σε κατακόρυφη επιφάνεια, εργάζεστε από πάνω προς τα κάτω. Με αυτόν τον τρόπο, το βίδωμα γίνεται λιγότερο κουραστικό.
11. Αν βιδώσετε κατά λάθος έναν συνδετήρα πάνω σε έναν άλλο ή αν χτυπήσετε κάποιο ρόζο στο ξύλο, ο συνδετήρας μπορεί να στραβώσει ή το εργαλείο να πάθει εμπλοκή. Ο συνδετήρας μπορεί να πιναχτεί και να χτυπήσει κάποιον ή το ίδιο το εργαλείο να αντιδράσει επικίνδυνα. Τοποθετείτε τους συνδετήρες με προσοχή.
12. Μην αφήνετε το γεμάτο εργαλείο ή το συμπιεστή αέρα υπό πίεση για μεγάλο χρονικό διάστημα έξω στον ήλιο. Βεβαιωθείτε ότι δεν θα εισέλθει σκόνη, άμμος, θραύσματα και ξένα σώματα στο εργαλείο στο μέρος όπου το αφήνετε.
13. Μην επιχειρείτε ποτέ να βιδώσετε συνδετήρες από μέσα και από έξω ταυτόχρονα. Οι συνδετήρες μπορεί να σχίσουν το εσωτερικό και/ή να πεταχτούν προς τα έξω και να διατρέξετε σοβαρό κίνδυνο.

## Κίνδυνοι επαναληφόμενων κινήσεων

1. Κατά τη χρήση ενός εργαλείου για μεγάλη χρονική περίοδο, ένας χειριστής μπορεί να βιώσει δυσφορία στα χέρια, τους βραχίονες, τους ώμους, τον αυχένα και άλλα μέρη του σώματός του.
2. Ενώ χρησιμοποιεί ένα εργαλείο, ο χειριστής θα πρέπει να υιοθετήσει μια κατάλληλη και εργονομική στάση. Διατηρήστε ασφαλές πάτημα και αποφύγετε τις αδέξιες και ανισόρροπες στάσεις.

3. Αν ο χειριστής βιώσει συμπτώματα όπως επίμονη και επαναλαμβανόμενη δυσφορία, πόνο, κτύπο, άλγος, μυρμήγκιασμα, μούδιασμα, αίσθηση καύσου ή ακαμψία, δεν πρέπει να αγνοήσει αυτά τα συμπτώματα ή σημάδια. Ο χειριστής πρέπει να προσηλωθεί έναν αρμόδιο επαγγελματία στο χώρο της υγείας, για τις συνολικές δραστηριότητές του.
4. Η συνεχόμενη χρήση του εργαλείου μπορεί να προκαλέσει κακώσεις λόγω επαναλαμβανόμενης καταπόνησης που οφείλονται στην ανατύλιξη που παράγει το εργαλείο.
5. Για να αποφευχθεί ο τραυματισμός λόγω επαναλαμβανόμενης καταπόνησης, ο χειριστής δεν πρέπει να τεντώνει υπερβολικά ή να χρησιμοποιεί υπερβολική δύναμη. Επιπλέον, ο χειριστής θα πρέπει να ξεκουράζεται όταν νιώθει κουρασμένος.
6. Διεξαγάγετε αξιολόγηση κινδύνου σχετικά με τους κινδύνους της επαναλαμβανόμενης κίνησης. Θα πρέπει να επικεντρωθεί σε μυοσκελετικές διαταραχές και, κατά προτίμηση, να βασίζεται στην υπόθεση ότι η μείωση κόπωσης κατά τη διάρκεια της εργασίας είναι αποτελεσματική στη μείωση των διαταραχών.

## Κίνδυνοι με τα εξαρτήματα και αναλώσιμα

1. Αποσυνδέστε την ενεργειακή παροχή προς το εργαλείο, όπως αέρα ή αέριο ή μπαταρία, όπως εφαρμόζεται, πριν αλλάξετε/αντικαταστήσετε εξάρματα όπως την επαφή τεμαχίου εργασίας ή πραγματοποιήστε οποιαδήποτε ρύθμιση.
2. Να χρησιμοποιείτε μόνο τα μεγέθη και τύπους των εξαρτημάτων που παρέχονται από τον κατασκευαστή.
3. Να χρησιμοποιείτε μόνο λιπαντικά που συνιστώνται σε αυτό το εγχειρίδιο.

## Κίνδυνοι στο χώρο εργασίας

1. Το γύστιρμα, το σκόνταμμα και οι πτώσεις είναι οι κύριες αιτίες για τραυματισμό στο χώρο εργασίας. Προσέχετε για ολισθηρές επιφάνειες που δημιουργούνται από τη χρήση του εργαλείου και επίσης για κινδύνους ολίσθησης που προκαλούνται από τον εύκαμπτο σωλήνα της γραμμής αέρα.
2. Σε άγνωστο περιβάλλον, να προχωράτε με περισσότερο προσοχή. Μπορεί να υπάρχουν κρυφές ηλεκτρικές γραμμές ή γραμμές άλλων παροχών.
3. Αυτό το εργαλείο δεν προορίζεται για χρήση σε δυνητικές εκρηκτικές ατμόσφαιρες και δεν είναι μονωμένο για την περίπτωση επαφής με ηλεκτρικό ρεύμα.
4. Βεβαιωθείτε ότι δεν υπάρχουν ηλεκτρικά καλώδια, σωλήνες αερίου, κτλ. που θα μπορούσαν να προκαλέσουν κίνδυνο στην περίπτωση που υποστούν ζημιά από τη χρήση του εργαλείου.
5. Διατηρείτε την περιοχή εργασίας καθαρή και επαρκώς φωτισμένη. Οι ακατάστατοι ή σκοτεινοί χώροι προσεγκύουν τα ατυχήματα.
6. Πιθανώς να υφίστανται τοπικοί κανονισμοί αναφορικά με το θόρυβο, με τους οποίους και θα πρέπει να συμμορφώνεστε διατηρώντας τη στάθμη θορύβου εντός των προδιαγεγραμμένων

ορίων. Σε ορισμένες περιπτώσεις, θα πρέπει να χρησιμοποιούνται πετάσματα για τον περιορισμό του θορύβου.

#### Κίνδυνοι σκόνης και εξάτμισης

1. Να ελέγχετε πάντα το περιβάλλον σας. Ο αέρας που εξέρχεται από το εργαλείο μπορεί να φυσήσει σκόνη ή αντικείμενα και να χτυπήσουν τον χειριστή ή/και τους παρευρισκόμενους.
2. Κατευθύνετε την εξάτμιση με τρόπο ώστε να ελαχιστοποιηθεί η διατάραξη της σκόνης σε ένα περιβάλλον με πολλή σκόνη.
3. Αν εκλύεται σκόνη ή αντικείμενα στην περιοχή εργασίας, μειώστε την εκπομπή όσο το δυνατό περισσότερο, για να μειωθούν οι κίνδυνοι υγείας καθώς και ο κίνδυνος τραυματισμού.

#### Κίνδυνοι θορύβου

1. Η απροστάτευτη έκθεση σε υψηλά επίπεδα θορύβου μπορεί να προκαλέσει μόνιμη απώλεια ακοής και άλλα προβλήματα όπως εμβοή (κουδούνισμα, βούισμα, σφύριγμα ή φύσημα στα αυτιά).
2. Διεξαγάγετε αξιολόγηση κινδύνων σχετικά με τους κινδύνους θορύβου στην περιοχή εργασίας και υλοποιήστε τους κατάλληλους ελέγχους για αυτούς τους κινδύνους.
3. Οι κατάλληλοι έλεγχοι για τη μείωση του κινδύνου μπορεί να περιλαμβάνουν ενέργειες όπως την απόσβεση υλικών ώστε να αποτραπεί το “κουδούνισμα” των τεμαχίων εργασίας.
4. Να χρησιμοποιείτε κατάλληλη προστασία ακοής.
5. Χρησιμοποιήστε και συντηρήστε το εργαλείο όπως συνιστάται στις παρούσες οδηγίες, για να αποτραπεί η περιττή αύξηση των επιπέδων θορύβου.
6. Λάβετε μέτρα για τη μείωση του θορύβου, για παράδειγμα την τοποθέτηση των τεμαχίων εργασίας σε στηρίγματα απόσβεσης θορύβων.

#### Κίνδυνοι δόνησης

1. Η εκπομπή δόνησεων κατά τη λειτουργία εξαρτάται από τη δύναμη κρατήματος, την πίεση επαφής, την κατεύθυνση εργασίας, τη ρύθμιση της ενεργειακής παροχής, το τεμάχιο εργασίας και τη στήριξη του τεμαχίου εργασίας. Διεξαγάγετε αξιολόγηση κινδύνων σχετικά με τους κινδύνους δόνησεων και υλοποιήστε τους κατάλληλους ελέγχους για αυτούς τους κινδύνους.
2. Η έκθεση στη δόνηση μπορεί να προκαλέσει ζημιά στα νεύρα και τη παροχή αίματος στα χέρια και βραχίονες.
3. Να φοράτε ζεστά ρούχα όταν εργάζεστε σε κρύες συνθήκες, να διατηρείτε τα χέρια σας ζεστά και στεγνά.
4. Αν βιώσετε μούδιασμα, μυρμηγκιασμο, πόνο ή λεύκανση στο δέρμα των δακτύλων ή των χεριών σας, αναζητήστε ιατρική συμβουλή από αρμόδιο επαγγελματία στο χώρο της υγείας, αναφορικά με τις συνολικές δραστηριότητες.
5. Χρησιμοποιήστε και συντηρήστε το εργαλείο όπως συνιστάται στις παρούσες οδηγίες, για να αποτραπεί η περιττή αύξηση των επιπέδων δόνησης.
6. Να κρατάτε το εργαλείο ελαφρά, αλλά με ασφάλεια, επειδή ο κίνδυνος από τη δόνηση είναι

γενικά μεγαλύτερος όταν η δύναμη κρατήματος είναι υψηλότερη.

#### Πρόσθετες προειδοποιήσεις για πνευματικά εργαλεία

1. Ο πεπιεσμένος αέρας μπορεί να προκαλέσει σοβαρό τραυματισμό.
2. Να διακόψετε πάντα την παροχή αέρα και να αποσυνδέετε το εργαλείο από την παροχή αέρα όταν δεν χρησιμοποιείται.
3. Να αποσυνδέετε πάντα το εργαλείο από την παροχή πεπιεσμένου αέρα πριν αλλάζετε εξαρτήματα, πραγματοποιείτε ρυθμίσεις ή/και επισκευές, όταν μετακινείτε από μια περιοχή λειτουργίας σε διαφορετική περιοχή.
4. Κρατήστε τα δάκτυλά σας μακριά από τη σκανδάλη όταν δεν θέτετε το εργαλείο σε λειτουργία και όταν το μετακινείτε από τη μία θέση λειτουργίας σε άλλη.
5. Μην στρέφετε ποτέ τον πεπιεσμένο αέρα προς το μέρος σας ή προς οποιοδήποτε άλλο άτομο.
6. Οι εύκαμπτοι σωλήνες που βρίσκονται εκτός ελέγχου μπορούν να προκαλέσει σοβαρό τραυματισμό. Να ελέγχετε πάντα για κατεστραμμένους ή χαλαρούς εύκαμπτους σωλήνες ή ενώσεις.
7. Μην κρατάτε ποτέ ένα πνευματικό εργαλείο από τον εύκαμπτο σωλήνα.
8. Μην σύρετε ποτέ ένα πνευματικό εργαλείο από τον εύκαμπτο σωλήνα.
9. Όταν χρησιμοποιείτε πνευματικά εργαλεία, μην ξεπερνάτε τη μέγιστη πίεση λειτουργίας (ps max).
10. Τα πνευματικά εργαλεία θα πρέπει να τροφοδοτούνται μόνο με πεπιεσμένο αέρα στη χαμηλότερη πίεση που απαιτείται για την εργασία, προκειμένου να μειωθεί ο θόρυβος και η δόνηση και να ελαχιστοποιηθεί η φθορά.
11. Η χρήση οξυγόνου ή καύσιμων αερίων για τη λειτουργία πνευματικών εργαλείων δημιουργεί κίνδυνο πυρκαγιάς και έκρηξης.
12. Προσέχετε όταν χρησιμοποιείτε πνευματικά εργαλεία επειδή το εργαλείο μπορεί να γίνει κρύο, επηρεάζοντας το κράτημα και τον έλεγχο.

Πρόσθετες προειδοποιήσεις για εργαλεία με δυνατότητα ενεργοποίησης επαφής



1. Μην ακουμπάτε το δάκτυλό σας στη σκανδάλη όταν σηκώνετε το εργαλείο, το μετακινείτε μεταξύ περιοχών ή θέσεων λειτουργίας ή όταν περπατάτε, επειδή ένα δάκτυλο που ακουμπάει στη σκανδάλη μπορεί να οδηγήσει σε αθλήτη λειτουργία. Για εργαλεία με επιλεκτική ενεργοποίηση, να ελέγχετε πάντα το εργαλείο πριν από τη χρήση, για να σιγουρευτείτε ότι επιλέχτηκε ο σωστός τρόπος λειτουργίας.
2. Αυτό το εργαλείο έχει είτε επιλεκτική ενεργοποίηση για ενεργοποίηση επαφής ή συνεχόμενη ενεργοποίηση επαφής με επιλογείς τρόπο ενεργοποίησης ή είναι ένα εργαλείο με ενεργοποίηση επαφής ή συνεχόμενη ενεργοποίηση επαφής και έχει επισημανθεί με το

ανωτέρω σύμβολο. Οι προοριζόμενες χρήσεις του είναι οι εφαρμογές παραγωγής, όπως παλέτες, έπιπλα, προκατασκευασμένα σπίτια, επενδύσεις και περιβλήματα.

3. Αν χρησιμοποιείτε αυτό το εργαλείο σε τρόπο επιλεκτικής ενεργοποίησης, να βεβαιώνετε πάντα ότι βρίσκεται στη σωστή ρύθμιση ενεργοποίησης.
4. Μη χρησιμοποιείτε αυτό το εργαλείο σε ενεργοποίηση επαφής για εφαρμογές όπως το κλείσιμο κουτιών ή κιβωτίων και τη στερέωση συστημάτων ασφαλούς μεταφοράς σε τρέιλερ ή φορτηγά.
5. Προσέχετε όταν αλλάζετε από τη μία τοποθεσία καρφώματος στην άλλη.

#### Συσκευές ασφαλείας

1. Βεβαιωθείτε ότι όλα τα συστήματα ασφαλείας είναι σε κατάσταση λειτουργίας πριν από τη χρήση. Αν τραβήξετε μόνο τη σκανδάλη διακόπτη ή αν πιέσετε μόνο το βραχίονα επαφής πάνω στο ξύλο, το εργαλείο δεν θα πρέπει να λειτουργήσει. Πρέπει να λειτουργεί μόνο όταν εκτελείτε και τις δύο ενέργειες. Ελέγχετε για τυχόν ελαττωματική λειτουργία με το εργαλείο χωρίς συνδεδητές και τον προωθητή τελείως τραβηγμένο.
2. Είναι πολύ επικίνδυνο να ασφαλίσετε τη σκανδάλη στην ανοικτή θέση (ON). Ποτέ μην επιχειρήσετε να ασφαλίσετε τη σκανδάλη.
3. Μην επιχειρείτε να κρατήσετε το στοιχείο επαφής πατημένο με κολλητική ταινία ή σύρμα. Μπορεί να προκληθεί θάνατος ή σοβαρός τραυματισμός.
4. Ελέγχετε πάντοτε το στοιχείο επαφής σύμφωνα με τις οδηγίες του παρόντος εγχειριδίου. Αν ο μηχανισμός ασφαλείας δεν λειτουργεί σωστά, μπορεί να πραγματοποιηθεί κατά λάθος βίδωμα των συνδετήρων.

#### Σέρβις

1. Εκτελείτε καθαρισμό και συντήρηση αμέσως μετά το τέλος της εργασίας. Διατηρείτε το εργαλείο σε άριστη κατάσταση. Λιπαίνετε τα κινούμενα εξαρτήματα για να αποφύγετε τη σκουριά και να ελαχιστοποιήσετε τη φθορά από την τριβή. Σκουπίζετε όλη τη σκόνη από τα εξαρτήματα.
2. Απευθυνθείτε στο εξουσιοδοτημένο κέντρο σέρβις της Makita για την περιοδική επιθεώρηση του εργαλείου.
3. Για να διατηρήσετε την ΑΣΦΑΛΕΙΑ και την ΑΞΙΟΠΙΣΤΙΑ του εργαλείου, η συντήρηση και οι επισκευές πρέπει να διενεργούνται από τα Εξουσιοδοτημένα Κέντρα Σέρβις της Makita, χρησιμοποιώντας πάντα ανταλλακτικά της Makita.
4. Τηρήστε τους τοπικούς κανονισμούς κατά τη διάθεση του εργαλείου.

## ΦΥΛΑΞΕΤΕ ΑΥΤΕΣ ΤΙΣ ΟΔΗΓΙΕΣ.

#### ⚠ ΠΡΟΕΙΔΟΠΟΙΗΣΗ:

ΜΗΝ επιτρέψετε στην άνεση ή στην εξοικείωσή σας με το προϊόν (που αποκτήθηκε από επανειλημμένη χρήση) να αντικαταστήσει την αυστηρή τήρηση των κανόνων ασφαλείας του παρόντος εργαλείου. Η ΛΑΝΘΑΣΜΕΝΗ ΧΡΗΣΗ ή η αμέλεια να ακολουθήσετε τους κανόνες ασφαλείας που διατυπώνονται στο

παρόν εγχειρίδιο οδηγιών μπορεί να προκαλέσει σοβαρό προσωπικό τραυματισμό.

## ΠΕΡΙΓΡΑΦΗ ΕΞΑΡΤΗΜΑΤΩΝ (Εικ. 2)

### ΤΟΠΟΘΕΤΗΣΗ

#### Επιλογή συμπιεστή (Εικ. 3)

Ο συμπιεστής αέρα θα πρέπει να είναι εναρμονισμένος με τις απαιτήσεις της EN60335-2-34.

- Επιλέξτε συμπιεστή που διαθέτει επαρκή πίεση και έξοδο αέρα ώστε να εξασφαλίζεται η οικονομική λειτουργία. Η γραφική παράσταση απεικονίζει τη σχέση μεταξύ της συχνότητας καρφώματος, της ασκουμένης πίεσης και της εξόδου αέρα του συμπιεστή. Συνεπώς, για παράδειγμα, αν το κάρφωμα λαμβάνει χώρα με ρυθμό περίπου 40 φορές το λεπτό με συμπίεση 0,59 MPa (5,9 bar), απαιτείται συμπιεστής με έξοδο αέρα υψηλότερη των 3 κυβικών ποδιών το λεπτό (ft<sup>3</sup>/λεπτό). Πρέπει να χρησιμοποιούνται ρυθμιστές πίεσης για να περιορίζουν την πίεση αέρα στην ονομαστική πίεση του εργαλείου σε περίπτωση που η πίεση παροχής αέρα υπερβαίνει την ονομαστική πίεση του εργαλείου. Αν δεν τηρηθεί αυτή η οδηγία, μπορεί να προκληθεί σοβαρός τραυματισμός στον χειριστή του εργαλείου ή σε άτομα που βρίσκονται κοντά στην περιοχή εργασίας.

#### Επιλογή εύκαμπτων σωλήνων αέρα (Εικ. 4)

- Χρησιμοποιήστε ένα εύκαμπο σωλήνα αέρα με όσο το δυνατόν πιο μεγάλη διάμετρο και όσο το δυνατόν πιο κοντό για να εξασφαλιστεί η συνεχή, επαρκή λειτουργία του καρφώματος. Με πίεση αέρα 0,49 MPa (4,9 bar), συνιστάται εύκαμπτος σωλήνας αέρα με εσωτερική διάμετρο μεγαλύτερη από 8,5 χιλιοστά (5/16 ίντσες) και με μήκος μικρότερο από 20 μέτρα (6,6 πόδια) όταν το χρονικό διάστημα μεταξύ κάθε καρφώματος είναι 0,5 δευτερόλεπτο. Οι εύκαμπτοι σωλήνες αέρα θα πρέπει να έχουν ελάχιστη ονομαστική πίεση εργασίας 1,03 MPa (10,3 bar) ή 150 τοις εκατό της μέγιστης πίεσης που παράγει το σύστημα, όποια τιμή είναι υψηλότερη.

#### ΠΡΟΣΟΧΗ:

- Η χαμηλή έξοδος αέρα του συμπιεστή ή ο εύκαμπτος σωλήνας αέρα με μεγαλύτερο μήκος ή μικρότερη διάμετρο σε σχέση με τη συχνότητα καρφώματος μπορεί να προκαλέσει μείωση της ικανότητας καρφώματος του εργαλείου.

#### Λίπανση (Εικ. 5)

Για να εξασφαλίζετε τη μέγιστη απόδοση, τοποθετήστε ένα σετ αέρα (λιπαντήρας, ρυθμιστής, φίλτρο αέρα) όσο το δυνατόν πιο κοντά στο εργαλείο. Ρυθμίστε το λιπαντήρα έτσι ώστε να παρέχει μία σταγόνα λαδιού κάθε 30 καρφιά.

Όταν δεν χρησιμοποιείται σετ αέρα, να λιπαίνετε το εργαλείο με λάδι για εργαλεία πεπιεσμένου αέρα τοποθετώντας 2 (δύο) ή 3 (τρεις) σταγόνες στο προσάρτημα αέρα. Αυτό πρέπει να πραγματοποιείται πριν και μετά από τη χρήση. Για τη σωστή λίπανση, πρέπει να εκτυρσοκορείτε το εργαλείο δύο-τρεις φορές



μετά από την εισαγωγή του λαδιού για εργασία πεπιεσμένου αέρα. (Εικ. 6)

## ΠΕΡΙΓΡΑΦΗ ΛΕΙΤΟΥΡΓΙΑΣ

### ΠΡΟΣΟΧΗ:

- Να κλειδώνετε πάντοτε τη σκανδάλη και να αποσυνδέετε τον εύκαμπτο σωλήνα πριν ρυθμίσετε ή ελέγχετε τη λειτουργία του εργαλείου.

### Προσαρμογέας μύτης (Εξάρτημα)

#### ΠΡΟΣΟΧΗ:

- Να κλειδώνετε πάντα τη σκανδάλη και να αποσυνδέετε το σωλήνα πριν να εγκαταστήσετε ή να αφαιρέσετε τον προσαρμογέα μύτης.

Όταν καρφώνετε κομμάτια εργασίας με επιφάνειες που παραμορφώνονται εύκολα, χρησιμοποιήστε τον προσαρμογέα μύτης.

Συνδέστε τον προσαρμογέα μύτης στο βραχίονα επαφής. (Εικ. 7)

### Ρύθμιση του βάθους καρφώματος (Εικ. 8)

Για να ρυθμίσετε το βάθος καρφώματος, περιστρέψτε το ρυθμιστή. Το βάθος καρφώματος είναι το μέγιστο όταν ο ρυθμιστής έχει περιστραφεί εντελώς προς την κατεύθυνση Α που απεικονίζεται στην εικόνα. Θα γίνεται μικρότερο καθώς περιστρέφετε το ρυθμιστή στην κατεύθυνση Β. Αν δεν είναι δυνατό να καρφωθούν τα καρφιά αρκετά βαθιά ακόμη και όταν ο ρυθμιστής έχει περιστραφεί εντελώς προς την κατεύθυνση Α, αυξήστε την πίεση αέρα. Αν τα καρφιά καρφώνονται πολύ βαθιά ακόμη και όταν ο ρυθμιστής έχει περιστραφεί εντελώς προς την κατεύθυνση Β, μειώστε την πίεση αέρα. Γενικά, η ωφέλιμη ζωή του εργαλείου θα είναι μεγαλύτερη όταν χρησιμοποιείτε το εργαλείο με χαμηλότερη πίεση αέρα και καθορίζετε το ρυθμιστή σε μικρότερο βάθος καρφώματος.

#### ΠΡΟΣΟΧΗ:

- Να κλειδώνετε πάντοτε τη σκανδάλη και να αποσυνδέετε τον εύκαμπτο σωλήνα πριν ρυθμίσετε το βάθος καρφώματος.

### Τοποθέτηση του γάντζου (Εικ. 9)

#### ΠΡΟΣΟΧΗ:

- Να κλειδώνετε πάντοτε τη σκανδάλη και να αποσυνδέετε τον εύκαμπτο σωλήνα από το εργαλείο.
- Μην κρεμάτε ποτέ το εργαλείο σε υψηλές τοποθεσίες ή σε πιθανώς ασταθείς επιφάνειες.

Ο γάντζος χρησιμεύει για το προσωρινό κρέμασμα του εργαλείου.

Για να χρησιμοποιήσετε το γάντζο, απλά σηκώστε τον έως ότου ασφαλίσει στην ανοιχτή θέση.

Όταν δεν χρησιμοποιείτε το γάντζο, να τον χαμηλώνετε πάντοτε έως ότου ασφαλίσει στην κλειστή θέση.

## ΣΥΝΑΡΜΟΛΟΓΗΣΗ

#### ΠΡΟΣΟΧΗ:

- Να κλειδώνετε πάντοτε τη σκανδάλη και να αποσυνδέετε τον εύκαμπτο σωλήνα πριν πραγματοποιήσετε οποιαδήποτε εργασία στο εργαλείο.

## Φόρτωση του καρφωτικού εργαλείου

### (Εικ. 10)

Επιλέξτε καρφιά που είναι κατάλληλα για την εργασία σας. Τοποθετήστε τη σειρά καρφιών στο γεμιστήρα. (Εικ. 11) Φορτώστε τα καρφιά έτσι ώστε να είναι παράλληλα στον κινητήριο οδηγό. (Εικ. 12) Τραβήξτε το μοχλό ωστήρα προς τα πίσω για να δεσμεύσετε τον ωστήρα στο τελευταίο καρφί.

### Εκφόρτωση του καρφωτικού πιστολιού

#### (Εικ. 13)

Τραβήξτε το μοχλό ωστήρα προς τα πίσω. Επιστρέψτε το μοχλό ωστήρα στη θέση του ενώ κρατάτε πιεσμένο τον ωστήρα για να τον αποδεσμεύσετε από τη σειρά καρφιών. Πιέστε το σποτ καρφιών και βγάλτε τη σειρά καρφιών από το γεμιστήρα. (Εικ. 14)

### Σύνδεση του εύκαμπτου σωλήνα αέρα

#### (Εικ. 15)

Κλειδώστε τη σκανδάλη. Σύρτε την υποδοχή αέρα του εύκαμπτου σωλήνα αέρα στο προσάρτημα αέρα στο καρφωτικό πιστόλι. Βεβαιωθείτε ότι η υποδοχή αέρα κλειδώνει σταθερά στη θέση της όταν την τοποθετείτε στο προσάρτημα αέρα. Πρέπει να τοποθετηθεί σύζευξη εύκαμπτων σωλήνων επάνω ή κοντά στο εργαλείο με τρόπο ώστε να εκτονώνεται το δοχείο πίεσης τη στιγμή που αποσυνδεθεί η σύζευξη παροχής αέρα.

## ΛΕΙΤΟΥΡΓΙΑ

#### ΠΡΟΣΟΧΗ:

- Να βεβαιώνετε ότι όλα τα συστήματα ασφαλείας βρίσκονται σε καλή κατάσταση πριν από τη λειτουργία.

### Επιλογή του τρόπου λειτουργίας

#### ΠΡΟΣΟΧΗ:

- Όταν δεν χρησιμοποιείται, να θέτετε πάντα το μοχλό αλλαγής στη θέση κλειδώματος σκανδάλης.
- Να βεβαιώνετε πάντα ότι ο μοχλός αλλαγής είναι σωστά ρυθμισμένος στη θέση για τον επιθυμητό τρόπο καρφώματος πριν το κάρφωμα.

Το εργαλείο αυτό είναι εξοπλισμένο με μοχλό αλλαγής. Με αυτό, μπορείτε να επιλέξετε είτε τον τρόπο μοναδικής ακολουθιακής ενεργοποίησης είτε τον τρόπο ενεργοποίησης επαφής. Επίσης, μπορείτε να κλειδώσετε τον σκανδάλη αν τον θέσετε στη θέση κλειδώματος σκανδάλης. (Εικ. 16)

#### Τρόπος μοναδικής ακολουθιακής ενεργοποίησης:

Μπορείτε να καρφώσετε ένα καρφί με μία ακολουθιακή λειτουργία. Επιλέξτε αυτόν τον τρόπο λειτουργίας όταν καρφώνετε ένα καρφί με προσοχή και μεγάλη ακρίβεια. Για να επιλέξετε αυτόν τον τρόπο λειτουργίας, ρυθμίστε τον μοχλό αλλαγής στη θέση **➡**.

#### Τρόπος ενεργοποίησης επαφής:

Μπορείτε να καρφώνετε καρφιά επανειλημμένα αν τοποθετείτε το στοιχείο επαφής με τραβηγμένη τη σκανδάλη παρατεταμένα. Για να επιλέξετε αυτόν τον τρόπο λειτουργίας, ρυθμίστε τον μοχλό αλλαγής στη θέση **➡**.

## Ελέγξτε τη σωστή δράση πριν τη λειτουργία

Πριν τη λειτουργία, να ελέγχετε πάντα τα ακόλουθα σημεία.

- Βεβαιωθείτε ότι το εργαλείο δεν λειτουργεί μόνο με τη σύνδεση του εύκαμπτου σωλήνα αέρα.
- Βεβαιωθείτε ότι το εργαλείο δεν λειτουργεί μόνο με το τράβηγμα της σκανδάλης.
- Βεβαιωθείτε ότι το εργαλείο δεν λειτουργεί μόνο με την τοποθέτηση του στοιχείου επαφής επάνω στο τεμάχιο εργασίας χωρίς το τράβηγμα της σκανδάλης.
- Σε λειτουργία μοναδικής ακολουθιακής ενεργοποίησης, βεβαιωθείτε ότι το εργαλείο δεν λειτουργεί όταν τραβάτε πρώτα τη σκανδάλη και μετά τοποθετείτε το στοιχείο επαφής επάνω στο τεμάχιο εργασίας.

## Μοναδική ακολουθιακή ενεργοποίηση

Βάλετε το στοιχείο επαφής πάνω στο τεμάχιο εργασίας και να τραβήξετε πλήρως τη σκανδάλη.

Μετά το κάρφωμα, αφήστε το στοιχείο επαφής και μετά αφήστε τη σκανδάλη. (Εικ. 17)

### ΠΡΟΣΟΧΗ:

- Μην τοποθετείτε το στοιχείο επαφής επάνω στο τεμάχιο εργασίας με υπερβολική δύναμη. Επίσης, τραβήξτε τη σκανδάλη πλήρως και κρατήστε τη για 1-2 δευτερόλεπτα μετά από το κάρφωμα. Ακόμη και στον τρόπο “μοναδικής ακολουθιακής ενεργοποίησης”, αν η σκανδάλη τραβηχτεί μέχρι τη μέση, μπορεί να προκληθεί τυχαίο κάρφωμα όταν το στοιχείο επαφής έρθει ξανά σε επαφή με το τεμάχιο εργασίας.

## Ενεργοποίηση επαφής



Να τραβάτε πρώτα τη σκανδάλη και κατόπιν να τοποθετείτε το στοιχείο επαφής επάνω στο τεμάχιο εργασίας. (Εικ. 18)

## Μηχανισμός προστασίας από το κάρφωμα χωρίς καρφιά

Το εργαλείο αυτό είναι εξοπλισμένο με μηχανισμό προστασίας από το κάρφωμα χωρίς καρφιά. Όταν υπάρχουν λίγα καρφιά στο γεμιστήρα, ο βραχιόνιος επαφής θα κλειδωθεί στη θέση που δεν επιτρέπει το πάτημά του για να αποφευχθεί η ενεργοποίηση του εργαλείου. Φορτώστε περισσότερα καρφιά για να επαναφέρετε τη λειτουργία.

## Εμπλοκή του καρφωτικού πιστολιού (Εικ. 19)

### ΠΡΟΣΟΧΗ:

- Να κλειδώνετε πάντα τη σκανδάλη, να αποσυνδέετε τον εύκαμπτο σωλήνα αέρα και να αφαιρείτε όλα τα καρφιά από το γεμιστήρα πριν από την αποκατάσταση μιας εμπλοκής.

Όταν το καρφωτικό πιστόλι παθαίνει εμπλοκή, πραγματοποιήστε τα εξής:

Εισάγετε μια μικρή ράβδο ή κάτι παρόμοιο στη θύρα

εκτίναξης και χτυπήστε τη ελαφρά με ένα σφυρί για να μαζέψετε τον οδηγό. Χρησιμοποιήστε πένσα για να λυγίσετε το καρφί που έχει εμπλακεί ώστε να βγει η κεφαλή του καρφιού από τη σχισμή στον οδηγό. Κατόπιν, βγάλετε το καρφί που έχει εμπλακεί. (Εικ. 20)

## Καρφιά (Εικ. 21)

Να χειρίζεστε τις ταινίες καρφιών και το κουτί τους προσεκτικά. Αν ο χειρισμός των ταινιών καρφιών γίνει με ακατάλληλο τρόπο, μπορεί να χάσουν το σχήμα τους ή να σπάσει το συνδετικό τους με αποτέλεσμα την ανεπαρκή τροφοδοσία καρφιών.

Αποφύγετε να αποθηκεύετε καρφιά σε μέρη με πολύ υγρασία ή υψηλή θερμοκρασία ή σε μέρη που είναι εκτεθειμένα σε άμεση ηλιοβολή. (Εικ. 22)

## ΣΥΝΤΗΡΗΣΗ

### ΠΡΟΣΟΧΗ:

- Να αποσυνδέετε πάντοτε τον εύκαμπτο σωλήνα του αέρα πριν επιχειρήσετε να εκτελέσετε έλεγχο ή συντήρηση.
- Μην χρησιμοποιήσετε βενζίνη, βενζόλη, διαλυτικό, αλκοόλη ή κάτι παρόμοιο. Μπορεί να προκληθεί αποχρωματισμός, παραμόρφωση ή ρωγμές.

## Συντήρηση του καρφωτικού εργαλείου

Πριν από τη λειτουργία, να ελέγχετε πάντοτε τη γενική κατάσταση του εργαλείου αλλά και αν οι βίδες είναι χαλαρές. Σφίξτε όπως απαιτείται. (Εικ. 23)

Με το εργαλείο αποσυνδεδεμένο, πραγματοποιήστε καθημερινό έλεγχο για να επιβεβαιώσετε ότι το στοιχείο επαφής και η σκανδάλη κινούνται ελεύθερα. Μη χρησιμοποιείτε το εργαλείο αν κολλάει ή εμπλέκεται το στοιχείο επαφής ή η σκανδάλη. (Εικ. 24)

Να βεβαιώνετε ότι η σκανδάλη είναι κλειδωμένη όταν ο μοχλός αλλαγής είναι τοποθετημένος στη θέση ☹. (Εικ. 25)

Όταν το εργαλείο δεν πρόκειται να χρησιμοποιηθεί για μεγάλο χρονικό διάστημα, λιπάνετε το εργαλείο χρησιμοποιώντας λάδι για εργαλεία πεπιεσμένου αέρα και αποθηκεύστε το εργαλείο σε ασφαλές μέρος. Να αποφεύγετε την έκθεση στο άμεσο ηλιακό φως ή/και σε περιβάλλον με υγρασία ή ζέση. (Εικ. 26 και 27)

## Συντήρηση του συμπιεστή, του σετ αέρα και του εύκαμπτου σωλήνα αέρα (Εικ. 28 και 29)

Μετά από τη λειτουργία, να αποστραγγίζετε πάντοτε τη δεξαμενή του συμπιεστή και το φίλτρο αέρα. Αν εισέλθει υγρασία στο εργαλείο, μπορεί να έχει ως αποτέλεσμα ανεπαρκή απόδοση και πιθανή βλάβη του εργαλείου. Να ελέγχετε τακτικά να δείτε αν υπάρχει αρκετό λάδι για εργαλεία πεπιεσμένου αέρα στο λιπαντήρα του σετ αέρα. Αν δεν διατηρείται η επαρκής λίπανση, θα προκληθεί γρήγορη φθορά των στρογγυλών δαχτυλίων. (Εικ. 30) Να διατηρείτε τον εύκαμπτο σωλήνα αέρα μακριά από τη θερμότητα (θερμοκρασία υψηλότερη από 60°C, ή 140°F) και μακριά από χημικές ουσίες (διαλύτες, ισχυρά οξέα ή ισχυρές βάσεις). Επίσης, να δρομολογείτε τον εύκαμπτο σωλήνα μακριά από εμπόδια στα οποία θα μπορούσε να εμπλακεί επικίνδυνα κατά τη λειτουργία. Οι εύκαμπτοι

σωλήνες πρέπει να δρομολογούνται μακριά από αιχμηρά άκρα και περιοχές που μπορεί να οδηγήσουν σε βλάβη ή τρίψιμο του εύκαμπτου σωλήνα. **(Εικ. 31)**  
Για να διατηρείται η ΑΣΦΑΛΕΙΑ και η ΑΞΙΟΠΙΣΤΙΑ του προϊόντος, οι εργασίες επισκευής, καθώς και οποιαδήποτε άλλη εργασία συντήρησης και ρύθμισης, θα πρέπει να εκτελούνται σε εξουσιοδοτημένα κέντρα εξυπηρέτησης της Makita, και πάντοτε με τη χρήση ανταλλακτικών της Makita.

## ΠΡΟΑΙΡΕΤΙΚΑ ΑΞΕΣΟΥΑΡ

### ΠΡΟΣΟΧΗ:

- Συνιστάται η χρήση αυτών των αξεσουάρ ή εξαρτημάτων με το εργαλείο της Makita, όπως περιγράφεται στο παρόν εγχειρίδιο. Αν χρησιμοποιήσετε άλλα αξεσουάρ ή εξαρτήματα μπορεί να παρουσιαστεί κίνδυνος για πρόκληση τραυματισμού προσώπων. Να χρησιμοποιείτε τα αξεσουάρ και τα εξαρτήματα μόνο για το σκοπό για τον οποίο προορίζονται.

Αν χρειάζεστε κάποια βοήθεια ή περισσότερες πληροφορίες σχετικά με τα αξεσουάρ αυτά, απευθυνθείτε στο πλησιέστερο κέντρο εξυπηρέτησης της Makita.

- Καρφιά
- Εύκαμπτοι σωλήνες αέρα
- Γυαλιά ασφάλειας

### ΣΗΜΕΙΩΣΗ:

- Ορισμένα από τα στοιχεία της λίστα μπορεί να περιέχονται στην συσκευασία του εργαλείου ως κανονικά αξεσουάρ. Αυτά ενδέχεται να διαφέρουν από χώρα σε χώρα.

### Θόρυβος

ENG905-1

Το σύνθετο σταθμισμένο επίπεδο θορύβου που έχει καθοριστεί σύμφωνα με την EN ISO 11148:

#### Μοντέλο AN923

Επίπεδο ηχητικής πίεσης ( $L_{pA}$ ): 89 dB (A)  
Επίπεδο ηχητικής ισχύος ( $L_{WA}$ ): 102 dB (A)  
Αβεβαιότητα (K): 3 dB (A)

#### Μοντέλο AN943

Επίπεδο ηχητικής πίεσης ( $L_{pA}$ ): 92 dB (A)  
Επίπεδο ηχητικής ισχύος ( $L_{WA}$ ): 105 dB (A)  
Αβεβαιότητα (K): 3 dB (A)

**Να φοράτε ωτοασπίδες.**

### Δόνηση

ENG904-1

Η τιμή εκπομπής δόνησης έχει καθοριστεί σύμφωνα με το EN ISO 11148:

#### Μοντέλο AN923

Εκπομπή δόνησης ( $a_h$ ): 4,0 m/s<sup>2</sup>  
Αβεβαιότητα (K): 1,5 m/s<sup>2</sup>

#### Μοντέλο AN943

Εκπομπή δόνησης ( $a_h$ ): 3,5 m/s<sup>2</sup>  
Αβεβαιότητα (K): 1,5 m/s<sup>2</sup>

ENG901-1

- Η δηλωθείσα τιμή των παραγομένων κραδασμών έχει καταμετρηθεί σύμφωνα με την τυποποιημένη μέθοδο δοκιμασίας και μπορεί να χρησιμοποιηθεί για την σύγκριση ενός εργαλείου με ένα άλλο.
- Η δηλωθείσα τιμή των παραγομένων κραδασμών μπορεί επίσης να χρησιμοποιηθεί για μια

προκαταρκτική αξιολόγηση της έκθεσης στους κραδασμούς.

### ΠΡΟΕΙΔΟΠΟΙΗΣΗ:

- Η εκπομπή κραδασμών κατά τη διάρκεια της πραγματικής χρήσης του ηλεκτρικού εργαλείου μπορεί να διαφέρει από τη δηλωθείσα τιμή των εκπομπών, ανάλογα με τον τρόπο με τον οποίο χρησιμοποιείται το εργαλείο.
- Φροντίστε να λάβετε τα μέτρα ασφαλείας που απαιτούνται για την προστασία του χρήστη που βασίζονται σε μια εκτίμηση της έκθεσης σε πραγματικές συνθήκες χρήσης (λαμβάνοντας υπόψη όλα τα μέρη του κύκλου λειτουργίας, όπως είναι οι περιπτώσεις κατά τις οποίες το εργαλείο είναι απενεργοποιημένο και όταν λειτουργεί στο ρελαντί επιπρόσθετως του χρόνου κατά τον οποίο το εργαλείο βρίσκεται σε χρήση).

### ΕΚ Δήλωση συμμόρφωσης Για Ευρωπαϊκές χώρες μόνο

Η δήλωση συμμόρφωσης ΕΚ περιλαμβάνεται ως παράρτημα Α σε αυτό το εγχειρίδιο οδηγιών.

**Makita Europe N.V.** Jan-Baptist Vinkstraat 2,  
3070 Kortenberg, Belgium

**Makita Corporation** 3-11-8, Sumiyoshi-cho,  
Anjo, Aichi 446-8502 Japan