

Ref.3130xxx EXPRESS SLING

INTERNATIONAL
CE + ANSI

Compact and robust 20 mm polyester webbing loops.

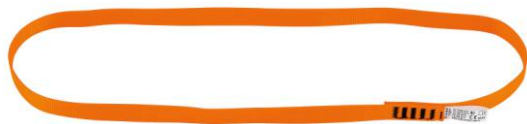
GENERAL CONSTRUCTION TOWERS/INDUSTRY ROPE ACCESS
SELF RESCUE TEAM RESCUE

Many certifications make them very versatile:

- EN 795/B and TS 16415 two persons anchoring device, with possibility of installation with double passage or girth hitch;
- ANSI Z359.18 Type A anchorage connector;
- EN 354 connection lanyard;
- EN 566 mountaineering loop

Color coded lengths:

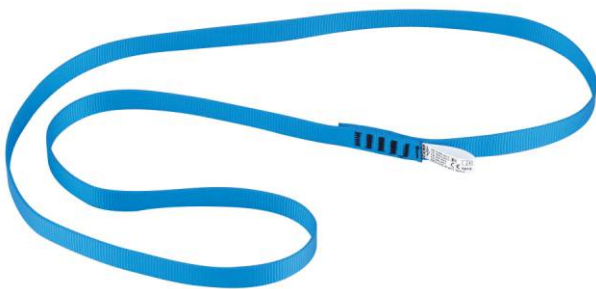
60 cm orange, 80 cm blue, 120 cm green, 160 cm red



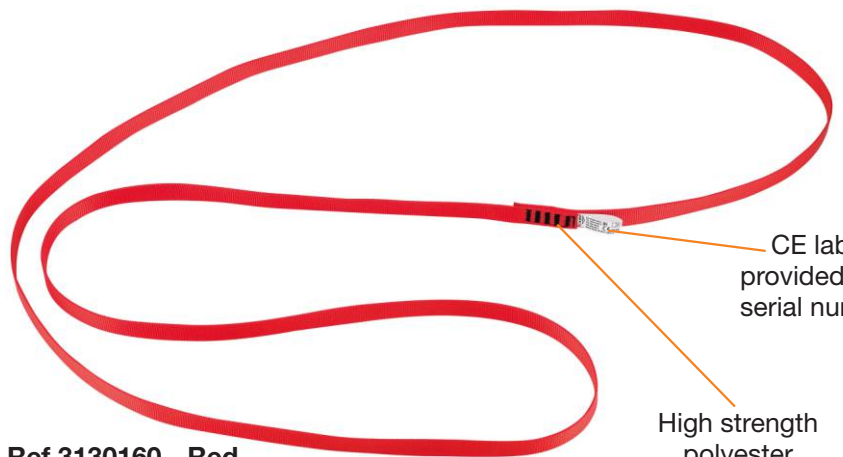
Ref.3130060 - Orange



Ref.3130120 - Green



Ref.3130080 - Blue



Ref.3130160 - Red

CE label provided with serial number

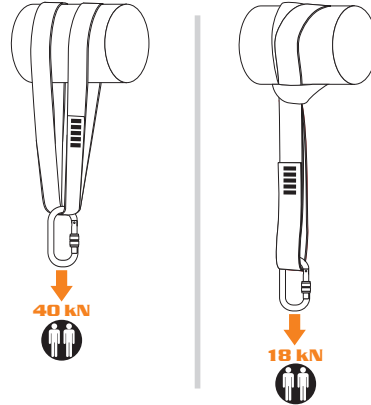
High strength polyester stitching

Ref.	Product name Nombre del producto	Weight Peso		Strength Resistencia	CE			STANDARD	ANSI
		g	oz		EN 354	EN 795/B	EN 566		
3130060	EXPRESS SLING 60 cm	55	1.9	25	•	•	•	TS 16415	Z359.18
3130080	EXPRESS SLING 80 cm	75	2.6	25	•	•	•	•	•
3130120	EXPRESS SLING 120 cm	110	3.9	25	•	•	•	•	•
3130160	EXPRESS SLING 160 cm	140	4.9	25	•	•	•	•	•

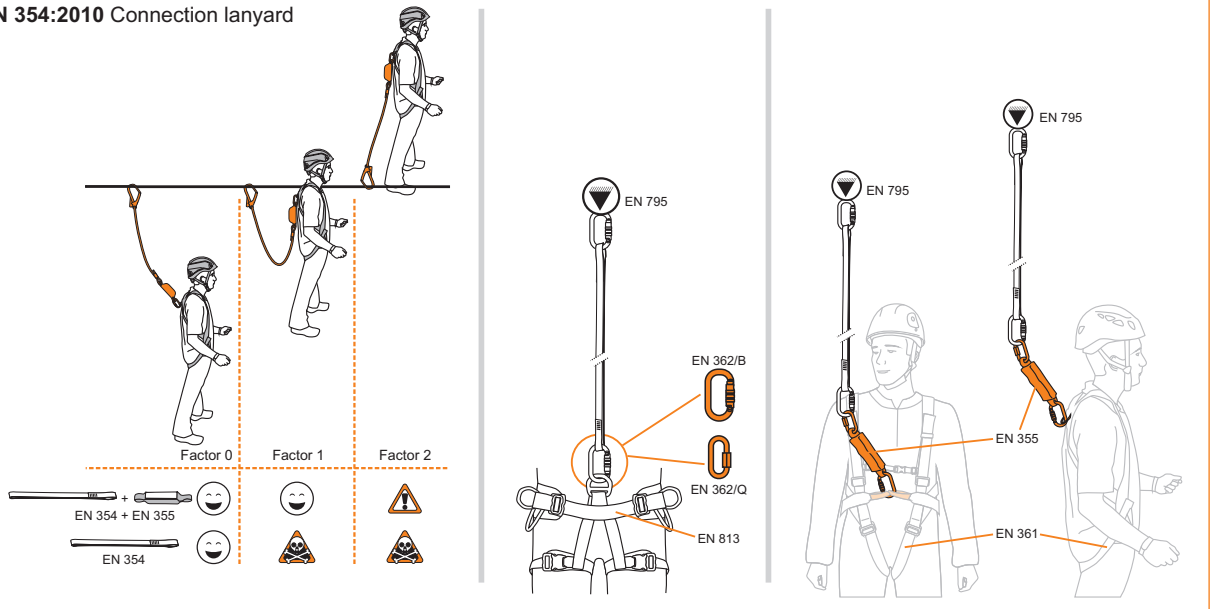
Ref.3130xxx EXPRESS SLING

INTERNATIONAL
CE + ANSI

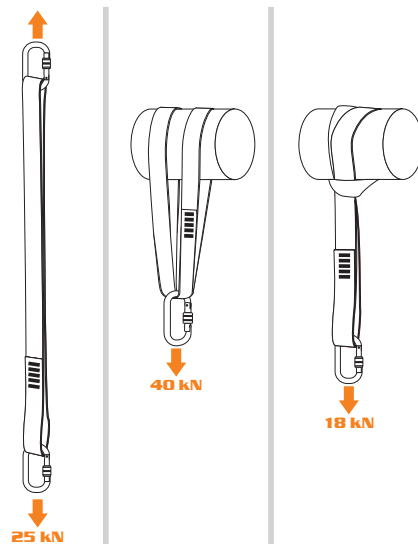
EN 795:2012/B - TS 16415:2013 Portable temporary anchor device



EN 354:2010 Connection lanyard



EN 566:2017 Mountaineering sling



ANSI Z359.18-2017 Type A Anchorage connector

