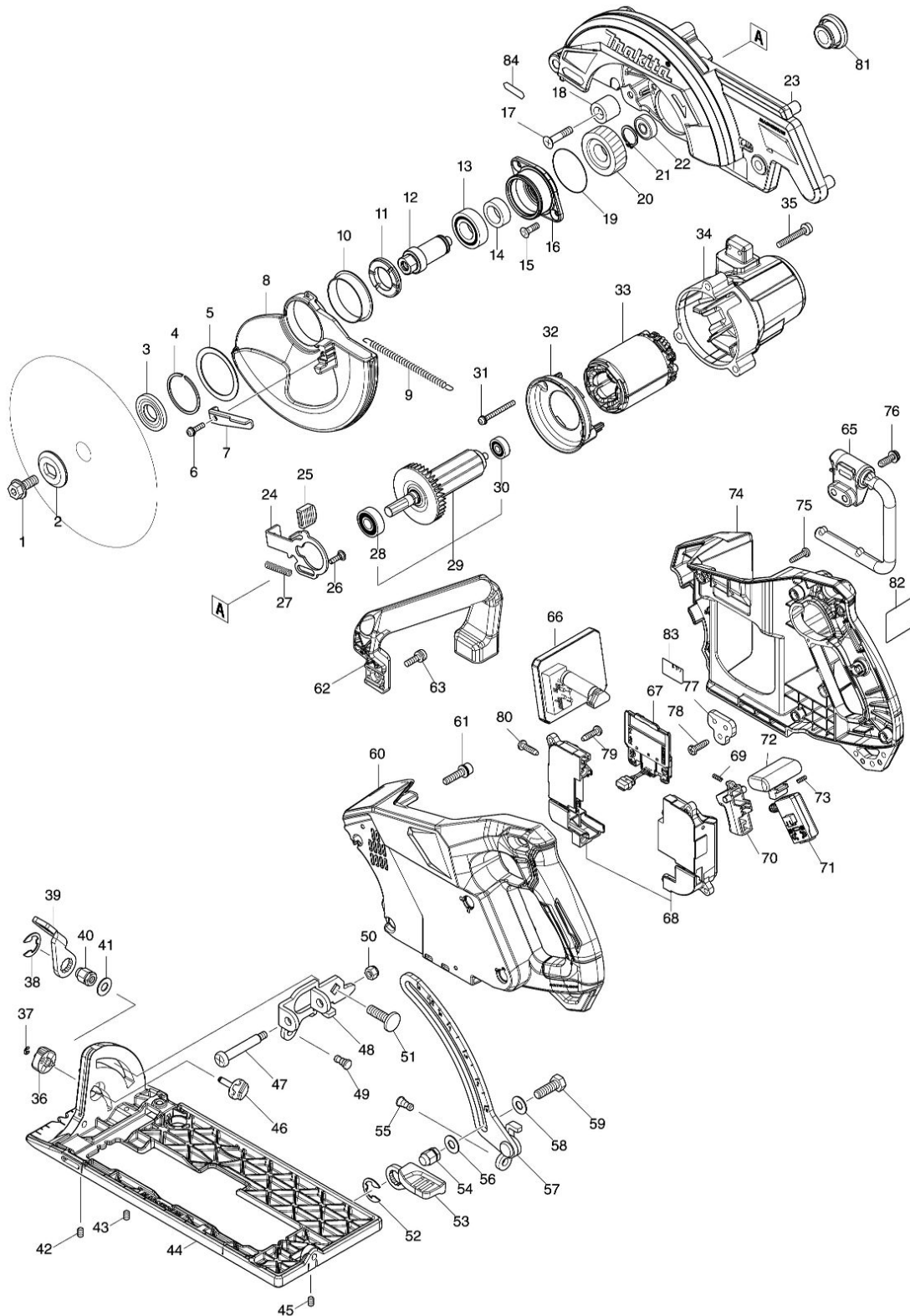


# Partdrawing for RS001GZ - Cirkelzaag



Model No.RS001G 185MM CORDLESS REAR HANDLE SAW



# Partdrawing for RS001GZ - Cirkelzaag



Nr. Part nr. Name